



Medical VESA Compatible Articulating Arm Rolling Floor Stand ADD-MAAVFL

INSTRUCTION MANUAL

Thank you for choosing CTA Digital's product. We hope that you will enjoy using it. Please follow the guidelines and instructions as laid out in this instruction manual.

Package Contents:

- | | | | | | | | | |
|----|------------------|----|----|-----------------|----|----|--|----|
| 01 | | X1 | 08 | | X1 | 16 | | X2 |
| | | | | (5/16"X19X1.5t) | | | | |
| 02 | | X1 | 09 | | X1 | 17 | | X2 |
| 03 | | X1 | 10 | | X2 | 18 | | X2 |
| 04 | | X1 | 11 | | X4 | 19 | | X1 |
| | (12X20X2t) | | 12 | | X6 | 20 | | X1 |
| 05 | | X1 | 13 | | X1 | 21 | | X1 |
| 06 | | X1 | 14 | | X1 | 22 | | X1 |
| | (Plastic washer) | | | (4mm) | | | | |
| 07 | | X1 | 15 | | X2 | | | |

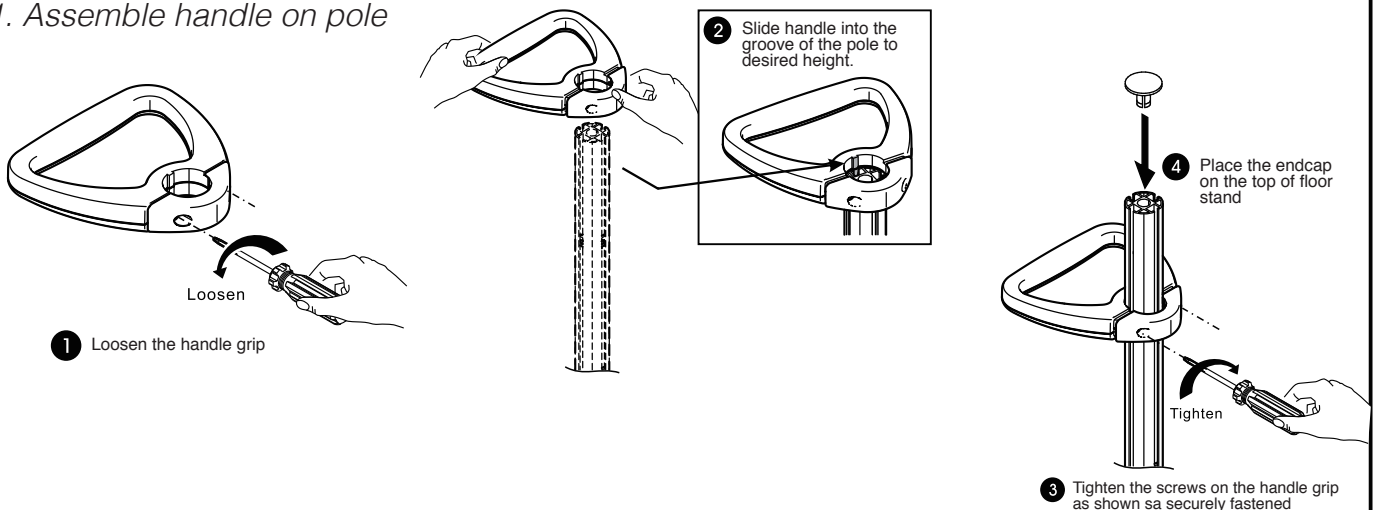


Caution

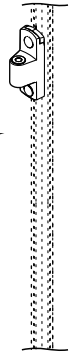
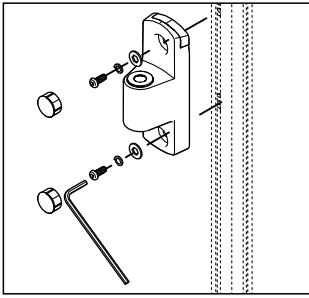
Please be sure to fasten all the screws securely before using. Failure to do so may compromise integrity.

Instructions:

1. Assemble handle on pole

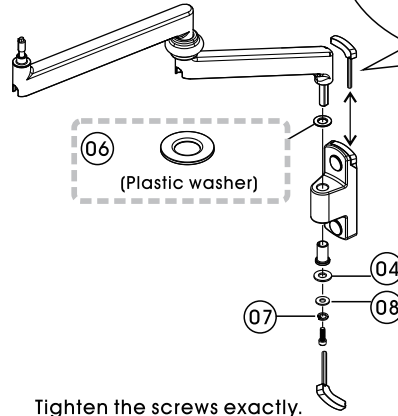


2. Screw on articulating arm canopy



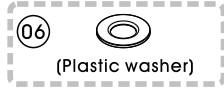
15		X2
16		X2
17		X2
18		X2

3. Insert arm portion into wall mount and tighten using allen key (as illustrated)



Tighten the screws exactly.

Please return back the Allen key into the hole as figure .

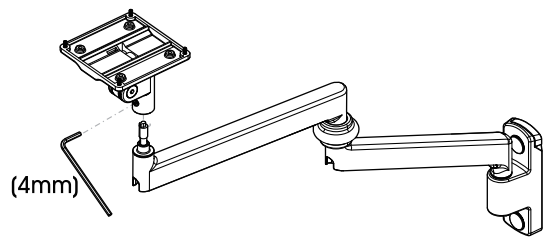
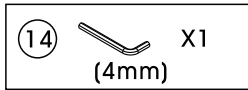


04

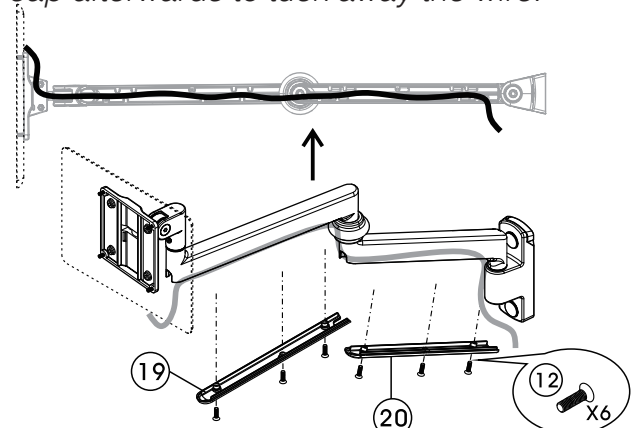
08

07

4. Insert VESA into the arm and use allen key to tighten security.



5. Optional - Cable Routing - Attach cable to device and route through the arm in the dedicated slot. (as shown) Screw on the slot cap afterwards to tuck away the wire.

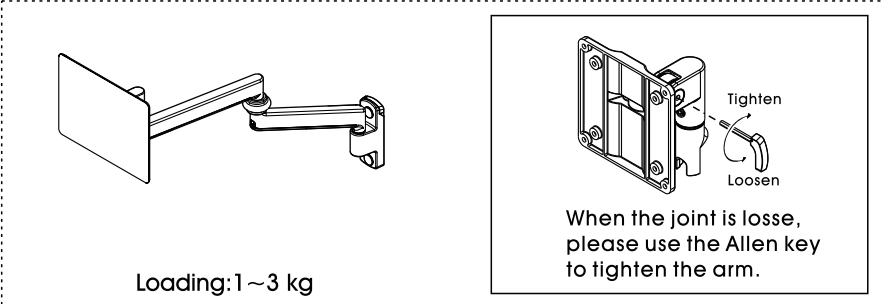


19

20

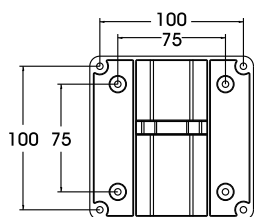
12 X6

A. How to tighten VESA joint



Loading: 1~3 kg

B. How to screw in VESA compatible item to VESA



75mmx75mm
100mmx100mm
VESA interface.

