

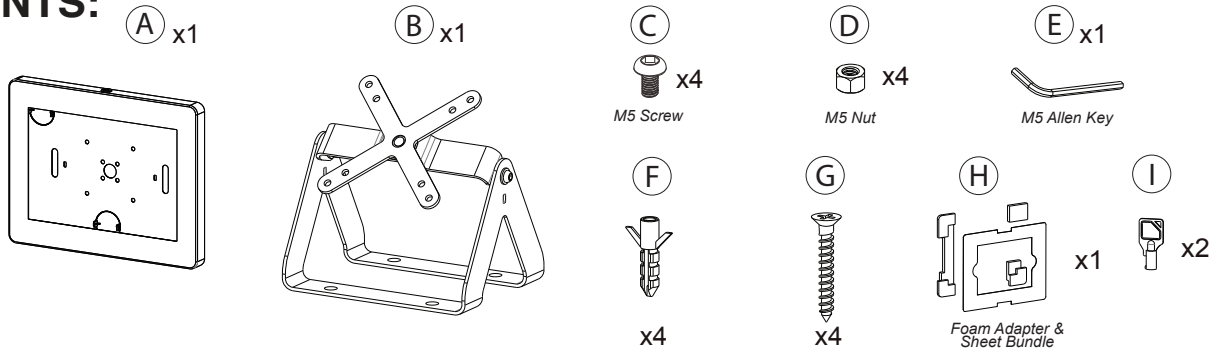


Full Rotation Desk Mount w/ Universal Security Enclosure

PAD-LOCVB / PAD- LOCVW

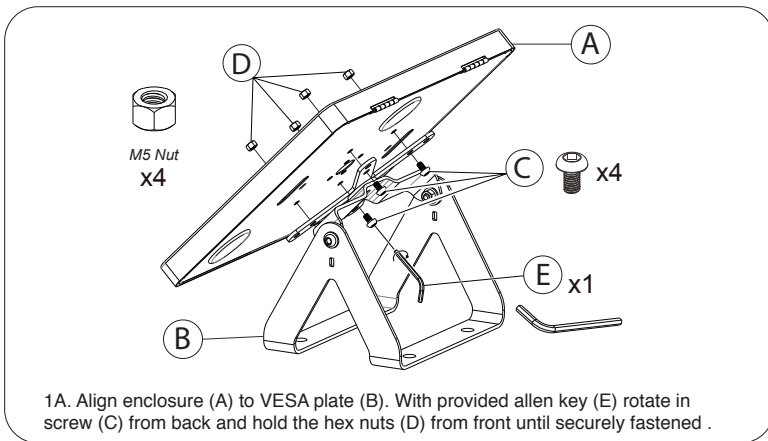
INSTRUCTION - MANUAL

CONTENTS:

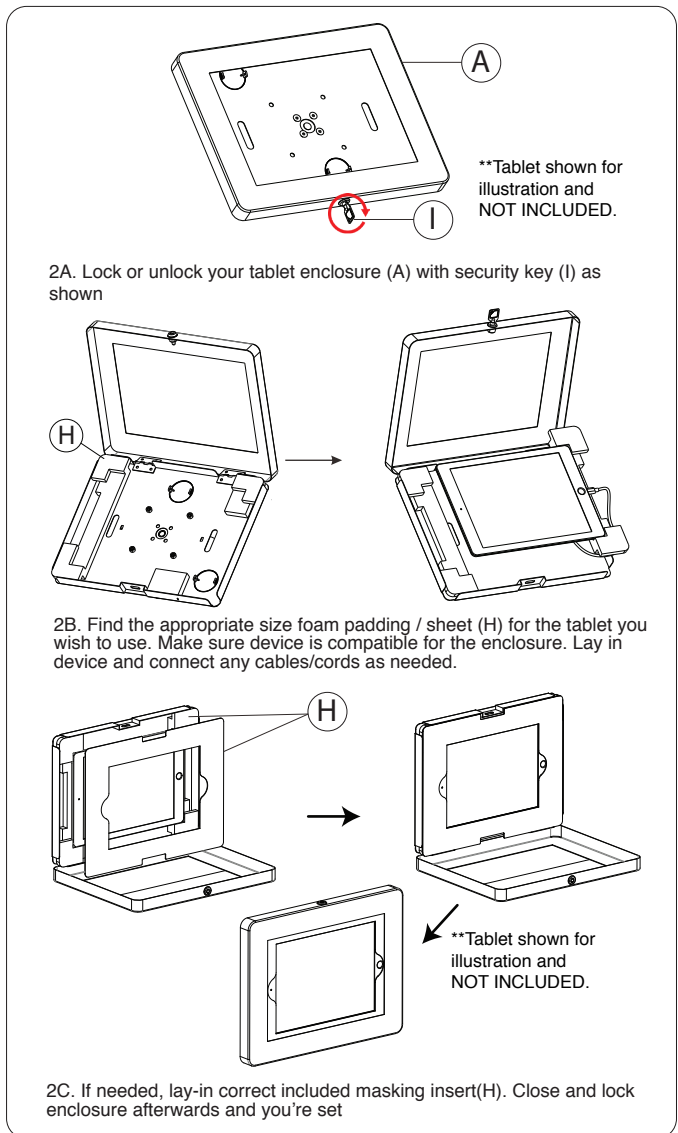


INSTALLATION:

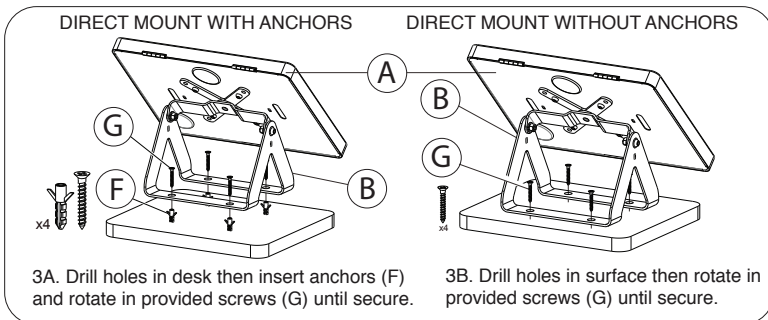
1. Attaching Enclosure to VESA



2. Setting up Device & Enclosure



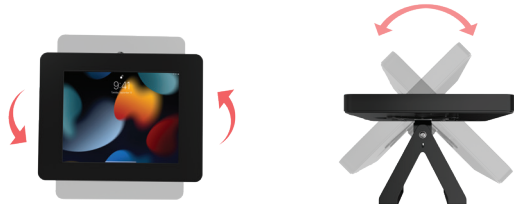
3. Mounting Installation:



Adjusting Angles and Orientation

Tilt up/down for preferred angles as needed. Rotate left and right for preferred orientation.

**Tablet shown for illustration and NOT INCLUDED.



**Tablet shown for illustration and NOT INCLUDED.