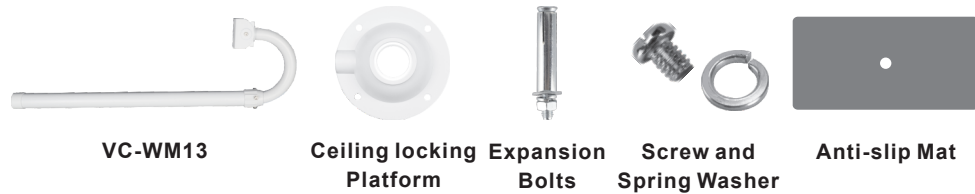


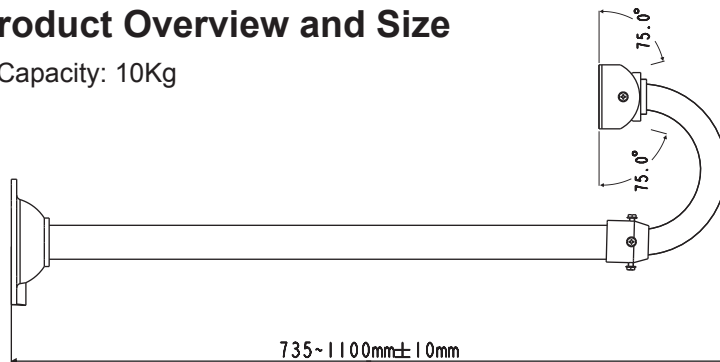
VC-WM13 Instruction for installation

1. Package Contents



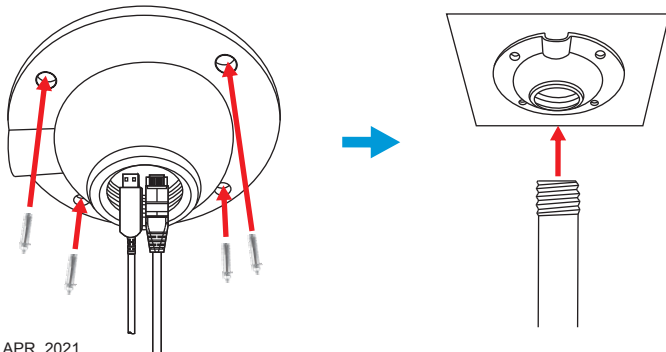
2. Product Overview and Size

Load Capacity: 10Kg

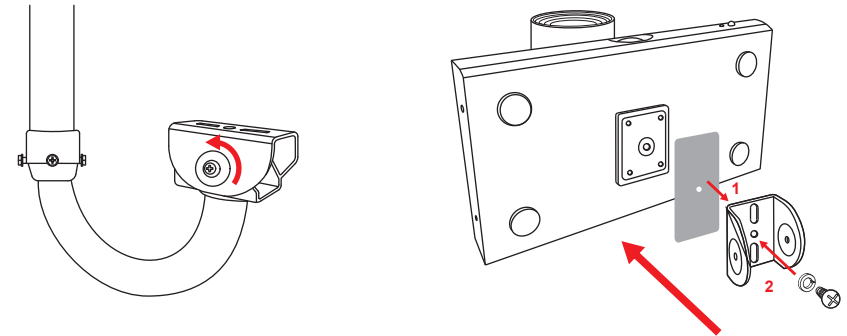


3. How to Connect

- 3.1 Use x4 pcs of expansion bolts to fix the ceiling locking platform to the ceiling
- Pass through the cable from the center hole of the ceiling locking platform and the J-shaped bracket
 - Screw VC-WM13 into the platform
- * Due to its aperture limitation, HDMI/RS-232 cable cannot pass through the center hole for organizing the cables



- 3.2 Loosen the screws on both sides to remove the camera locking platform. After sticking the anti-slip mats, use spring washers and screws one by one to mount the platform on the camera base.



- 3.3 Connect with the bracket and lock the screws on both sides.

- 3.4 Loosen screws (3 pcs) on the regulating ring a little bit, so that the bracket can stretch up and down to adjust the height.
- 3.5 After adjustment, tighten the screws to fix the mounting height.

