

# INSTALLATION INSTRUCTIONS

## C-DMM-3023 Flip up Dash Monitor Mount 2021-2024 Ford F-150 XL, Responder & SSV

**\*\*Does NOT work with OEM top center dash speaker.  
 OEM top Tray must be removed and not used. \*\***

### TOOLS REQUIRED:

Ratchet Wrench	Dash panel removal tool	Open End Wrench - 7/16"
Socket Set	Phillips screwdriver	Plastic cutting tool

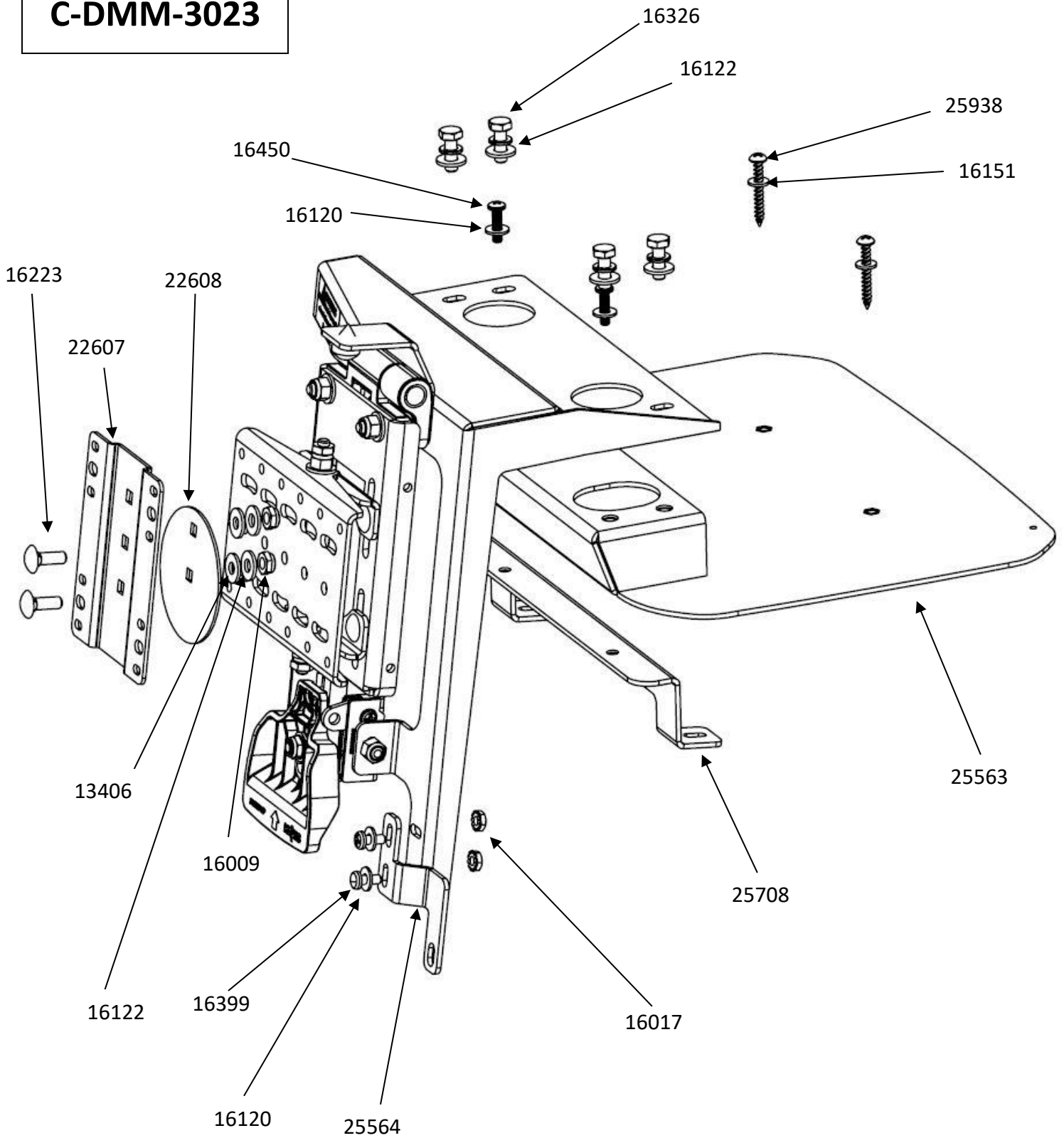
### **PARTS and MOUNTING HARDWARE:**

<u>QTY</u>	<u>DESCRIPTION</u>	<u>PART#</u>
1	Upper DMM mounting tray	25563
1	Lower mounting tab	25564
1	PVC Spacer	22608
1	VESA 75 swivel adaptor	22607
1	XL trim upper mounting bracket	25708
2	#8 x 1.5" Pan Head screw	25938
2	1/16" Nylon washer	13406
2	1/4" Nylock nut	16009
4	1/4" serrated nut	16013
2	10-32 Keps nut	16017
4	#10 Flat washer	16120
6	1/4" Flat washer	16122
2	#8 Flat washer	16151
2	1/4" x 3/4" Carriage bolt	16223
4	1/4" x 3/4" Hex head bolt	16326
2	10-32 x 1/2" Machine screw	16399
2	10-32 x 3/4" Machine screws	16450

### **Always!**

- Read all instructions before installing any Havis, Inc. products.
- **Check for obstructions (Wires, brake lines, fuel tank, etc.) before drilling any holes!**
  - Use hardware provided with install kit

**C-DMM-3023**





View of F-150 dash prior to install.



Remove (2) 7mm head fasteners at top center dash.



Lift off upper trim panel assembly.  
This panel will not be reused.



Remove trim around radio frame.



Unsnap trim around passenger vent assembly.



Unsnap and remove trim.





Remove OEM 7mm head fastener from above 12v socket.



Install lower mounting tab using 7mm fastener.



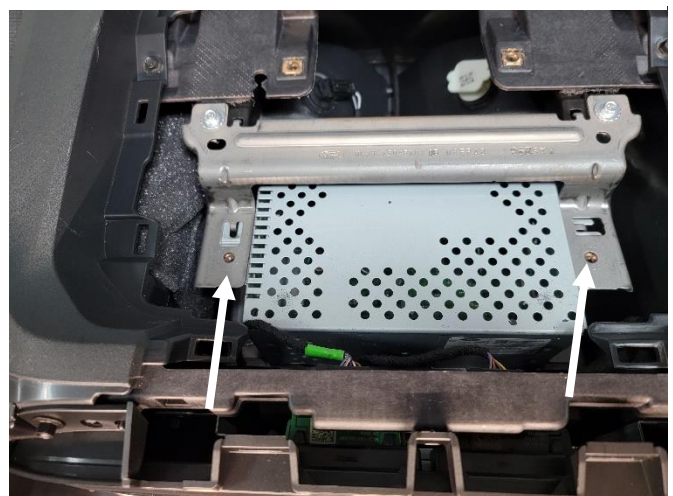
Temporarily reinstall the trim.



Mark location of trim coming into contact with lower mounting tab. Remove trim and cut away material as needed to clear bracket.



Reinstall previously removed trim.



Remove (2) 7mm head fasteners from the upper mounting area.

***On the Responder F-150, skip this step.***





Install upper mounting bracket using previously removed OEM fasteners.

***On the Responder F-150, skip this step.***



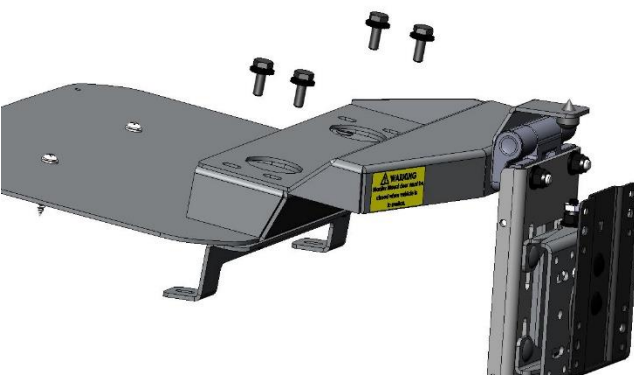
Place upper mounting tray onto dash.



Attach using #8 x 1.5" pan head sheet metal screws in the front with flat washers and 10-32 x 3/4" machine screws in the rear with flat washers



Reinstall previously removed trim around radio.

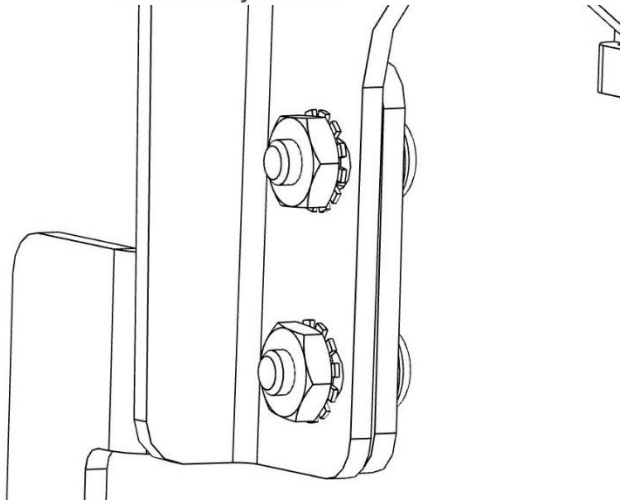


Attach DMM frame to upper mounting tray using (4) 1/4 x 3/4" bolts, split lock washers and flat washers



Attach frame support arm to lower mounting tab using (2) 10-32 x 1/2" machine screws, keps nuts and flat washers





View of frame and lower mounting tab attached with (2) 10-32 Keps nuts



Position VESA plate on back of Device as desired. Attach VESA plate with carriage bolts to the back of the dock. The gray PVC washer will go between this bracket and the DMM swivel plate.



Determine desired position for your specific computer and attach to DMM swivel plate using 1/4"x 3/4" carriage bolts, PVC spacer, nylon washers, steel washers, and nylock nuts.

Tighten so that the dock rotates smoothly.



Route wiring as needed along the frame of the DMM.



Confirm smooth left to right operation of the DMM.



Installation is now complete.