

TILTING FLAT PANEL TV MOUNT FOR 40-65" TELEVISIONS

User's Guide for Model No. TM35 v1381-01



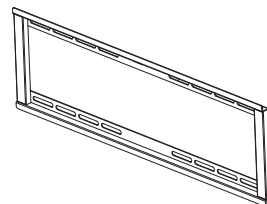
WARNINGS

- The wall mounted parts of the TV mount must be firmly attached to a concrete/brick/solid wood wall, or wall studs behind drywall.
- Tighten screws so that the wall plate is firmly attached, but do not overtighten. Overtightening can damage the screws and increase the chances of failure.
- Do not remove or loosen any screws until they are no longer engaged with the mount. Doing so may cause the screen to fall.
- It is highly recommended to have this mount professionally installed.
- **Supports VESA up to 600 x 400mm.**
- **This mount is designed to hold a maximum of 132 lbs (60 kg).**

PARTS

A		M8x15	x4	H			x1
B		M6x15	x4	I		M6x10	x2
C		M5x15	x4	J		Mag Level	x1
D		Ø5	x4	K		M6x50	x6
E		Ø6	x4	L		Ø10x50	x6
F		Ø8	x4	M			x2
G		Ø15xØ8x4.5	x4	N		M6x15	x2
--				O		M6x38	x2

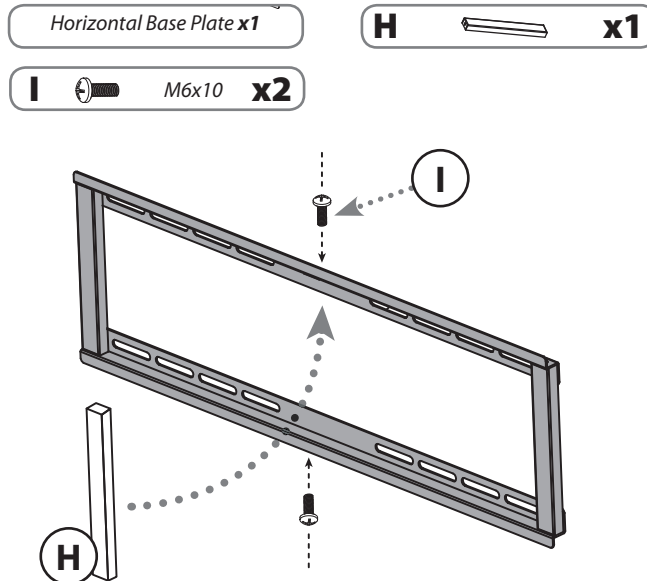
Note: Parts A-G are used to attach your TV to the brackets in Step 4, but you will not need all of them. Find and use the set that best fits your specific TV.



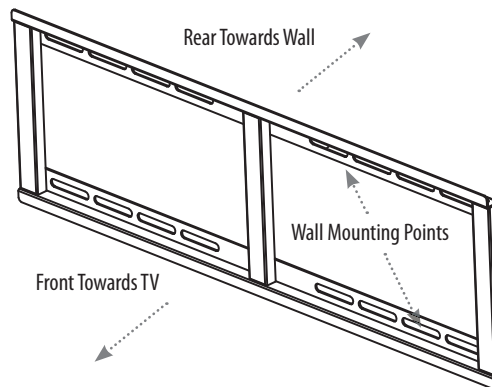
Horizontal Base Plate x1

STEP 1

Horizontal Base Plate



- The horizontal base plate is already partially assembled from the factory. Screw the remaining vertical bar into the center section of the base plate as shown. Note orientation of parts.

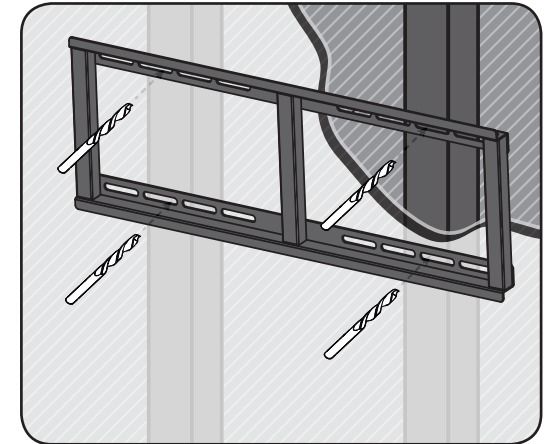


- Assembled Horizontal Base Plate. Note mounting points which will be used for Step 2.

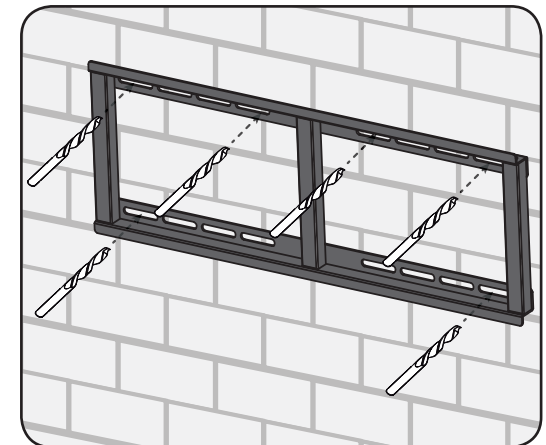
STEP 2

Pre-drill Holes for Base Plate

- Drill holes for the Base Plate to attach to the wall, using exact measurements based on where you want to mount the Horizontal Base Plate. Only drill into a solid wall, or studs (behind drywall). **DO NOT DRILL AND HANG THE BASE PLATE ON DRYWALL OR SHEETROCK.** It is not strong enough to support a TV and will cause damage.



- Cutaway of drywall with studs shown behind. Drill four holes for stud application. Use a stud finder to locate and **ONLY DRILL INTO STUDS!**
- Use a 5/32" drill bit.



- Concrete/Brick wall shown. Drill six holes for solid wall application.
- Use a 3/8" or 10mm drill bit.

TOOLS

The following tools are recommended for this installation:

- Drill
- 5/32" drill bit for drywall
- 3/8" or 10mm drill bit for concrete
- Stud finder
- Phillips screwdriver

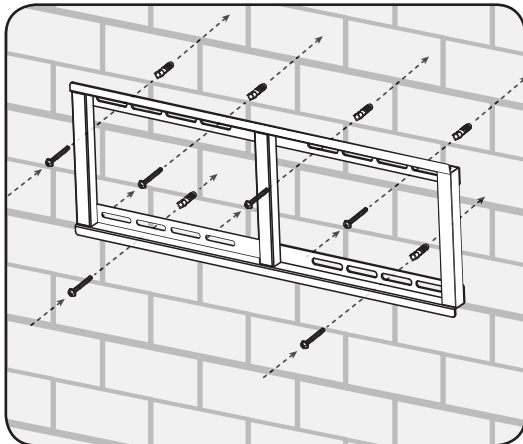
TILTING FLAT PANEL TV MOUNT FOR 40-65" TELEVISIONS

User's Guide for Model No. TM35 v1381-01

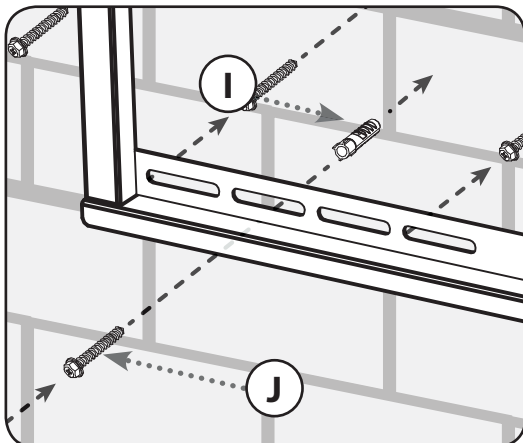


STEP 3

Attach Base Plate to Wall



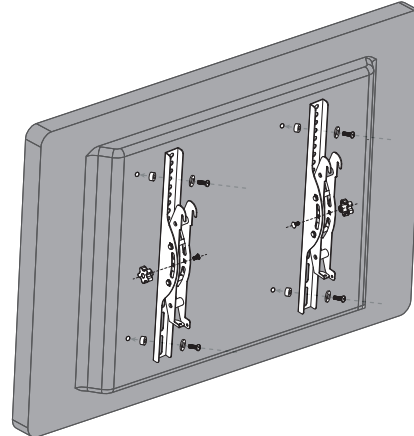
- Attach the Horizontal Base Plate to the wall using the holes drilled in Step 2. Use the included level to ensure the Horizontal Base Plate is correctly aligned and square.
- If attaching to a solid wall, use all six of Parts K and L to mount. If attaching to studs, use four.



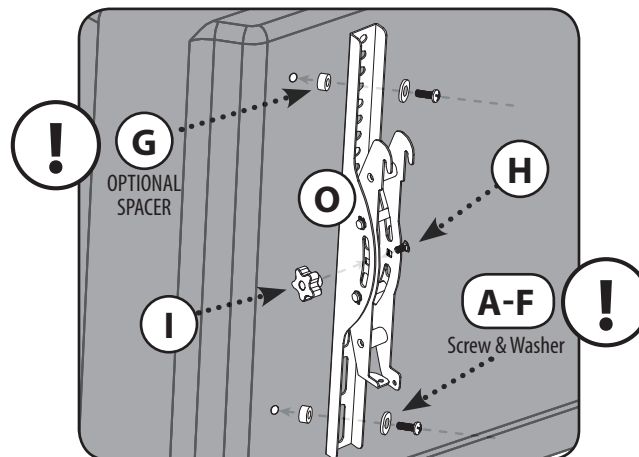
- Insert wall anchors into the holes drilled in Step 2, then screw the base plate firmly to the wall with the supplied screws.

STEP 4

Attach Brackets to Television

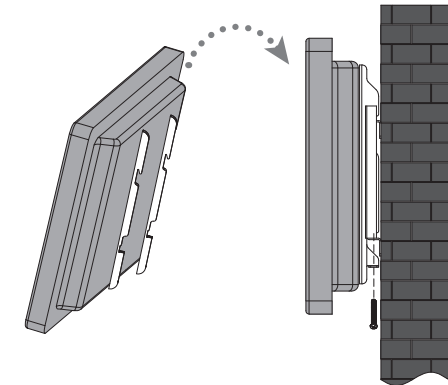


- Attach the two brackets to the rear of your television, making sure the claw of the bracket is in the upper position.
- Use the included screws and washers (Parts A-F) to secure the bracket to your TV. Find the set that fits your TV and discard the rest.
- The rubber washers (Part G) can be used as a spacer **between the TV body and the mounting brackets**, if the mounting holes on the TV are too shallow for the included screws.

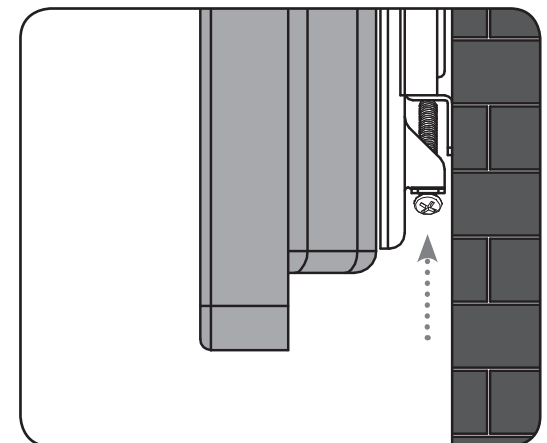


STEP 5

Attach Television to Wall



- Attach the TV/brackets to the Horizontal Base Plate on the wall, making sure to catch the top claw of the bracket on the rim of the upper base plate. Use the two long safety screws to tighten the brackets to the base.
- It is highly recommended to use at least two people to hang the TV.



- Tighten the two safety screws on the bottom of the bracket until they are **FIRM** against base plate. These screws secure the TV to the base plate and ensure it will not move or shift after installation.