

Read the entire instruction manual before you start installation and assembly. If you have any question regarding any of the instructions or warnings, please contact us.

Unpacking

- Carefully remove the contents and lay them out on cardboard or other protective surface
- Check package contents against the parts list to ensure that all components are received undamaged. Do not use damaged or defective parts
- Ensure that you have received all parts according to the component checklist prior to installation. If any parts are missing or faulty, please contact us.

CAUTION:

Using the products heavier than the indicated weights as rated may result in instability and possible injury.

- Mount must be attached as specified in assembly instructions. Improper installation may result in damage or serious personal injury.
- Safety gear and proper tools must be used. This product should only be installed by professionals.
- This product is designed to be installed on wood stud walls, solid concrete walls or brick walls.
- Make sure that the supporting surface will safely support the combined weight of the equipment and all attached hardware and components.
- Use the mounting screws provided and DO NOT OVER TIGHTEN mounting screws
- This product contains small items that could be a choking hazard if swallowed. Keep these items away from children.
- This product is intended for indoor use only. Using this product outdoors could lead to product failure and personal injury.

MAINTENANCE

Check that the bracket is secure and safe to use at regular intervals (at least every three months)

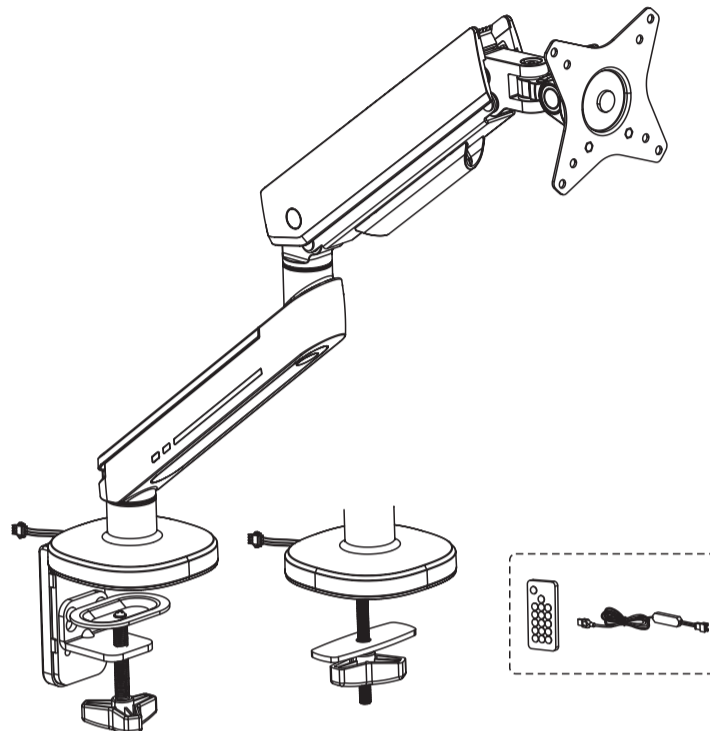
Support

For more info or tech support <http://www.siig.com/support>



Single-Monitor Arm Desk Mount with Gaming RGB Lighting

Installation Guide



TWO YEAR
Manufacturer
Warranty

VESA Compatible
75x75 100x100

34"
MAX
FLAT/CURVED

2-9kg
(4.4-19.8lbs)
RATED

P/N: CE-MT3J11-S1
04-1350A

6

To properly balance the arm with monitors mounted, adjust the spring tension using the supplied Allen Key as follows:

First, position and firmly hold the arm horizontally as shown. Ask for assistance should you require it.

If the arm **drops**, turn the adjustment screw clockwise until it stays in a horizontal position.

If the arm **rises**, turn the adjustment screw counter-clockwise until it stays in a horizontal position.

CAUTION: To avoid damage to monitors or mount, always keep the arm in a horizontal position while making adjustments. Again, ask for assistance if required.

CAUTION: DO NOT over tighten the screws.

7

Store the Allen Keys in the tool holder for future use.

8

CAUTION: DO NOT use the display beyond the arrow range, avoid tipping.

9

Note: If the display does not stop at your desired position, tighten the screws as shown.

Note: If the display does not stop at your desired position, tighten the screws as shown.

- The remote control is provided for lighting control.
- Stick the remote control to the magnet pad on the monitor arm when not in use.

Note: Finish step 1 before connecting USB to your appliances.

Note: Remove the plastic battery insert prior to using the remote.

- 1 On/Off
- 2 Effect Speed +/-
- 3 Effect Mode +/-
- 4 Short Press 1 Time: automatic effect show
Short Press 5 Times : 7 single-color light show
- 5 Brightness +/-
- 6 Lock/Unlock The Remote
Long press 5 seconds remote control one to one match, again press 5 seconds to cancel the match.
- 7 Set
At automatic playback mode, press the "Set" button once, then "Lock" button to capture the current effect loop play.
- 8 Steady Single Colors

