

Read the entire instruction manual before you start installation and assembly. If you have any question regarding any of the instructions or warnings, please contact us.

### Unpacking

- Carefully remove the contents and lay them out on cardboard or other protective surface
- Check package contents against the parts list to ensure that all components are received undamaged. Do not use damaged or defective parts
- Ensure that you have received all parts according to the component checklist prior to installation. If any parts are missing or faulty, please contact us.

### CAUTION:

Using the products heavier than the indicated weights as rated may result in instability and possible injury.

- Mount must be attached as specified in assembly instructions. Improper installation may result in damage or serious personal injury.
- Safety gear and proper tools must be used. This product should only be installed by professionals.
- This product is designed to be installed on wood stud walls, solid concrete walls or brick walls.
- Make sure that the supporting surface will safely support the combined weight of the equipment and all attached hardware and components.
- Use the mounting screws provided and DO NOT OVER TIGHTEN mounting screws
- This product contains small items that could be a choking hazard if swallowed. Keep these items away from children.
- This product is intended for indoor use only. Using this product outdoors could lead to product failure and personal injury.

### MAINTENANCE

Check that the bracket is secure and safe to use at regular intervals (at least every three months)

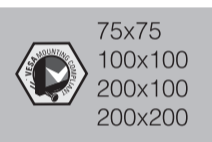
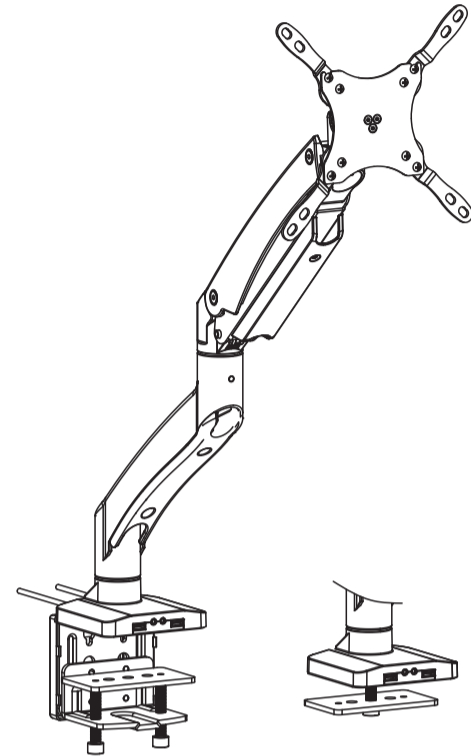
### Support

For more info or tech support <http://www.siig.com/support>



# Heavy Duty Gas Spring Aluminum Desk Monitor Arm

## Installation Guide



P/N: CE-MT3H11-S1  
04-1349A

**6**

To properly balance the arm with monitors mounted, adjust the spring tension using the supplied Allen Key as follows: First, position and firmly hold the arm horizontally as shown.

**CAUTION:** To avoid damage to monitors or mount, always keep the arm in a horizontal position while making adjustments. Again, ask for assistance if required.

- ➕ If the arm **droops**, turn the adjustment screw **counter-clockwise** until it stays in a horizontal position.
- ➔ If the arm **rises**, turn the adjustment screw **clockwise** until it stays in a horizontal position.

**CAUTION:** DO NOT over tighten the screws.

If the display does not stop at your desired **ROTATING POSITION**, tighten the screws as shown.

If the display does not stop at your desired **TILTING POSITION**, tighten the screws as shown.

**7**

**8**

Please DO NOT rotate monitor past rear edge of desk. Or else it will create an unstable situation and may cause equipment tipover.

±90°/180°

±45°/-30°

