



ThinkSystem ST250 Maintenance Manual



Machine Types: 7Y45 and 7Y46

Note

Before using this information and the product it supports, be sure to read and understand the safety information and the safety instructions, which are available at:

http://thinksystem.lenovofiles.com/help/topic/safety_documentation/pdf_files.html

In addition, ensure that you are familiar with the terms and conditions of the Lenovo warranty for your server, which can be found at:

<http://datacentersupport.lenovo.com/warrantylookup>

Fourteenth Edition (August 2021)

© Copyright Lenovo 2018, 2021.

LIMITED AND RESTRICTED RIGHTS NOTICE: If data or software is delivered pursuant to a General Services Administration (GSA) contract, use, reproduction, or disclosure is subject to restrictions set forth in Contract No. GS-35F-05925.

Contents

Safety iii

Safety inspection checklist iv

Chapter 1. Introduction 1

Server form factor 3

Specifications 3

 Particulate contamination 8

Firmware updates 9

Tech Tips 13

Security advisories 13

Power on the server 13

Power off the server 14

Chapter 2. Server components 15

Front view 15

Front panel 20

Server locks 22

Rear view 24

Rear view LEDs 26

System board components 29

System board jumpers 30

Internal cable routing 31

 Fan power cable 31

 Front panel 32

 Optical drive 34

 Tape drive 35

 Redundant power supply 36

 Fixed power supply 38

 Simple-swap-drive backplate 39

 Hot-swap-drive backplane 41

Parts list 48

 Power cords 52

Chapter 3. Hardware replacement procedures 53

Installation guidelines 53

 System reliability guidelines 54

 Working inside the server with the power on 55

 Handling static-sensitive devices 55

3.5-inch/2.5-inch drive cage replacement 55

 Remove the 3.5-inch/2.5-inch drive cage 55

 Install the 3.5-inch/2.5-inch drive cage 57

2.5-inch/3.5-inch hot-swap drive backplane replacement 58

 Remove the 3.5-inch/2.5-inch hot-swap drive backplane 58

 Install the 3.5-inch/2.5-inch hot-swap drive backplane 59

3.5-inch simple-swap drive backplate replacement 60

 Remove the 3.5-inch simple-swap drive backplate 61

 Install the 3.5-inch simple-swap drive backplate 62

 2.5-inch SSD replacement from 3.5-inch drive bay 63

CMOS battery (CR2032) replacement 66

 Remove the CMOS battery (CR2032) 66

 Install the CMOS battery (CR2032) 68

DIMM replacement 70

 Remove a DIMM 70

 DIMM installation rules 71

 Install a DIMM 72

Drive replacement 73

 Remove a simple-swap drive 73

 Install a simple-swap drive 75

 Remove a hot-swap drive 76

 Install a hot-swap drive 78

Fan replacement 79

 Remove the front system fan 80

 Install the front system fan 81

 Remove the rear system fan 82

 Install the rear system fan 83

Flash power module replacement 85

 Remove a flash power module 85

 Install a flash power module 87

Front bezel replacement 88

 Remove the front bezel 88

 Install the front bezel 89

Front door replacement 90

 Remove the front door 90

 Install the front door 91

Front panel board assembly replacement 92

 Remove the front panel board assembly 92

 Install the front panel board assembly 93

Heat sink and fan module replacement 94

 Remove the heat sink and fan module 95

 Install the heat sink and the fan module 96

Intrusion switch replacement 98

 Remove the intrusion switch 98

 Install the intrusion switch 99

M.2 drive replacement 99

 Remove the M.2 drive 99

 Install the M.2 drive 100

Optical drive replacement 101

Remove an optical drive	102
Install an optical drive	103
PCIe adapter replacement	106
Remove a PCIe adapter	106
Install a PCIe adapter	107
Power distribution board replacement	108
Remove the power distribution board	109
Install the power distribution board	110
Power supply unit replacement	113
Remove the fixed power supply	113
Install the fixed power supply	117
Remove a hot-swap power supply	121
Install the hot-swap power supply	125
Processor replacement	131
Remove the processor	131
Install the processor	132
Server cover replacement	134
Remove the server cover	134
Install the server cover	136
System board replacement	139
Remove the system board	140
Install the system board	141
Update the machine type and serial number	143
Enable TPM	144
Enable UEFI Secure Boot	148
Tape drive replacement	148
Remove a tape drive	149
Install a tape drive	150
TPM card replacement	151
Remove the TPM card	151
Install the TPM card	152
Complete the parts replacement	153

Chapter 4. Problem determination155

Event logs	155
General problem determination procedures	157
Resolving suspected power problems	157
Resolving suspected Ethernet controller problems	158
Troubleshooting by symptom	158
Power on and power off problems	159
Memory problems	160
Hard disk drive problems	161
Monitor and video problems	163
Keyboard, mouse, or USB-device problems	164
Optional-device problems	165
Serial-device problems	167
Intermittent problems	167
Power problems	168
Network problems	168
Observable problems	169
Software problems	171

Appendix A. Getting help and technical assistance173

Before you call	173
Collecting service data	174
Contacting Support	175

Appendix B. Notices177

Trademarks	178
Important notes	178
Telecommunication regulatory statement	178
Electronic emission notices	179
Taiwan BSMI RoHS declaration	179
Taiwan import and export contact information	179

Index181

Safety

Before installing this product, read the Safety Information.

قبل تركيب هذا المنتج، يجب قراءة الملاحظات الأمنية

Antes de instalar este produto, leia as Informações de Segurança.

在安裝本產品之前，請仔細閱讀 Safety Information（安全信息）。

安裝本產品之前，請先閱讀「安全資訊」。

Prije instalacije ovog produkta obavezno pročitajte Sigurnosne Upute.

Před instalací tohoto produktu si přečtěte příručku bezpečnostních instrukcí.

Læs sikkerhedsforskrifterne, før du installerer dette produkt.

Lees voordat u dit product installeert eerst de veiligheidsvoorschriften.

Ennen kuin asennat tämän tuotteen, lue turvaohjeet kohdasta Safety Information.

Avant d'installer ce produit, lisez les consignes de sécurité.

Vor der Installation dieses Produkts die Sicherheitshinweise lesen.

Πριν εγκαταστήσετε το προϊόν αυτό, διαβάστε τις πληροφορίες ασφάλειας (safety information).

לפני שתתקינו מוצר זה, קראו את הוראות הבטיחות.

A termék telepítése előtt olvassa el a Biztonsági előírásokat!

Prima di installare questo prodotto, leggere le Informazioni sulla Sicurezza.

製品の設置の前に、安全情報をお読みください。

본 제품을 설치하기 전에 안전 정보를 읽으십시오.

Пред да се инсталира овој продукт, прочитајте информацијата за безбедност.

بھت
ہو
ہو
ہو
ہو
ہو
ہو
ہو
ہو
ہو
ہو

Les sikkerhetsinformasjonen (Safety Information) før du installerer dette produktet.

Przed zainstalowaniem tego produktu, należy zapoznać się z książką "Informacje dotyczące bezpieczeństwa" (Safety Information).

Antes de instalar este produto, leia as Informações sobre Segurança.

Перед установкой продукта прочтите инструкции по технике безопасности.

Pred inštaláciou tohto zariadenia si pečítajte Bezpečnostné predpisy.

Pred namestitvijo tega proizvoda preberite Varnostne informacije.

Antes de instalar este producto, lea la información de seguridad.

Läs säkerhetsinformationen innan du installerar den här produkten.

ཐོན་ཁུངས་འདི་བདེ་སྤྱོད་མ་བྱས་གོང་། རྫོང་གི་ཡིད་གཟབ་
བྱ་འདྲ་མིན་ཡོད་པའི་འོད་སྤེར་བལྟ་དགོས།

Bu ürünü kurmadan önce güvenlik bilgilerini okuyun.

مەزكۇر مەھسۇلاتنى ئورنىتىشتىن بۇرۇن بىخەتەرلىك ئۇچۇرلىرىنى ئوقۇپ چىقىڭ.

Youq mwngz yungh canjbinj neix gaxgonq, itdingh aeu doeg aen
canjbinj soengq cungj vahgangj ancien siusik.

Safety inspection checklist

Use the information in this section to identify potentially unsafe conditions with your server. As each machine was designed and built, required safety items were installed to protect users and service technicians from injury.

Notes:

1. The product is not suitable for use at visual display workplaces according to §2 of the Workplace Regulations.
2. The set-up of the server is made in the server room only.

CAUTION:

This equipment must be installed or serviced by trained personnel, as defined by the NEC, IEC 62368-1 & IEC 60950-1, the standard for Safety of Electronic Equipment within the Field of Audio/Video, Information Technology and Communication Technology. Lenovo assumes you are qualified in the servicing of equipment and trained in recognizing hazards energy levels in products. Access to the equipment is by the use of a tool, lock and key, or other means of security, and is controlled by the authority responsible for the location.

Important: Electrical grounding of the server is required for operator safety and correct system function. Proper grounding of the electrical outlet can be verified by a certified electrician.

Use the following checklist to verify that there are no potentially unsafe conditions:

1. Make sure that the power is off and the power cord is disconnected.
2. Check the power cord.
 - Make sure that the third-wire ground connector is in good condition. Use a meter to measure third-wire ground continuity for 0.1 ohm or less between the external ground pin and the frame ground.
 - Make sure that the power cord is the correct type.

To view the power cords that are available for the server:

a. Go to:

<http://dcsc.lenovo.com/#/>

b. Click **Preconfigured Model** or **Configure to order**.

- c. Enter the machine type and model for your server to display the configurator page.
- d. Click **Power** → **Power Cables** to see all line cords.
 - Make sure that the insulation is not frayed or worn.
3. Check for any obvious non-Lenovo alterations. Use good judgment as to the safety of any non-Lenovo alterations.
4. Check inside the server for any obvious unsafe conditions, such as metal filings, contamination, water or other liquid, or signs of fire or smoke damage.
5. Check for worn, frayed, or pinched cables.
6. Make sure that the power-supply cover fasteners (screws or rivets) have not been removed or tampered with.

Chapter 1. Introduction

The ThinkSystem ST250 server is a 4U tower server designed for performance and expansion for various IT workloads. With the modular design, the server is flexible to be customized for maximum storage capacity or high storage density with selectable input/output options and tiered system management.

Performance, ease of use, reliability, and expansion capabilities were key considerations in the design of the server. These design features make it possible for you to customize the system hardware to meet your needs today and provide flexible expansion capabilities for the future.

The server comes with a limited warranty. For details about the warranty, see: <https://support.lenovo.com/us/en/solutions/ht503310>

For details about your specific warranty, see: <http://datacentersupport.lenovo.com/warrantylookup>

Identifying your server

When you contact Lenovo for help, the machine type and serial number information helps support technicians to identify your server and provide faster service.

The machine type and serial number are on the ID label on the front of the server.

The following illustration shows the location of the ID label.

Note: The illustrations in this document might differ slightly from your server.

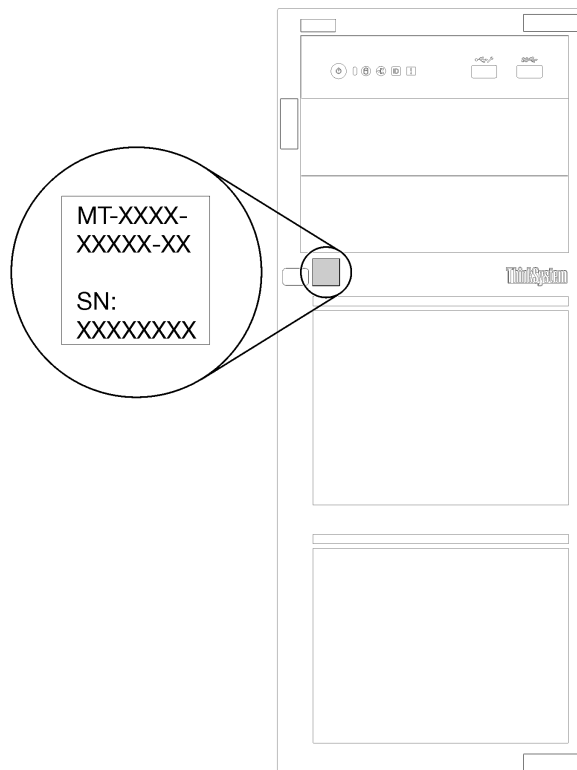


Figure 1. Location of the ID label

XClarity Controller network access label

The XClarity Controller network access label is attached on the front bezel as shown. After you get the server, peel the XClarity Controller network access label away and store it in a safe place for future use.

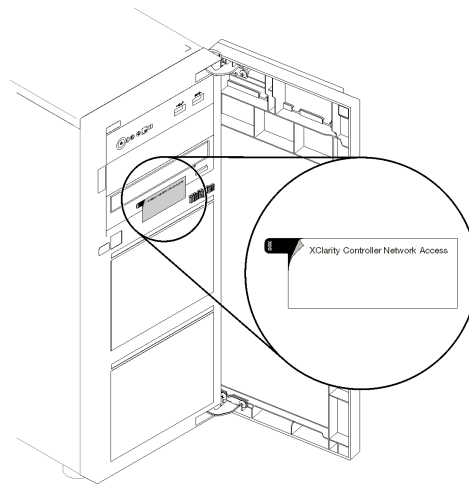


Figure 2. Location of the XClarity Controller network access label

Quick response code

The system service label, which is on the inside of the server cover, provides a quick response (QR) code for mobile access to service information. Scan the QR code with a mobile device and a QR code reader application to get quick access to the Lenovo Service web site for this server. The Lenovo Service web site provides additional information for parts installation and replacement videos, and error codes for server support.

The following illustration shows the QR code.

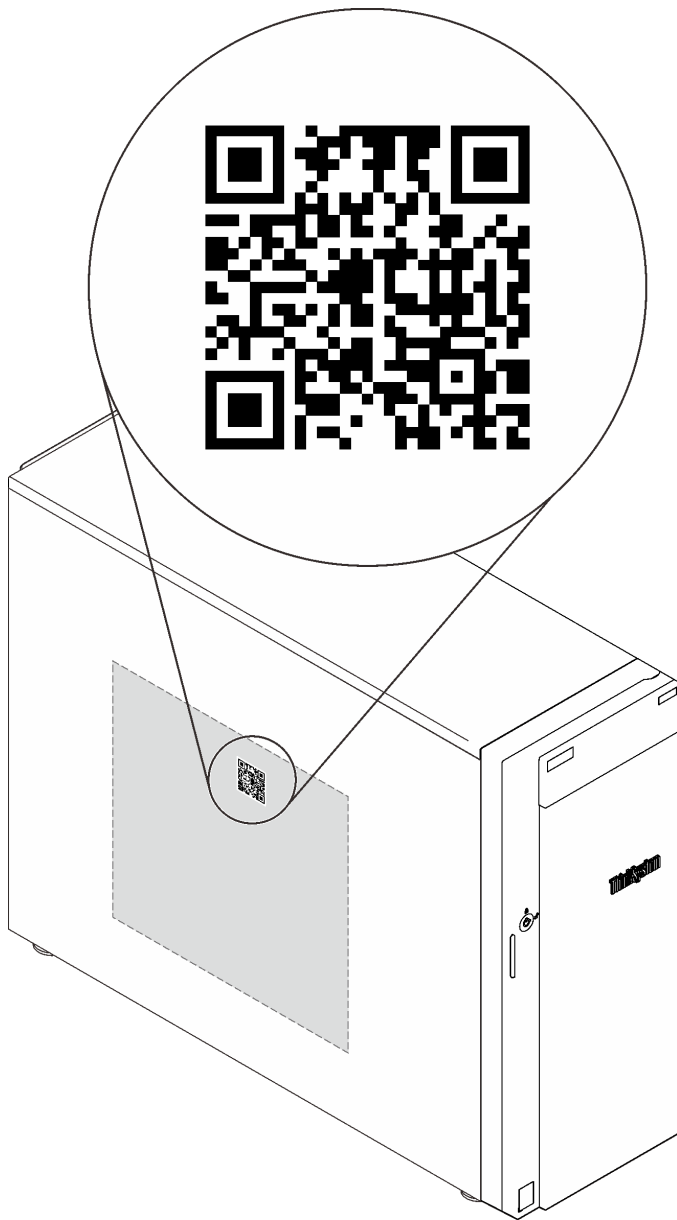


Figure 3. QR code

Server form factor

The ThinkSystem ST250 server is designed to support both tower and rack form factors.

You can change the server from tower form factor to rack form factor by installing the tower-to-rack conversion kit. For instructions on how to install the tower-to-rack conversion kit, refer to the documentation that comes with the conversion kit.

Specifications

The following information is a summary of the features and specifications of the server. Depending on the model, some features might not be available, or some specifications might not apply.

Table 1. Specifications

Specification	Description
Dimension	4U server <ul style="list-style-type: none"> • Height: 443.5 mm (17.46 inches) • Width: 176 mm (6.93 inches) • Depth: 578 mm (22.76 inches)
Weight (depending on the configuration)	<ul style="list-style-type: none"> • Maximum without package: <ul style="list-style-type: none"> – 2.5-inch disk drive configuration: 21.26 kg (46.87 lb) – 3.5-inch disk drive configuration: 23.56 kg (51.94 lb) • Minimum with package: <ul style="list-style-type: none"> – 2.5-inch disk drive configuration: 17.24 kg (38.01 lb) – 3.5-inch disk drive configuration: 19.32 kg (42.59 lb)
Processor	This server supports one of the following Intel® processors: <ul style="list-style-type: none"> • Xeon® E3-21XX • Xeon® E3-22XX • Core i3 • Pentium Gold For a list of supported processors, see: http://datacentersupport.lenovo.com
Memory	<ul style="list-style-type: none"> • Minimum: 8 GB • Maximum: 128 GB • Slots: four DIMM slots (two channels, two DIMMs per channel) • DIMM types: <ul style="list-style-type: none"> – DDR4-2666 – 8 GB Single-rank, 16 GB dual-rank, or 32 GB dual-rank – ECC-UDIMM <p>Note: Before installing 32 GB DIMMs, make sure your system has an Intel® Xeon® E processor family installed with UEFI firmware updated to UEFI ISE114H-2.00 or later.</p>

Table 1. Specifications (continued)

Specification	Description
<p>Drive bays (varies by model)</p>	<p>Drive bays and drives supported by your server vary by model.</p> <ul style="list-style-type: none"> • HDD storage drive bays: <ul style="list-style-type: none"> – Up to four 3.5-inch simple-swap disk drives <ul style="list-style-type: none"> – On board SATA ports – Up to eight 3.5-inch simple-swap disk drives <ul style="list-style-type: none"> – On board SATA ports* – Up to four 3.5-inch hot-swap disk drives <ul style="list-style-type: none"> – On board SATA ports – RAID adapter – Up to eight 3.5-inch hot-swap disk drives <ul style="list-style-type: none"> – On board SATA ports* – RAID adapter – Up to eight 2.5-inch hot-swap disk drives <ul style="list-style-type: none"> – On board SATA ports* – RAID adapter – Up to sixteen 2.5-inch hot-swap disk drives <ul style="list-style-type: none"> – RAID adapter – Up to hybrid four 3.5-inch and eight 2.5-inch hot-swap disk drives <ul style="list-style-type: none"> – RAID adapter <p>* When M.2 or optical drive(s) are present , the on-board SATA disk drive support is limited to six HDD.</p> <p>Notes:</p> <ul style="list-style-type: none"> – Your server supports the installation of 2.5-inch SSDs in a 3.5 inch disk bay through the use of a conversion kit. See “Installing a 2.5-inch SSD into a 3.5-inch drive bay” on page 65 for details. – When all eight storage drives have been installed, and the system has been set to software RAID mode in the UEFI settings, regardless if the disks are configured as an array or as separate disks, drives 6 and 7 cannot be used to install the Windows operating system. – If the M.2 drive has been installed, and the system has been set to software RAID mode in the UEFI settings, regardless if the disks are configured as an array or as separate disks, the M.2 drive cannot be used to install the Windows operating system. <ul style="list-style-type: none"> • Optical drive bays <ul style="list-style-type: none"> – Two optical drive bays <ul style="list-style-type: none"> – Supports up to two optical drives – When the M.2 drive is present, the optical drive support is limited to one drive. – Supports up to one tape drive (RDX or LTO) <ul style="list-style-type: none"> – Can only be installed in lower optical drive bay – Maximum support number of optical drive plus tape drive is two pieces. <p>Notes:</p> <ul style="list-style-type: none"> – Follow these steps to install the optical drive and tape drive when the M.2 drive is present. <ol style="list-style-type: none"> 1. When the M.2 drive is installed, ensure that SATA port 7 remains unconnected. 2. Install the optical drive into the upper media bay, Bay 1.

Table 1. Specifications (continued)

Specification	Description
	<ol style="list-style-type: none"> 3. Install the backup drive (RDX or LTO tape) into the lower media bay, Bay 0. 4. Connect the optical drive to SATA port 6. 5. If an RDX drive is installed, connect the drive to the internal USB port adjacent to the M.2 drive using the cable that shipped with the RDX drive (see “USB tape drive cable routing” on page 36). 6. If an LTO tape drive is installed, install a SAS HBA into an available PCIe slot, and connect the drive to the adapter with the cable that is shipped with the LTO tape drive (see “SAS tape drive cable routing” on page 35). <ul style="list-style-type: none"> – If your server is installed with a Windows Server operating system, you can use the Windows Backup program to back up the data stored on tape drive media. For detailed information, refer to the user guide of the tape drive. The user guide is available for download at: http://www.lenovo.com/UserManuals
M.2 drive	<p>Supports 2 different physical sizes of M.2 drives:</p> <ul style="list-style-type: none"> • 42 mm (2242) • 80 mm (2280)
Expansion slots	<p>Four PCIe expansion slots are available:</p> <ul style="list-style-type: none"> • Slot 1: PCIe3 x1, Full-height, half-length • Slot 2: PCIe3 x16, Full-height, half-length • Slot 3: PCIe3 x4, Full-height, half-length • Slot 4: PCIe3 x8 (x4, x1), Full-height, half-length <p>Notes:</p> <ol style="list-style-type: none"> 1. PCIe slot 1 and slot 2 do not support ARI and SR-IOV 2. PCIe slot 3 supports ARI and SR-IOV 3. ThinkSystem Broadcom NX-E PCIe 10Gb 2-Port Base-T Ethernet Adapter can only be installed in the slot 2
Input/Output (I/O) features	<ul style="list-style-type: none"> • Front panel <ul style="list-style-type: none"> – One XClarity Controller USB 2.0 connector – One USB 3.1 Gen 1 connector • Rear panel <ul style="list-style-type: none"> – Video Graphics Array (VGA) DB-15 connector – Serial connector – One USB 3.1 Gen 1 connector – One USB 3.1 Gen 2 connector – Two RJ-45 Ethernet connectors – One RJ-45 Ethernet connector for BMC management
Network	<ul style="list-style-type: none"> • Two 1Gbps RJ45 with BCM5720 • One 1Gbps Management RJ45
RAID (depending on model)	<p>The following options with RAID levels 0, 1, and 5 are available for this server. In addition, RAID level 10 is available when four hard-disk/solid-state drives are installed in the server.</p> <ul style="list-style-type: none"> • ThinkSystem RAID 530-8i PCIe 12Gb adapter • ThinkSystem RAID 730-8i 1GB Cache PCIe 12Gb adapter • ThinkSystem RAID 930-8i 2GB Flash PCIe 12Gb adapter • ThinkSystem RAID 930-16i 4GB Flash PCIe 12Gb adapter • ThinkSystem RAID 930-8e 4GB Flash PCIe 12Gb adapter <p>For a list of supported adapters, see:</p> <p>http://datacentersupport.lenovo.com</p>

Table 1. Specifications (continued)

Specification	Description
System fans	Your server comes with the following fans to provide proper system cooling and airflow: <ul style="list-style-type: none"> • One heat sink and fan assembly • Two front system fans • One rear system fan
Electrical input	Universal input: <ul style="list-style-type: none"> • Low range: 100 to 127 V ac • High range: 200 to 240 V ac • Input frequency range: 50 to 60 Hz Note: The ThinkSystem ST250 only supports AC input power. Do not use 240VDC input.
Power supply	The server might come with one of the following power supply configurations: <ul style="list-style-type: none"> • One 250W fixed power supply • One or two 550W redundant power supply Note: If you are using uninterruptible power supplies (UPS), ensure that you use only pure-sine UPS with your ThinkServer server.
Acoustical noise emissions	<ul style="list-style-type: none"> • Sound power, idling <ul style="list-style-type: none"> – 3.7 bels, minimum – 3.8 bels, typical – 4.3 bels, maximum • Sound power, operating <ul style="list-style-type: none"> – 3.7 bels, minimum – 4.0 bels, typical – 4.4 bels, maximum • Sound pressure level, idling (tabletop) <ul style="list-style-type: none"> – 26.8 dBA, minimum – 26.5 dBA, typical – 39.4 dBA, maximum • Sound pressure level, operating (tabletop) <ul style="list-style-type: none"> – 27.0 dBA, minimum – 26.7 dBA, typical – 40.1 dBA, maximum • Sound pressure level, idling (floor) <ul style="list-style-type: none"> – 19.3 dBA, minimum – 19.5 dBA, typical – 29.5 dBA, maximum • Sound pressure level, operating (floor) <ul style="list-style-type: none"> – 19.4 dBA, minimum – 21.0 dBA, typical – 32.3 dBA, maximum Note: The sound levels were measured in controlled acoustical environments according to procedures specified by ISO 7779 and are reported in accordance with ISO 9296. The declared acoustic noise levels are based on specified configurations, which may change slightly depending on configuration/conditions.
Approximate heat output	<ul style="list-style-type: none"> • Minimum configuration: 221 BTU , 65 W (in BTU per hour and watts) • Maximum configuration: 699 BTU, 205 W (in BTU per hour and watts)

Table 1. Specifications (continued)

Specification	Description
<p>Environment</p>	<p>The ThinkSystem ST250 server complies with ASHRAE Class A2 specifications. Depending on the hardware configuration, some models comply with ASHRAE Class A3 specifications. System performance may be impacted when operating temperature is outside ASHRAE A2 specification.</p> <ul style="list-style-type: none"> • Air temperature: <ul style="list-style-type: none"> – Operating <ul style="list-style-type: none"> – ASHRAE Class A2: 10°C to 35°C (50°F to 95°F); the maximum ambient temperature decreases by 1°C for every 300 m (984 ft) increase in altitude above 900 m (2,953 ft). – ASHRAE Class A3: 5°C to 40°C (41°F to 104°F); the maximum ambient temperature decreases by 1°C for every 175 m (574 ft) increase in altitude above 900 m (2,953 ft). Limited configuration as 80W processor plus eight 2.5-inch disk drives. – Server off: -10°C to 60°C (14°F to 140°F) – Shipment/storage: -40°C to 60°C (-40°F to 140°F) • Maximum altitude: 3,050 m (10,000 ft) • Relative Humidity (non-condensing): <ul style="list-style-type: none"> – Operating <ul style="list-style-type: none"> – ASHRAE Class A2: 8% to 80%; maximum dew point: 21°C (70°F) – ASHRAE Class A3: 8% to 85%; maximum dew point: 24°C (75°F) – Shipment/storage: 8% to 90% • Particulate contamination <p>Attention: Airborne particulates and reactive gases acting alone or in combination with other environmental factors such as humidity or temperature might pose a risk to the server. For information about the limits for particulates and gases, see “Particulate contamination” on page 8.</p>
<p>Operating systems</p>	<p>Supported and certified operating systems:</p> <ul style="list-style-type: none"> • Microsoft Windows Server • VMware ESXi • Red Hat Enterprise Linux • SUSE Linux Enterprise Server <p>References:</p> <ul style="list-style-type: none"> • Complete list of available operating systems: https://lenovopress.com/osig. • OS deployment instructions: See “Deploy the operating system” in <i>Setup Guide</i>.

Particulate contamination

Attention: Airborne particulates (including metal flakes or particles) and reactive gases acting alone or in combination with other environmental factors such as humidity or temperature might pose a risk to the device that is described in this document.

Risks that are posed by the presence of excessive particulate levels or concentrations of harmful gases include damage that might cause the device to malfunction or cease functioning altogether. This specification sets forth limits for particulates and gases that are intended to avoid such damage. The limits must not be viewed or used as definitive limits, because numerous other factors, such as temperature or moisture content of the air, can influence the impact of particulates or environmental corrosives and gaseous contaminant transfer. In the absence of specific limits that are set forth in this document, you must implement practices that maintain particulate and gas levels that are consistent with the protection of human health and safety. If Lenovo determines that the levels of particulates or gases in your environment have caused damage to the device, Lenovo may condition provision of repair or replacement of devices or parts

on implementation of appropriate remedial measures to mitigate such environmental contamination. Implementation of such remedial measures is a customer responsibility.

Table 2. Limits for particulates and gases

Contaminant	Limits
Reactive gases	<p>Severity level G1 as per ANSI/ISA 71.04-1985¹:</p> <ul style="list-style-type: none"> The copper reactivity level shall be less than 300 Angstroms per month ($\text{\AA}/\text{month} \approx 0.0039 \mu\text{g}/\text{cm}^2\text{-hour}$ weight gain).² The silver reactivity level shall be less than 200 $\text{\AA}/\text{month}$ ($\text{\AA}/\text{month} \approx 0.0035 \mu\text{g}/\text{cm}^2\text{-hour}$ weight gain).³ The reactive monitoring of gaseous corrosivity must be conducted approximately 5 cm (2 in.) in front of the rack on the air inlet side at one-quarter and three-quarter frame height off the floor or where the air velocity is much higher.
Airborne particulates	<p>Data centers must meet the cleanliness level of ISO 14644-1 class 8.</p> <p>For data centers without airside economizer, the ISO 14644-1 class 8 cleanliness might be met by choosing one of the following filtration methods:</p> <ul style="list-style-type: none"> The room air might be continuously filtered with MERV 8 filters. Air entering a data center might be filtered with MERV 11 or preferably MERV 13 filters. <p>For data centers with airside economizers, the choice of filters to achieve ISO class 8 cleanliness depends on the specific conditions present at that data center.</p> <ul style="list-style-type: none"> The deliquescent relative humidity of the particulate contamination should be more than 60% RH.⁴ Data centers must be free of zinc whiskers.⁵
<p>¹ ANSI/ISA-71.04-1985. <i>Environmental conditions for process measurement and control systems: Airborne contaminants</i>. Instrument Society of America, Research Triangle Park, North Carolina, U.S.A.</p> <p>² The derivation of the equivalence between the rate of copper corrosion growth in the thickness of the corrosion product in $\text{\AA}/\text{month}$ and the rate of weight gain assumes that Cu_2S and Cu_2O grow in equal proportions.</p> <p>³ The derivation of the equivalence between the rate of silver corrosion growth in the thickness of the corrosion product in $\text{\AA}/\text{month}$ and the rate of weight gain assumes that Ag_2S is the only corrosion product.</p> <p>⁴ The deliquescent relative humidity of particulate contamination is the relative humidity at which the dust absorbs enough water to become wet and promote ionic conduction.</p> <p>⁵ Surface debris is randomly collected from 10 areas of the data center on a 1.5 cm diameter disk of sticky electrically conductive tape on a metal stub. If examination of the sticky tape in a scanning electron microscope reveals no zinc whiskers, the data center is considered free of zinc whiskers.</p>	

Firmware updates

Several options are available to update the firmware for the server.

You can use the tools listed here to update the most current firmware for your server and the devices that are installed in the server.

Best practices related to updating firmware is available at the following site:

<http://lenovopress.com/LP0656>

The latest firmware can be found at the following site:

<http://datacentersupport.lenovo.com/us/en/products/servers/thinksystem/st250/7Y45/downloads>

UpdateXpress System Packs (UXSPs)

Lenovo typically releases firmware in bundles called UpdateXpress System Packs (UXSPs). To ensure that all of the firmware updates are compatible, you should update all firmware at the same time. If you are updating firmware for both the Lenovo XClarity Controller and UEFI, update the firmware for Lenovo XClarity Controller first.

Update method terminology

- **In-band update.** The installation or update is performed using a tool or application within an operating system that is executing on the server's core CPU.
- **Out-of-band update.** The installation or update is performed by the Lenovo XClarity Controller collecting the update and then directing the update to the target subsystem or device. Out-of-band updates have no dependency on an operating system executing on the core CPU. However, most out-of-band operations do require the server to be in the S0 (Working) power state.
- **On-Target update.** The installation or update is initiated from an Operating System executing on the server's operating system.
- **Off-Target update.** The installation or update is initiated from a computing device interacting directly with the server's Lenovo XClarity Controller.
- **UpdateXpress System Packs (UXSPs).** UXSPs are bundled updates designed and tested to provide the interdependent level of functionality, performance, and compatibility. UXSPs are server machine-type specific and are built (with firmware and device driver updates) to support specific Windows Server, Red Hat Enterprise Linux (RHEL) and SUSE Linux Enterprise Server (SLES) operating system distributions. Machine-type-specific firmware-only UXSPs are also available.

Firmware updating tools

See the following table to determine the best Lenovo tool to use for installing and setting up the firmware:

Tool	Update Methods Supported	Core System Firmware Updates	I/O Devices Firmware Updates	Graphical user interface	Command line interface	Supports UXSPs
Lenovo XClarity Provisioning Manager (LXPM)	In-band ² On-Target	√		√		
Lenovo XClarity Controller (XCC)	Out-of-band Off-Target	√	Selected I/O devices	√		
Lenovo XClarity Essentials OneCLI (OneCLI)	In-band Out-of-band On-Target Off-Target	√	All I/O devices		√	√

Tool	Update Methods Supported	Core System Firmware Updates	I/O Devices Firmware Updates	Graphical user interface	Command line interface	Supports UXSPs
Lenovo XClarity Essentials UpdateXpress (LXCE)	In-band Out-of-band On-Target Off-Target	√	All I/O devices	√		√
Lenovo XClarity Essentials Bootable Media Creator³ (BOMC)	In-band On-Target	√	All I/O devices	√ (BOMC application)	√ (BOMC application)	√
Lenovo XClarity Administrator (LXCA)	In-band ¹ Out-of-band ² Off-Target	√	All I/O devices	√		√
Lenovo XClarity Integrator (LXCI) for VMware vCenter	Out-of-band Off-Target	√	Selected I/O devices	√		
Lenovo XClarity Integrator (LXCI) for Microsoft Windows Admin Center	In-band Out-of-band On-Target Off-Target	√	All I/O devices	√		√
Lenovo XClarity Integrator (LXCI) for Microsoft System Center Configuration Manager	In-band On-Target	√	All I/O devices	√		√
Notes: 1. For I/O firmware updates. 2. For BMC and UEFI firmware updates.						

- **Lenovo XClarity Provisioning Manager**

From Lenovo XClarity Provisioning Manager, you can update the Lenovo XClarity Controller firmware, the UEFI firmware, and the Lenovo XClarity Provisioning Manager software.

Note: By default, the Lenovo XClarity Provisioning Manager Graphical User Interface is displayed when you press F1. If you have changed that default to be the text-based system setup, you can bring up the Graphical User Interface from the text-based system setup interface.

Additional information about using Lenovo XClarity Provisioning Manager to update firmware is available at:

http://sysmgt.lenovofiles.com/help/topic/LXPM/platform_update.html

- **Lenovo XClarity Controller**

If you need to install a specific update, you can use the Lenovo XClarity Controller interface for a specific server.

Notes:

- To perform an in-band update through Windows or Linux, the operating system driver must be installed and the Ethernet-over-USB (sometimes called LAN over USB) interface must be enabled.

Additional information about configuring Ethernet over USB is available at:

http://sysmgt.lenovofiles.com/help/topic/com.lenovo.systems.management.xcc.doc/NN1ia_c_configuringUSB.html

- If you update firmware through the Lenovo XClarity Controller, make sure that you have downloaded and installed the latest device drivers for the operating system that is running on the server.

Specific details about updating firmware using Lenovo XClarity Controller are available at:

http://sysmgt.lenovofiles.com/help/topic/com.lenovo.systems.management.xcc.doc/NN1ia_c_manageserverfirmware.html

- **Lenovo XClarity Essentials OneCLI**

Lenovo XClarity Essentials OneCLI is a collection of command line applications that can be used to manage Lenovo servers. Its update application can be used to update firmware and device drivers for your servers. The update can be performed within the host operating system of the server (in-band) or remotely through the BMC of the server (out-of-band).

Specific details about updating firmware using Lenovo XClarity Essentials OneCLI is available at:

http://sysmgt.lenovofiles.com/help/topic/toolstr_cli_lenovo/onecli_c_update.html

- **Lenovo XClarity Essentials UpdateXpress**

Lenovo XClarity Essentials UpdateXpress provides most of OneCLI update functions through a graphical user interface (GUI). It can be used to acquire and deploy UpdateXpress System Pack (UXSP) update packages and individual updates. UpdateXpress System Packs contain firmware and device driver updates for Microsoft Windows and for Linux.

You can obtain Lenovo XClarity Essentials UpdateXpress from the following location:

<https://datacentersupport.lenovo.com/solutions/Invo-xpress>

- **Lenovo XClarity Essentials Bootable Media Creator**

You can use Lenovo XClarity Essentials Bootable Media Creator to create bootable media that is suitable for firmware updates, VPD updates, inventory and FFDC collection, advanced system configuration, FoD Keys management, secure erase, RAID configuration, and diagnostics on supported servers.

You can obtain Lenovo XClarity Essentials BoMC from the following location:

<https://datacentersupport.lenovo.com/solutions/Invo-bomc>

- **Lenovo XClarity Administrator**

If you are managing multiple servers using the Lenovo XClarity Administrator, you can update firmware for all managed servers through that interface. Firmware management is simplified by assigning firmware-compliance policies to managed endpoints. When you create and assign a compliance policy to managed endpoints, Lenovo XClarity Administrator monitors changes to the inventory for those endpoints and flags any endpoints that are out of compliance.

Specific details about updating firmware using Lenovo XClarity Administrator are available at:

http://sysmgt.lenovofiles.com/help/topic/com.lenovo.lxca.doc/update_fw.html

- **Lenovo XClarity Integrator offerings**

Lenovo XClarity Integrator offerings can integrate management features of Lenovo XClarity Administrator and your server with software used in a certain deployment infrastructure, such as VMware vCenter, Microsoft Admin Center, or Microsoft System Center.

Specific details about updating firmware using Lenovo XClarity Integrator offerings are available at:

https://sysmgt.lenovofiles.com/help/topic/lxci/lxci_product_page.html

Tech Tips

Lenovo continually updates the support website with the latest tips and techniques that you can use to solve issues that your server might encounter. These Tech Tips (also called retain tips or service bulletins) provide procedures to work around issues or solve problems related to the operation of your server.

To find the Tech Tips available for your server:

1. Go to <http://datacentersupport.lenovo.com> and navigate to the support page for your server.
2. Click **Knowledge Base & Guides** from the navigation pane.
3. Click **Documentation Type → Solution** from the drop-down menu.

Follow the on-screen instructions to choose the category for the problem that you are having.

Security advisories

Lenovo is committed to developing products and services that adhere to the highest security standards in order to protect our customers and their data. When potential vulnerabilities are reported, it is the responsibility of the Lenovo Product Security Incident Response Team (PSIRT) to investigate and provide information to our customers so they may put mitigation plans in place as we work toward providing solutions.

The list of current advisories is available at the following location:

https://datacentersupport.lenovo.com/product_security/home

Power on the server

After the server performs a short self-test (power status LED flashes quickly) when connected to input power, it enters a standby state (power status LED flashes once per second).

The server can be turned on (power LED on) in any of the following ways:

- You can press the power button.
- The server can restart automatically after a power interruption.
- The server can respond to remote power-on requests sent to the Lenovo XClarity Controller.

For information about powering off the server, see “Power off the server” on page 14.

Power off the server

The server remains in a standby state when it is connected to a power source, allowing the Lenovo XClarity Controller to respond to remote power-on requests. To remove all power from the server (power-on LED off), you must disconnect all power cables.

To place the server in a standby state (power-on LED flashes once per second):

Note: The Lenovo XClarity Controller can place the server in a standby state as an automatic response to a critical system failure.

- Start an orderly shutdown using the operating system (if supported by your operating system).
- Press the power-on button to start an orderly shutdown (if supported by your operating system).
- Press and hold the power button for more than 4 seconds to force a shutdown.

When in a standby state, the server can respond to remote power-on requests sent to the Lenovo XClarity Controller. For information about powering on the server, see “Power on the server” on page 13.

Chapter 2. Server components

This section provides information that helps locate the server components.

Front view

The front view of the server varies by model.

The following illustration shows the server components that may appear on the front of your server model.

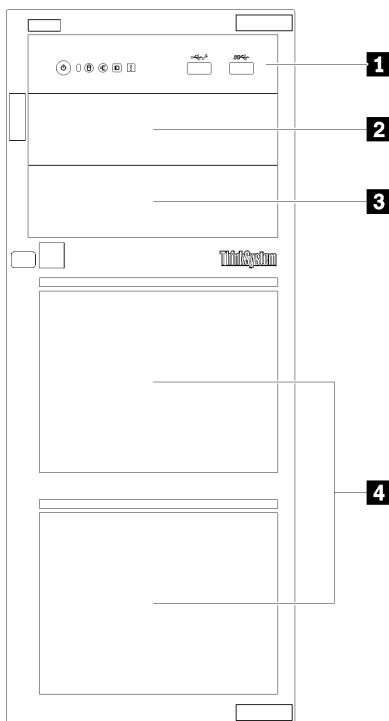


Figure 4. Front view of the server components

Table 3. Components on the front of server models

Item	Description
1 Front panel	See “Front panel” on page 20
2 Optical-drive bay 2	The optical drive bay 2 is for a secondary optical drive.
3 Optical-drive bay 1	The optical drive bay 1 is for an optical drive or a tape drive.
4 Storage drive bays	The number of installed drives in your server varies by model. The vacant drive bays are occupied by drive fillers. When you install drives, follow the order of the drive bay numbers.

The following illustrations show the server front views based on the different supported drive configurations.

Attention: For server models that support eight drives, note the following:

Only a maximum of **six hard drives** and not eight can be installed in the server if **no** ServerRAID SAS/SATA controller is installed, but **any** of the following drives are installed:

- One optical disk drive
- Two optical disk drives
- One SATA M2 drive
- One SATA M2 drive and one optical disk drive

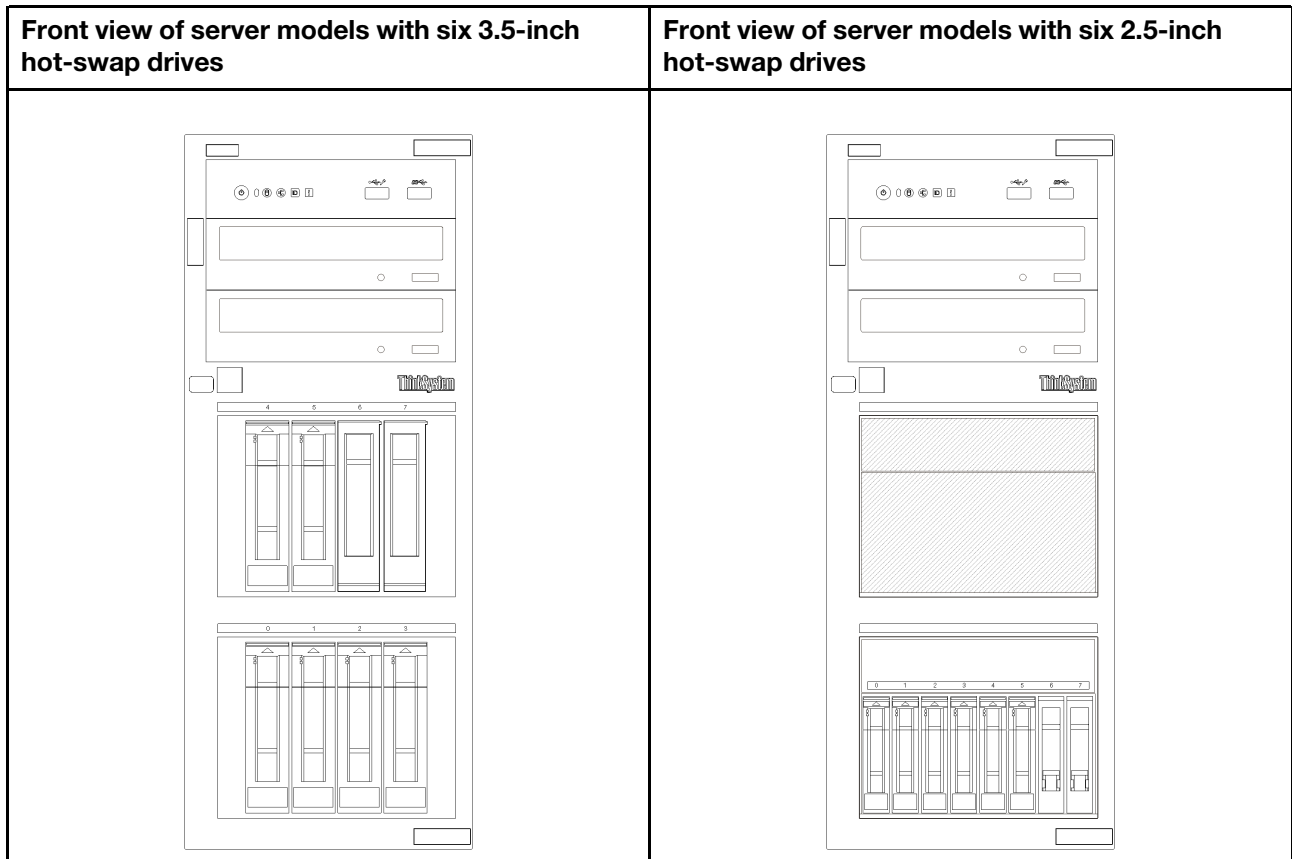
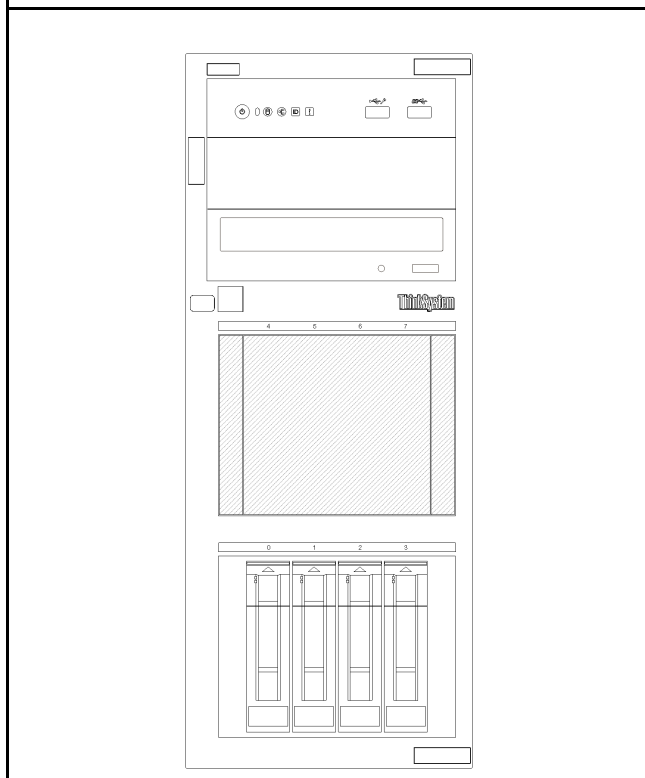


Figure 5. Front view of server models with six 3.5-inch or 2.5-inch hot-swap drives

Front view of server models with four 3.5-inch hot-swap drives



Front view of server models with eight 3.5-inch hot-swap drives

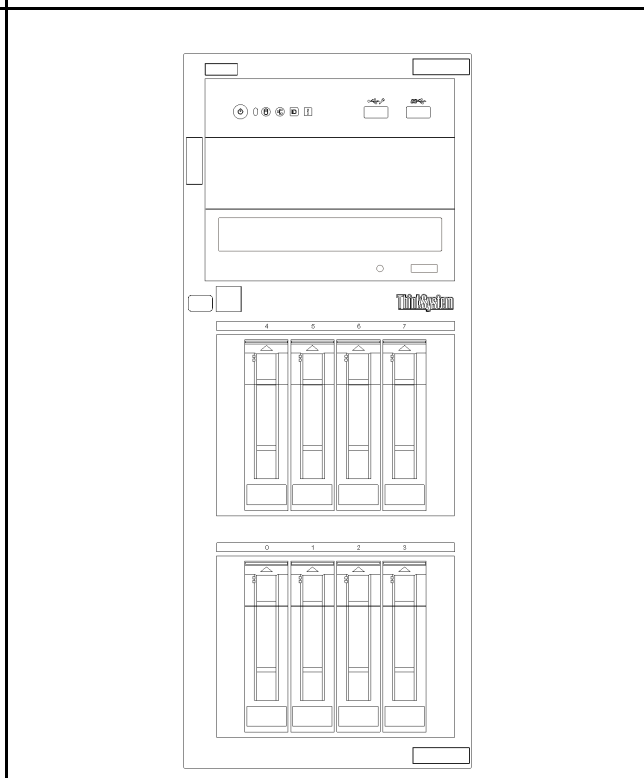


Figure 6. Front view of server models with four/eight 3.5-inch hot-swap drives

Front view of server models with four 3.5-inch simple-swap drives

Front view of server models with eight 3.5-inch simple-swap drives

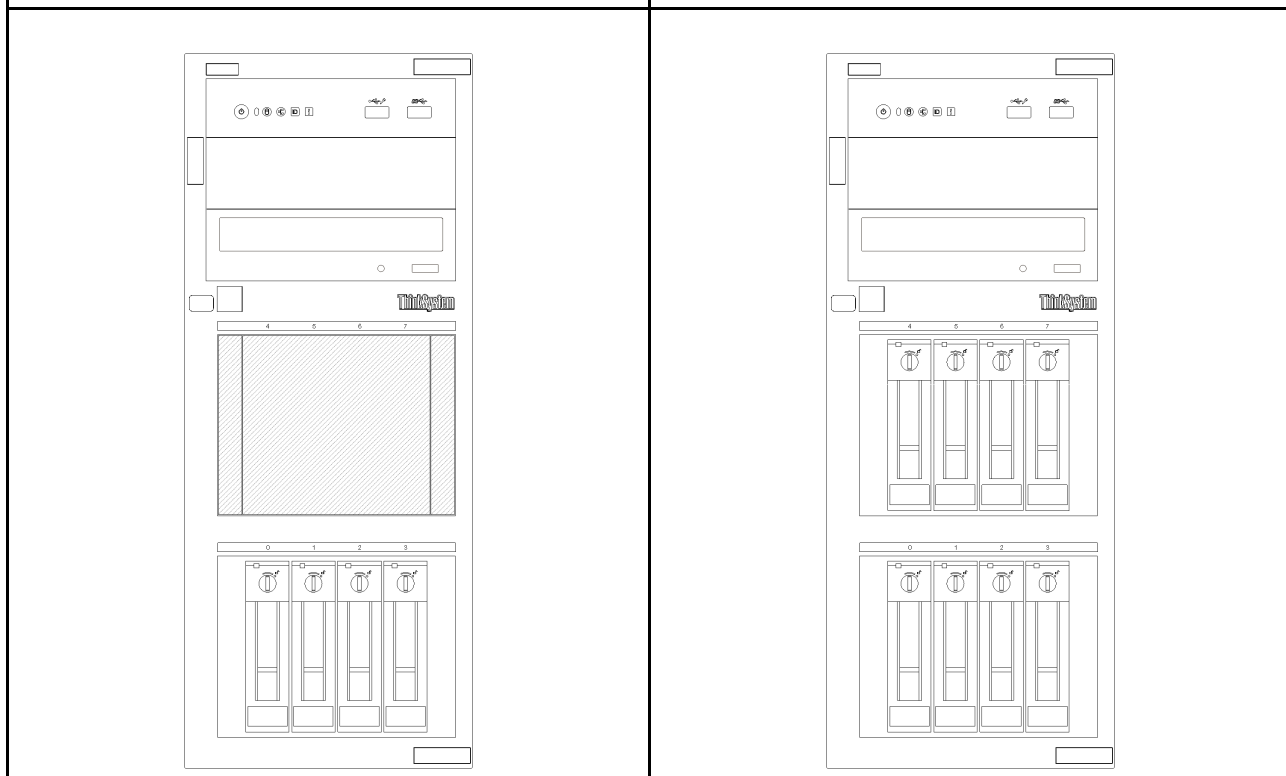


Figure 7. Front view of server models with four/eight 3.5-inch simple-swap drives

Front view of server models with eight 2.5-inch hot-swap drives

Front view of server models with sixteen 2.5-inch hot-swap drives

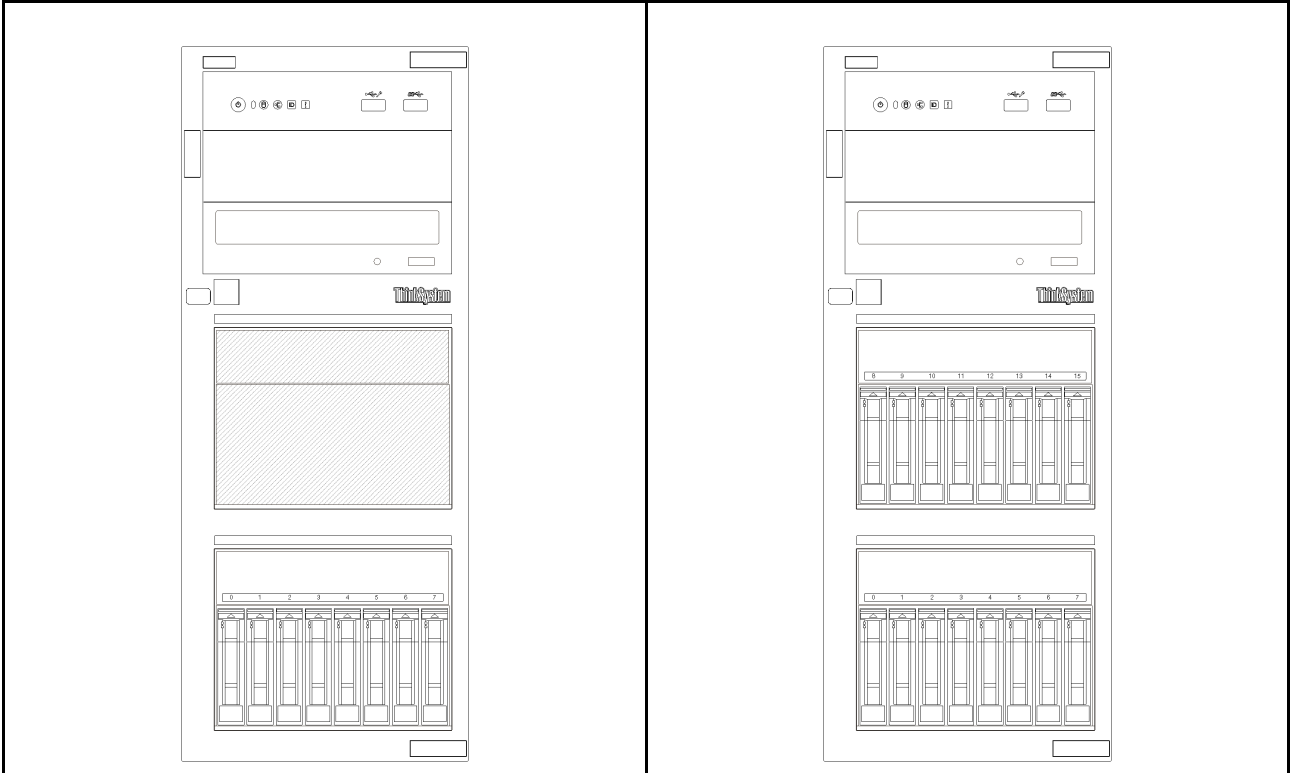


Figure 8. Front view of server models with eight/sixteen 2.5-inch hot-swap drives

Front view of server models with four 3.5-inch hot-swap drives and eight 2.5-inch hot-swap drives

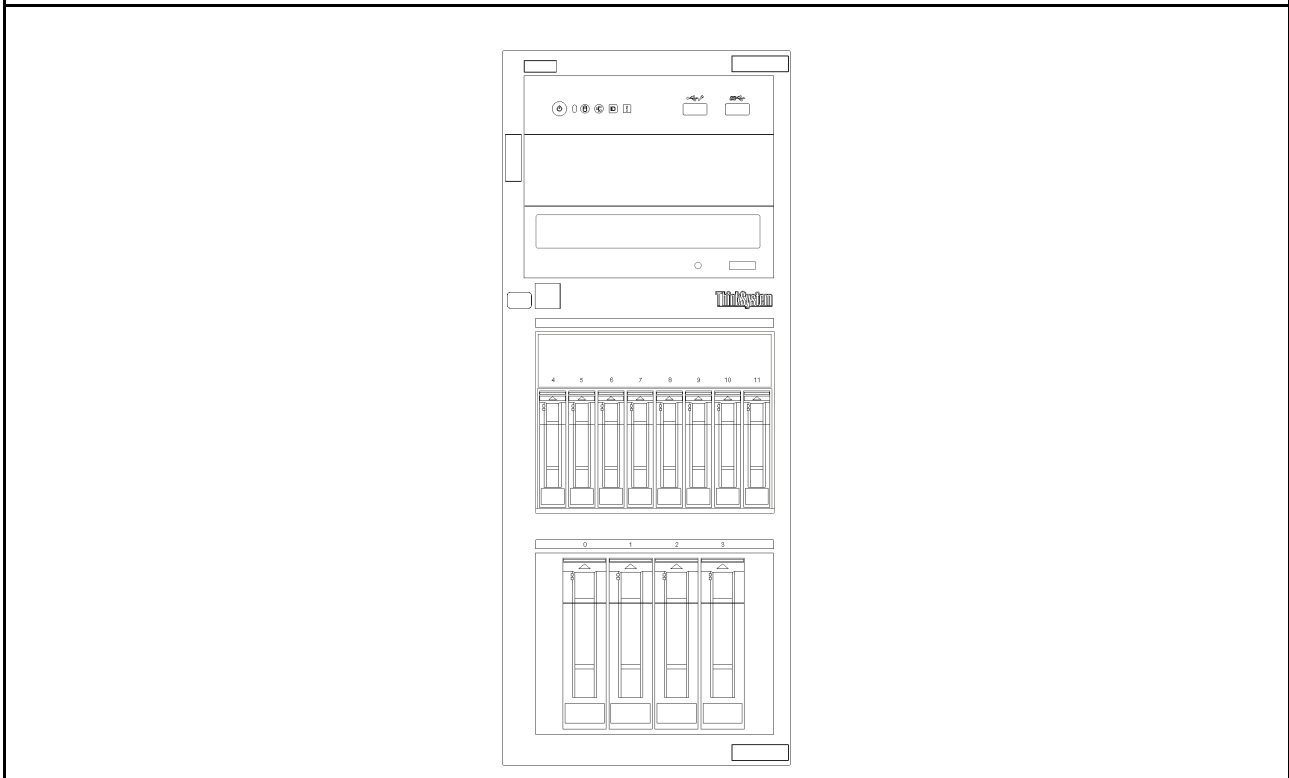


Figure 9. Front view of server models with four 3.5-inch hot-swap drives and eight 2.5-inch hot-swap drives

Front panel

The front panel of the server provides controls, connectors, and LEDs.

The following illustration shows the control, connectors, and LEDs on the front panel of the server.

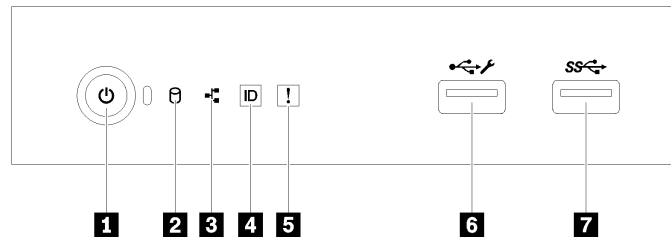


Figure 10. Front panel

Table 4. Components on the front panel

Callout	Callout
1 Power button with power status LED (green)	5 System error LED (yellow)
2 Drive activity LED (green) Note: For onboard SATA indication only	6 XClarity Controller USB 2.0 connector

Table 4. Components on the front panel (continued)

Callout	Callout
3 Network activity LED (green) Note: For onboard LAN indication only	7 USB 3.1 Gen 1 connector
4 System ID button with system ID LED (blue)	

1 Power button with power status LED

You can press the power button to turn on the server when you finish setting up the server. You also can hold the power button for several seconds to turn off the server if you cannot turn off the server from the operating system. The power status LED helps you to determine the current power status.

Status	Color	Description
Solid on	Green	The server is on and running.
Slow blinking (about one flash per second)	Green	The server is off and is ready to be powered on (standby state).
Fast blinking (about four flashes per second)	Green	The server is off, but the XClarity Controller is initializing, and the server is not ready to be powered on.
Off	None	There is no ac power applied to the server.

2 Drive activity LED

The drive activity LED helps you to determine the status of the drive activity.

Note: The drive activity LED only indicates the activities of drives that are connected to the SATA ports on the system board.

Status	Color	Description
Solid on	Green	The drive is active.
Off	None	The drive is not active.

3 Network activity LED

The network activity LED helps you identify the network connectivity and activity.

Status	Color	Description
On	Green	The server is connected to a network.
Blinking	Green	The network is connected and active.
Off	None	The server is disconnected from the network.

4 System ID button with system ID LED

Use this system ID button and the blue system ID LED to visually locate the server. A system ID LED is also located on the rear of the server. Each time you press the system ID button, the state of both the system ID LEDs changes. The LEDs can be changed to on, blinking, or off. You can also use the Lenovo XClarity

Controller or a remote management program to change the state of the system ID LEDs to assist in visually locating the server among other servers.

If the XClarity Controller USB connector is set to have both the USB 2.0 function and XClarity Controller management function, you can press the system ID button for three seconds to switch between the two functions.

5 System error LED

The system error LED provides basic diagnostic functions for your server.

Status	Color	Description	Action
On	Yellow	<p>An error has been detected on the server. Causes might include one or more of the following errors:</p> <ul style="list-style-type: none"> • The temperature of the server reached the non-critical temperature threshold. • The voltage of the server reached the non-critical voltage threshold. • A fan has been detected to be running at low speed. • A fan has been removed. • The power supply has a critical error. • The power supply is not connected to the power. 	Check the event log to determine the exact cause of the error.
Off	None	The server is off or the server is on and is working correctly.	None.

6 XClarity Controller USB connector

Depending on the setting, this connector supports USB 2.0 function, XClarity Controller management function, or both.

- If the connector is set for USB 2.0 function, you can attach a device that requires a USB 2.0 connection, such as a keyboard, a mouse, or a USB storage device.
- If the connector is set for XClarity Controller management function, you can attach a mobile device installed with the application to run XClarity Controller event logs.
- If the connector is set to have both functions, you can press the system ID button for three seconds to switch between the two functions.

7 USB 3.1 Gen 1 connector

Used to attach a device that requires a USB 2.0 or 3.0 connection, such as a keyboard, a mouse, or a USB flash drive.

Server locks

Locking the server cover prevents unauthorized access to the inside of your server. Locking the front door (available on some models) prevents unauthorized access to the installed drives.

Padlock

Your server comes with a padlock loop. When a padlock is installed, the server cover cannot be removed.

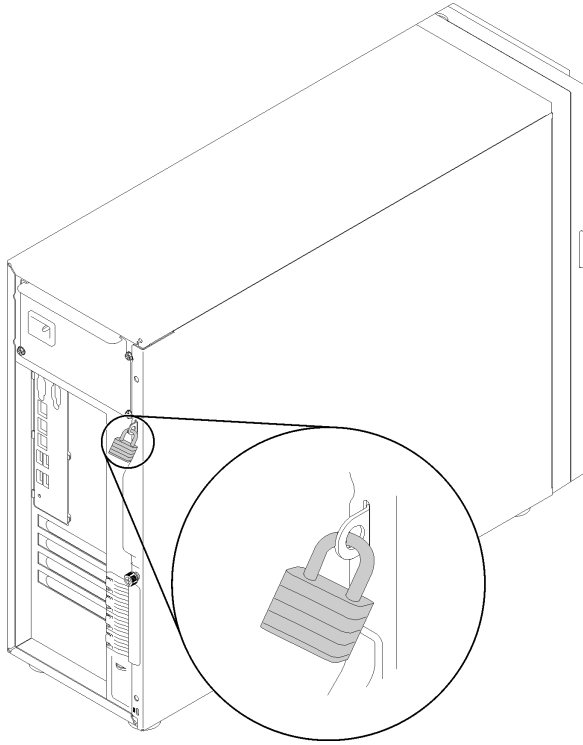


Figure 11. Padlock

Kensington-style cable lock

You can use a Kensington-style cable lock to secure your server to a desk, table, or other non-permanent fixture. The cable lock attaches to the security-lock slot at the rear of your server and is operated with a key or combination depending on the type selected. The cable lock also locks the server cover. This is the same type of lock used with many notebook computers. You can order such a cable lock directly from Lenovo by searching for **Kensington** at:

<http://www.lenovo.com/support>

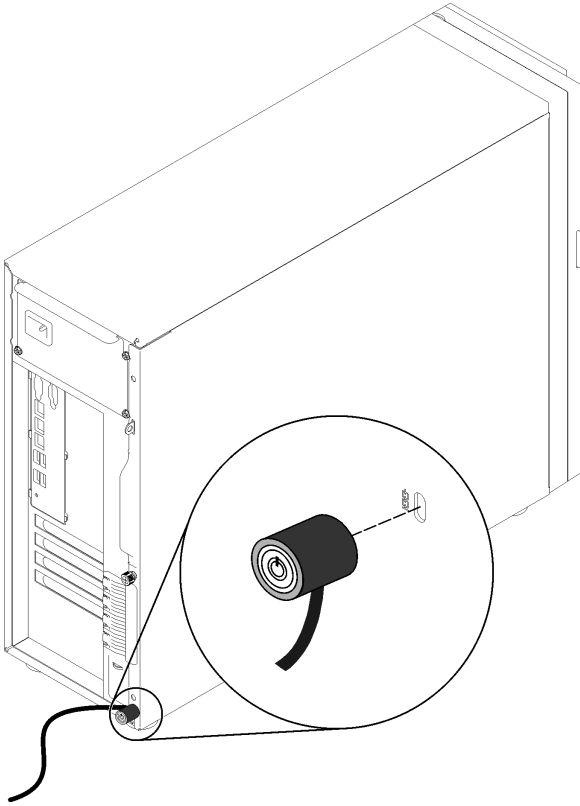


Figure 12. Kensington-style cable lock

Front door lock

You can remove the key attached on the rear of the server and use it to open or lock the front door of the server. The front door protects the drive cage and prevents unauthorized access to the installed drives.

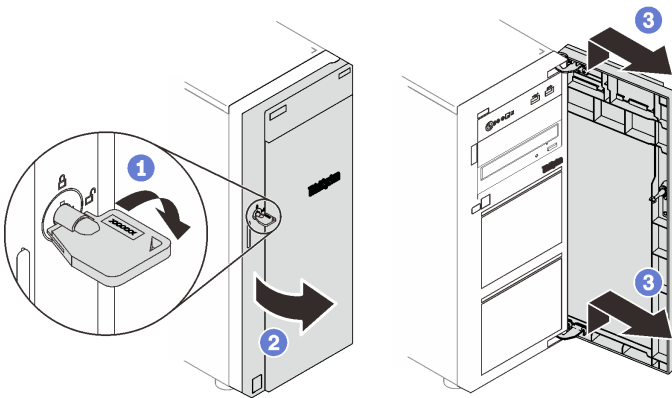


Figure 13. Front door lock

Rear view

Use this information to locate the connectors and components on the rear of your server. The following illustration shows the rear view of a server with a screw-secured, fixed power supply.

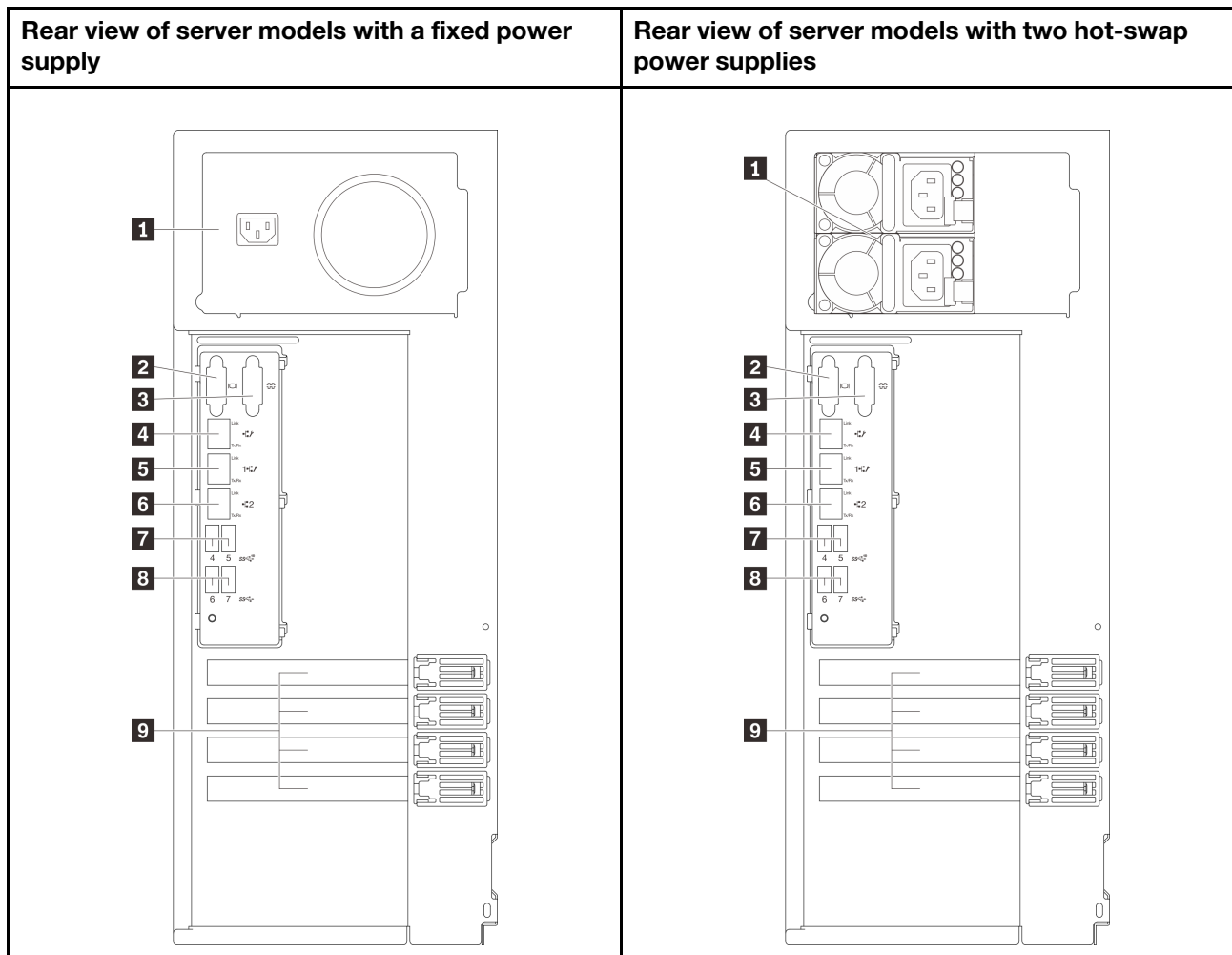


Figure 14. Rear view

Table 5. Components on the rear of server models with a fixed power supply or two hot-swap power supplies

1 Power cord connector	6 Ethernet 2 connector
2 VGA connector	7 USB 3.1 Gen 2 connector
3 Serial connector	8 USB 3.1 Gen 1 connector
4 Dedicated XClarity Controller (XCC) network connector	9 PCIe slots
5 Ethernet 1 connector (shared with XCC network port)	

1 Power cord connector

Connect the power cord to this component.

2 VGA connector

Used to attach a VGA-compatible video device, such as a VGA monitor.

3 Serial connector

Connect a 9-pin serial device to this connector. The serial port is shared with the XCC. The XCC can take control of the shared serial port to redirect serial traffic, using Serial over LAN (SOL).

4 Dedicated XClarity Controller (XCC) network connector

Used to attach an Ethernet cable to manage the system using XClarity Controller.

5 6 Ethernet 1 and 2 connectors

Used to attach an Ethernet cable for a LAN. Each Ethernet connector has two status LEDs to help you identify the Ethernet connectivity and activity. For more information, see “Rear view LEDs” on page 26. Ethernet 1 connector can be set as XClarity Controller Network connector.

To set Ethernet 1 connector as XClarity Controller Network connector, start Setup Utility and select **BMC Settings → Network Settings → Network Settings Network Interface Port : Shared**. Then, click **Shared NIC on** and select **Onboard Port 1**.

7 8 USB 3.1 Gen1 or Gen 2 connectors

Used to attach a device that requires a USB 3.1 connection, such as a keyboard, a mouse, or a USB flash drive.

9 PCIe slots

Your server has four PCIe slots on the system board for you to install appropriate PCIe adapters. For information about the PCIe slots, see “Specifications” on page 3.

Rear view LEDs

The illustration in this section shows the LEDs on the rear the server.

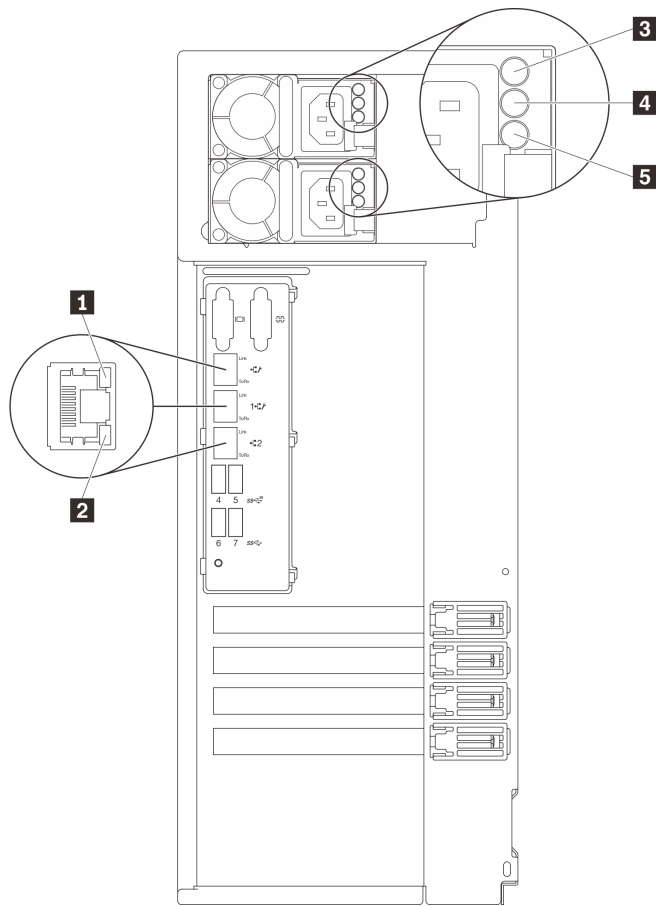


Figure 15. Rear view LEDs of the server

Table 6. LEDs on the rear of the server

Callout	Callout
1 Ethernet link LED (green)	4 Power output LED (green)
2 Ethernet activity LED (green)	5 Power supply error LED (yellow)
3 Power input LED (green)	

1 2 Ethernet status LEDs

Each network connector has two status LEDs.

Ethernet status LED	Color	Status	Description
1 Ethernet link LED	Green	On	Network link is established.
	None	Off	Network link is disconnected.
2 Ethernet activity LED	Green	Blinking	Network link is connected and active.
	None	Off	The server is disconnected from a LAN.

- 3** Power input LED
- 4** Power output LED
- 5** Power supply error LED

Each hot-swap power supply has three status LEDs.

LED	Description
3 Power input LED	<ul style="list-style-type: none"> • Off: The power supply is disconnected from the ac power source or a power problem occurs. • Green: The power supply is connected to the ac power source.
4 Power output LED	<ul style="list-style-type: none"> • Green: The server is on and the power supply is working normally. • Blinking green: The power supply is in zero-output mode (standby). When the server power load is low, one of the installed power supplies enters into the standby state while the other one delivers entire load. When the power load increases, the standby power supply will switch to active state to provide sufficient power to the server. To disable zero-output mode, start the Setup utility, go to System Settings → Power → Zero Output and select Disable. If you disable zero-output mode, both power supplies will be in the active state. • Off: The server is powered off, or the power supply is not working properly. If the server is powered on but the power output LED is off, replace the power supply.
5 Power supply error LED	<ul style="list-style-type: none"> • Off: The power supply is working normally. • Yellow: The power supply has failed. To resolve the issue, replace the power supply.

System board components

The illustration in this section shows the component locations on the system board.

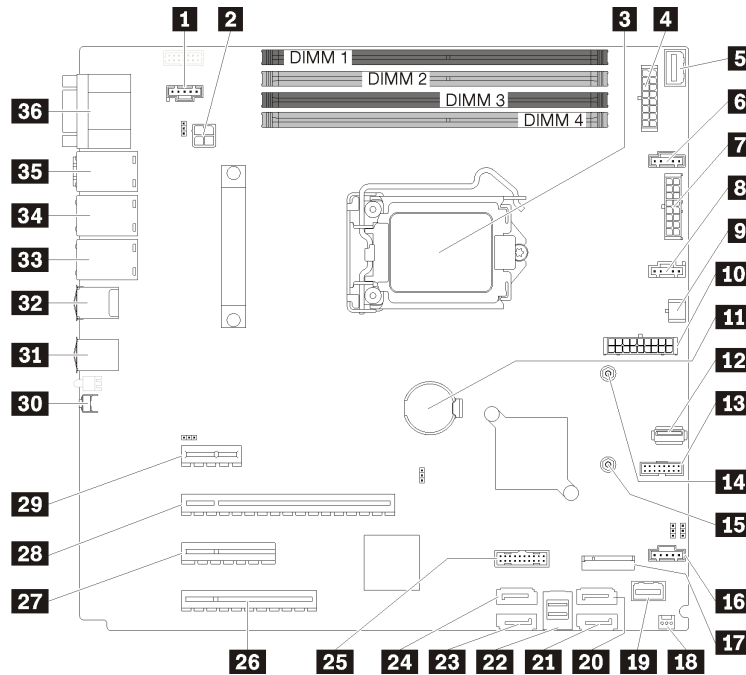


Figure 16. System board components

Table 7. Components on the system board

Callout	Callout
1 Fan 3 connector for Rear FAN	19 Front panel connector
2 Processor power connector	20 SATA hard disk drive 6/optical disk drive connector 1
3 Processor	21 SATA hard disk drive 7/optical disk drive connector 2
4 Backplane 1 power connector	22 SATA hard disk drive 0–3 connector
5 PIB side band connector	23 SATA hard disk drive 4 connector
6 Fan 1 connector for Front FAN 1	24 SATA hard disk drive 5 connector
7 Backplane 2 power connector	25 Front USB 3.0 / 2.0 header
8 Fan 2 connector for CPU FAN	26 PCIe3 x8 slot 4
9 Optical drive power connector	27 PCIe3 x4 slot 3
10 System power connector	28 PCIe3 x16 slot 2
11 CMOS battery	29 PCIe3 x1 slot 1
12 Internal USB 3.1 Gen 1 connector	30 NMI button
13 TPM card connector	31 USB 3.1 Gen 1 connectors
14 Mounting nut for 80 mm M.2	32 USB 3.1 Gen 2 connectors
15 Mounting nut for 42 mm M.2	33 Ethernet 2 connector

Table 7. Components on the system board (continued)

Callout	Callout
16 Fan 4 connector for Front FAN 4	34 Ethernet 1 connector (shared with XCC network port)
17 M.2 module connector	35 Dedicated XClarity Controller (XCC) network connector
18 Chassis intrusion switch connector	36 VGA + COM connector

System board jumpers

The following illustration shows the location of the jumpers on the server.

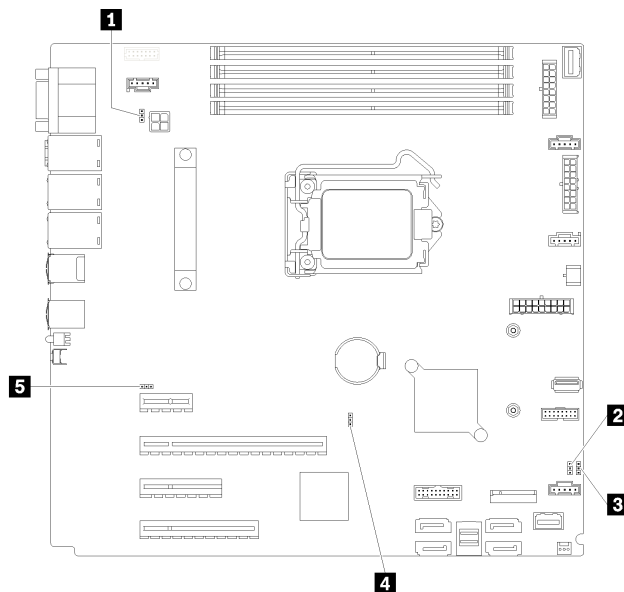


Figure 17. System board jumpers

Table 8. Jumper description

Jumper name	Jumper setting
1 NCSI functional header jumper	<ul style="list-style-type: none"> • Pins 1&2: Default • Pins 2&3: Disable
2 Power permission override jumper	<ul style="list-style-type: none"> • Pins 1&2: Default • Pins 2&3: Enable
3 Clear CMOS jumper	<ul style="list-style-type: none"> • Pins 1&2: Default • Pins 2&3: CMOS clear
4 TPM presence header jumper	<ul style="list-style-type: none"> • Pins 1&2: Default • Pins 2&3: TPM presence asserted
5 IMM force update jumper	<ul style="list-style-type: none"> • Pins 1&2: Default • Pins 2&3: Enable

Important:

- Before you move the jumpers, turn off the server; then, disconnect all power cords and external cables. Do not open your server or attempt any repair before reading and understanding the following information:

- http://thinksystem.lenovofiles.com/help/topic/safety_documentation/pdf_files.html
- “Handling static-sensitive devices” on page 55
- Any system-board switch or jumper block that is not shown in the illustrations in this document are reserved.

Internal cable routing

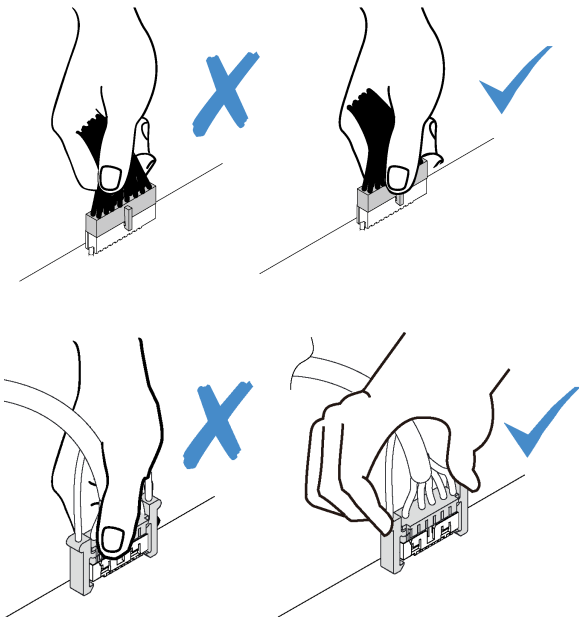
Some of the components in the server come with internal cables meant for specific connectors.

Before connecting the cables, read the following guidelines carefully:

- Turn off the server before you connect or disconnect any internal cables.
- Refer to the documentation that comes with any external devices for additional cabling instructions.
- Make use of the identifiers printed on the cables to locate the proper connectors.
- Ensure that the cable is not pinched and does not cover any connectors or obstruct any components on the system board.

Notes:

1. Disengage all latches, release tabs, or locks on cable connectors when you disconnect cables from the system board. Failing to release them before removing the cables will damage the cable sockets on the system board, which are fragile. Any damage to the cable sockets might require replacing the system board.



2. When installing the front system fan into the chassis, make sure the cables do not interfere with the two posts and the fan is firmly seated.

Fan power cable

Use the section to understand the internal routing and connectors for the fan power cables.

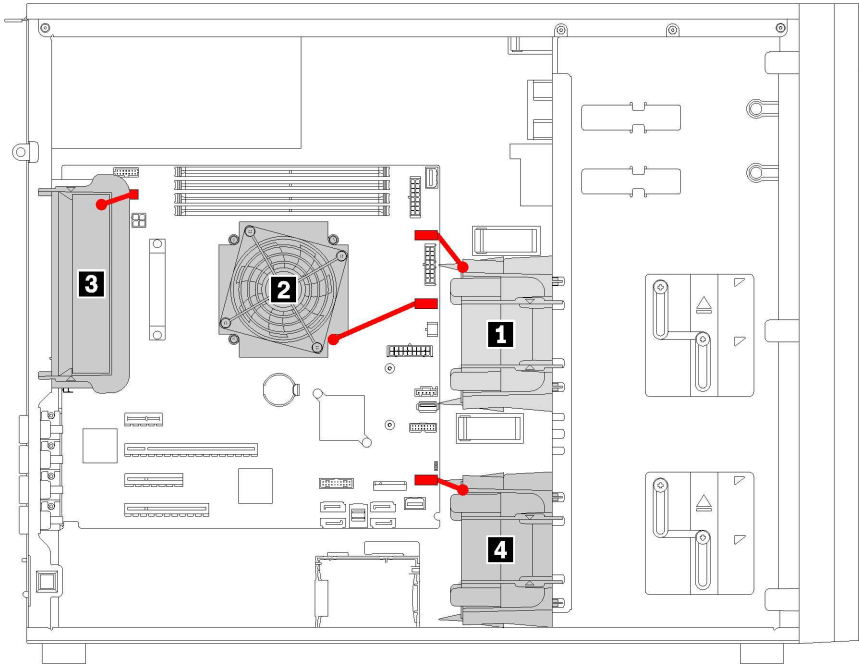


Figure 18. Fan power cable routing

Table 9. Location of fan power connectors on system board

Callout	Callout
1 Front fan 1	3 Rear fan
2 CPU fan	4 Front fan 4

Front panel

Use the section to understand the cable routing for the front panel.

Note: Ensure that all cables are routed through the correct cable clips.

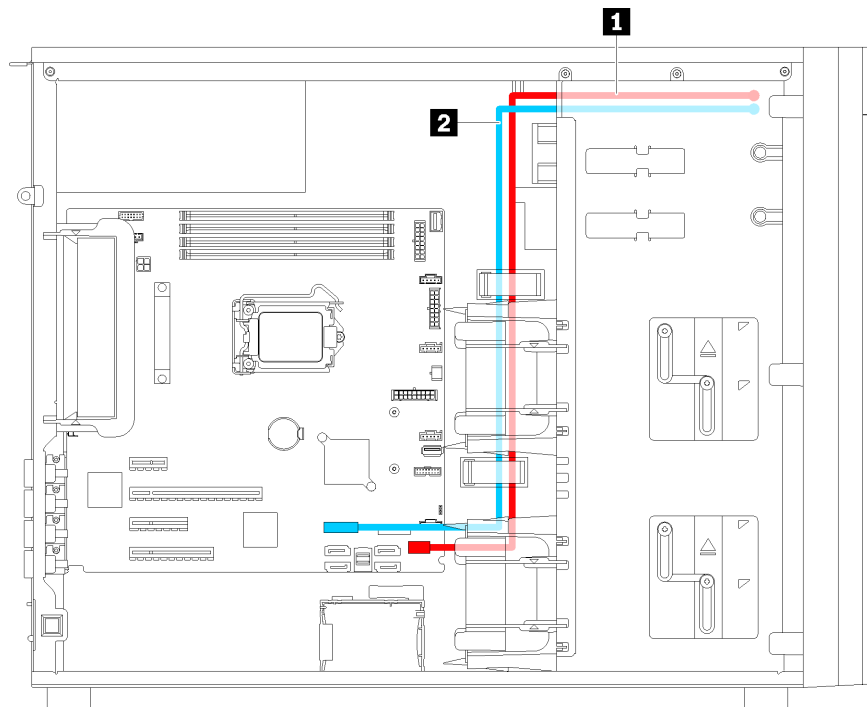


Figure 19. Cable routing for the front panel

Cable	From	To
1 Operator-information-panel cable	Rear of front panel	Operator-information-panel connector on the system board
2 USB cable	Rear of front panel	Front-panel-USB connector on the system board

Optical drive

Use the section to understand the cable routing for the optical drives.

Note: Ensure that all cables are routed through the correct cable clips.

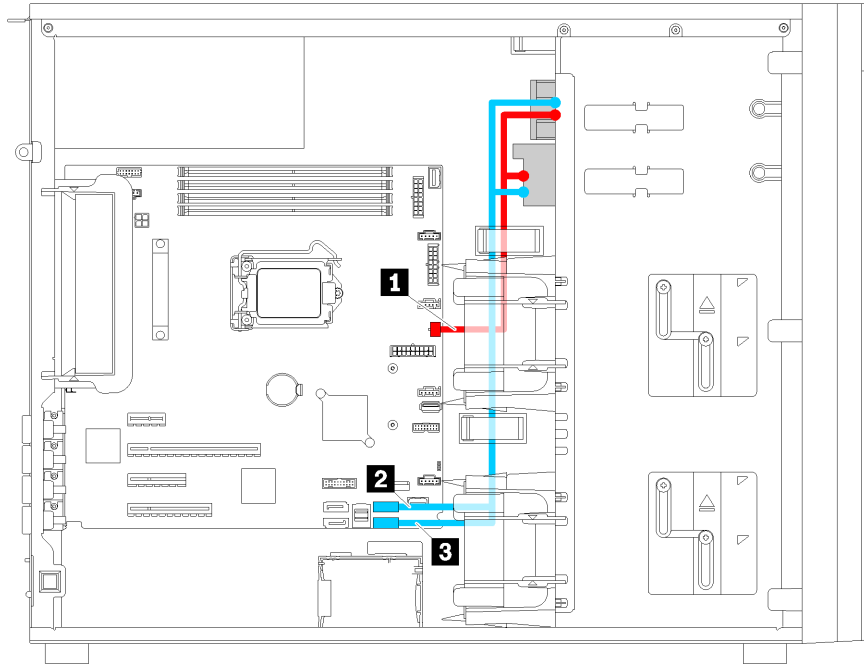


Figure 20. Cable routing for the optical drives

Cable	From	To
1 Power cable	Power connector on each optical drive	Optical disk drive power connector on the system board
2 Signal cable	Signal connector on the optical drive 1	Optical disk drive 1 signal connector on the system board
3 Signal cable	Signal connector on the optical drive 2	Optical disk drive 2 signal connector on the system board

Tape drive

Use the section to understand the cable routing for the tape drive.

SAS tape drive

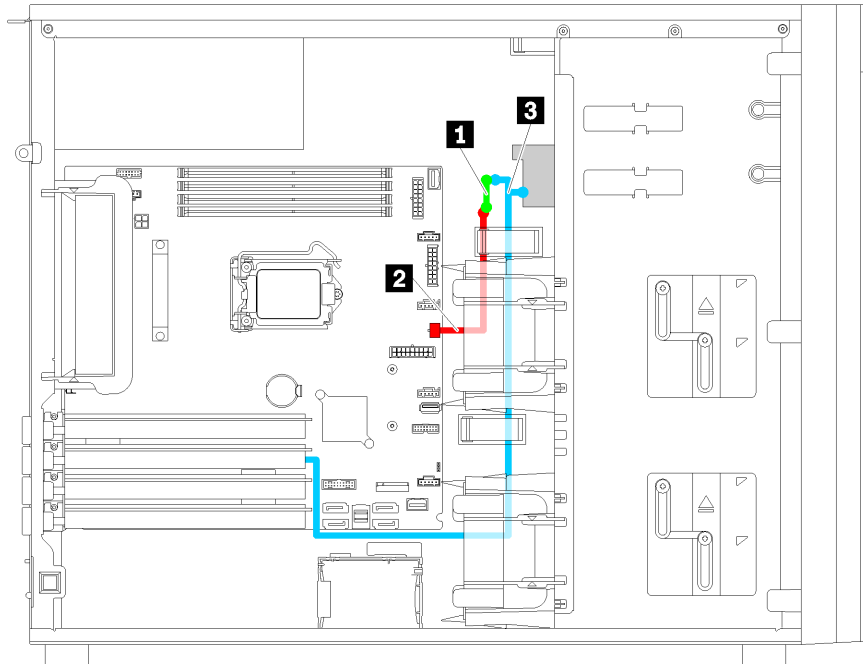


Figure 21. Cable routing for the SAS tape drive

Cable	From	To
1 Signal to power cable	Power connector on tape drive	Power connector on power cable
2 Power cable	Power connector on power cable	Optical drive power connector on system board
3 Signal cable with power	Signal connector on tape drive	An available connector on the HBA adapter

Note: Ensure that all cables are routed through the correct cable clips.

USB tape drive

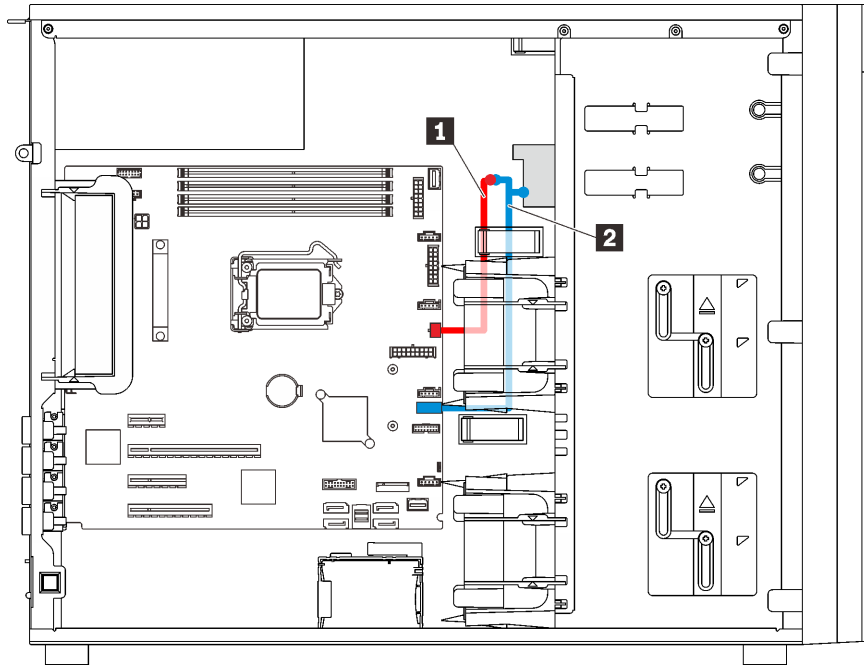


Figure 22. Cable routing for the USB tape drive

Cable	From	To
1 Power cable	Power connector on power cable	Optical drive power connector on system board
2 Signal cable	Signal connector on the tape drive	Internal USB 3.0 connector on the system board

Note: Ensure that all cables are routed through the correct cable clips.

Redundant power supply

Use the section to understand the cable routing for the redundant power supply.

Notes:

- Ensure that all cables are routed through the correct cable clips.
- When installing front fan 2, the cabling highlighted by the red circle may interfere with the installation. If this happens, push the cabling downwards and neatly tuck them under front fan 2.

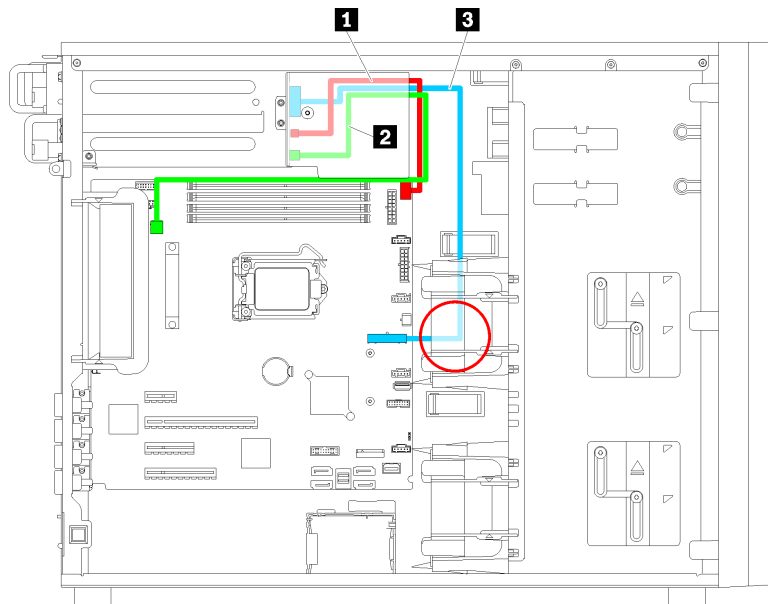


Figure 23. Cable routing for the redundant power supply

Cable	From	To
1 Signal cable	Signal connector on the power interface board	Signal connector on the system board
2 CPU power cable	CPU power connector on the power interface board	CPU power connector on the system board
3 Power cable	System power connector on the power interface board	System power connector on the system board

Fixed power supply

Use the section to understand the cable routing for the fixed power supply.

Note: Ensure that all cables are routed through the correct cable clips.

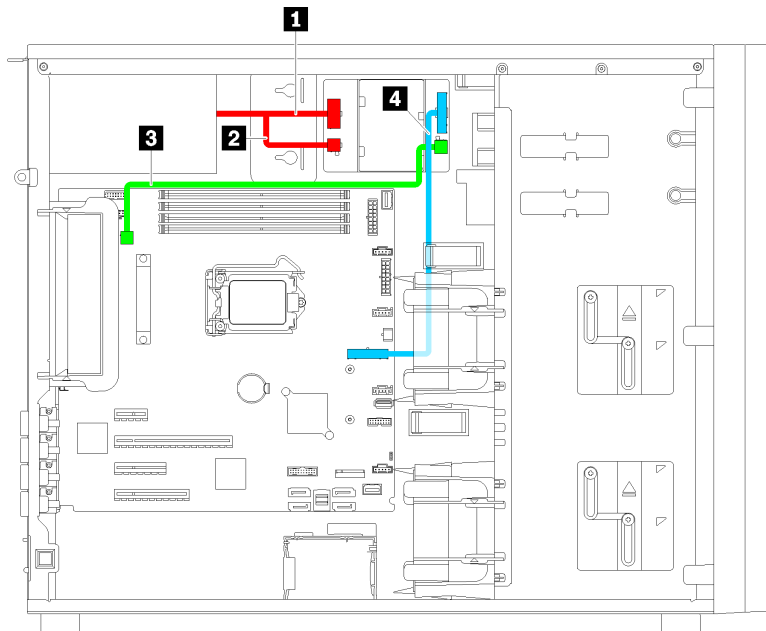


Figure 24. Cable routing for the fixed power supply

Cable	From	To
1 Power supply system power cable	System power connector on paddle board	System power connector on the fixed power supply
2 Power supply CPU power cable	CPU power connector on paddle board	CPU power connector on the fixed power supply
3 CPU power cable	CPU power connector on the fixed power supply	CPU power connector on the system board
4 System power cable	System power connector on the fixed power supply	System power connector on the system board

Simple-swap-drive backplate

Use the section to understand the cable routing for the simple-swap-drive backplate.

This topic contains the following information:

- “Server models with four 3.5-inch simple-swap drives (software RAID)” on page 39
- “Server models with eight 3.5-inch simple-swap drives (software RAID)” on page 40

Server models with four 3.5-inch simple-swap drives (software RAID)

Use this section to understand the cable routing for server models with four 3.5-inch simple-swap drives (software RAID).

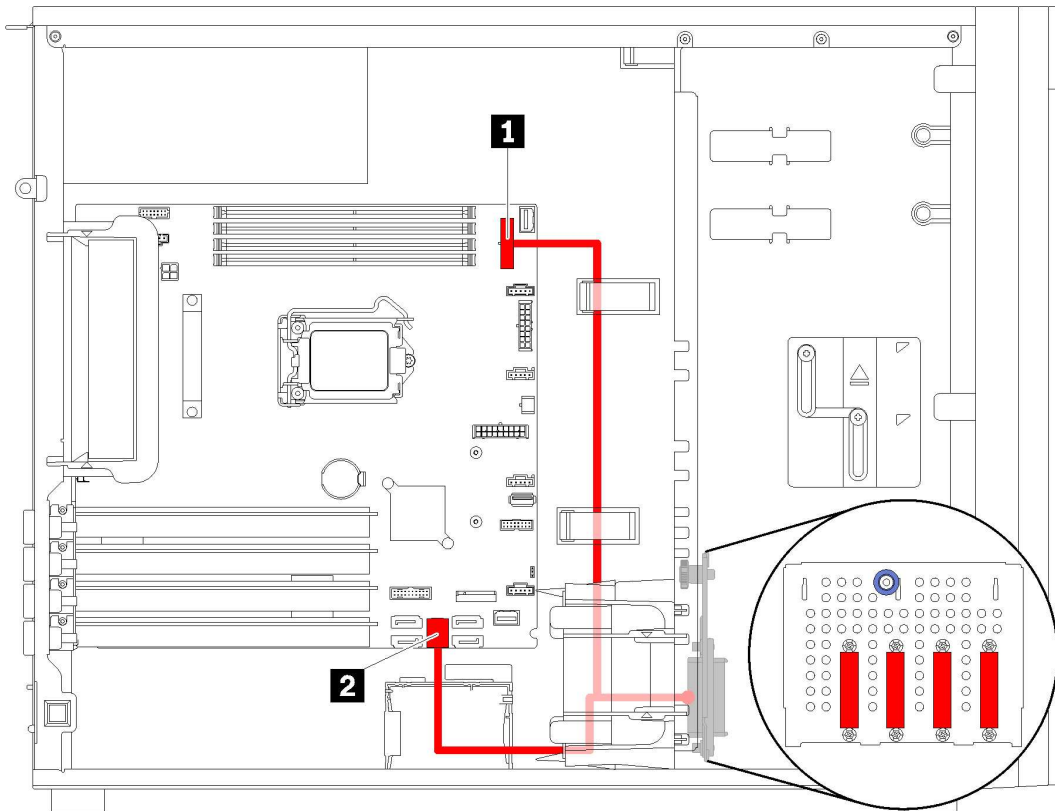


Figure 25. Cable routing for server models with four 3.5-inch simple-swap drives (software RAID)

Note: Ensure that all cables are routed through the correct cable clips.

Cable	From	To
Simple-swap disk drive cable	SAS connector on the backplate	1 Backplane 1 power connector on the system board
		2 SATA 0–3 connector on the system board

Server models with eight 3.5-inch simple-swap drives (software RAID)

Use this section to understand the cable routing for server models with eight 3.5-inch simple-swap drives (software RAID).

Note: Ensure that all cables are routed through the correct cable clips.

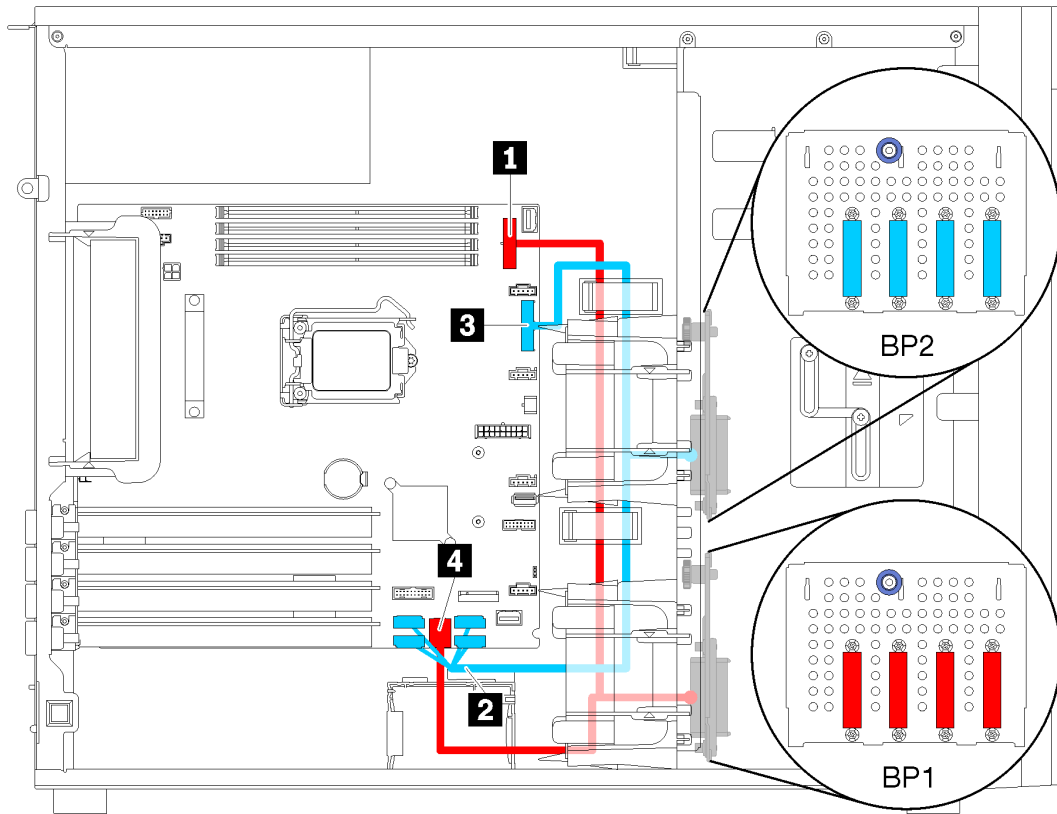


Figure 26. Cable routing for server models with eight 3.5-inch simple-swap drives (software RAID)

Cable	From	To
First simple-swap disk drive cable	SAS connector on the backplate	1 Backplane 1 power connector on the system board
		4 SATA 0–3 connector on the system board
Second simple-swap disk drive cable	SAS connector on the backplate	2 SATA 4–7 connector on the system board
		3 Backplane 2 power connector on the system board

Hot-swap-drive backplane

Use the section to understand the cable routing for hot-swap-drive backplanes.

This topic contains the following information:

- “Server models with eight 2.5-inch hot-swap drives (hardware RAID)” on page 43
- “Server models with sixteen 2.5-inch hot-swap drives (hardware RAID)” on page 44
- “Server models with four 3.5-inch hot-swap drives (hardware RAID)” on page 41
- “Server models with eight 3.5-inch hot-swap drives (hardware RAID)” on page 42
- “Server models with four 3.5-inch hot-swap drives and eight 2.5-inch hot-swap drives (hardware RAID)” on page 47

Before you route cables for backplanes, observe the following guidelines when select a PCIe slot:

- The NVMe adapter can be installed only in PCIe slot 2.
- Internal RAID adapters can be installed in either PCIe slot 1 or PCIe slot 2.

Server models with four 3.5-inch hot-swap drives (hardware RAID)

Use this section to understand the cable routing for server models with four 3.5-inch hot-swap SAS/SATA drives (hardware RAID).

Notes:

- Ensure that all cables are routed through the correct cable clips.
- Broken lines indicate the hidden parts.

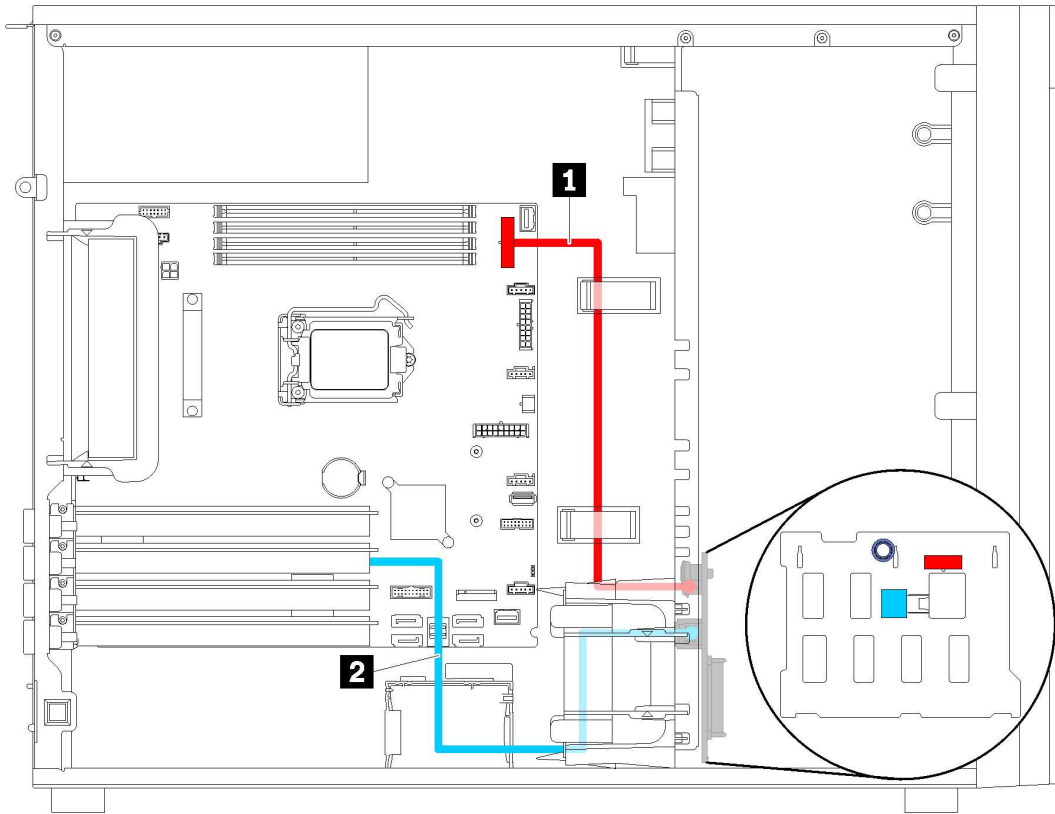


Figure 27. Cable routing for server models with four 3.5-inch hot-swap drives (hardware RAID)

Cable	From	To
1 Power cable for backplane 1	Power connector on backplane 1	Backplane 1 power connector on the system board
2 SAS signal cable for backplane 1	SAS connector on backplane 1	An available connector on the RAID adapter

Server models with eight 3.5-inch hot-swap drives (hardware RAID)

Use this section to understand the cable routing for server models with eight 3.5-inch hot-swap drives (hardware RAID).

Note: Ensure that all cables are routed through the correct cable clips.

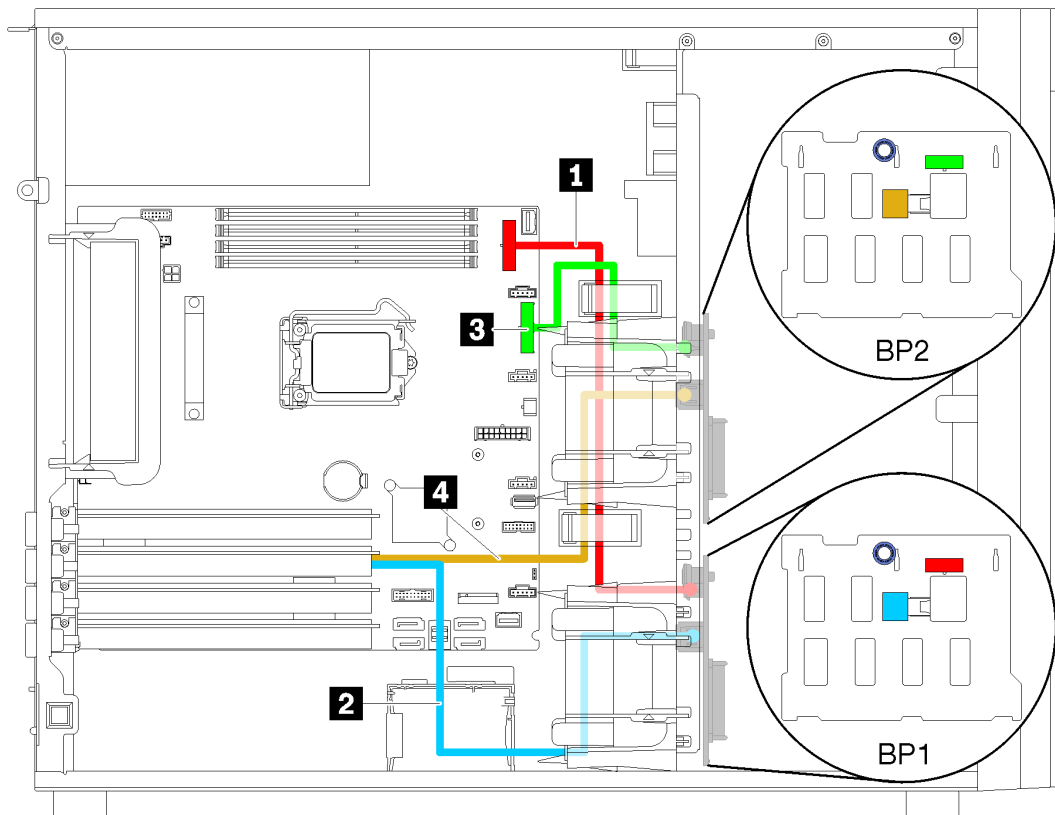


Figure 28. Cable routing for server models with eight 3.5-inch hot-swap drives (hardware RAID)

Cable	From	To
1 Power cable for backplane 1	Power connector on backplane 1	Backplane 1 power connector on the system board
2 SAS signal cable for backplane 1	SAS connector on backplane 1	An available connector on the RAID adapter
3 Power cable for backplane 2	Power connector on backplane 2	Backplane 2 power connector on the system board
4 SAS signal cable for backplane 2	SAS connector on backplane 2	An available connector on the RAID adapter

Server models with eight 2.5-inch hot-swap drives (hardware RAID)

Use this section to understand the cable routing for server models with eight 2.5-inch hot-swap drives (hardware RAID).

Note: Ensure that all cables are routed through the correct cable clips.

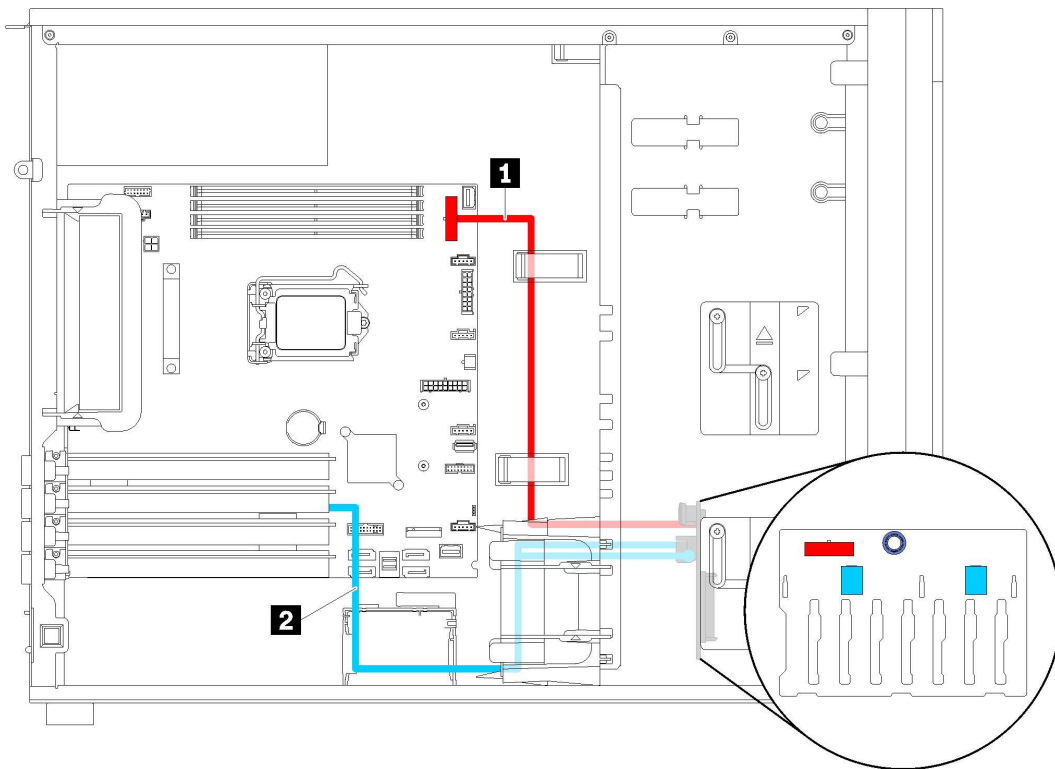


Figure 29. Cable routing for server models with eight 2.5-inch hot-swap drives (hardware RAID)

Cable	From	To
1 Power cable	Power connector on the backplane	Backplane 1 power connector on the system board
2 SAS signal cable	SAS 0 and SAS 1 connectors on the backplane	Connectors on the RAID adapter

Server models with sixteen 2.5-inch hot-swap drives (hardware RAID)

Use this section to understand the cable routing for server models with sixteen 2.5-inch hot-swap drives (hardware RAID).

Notes:

- There are two types of configurations:
 - Two 8i RAID adapters
 - One 16i RAID adapter
- Ensure that all cables are routed through the correct cable clips.

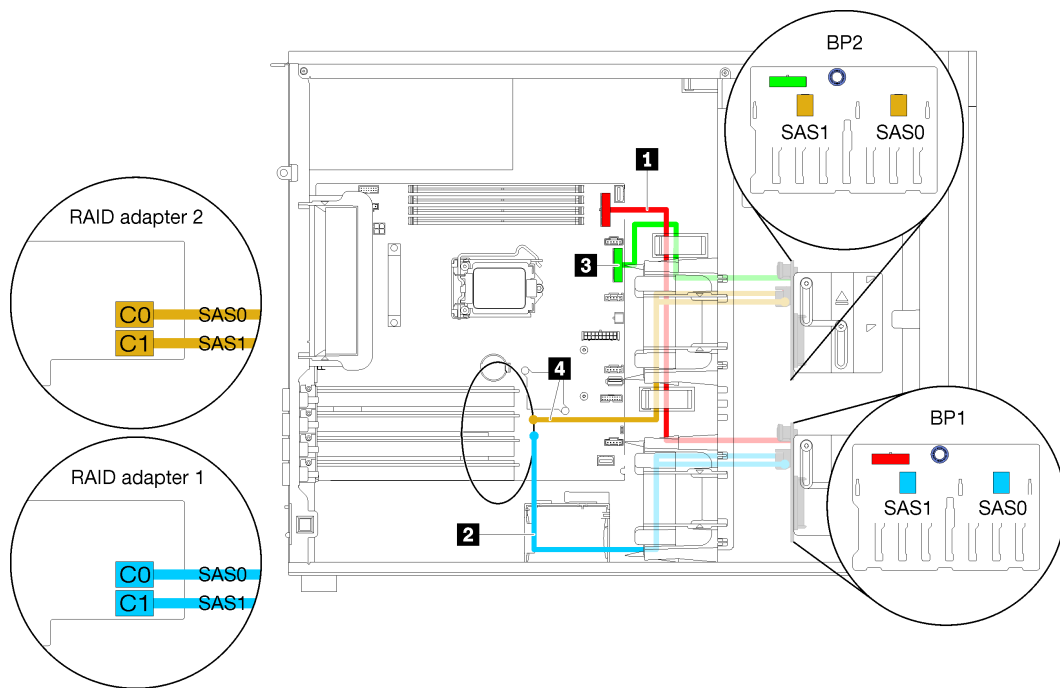


Figure 30. Cable routing server models with sixteen 2.5-inch hot-swap drives, two 8i RAID adapters (hardware RAID)

Cable	From	To
1 Power cable for backplane 1	Power connector on backplane 1	Backplane 1 power connector on the system board
2 SAS signal cable for backplane 1	SAS 0 and SAS 1 connectors on backplane 1	Connectors on RAID adapter 1
3 Power cable for backplane 2	Power connector on backplane 2	Backplane 2 power connector on the system board
4 SAS signal cable for backplane 2	SAS 0 and SAS 1 connectors on backplane 2	Connectors on RAID adapter 2

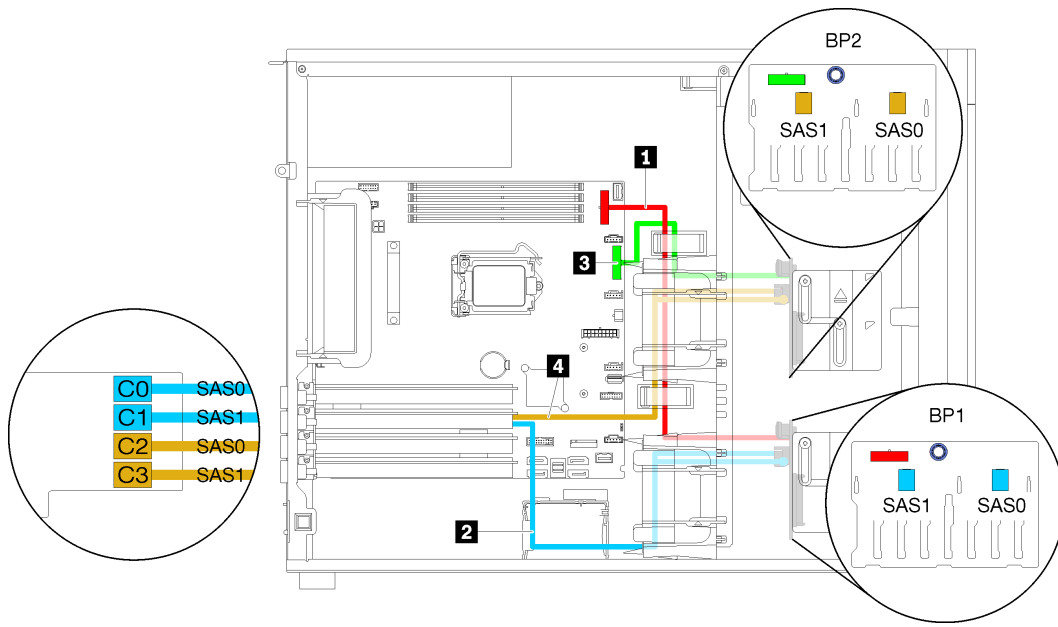


Figure 31. Cable routing server models with sixteen 2.5-inch hot-swap drives, one 16i RAID adapter (hardware RAID)

Cable	From	To
1 Power cable for backplane 1	Power connector on backplane 1	Backplane 1 power connector on the system board
2 SAS signal cable for backplane 1	SAS 0 and SAS 1 connectors on backplane 1	C0 and C1 connectors on the 16i RAID adapter
3 Power cable for backplane 2	Power connector on backplane 2	Backplane 2 power connector on the system board
4 SAS signal cable for backplane 2	SAS 0 and SAS 1 connectors on backplane 2	C2 and C3 connectors on the 16i RAID adapter

Server models with four 3.5-inch hot-swap drives and eight 2.5-inch hot-swap drives (hardware RAID)

Use this section to understand the cable routing for server models with four 3.5-inch hot-swap drives and eight 2.5-inch hot-swap drives (hardware RAID).

Server model: four 3.5-inch hot-swap drives and eight 2.5-inch hot-swap drives (hardware RAID)

Notes:

- There are two types of configurations:
 - Two 8i RAID adapters
 - One 16i RAID adapter
- Ensure that all cables are routed through the correct cable clips.

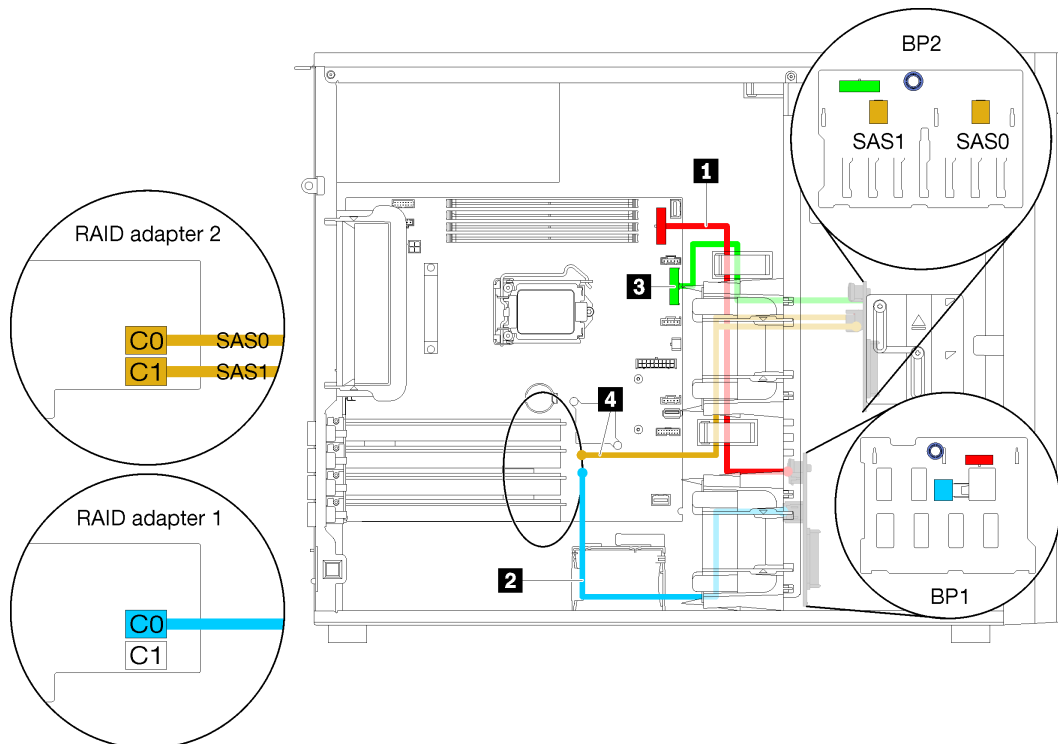


Figure 32. Cable routing for server models with four 3.5-inch hot-swap drives, eight 2.5-inch hot-swap drives, two 8i RAID adapters (hardware RAID)

Cable	From	To
1 Power cable for backplane 1	Power connector on backplane 1	Backplane 1 power connector on the system board
2 SAS signal cable for backplane 1	SAS connector on backplane 1	C0 connector on one 8i RAID adapter 1
3 Power cable for backplane 2	Power connector on backplane 2	Backplane 2 power connector on the system board
4 SAS signal cable for backplane 2	SAS 1 and SAS 2 connectors on backplane 2	C0 and C1 connectors on one 8i RAID adapter 2

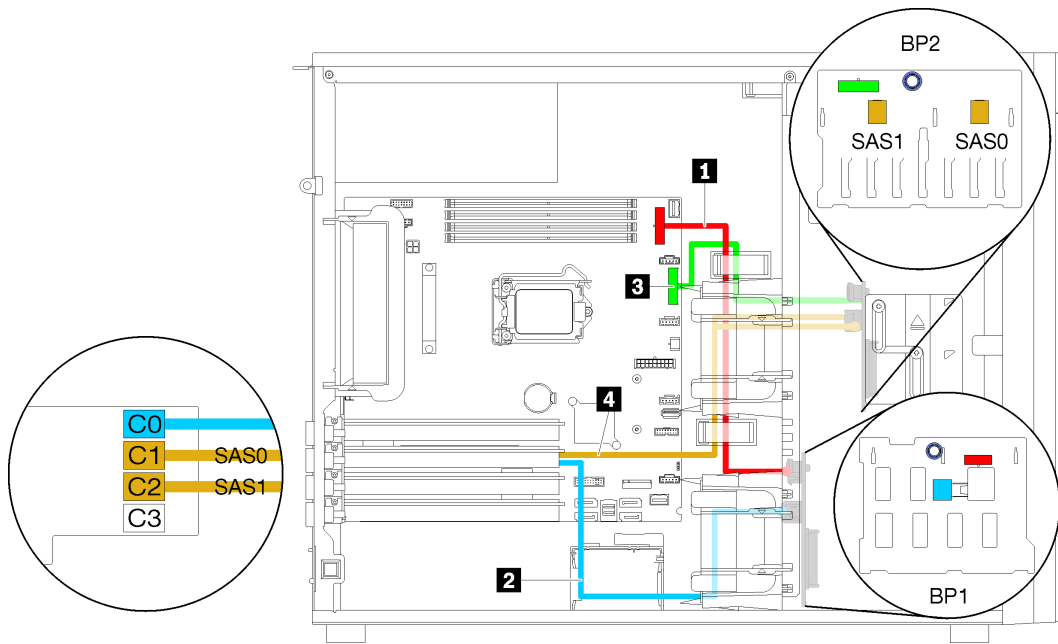


Figure 33. Cable routing for server models with four 3.5-inch hot-swap drives, eight 2.5-inch hot-swap drives, one 16i RAID adapter (hardware RAID)

Cable	From	To
1 Power cable for backplane 1	Power connector on backplane 1	Backplane 1 power connector on the system board
2 SAS signal cable for backplane 1	SAS connector on backplane 1	C0 connector on 16i RAID adapter
3 Power cable for backplane 2	Power connector on backplane 2	Backplane 2 power connector on the system board
4 SAS signal cable for backplane 2	SAS 1 and SAS 2 connectors on backplane 2	C1 and C2 connectors on 16i RAID adapter

Parts list

Use the parts list to identify each of the components that are available for your server.

For more information about ordering the parts shown in Figure 34 “Server components” on page 49:

<http://datacentersupport.lenovo.com/us/en/products/servers/thinksystem/st250/7y45/parts>

Note: Depending on the model, your server might look slightly different from the illustration.

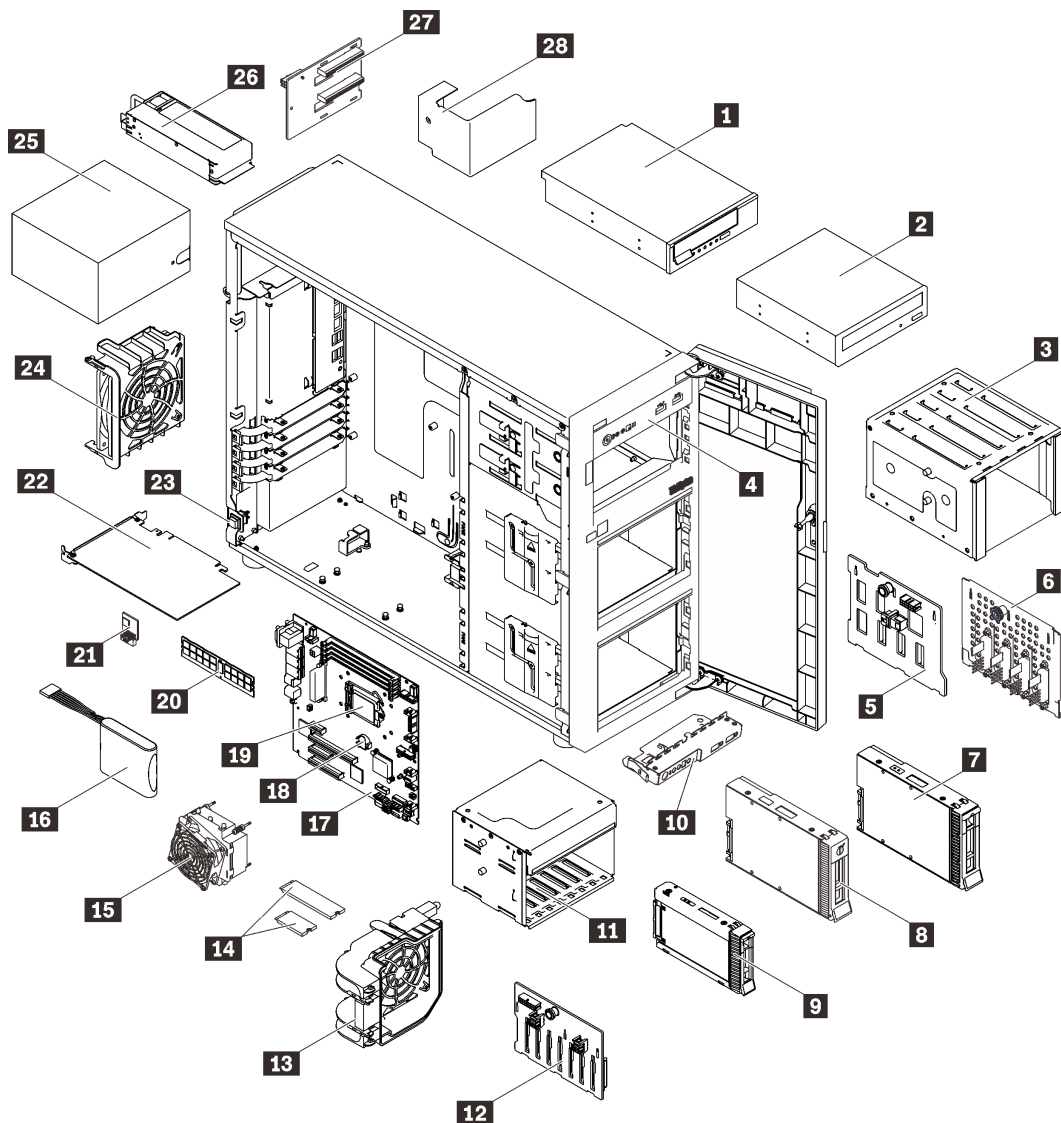


Figure 34. Server components

The parts listed in the following table are identified as one of the following:

- **Tier 1 customer replaceable unit (CRU):** Replacement of Tier 1 CRUs is your responsibility. If Lenovo installs a Tier 1 CRU at your request with no service agreement, you will be charged for the installation.
- **Tier 2 customer replaceable unit (CRU):** You may install a Tier 2 CRU yourself or request Lenovo to install it, at no additional charge, under the type of warranty service that is designated for your server.
- **Field replaceable unit (FRU):** FRUs must be installed only by trained service technicians.
- **Consumable and Structural parts:** Purchase and replacement of consumable and structural parts is your responsibility. If Lenovo acquires or installs a structural component at your request, you will be charged for the service.

Table 10. Parts listing

Index	Description	Tier 1 CRU	Tier 2 CRU	FRU	Consumable and Structural parts
<p>For more information about ordering the parts shown in Figure 34 “Server components” on page 49:</p> <p>http://datacentersupport.lenovo.com/us/en/products/servers/thinksystem/st250/7y45/parts</p> <p>It is highly recommended that you check the power summary data for your server using Lenovo Capacity Planner before purchasing any new parts.</p>					
1	5.25-inch LTO/RDX tape drive	√			
2	5.25-inch optical disk drive	√			
3	3.5-inch disk drive cage				√
4	Chassis				√
5	3.5-inch hot-swap drive backplane		√		
6	3.5-inch simple-swap drive backplate	√			
7	3.5-inch hot-swap drive	√			
8	3.5-inch simple-swap drive	√			
9	2.5-inch hot-swap drive	√			
10	Front panel board assembly	√			
11	2.5-inch disk drive cage				√
12	2.5-inch hot-swap drive backplane		√		
13	Front fan	√			
14	M.2 drive (42mm and 80mm)	√			
15	Heat sink fan assembly			√	
16	Flash power module	√			
17	System board			√	
18	CMOS battery (CR2032)				√
19	Processor			√	
20	DIMM	√			
21	TPM card			√	
22	PCIe adapter	√			
23	Intrusion switch	√			
24	Rear fan	√			
25	Fixed power supply unit		√		
26	Redundant power supply unit	√			

Table 10. Parts listing (continued)

Index	Description	Tier 1 CRU	Tier 2 CRU	FRU	Consumable and Structural parts
27	Power distribution board		√		
28	Power distribution board cover				√

Power cords

Several power cords are available, depending on the country and region where the server is installed.

To view the power cords that are available for the server:

1. Go to:

<http://dcsc.lenovo.com/#/>

2. Click **Preconfigured Model** or **Configure to order**.

3. Enter the machine type and model for your server to display the configurator page.

4. Click **Power** → **Power Cables** to see all line cords.

Notes:

- For your safety, a power cord with a grounded attachment plug is provided to use with this product. To avoid electrical shock, always use the power cord and plug with a properly grounded outlet.
- Power cords for this product that are used in the United States and Canada are listed by Underwriter's Laboratories (UL) and certified by the Canadian Standards Association (CSA).
- For units intended to be operated at 115 volts: Use a UL-listed and CSA-certified cord set consisting of a minimum 18 AWG, Type SVT or SJT, three-conductor cord, a maximum of 15 feet in length and a parallel blade, grounding-type attachment plug rated 15 amperes, 125 volts.
- For units intended to be operated at 230 volts (U.S. use): Use a UL-listed and CSA-certified cord set consisting of a minimum 18 AWG, Type SVT or SJT, three-conductor cord, a maximum of 15 feet in length and a tandem blade, grounding-type attachment plug rated 15 amperes, 250 volts.
- For units intended to be operated at 230 volts (outside the U.S.): Use a cord set with a grounding-type attachment plug. The cord set should have the appropriate safety approvals for the country in which the equipment will be installed.
- Power cords for a specific country or region are usually available only in that country or region.

Chapter 3. Hardware replacement procedures

This section provides installation and removal procedures for all serviceable system components. Each component replacement procedure references any tasks that need to be performed to gain access to the component being replaced.

For more information about ordering parts:

1. Go to <http://datacentersupport.lenovo.com> and navigate to the support page for your server.
2. Click **Service Parts**.
3. Enter the serial number to view a listing of parts for your server.

Note: If you replace a part, such as an adapter, that contains firmware, you might also need to update the firmware for that part. For more information about updating firmware, see “Firmware updates” on page 9.

Installation guidelines

Before installing components in your server, read the installation guidelines.

Before installing optional devices, read the following notices carefully:

Attention: Prevent exposure to static electricity, which might lead to system halt and loss of data, by keeping static-sensitive components in their static-protective packages until installation, and handling these devices with an electrostatic-discharge wrist strap or other grounding system.

- Read the safety information and guidelines to ensure that you work safely.
 - A complete list of safety information for all products is available at: http://thinksystem.lenovofiles.com/help/topic/safety_documentation/pdf_files.html
 - “Handling static-sensitive devices” on page 55
- Make sure the components you are installing are supported by the server. For a list of supported optional components for the server, see <https://static.lenovo.com/us/en/serverproven/index.shtml>.
- When you install a new server, download and apply the latest firmware. This will help ensure that any known issues are addressed, and that your server is ready to work with optimal performance. Go to [ThinkSystem ST250 Drivers and Software](#) to download firmware updates for your server.

Important: Some cluster solutions require specific code levels or coordinated code updates. If the component is part of a cluster solution, verify that the latest level of code is supported for the cluster solution before you update the code.

- It is good practice to make sure that the server is working correctly before you install an optional component.
- Keep the working area clean, and place removed components on a flat and smooth surface that does not shake or tilt.
- Do not attempt to lift an object that might be too heavy for you. If you have to lift a heavy object, read the following precautions carefully:
 - Make sure that you can stand steadily without slipping.
 - Distribute the weight of the object equally between your feet.
 - Use a slow lifting force. Never move suddenly or twist when you lift a heavy object.
 - To avoid straining the muscles in your back, lift by standing or by pushing up with your leg muscles.

- Make sure that you have an adequate number of properly grounded electrical outlets for the server, monitor, and other devices.
- Back up all important data before you make changes related to the disk drives.
- Have a small flat-blade screwdriver, a small Phillips screwdriver, and a T8 torx screwdriver available.
- You do not have to turn off the server to remove or install hot-swap power supplies or hot-plug USB devices. However, you must turn off the server before you perform any steps that involve removing or installing adapter cables, and you must disconnect the power source from the server before you perform any steps that involve removing or installing a DIMM.
- Blue on a component indicates touch points, where you can grip to remove a component from or install it in the server, open or close a latch, and so on.
- Orange on a component or an orange label on or near a component indicates that the component can be hot-swapped if the server and operating system support hot-swap capability, which means that you can remove or install the component while the server is still running. (Orange can also indicate touch points on hot-swap components.) See the instructions for removing or installing a specific hot-swap component for any additional procedures that you might have to perform before you remove or install the component.
- The Red strip on the drives, adjacent to the release latch, indicates that the drive can be hot-swapped if the server and operating system support hot-swap capability. This means that you can remove or install the drive while the server is still running.

Note: See the system specific instructions for removing or installing a hot-swap drive for any additional procedures that you might need to perform before you remove or install the drive.

- After finishing working on the server, make sure you reinstall all safety shields, guards, labels, and ground wires.

System reliability guidelines

Review the system reliability guidelines to ensure proper system cooling and reliability.

Make sure the following requirements are met:

- When the server comes with redundant power, a power supply must be installed in each power-supply bay.
- Adequate space around the server must be spared to allow server cooling system to work properly. Leave approximately 50 mm (2.0 in.) of open space around the front and rear of the server. Do not place any object in front of the fans.
- For proper cooling and airflow, refit the server cover before you turn the power on. Do not operate the server for more than 30 minutes with the server cover removed, for it might damage server components.
- Cabling instructions that come with optional components must be followed.
- A failed fan must be replaced within 48 hours since malfunction.
- A removed hot-swap drive must be replaced within two minutes after removal.
- A removed hot-swap power supply must be replaced within two minutes after removal.
- Every air baffle that comes with the server must be installed when the server starts (some servers might come with more than one air baffle). Operating the server with a missing air baffle might damage the processor.
- All processor sockets must contain either a socket cover or a processor with heat sink.
- When more than one processor is installed, fan population rules for each server must be strictly followed.

Working inside the server with the power on

You might need to keep the power on with the server cover removed to look at system information on the display panel or to replace hot-swap components. Review these guidelines before doing so.

Attention: The server might stop and loss of data might occur when internal server components are exposed to static electricity. To avoid this potential problem, always use an electrostatic-discharge wrist strap or other grounding systems when working inside the server with the power on.

- Avoid loose-fitting clothing, particularly around your forearms. Button or roll up long sleeves before working inside the server.
- Prevent your necktie, scarf, badge rope, or long hair from dangling into the server.
- Remove jewelry, such as bracelets, necklaces, rings, cuff links, and wrist watches.
- Remove items from your shirt pocket, such as pens and pencils, in case they fall into the server as you lean over it.
- Avoid dropping any metallic objects, such as paper clips, hairpins, and screws, into the server.

Handling static-sensitive devices

Review these guidelines before you handle static-sensitive devices to reduce the possibility of damage from electrostatic discharge.

Attention: Prevent exposure to static electricity, which might lead to system halt and loss of data, by keeping static-sensitive components in their static-protective packages until installation, and handling these devices with an electrostatic-discharge wrist strap or other grounding system.




- Limit your movement to prevent building up static electricity around you.
- Take additional care when handling devices during cold weather, for heating would reduce indoor humidity and increase static electricity.
- Always use an electrostatic-discharge wrist strap or other grounding system.
- While the device is still in its static-protective package, touch it to an unpainted metal surface on the outside of the server for at least two seconds. This drains static electricity from the package and from your body.
- Remove the device from the package and install it directly into the server without putting it down. If it is necessary to put the device down, put it back into the static-protective package. Never place the device on the server or on any metal surface.
- When handling a device, carefully hold it by the edges or the frame.
- Do not touch solder joints, pins, or exposed circuitry.
- Keep the device from others' reach to prevent possible damages.

3.5-inch/2.5-inch drive cage replacement

Use this information to remove and install the 3.5-inch/2.5-inch drive cage.

Remove the 3.5-inch/2.5-inch drive cage

Use this information to remove the 3.5-inch/2.5-inch drive drive cage.

 <p>“Read the installation Guidelines” on page 53</p>	 <p>“Power off the server for this task” on page 14</p>	 <p>“ATTENTION: Static Sensitive Device Ground package before opening” on page 55</p>
---	---	--

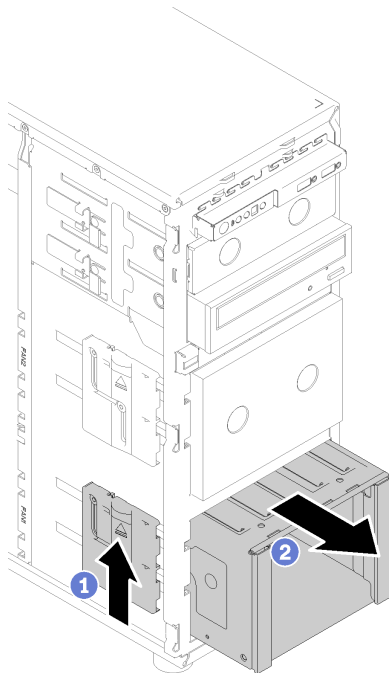
Before removing the drive cage:

1. **Watch the procedure.** A video of this procedure is available from the following links:
 - Youtube: <https://www.youtube.com/playlist?list=PLYV5R7hVcs-Dy5N2dPxFx5Pht-FljAi6S>
 - Youku: https://list.youku.com/albumlist/show/id_51977169
2. If the server is in a rack, remove it from the rack.
3. Remove any locking device that secures the server cover, such as a Kensington lock or a pad lock.
4. Remove the server cover (see “Remove the server cover” on page 134).

To remove the drive cage, complete the following steps:

- Step 1. Remove the front door (see “Remove the front door” on page 90).
- Step 2. Remove the front bezel (see “Remove the front bezel” on page 88).

Figure 35. Drive cage removal



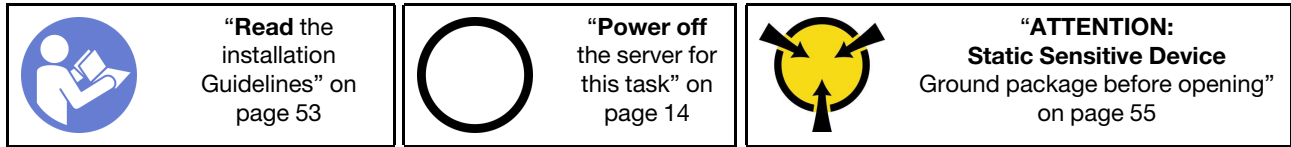
- Step 3. Remove any drives or drive bay fillers and set them aside on a static-protective surface (see “Remove a hot-swap drive” on page 76 or “Remove a simple-swap drive” on page 73).
- Step 4. Remove the system fan. See “Remove the front system fan” on page 80.
- Step 5. Disconnect the cables from the backplane or backplate.
- Step 6. Press and hold the drive cage release latch; then, carefully pull the drive cage out of the opening in the chassis.
- Step 7. Remove the backplane or backplate (see “Remove the 3.5-inch/2.5-inch hot-swap drive backplane” on page 58 or “Remove the 3.5-inch simple-swap drive backplate” on page 61).

After removing the drive cage:

If you are instructed to return the defective component, please package the part to prevent any shipping damage. Reuse the packaging the new part arrived in and follow all packaging instructions.

Install the 3.5-inch/2.5-inch drive cage

Use this information to install the 3.5-inch/2.5-inch drive cage.



Before installing the drive cage:

1. **Watch the procedure.** A video of this procedure is available from the following links:
 - Youtube: <https://www.youtube.com/playlist?list=PLYV5R7hVcs-Dy5N2dPXFx5Pht-FIjAi6S>
 - Youku: https://list.youku.com/albumlist/show/id_51977169

To install the drive cage, complete the following steps:

- Step 1. Install the backplane or backplate (see “Install the 3.5-inch/2.5-inch hot-swap drive backplane” on page 59 or “Install the 3.5-inch simple-swap drive backplate” on page 62).
- Step 2. Press the drive cage in until the release latch clicks into place.

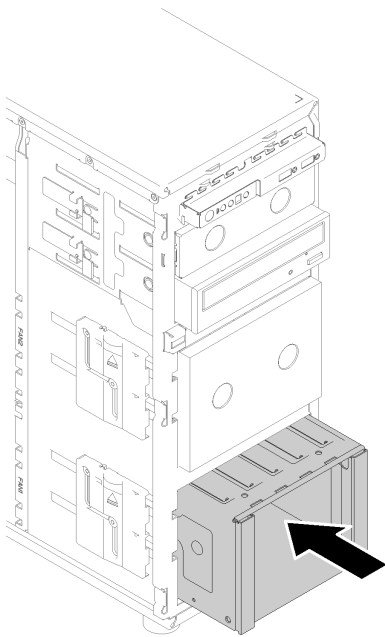


Figure 36. Drive cage installation

After installing the drive cage:

1. Install the system fan (see “Install the front system fan” on page 81).
2. Reinstall all the drives and drive bay fillers (if any) into the drive cage (see “Install a hot-swap drive” on page 78 or “Installing a 2.5-inch SSD into a 3.5-inch drive bay” on page 65).
3. Reconnect the cables to the backplane or backplate.
4. Complete the parts replacement. See “Complete the parts replacement” on page 153

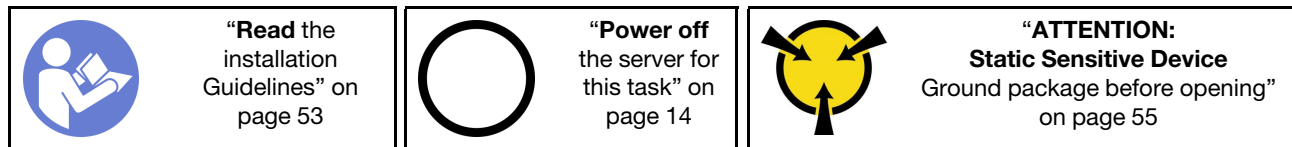
2.5-inch/3.5-inch hot-swap drive backplane replacement

Use this information to remove and install a 2.5-inch/3.5-inch hot-swap drive backplane.

This topic applies only to server models that have hot-swap drives installed.

Remove the 3.5-inch/2.5-inch hot-swap drive backplane

Use this information to remove the 3.5-inch/2.5-inch hot-swap drive backplane.



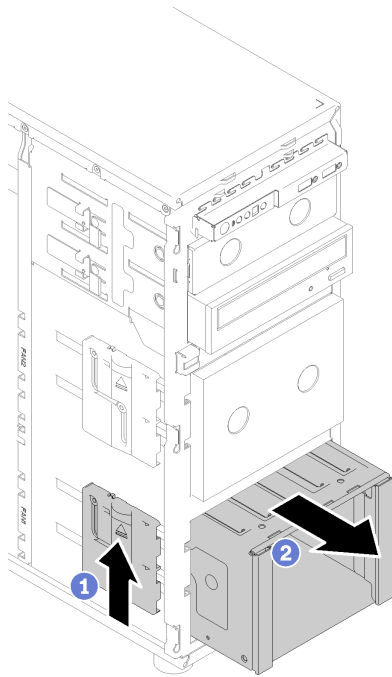
Before removing the hot-swap drive backplane:

1. **Watch the procedure.** A video of this procedure is available from the following links:
 - Youtube: <https://www.youtube.com/playlist?list=PLYV5R7hVcs-Dy5N2dPXFx5Pht-FljAi6S>
 - Youku: https://list.youku.com/albumlist/show/id_51977169
2. If the server is in a rack, remove it from the rack.
3. Remove any locking device that secures the server cover, such as a Kensington lock or a pad lock.
4. Remove the server cover (see “Remove the server cover” on page 134).

To remove the hot-swap drive backplane, complete the following steps:

- Step 1. Remove the front door (see “Remove the front door” on page 90).
- Step 2. Remove the front bezel (see “Remove the front bezel” on page 88).
- Step 3. Remove all installed drives and drive bay fillers (if any) from the drive cage. See “Remove a hot-swap drive” on page 76 or “Removing a 2.5-inch SSD from a 3.5-inch drive bay” on page 63.
- Step 4. Remove the system fan. (see “Remove the front system fan” on page 80).
- Step 5. Disconnect all the cables from the backplane.
- Step 6. Lift the release latch and slide the drive cage out of the chassis.

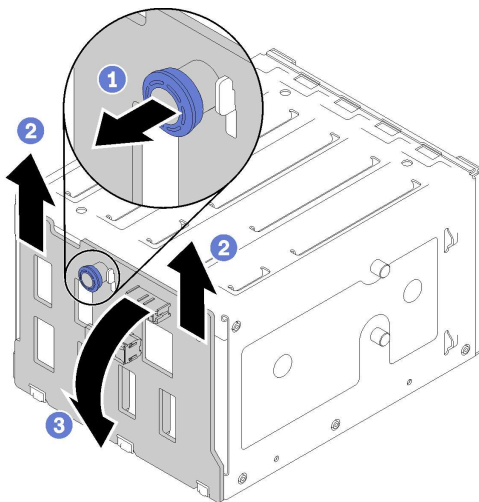
Figure 37. Drive cage removal



Step 7. Open the plunger that secures the backplane

Step 8. Slightly lift the backplane to disengage it from the drive cage; then, remove the backplane from the drive cage.

Figure 38. Hot-swap drive backplane removal

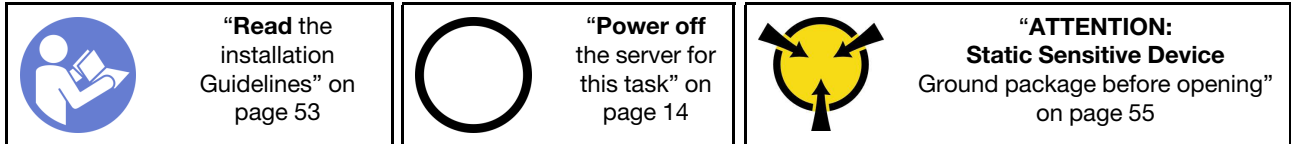


After removing the hot-swap drive backplane:

If you are instructed to return the defective component, please package the part to prevent any shipping damage. Reuse the packaging the new part arrived in and follow all packaging instructions.

Install the 3.5-inch/2.5-inch hot-swap drive backplane

Use this information to install the 3.5-inch/2.5-inch hot-swap drive backplane.



Before installing a hot-swap drive backplane:

1. **Watch the procedure.** A video of this procedure is available from the following links:
 - Youtube: <https://www.youtube.com/playlist?list=PLYV5R7hVcs-Dy5N2dPXFx5Pht-FljAi6S>
 - Youku: https://list.youku.com/albumlist/show/id_51977169

To install a hot-swap drive backplane, complete the following steps:

- Step 1. Position the backplane on the drive cage so that the tabs on the drive cage are inserted into the corresponding holes in the backplane; then, align bottom of backplane inside the bottom tabs of the drive cage.
- Step 2. While pulling the plunger, slide down the backplane until it is seated at the bottom of the drive cage; then, close the plunger to secure the backplane into position.

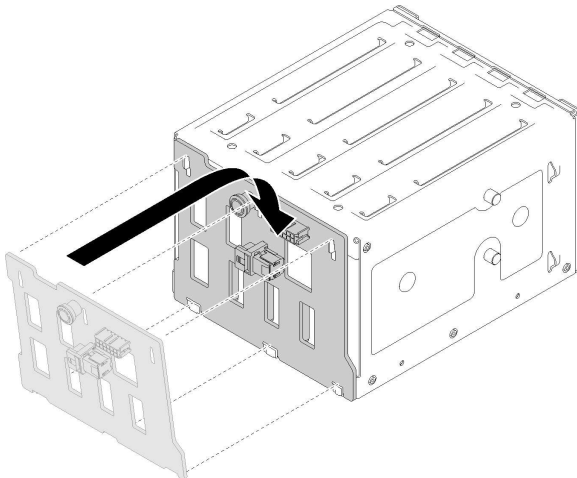


Figure 39. Hot-swap drive backplane installation

- Step 3. Install the drive cage into the chassis (see “Install the 3.5-inch/2.5-inch drive cage” on page 57).

After installing the backplane:

1. Reinstall all the hot-swap drives and drive bay fillers (if any) into the drive cage (see “Install a hot-swap drive” on page 78 or “Installing a 2.5-inch SSD into a 3.5-inch drive bay” on page 65).
2. Reconnect the cables to the backplane.
3. Reinstall the system fan (see “Install the front system fan” on page 81).
4. Complete the parts replacement. See “Complete the parts replacement” on page 153

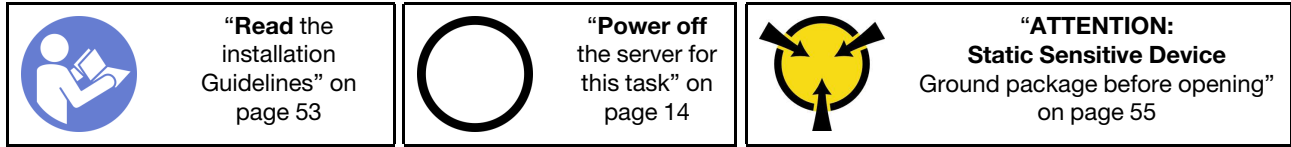
3.5-inch simple-swap drive backplate replacement

Use this information to remove and install a 3.5-inch simple-swap drive backplate.

Note: This section applies only to server models that have 3.5-inch simple-swap drive backplates installed.

Remove the 3.5-inch simple-swap drive backplate

Use this information to remove the 3.5-inch simple-swap drive backplate.



Before removing the simple-swap drive backplate:

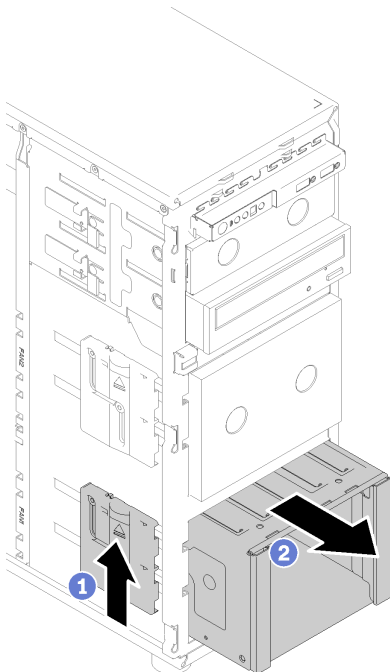
1. **Watch the procedure.** A video of this procedure is available from the following links:
 - Youtube: <https://www.youtube.com/playlist?list=PLYV5R7hVcs-Dy5N2dPXFx5Pht-FljAi6S>
 - Youku: https://list.youku.com/albumlist/show/id_51977169
2. If the server is in a rack, remove it from the rack.
3. Remove any locking device that secures the server cover, such as a Kensington lock or a pad lock.
4. Remove the server cover (see “Remove the server cover” on page 134).

To remove the simple-swap drive backplate, complete the following steps:

- Step 1. Remove the front door (see “Remove the front door” on page 90).
- Step 2. Remove the front bezel. (see “Remove the front bezel” on page 88).
- Step 3. Remove the front system fan. (see “Remove the front system fan” on page 80).
- Step 4. Remove all the installed simple-swap drives and drive bay fillers (if any) from the drive cage, then disconnect all the cables from the backplate. See “Remove a simple-swap drive” on page 73 or “Removing a 2.5-inch SSD from a 3.5-inch drive bay” on page 63.
- Step 5. Lift the release latch and slide the drive cage out of the chassis.

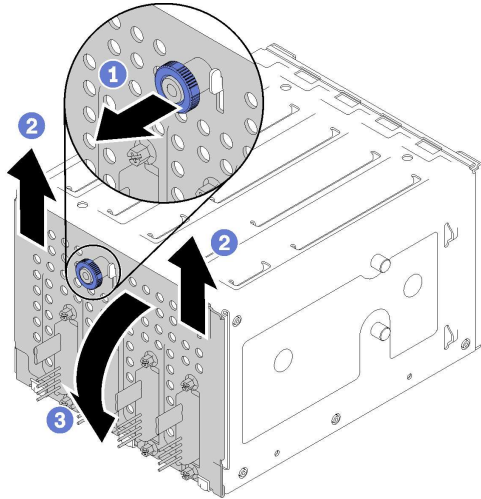
Note: Depending on the model, your drive cage might look slightly different from the illustration.

Figure 40. Drive cage removal



- Step 6. Open the plunger that secures the backplate
- Step 7. Slightly lift the backplate to disengage it from the drive cage; then, remove the backplate from the drive cage.

Figure 41. Simple-swap drive backplate removal


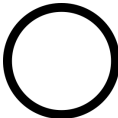



After removing the simple-swap drive backplate:

If you are instructed to return the defective component, please package the part to prevent any shipping damage. Reuse the packaging the new part arrived in and follow all packaging instructions.

Install the 3.5-inch simple-swap drive backplate

Use this information to install the 3.5-inch simple-swap drive backplate.

 <p>“Read the installation Guidelines” on page 53</p>	 <p>“Power off the server for this task” on page 14</p>	 <p>“ATTENTION: Static Sensitive Device Ground package before opening” on page 55</p>
--	--	---

Before installing a simple-swap drive backplate:

1. **Watch the procedure.** A video of this procedure is available from the following links:
 - Youtube: <https://www.youtube.com/playlist?list=PLYV5R7hVcs-Dy5N2dPXFx5Pht-FIjAi6S>
 - Youku: https://list.youku.com/albumlist/show/id_51977169

To install a simple-swap drive backplate, complete the following steps:

- Step 1. Position the backplate on the drive cage so that the tabs on the drive cage are inserted into the corresponding holes in the backplate.
- Step 2. Close the plunger to secure the backplate into position.

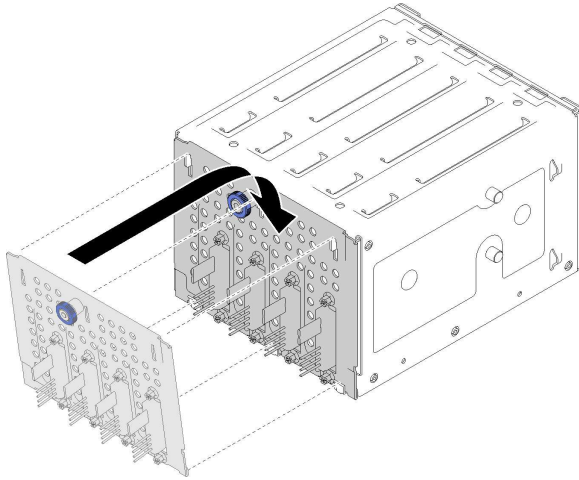


Figure 42. Simple-swap drive backplate installation

Step 3. Press the drive cage in until the release latch clicks into place (see “Install the 3.5-inch/2.5-inch drive cage” on page 57).

After installing the backplate:

1. Reinstall all the simple-swap drives and drive bay fillers (if any) into the drive cage (see “Install a simple-swap drive” on page 75 or “Installing a 2.5-inch SSD into a 3.5-inch drive bay” on page 65).
2. Reconnect the cables to the backplate.
3. Reinstall the system fan (see “Install the front system fan” on page 81).
4. Complete the parts replacement. See “Complete the parts replacement” on page 153

2.5-inch SSD replacement from 3.5-inch drive bay

Use this information to remove and install a 2.5-inch SSD from a 3.5-inch drive bay.

The EMI integrity and cooling of the server are protected by having all drive bays covered or occupied. The number of the installed simple-swap disk drives in your server varies depending on the server model. The vacant bays are occupied by dummy trays. When you install a drive, save the removed dummy tray from the drive bay in case you later remove the drive and need the dummy tray to cover the place.

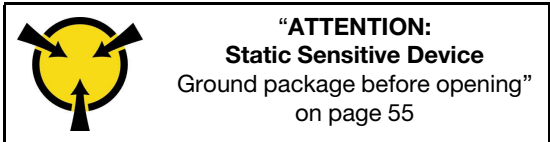
Attention: An unoccupied drive bay without any other protection might impact the EMI integrity and cooling of the server, which might result in overheating or component damage. To maintain the EMI integrity and cooling of the server, install a new SSD as soon as you remove the failing one or the dummy tray.

Before you begin, review the following drive installation rules:

- Follow the order of the disk drive bays when installing a SSD. See Chapter 2 “Server components” on page 15 to locate the disk drive bays in your server.
- For SSDs with different capacities, install the drive by following the order of the disk drive bays as well as the order from the lowest capacity to the highest capacity.

Removing a 2.5-inch SSD from a 3.5-inch drive bay

Use this information to remove 2.5-inch SSD from a 3.5-inch drive bay.



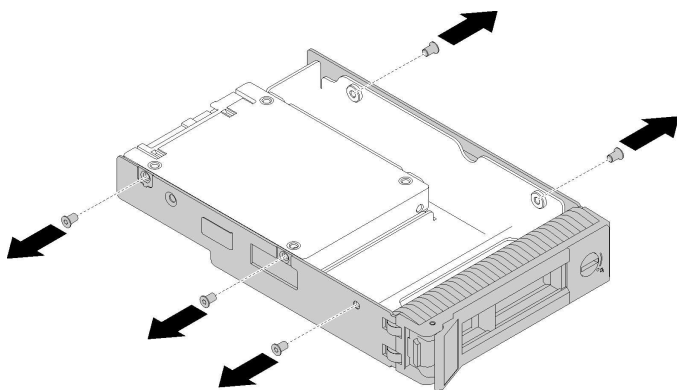
Before removing a 2.5-inch SSD from a 3.5-inch drive bay:

1. **Watch the procedure.** A video of this procedure is available from the following links:
 - Youtube: <https://www.youtube.com/playlist?list=PLYV5R7hVcs-Dy5N2dPXFx5Pht-FljAi6S>
 - Youku: https://list.youku.com/albumlist/show/id_51977169
2. Use the front door key to unlock the front door (available on some models), and then open the front door.

To remove a 2.5-inch SSD from a 3.5-inch drive bay, complete the following steps:

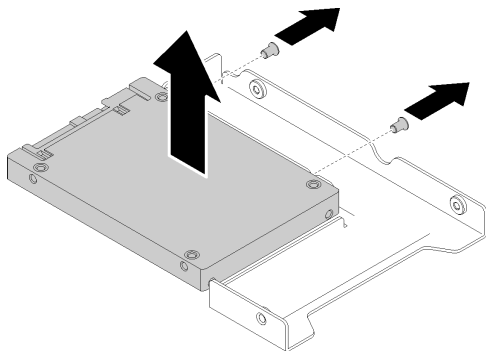
- Step 1. Locate the drive you want to remove.
- Step 2. Remove the 3.5-inch drive tray with the 2.5-inch SSD (see “Remove a simple-swap drive” on page 73).
- Step 3. Remove the five screws that secure the 2.5-inch SSD and the drive adapter; then, remove the 2.5-inch SSD and the drive adapter from the tray.

Figure 43. Removing the screws that secure the 2.5-inch SSD and the drive adapter



- Step 4. Remove the two screws that secure the 2.5-inch SSD; then, lift the drive up to remove it from the drive adapter.

Figure 44. 2.5-inch SSD removal from the drive adapter

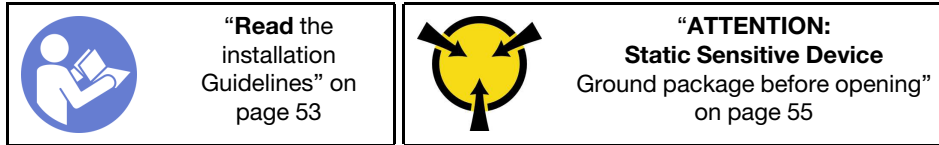


After removing the 2.5-inch SSD from a 3.5-inch drive bay:

If you are instructed to return the defective component, please package the part to prevent any shipping damage. Reuse the packaging the new part arrived in and follow all packaging instructions.

Installing a 2.5-inch SSD into a 3.5-inch drive bay

Use this information to install a 2.5-inch SSD into a 3.5-inch drive bay.



Before installing a 2.5-inch SSD into a 3.5-inch drive bay:

1. **Watch the procedure.** A video of this procedure is available from the following links:

- Youtube: <https://www.youtube.com/playlist?list=PLYV5R7hVcs-Dy5N2dPXFx5Pht-FljAi6S>
- Youku: https://list.youku.com/albumlist/show/id_51977169

To install a 2.5-inch SSD into a 3.5-inch drive bay, complete the following steps:

- Step 1. Locate the appropriate drive bay.
- Step 2. If necessary, remove the 3.5-inch drive tray.
- Step 3. Position the 2.5-inch SSD into the 2.5-inch to 3.5-inch drive adapter.

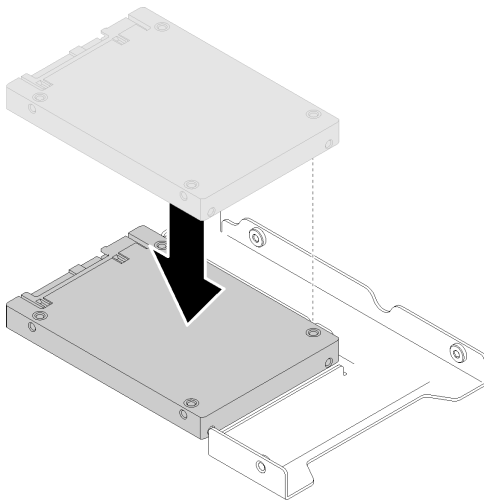


Figure 45. Positioning the 2.5-inch SSD into the drive adapter

- Step 4. Align the two screw holes in the SSD with the corresponding holes in the drive adapter; then, install the two screws to secure the drive to the drive adapter.

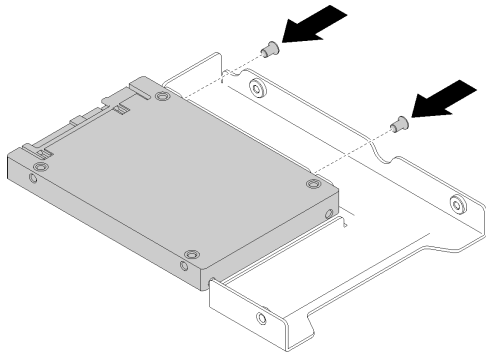


Figure 46. Screw installation to secure the SSD to the drive adapter

Step 5. Position the drive adapter with the SSD into the 3.5-inch drive tray. Align the screw holes in the drive adapter and the SSD with the corresponding holes in the tray; then, install the five screws to secure the drive adapter and the SSD into the tray.

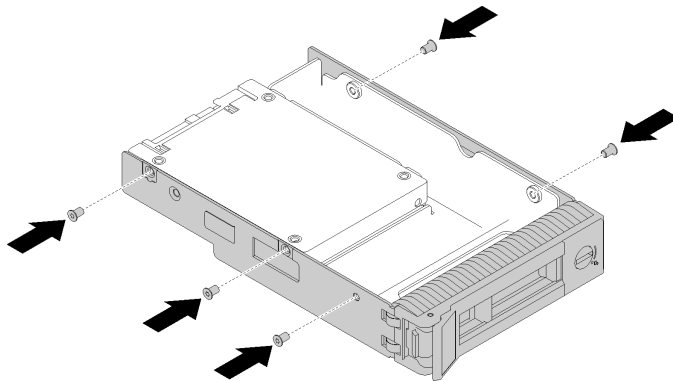


Figure 47. Screw installation to secure the drive adapter and the SSD to the drive tray

Step 6. Slide the tray with the SSD into the drive bay from the front until it snaps into position and then completely close the handle. See “Install a hot-swap drive” on page 78 .

After installing the SSD:

1. Install other drives if necessary.
2. Complete the parts replacement. See “Complete the parts replacement” on page 153

CMOS battery (CR2032) replacement

Use this information to remove and install the CMOS battery (CR2032).

Remove the CMOS battery (CR2032)

Use this information to remove the CMOS battery (CR2032).

	<p>“Read the installation Guidelines” on page 53</p>	<p>“Power off the server for this task” on page 14</p>	<p>“ATTENTION: Static Sensitive Device Ground package before opening” on page 55</p>
--	--	--	--

S004



CAUTION:

When replacing the lithium battery, use only Lenovo specified part number or an equivalent type battery recommended by the manufacturer. If your system has a module containing a lithium battery, replace it only with the same module type made by the same manufacturer. The battery contains lithium and can explode if not properly used, handled, or disposed of.

Do not:

- Throw or immerse into water
- Heat to more than 100°C (212°F)
- Repair or disassemble

Dispose of the battery as required by local ordinances or regulations.

S002



CAUTION:

The power-control button on the device and the power switch on the power supply do not turn off the electrical current supplied to the device. The device also might have more than one power cord. To remove all electrical current from the device, ensure that all power cords are disconnected from the power source.

Before removing the CMOS battery:

1. **Watch the procedure.** A video of this procedure is available from the following links:
 - Youtube: <https://www.youtube.com/playlist?list=PLYV5R7hVcs-Dy5N2dPXFx5Pht-FIjAi6S>
 - Youku: https://list.youku.com/albumlist/show/id_51977169
2. If the server is in a rack, remove it from the rack.
3. Remove any locking device that secures the server cover, such as a Kensington lock or a pad lock.
4. Remove the server cover (see “Remove the server cover” on page 134).

Step 1. Locate the CMOS battery on the system board (see “System board components” on page 29).

Step 2. Press on the nub on the side of the CMOS battery; then, pivot the battery away from the socket to remove it.

Attention: Do not apply excessive force on the CMOS battery. Failing to remove the CMOS battery properly might damage the socket on the system board. Any damage to the socket might require replacing the system board.




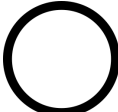

Figure 48. Removing the CMOS battery

After removing the CMOS battery:

1. Install a new CMOS battery. See “Install the CMOS battery (CR2032)” on page 68.
2. If you are instructed to return the defective component, please package the part to prevent any shipping damage. Reuse the packaging the new part arrived in and follow all packaging instructions.

Install the CMOS battery (CR2032)

Use this information to install the CMOS battery (CR2032).

 <p>“Read the installation Guidelines” on page 53</p>	 <p>“Power off the server for this task” on page 14</p>	 <p>“ATTENTION: Static Sensitive Device Ground package before opening” on page 55</p>
---	---	--

Consider the following when replacing the CMOS battery in the server:

- When replacing the CMOS battery, you must replace it with another CMOS battery of the same type from the same manufacturer.
- After replacing the CMOS battery, make sure to reconfigure the server and reset system date and time.
- To avoid possible danger, read and follow the following safety statement carefully.
- Lenovo has designed this product with your safety in mind. The lithium battery must be handled correctly to avoid possible danger. If you install the CMOS battery, you must adhere to the following instructions.

Note: In the U. S., call 1-800-IBM-4333 for information about battery disposal.

- If you replace the original lithium battery with a heavy-metal battery or a battery with heavy-metal components, be aware of the following environmental consideration. Batteries and accumulators that contain heavy metals must not be disposed of with normal domestic waste. They will be taken back free of charge by the manufacturer, distributor, or representative, to be recycled or disposed of in a proper manner.

S004



CAUTION:

When replacing the lithium battery, use only Lenovo specified part number or an equivalent type battery recommended by the manufacturer. If your system has a module containing a lithium battery, replace it only with the same module type made by the same manufacturer. The battery contains lithium and can explode if not properly used, handled, or disposed of.

Do not:

- Throw or immerse into water
- Heat to more than 100°C (212°F)
- Repair or disassemble

Dispose of the battery as required by local ordinances or regulations.

S002



CAUTION:

The power-control button on the device and the power switch on the power supply do not turn off the electrical current supplied to the device. The device also might have more than one power cord. To remove all electrical current from the device, ensure that all power cords are disconnected from the power source.

Before install the CMOS battery:

1. **Watch the procedure.** A video of this procedure is available from the following links:
 - Youtube: <https://www.youtube.com/playlist?list=PLYV5R7hVcs-Dy5N2dPXFx5Pht-FIjAi6S>
 - Youku: https://list.youku.com/albumlist/show/id_51977169
2. Touch the static-protective package that contains the component to any unpainted metal surface on the server; then, remove it from the package and place it on a static-protective surface.

To install the CMOS battery, complete the following steps:

- Step 1. Place the CMOS battery on top of the socket with the positive (+) symbol facing up; then, push the battery into the socket until it clicks in place.

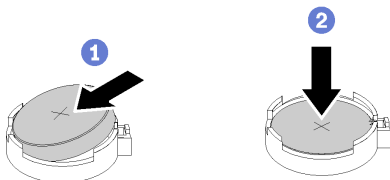


Figure 49. Installing the CMOS battery

After installing the CMOS battery:

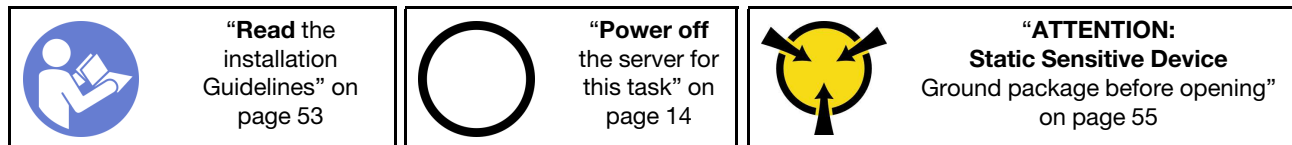
1. Complete the parts replacement. See “Complete the parts replacement” on page 153
2. Reset date, time, and all the passwords.

DIMM replacement

Use this information to remove and install a DIMM.

Remove a DIMM

Use this information to remove a DIMM.



Attention: DIMMs are sensitive to static discharge and require special handling. In addition to the standard guidelines for “Handling static-sensitive devices” on page 55:

- Always wear an electrostatic-discharge strap when removing or installing DIMMs. Electrostatic-discharge gloves can also be used.
- Never hold two or more DIMMs together so that they touch. Do not stack DIMMs directly on top of each other during storage.
- Never touch the gold DIMM connector contacts or allow these contacts to touch the outside of the DIMM connector housing.
- Handle DIMMs with care: never bend, twist, or drop a DIMM.

Before removing a DIMM:

1. **Watch the procedure.** A video of this procedure is available from the following links:
 - Youtube: <https://www.youtube.com/playlist?list=PLYV5R7hVcs-Dy5N2dPXFx5Pht-FIjAi6S>
 - Youku: https://list.youku.com/albumlist/show/id_51977169
2. If the server is in a rack, remove it from the rack.
3. Remove any locking device that secures the server cover, such as a Kensington lock or a pad lock.
4. Remove the server cover (see “Remove the server cover” on page 134).

To remove a DIMM, complete the following steps:

Step 1. Carefully open the retaining clips on each end of the DIMM slot.

Attention: To avoid breaking the retaining clips or damaging the DIMM slots, handle the clips gently.

Step 2. Remove the DIMM.

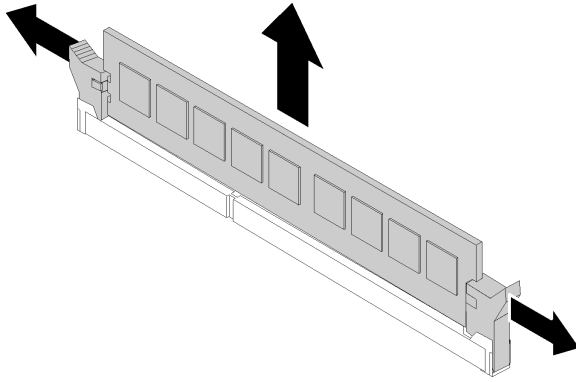


Figure 50. DIMM removal

After removing the DIMM:

If you are instructed to return the defective component, please package the part to prevent any shipping damage. Reuse the packaging the new part arrived in and follow all packaging instructions.

DIMM installation rules

DIMMs must be installed in a specific order based on the memory configuration of the server.

The following illustration shows the location of the DIMM connectors on the system board.

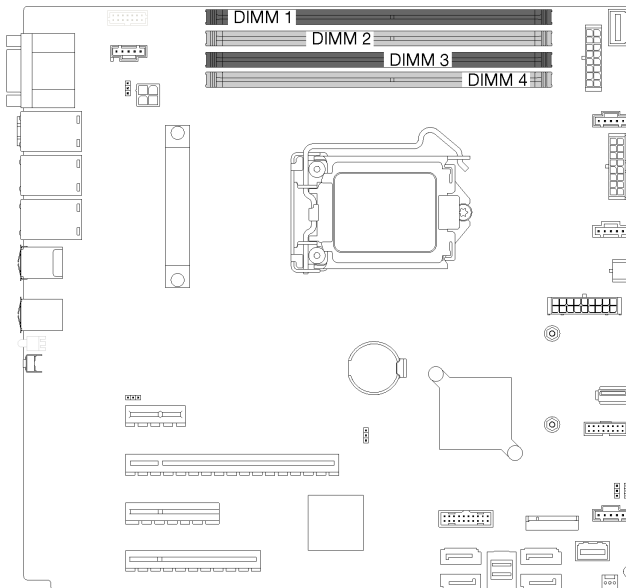


Figure 51. DIMM slots

This server comes with four DIMM slots with the following features:

For a list of supported DIMM options, see: <https://static.lenovo.com/us/en/serverproven/index.shtml>

Before installing a DIMM, ensure that all DIMMs to be installed must be the same type. This server supports the following types of DIMMs:

- DDR4 UDIMM with ECC technology

Your server supports the following memory modes:

- “Independent mode” on page 72

Independent mode

Independent mode provides high performance memory capability. You can populate all channels with no matching requirements. Individual channels can run at different DIMM timings, but all channels must run at the same interface frequency.

Notes:

- All DIMMs to be installed must be the same type.
- When you install DIMMs with same rank and different capacity, install the DIMM that has the highest capacity first.




The following table shows the DIMM installation order.

Table 11. DIMM installation order

Number of DIMMs	DIMM Slot Number			
	1	2	3	4
One DIMM			X	
Two DIMMs	X		X	
Three DIMMs	X		X	X
Four DIMMs	X	X	X	X

Install a DIMM

Use this information to install a DIMM.

 <p>“Read the installation Guidelines” on page 53</p>	 <p>“Power off the server for this task” on page 14</p>	 <p>“ATTENTION: Static Sensitive Device Ground package before opening” on page 55</p>
--	--	---

Attention:

- Disconnect all power cords for this task.
- DIMMs are sensitive to static discharge and require special handling. In addition to the standard guidelines for “Handling static-sensitive devices” on page 55:
 - Always wear an electrostatic-discharge strap when removing or installing DIMMs. Electrostatic-discharge gloves can also be used.
 - Never hold two or more DIMMs together so that they touch. Do not stack DIMMs directly on top of each other during storage.
 - Never touch the gold DIMM connector contacts or allow these contacts to touch the outside of the DIMM connector housing.
 - Handle DIMMs with care: never bend, twist, or drop a DIMM.

Before installing a DIMM:

1. **Watch the procedure.** A video of this procedure is available from the following links:
 - Youtube: <https://www.youtube.com/playlist?list=PLYV5R7hVcs-Dy5N2dPXFx5Pht-FIjAi6S>
 - Youku: https://list.youku.com/albumlist/show/id_51977169
2. Touch the static-protective package that contains the component to any unpainted metal surface on the server; then, remove it from the package and place it on a static-protective surface.
3. Ensure that you consider and follow the DIMM installation rules when performing the operation. See “DIMM installation rules” on page 71.

To install a DIMM, complete the following steps:

Step 1. Open the retaining clips on each end of the DIMM slot; then, install the DIMM into the slot.

Attention: To avoid breaking the retaining clips or damaging the DIMM slots, open and close the clips gently.

Step 2. Firmly press the DIMM straight down into the slot by applying pressure on both ends of the DIMM simultaneously. The retaining clips snap into the locked position when the DIMM is firmly seated in the slot.

Note: If there is a gap between the DIMM and the retaining clips, the DIMM has not been correctly inserted; open the retaining clips, remove the DIMM, and then reinsert it.

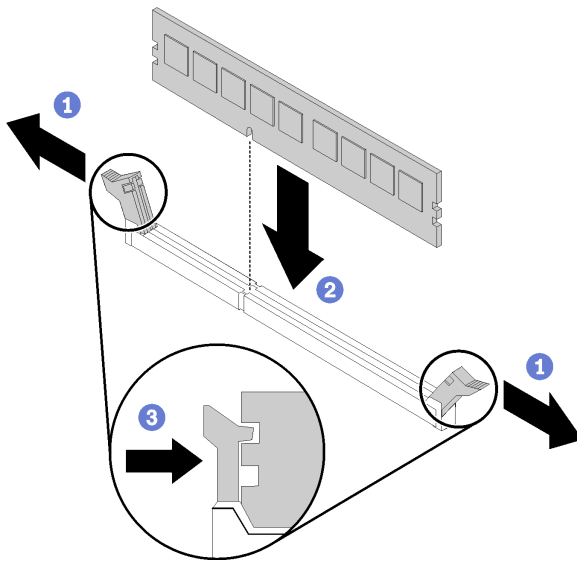


Figure 52. DIMM installation

After installing a DIMM:

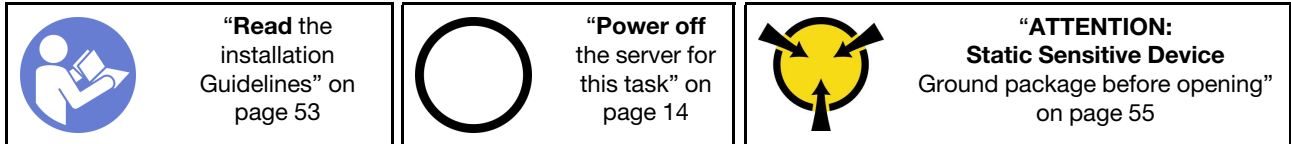
Complete the parts replacement. See “Complete the parts replacement” on page 153

Drive replacement

Use the following information to remove and install drives.

Remove a simple-swap drive

Use this information to remove a simple-swap drive.



Before removing a simple-swap drive:

1. **Watch the procedure.** A video of this procedure is available from the following links:
 - Youtube: <https://www.youtube.com/playlist?list=PLYV5R7hVcs-Dy5N2dPXFx5Pht-FljAi6S>
 - Youku: https://list.youku.com/albumlist/show/id_51977169
2. Ensure that you have back up data on your drive, especially if it is part of a RAID array.
 - Before you make changes to drives, drive backplanes, or drive cables, back up all important data that is stored on the drives.
 - Before you remove any component of a RAID array, back up all RAID configuration information.
3. Use the front door key to unlock the front door (available on some models), and then open the front door.

To remove a simple-swap drive, complete the following steps:

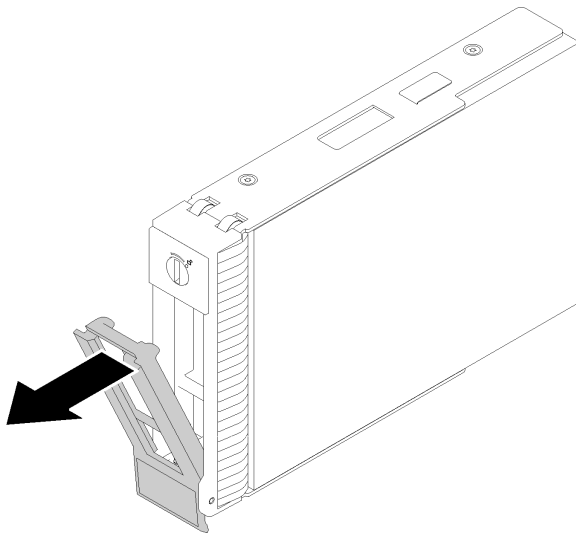
- Step 1. Locate the simple-swap drive you wish to remove. lower drive bay.
- Step 2. Disconnect the SATA signal cable and the power cable from the rear of the simple-swap drive. See “Front view” on page 15.
- Step 3. Use a screwdriver to turn the tray handle lock **1** to the unlocked position. The tray handle opens automatically.

Figure 53. Opening the tray handle of the simple-swap drive



- Step 4. Pull the handle and carefully slide the simple-swap drive out of the chassis.

Figure 54. Simple-swap drive removal



After removing the simple-swap drive:


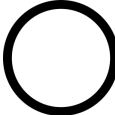

1. Install a new drive or drive filler into the vacant drive bay (see “Install a simple-swap drive” on page 75).

Note: To ensure that there is adequate system cooling, do not operate the server for more than two minutes without either a drive or a drive filler installed in each bay.

2. If you are instructed to return the defective component, please package the part to prevent any shipping damage. Reuse the packaging the new part arrived in and follow all packaging instructions.

Install a simple-swap drive

Use this information to install a simple-swap drive.

	“Read the installation Guidelines” on page 53		“Power off the server for this task” on page 14		“ATTENTION: Static Sensitive Device Ground package before opening” on page 55
---	--	---	--	--	---

The following notes describe the type of drives that your server supports and other information that you must consider when you install a drive.

- For a complete list of supported optional devices for the server, see: <https://static.lenovo.com/us/en/serverproven/index.shtml>
- The drive bays are numbered to indicate the installation order (starting from number “0”). Follow the installation order when you install a drive. See “Front view” on page 15.
- The drives in a single RAID array must be the same type, same size, and same capacity.

Before installing a simple-swap drive:

1. **Watch the procedure.** A video of this procedure is available from the following links:
 - Youtube: <https://www.youtube.com/playlist?list=PLYV5R7hVcs-Dy5N2dPXFx5Pht-FIjAi6S>
 - Youku: https://list.youku.com/albumlist/show/id_51977169
2. If the drive bay has a drive filler installed, remove it. Keep the drive filler in a safe place for future use.

To install a simple-swap drive, complete the following steps:

- Step 1. Ensure that the tray handle is in the open position. Align the drive with the guide rails in the bay; then, gently push the drive into the bay until the drive stops.
- Step 2. Close the tray handle to lock the drive in place.

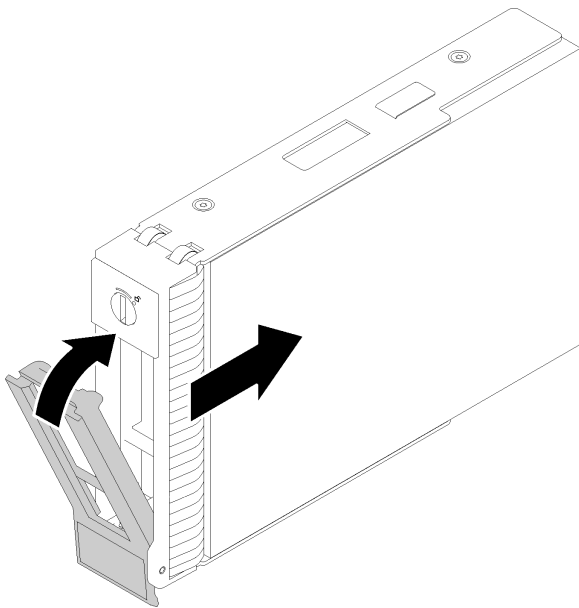


Figure 55. Simple-swap drive installation into drive bay

- Step 3. Connect signal and power cable to the system board. See “Internal cable routing” on page 31 for details.

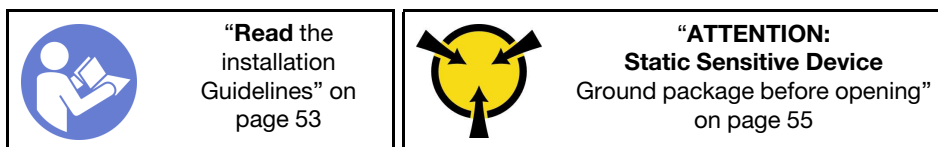
After installing the simple-swap drive:

1. Install other drives if necessary.
2. Complete the parts replacement. See “Complete the parts replacement” on page 153
3. Check the drive activity LED on the front panel to verify if the drives are operating correctly.
4. Use the Lenovo XClarity Provisioning Manager to configure the RAID if necessary. For more information, see:

http://sysmgmt.lenovofiles.com/help/index.jsp?topic=%2FLXPM%2FRAID_setup.html

Remove a hot-swap drive

Use this information to remove a hot-swap drive.



Before removing a hot-swap drive:

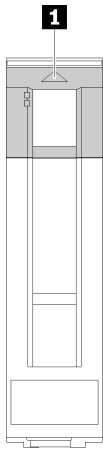
1. **Watch the procedure.** A video of this procedure is available from the following links:
 - Youtube: <https://www.youtube.com/playlist?list=PLYV5R7hVcs-Dy5N2dPXFx5Pht-FljAi6S>
 - Youku: https://list.youku.com/albumlist/show/id_51977169
2. Ensure that you have back up data on your drive, especially if it is part of a RAID array.

- Before you make changes to drives, RAID adapters, drive backplanes, or drive cables, back up all important data that is stored on the drives.
 - Before you remove any component of a RAID array, back up all RAID configuration information.
3. If the server is installed in a rack, extend the server from the rack.
 4. Use the front door key to unlock the front door (available on some models), and then open the front door.

To remove a hot-swap drive, complete the following steps:

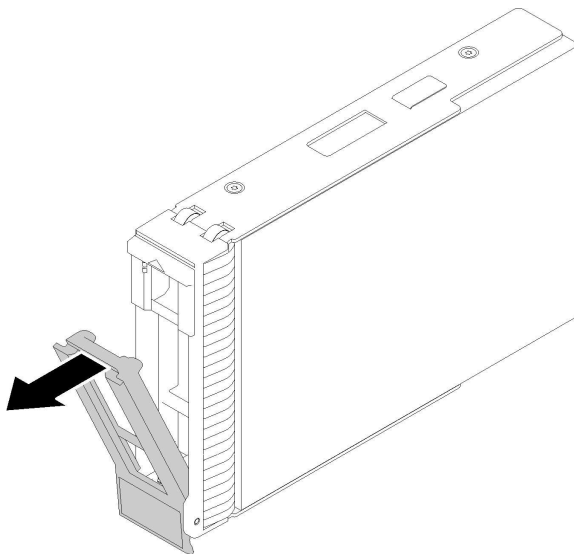
- Step 1. Locate the drive you want to remove and press the release button **1** to open the handle of the drive.

Figure 56. Opening the tray handle



- Step 2. Grasp the tray handle and carefully slide the drive out of the drive bay.
- Step 3. Remove the four screws; then, remove the drive from the drive tray.

Figure 57. Hot-swap drive removal from drive tray

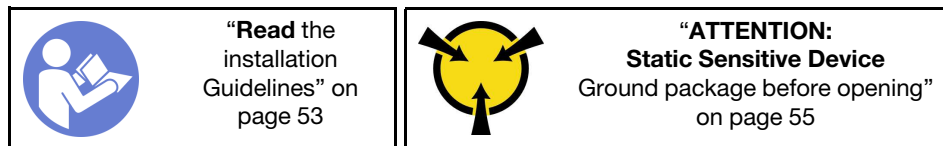


After removing the hot-swap drive:

1. If you are instructed to return the defective component, please package the part to prevent any shipping damage. Reuse the packaging the new part arrived in and follow all packaging instructions.

Install a hot-swap drive

Use this information to install a hot-swap drive.



The following notes describe the type of drives that your server supports and other information that you must consider when you install a drive.

- Depending on your server models, your server supports the following drive types:
 - Solid-state drives
 - SAS/SATA drives

For a complete list of supported optional devices for the server, see: <https://static.lenovo.com/us/en/serverproven/index.shtml>

- The drive bays are numbered to indicate the installation order (starting from number “0”). Follow the installation order when you install a drive. See “Front view” on page 15.
- The drives in a single RAID array must be the same type, same size, and same capacity.

Before installing a hot-swap drive:

1. **Watch the procedure.** A video of this procedure is available from the following links:
 - Youtube: <https://www.youtube.com/playlist?list=PLYV5R7hVcs-Dy5N2dPxFx5Pht-FljAi6S>
 - Youku: https://list.youku.com/albumlist/show/id_51977169
2. If the drive bay has a drive filler installed, remove it. Keep the drive filler in a safe place for future use.
3. Touch the static-protective package that contains the new hot-swap drive to any unpainted surface on the outside of the server. Then, take the new hot-swap drive out of the package and place it on a static-protective surface.

To install a hot-swap drive, complete the following steps:

- Step 1. Ensure that the tray handle is in the open position. Slide the drive into the drive bay until it snaps into position.
- Step 2. Close the tray handle to lock the drive in place.

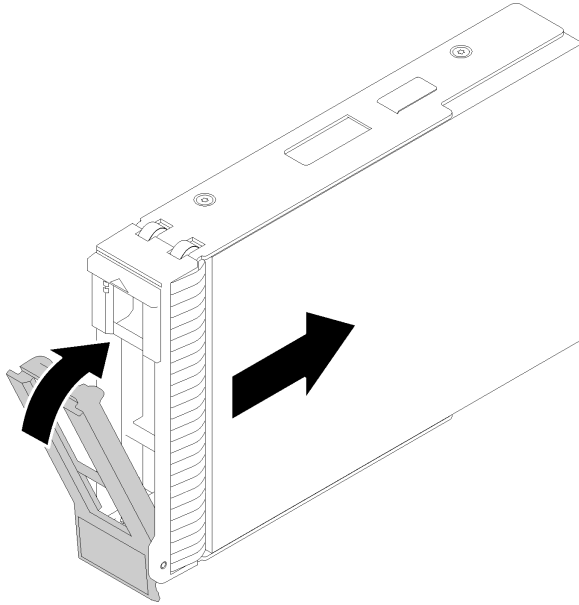


Figure 58. Hot-swap drive installation

Step 3. The hot-swap drive should be powered up and begin initialization. Check the drive LEDs to verify that the drive is operating correctly.

After installing the hot-swap drive:

1. Continue to install additional hot-swap drives if necessary.
2. Complete the parts replacement. See “Complete the parts replacement” on page 153.
3. Use the Lenovo XClarity Provisioning Manager to configure the RAID if necessary. For more information, see:

http://sysmgmt.lenovofiles.com/help/index.jsp?topic=%2FLXPM%2FRAID_setup.html

Fan replacement

Use this information to remove and install the front or rear fan.

S033



CAUTION:

Hazardous energy present. Voltages with hazardous energy might cause heating when shorted with metal, which might result in spattered metal, burns, or both.

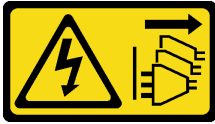
S009



CAUTION:

To avoid personal injury, disconnect the fan cables before removing the fan from the device.

S002



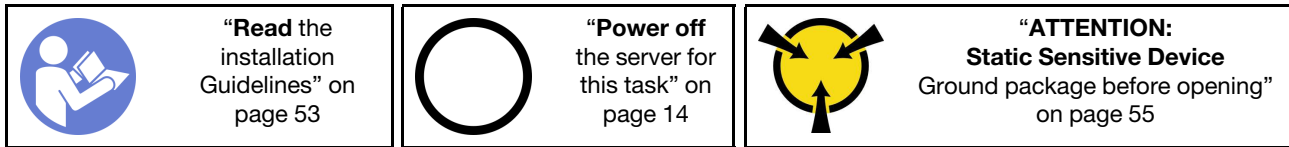
CAUTION:

The power-control button on the device and the power switch on the power supply do not turn off the electrical current supplied to the device. The device also might have more than one power cord. To remove all electrical current from the device, ensure that all power cords are disconnected from the power source.

Note: For processor fan replacement, see “Heat sink and fan module replacement” on page 94.

Remove the front system fan

Use this information to remove the front system fan.



Before removing the front system fan:

1. **Watch the procedure.** A video of this procedure is available from the following links:
 - Youtube: <https://www.youtube.com/playlist?list=PLYV5R7hVcs-Dy5N2dPxFx5Pht-FIjAi6S>
 - Youku: https://list.youku.com/albumlist/show/id_51977169
2. If the server is in a rack, remove it from the rack.
3. Remove any locking device that secures the server cover, such as a Kensington lock or a pad lock.
4. Remove the server cover (see “Remove the server cover” on page 134).

To remove the front system fan, complete the following steps:

- Step 1. Disconnect the fan cable from the system board (see “System board components” on page 29).
- Step 2. Press the two tabs of the front system fan towards each other and carefully slide the fan out of the chassis.

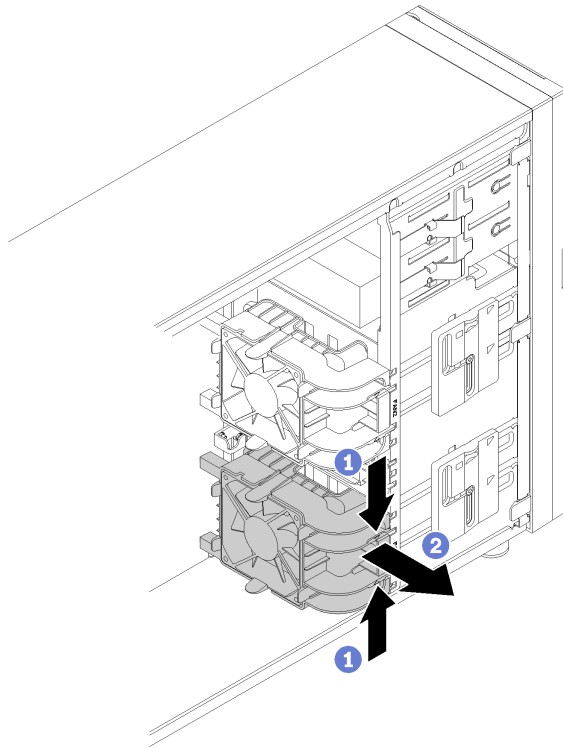



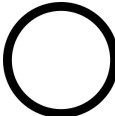

Figure 59. Front system fan removal

After removing the front system fan:

If you are instructed to return the defective component, please package the part to prevent any shipping damage. Reuse the packaging the new part arrived in and follow all packaging instructions.

Install the front system fan

Use this information to install the front system fan.

 <p>“Read the installation Guidelines” on page 53</p>	 <p>“Power off the server for this task” on page 14</p>	 <p>“ATTENTION: Static Sensitive Device Ground package before opening” on page 55</p>
--	--	---

Before installing the front system fan:

1. **Watch the procedure.** A video of this procedure is available from the following links:
 - Youtube: <https://www.youtube.com/playlist?list=PLYV5R7hVcs-Dy5N2dPXFx5Pht-FljAi6S>
 - Youku: https://list.youku.com/albumlist/show/id_51977169
2. Touch the static-protective package that contains the component to any unpainted metal surface on the server; then, remove it from the package and place it on a static-protective surface.

To install the front system fan, complete the following steps:

Step 1. Position the front system fan where the four tabs are aligned with the corresponding holes in the mounting area. In addition, ensure that the two posts of the front system fan are aligned with the corresponding holes in the inner side of the chassis; then, carefully slide the front system fan into the chassis until it snaps into position.

Note: When installing the front system fan into the chassis, make sure the cables do not interfere with the two posts and the fan is firmly seated.

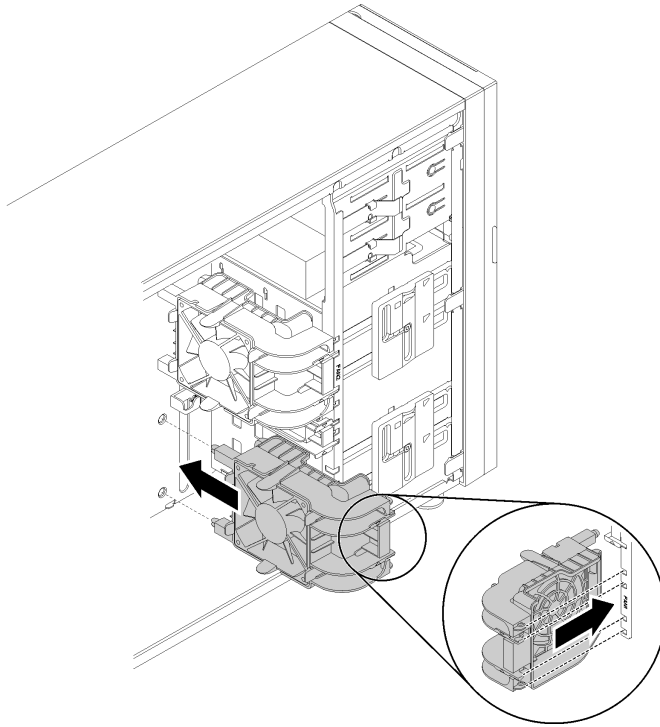


Figure 60. Front system fan installation

Step 2. Connect the front system fan power cable to the Fan 1 or Fan 4 connector on the system board. See “System board components” on page 29 and “Fan power cable” on page 31.

After installing the front system fan:

Complete the parts replacement. See “Complete the parts replacement” on page 153

Remove the rear system fan

Use this information to remove the rear system fan.

	“Read the installation Guidelines” on page 53		“Power off the server for this task” on page 14	 “ATTENTION: Static Sensitive Device Ground package before opening” on page 55
--	---	--	---	---

Before removing the rear system fan:

1. **Watch the procedure.** A video of this procedure is available from the following links:
 - Youtube: <https://www.youtube.com/playlist?list=PLYV5R7hVcs-Dy5N2dPXFx5Pht-FIjAi6S>
 - Youku: https://list.youku.com/albumlist/show/id_51977169
2. If the server is in a rack, remove it from the rack.
3. Remove any locking device that secures the server cover, such as a Kensington lock or a pad lock.
4. Remove the server cover (see “Remove the server cover” on page 134).

To remove the rear system fan, complete the following steps:

- Step 1. Disconnect the fan cable from the system board. See “System board components” on page 29.
- Step 2. Press the two tabs of the rear system fan towards each other and carefully slide the fan out of the chassis.

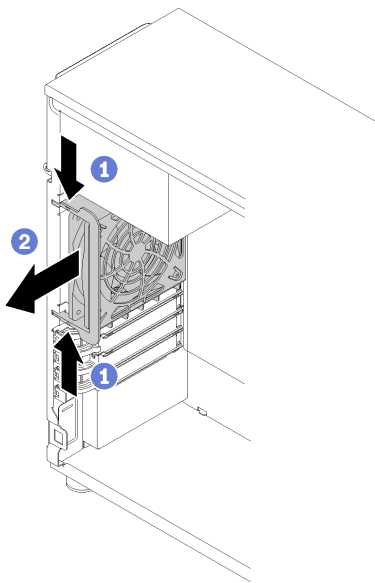





Figure 61. Rear system fan removal

After removing the rear system fan:

If you are instructed to return the defective component, please package the part to prevent any shipping damage. Reuse the packaging the new part arrived in and follow all packaging instructions.

Install the rear system fan

Use this information to install the rear system fan.

 <p>“Read the installation Guidelines” on page 53</p>	 <p>“Power off the server for this task” on page 14</p>	 <p>“ATTENTION: Static Sensitive Device” Ground package before opening” on page 55</p>
--	--	--

Before installing the rear system fan

1. **Watch the procedure.** A video of this procedure is available from the following links:
 - Youtube: <https://www.youtube.com/playlist?list=PLYV5R7hVcs-Dy5N2dPXFx5Pht-FIjAi6S>

- Youku: https://list.youku.com/albumlist/show/id_51977169

2. Touch the static-protective package that contains the component to any unpainted metal surface on the server; then, remove it from the package and place it on a static-protective surface.

To install the rear system fan, complete the following steps:

- Step 1. Position the new rear system fan where the four tips on the fan are closely aligned with the corresponding holes in the mounting area.

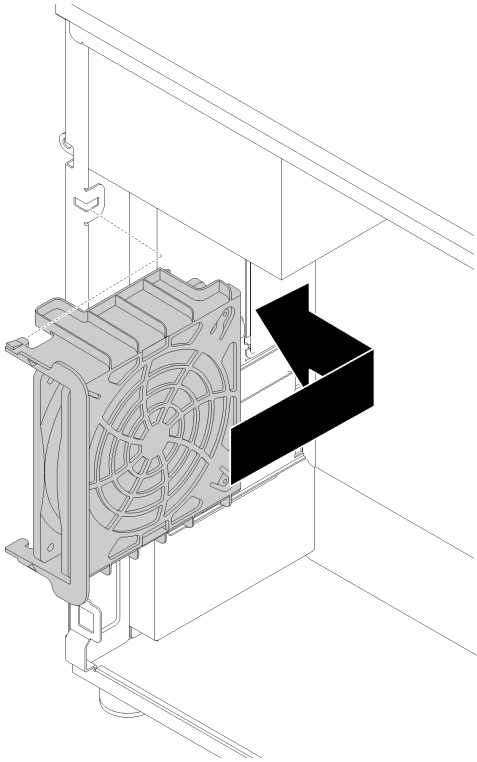


Figure 62. Positioning the rear system fan into the chassis

- Step 2. Carefully push the rear system fan until it snaps into position. Ensure that all four tips on the fan are inserted into the corresponding holes as shown.

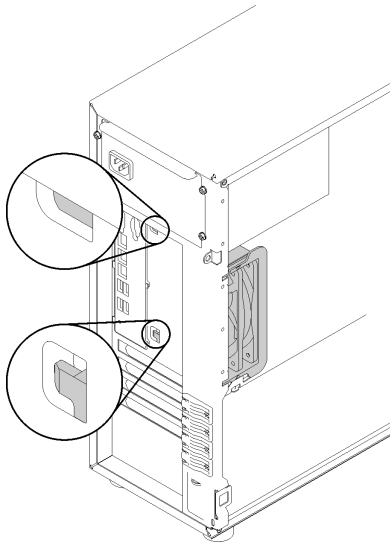


Figure 63. Rear system fan installation

Step 3. Connect the fan power cable to the Fan 3 connector on the system board. See “System board components” on page 29 and “Fan power cable” on page 31.

After installing the rear system fan:

Complete the parts replacement. See “Complete the parts replacement” on page 153

Flash power module replacement

Use this information to remove and install the flash power module.

Note: This topic applies only to server models that have flash power modules installed.




The flash power module protects the cache memory on the installed RAID adapter. You can purchase a flash power module from Lenovo.

For a list of supported options, see:

<https://static.lenovo.com/us/en/serverproven/index.shtml>

Remove a flash power module

Use this information to remove a flash power module.

 <p>“Read the installation Guidelines” on page 53</p>	 <p>“Power off the server for this task” on page 14</p>	 <p>“ATTENTION: Static Sensitive Device Ground package before opening” on page 55</p>
--	--	--

Before removing a flash power module:

1. **Watch the procedure.** A video of this procedure is available from the following links:
 - Youtube: <https://www.youtube.com/playlist?list=PLYV5R7hVcs-Dy5N2dPXFx5Pht-FIjAi6S>
 - Youku: https://list.youku.com/albumlist/show/id_51977169
2. If the server is in a rack, remove it from the rack.

3. Remove any locking device that secures the server cover, such as a Kensington lock or a pad lock.
4. Remove the server cover (see “Remove the server cover” on page 134).

To remove a flash power module, complete the following steps:

- Step 1. Disconnect the cable of the flash power module from the RAID card.
- Step 2. Press the tab on the flash power module bracket and remove the flash power module and bracket assembly from the chassis.

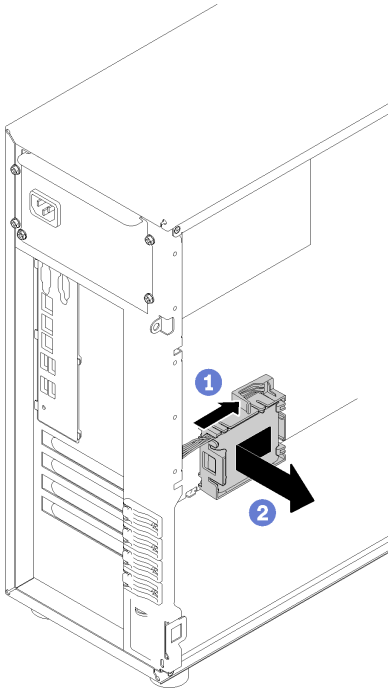


Figure 64. Flash power module and bracket assembly removal from chassis

- Step 3. If you are going to remove the flash power module from the bracket, gently pull the tab on the bracket to remove the module from the bracket.

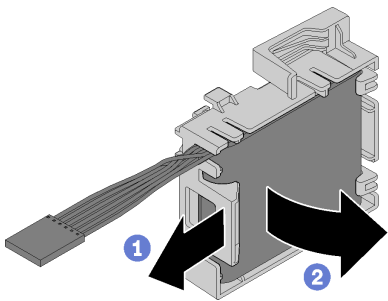



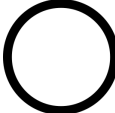

Figure 65. Flash power module removal from bracket

After removing the flash power module:

If you are instructed to return the defective component, please package the part to prevent any shipping damage. Reuse the packaging the new part arrived in and follow all packaging instructions.

Install a flash power module

Use this information to install a flash power module.

 <p>“Read the installation Guidelines” on page 53</p>	 <p>“Power off the server for this task” on page 14</p>	 <p>“ATTENTION: Static Sensitive Device Ground package before opening” on page 55</p>
--	--	---

Before installing a flash power module:

1. **Watch the procedure.** A video of this procedure is available from the following links:
 - Youtube: <https://www.youtube.com/playlist?list=PLYV5R7hVcs-Dy5N2dPXFx5Pht-FIjAi6S>
 - Youku: https://list.youku.com/albumlist/show/id_51977169
2. Touch the static-protective package that contains the component to any unpainted metal surface on the server; then, remove it from the package and place it on a static-protective surface.

To install a flash power module, complete the following steps:

- Step 1. Note the orientation of the flash power module; then, gently insert the flash power module into the bracket.

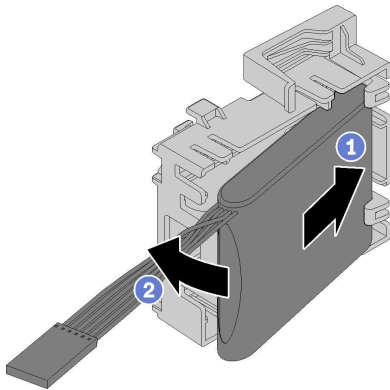


Figure 66. Flash power module installation into bracket

- Step 2. Position the flash power module and bracket assembly onto the chassis, where the tabs on the bracket pass through the corresponding holes in the chassis. Move the assembly as shown until it is secured onto the chassis.

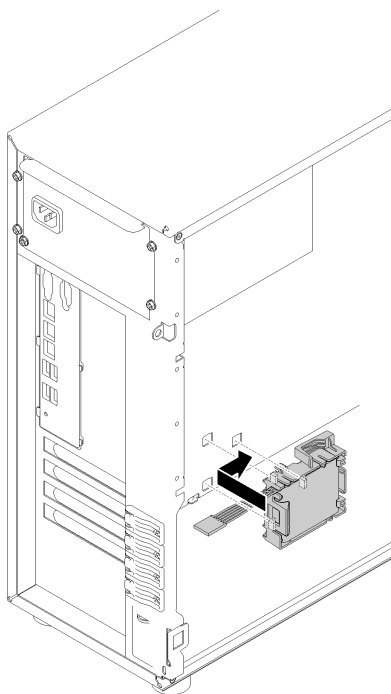


Figure 67. Flash power module and bracket assembly installation onto chassis

Step 3. Connect the flash power module cable to the RAID adapter.

After installing the flash power module:


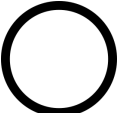
Complete the parts replacement. See “Complete the parts replacement” on page 153

Front bezel replacement

Use this information to remove and install the front bezel.

Remove the front bezel

Use this information to remove the front bezel.

	“Read the installation Guidelines” on page 53		“Power off the server for this task” on page 14
---	--	---	--

Before removing the front bezel:

1. **Watch the procedure.** A video of this procedure is available from the following links:
 - Youtube: <https://www.youtube.com/playlist?list=PLYV5R7hVcs-Dy5N2dPXFx5Pht-FIjAi6S>
 - Youku: https://list.youku.com/albumlist/show/id_51977169
2. If the server is in a rack, remove it from the rack.
3. Remove any locking device that secures the server cover, such as a Kensington lock or a pad lock.
4. Remove the server cover (see “Remove the server cover” on page 134).

To remove the front bezel, complete the following step:

- Step 1. Remove the front door (see “Remove the front door” on page 90).
- Step 2. Lift the three plastic tabs to release left side of the bezel from the chassis; then, pivot the bezel as shown to remove it from the chassis.

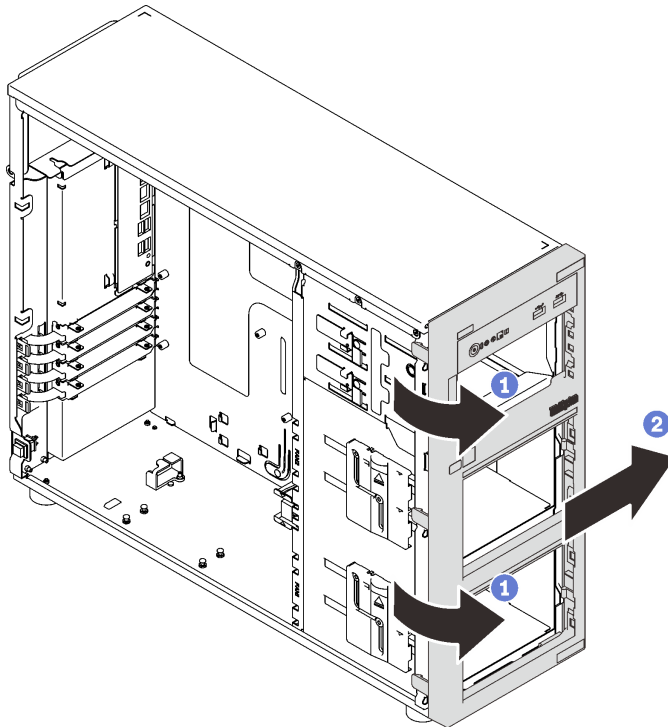


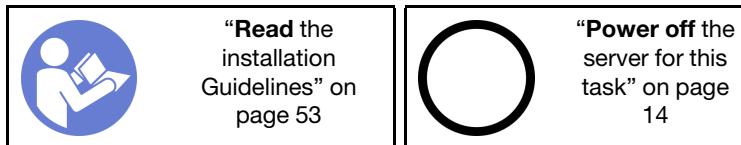
Figure 68. Front bezel removal

After removing the front bezel:

If you are instructed to return the defective component, please package the part to prevent any shipping damage. Reuse the packaging the new part arrived in and follow all packaging instructions.

Install the front bezel

Use this information to install the front bezel.



Before installing the front bezel:

1. **Watch the procedure.** A video of this procedure is available from the following links:
 - Youtube: <https://www.youtube.com/playlist?list=PLYV5R7hVcs-Dy5N2dPXFx5Pht-FljAi6S>
 - Youku: https://list.youku.com/albumlist/show/id_51977169

To install the front bezel, complete the following step:

- Step 1. Align the three plastic tabs on the right side of the front bezel with the corresponding holes in the chassis; then, pivot the front bezel and front door (available on some models) inward until the front bezel snaps into position on the left side.

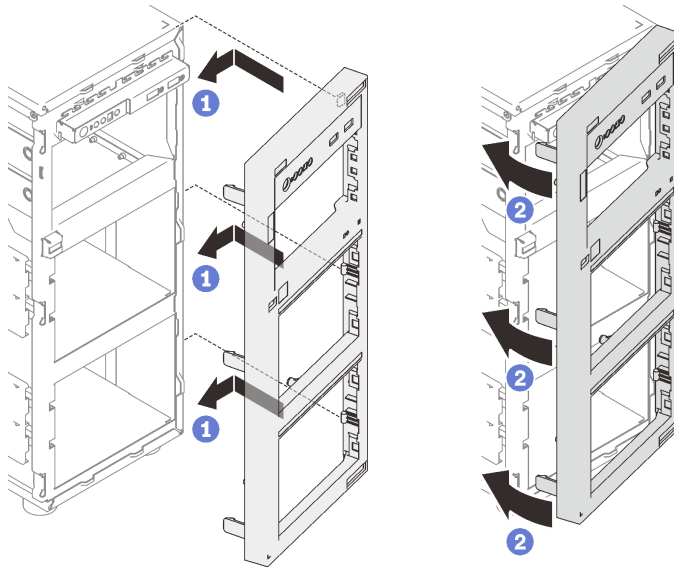


Figure 69. Front bezel installation

After installing the front bezel:

Complete the parts replacement. See “Complete the parts replacement” on page 153

Front door replacement

Use this information to remove and install the front door.

Note: This section applies only to server models that have a front door installed.

Remove the front door

Use this information to remove the front door.



Before removing the front door:

1. **Watch the procedure.** A video of this procedure is available from the following links:
 - Youtube: <https://www.youtube.com/playlist?list=PLYV5R7hVcs-Dy5N2dPXFx5Pht-FljAi6S>
 - Youku: https://list.youku.com/albumlist/show/id_51977169
2. If the server is in a rack, remove it from the rack.
3. Remove any locking device that secures the server cover, such as a Kensington lock or a pad lock.

To remove the front door, complete the following steps:

- Step 1. Open the front door.
- Step 2. Lift the front door slightly upward until you can completely remove it.

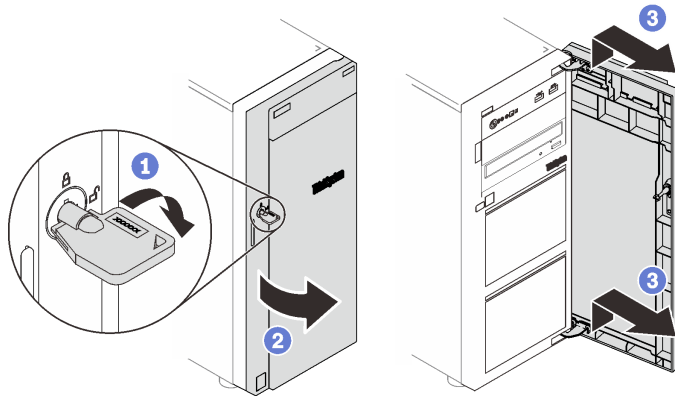


Figure 70. Front door removal

After removing the front door:

If you are instructed to return the defective component, please package the part to prevent any shipping damage. Reuse the packaging the new part arrived in and follow all packaging instructions.

Install the front door

Use this information to install the front door.



Before installing the front door:

1. **Watch the procedure.** A video of this procedure is available from the following links:
 - Youtube: <https://www.youtube.com/playlist?list=PLYV5R7hVcs-Dy5N2dPXFx5Pht-FIjAi6S>
 - Youku: https://list.youku.com/albumlist/show/id_51977169
2. Before installing the front door, if the server comes with rubber blocks to cover the holes for installing the front door, remove the rubber blocks first. Store the rubber blocks in case that you later remove the front door and need the rubber blocks to cover the holes in the front bezel.

To install the front door, complete the following steps:

- Step 1. Align the two hooks on the front door with the corresponding holes in the front bezel; then, move the front door inward and then pull it slightly downward until it is secured in place by the hooks.

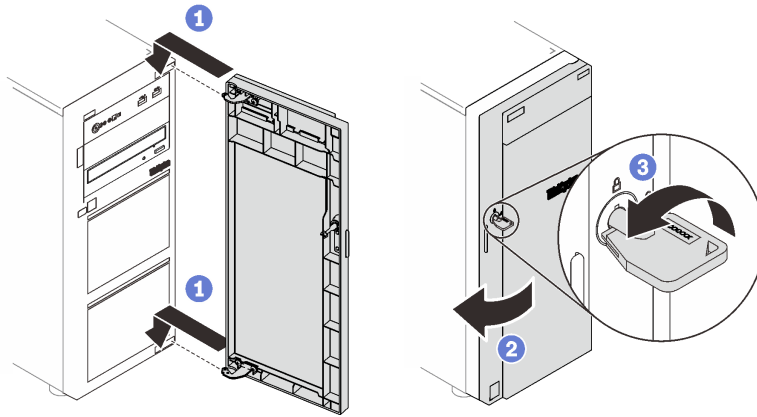


Figure 71. Front door installation

Step 2. Close the front door.

After installing the front door:


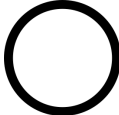

Complete the parts replacement. See “Complete the parts replacement” on page 153

Front panel board assembly replacement

Use this information to remove and install the front panel board assembly.

Remove the front panel board assembly

Use this information to remove the front panel board assembly.

 <p>“Read the installation Guidelines” on page 53</p>	 <p>“Power off the server for this task” on page 14</p>	 <p>“ATTENTION: Static Sensitive Device Ground package before opening” on page 55</p>
--	--	---

Before removing the front bezel:

1. **Watch the procedure.** A video of this procedure is available from the following links:
 - Youtube: <https://www.youtube.com/playlist?list=PLYV5R7hVcs-Dy5N2dPXFx5Pht-FljAi6S>
 - Youku: https://list.youku.com/albumlist/show/id_51977169
2. If the server is in a rack, remove it from the rack.
3. Remove any locking device that secures the server cover, such as a Kensington lock or a pad lock.
4. Remove the server cover (see “Remove the server cover” on page 134).

To remove the front panel board assembly, complete the following steps:

- Step 1. Remove the front door (see “Remove the front door” on page 90).
- Step 2. Remove the front bezel (see “Remove the front bezel” on page 88).
- Step 3. Locate the front panel board assembly and disconnect the cables from the system board. See “System board components” on page 29
- Step 4. Press the release tab in the direction as shown in the illustration and pivot the front panel board assembly outward. Pull the cables out to completely remove the front panel board assembly from the chassis.

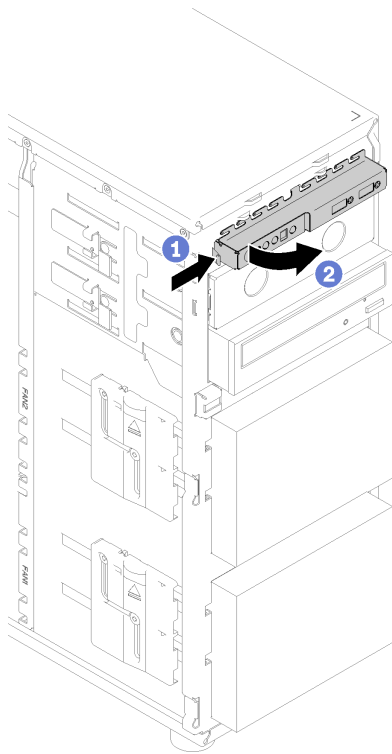


Figure 72. Front panel board assembly removal


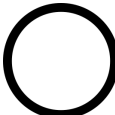

Step 5. Disconnect cables from the front panel board assembly.

After removing the front panel board assembly:

If you are instructed to return the defective component, please package the part to prevent any shipping damage. Reuse the packaging the new part arrived in and follow all packaging instructions.

Install the front panel board assembly

Use this information to install the front panel board assembly.

 <p>“Read the installation Guidelines” on page 53</p>	 <p>“Power off the server for this task” on page 14</p>	 <p>“ATTENTION: Static Sensitive Device Ground package before opening” on page 55</p>
--	--	---

Before installing the front panel:

1. **Watch the procedure.** A video of this procedure is available from the following links:
 - Youtube: <https://www.youtube.com/playlist?list=PLYV5R7hVcs-Dy5N2dPXFx5Pht-FljAi6S>
 - Youku: https://list.youku.com/albumlist/show/id_51977169
2. Touch the static-protective package that contains the component to any unpainted metal surface on the server; then, remove it from the package and place it on a static-protective surface.

To install the front panel, complete the following steps:

Step 1. Connect cables to the new front panel board assembly and route the cables through the corresponding hole in the chassis.

- Step 2. Align the tab on the right side of the front panel board assembly with the side of the corresponding hole in the chassis.
- Step 3. Align the tab on the top of the front panel board assembly with the side of the corresponding hole in the chassis.
- Step 4. Pivot the front panel board assembly in until it snaps into position.

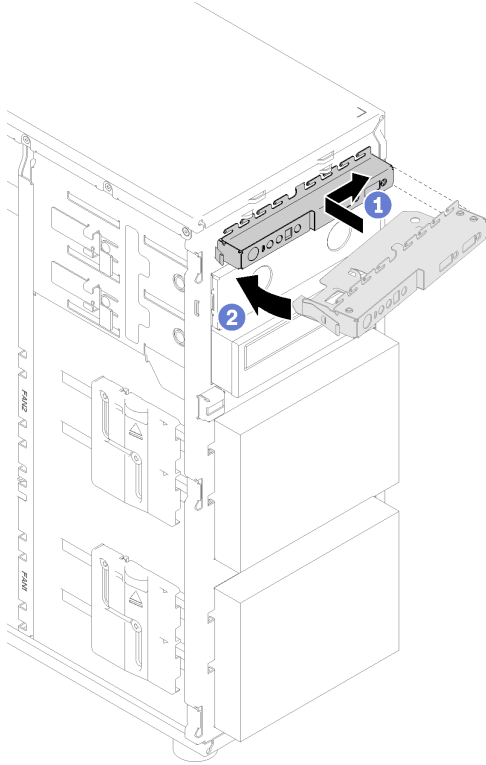


Figure 73. Front panel board assembly installation

- Step 5. Connect the respective cables to the front panel connectors 1 and 2 and the front USB 3.0 connector on the system board. See “System board components” on page 29.

After installing the front panel board assembly:

Complete the parts replacement. See “Complete the parts replacement” on page 153

Heat sink and fan module replacement

Use this information to remove and install the heat sink and fan module.

S033



CAUTION:

Hazardous energy present. Voltages with hazardous energy might cause heating when shorted with metal, which might result in spattered metal, burns, or both.

S014

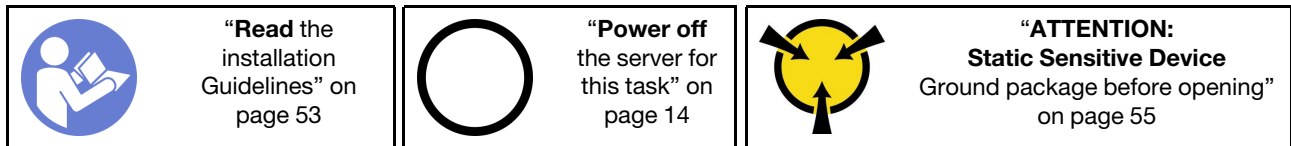


CAUTION:

Hazardous voltage, current, and energy levels might be present. Only a qualified service technician is authorized to remove the covers where the label is attached.

Remove the heat sink and fan module

Use this information to remove the heat sink and fan module. This procedure must be executed by a trained technician



Before removing the heat sink and fan module:

1. **Watch the procedure.** A video of this procedure is available from the following links:
 - Youtube: <https://www.youtube.com/playlist?list=PLYV5R7hVcs-Dy5N2dPXFx5Pht-FIjAi6S>
 - Youku: https://list.youku.com/albumlist/show/id_51977169
2. If the server is in a rack, remove it from the rack.
3. Remove any locking device that secures the server cover, such as a Kensington lock or a pad lock.
4. Remove the server cover (see “Remove the server cover” on page 134).

CAUTION:

The heat sinks and processor could be very hot. To avoid from burning yourself, wait for a few minutes before removing the server cover after turning off the server.

5. Disconnect the heat sink and fan module cable from the system board.

To remove the heat sink and fan module, complete the following steps:

Step 1. Disconnect the fan cable from the system board.

Step 2. Loosen screw 1 and 2:

Notes:

1. Gently remove the four screws to avoid any possible damage to the system board.
2. Always keep the four screws attached to the heat sink and fan module.
3. Do not touch the thermal grease while handling the heat sink and fan module.
 - a. Partially loosen screw 1.
 - b. Fully loosen screw 2.
 - c. Fully loosen screw 1.

Step 3. Loosen screw 3 and 4:

- a. Partially loosen screw 3.
- b. Fully loosen screw 4.

c. Fully loosen screw 3.

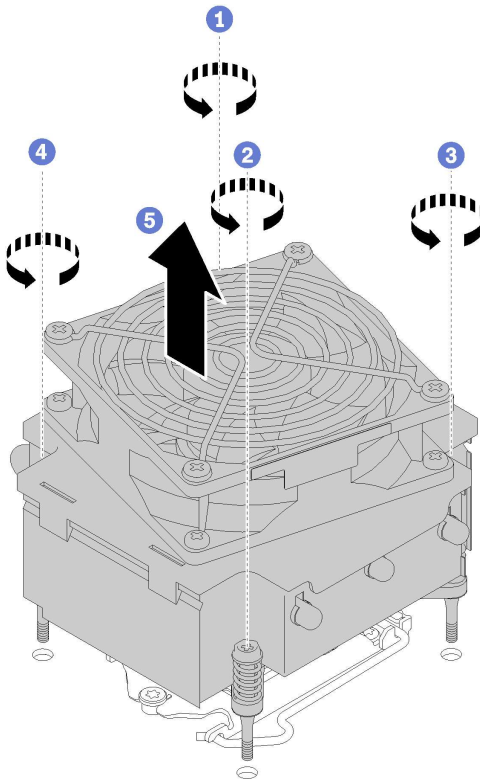


Figure 74. Removing the heat sink and fan module


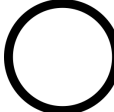

Step 4. Lift evenly and remove the heat sink and fan module from the server.

After removing the heat sink and fan module:

If you are instructed to return the defective component, please package the part to prevent any shipping damage. Reuse the packaging the new part arrived in and follow all packaging instructions.

Install the heat sink and the fan module

Use this information to install the heat sink and the fan module. This procedure must be executed by a trained technician.

	“Read the installation Guidelines” on page 53		“Power off the server for this task” on page 14		“ATTENTION: Static Sensitive Device Ground package before opening” on page 55
---	--	---	--	--	--

Before installing the heat sink and the fan module:

1. **Watch the procedure.** A video of this procedure is available from the following links:
 - Youtube: <https://www.youtube.com/playlist?list=PLYV5R7hVcs-Dy5N2dPXFx5Pht-FljAi6S>
 - Youku: https://list.youku.com/albumlist/show/id_51977169
2. Install the processor if one is not yet installed (see “Install the processor ” on page 132).

To install the heat sink and the fan module, complete the following steps:

- Step 1. Align the four screws on the heat sink and fan assembly with the corresponding screw holes on the system board. Make sure that the “Front” label is facing the front of the server.
- Step 2. Tighten screw 1 and 2:
- Partially tighten screw 1.
 - Fully tighten screw 2.
 - Fully tighten screw 1.

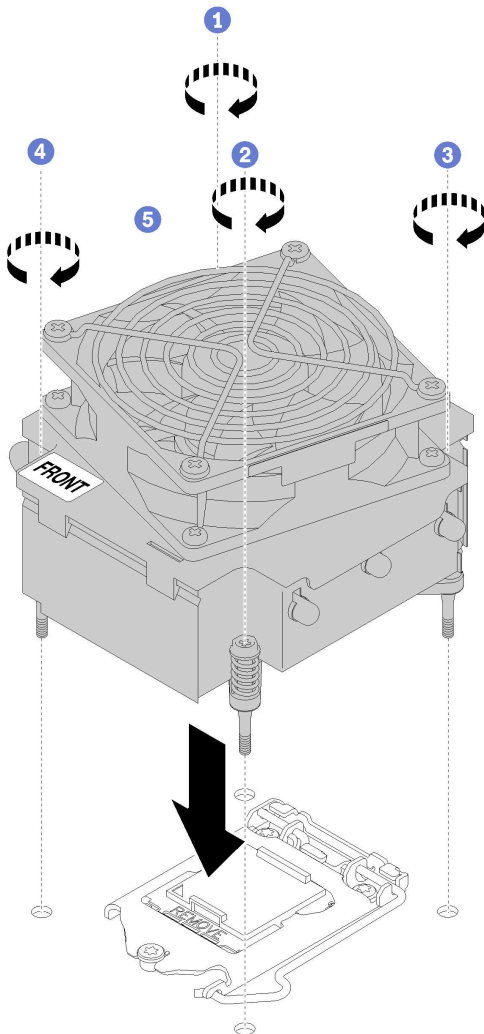


Figure 75. Installing the heat sink and the fan module

- Step 3. Tighten screw 3 and 4:
- Partially tighten screw 3.
 - Fully tighten screw 4.
 - Fully tighten screw 3.
- Step 4. Connect the fan power cable to the Fan 2 connector on the system board. See “System board components” on page 29 and “Fan power cable” on page 31

After installing the heat sink and the fan module:


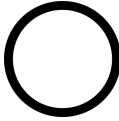

Complete the parts replacement. See “Complete the parts replacement” on page 153.

Intrusion switch replacement

Use this information to remove and install the intrusion switch. The intrusion switch informs you that the server cover is not properly installed or closed by creating an event in the system event log (SEL).

Remove the intrusion switch

Use this information to remove the intrusion switch.

 <p>“Read the installation Guidelines” on page 53</p>	 <p>“Power off the server for this task” on page 14</p>	 <p>“ATTENTION: Static Sensitive Device Ground package before opening” on page 55</p>
--	--	---

Before removing the intrusion switch:

1. **Watch the procedure.** A video of this procedure is available from the following links:
 - Youtube: <https://www.youtube.com/playlist?list=PLYV5R7hVcs-Dy5N2dPXFx5Pht-FIjAi6S>
 - Youku: https://list.youku.com/albumlist/show/id_51977169
2. If the server is in a rack, remove it from the rack.
3. Remove any locking device that secures the server cover, such as a Kensington lock or a pad lock.
4. Remove the server cover (see “Remove the server cover” on page 134).

To remove the intrusion switch, complete the following steps:

- Step 1. Disconnect the cable of the intrusion switch from the system board.
- Step 2. Press the two tabs on the intrusion switch towards each other and carefully pull out the intrusion switch at the same time to remove it from the frame.

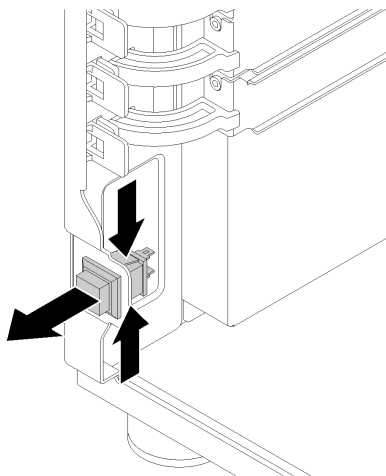



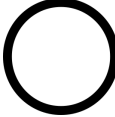

Figure 76. Intrusion switch removal

After removing the intrusion switch:

If you are instructed to return the defective component, please package the part to prevent any shipping damage. Reuse the packaging the new part arrived in and follow all packaging instructions.

Install the intrusion switch

Use this information to install the intrusion switch.

 <p>“Read the installation Guidelines” on page 53</p>	 <p>“Power off the server for this task” on page 14</p>	 <p>“ATTENTION: Static Sensitive Device Ground package before opening” on page 55</p>
---	---	--

Before installing the intrusion switch:

1. **Watch the procedure.** A video of this procedure is available from the following links:
 - Youtube: <https://www.youtube.com/playlist?list=PLYV5R7hVcs-Dy5N2dPXFx5Pht-FIjAi6S>
 - Youku: https://list.youku.com/albumlist/show/id_51977169
2. Touch the static-protective package that contains the component to any unpainted metal surface on the server; then, remove it from the package and place it on a static-protective surface.

To install the intrusion switch, complete the following steps:

- Step 1. Insert the cable of the new intrusion switch and then the tab on the intrusion switch frame into the corresponding hole in the chassis. Then, push the intrusion switch in until it is securely seated.

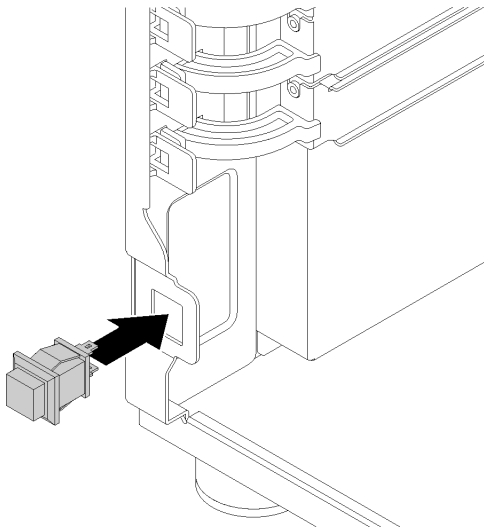


Figure 77. Installing the intrusion switch

- Step 2. Connect the cable of the new intrusion switch to the branch connector on the front panel connector 2 that is connected to the system board. See “System board components” on page 29.

After installing the intrusion switch:


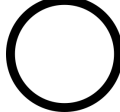

Complete the parts replacement. See “Complete the parts replacement” on page 153

M.2 drive replacement

Use this information to remove and install the M.2 drive.

Remove the M.2 drive

Use this information to remove the M.2 drive.

 <p>“Read the installation Guidelines” on page 53</p>	 <p>“Power off the server for this task” on page 14</p>	 <p>“ATTENTION: Static Sensitive Device Ground package before opening” on page 55</p>
--	--	---

Before removing the M.2 drive:

1. **Watch the procedure.** A video of this procedure is available from the following links:
 - Youtube: <https://www.youtube.com/playlist?list=PLYV5R7hVcs-Dy5N2dPXFx5Pht-FljAi6S>
 - Youku: https://list.youku.com/albumlist/show/id_51977169
2. If the server is in a rack, remove it from the rack.
3. Remove any locking device that secures the server cover, such as a Kensington lock or a pad lock.
4. Remove the server cover (see “Remove the server cover” on page 134).
5. Obtain a #1 Phillips screwdriver

To remove the M.2 drive, complete the following steps:

- Step 1. Using a #1 Phillips screwdriver, remove the screw that secures the M.2 drive to the system board.
- Step 2. Pull the M.2 drive away from the connector at an angle of approximately 30 degrees.

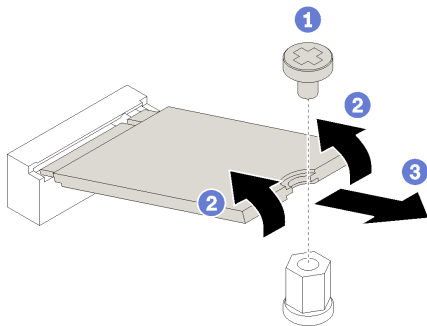



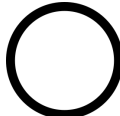

Figure 78. M.2 drive removal

After removing the M.2 drive:

If you are instructed to return the defective component, please package the part to prevent any shipping damage. Reuse the packaging the new part arrived in and follow all packaging instructions.

Install the M.2 drive

Use this information to install the M.2 drive.

 <p>“Read the installation Guidelines” on page 53</p>	 <p>“Power off the server for this task” on page 14</p>	 <p>“ATTENTION: Static Sensitive Device Ground package before opening” on page 55</p>
--	--	---

Before installing the M.2 drive:

1. **Watch the procedure.** A video of this procedure is available from the following links:
 - Youtube: <https://www.youtube.com/playlist?list=PLYV5R7hVcs-Dy5N2dPXFx5Pht-FljAi6S>
 - Youku: https://list.youku.com/albumlist/show/id_51977169

2. Touch the static-protective package that contains the component to any unpainted metal surface on the server; then, remove it from the package and place it on a static-protective surface.
3. Obtain a #1 Phillips screwdriver and a 4.5mm hex socket screwdriver

To install the M.2 drive, complete the following steps:

Two different M.2 drive lengths are supported by the server - 42mm and 80mm drives. If necessary, by using a 4.5mm hex socket screwdriver, remove the standoff and screw it to the appropriate mounting point to accommodate the specific drive.

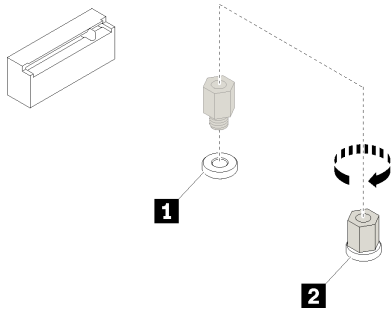


Figure 79. Moving standoff to appropriate mounting point

Table 12. Standoff location on system board

Callout	Callout
1 Standoff for 42 mm M.2 drive	2 Standoff for 80 mm M.2 drive

Step 1. Insert the M.2 drive at an angle into the connector; then, rotate it.

Step 2. Using a #1 Phillips screwdriver, tighten the screw that you saved earlier to secure the drive to the system board.

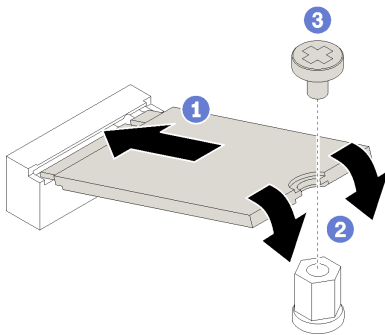


Figure 80. M.2 drive installation

After installing the M.2 drive:

Complete the parts replacement. See “Complete the parts replacement” on page 153

Optical drive replacement

Use this information to remove and install the optical drive.

Note: This section applies only to server models that have an optical drive installed.

S006



CAUTION:

When laser products (such as CD-ROMs, DVD drives, fiber optic devices, or transmitters) are installed, note the following:

- Do not remove the covers. Removing the covers of the laser product could result in exposure to hazardous laser radiation. There are no serviceable parts inside the device.
- Use of controls or adjustments or performance of procedures other than those specified herein might result in hazardous radiation exposure.

S007



CAUTION:

This product contains a Class 1M laser. Do not view directly with optical instruments.

S008

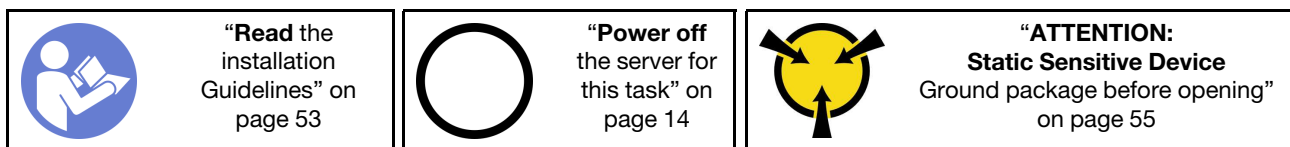


DANGER

Some laser products contain an embedded Class 3A or Class 3B laser diode. Note the following: Laser radiation when open. Do not stare into the beam, do not view directly with optical instruments, and avoid direct exposure to the beam.

Remove an optical drive

Use this information to remove an optical drive.



Before removing an optical or tape drive:

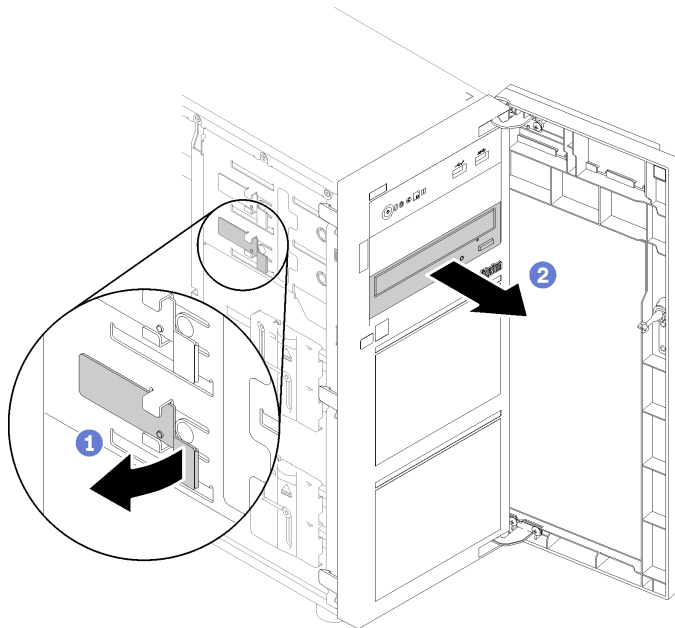
1. **Watch the procedure.** A video of this procedure is available from the following links:
 - Youtube: <https://www.youtube.com/playlist?list=PLYV5R7hVcs-Dy5N2dPXFx5Pht-FljAi6S>
 - Youku: https://list.youku.com/albumlist/show/id_51977169
2. If the server is in a rack, remove it from the rack.

3. Remove any locking device that secures the server cover, such as a Kensington lock or a pad lock.
4. Use the front door key to unlock the front door (available on some models), and then open the front door.
5. Remove the server cover (see “Remove the server cover” on page 134).

To remove an optical drive, complete the following steps:

- Step 1. Disconnect the cables from the rear of the optical drive.
- Step 2. Gently pull the metal tab on the side of the chassis and push the optical drive outward from the rear; then, draw the optical drive out of the chassis.

Figure 81. Optical drive removal


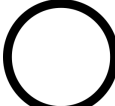



After removing the optical drive:

If you are instructed to return the defective component, please package the part to prevent any shipping damage. Reuse the packaging the new part arrived in and follow all packaging instructions.

Install an optical drive

Use this information to install an optical drive.

 <p>“Read the installation Guidelines” on page 53</p>	 <p>“Power off the server for this task” on page 14</p>	 <p>“ATTENTION: Static Sensitive Device Ground package before opening” on page 55</p>
--	--	---

Before installing an optical drive:

1. **Watch the procedure.** A video of this procedure is available from the following links:
 - Youtube: <https://www.youtube.com/playlist?list=PLYV5R7hVcs-Dy5N2dPXFx5Pht-FIjAi6S>
 - Youku: https://list.youku.com/albumlist/show/id_51977169

2. Touch the static-protective package that contains the component to any unpainted metal surface on the server; then, remove it from the package and place it on a static-protective surface.

To install an optical drive, complete the following steps:

- Step 1. Remove the front door (see “Remove the front door” on page 90).
- Step 2. Remove the front bezel (see “Remove the front bezel” on page 88).
- Step 3. If necessary, press the tabs on the side of the plastic bay filler of the optical drive bay and push the plastic bay filler as shown to remove it.

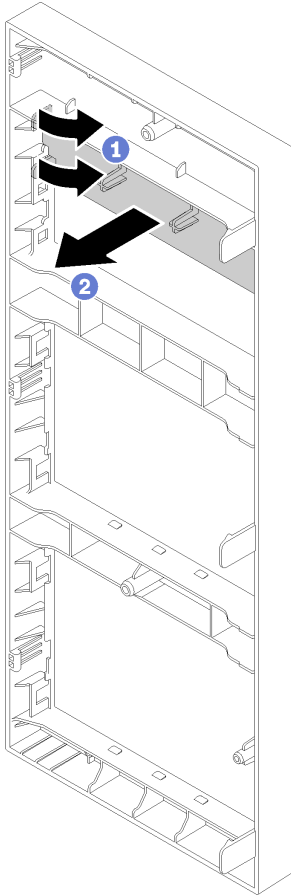


Figure 82. Plastic bay filler removal in the optical drive bay

- Step 4. If necessary, insert two of your fingers into the holes in the EMI shield and carefully pull the EMI shield out of the chassis.

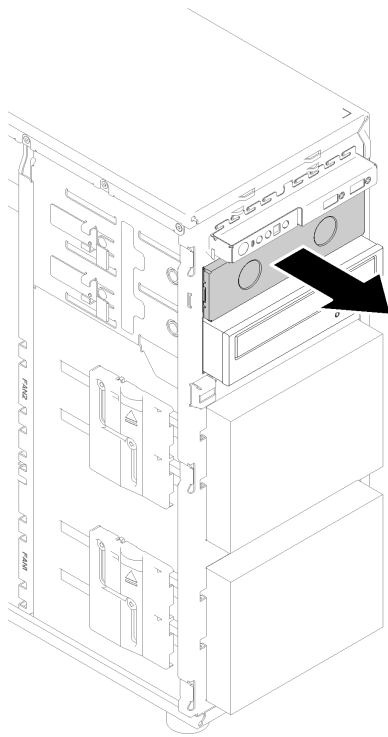


Figure 83. EMI shield removal in optical drive bay

- Step 5. Insert the optical drive into the optical drive bay and slide it in until it is obstructed.
- Step 6. Gently pull the metal tab on the slide of the chassis and slide the optical drive slightly. Release the tab and keep sliding the optical drive until it snaps into position.

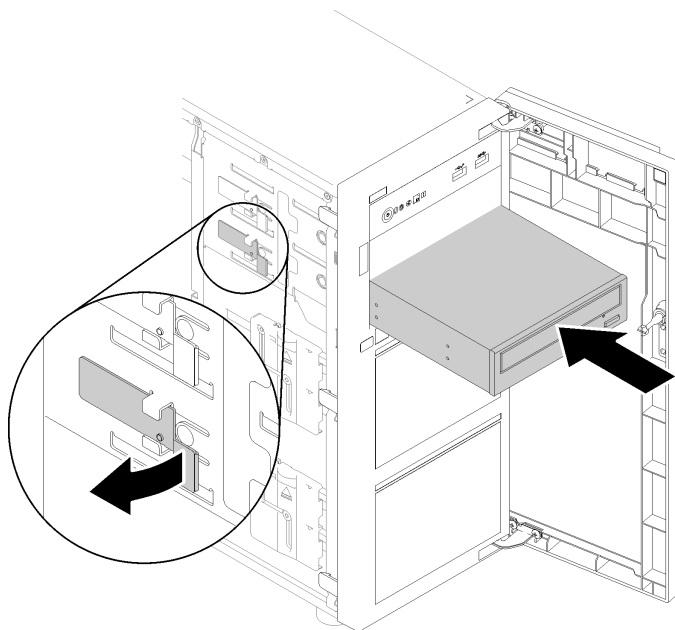


Figure 84. Optical drive installation

- Step 7. Connect the power cable and the signal cable to the rear of the optical drive. See “Cable routing: optical drive” on page 34.

Step 8. Save the removed EMI-protective shield from the chassis and the plastic bay filler from the front bezel in case you later remove the drive and need the shields to cover the drive bay.

After installing the optical drive:

Complete the parts replacement. See “Complete the parts replacement” on page 153

PCIe adapter replacement

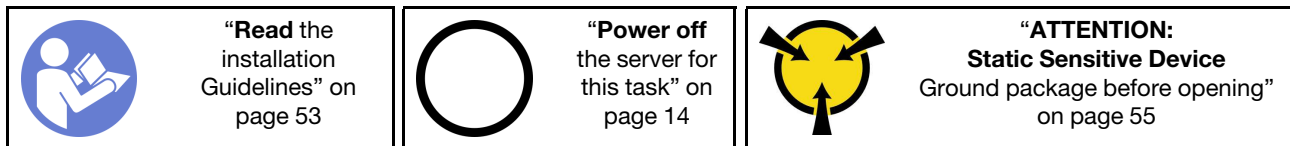
Use this information to remove and install a PCIe adapter.

Your server comes with four PCIe slots. Depending on your needs, you can install a PCIe adapter to obtain the corresponding function or remove the adapter if necessary. The PCIe adapter can be an Ethernet adapter, a host bus adapter, a RAID adapter, a graphics adapter, or any other supported PCIe adapters. PCIe adapters vary by type, but the installation and removal procedures are the same.

Note: For a list of the supported PCIe adapters, see:
<https://static.lenovo.com/us/en/serverproven/index.shtml>

Remove a PCIe adapter

Use this information to remove a PCIe adapter.



Before removing a PCIe adapter:

1. **Watch the procedure.** A video of this procedure is available from the following links:
 - Youtube: <https://www.youtube.com/playlist?list=PLYV5R7hVcs-Dy5N2dPXFx5Pht-FIjAi6S>
 - Youku: https://list.youku.com/albumlist/show/id_51977169
2. If the server is in a rack, remove it from the rack.
3. Remove any locking device that secures the server cover, such as a Kensington lock or a pad lock.
4. Remove the server cover (see “Remove the server cover” on page 134).
5. Remove the processor and the heat sink if necessary (see “Remove the processor” on page 131).

Notes:

- Depending on the specific type, your PCIe adapter might look different from the illustration in this topic.
- Use any documentation that comes with the PCIe adapter and follow those instructions in addition to the instructions in this topic.

To remove a PCIe adapter, complete the following steps:

- Step 1. Lay the server on its side for easier operation.
- Step 2. Locate the PCIe adapter you want to remove. Depending on the type of a PCIe card, you might also need to disconnect all cables from a PCIe card, the system board, or the hot-swap drive backplane.
- Step 3. If the PCIe adapter is secured by a retaining clip, disengage the adapter from the retaining clip first.

Step 4. Open the adapter latch as shown; then, grasp the PCIe adapter by its edges and carefully pull it out of the slot.

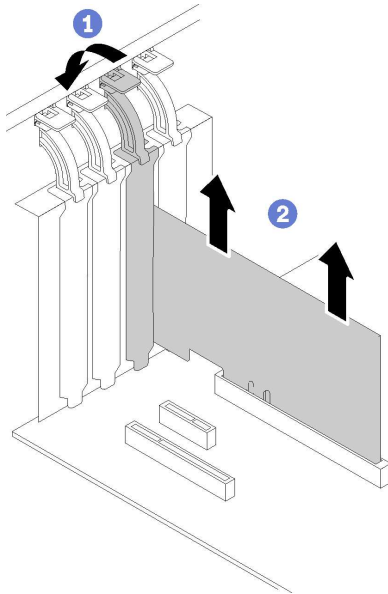



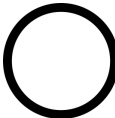

Figure 85. PCIe adapter removal

After removing the PCIe adapter:

1. Install another PCIe adapter if necessary (see “Install a PCIe adapter” on page 107). Otherwise, install a bracket to cover the vacancy.
2. If you are instructed to return the defective component, please package the part to prevent any shipping damage. Reuse the packaging the new part arrived in and follow all packaging instructions.

Install a PCIe adapter

Use this information to install a PCIe adapter.

	“Read the installation Guidelines” on page 53		“Power off the server for this task” on page 14		“ATTENTION: Static Sensitive Device Ground package before opening” on page 55
---	--	---	--	--	--

Notes:

- Depending on the specific type, your PCIe adapter might look different from the illustration in this topic.
- Use any documentation that comes with the PCIe adapter and follow those instructions in addition to the instructions in this topic.
- ThinkSystem Broadcom NX-E PCIe 10Gb 2-Port Base-T Ethernet Adapter can only be installed in the slot 2.

Before installing a PCIe adapter:

1. **Watch the procedure.** A video of this procedure is available from the following links:
 - Youtube: <https://www.youtube.com/playlist?list=PLYV5R7hVcs-Dy5N2dPXFx5Pht-FljAi6S>
 - Youku: https://list.youku.com/albumlist/show/id_51977169
2. If a bracket is installed in the PCIe slot, remove it. Store the bracket for the PCIe slot in case that you later remove the PCIe adapter and need the bracket to cover the place.
3. Touch the static-protective package that contains the component to any unpainted metal surface on the server; then, remove it from the package and place it on a static-protective surface.

To install a PCIe adapter, complete the following steps:

- Step 1. Lay the server on its side for easier operation.
- Step 2. Locate the applicable PCIe slot. See “Specifications” on page 3 to identify the different types of PCIe slots in your server.
- Step 3. Open the card latch. Position the new PCIe adapter over the PCIe slot; then, carefully press the PCIe card straight down until it is securely seated in the slot. Close the card latch to secure the PCIe adapter in place.

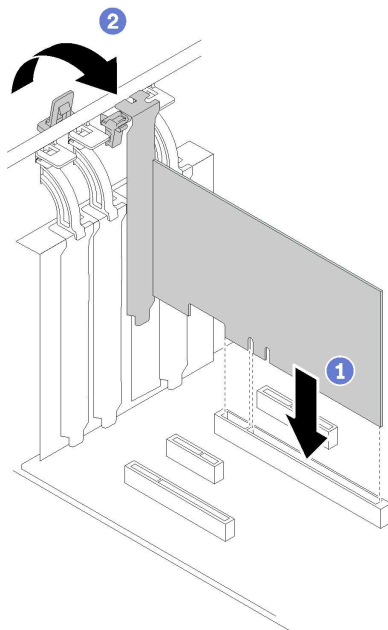


Figure 86. PCIe adapter installation

- Step 4. Depending on the type of the PCIe adapter, you might need to connect any required cables. Refer to “Internal cable routing” on page 31 or the documentation that comes with the PCIe adapter for specific information.

After installing the PCIe adapter:


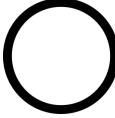

Complete the parts replacement. See “Complete the parts replacement” on page 153

Power distribution board replacement

Use this information to remove and install the power distribution board.

Remove the power distribution board

Use this information to remove the power distribution board.

	<p>“Read the installation Guidelines” on page 53</p>		<p>“Power off the server for this task” on page 14</p>		<p>“ATTENTION: Static Sensitive Device Ground package before opening” on page 55</p>
---	--	---	--	--	--

S001



Electrical current from power, telephone, and communication cables is hazardous.
To avoid a shock hazard:

- Connect all power cords to a properly wired and grounded electrical outlet/source.
- Connect any equipment that will be attached to this product to properly wired outlets/sources.
- When possible, use one hand only to connect or disconnect signal cables.
- Never turn on any equipment when there is evidence of fire, water, or structural damage.
- The device might have more than one power cord, to remove all electrical current from the device, ensure that all power cords are disconnected from the power source.

Before removing the power distribution board:

1. **Watch the procedure.** A video of this procedure is available from the following links:
 - Youtube: <https://www.youtube.com/playlist?list=PLYV5R7hVcs-Dy5N2dPXFx5Pht-FIjAi6S>
 - Youku: https://list.youku.com/albumlist/show/id_51977169
2. If the server is in a rack, remove it from the rack.
3. Remove any locking device that secures the server cover, such as a Kensington lock or a pad lock.
4. Remove the server cover (see “Remove the server cover” on page 134).

To remove the power distribution board, complete the following steps:

- Step 1. Remove the hot-swap redundant power supply. See “Remove a hot-swap power supply” on page 121.
- Step 2. Remove the power distribution board cover by removing the screw.
- Step 3. Disconnect the power cables from the power distribution board.
- Step 4. Pull the power distribution board outward to release it from the power supply cage; then, remove the power distribution board out of the chassis.

Note: Carefully handle the power distribution board by its edges.

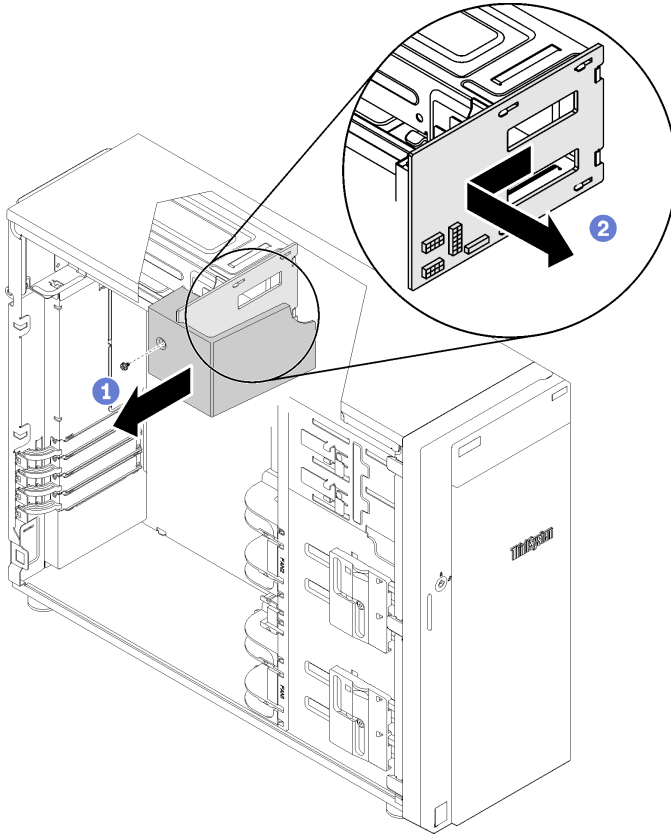



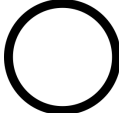

Figure 87. Power distribution board removal

After removing the power distribution board:

If you are instructed to return the defective component, please package the part to prevent any shipping damage. Reuse the packaging the new part arrived in and follow all packaging instructions.

Install the power distribution board

Use this information to install the power distribution board.

 <p>“Read the installation Guidelines” on page 53</p>	 <p>“Power off the server for this task” on page 14</p>	 <p>“ATTENTION: Static Sensitive Device Ground package before opening” on page 55</p>
--	--	---

S001





**Electrical current from power, telephone, and communication cables is hazardous.
To avoid a shock hazard:**

- **Connect all power cords to a properly wired and grounded electrical outlet/source.**
- **Connect any equipment that will be attached to this product to properly wired outlets/sources.**
- **When possible, use one hand only to connect or disconnect signal cables.**
- **Never turn on any equipment when there is evidence of fire, water, or structural damage.**
- **The device might have more than one power cord, to remove all electrical current from the device, ensure that all power cords are disconnected from the power source.**

Before installing the power distribution board,

1. **Watch the procedure.** A video of this procedure is available from the following links:
 - Youtube: <https://www.youtube.com/playlist?list=PLYV5R7hVcs-Dy5N2dPXFx5Pht-FIjAi6S>
 - Youku: https://list.youku.com/albumlist/show/id_51977169
2. Touch the static-protective package that contains the component to any unpainted metal surface on the server; then, remove it from the package and place it on a static-protective surface.

To install the power distribution board, complete the following steps:

- Step 1. Lay the server on its side for easier operation.
- Step 2. Hold the power distribution board by its edges and position it to the power supply cage. Ensure that the four tabs on the power supply cage are inserted into the corresponding holes in the power distribution board; then, push the power distribution board inward.

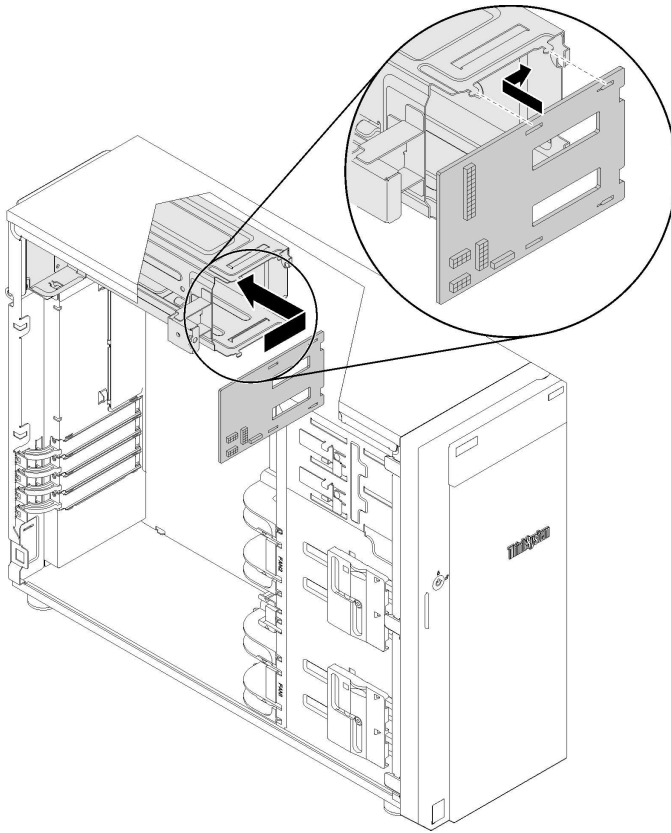


Figure 88. Power distribution board installation

- Step 3. Connect the power cables to the new power distribution board; then, properly route the cables and secure the cables with the cable clips and ties in the chassis.
- Step 4. Ensure that the hole in the power distribution board cover is aligned with the one in the power supply cage; then, install the screw to secure the power distribution board cover.

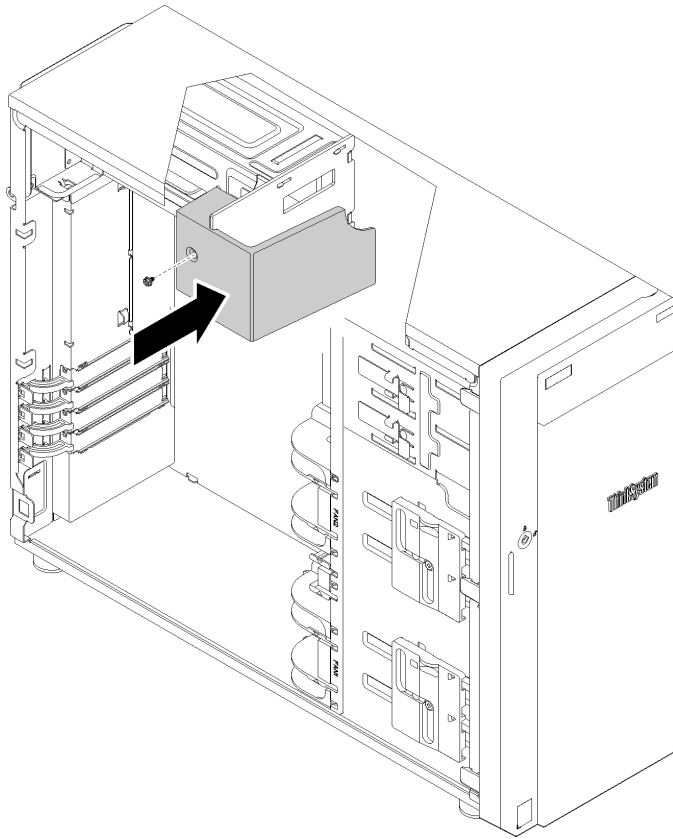


Figure 89. Power distribution board cover installation

After installing the power distribution board:


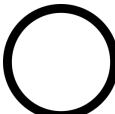

Complete the parts replacement. See “Complete the parts replacement” on page 153

Power supply unit replacement

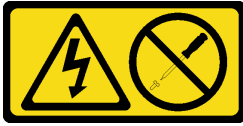
Use this information to remove and install the fixed or redundant power supply unit.

Remove the fixed power supply

Use this information to remove the fixed power supply.

 <p>“Read the installation Guidelines” on page 53</p>	 <p>“Power off the server for this task” on page 14</p>	 <p>“ATTENTION: Static Sensitive Device Ground package before opening” on page 55</p>
--	--	---

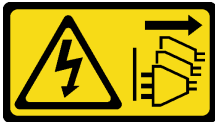
S035



CAUTION:

Never remove the cover on a power supply or any part that has this label attached. Hazardous voltage, current, and energy levels are present inside any component that has this label attached. There are no serviceable parts inside these components. If you suspect a problem with one of these parts, contact a service technician.

S002



CAUTION:

The power-control button on the device and the power switch on the power supply do not turn off the electrical current supplied to the device. The device also might have more than one power cord. To remove all electrical current from the device, ensure that all power cords are disconnected from the power source.

S001



Electrical current from power, telephone, and communication cables is hazardous.
To avoid a shock hazard:

- Connect all power cords to a properly wired and grounded electrical outlet/source.
- Connect any equipment that will be attached to this product to properly wired outlets/sources.
- When possible, use one hand only to connect or disconnect signal cables.
- Never turn on any equipment when there is evidence of fire, water, or structural damage.
- The device might have more than one power cord, to remove all electrical current from the device, ensure that all power cords are disconnected from the power source.



Figure 90. Fixed power supply label on the cover

NEVER CONNECT AND DISCONNECT THE POWER SUPPLY CABLE AND EQUIPMENT WHILE YOUR EQUIPMENT IS POWERED ON WITH DC SUPPLY (hot-plugging). Otherwise you may damage the equipment and result in data loss, the damages and losses result from incorrect operation of the equipment will not be covered by the manufacturers' warranty.

S035



CAUTION:

Never remove the cover on a power supply or any part that has this label attached. Hazardous voltage, current, and energy levels are present inside any component that has this label attached. There are no serviceable parts inside these components. If you suspect a problem with one of these parts, contact a service technician.

S019



CAUTION:

The power-control button on the device does not turn off the electrical current supplied to the device. The device also might have more than one connection to dc power. To remove all electrical current from the device, ensure that all connections to dc power are disconnected at the dc power input terminals.

S029





DANGER

For -48V dc power supply, electrical current from power cords is hazardous.

To avoid a shock hazard:

- **To connect or disconnect -48V dc power cords when you need to remove/replace install redundancy power supply unit(s).**

To Connect:

1. Turn OFF subject dc power source(s) and equipment (s) that are attached to this product.
2. Install the power supply unit(s) into the system housing.
3. Attach dc power cord(s) to the product.
 - Ensure correct polarity of -48 V dc connections: RTN is + and -48 V dc is -. Earth ground should be connected very well.
4. Connect dc power cord(s) to subject power source (s).
5. Turn ON all the power source(s).

To Disconnect:

1. Disconnect or turn off the subject dc power source(s) (at the breaker panel) before removing the power supply unit(s).
2. Remove the subject dc cord(s) and make sure the wire terminal of power cord(s) is insulated.
3. Unplug the subject power supply unit(s) from the system housing.

Before removing the fixed power supply:

1. **Watch the procedure.** A video of this procedure is available from the following links:
 - Youtube: <https://www.youtube.com/playlist?list=PLYV5R7hVcs-Dy5N2dPXFx5Pht-FljAi6S>
 - Youku: https://list.youku.com/albumlist/show/id_51977169
2. If the server is in a rack, remove it from the rack.
3. Remove any locking device that secures the server cover, such as a Kensington lock or a pad lock.
4. Remove the server cover (see “Remove the server cover” on page 134).

To remove the fixed power supply, complete the following steps:

- Step 1. Remove all cables on the fixed power supply from the power interface board (PIB).
- Step 2. Remove the four screws at the rear of the chassis that secure the power supply; then, push the power supply from the rear until it is released from the metal retaining tab.
- Step 3. Carefully lift the fixed power supply out of the chassis.

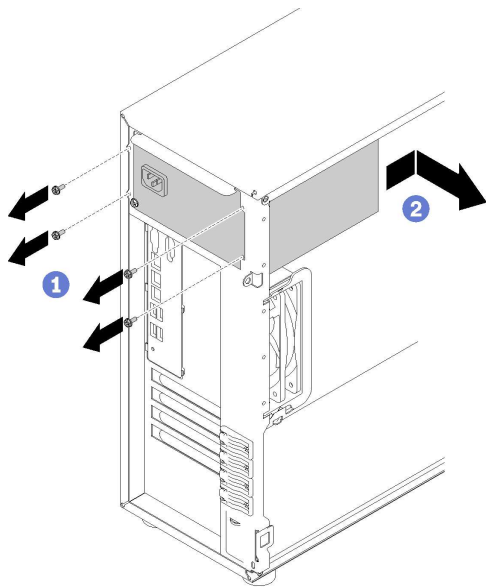



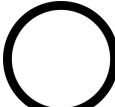

Figure 91. Fixed power supply removal

After removing the fixed power supply:

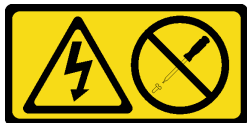
If you are instructed to return the defective component, please package the part to prevent any shipping damage. Reuse the packaging the new part arrived in and follow all packaging instructions.

Install the fixed power supply

Use this information to install the fixed power supply.

 <p>“Read the installation Guidelines” on page 53</p>	 <p>“Power off the server for this task” on page 14</p>	 <p>“ATTENTION: Static Sensitive Device Ground package before opening” on page 55</p>
--	--	---

S035



CAUTION:

Never remove the cover on a power supply or any part that has this label attached. Hazardous voltage, current, and energy levels are present inside any component that has this label attached. There are no serviceable parts inside these components. If you suspect a problem with one of these parts, contact a service technician.

S002



CAUTION:

The power-control button on the device and the power switch on the power supply do not turn off the electrical current supplied to the device. The device also might have more than one power cord. To remove all electrical current from the device, ensure that all power cords are disconnected from the power source.

S001



Electrical current from power, telephone, and communication cables is hazardous.
To avoid a shock hazard:

- Connect all power cords to a properly wired and grounded electrical outlet/source.
- Connect any equipment that will be attached to this product to properly wired outlets/sources.
- When possible, use one hand only to connect or disconnect signal cables.
- Never turn on any equipment when there is evidence of fire, water, or structural damage.
- The device might have more than one power cord, to remove all electrical current from the device, ensure that all power cords are disconnected from the power source.

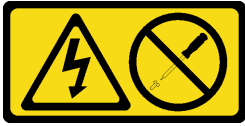


Figure 92. Power supply unit label on the cover

The following tips describe the information that you must consider when you install a power supply with dc input.

NEVER CONNECT AND DISCONNECT THE POWER SUPPLY CABLE AND EQUIPMENT WHILE YOUR EQUIPMENT IS POWERED ON WITH DC SUPPLY (hot-plugging). Otherwise you may damage the equipment and result in data loss, the damages and losses result from incorrect operation of the equipment will not be covered by the manufacturers' warranty.

S035



CAUTION:

Never remove the cover on a power supply or any part that has this label attached. Hazardous voltage, current, and energy levels are present inside any component that has this label attached. There are no serviceable parts inside these components. If you suspect a problem with one of these parts, contact a service technician.

S019



CAUTION:

The power-control button on the device does not turn off the electrical current supplied to the device. The device also might have more than one connection to dc power. To remove all electrical current from the device, ensure that all connections to dc power are disconnected at the dc power input terminals.

S029



**For -48V dc power supply, electrical current from power cords is hazardous.
To avoid a shock hazard:**

- **To connect or disconnect -48V dc power cords when you need to remove/replace install redundancy power supply unit(s).**

To Connect:

1. Turn OFF subject dc power source(s) and equipment (s) that are attached to this product.
2. Install the power supply unit(s) into the system housing.
3. Attach dc power cord(s) to the product.
 - Ensure correct polarity of -48 V dc connections: RTN is + and -48 V dc is -. Earth ground should be connected very well.
4. Connect dc power cord(s) to subject power source (s).
5. Turn ON all the power source(s).

To Disconnect:

1. Disconnect or turn off the subject dc power source(s) (at the breaker panel) before removing the power supply unit(s).
2. Remove the subject dc cord(s) and make sure the wire terminal of power cord(s) is insulated.
3. Unplug the subject power supply unit(s) from the system housing.

Before installing the fixed power supply,

1. **Watch the procedure.** A video of this procedure is available from the following links:
 - Youtube: <https://www.youtube.com/playlist?list=PLYV5R7hVcs-Dy5N2dPxFx5Pht-FIjAi6S>
 - Youku: https://list.youku.com/albumlist/show/id_51977169
2. Touch the static-protective package that contains the component to any unpainted metal surface on the server; then, remove it from the package and place it on a static-protective surface.

To install the fixed power supply, complete the following steps:

- Step 1. Align the tabs on the fixed power supply bracket with the corresponding holes on the chassis.
- Step 2. Pivot the fixed power supply bracket in until it snaps into position.

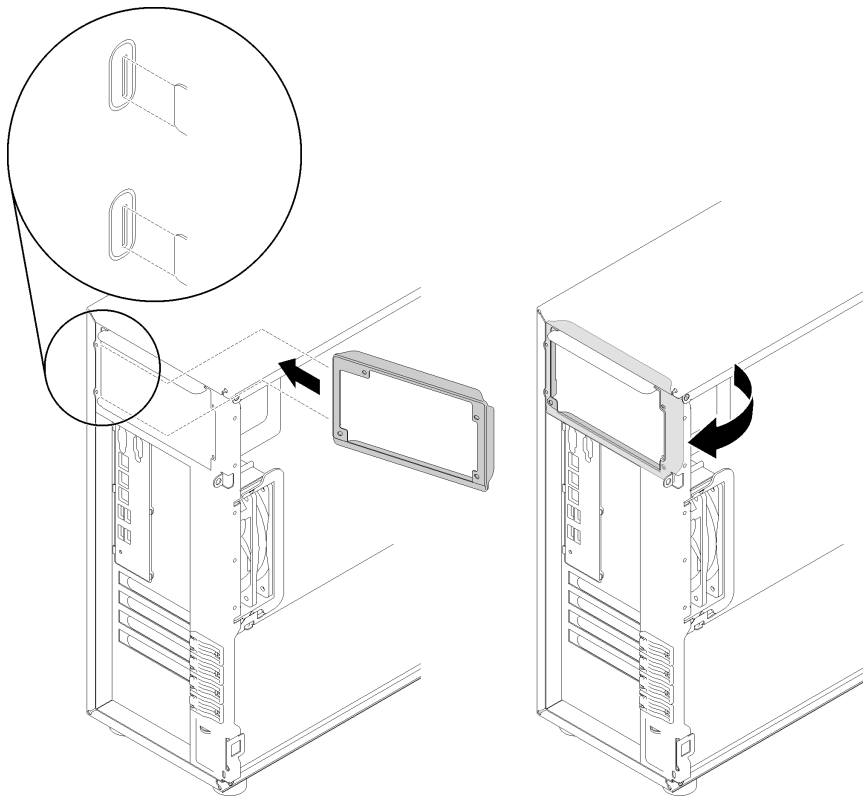


Figure 93. Fixed power supply bracket installation

- Step 3. Slide the fixed power supply into the bay until it snaps into position. Make sure the four screw holes in the fixed power supply are aligned with the corresponding holes in the rear of the chassis
- Step 4. Install the four screws to secure the fixed power supply in place.

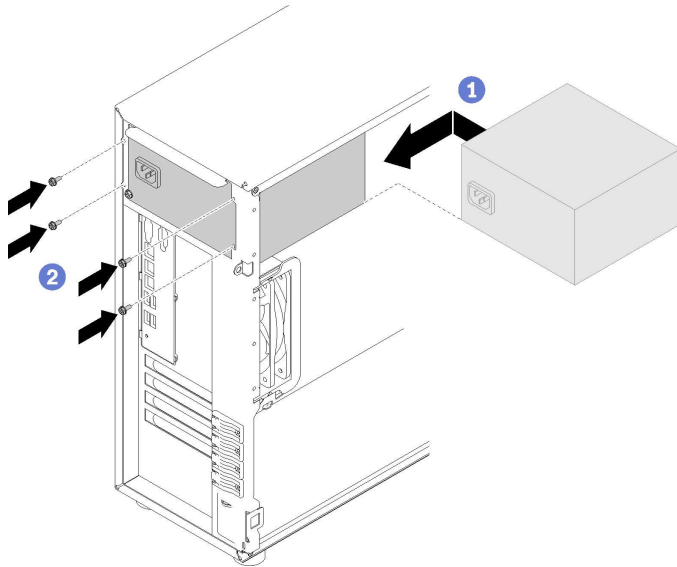


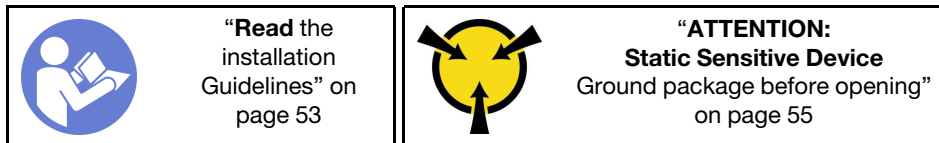
Figure 94. Fixed power supply installation

After installing the fixed power supply:

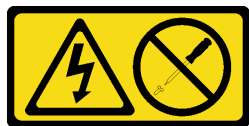
1. Connect all cables on the fixed power supply to corresponding connectors on the system board. See “Fixed power supply” on page 38.
2. Connect the power cable to the power supply and a properly grounded electrical outlet.
3. Power on the server. Ensure that both the power input LED and the power output LED on the power supply are lit, indicating that the power supply is operating properly.
4. Complete the parts replacement. See “Complete the parts replacement” on page 153

Remove a hot-swap power supply

Use this information to remove a hot-swap power supply.



S035



CAUTION:

Never remove the cover on a power supply or any part that has this label attached. Hazardous voltage, current, and energy levels are present inside any component that has this label attached. There are no serviceable parts inside these components. If you suspect a problem with one of these parts, contact a service technician.

S002



CAUTION:

The power-control button on the device and the power switch on the power supply do not turn off the electrical current supplied to the device. The device also might have more than one power cord. To remove all electrical current from the device, ensure that all power cords are disconnected from the power source.

S001



Electrical current from power, telephone, and communication cables is hazardous.
To avoid a shock hazard:

- Connect all power cords to a properly wired and grounded electrical outlet/source.
- Connect any equipment that will be attached to this product to properly wired outlets/sources.
- When possible, use one hand only to connect or disconnect signal cables.
- Never turn on any equipment when there is evidence of fire, water, or structural damage.
- The device might have more than one power cord, to remove all electrical current from the device, ensure that all power cords are disconnected from the power source.

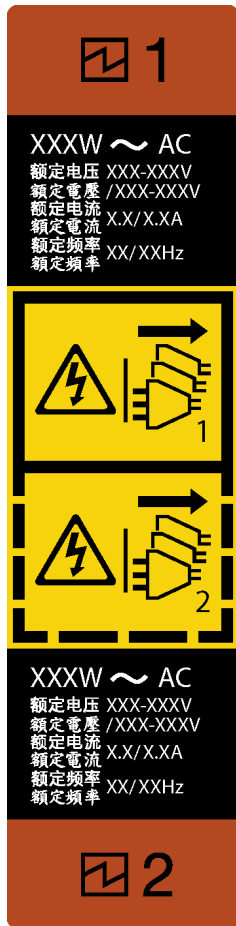


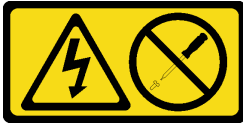
Figure 95. Hot-swap power supply label

Attention: This type of power supply is hot-swap only when two power supplies are installed for redundancy. If only one power supply is installed, you must power off the server first before removing the power supply.

The following tips describe the information that you must consider when you remove a power supply with dc input.

NEVER CONNECT AND DISCONNECT THE POWER SUPPLY CABLE AND EQUIPMENT WHILE YOUR EQUIPMENT IS POWERED ON WITH DC SUPPLY (hot-plugging). Otherwise you may damage the equipment and result in data loss, the damages and losses result from incorrect operation of the equipment will not be covered by the manufacturers' warranty.

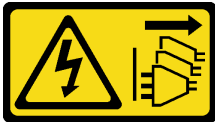
S035



CAUTION:

Never remove the cover on a power supply or any part that has this label attached. Hazardous voltage, current, and energy levels are present inside any component that has this label attached. There are no serviceable parts inside these components. If you suspect a problem with one of these parts, contact a service technician.

S019



CAUTION:

The power-control button on the device does not turn off the electrical current supplied to the device. The device also might have more than one connection to dc power. To remove all electrical current from the device, ensure that all connections to dc power are disconnected at the dc power input terminals.

S029



**For -48V dc power supply, electrical current from power cords is hazardous.
To avoid a shock hazard:**

- **To connect or disconnect -48V dc power cords when you need to remove/replace install redundancy power supply unit(s).**

To Connect:

1. Turn OFF subject dc power source(s) and equipment (s) that are attached to this product.
2. Install the power supply unit(s) into the system housing.
3. Attach dc power cord(s) to the product.
 - Ensure correct polarity of -48 V dc connections: RTN is + and -48 V dc is -. Earth ground should be connected very well.
4. Connect dc power cord(s) to subject power source (s).
5. Turn ON all the power source(s).

To Disconnect:

1. Disconnect or turn off the subject dc power source(s) (at the breaker panel) before removing the power supply unit(s).
2. Remove the subject dc cord(s) and make sure the wire terminal of power cord(s) is insulated.
3. Unplug the subject power supply unit(s) from the system housing.

Before removing the hot-swap power supply:

1. **Watch the procedure.** A video of this procedure is available from the following links:

- Youtube: <https://www.youtube.com/playlist?list=PLYV5R7hVcs-Dy5N2dPXFx5Pht-FIjAi6S>
- Youku: https://list.youku.com/albumlist/show/id_51977169

2. If the server is in a rack, pull back the cable management arm to gain access to the rear of the server and the power supply.

To remove the hot-swap power supply, complete the following steps:

Step 1. Locate the hot-swap power supply in the rear of your server and disconnect the power cord from the power supply.

Step 2. Press the release tab in the direction as shown and carefully pull the handle at the same time to slide the hot-swap power supply out of the chassis.

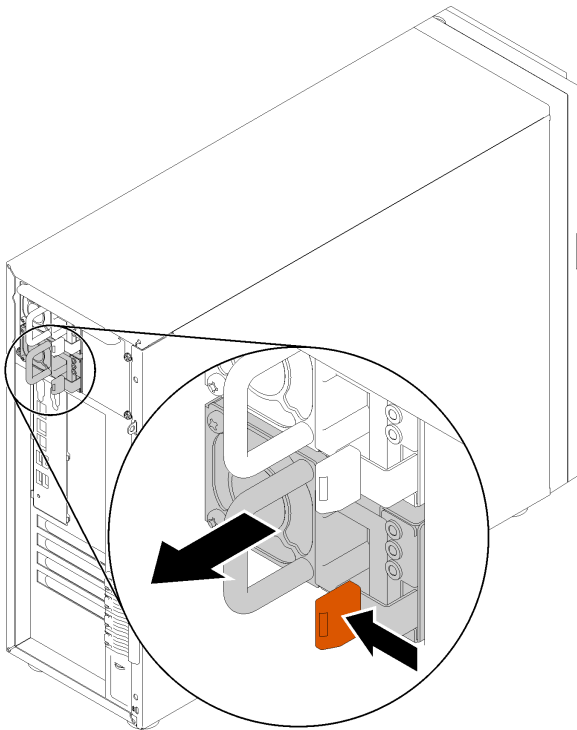


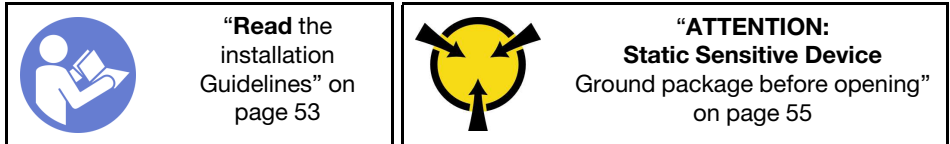
Figure 96. Hot-swap power supply removal

After removing the hot-swap power supply:

1. Install a new power supply or install the power-supply filler to cover the power supply bay. See “Install the hot-swap power supply” on page 125.
2. If you are instructed to return the defective component, please package the part to prevent any shipping damage. Reuse the packaging the new part arrived in and follow all packaging instructions.

Install the hot-swap power supply

Use this information to install the hot-swap power supply.



The following tips describe the type of power supply that the server supports and other information that you must consider when you install a power supply:

- The standard shipping has only one power supply installed in the server. For redundancy and hot-swap support, you must install an additional hot-swap power supply. Certain customized models might be shipped with two power supplies installed.
- Ensure that the devices that you are installing are supported. For a list of supported optional devices for the server, go to:
<https://static.lenovo.com/us/en/serverproven/index.shtml>

Notes:

- Ensure that the two power supplies installed on the server have the same wattage.
- If you are replacing the existing power supply with a new power supply of different wattage, attach the power information label that comes with this option onto the existing label near the power supply.

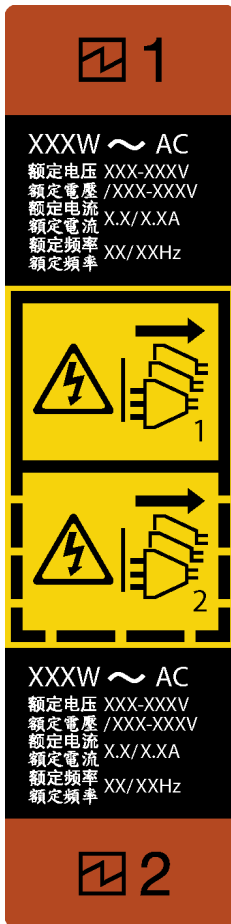
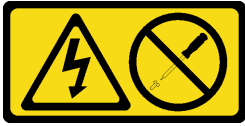


Figure 97. Hot-swap power supply label

S035



CAUTION:

Never remove the cover on a power supply or any part that has this label attached. Hazardous voltage, current, and energy levels are present inside any component that has this label attached. There are no serviceable parts inside these components. If you suspect a problem with one of these parts, contact a service technician.

S002



CAUTION:

The power-control button on the device and the power switch on the power supply do not turn off the electrical current supplied to the device. The device also might have more than one power cord. To remove all electrical current from the device, ensure that all power cords are disconnected from the power source.

S001



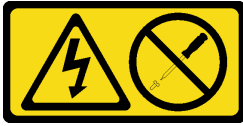
**Electrical current from power, telephone, and communication cables is hazardous.
To avoid a shock hazard:**

- **Connect all power cords to a properly wired and grounded electrical outlet/source.**
- **Connect any equipment that will be attached to this product to properly wired outlets/sources.**
- **When possible, use one hand only to connect or disconnect signal cables.**
- **Never turn on any equipment when there is evidence of fire, water, or structural damage.**
- **The device might have more than one power cord, to remove all electrical current from the device, ensure that all power cords are disconnected from the power source.**

The following tips describe the information that you must consider when you install a power supply with dc input.

NEVER CONNECT AND DISCONNECT THE POWER SUPPLY CABLE AND EQUIPMENT WHILE YOUR EQUIPMENT IS POWERED ON WITH DC SUPPLY (hot-plugging). Otherwise you may damage the equipment and result in data loss, the damages and losses result from incorrect operation of the equipment will not be covered by the manufacturers' warranty.

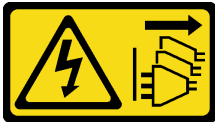
S035



CAUTION:

Never remove the cover on a power supply or any part that has this label attached. Hazardous voltage, current, and energy levels are present inside any component that has this label attached. There are no serviceable parts inside these components. If you suspect a problem with one of these parts, contact a service technician.

S019



CAUTION:

The power-control button on the device does not turn off the electrical current supplied to the device. The device also might have more than one connection to dc power. To remove all electrical current from the device, ensure that all connections to dc power are disconnected at the dc power input terminals.

S029



**For -48V dc power supply, electrical current from power cords is hazardous.
To avoid a shock hazard:**

- **To connect or disconnect -48V dc power cords when you need to remove/replace install redundancy power supply unit(s).**

To Connect:

1. Turn OFF subject dc power source(s) and equipment (s) that are attached to this product.
2. Install the power supply unit(s) into the system housing.
3. Attach dc power cord(s) to the product.
 - Ensure correct polarity of -48 V dc connections: RTN is + and -48 V dc is -. Earth ground should be connected very well.
4. Connect dc power cord(s) to subject power source (s).
5. Turn ON all the power source(s).

To Disconnect:

1. Disconnect or turn off the subject dc power source(s) (at the breaker panel) before removing the power supply unit(s).
2. Remove the subject dc cord(s) and make sure the wire terminal of power cord(s) is insulated.
3. Unplug the subject power supply unit(s) from the system housing.

Before installing the hot -swap power supply,

1. **Watch the procedure.** A video of this procedure is available from the following links:

- Youtube: <https://www.youtube.com/playlist?list=PLYV5R7hVcs-Dy5N2dPXFx5Pht-FIjAi6S>
- Youku: https://list.youku.com/albumlist/show/id_51977169

2. Touch the static-protective package that contains the component to any unpainted metal surface on the server; then, remove it from the package and place it on a static-protective surface.

To install the hot-swap power supply, complete the following steps:

Step 1. If there is a power-supply-bay filler installed, remove it.

Important: To ensure proper cooling during normal server operation, both of the power supply bays must be occupied. This means that each bay must have a power supply installed; or one has a power supply installed and the other has a power-supply filler installed.

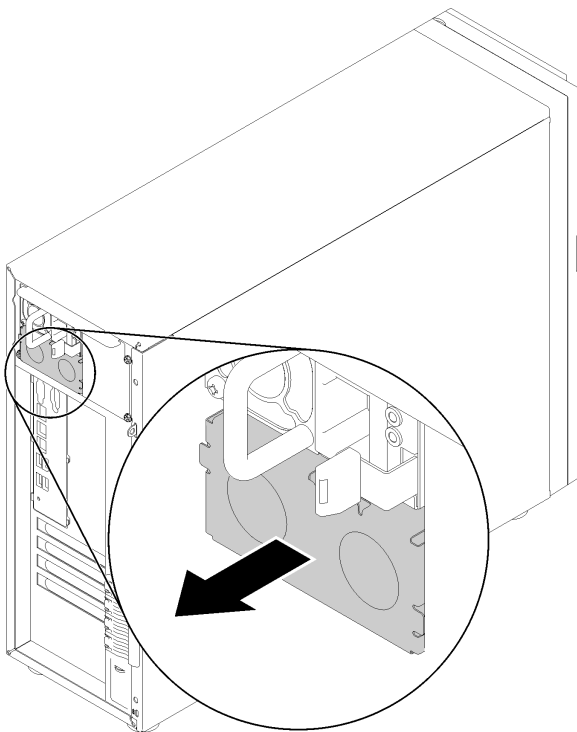


Figure 98. Hot-swap power supply filler removal

Step 2. Note the orientation of the hot-swap power supply, and then slide it into the chassis until it snaps into position.

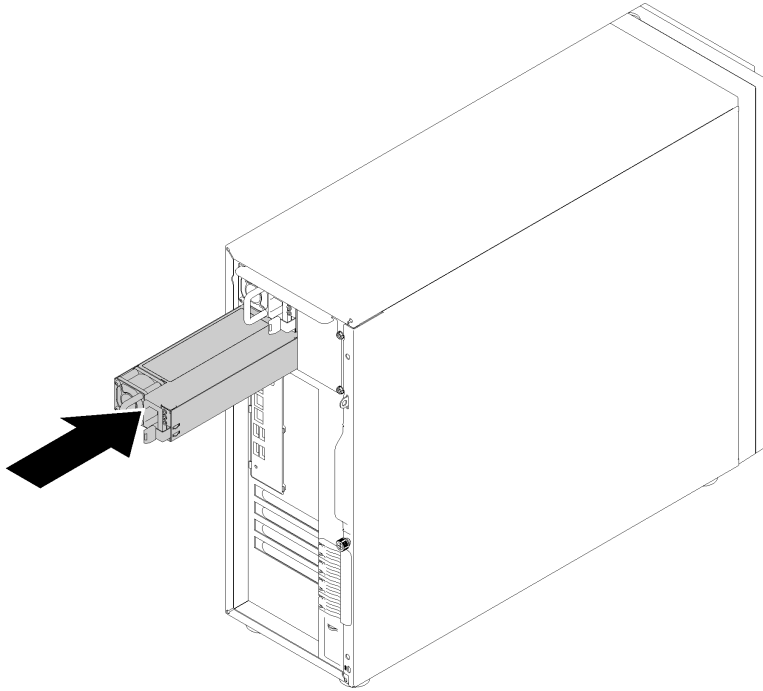


Figure 99. Hot-swap power supply installation

After installing the hot-swap power supply:

1. Connect the power cable to the power supply and a properly grounded electrical outlet.
2. If the server is powered off, power on the server. Ensure that both the power input LED and the power output LED on the power supply are lit, indicating that the power supply is operating properly.
3. Complete the parts replacement. See “Complete the parts replacement” on page 153

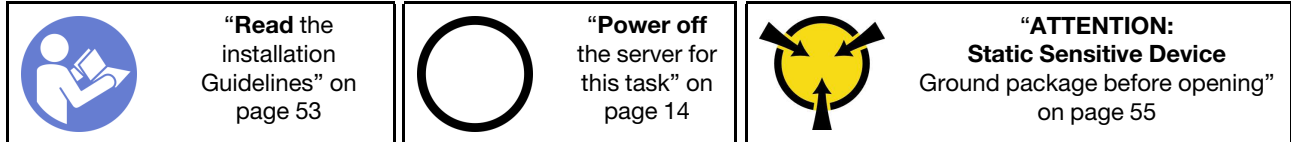
Processor replacement

Use this information to remove and install a processor.

Attention: Before you begin replacing a processor, make sure that you have an alcohol cleaning pad (part number 00MP352) and gray thermal grease (part number 41Y9292).

Remove the processor

Use this information to remove the processor. This procedure must be executed by a trained technician.



Before removing the processor:

1. **Watch the procedure.** A video of this procedure is available from the following links:
 - Youtube: <https://www.youtube.com/playlist?list=PLYV5R7hVcs-Dy5N2dPXFx5Pht-FljAi6S>
 - Youku: https://list.youku.com/albumlist/show/id_51977169
2. If the server is in a rack, remove it from the rack.
3. Remove any locking device that secures the server cover, such as a Kensington lock or a pad lock.
4. Remove the server cover (see “Remove the server cover” on page 134).
5. Remove the heat sink and fan module if necessary (see “Remove the heat sink and fan module” on page 95)

To remove the processor, complete the following steps:

- Step 1. Gently pull the handle away from the processor retainer.

Step 2. Lift the handle along with the retainer to the fully open position.

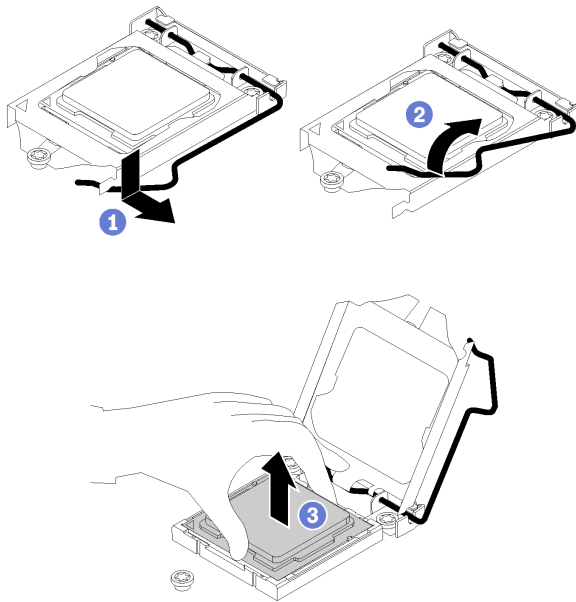


Figure 100. Opening the processor retainer

Step 3. Hold the processor by both sides and gently lift it away from the processor socket.

Notes:




1. Do not touch the gold contacts on the bottom of the processor.
2. Keep the processor socket clean from any object to prevent possible damages.

After removing the processor, perform one of the following tasks immediately:

- Install the replacement processor.
 1. Install the replacement processor to the system board (see “Install the processor ” on page 132).
 2. Package the defective processor that was removed, and return it to Lenovo. To prevent any shipping damage, reuse the packaging of the new processor, and follow all available packaging instructions.
- or
- Install the processor that you removed to the replacement system board.
 1. Install the removed processor to the replacement system board (see “Install the processor ” on page 132).
 2. Package the defective system board, and return it to Lenovo. To prevent any shipping damage, reuse the packaging of the new system board, and follow all available packaging instructions.

Install the processor

Use this information to install the processor. This procedure must be executed by a trained technician.

	<p>“Read the installation Guidelines” on page 53</p>		<p>“Power off the server for this task” on page 14</p>		<p>“ATTENTION: Static Sensitive Device Ground package before opening” on page 55</p>
---	--	---	--	--	--

Before installing the processor:

1. **Watch the procedure.** A video of this procedure is available from the following links:

- Youtube: <https://www.youtube.com/playlist?list=PLYV5R7hVcs-Dy5N2dPXFx5Pht-FIjAi6S>
- Youku: https://list.youku.com/albumlist/show/id_51977169

2. Before reusing a processor that was removed from another system board, wipe the thermal grease from the processor with an alcohol cleaning pad, and dispose of the cleaning pad after all of the thermal grease is removed.

Note: If you are applying new thermal grease on the top of the processor, make sure to do it after the alcohol has fully evaporated.

3. Apply the thermal grease on the top of the processor with syringe by forming four uniformly spaced dots, while each dot consists of about 0.1 ml of thermal grease.

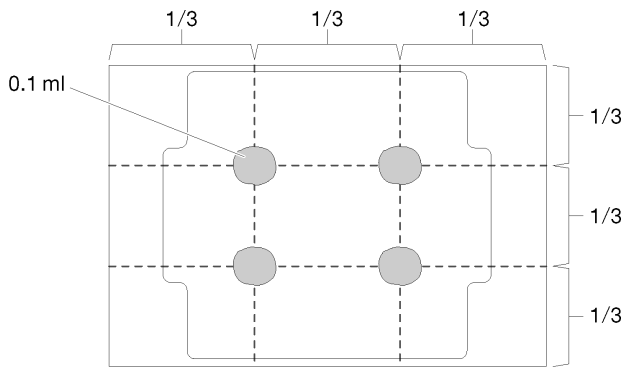


Figure 101. Proper shape of the thermal grease

4. Touch the static-protective package that contains the component to any unpainted metal surface on the server; then, remove it from the package and place it on a static-protective surface.

To install the processor, complete the following steps:

Step 1. Hold the processor by both sides, and align the following:

1. Align **1** the small notches on the processor to **2** the tabs on the socket.
2. Align **3** the small triangle of the processor to **4** the beveled corner on the socket.

Then, gently lower the processor evenly into the socket.

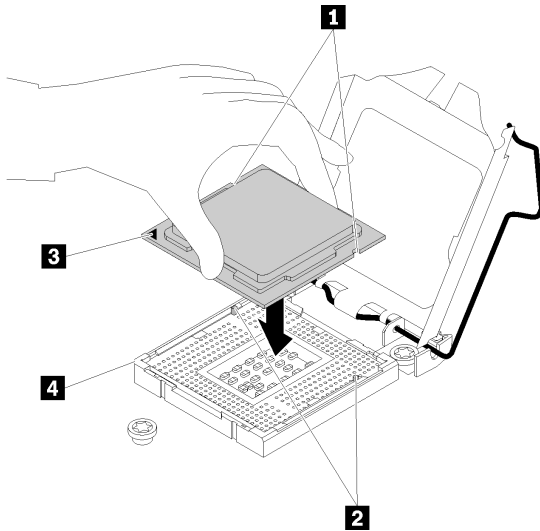


Figure 102. Installing the processor

Step 2. Close the processor retainer, and push the handle to the locked position.

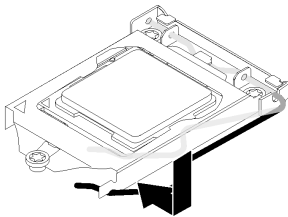


Figure 103. Closing the processor retainer

After installing the processor:

1. Reinstall the heat sink and fan assembly (see “Install the heat sink and the fan module” on page 96).
2. Complete the parts replacement. See “Complete the parts replacement” on page 153

Server cover replacement

Use this information to remove and install the server cover.

Remove the server cover

Use this information to remove the server cover.

	<p>“Read the installation Guidelines” on page 53</p>		<p>“Power off the server for this task” on page 14</p>		<p>“ATTENTION: Static Sensitive Device Ground package before opening” on page 55</p>
--	--	--	--	--	--

S014



CAUTION:

Hazardous voltage, current, and energy levels might be present. Only a qualified service technician is authorized to remove the covers where the label is attached.

S033



CAUTION:

Hazardous energy present. Voltages with hazardous energy might cause heating when shorted with metal, which might result in spattered metal, burns, or both.

Before removing the server cover:

1. **Watch the procedure.** A video of this procedure is available from the following links:
 - Youtube: <https://www.youtube.com/playlist?list=PLYV5R7hVcs-Dy5N2dPXFx5Pht-FIjAi6S>
 - Youku: https://list.youku.com/albumlist/show/id_51977169
2. If the server is in a rack, remove it from the rack.
3. Remove any locking device that secures the server cover, such as a Kensington lock or a pad lock.

Complete the following steps to remove the server cover:

- Step 1. Use a screwdriver to loosen the thumbscrew that secures the server cover. The thumbscrew is an integrated part of the server cover. Do not try to remove the thumbscrew from the server cover
- Step 2. Slide the server cover to the rear until it stops.
- Step 3. Pivot the server cover outward to remove it.

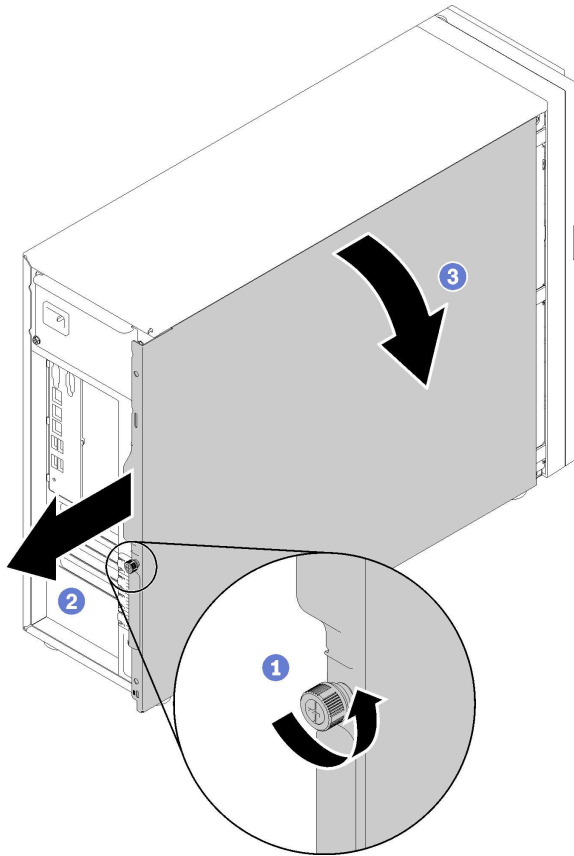


Figure 104. Server cover removal


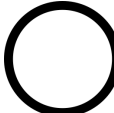

Attention: For proper cooling, always install the server cover before powering on the server. Operating the server without the cover properly installed might result in server component damage.

After removing the server cover:

If you are instructed to return the defective component, please package the part to prevent any shipping damage. Reuse the packaging the new part arrived in and follow all packaging instructions.

Install the server cover

Use this information to install the server cover.

 <p>“Read the installation Guidelines” on page 53</p>	 <p>“Power off the server for this task” on page 14</p>	 <p>“ATTENTION: Static Sensitive Device Ground package before opening” on page 55</p>
--	--	---

S014



CAUTION:

Hazardous voltage, current, and energy levels might be present. Only a qualified service technician is authorized to remove the covers where the label is attached.

S033



CAUTION:

Hazardous energy present. Voltages with hazardous energy might cause heating when shorted with metal, which might result in spattered metal, burns, or both.

Before installing the server cover:

1. **Watch the procedure.** A video of this procedure is available from the following links:
 - Youtube: <https://www.youtube.com/playlist?list=PLYV5R7hVcs-Dy5N2dPXFx5Pht-FIjAi6S>
 - Youku: https://list.youku.com/albumlist/show/id_51977169
2. Ensure that all adapters and other components are installed and seated correctly and that you have not left loose tools or parts inside the server.
3. Ensure that all internal cables are correctly routed. See “Internal cable routing” on page 31.
4. If you are installing a new server cover, attach the service label to the inside of the new server cover first if necessary.

Note: A new server cover comes without a service label attached. If you need a service label, order it together with the new server cover. The service label is free of charge.

To install the server cover, complete the following steps:

Step 1. Position the server cover on the chassis so that the rail on the bottom of the server cover engages the bottom rail on the chassis. Align the tabs on the server cover with the corresponding holes in the top edge of the chassis; then, pivot the server cover to close it.

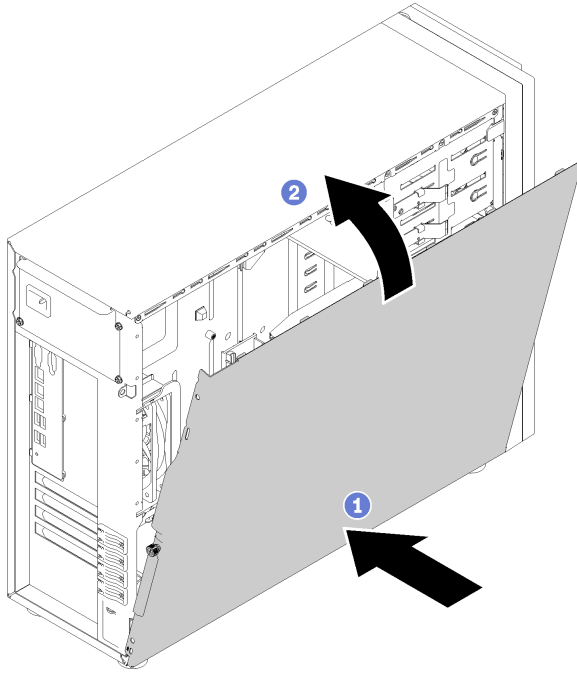


Figure 105. Server cover installation (1)

Note: Before you slide the cover forward, ensure that all the tabs of the cover engage the chassis correctly. If all the tabs do not engage the chassis correctly, it will be very difficult to remove the cover later.

Step 2. Slide the server cover to the front of the chassis until it snaps into position.

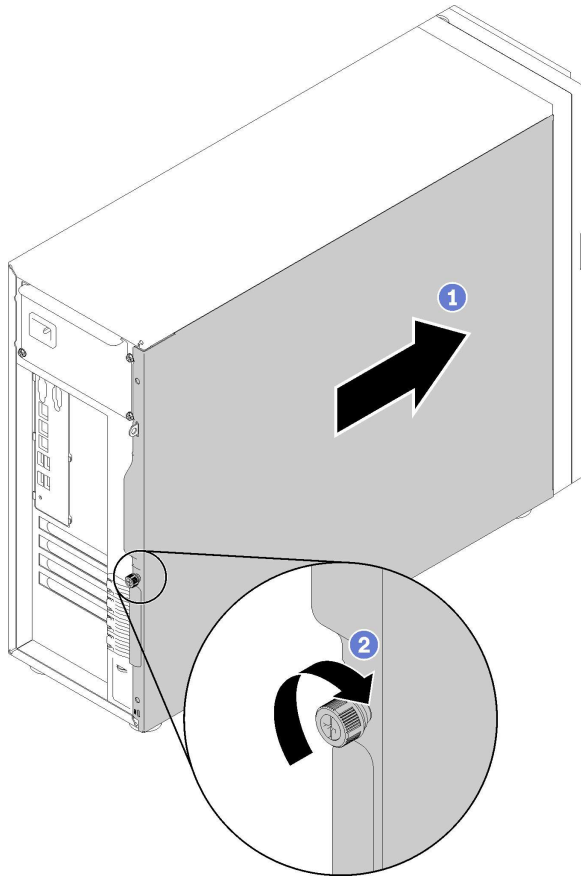


Figure 106. Server cover installation (2)

Step 3. Use a screwdriver to tighten the thumbscrew on the server cover to secure the server cover in place.

After installing the server cover

Complete the parts replacement. See “Complete the parts replacement” on page 153

System board replacement

Use this information to remove and install the system board.

Important: Before you return the system board, make sure that you install the CPU socket dust covers from the new system board. To replace a CPU socket dust cover:

1. Take a dust cover from the CPU socket assembly on the new system board and orient it correctly above the CPU socket assembly on the removed system board.
2. Gently press down the dust cover legs to the CPU socket assembly, pressing on the edges to avoid damage to the socket pins. You might hear a click on the dust cover is securely attached.
3. **Make sure** that the dust cover is securely attached to the CPU socket assembly.

S017



CAUTION:

Hazardous moving fan blades nearby. Keep fingers and other body parts away.

S012

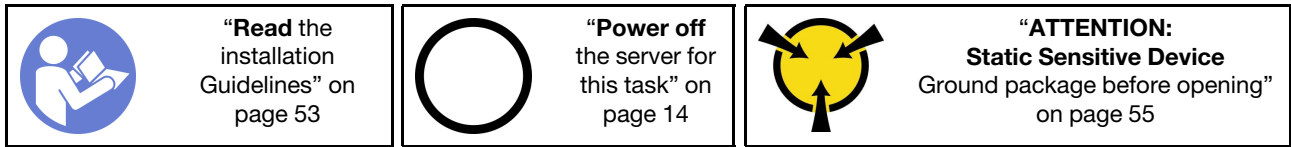


CAUTION:

Hot surface nearby.

Remove the system board

Use this information to remove the system board.



Before removing the system board:

1. **Watch the procedure.** A video of this procedure is available from the following links:
 - Youtube: <https://www.youtube.com/playlist?list=PLYV5R7hVcs-Dy5N2dPXFx5Pht-FIjAi6S>
 - Youku: https://list.youku.com/albumlist/show/id_51977169
2. If the server is in a rack, remove it from the rack.
3. Remove any locking device that secures the server cover, such as a Kensington lock or a pad lock.
4. Remove the server cover (see “Remove the server cover” on page 134).
5. Make note of where the cables are connected to the system board; then, disconnect all the cables.

Attention: Disengage all latches, cable clips, release tabs, or locks on cable connectors beforehand. Failing to release them before removing the cables will damage the cable connectors on the system board. Any damage to the cable connectors may require replacing the system board.
6. Remove any of the following components that are installed on the system board and put them in a safe, static-protective place. See the related topics in Chapter 3 “Hardware replacement procedures” on page 53.
 - Front and rear system fans
 - PCIe adapters
 - DIMMs
 - Heat sink and fan assembly
 - Processor
 - CMOS battery
 - M.2 backplane
 - TPM card (for Chinese Mainland only)

To remove the system board, complete the following steps:

- Step 1. Place the server on the side with the system board facing up.
- Step 2. Remove the eight screws that secure the system board following the recommended numerical sequence as shown; then , carefully remove the system board out of the chassis.

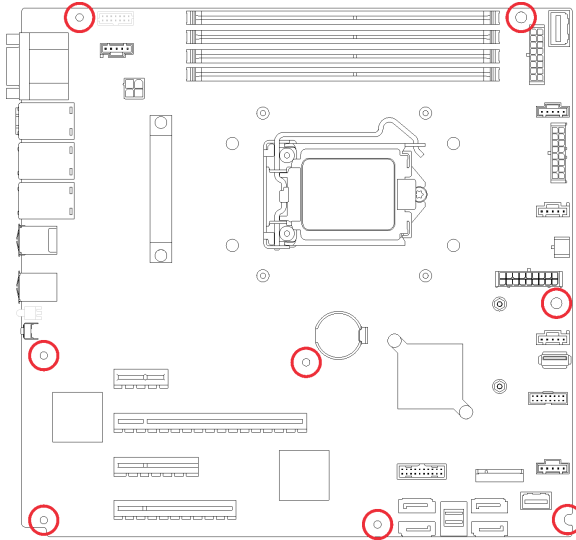


Figure 107. Screw removal that secures the system board

- Step 3. Place the old system board on a clean, flat, and static-protective surface.

After removing the system board:

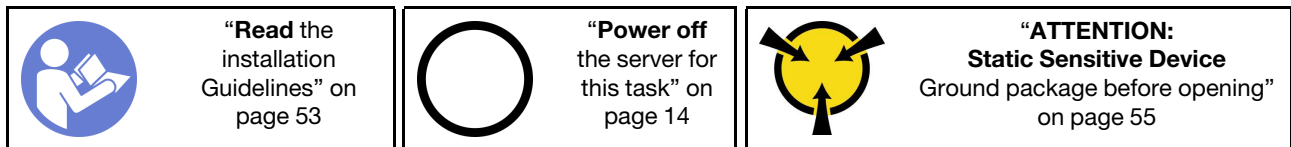
If you are instructed to return the defective component, please package the part to prevent any shipping damage. Reuse the packaging the new part arrived in and follow all packaging instructions.

Important: Before you return the system board, make sure that you install the processor socket dust covers from the new system board. To replace a processor socket dust cover:

1. Take a dust cover from the processor socket assembly on the new system board and orient it correctly above the processor socket assembly on the removed system board.
2. Gently press down the dust cover legs to the processor socket assembly, pressing on the edges to avoid damage to the socket pins. You might hear a click on the dust cover is securely attached.
3. **Make sure** that the dust cover is securely attached to the processor socket assembly.

Install the system board

Use this information to install the system board.



Before installing the system board:

1. **Watch the procedure.** A video of this procedure is available from the following links:

- Youtube: <https://www.youtube.com/playlist?list=PLYV5R7hVcs-Dy5N2dPXFx5Pht-FIjAi6S>
- Youku: https://list.youku.com/albumlist/show/id_51977169

2. Touch the static-protective package that contains the component to any unpainted metal surface on the server; then, remove it from the package and place it on a static-protective surface.

To install the system board, complete the following steps:

Step 1. Note the orientation of the new system board and carefully place it into the chassis. Ensure that the serial port on the new system board is inserted into the corresponding hole in the chassis and the eight screw holes in the new system board are aligned with the corresponding mounting studs on the chassis.

Step 2. Tighten the eight screws to secure the system board in place.

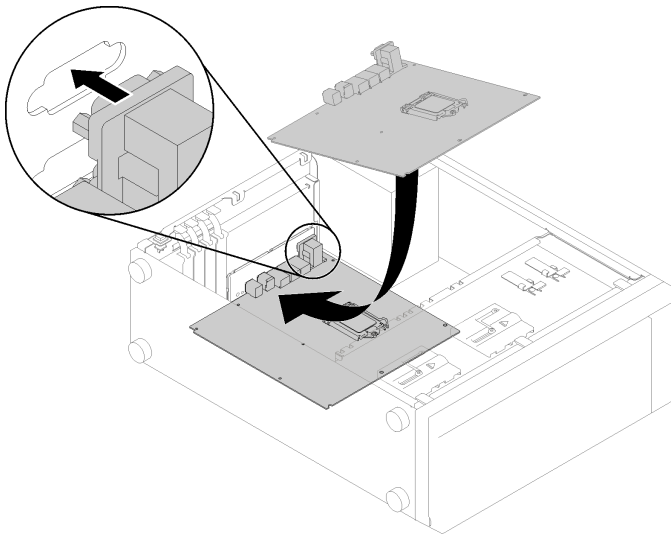


Figure 108. System board installation (1)

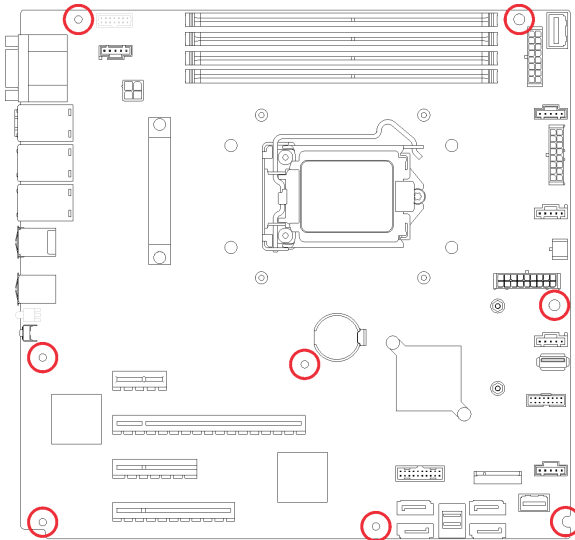


Figure 109. System board installation (2)

After installing the system board:

1. Install any components that you removed from the failing system board. See the related topics in Chapter 3 “Hardware replacement procedures” on page 53.
2. Complete the parts replacement. See “Complete the parts replacement” on page 153
3. Update the machine type and serial number with new vital product data (VPD). Use the Lenovo XClarity Provisioning Manager to update the machine type and serial number. See “Update the machine type and serial number” on page 143.
4. Enable TPM/TCM. See “Enable TPM” on page 144
5. Optionally, enable Secure Boot. See “Enable UEFI Secure Boot” on page 148.

Update the machine type and serial number

After the system board is replaced by trained service technicians, the machine type and serial number must be updated.

There are two methods available to update the machine type and serial number:

- From Lenovo XClarity Provisioning Manager V3

To update the machine type and serial number from Lenovo XClarity Provisioning Manager V3:

1. Start the server and press F1 to display the Lenovo XClarity Provisioning Manager V3 interface.
2. If the power-on Administrator password is required, enter the password.
3. From the System Summary page, click **Update VPD**.
4. Update the machine type and serial number.

- From Lenovo XClarity Essentials OneCLI

Lenovo XClarity Essentials OneCLI sets the machine type and serial number in the Lenovo XClarity Controller. Select one of the following methods to access the Lenovo XClarity Controller and set the machine type and serial number:

- Operate from the target system, such as LAN or keyboard console style (KCS) access
- Remote access to the target system (TCP/IP based)

To update the machine type and serial number from Lenovo XClarity Essentials OneCLI:

1. Download and install Lenovo XClarity Essentials OneCLI.

To download Lenovo XClarity Essentials OneCLI, go to the following site:

<https://datacentersupport.lenovo.com/solutions/HT116433>

2. Copy and unpack the OneCLI package, which also includes other required files, to the server. Make sure that you unpack the OneCLI and the required files to the same directory.
3. After you have Lenovo XClarity Essentials OneCLI in place, type the following commands to set the machine type and serial number:

```
onecli config set SYSTEM_PROD_DATA.SysInfoProdName <m/t_model> [access_method]
onecli config set SYSTEM_PROD_DATA.SysInfoSerialNum <s/n> [access_method]
```

Where:

<m/t_model>

The server machine type and model number. Type m t m xxxxyyy, where xxxx is the machine type and yyy is the server model number.

<s/n>

The serial number on the server. Type s n zzzzzzz, where zzzzzzz is the serial number.

[*access_method*]

The access method that you select to use from the following methods:

- Online authenticated LAN access, type the command:

```
[--bmc-username xcc_user_id --bmc-password xcc_password]
```

Where:

xcc_user_id

The BMC/IMM/XCC account name (1 of 12 accounts). The default value is USERID.

xcc_password

The BMC/IMM/XCC account password (1 of 12 accounts).

Example commands are as follows:

```
onecli config set SYSTEM_PROD_DATA.SysInfoProdName <m/t_model> --bmc-username xcc_user_id  
--bmc-password xcc_password  
onecli config set SYSTEM_PROD_DATA.SysInfoSerialNum <s/n> --bmc-username xcc_user_id  
--bmc-password xcc_password
```

- Online KCS access (unauthenticated and user restricted):

You do not need to specify a value for *access_method* when you use this access method.

Example commands are as follows:

```
onecli config set SYSTEM_PROD_DATA.SysInfoProdName <m/t_model>  
onecli config set SYSTEM_PROD_DATA.SysInfoSerialNum <s/n>
```

Note: The KCS access method uses the IPMI/KCS interface, which requires that the IPMI driver be installed.

- Remote LAN access, type the command:

```
[--bmc xcc_user_id:xcc_password@xcc_external_ip]
```

Where:

xcc_external_ip

The BMC/IMM/XCC IP address. There is no default value. This parameter is required.

xcc_user_id

The BMC/IMM/XCC account (1 of 12 accounts). The default value is USERID.

xcc_password

The BMC/IMM/XCC account password (1 of 12 accounts).

Note: BMC, IMM, or XCC internal LAN/USB IP address, account name, and password are all valid for this command.

Example commands are as follows:

```
onecli config set SYSTEM_PROD_DATA.SysInfoProdName <m/t_model>  
--bmc xcc_user_id:xcc_password@xcc_external_ip  
onecli config set SYSTEM_PROD_DATA.SysInfoSerialNum <s/n>  
--bmc xcc_user_id:xcc_password@xcc_external_ip
```

4. Reset the Lenovo XClarity Controller to the factory defaults. Go to https://sysmgt.lenovofiles.com/help/topic/com.lenovo.systems.management.xcc.doc/NN1ia_c_resettingthexcc.html for more information.

Enable TPM

The server supports Trusted Platform Module (TPM), Version 1.2 or Version 2.0.

Note: For customers in Chinese Mainland, TPM is not supported. However, customers in Chinese Mainland can install a TPM card (sometimes called a daughter card).

When a system board is replaced, you must make sure that the TPM policy is set correctly.

CAUTION:

Take special care when setting the TPM policy. If it is not set correctly, the system board can become unusable.

Set the TPM policy

By default, a replacement system board is shipped with the TPM policy set to **undefined**. You must modify this setting to match the setting that was in place for the system board that is being replaced.

There are two methods available to set the TPM policy:

- From Lenovo XClarity Provisioning Manager

To set the TPM policy from Lenovo XClarity Provisioning Manager:

1. Start the server and press F1 to display the Lenovo XClarity Provisioning Manager interface.
2. If the power-on Administrator password is required, enter the password.
3. From the System Summary page, click **Update VPD**.
4. Set the policy to one of the following settings.
 - **TPM 2.0 enabled - Chinese Mainland only**. Customers in the Chinese Mainland should choose this setting if a NationZ TPM 2.0 adapter is installed.
 - **TPM enabled - ROW**. Customers outside of the Chinese Mainland should choose this setting.
 - **Permanently disabled**. Customers in the Chinese Mainland should use this setting if no TPM adapter is installed.

Note: Although the setting **undefined** is available as a policy setting, it should not be used.

- From Lenovo XClarity Essentials OneCLI

Note: Please note that a Local IPMI user and password must be setup in Lenovo XClarity Controller for remote accessing to the target system.

To set the TPM policy from Lenovo XClarity Essentials OneCLI:

1. Read TpmTcmPolicyLock to check whether the TPM_TCM_POLICY has been locked:
`OneCli.exe config show imm.TpmTcmPolicyLock --override --imm <userid>:<password>@<ip_address>`

Note: The imm.TpmTcmPolicyLock value must be 'Disabled', which means TPM_TCM_POLICY is NOT locked and changes to the TPM_TCM_POLICY are permitted. If the return code is 'Enabled' then no changes to the policy are permitted. The planar may still be used if the desired setting is correct for the system being replaced.
2. Configure the TPM_TCM_POLICY into XCC:
 - For the customer in Chinese Mainland with no TCM/TPM:
`OneCli.exe config set imm.TpmTcmPolicy "NeitherTpmNorTcm" --override --imm <userid>:<password>@<ip_address>`
 - For the customer in Chinese Mainland that has installed TCM/TPM module on the original system (TCM/TPM module should be moved to the FRU prior to changing policy)
`OneCli.exe config set imm.TpmTcmPolicy "TcmOnly" --override --imm <userid>:<password>@<ip_address>`
 - For the customer outside of Chinese Mainland:
`OneCli.exe config set imm.TpmTcmPolicy "TpmOnly" --override --imm <userid>:<password>@<ip_address>`
3. Issue reset command to reset system:
`OneCli.exe misc ospower reboot --imm <userid>:<password>@<ip_address>`

4. Read back the value to check whether the change has been accepted:

```
OneCli.exe config show imm.TpmTcmPolicy --override --imm <userid>:<password>@<ip_address>
```

Notes:

- If the read back value is matched it means the TPM_TCM_POLICY has been set correctly.

imm.TpmTcmPolicy is defined as below:

- Value 0 use string “Undefined” , which means UNDEFINED policy.
- Value 1 use string “NeitherTpmNorTcm”, which means TPM_PERM_DISABLED.
- Value 2 use string “TpmOnly”, which means TPM_ALLOWED.
- Value 4 use string “TcmOnly”, which means TCM_ALLOWED.
- Below 4 steps must also be used to ‘lock’ the TPM_TCM_POLICY when using OneCli/ASU commands:

5. Read TpmTcmPolicyLock to check whether the TPM_TCM_POLICY has been locked , command as below:

```
OneCli.exe config show imm.TpmTcmPolicyLock --override --imm <userid>:<password>@<ip_address>
```

The value must be 'Disabled', it means TPM_TCM_POLICY is NOT locked and must be set.

6. Lock the TPM_TCM_POLICY:

```
OneCli.exe config set imm.TpmTcmPolicyLock "Enabled"--override --imm <userid>:<password>@<ip_address>
```

7. Issue reset command to reset system, command as below:

```
OneCli.exe misc ospower reboot --imm <userid>:<password>@<ip_address>
```

During the reset, UEFI will read the value from imm.TpmTcmPolicyLock, if the value is 'Enabled' and the imm.TpmTcmPolicy value is invalid, UEFI will lock the TPM_TCM_POLICY setting.

The valid value for imm.TpmTcmPolicy includes 'NeitherTpmNorTcm', 'TpmOnly' and 'TpmOnly'.

If the imm.TpmTcmPolicy is set as 'Enabled' but imm.TpmTcmPolicy value is invalid, UEFI will reject the 'lock' request and change imm.TpmTcmPolicy back to 'Disabled'.

8. Read back the value to check whether the ‘Lock’ is accepted or rejected. command as below:

```
OneCli.exe config show imm.TpmTcmPolicy --override --imm <userid>:<password>@<ip_address>
```

Note: If the read back value is changed from 'Disabled' to 'Enabled' that means the TPM_TCM_POLICY has been locked successfully. There is no method to unlock a policy once it has been set other than replacing system board.

imm.TpmTcmPolicyLock is defined as below:

Value 1 use string “Enabled” , which means lock the policy. Other values are not accepted.

Procedure also requires that Physical Presence is enabled. The Default value for FRU will be enabled.
PhysicalPresencePolicyConfiguration.PhysicalPresencePolicy=Enable

Assert Physical Presence

Before you can assert Physical Presence, the Physical Presence Policy must be enabled. By default, the Physical Presence Policy is enabled with a timeout of 30 minutes.

There are two ways to assert the Physical Presence:

1. If the Physical Presence Policy is enabled, you can assert Physical Presence through the Lenovo XClarity Provisioning Manager or through the Lenovo XClarity Controller.
2. Switch the hardware jumpers on the system board.

Notes: If the Physical Presence Policy has been disabled:

1. Set the hardware Physical Presence jumper on the system board to assert Physical Presence.
2. Enable the Physical Presence Policy using either F1 (UEFI Settings) or Lenovo XClarity Essentials OneCLI.

Assert Physical Presence through the Lenovo XClarity Controller

Complete the following steps to assert Physical Presence through the Lenovo XClarity Controller:

1. Log in to the Lenovo XClarity Controller interface.

For information about logging in to the Lenovo XClarity Controller, see:

http://sysmgt.lenovofiles.com/help/topic/com.lenovo.systems.management.xcc.doc/dw1lm_c_chapter2_openingandusing.html

2. Click **BMC Configuration** → **Security** and verify that Physical Presence is set to **assert**.

Assert Physical Presence through the hardware

You can also assert hardware Physical Presence through the use of a jumper on the system board. For more information about asserting hardware Physical Presence through the use of a jumper, see:

“System board jumpers” on page 30.

Set the TPM version

To be able to set the TPM version, Physical Presence must be asserted.

The Lenovo XClarity Provisioning Manager or the Lenovo XClarity Essentials OneCLI can be used to set the TPM version.

To set the TPM version:

1. Download and install Lenovo XClarity Essentials OneCLI.
 - a. Go to <http://datacentersupport.lenovo.com> and navigate to the support page for your server.
 - b. Click **Drivers & Software**.
 - c. Navigate to the version of Lenovo XClarity Essentials OneCLI for your operating system and download the package.
2. Run the following command to set the TPM version:

Note: You can change the TPM version from 1.2 to 2.0 and back again. However, you can toggle between versions a maximum of 128 times.

To set the TPM version to version 2.0:

```
OneCli.exe config set TrustedComputingGroup.DeviceOperation "Update to TPM2.0 compliant"  
--bmc userid:password@ip_address
```

To set the TPM version to version 1.2:

```
OneCli.exe config set TrustedComputingGroup.DeviceOperation "Update to TPM1.2 compliant"  
--bmc userid:password@ip_address
```

where:

- `<userid>:<password>` are the credentials used to access the BMC (Lenovo XClarity Controller interface) of your server. The default user ID is USERID, and the default password is PASSWORD (zero, not an uppercase o)
- `<ip_address>` is the IP address of the BMC.

For more information about the Lenovo XClarity Essentials OneCLI **set** command, see:

http://sysmgt.lenovofiles.com/help/topic/toolsctr_cli_lenovo/onecli_r_set_command.html

3. Alternatively, you can use the following Advanced Settings Utility (ASU) commands:

To set the TPM version to version 2.0:

```
asu64 set TPMVersion.TPMVersion "Update to TPM2.0 compliant" --host <ip_address>
--user <userid> --password <password> --override
```

To set the TPM version to version 1.2:

```
asu64 set TPMVersion.TPMVersion "Update to TPM1.2 compliant" --host <ip_address>
--user <userid> --password <password> --override
```

where:

- <userid> and <password> are the credentials used to the BMC (Lenovo XClarity Controller interface) of your server. The default user ID is USERID, and the default password is PASSWORD (zero, not an uppercase o)
- <ip_address> is the IP address of the BMC.

Enable UEFI Secure Boot

Optionally, you can enable UEFI Secure Boot.

There are two methods available to enable UEFI Secure Boot:

- From Lenovo XClarity Provisioning Manager

To enable UEFI Secure Boot from Lenovo XClarity Provisioning Manager:

1. Start the server and press F1 to display the Lenovo XClarity Provisioning Manager interface.
2. If the power-on Administrator password is required, enter the password.
3. From the UEFI Setup page, click **System Settings** → **Security** → **Secure Boot**.
4. Enable Secure Boot and save the settings.

- From Lenovo XClarity Essentials OneCLI

To enable UEFI Secure Boot from Lenovo XClarity Essentials OneCLI:

1. Download and install Lenovo XClarity Essentials OneCLI.

To download Lenovo XClarity Essentials OneCLI, go to the following site:

<https://datacentersupport.lenovo.com/solutions/HT116433>

2. Run the following command to enable Secure Boot:

```
OneCli.exe config set SecureBootConfiguration.SecureBootSetting Enabled
--bmc <userid>:<password>@<ip_address>
```

where:

- <userid>:<password> are the credentials used to access the BMC (Lenovo XClarity Controller interface) of your server. The default user ID is USERID, and the default password is PASSWORD (zero, not an uppercase o)
- <ip_address> is the IP address of the BMC.

For more information about the Lenovo XClarity Essentials OneCLI **set** command, see:

http://sysmgt.lenovofiles.com/help/topic/toolsctr_cli_lenovo/onecli_r_set_command.html

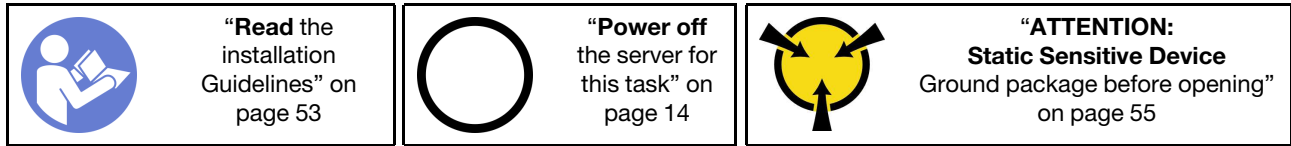
Tape drive replacement

Use this information to remove and install the tape drive.

Your server supports RDX and LTO tape drives.

Remove a tape drive

Use this information to remove a tape drive.



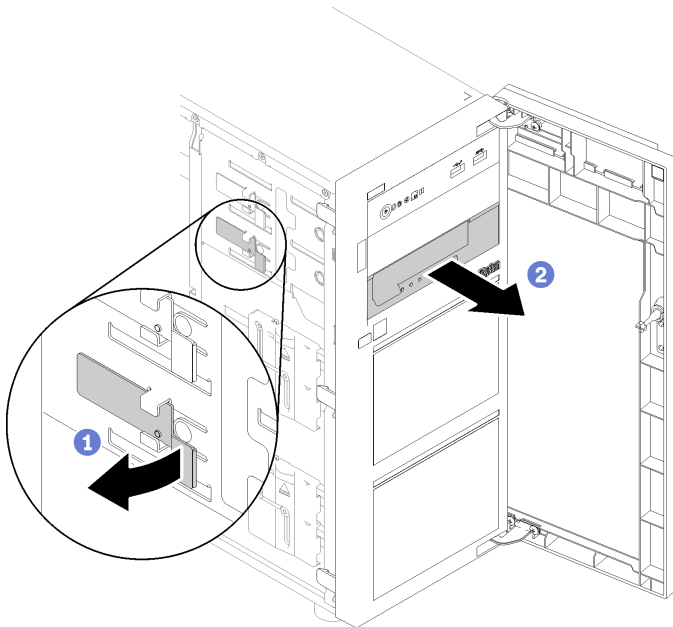
Before removing a tape drive:

1. **Watch the procedure.** A video of this procedure is available from the following links:
 - Youtube: <https://www.youtube.com/playlist?list=PLYV5R7hVcs-Dy5N2dPXFx5Pht-FijAi6S>
 - Youku: https://list.youku.com/albumlist/show/id_51977169
2. If the server is in a rack, remove it from the rack.
3. Remove any locking device that secures the server cover, such as a Kensington lock or a pad lock.
4. Use the front door key to unlock the front door (available on some models), and then open the front door.
5. Remove the server cover (see “Remove the server cover” on page 134).

To remove a tape drive, complete the following steps:

- Step 1. Disconnect the cables from the rear of the tape drive.
- Step 2. Gently pull the metal tab on the side of the chassis and push the tape drive outward from the rear; then, draw the tape drive out of the chassis.

Figure 110. Tape drive removal



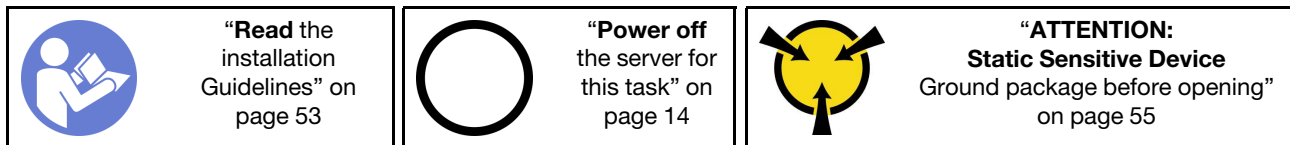
After removing the tape drive:

1. Install one of the following:

- Another tape drive or optical drive.
See “Install a tape drive” on page 150 or “Install an optical drive” on page 103.
 - A drive filler in the vacant drive bay.
2. If you are instructed to return the defective component, please package the part to prevent any shipping damage. Reuse the packaging the new part arrived in and follow all packaging instructions.

Install a tape drive

Use this information to install a tape drive.



Before installing a tape drive:

1. **Watch the procedure.** A video of this procedure is available from the following links:
 - Youtube: <https://www.youtube.com/playlist?list=PLYV5R7hVcs-Dy5N2dPxFx5Pht-FljAi6S>
 - Youku: https://list.youku.com/albumlist/show/id_51977169
2. Touch the static-protective package that contains the component to any unpainted metal surface on the server; then, remove it from the package and place it on a static-protective surface.

To install a tape drive, complete the following steps:

- Step 1. The tape drive must be installed into the lower optical drive bay. If the drive bay is covered by a filler, remove it first. Store the filler in case that you later remove the tape drive and need the filler to cover the place.
- Step 2. Insert the tape drive into the lower drive bay and slide it in until it is obstructed. Gently pull the metal tab on the side of the chassis, and then continue to slide the tape drive in until it snaps into position.

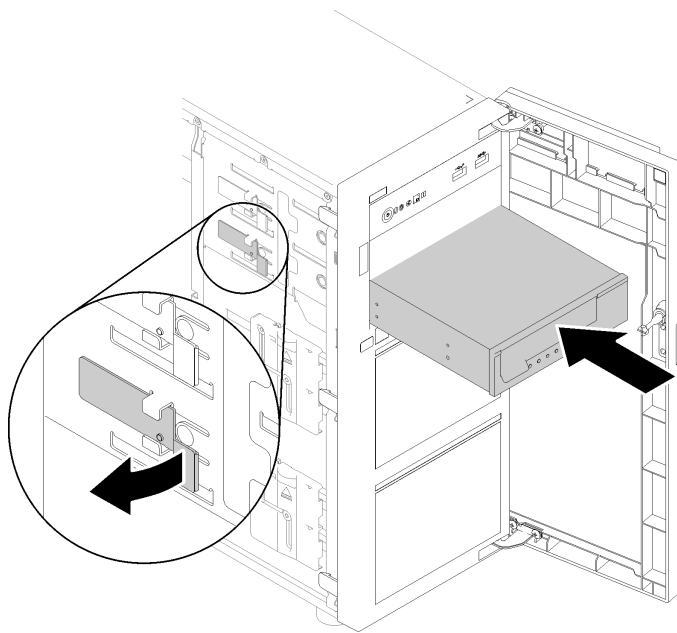


Figure 111. Tape drive installation

Step 3. Connect the power and signal cables to the rear of the tape drive. See “Tape drive” on page 35.

Note: For the LTO tape drive, connect one end of the signal cable to the LTO tape drive; then, connect the other end of the signal cable to the RAID adapter.

After installing the tape drive:


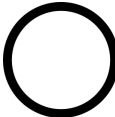

Complete the parts replacement. See “Complete the parts replacement” on page 153

TPM card replacement

Use this information to remove and install the TPM card.

Remove the TPM card

Use this information to remove the TPM card.

 <p>“Read the installation Guidelines” on page 53</p>	 <p>“Power off the server for this task” on page 14</p>	 <p>“ATTENTION: Static Sensitive Device Ground package before opening” on page 55</p>
--	--	---

Before removing the TPM card:

1. **Watch the procedure.** A video of this procedure is available from the following links:
 - Youtube: <https://www.youtube.com/playlist?list=PLYV5R7hVcs-Dy5N2dPXFx5Pht-FljAi6S>
 - Youku: https://list.youku.com/albumlist/show/id_51977169
2. If the server is in a rack, remove it from the rack.
3. Remove any locking device that secures the server cover, such as a Kensington lock or a pad lock.
4. Remove the server cover (see “Remove the server cover” on page 134).

To remove the TPM card, complete the following step:

- Step 1. Locate the TPM card connector on the system board (see “System board components” on page 29).
- Step 2. Carefully hold the TPM card by its edges; then, gently press on the latch, and lift it from the system board.

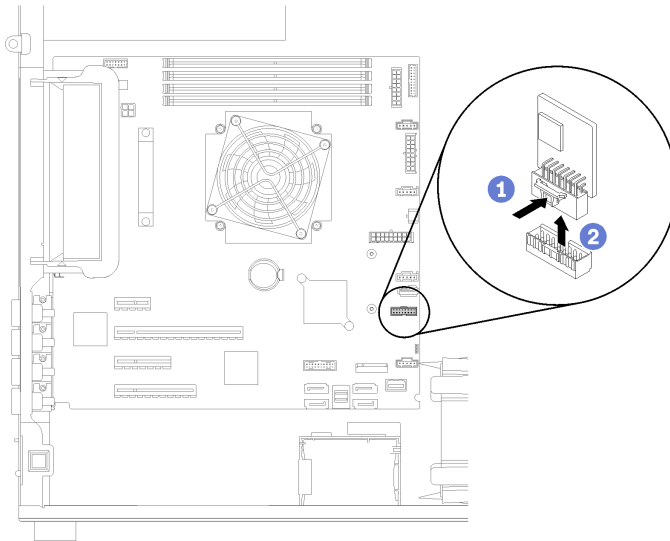


Figure 112. TPM card removal


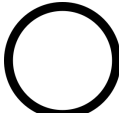

Note: Your TPM card might look slightly different from the illustration.

After removing the TPM card:

If you are instructed to return the defective component, please package the part to prevent any shipping damage. Reuse the packaging the new part arrived in and follow all packaging instructions.

Install the TPM card

Use this information to install the TPM card.

 <p>“Read the installation Guidelines” on page 53</p>	 <p>“Power off the server for this task” on page 14</p>	 <p>“ATTENTION: Static Sensitive Device” Ground package before opening” on page 55</p>
--	--	---

Before installing the TPM card:

1. **Watch the procedure.** A video of this procedure is available from the following links:
 - Youtube: <https://www.youtube.com/playlist?list=PLYV5R7hVcs-Dy5N2dPXFx5Pht-FIjAi6S>
 - Youku: https://list.youku.com/albumlist/show/id_51977169
2. Touch the static-protective package that contains the component to any unpainted metal surface on the server; then, remove it from the package and place it on a static-protective surface.

To install the TPM card, complete the following step:

- Step 1. Locate the TPM card connector on the system board (see “System board components” on page 29).
- Step 2. Carefully hold the TPM card by its edges and insert it into the TPM card connector on the system board.

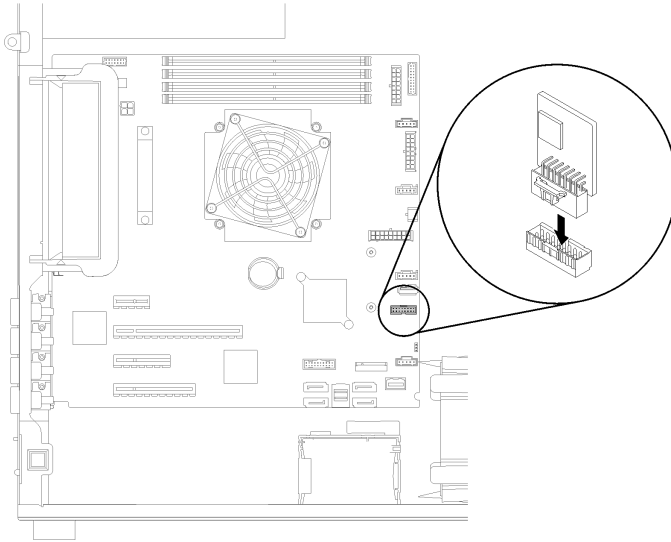


Figure 113. TPM card installation

After installing the TPM card:

Complete the parts replacement. See “Complete the parts replacement” on page 153

Complete the parts replacement

Use this information to complete the parts replacement.

To complete the parts replacement, do the following:

1. Ensure that all components have been reassembled correctly and that no tools or loose screws are left inside your server.
2. Properly route and secure the cables in the server. Refer to the cable connecting and routing information for each component.
3. If you have removed the front bezel, reinstall it. See “Install the front bezel” on page 89
4. If you have removed the front door, reinstall it. See “Install the front door” on page 91.
5. If you have removed the top cover, reinstall it. See “Install the server cover” on page 136.
6. Lock the server cover and server front door (available on some models) to ensure the security. See “Server locks” on page 22.
7. Reconnect external cables and power cords to the server.

Attention: To avoid component damage, connect the power cords last.

8. If necessary, install the server in the rack.
9. Update the server configuration if necessary.
 - Download and install the latest device drivers: <http://datacentersupport.lenovo.com>
 - Update the system firmware. See “Firmware updates” on page 9.
 - Use the Lenovo XClarity Provisioning Manager to update the UEFI configuration. For more information, see: http://sysmgt.lenovofiles.com/help/topic/LXPM/UEFI_setup.html
 - Use the Lenovo XClarity Provisioning Manager to configure the RAID if you have installed or removed a hot-swap drive, a RAID adapter, or the M.2 backplane and M.2 drive. For more information, see: http://sysmgt.lenovofiles.com/help/topic/LXPM/RAID_setup.html

Chapter 4. Problem determination

Use the information in this section to isolate and resolve issues that you might encounter while using your server.

Lenovo servers can be configured to automatically notify Lenovo Support if certain events are generated. You can configure automatic notification, also known as Call Home, from management applications, such as the Lenovo XClarity Administrator. If you configure automatic problem notification, Lenovo Support is automatically alerted whenever a server encounters a potentially significant event.

To isolate a problem, you should typically begin with the event log of the application that is managing the server:

- If you are managing the server from the Lenovo XClarity Administrator, begin with the Lenovo XClarity Administrator event log.
- If you are using some other management application, begin with the Lenovo XClarity Controller event log.

Notes:

- For your server, the Lenovo XClarity Controller web page or command-line interface does not support the display of system utilization information for the following:
 - Processor
 - DIMM
 - I/O

Event logs

An *alert* is a message or other indication that signals an event or an impending event. Alerts are generated by the Lenovo XClarity Controller or by UEFI in the servers. These alerts are stored in the Lenovo XClarity Controller Event Log. If the server is managed by the Chassis Management Module 2 or by the Lenovo XClarity Administrator, alerts are automatically forwarded to those management applications.

Note: For a listing of events, including user actions that might need to be performed to recover from an event, see the *Messages and Codes Reference*, which is available at: http://thinksystem.lenovofiles.com/help/topic/7X09/pdf_files.html

Lenovo XClarity Administrator event log

If you are using Lenovo XClarity Administrator to manage server, network, and storage hardware, you can view the events from all managed devices through the XClarity Administrator.

Logs

Severity	Serviceability	Date and Time	System	Event	System Type	Source ID
Warning	Support	Jan 30, 2017, 7:48:07 AM	Chassis114:...	Node Node 08 device	Chassis	Jan 30, 2017, 7:48:07 AM
Warning	Support	Jan 30, 2017, 7:48:07 AM	Chassis114:...	Node Node 02 device	Chassis	Jan 30, 2017, 7:48:07 AM
Warning	User	Jan 30, 2017, 7:48:07 AM	Chassis114:...	I/O module IO Module	Chassis	Jan 30, 2017, 7:48:07 AM
Warning	User	Jan 30, 2017, 7:48:07 AM	Chassis114:...	Node Node 08 incom	Chassis	Jan 30, 2017, 7:48:07 AM

Figure 114. Lenovo XClarity Administrator event log

For more information about working with events from XClarity Administrator, see:

http://sysmgt.lenovofiles.com/help/topic/com.lenovo.lxca.doc/events_vieweventlog.html

Lenovo XClarity Controller event log

The Lenovo XClarity Controller monitors the physical state of the server and its components using sensors that measure internal physical variables such as temperature, power-supply voltages, fan speeds, and component status. The Lenovo XClarity Controller provides various interfaces to systems management software and to system administrators and users to enable remote management and control of a server.

The Lenovo XClarity Controller monitors all components of the server and posts events in the Lenovo XClarity Controller event log.

Severity	Source	Event ID	Message	Date
Error	System	0X4000000E00000000	Remote login successful. Login ID: userid from webguis at IP address: 10.104.194.180.	27 Jul 2015, 08:11:04 AM
Warning	System	0X4000000E00000000	Remote login successful. Login ID: userid from webguis at IP address: 10.104.194.180.	27 Jul 2015, 08:11:04 AM
Info	System	0X4000000E00000000	Remote login successful. Login ID: userid from webguis at IP address: 10.104.194.180.	27 Jul 2015, 08:11:04 AM
Info	System	0X4000000E00000000	Remote login successful. Login ID: userid from webguis at IP address: 10.104.194.180.	27 Jul 2015, 08:11:04 AM

Figure 115. Lenovo XClarity Controller event log

For more information about accessing the Lenovo XClarity Controller event log, see:

http://sysmgt.lenovofiles.com/help/topic/com.lenovo.systems.management.xcc.doc/event_log.html

General problem determination procedures

Use the information in this section to resolve problems if the event log does not contain specific errors or the server is inoperative.

If you are not sure about the cause of a problem and the power supplies are working correctly, complete the following steps to attempt to resolve the problem:

1. Power off the server.
2. Make sure that the server is cabled correctly.
3. Remove or disconnect the following devices if applicable, one at a time, until you find the failure. Power on and configure the server each time you remove or disconnect a device.
 - Any external devices.
 - Surge-suppressor device (on the server).
 - Printer, mouse, and non-Lenovo devices.
 - Each adapter.
 - Hard disk drives.
 - Memory modules until you reach the minimum configuration that is supported for the server.

See “Specifications” on page 3 to determine the minimum configuration for your server.

4. Power on the server.

If the problem is solved when you remove an adapter from the server, but the problem recurs when you install the same adapter again, suspect the adapter. If the problem recurs when you replace the adapter with a different one, try a different PCIe slot.

If the problem appears to be a networking problem and the server passes all system tests, suspect a network cabling problem that is external to the server.

Resolving suspected power problems

Power problems can be difficult to solve. For example, a short circuit can exist anywhere on any of the power distribution buses. Usually, a short circuit will cause the power subsystem to shut down because of an overcurrent condition.

Complete the following steps to diagnose and resolve a suspected power problem.

Step 1. Check the event log and resolve any errors related to the power.

Note: Start with the event log of the application that is managing the server. For more information about event logs, see “Event logs” on page 155.

Step 2. Check for short circuits, for example, if a loose screw is causing a short circuit on a circuit board.

Step 3. Remove the adapters and disconnect the cables and power cords to all internal and external devices until the server is at the minimum configuration that is required for the server to start. See “Specifications” on page 3 to determine the minimum configuration for your server.

Step 4. Reconnect all ac power cords and turn on the server. If the server starts successfully, reseal the adapters and devices one at a time until the problem is isolated.

If the server does not start from the minimum configuration, replace the components in the minimum configuration one at a time until the problem is isolated.

Resolving suspected Ethernet controller problems

The method that you use to test the Ethernet controller depends on which operating system you are using. See the operating-system documentation for information about Ethernet controllers, and see the Ethernet controller device-driver readme file.

Complete the following steps to attempt to resolve suspected problems with the Ethernet controller.

- Step 1. Make sure that the correct device drivers, which come with the server are installed and that they are at the latest level.
- Step 2. Make sure that the Ethernet cable is installed correctly.
 - The cable must be securely attached at all connections. If the cable is attached but the problem remains, try a different cable.
 - If you set the Ethernet controller to operate at 100 Mbps or 1000 Mbps, you must use Category 5 cabling.
- Step 3. Determine whether the hub supports auto-negotiation. If it does not, try configuring the integrated Ethernet controller manually to match the speed and duplex mode of the hub.
- Step 4. Check the Ethernet controller LEDs on the rear panel of the server. These LEDs indicate whether there is a problem with the connector, cable, or hub.
 - The Ethernet link status LED is lit when the Ethernet controller receives a link pulse from the hub. If the LED is off, there might be a defective connector or cable or a problem with the hub.
 - The Ethernet transmit/receive activity LED is lit when the Ethernet controller sends or receives data over the Ethernet network. If the Ethernet transmit/receive activity is off, make sure that the hub and network are operating and that the correct device drivers are installed.
- Step 5. Check the Network activity LED on the rear of the server. The Network activity LED is lit when data is active on the Ethernet network. If the Network activity LED is off, make sure that the hub and network are operating and that the correct device drivers are installed.
- Step 6. Check for operating-system-specific causes of the problem, and also make sure that the operating system drivers are installed correctly.
- Step 7. Make sure that the device drivers on the client and server are using the same protocol.

If the Ethernet controller still cannot connect to the network but the hardware appears to be working, the network administrator must investigate other possible causes of the error.

Troubleshooting by symptom

Follow this procedure to find solutions to problems that have identifiable symptoms.

To use the symptom-based troubleshooting information in this section, complete the following steps:

1. Check the event log of the application that is managing the server and follow the suggested actions to resolve any event codes.
 - If you are managing the server from the Lenovo XClarity Administrator, begin with the Lenovo XClarity Administrator event log.
 - If you are using some other management application, begin with the Lenovo XClarity Controller event log.

For more information about event logs, see “Event logs” on page 155.

2. Review this section to find the symptoms that you are experiencing and follow the suggested actions to resolve the issue.
3. If the problem persists, contact support (see “Contacting Support” on page 175).

Power on and power off problems

Follow this procedure to resolve issues when powering on or powering off the server.

- “Embedded hypervisor is not in the boot list” on page 159
- “The power button does not work (server does not start)” on page 159
- “Server does not power on” on page 160
- “Server does not power off” on page 160

Embedded hypervisor is not in the boot list

Complete the following steps until the problem is solved.

1. If the server has been installed, moved, or serviced recently, or if this is the first time the embedded hypervisor is being used, make sure that the device is connected properly and that there is no physical damage to the connectors.
2. See the documentation that comes with the optional embedded hypervisor flash device for setup and configuration information.
3. Check <https://static.lenovo.com/us/en/serverproven/index.shtml> to validate that the embedded hypervisor device is supported for the server.
4. Make sure that the embedded hypervisor device is listed in the list of available boot options. From the management controller user interface, click **Server Configuration → Boot Options**.

For information about accessing the management controller user interface, see the XClarity Controller product documentation:

http://sysmgmt.lenovofiles.com/help/topic/com.lenovo.systems.management.xcc.doc/dw1lm_c_chapter2_openingandusing.html

5. Check <http://datacentersupport.lenovo.com> for any tech tips (service bulletins) related to the embedded hypervisor and the server.
6. Make sure that other software works on the server to ensure that it is working properly.

The power button does not work (server does not start)

Note: The power button will not function until approximately 1 to 3 minutes after the server has been connected to ac power.

Complete the following steps until the problem is resolved:

1. Make sure that the power button on the server is working correctly:
 - a. Disconnect the server power cords.
 - b. Reconnect the server power cords.
 - c. Reseat the operator information panel cable, and then repeat steps a and b.
 - If the server starts, reseat the operator information panel.
 - If the problem remains, replace the operator information panel.
2. Make sure that:
 - The power cords are correctly connected to the server and to a working electrical outlet.
 - The LEDs on the power supply do not indicate a problem.
3. Reseat the power supplies.
4. Replace each power supply, restarting the server each time:
 - DIMMs

- Power supplies
5. If you just installed an optional device, remove it, and restart the server. If the server starts, you might have installed more devices than the power supply supports.

Server does not power on

Complete the following steps until the problem is resolved:

1. Check the event log for any events related to the server not powering on.
2. Check for any LEDs that are flashing amber.
3. Check the power LED on the system board.
4. Reseat the power supply.
5. Replace the power supply.

Server does not power off

Complete the following steps until the problem is resolved:

1. Determine whether you are using an Advanced Configuration and Power Interface (ACPI) or a non-ACPI operating system. If you are using a non-ACPI operating system, complete the following steps:
 - a. Press Ctrl+Alt+Delete.
 - b. Turn off the server by pressing the power button and holding it down for 5 seconds.
 - c. Restart the server.
 - d. If the server fails POST and the power button does not work, disconnect the power cord for 20 seconds; then, reconnect the power cord and restart the server.
2. If the problem remains or if you are using an ACPI-aware operating system, suspect the system board.

Memory problems

Follow this procedure to resolve issues related to memory.

- “Displayed system memory less than installed physical memory” on page 160
- “Multiple rows of DIMMs in a branch identified as failing” on page 161

Displayed system memory less than installed physical memory

Complete the following steps until the problem is resolved:

Note: Each time you install or remove a DIMM, you must disconnect the server from the power source; then, wait 10 seconds before restarting the server.

1. Make sure that:
 - No error LEDs are lit on the operator information panel.
 - No DIMM error LEDs are lit on the system board.
 - Memory mirrored channel does not account for the discrepancy.
 - The memory modules are seated correctly.
 - You have installed the correct type of memory.
 - If you changed the memory, you updated the memory configuration in the Setup utility.
 - All banks of memory are enabled. The server might have automatically disabled a memory bank when it detected a problem, or a memory bank might have been manually disabled.
 - There is no memory mismatch when the server is at the minimum memory configuration.
2. Reseat the DIMMs, and then restart the server.

3. Run memory diagnostics. When you start a server and press F1, the Lenovo XClarity Provisioning Manager interface is displayed by default. You can perform memory diagnostics from this interface. From the Diagnostic page, click **Run Diagnostic → Memory test**.
4. Check the POST error log:
 - If a DIMM was disabled by a systems-management interrupt (SMI), replace the DIMM.
 - If a DIMM was disabled by the user or by POST, reseat the DIMM; then, run the Setup utility and enable the DIMM.
5. Reseat the DIMM.
6. Restart the server.

Multiple rows of DIMMs in a branch identified as failing

1. Reseat the DIMMs; then, restart the server.
2. Remove the lowest-numbered DIMM pair of those that are identified and replace it with an identical known good DIMM; then, restart the server. Repeat as necessary. If the failures continue after all identified DIMMs are replaced, go to step 4.
3. Return the removed DIMMs, one at a time, to their original connectors, restarting the server after each DIMM, until a DIMM fails. Replace each failing DIMM with an identical known good DIMM, restarting the server after each DIMM replacement. Repeat step 3 until you have tested all removed DIMMs.
4. Replace the lowest-numbered DIMM of those identified; then, restart the server. Repeat as necessary.
5. Reverse the DIMMs between the channels (of the same processor), and then restart the server. If the problem is related to a DIMM, replace the failing DIMM.
6. (Trained technician only) Replace the system board.

Hard disk drive problems

Follow this procedure to resolve issues related to the hard disk drives.

- “Server cannot recognize a hard drive” on page 161
- “Multiple hard drives fail” on page 162
- “Multiple hard drives are offline” on page 162
- “A replacement hard disk drive does not rebuild” on page 162
- “Green hard disk drive activity LED does not represent actual state of associated drive” on page 163
- “Yellow hard disk drive status LED does not represent actual state of associated drive” on page 163

Server cannot recognize a hard drive

Complete the following steps until the problem is solved.

1. Observe the associated yellow hard disk drive status LED. If the LED is lit, it indicates a drive fault.
2. If the LED is lit, remove the drive from the bay, wait 45 seconds, and reinsert the drive, making sure that the drive assembly connects to the hard disk drive backplane.
3. Observe the associated green hard disk drive activity LED and the yellow status LED:
 - If the green activity LED is flashing and the yellow status LED is not lit, the drive is recognized by the controller and is working correctly. Run the diagnostics tests for the hard disk drives. When you start a server and press F1, the Lenovo XClarity Provisioning Manager interface is displayed by default. You can perform hard drive diagnostics from this interface. From the Diagnostic page, click **Run Diagnostic → HDD test**.
 - If the green activity LED is flashing and the yellow status LED is flashing slowly, the drive is recognized by the controller and is rebuilding.

- If neither LED is lit or flashing, check the hard disk drive backplane.
 - If the green activity LED is flashing and the yellow status LED is lit, replace the drive. If the activity of the LEDs remains the same, go to step Hard disk drive problems. If the activity of the LEDs changes, return to step 1.
4. Make sure that the hard disk drive backplane is correctly seated. When it is correctly seated, the drive assemblies correctly connect to the backplane without bowing or causing movement of the backplane.
 5. Reseat the backplane power cable and repeat steps 1 through 3.
 6. Reseat the backplane signal cable and repeat steps 1 through 3.
 7. Suspect the backplane signal cable or the backplane:
 - Replace the affected backplane signal cable.
 - Replace the affected backplane.
 8. Run the diagnostics tests for the hard disk drives. When you start a server and press F1, the Lenovo XClarity Provisioning Manager interface is displayed by default. You can perform hard drive diagnostics from this interface. From the Diagnostic page, click **Run Diagnostic → HDD test**.

Based on those tests:

- If the adapter passes the test but the drives are not recognized, replace the backplane signal cable and run the tests again.
- Replace the backplane.
- If the adapter fails the test, disconnect the backplane signal cable from the adapter and run the tests again.
- If the adapter fails the test, replace the adapter.

Multiple hard drives fail

Complete the following steps until the problem is solved:

- View the Lenovo XClarity Controller event log for events related to power supplies or vibration issues and resolve those events.
- Make sure that the device drivers and firmware for the hard disk drive and server are at the latest level

Important: Some cluster solutions require specific code levels or coordinated code updates. If the device is part of a cluster solution, verify that the latest level of code is supported for the cluster solution before you update the code.

Multiple hard drives are offline

Complete the following steps until the problem is solved:

- View the Lenovo XClarity Controller event log for events related to power supplies or vibration issues and resolve those events.
- View the storage subsystem log for events related to the storage subsystem and resolve those events.

A replacement hard disk drive does not rebuild

Complete the following steps until the problem is solved:

1. Make sure that the hard disk drive is recognized by the adapter (the green hard disk drive activity LED is flashing).
2. Review the SAS/SATA RAID adapter documentation to determine the correct configuration parameters and settings.

Green hard disk drive activity LED does not represent actual state of associated drive

Complete the following steps until the problem is solved:

1. If the green hard disk drive activity LED does not flash when the drive is in use, run the diagnostics tests for the hard disk drives. When you start a server and press F1, the Lenovo XClarity Provisioning Manager interface is displayed by default. You can perform hard drive diagnostics from this interface. From the Diagnostic page, click **Run Diagnostic → HDD test**.
2. If the drive passes the test, replace the backplane.
3. If the drive fails the test, replace the drive.

Yellow hard disk drive status LED does not represent actual state of associated drive

Complete the following steps until the problem is solved:

1. Turn off the server.
2. Reseat the SAS/SATA adapter.
3. Reseat the backplane signal cable and backplane power cable.
4. Reseat the hard disk drive.
5. Power on the server and observe the activity of the hard disk drive LEDs.

Monitor and video problems

Follow this procedure to solve problems related to a monitor or video.

- “Incorrect characters are displayed” on page 163
- “Screen is blank” on page 163
- “Screen goes blank when you start some application programs” on page 164
- “The monitor has screen jitter, or the screen image is wavy, unreadable, rolling, or distorted.” on page 164
- “The wrong characters appear on the screen” on page 164
- “Management controller remote presence cannot work” on page 164

Incorrect characters are displayed

Complete the following steps:

1. Verify that the language and locality settings are correct for the keyboard and operating system.
2. If the wrong language is displayed, update the server firmware to the latest level. See “Firmware updates” on page 9.

Screen is blank

1. If the server is attached to a KVM switch, bypass the KVM switch to eliminate it as a possible cause of the problem: connect the monitor cable directly to the correct connector on the rear of the server.
2. If the server installed with the graphical adapters while turning on the server, the Lenovo logo displays on the screen after approximately 3 minutes. This is normal operation while the system loads.
3. Make sure that:
 - The server is turned on. If there is no power to the server.
 - The monitor cables are connected correctly.
 - The monitor is turned on and the brightness and contrast controls are adjusted correctly.
4. Make sure that the correct server is controlling the monitor, if applicable.
5. Make sure that corrupted server firmware is not affecting the video; see “Firmware updates” on page 9.
6. Observe the LEDs on the system board; if the codes are changing, go to step 6.

7. Replace the following components one at a time, in the order shown, restarting the server each time:
 - a. Monitor
 - b. Video adapter (if one is installed)
 - c. (Trained technician only) System board

Screen goes blank when you start some application programs

1. Make sure that:
 - The application program is not setting a display mode that is higher than the capability of the monitor.
 - You installed the necessary device drivers for the application.

The monitor has screen jitter, or the screen image is wavy, unreadable, rolling, or distorted.

1. If the monitor self-tests show that the monitor is working correctly, consider the location of the monitor. Magnetic fields around other devices (such as transformers, appliances, fluorescents, and other monitors) can cause screen jitter or wavy, unreadable, rolling, or distorted screen images. If this happens, turn off the monitor.

Attention: Moving a color monitor while it is turned on might cause screen discoloration.

Move the device and the monitor at least 305 mm (12 in.) apart, and turn on the monitor.

Notes:

- a. To prevent diskette drive read/write errors, make sure that the distance between the monitor and any external diskette drive is at least 76 mm (3 in.).
 - b. Non-Lenovo monitor cables might cause unpredictable problems.
2. Reseat the monitor cable.
 3. Replace the components listed in step 2 one at a time, in the order shown, restarting the server each time:
 - a. Monitor cable
 - b. Video adapter (if one is installed)
 - c. Monitor
 - d. (Trained technician only) System board

The wrong characters appear on the screen

Complete the following steps until the problem is solved:

1. Verify that the language and locality settings are correct for the keyboard and operating system.
2. If the wrong language is displayed, update the server firmware to the latest level. See “Firmware updates” on page 9.

Management controller remote presence cannot work

The management controller remote presence function is unable to display the system screen when an optional video adapter is present. To use the management controller remote presence function, remove the optional video adapter or use the onboard VGA as the display device.

Keyboard, mouse, or USB-device problems

Follow this procedure to solve problems related to a keyboard, mouse, or USB device.

- “All or some keys on the keyboard do not work.” on page 165
- “Mouse does not work.” on page 165

- “USB-device does not work.” on page 165

All or some keys on the keyboard do not work.

1. Make sure that:
 - The keyboard cable is securely connected.
 - The server and the monitor are turned on.
2. If you are using a USB keyboard, run the Setup utility and enable keyboardless operation.
3. If you are using a USB keyboard and it is connected to a USB hub, disconnect the keyboard from the hub and connect it directly to the server.
4. Replace the keyboard.

Mouse does not work.

1. Make sure that:
 - The mouse cable is securely connected to the server.
 - The mouse device drivers are installed correctly.
 - The server and the monitor are turned on.
 - The mouse option is enabled in the Setup utility.
2. If you are using a USB mouse and it is connected to a USB hub, disconnect the mouse from the hub and connect it directly to the server.
3. Replace the mouse.

USB-device does not work.

1. Make sure that:
 - The correct USB device driver is installed.
 - The operating system supports USB devices.
2. Make sure that the USB configuration options are set correctly in system setup.

Restart the server and press F1 to display the Lenovo XClarity Provisioning Manager system setup interface. Then, click **System Settings → Devices and I/O Ports → USB Configuration**.

3. If you are using a USB hub, disconnect the USB device from the hub and connect it directly to the server.

Optional-device problems

Follow this procedure to solve problems related to optional devices.

- “External USB device not recognized” on page 165
- “PCIe adapter is not recognized or is not functioning” on page 166
- “A Lenovo optional device that worked previously does not work now. ” on page 166
- “A Lenovo optional device that was just installed does not work.” on page 166
- “A Lenovo optional device that worked previously does not work now. ” on page 166

External USB device not recognized

Complete the following steps until the problem is resolved:

1. Make sure that the proper drivers are installed on the compute node. See the product documentation for the USB device for information about device drivers.
2. Use the Setup utility to make sure that the device is configured correctly.

3. If the USB device is plugged into a hub or the console breakout cable, unplug the device and plug it directly into the USB port on the front of the compute node.

PCIe adapter is not recognized or is not functioning

Complete the following steps until the problem is resolved:

1. Check the event log and resolve any issues related to the device.
2. Validate that the device is supported for the server (see <https://static.lenovo.com/us/en/serverproven/index.shtml>).
3. Make sure that the adapter is installed in a correct slot.
4. Make sure that the proper device drivers are installed for the device.
5. Resolve any resource conflicts if running legacy mode (UEFI).
6. Check <http://datacentersupport.lenovo.com> for any tech tips (also known as retain tips or service bulletins) that might be related to the adapter.
7. Ensure any adapter external connections are correct and that the connectors are not physically damaged.

Insufficient PCIe resources are detected.

If you see an error message stating “Insufficient PCI Resources Detected,” complete the following steps until the problem is resolved:

1. Remove one of the PCIe adapters.
2. Restart the system and press F1 to display the Lenovo XClarity Provisioning Manager system setup interface.
3. Click **UEFI Setup → System Settings → Devices and I/O Ports → MM Config Base**; then, modify the setting to the lower memory capacity. For example, modify 3 GB to 2 GB or modify 2 GB to 1 GB.
4. Save the settings and restart the system.
5. The action for this step will differ based on whether or not the reboot is successful.
 - If the reboot is successful, shut down the solution and reinstall the PCIe card you removed.
 - If the reboot failed, repeat step 2 to step 5.

A Lenovo optional device that was just installed does not work.

1. Make sure that:
 - The device is supported for the server (see <https://static.lenovo.com/us/en/serverproven/index.shtml>).
 - You followed the installation instructions that came with the device and the device is installed correctly.
 - You have not loosened any other installed devices or cables.
 - You updated the configuration information in system setup. When you start a server and press F1 to display the system setup interface. Whenever memory or any other device is changed, you must update the configuration.
2. Reseat the device that you just installed.
3. Replace the device that you just installed.

A Lenovo optional device that worked previously does not work now.

1. Make sure that all of the cable connections for the device are secure.
2. If the device comes with test instructions, use those instructions to test the device.
3. If the failing device is a SCSI device, make sure that:
 - The cables for all external SCSI devices are connected correctly.
 - The last device in each SCSI chain, or the end of the SCSI cable, is terminated correctly.

- Any external SCSI device is turned on. You must turn on an external SCSI device before you turn on the server.
4. Reseat the failing device.
 5. Replace the failing device.

Serial-device problems

Follow this procedure to solve problems with serial ports or devices.

- “Number of displayed serial ports is less than the number of installed serial ports” on page 167
- “Serial device does not work” on page 167

Number of displayed serial ports is less than the number of installed serial ports

Complete the following steps until the problem is solved.

1. Make sure that:
 - Each port is assigned a unique address in the Setup utility and none of the serial ports is disabled.
 - The serial-port adapter (if one is present) is seated correctly.
2. Reseat the serial port adapter.
3. Replace the serial port adapter.

Serial device does not work

1. Make sure that:
 - The device is compatible with the server.
 - The serial port is enabled and is assigned a unique address.
 - The device is connected to the correct connector.
2. Reseat the following components:
 - a. Failing serial device.
 - b. Serial cable.
3. Replace the following components:
 - a. Failing serial device.
 - b. Serial cable.
4. (Trained technician only) Replace the system board.

Intermittent problems

Follow this procedure to solve intermittent problems.

- “Intermittent external device problems” on page 167
- “Intermittent KVM problems” on page 168
- “Intermittent unexpected reboots” on page 168

Intermittent external device problems

Complete the following steps until the problem is solved.

1. Make sure that the correct device drivers are installed. See the manufacturer's website for documentation.
2. For a USB device:

- a. Make sure that the device is configured correctly.

Restart the server and press F1 to display the Lenovo XClarity Provisioning Manager system setup interface. Then, click **System Settings → Devices and I/O Ports → USB Configuration**.

- b. Connect the device to another port. If using a USB hub, remove the hub and connect the device directly to the compute node. Make sure that the device is configured correctly for the port.

Intermittent KVM problems

Complete the following steps until the problem is solved.

Video problems:

1. Make sure that all cables and the console breakout cable are properly connected and secure.
2. Make sure that the monitor is working properly by testing it on another compute node.
3. Test the console breakout cable on a working compute node to ensure that it is operating properly. Replace the console breakout cable if it is defective.

Keyboard problems:

Make sure that all cables and the console breakout cable are properly connected and secure.

Mouse problems:

Make sure that all cables and the console breakout cable are properly connected and secure.

Intermittent unexpected reboots

Note: Some correctable errors require that the server reboot so that it can disable a device, such as a memory DIMM or a processor to allow the machine to boot up properly.

1. If the reset occurs during POST and the POST watchdog timer is enabled, make sure that sufficient time is allowed in the watchdog timeout value (POST Watchdog Timer).

To check the POST watchdog time, restart the server and press F1 to display the Lenovo XClarity Provisioning Manager system setup interface. Then, click **BMC Settings → POST Watchdog Timer**.

2. If the reset occurs after the operating system starts, disable any automatic server restart (ASR) utilities, such as the Automatic Server Restart IPMI Application for Windows, or any ASR devices that are installed.
3. See the management controller event log to check for an event code that indicates a reboot. See “Event logs” on page 155 for information about viewing the event log.

Power problems

Follow this procedure to resolve issues related to power.

System error LED is on and event log "Power supply has lost input" is displayed

To resolve the problem, ensure that:

1. The power supply is properly connected to a power cord.
2. The power cord is connected to a properly grounded electrical outlet for the server.

Network problems

Follow this procedure to resolve issues related to networking.

- “Cannot wake server using Wake on LAN” on page 169

- “Could not log in using LDAP account with SSL enabled” on page 169

Cannot wake server using Wake on LAN

Complete the following steps until the problem is resolved:

1. If you are using the dual-port network adapter and the server is connected to the network using Ethernet 5 connector, check the system-error log or IMM2 system event log (see “Event logs” on page 155), make sure:
 - a. Fan 3 is running in standby mode, if Emulex dual port 10GBase-T embedded adapter is installed.
 - b. The room temperature is not too high (see “Specifications” on page 3).
 - c. The air vents are not blocked.
 - d. The air baffle is installed securely.
2. Reseat the dual-port network adapter.
3. Turn off the server and disconnect it from the power source; then, wait 10 seconds before restarting the server.
4. If the problem still remains, replace the dual-port network adapter.

Could not log in using LDAP account with SSL enabled

Complete the following steps until the problem is resolved:

1. Make sure that the license key is valid.
2. Generate a new license key and log in again.

Observable problems

Follow this procedure to solve observable problems.

- “The server immediately displays the POST Event Viewer when it is turned on” on page 169
- “Server is unresponsive (POST is complete and operating system is running)” on page 170
- “Server is unresponsive (cannot press F1 to start System Setup)” on page 170
- “Voltage planar fault is displayed in the event log” on page 170
- “Unusual smell” on page 171
- “Server seems to be running hot” on page 171
- “Cracked parts or cracked chassis” on page 171

The server immediately displays the POST Event Viewer when it is turned on

Complete the following steps until the problem is solved.

1. Correct any errors that are indicated by the light path diagnostics LEDs.
2. Make sure that the server supports all the processors and that the processors match in speed and cache size.

You can view processor details from system setup.

To determine if the processor is supported for the server, see <https://static.lenovo.com/us/en/serverproven/index.shtml>.

3. (Trained technician only) Make sure that processor 1 is seated correctly.
4. (Trained technician only) Remove processor 2 and restart the server.
5. Replace the following components one at a time, in the order shown, restarting the server each time:
 - a. (Trained technician only) Processor

- b. (Trained technician only) System board

Server is unresponsive (POST is complete and operating system is running)

Complete the following steps until the problem is solved.

- If you are in the same location as the compute node, complete the following steps:
 1. If you are using a KVM connection, make sure that the connection is operating correctly. Otherwise, make sure that the keyboard and mouse are operating correctly.
 2. If possible, log in to the compute node and verify that all applications are running (no applications are hung).
 3. Restart the compute node.
 4. If the problem remains, make sure that any new software has been installed and configured correctly.
 5. Contact your place of purchase of the software or your software provider.
- If you are accessing the compute node from a remote location, complete the following steps:
 1. Make sure that all applications are running (no applications are hung).
 2. Attempt to log out of the system and log back in.
 3. Validate the network access by pinging or running a trace route to the compute node from a command line.
 - a. If you are unable to get a response during a ping test, attempt to ping another compute node in the enclosure to determine whether it is a connection problem or compute node problem.
 - b. Run a trace route to determine where the connection breaks down. Attempt to resolve a connection issue with either the VPN or the point at which the connection breaks down.
 4. Restart the compute node remotely through the management interface.
 5. If the problem remains, verify that any new software has been installed and configured correctly.
 6. Contact your place of purchase of the software or your software provider.

Server is unresponsive (cannot press F1 to start System Setup)

Configuration changes, such as added devices or adapter firmware updates, and firmware or application code problems can cause the server to fail POST (the power-on self-test).

If this occurs, the server responds in either of the following ways:

- The server restarts automatically and attempts POST again.
- The server hangs, and you must manually restart the server for the server to attempt POST again.

After a specified number of consecutive attempts (automatic or manual), the server reverts to the default UEFI configuration and starts System Setup so that you can make the necessary corrections to the configuration and restart the server. If the server is unable to successfully complete POST with the default configuration, there might be a problem with the system board.

You can specify the number of consecutive restart attempts in System Setup. Restart the server and press F1 to display the Lenovo XClarity Provisioning Manager system setup interface. Then, click **System Settings** → **Recovery and RAS** → **POST Attempts** → **POST Attempts Limit**. Available options are 3, 6, 9, and disable.

Voltage planar fault is displayed in the event log

Complete the following steps until the problem is solved.

1. Revert the system to the minimum configuration. See “Specifications” on page 3 for the minimally required number of processors and DIMMs.

2. Restart the system.

- If the system restarts, add each of the items that you removed one at a time, restarting the system each time, until the error occurs. Replace the item for which the error occurs.
- If the system does not restart, suspect the system board.

Unusual smell

Complete the following steps until the problem is solved.

1. An unusual smell might be coming from newly installed equipment.
2. If the problem remains, contact Lenovo Support.

Server seems to be running hot

Complete the following steps until the problem is solved.

Multiple compute nodes or chassis:

1. Make sure that the room temperature is within the specified range (see “Specifications” on page 3).
2. Check the management processor event log for rising temperature events. If there are no events, the compute node is running within normal operating temperatures. Note that you can expect some variation in temperature.

Cracked parts or cracked chassis

Contact Lenovo Support.

Software problems

Follow this procedure to solve software problems.

1. To determine whether the problem is caused by the software, make sure that:
 - The server has the minimum memory that is needed to use the software. For memory requirements, see the information that comes with the software.

Note: If you have just installed an adapter or memory, the server might have a memory-address conflict.

 - The software is designed to operate on the server.
 - Other software works on the server.
 - The software works on another server.
2. If you receive any error messages while you use the software, see the information that comes with the software for a description of the messages and suggested solutions to the problem.
3. Contact your place of purchase of the software.

Appendix A. Getting help and technical assistance

If you need help, service, or technical assistance or just want more information about Lenovo products, you will find a wide variety of sources available from Lenovo to assist you.

On the World Wide Web, up-to-date information about Lenovo systems, optional devices, services, and support are available at:

<http://datacentersupport.lenovo.com>

Note: IBM is Lenovo's preferred service provider for ThinkSystem.

Before you call

Before you call, there are several steps that you can take to try and solve the problem yourself. If you decide that you do need to call for assistance, gather the information that will be needed by the service technician to more quickly resolve your problem.

Attempt to resolve the problem yourself

You can solve many problems without outside assistance by following the troubleshooting procedures that Lenovo provides in the online help or in the Lenovo product documentation. The Lenovo product documentation also describes the diagnostic tests that you can perform. The documentation for most systems, operating systems, and programs contains troubleshooting procedures and explanations of error messages and error codes. If you suspect a software problem, see the documentation for the operating system or program.

You can find the product documentation for your ThinkSystem products at the following location:

<http://thinksystem.lenovofiles.com/help/index.jsp>

You can take these steps to try to solve the problem yourself:

- Check all cables to make sure that they are connected.
- Check the power switches to make sure that the system and any optional devices are turned on.
- Check for updated software, firmware, and operating-system device drivers for your Lenovo product. The Lenovo Warranty terms and conditions state that you, the owner of the Lenovo product, are responsible for maintaining and updating all software and firmware for the product (unless it is covered by an additional maintenance contract). Your service technician will request that you upgrade your software and firmware if the problem has a documented solution within a software upgrade.
- If you have installed new hardware or software in your environment, check <https://static.lenovo.com/us/en/serverproven/index.shtml> to make sure that the hardware and software is supported by your product.
- Go to <http://datacentersupport.lenovo.com> and check for information to help you solve the problem.
 - Check the Lenovo forums at https://forums.lenovo.com/t5/Datacenter-Systems/ct-p/sv_eq to see if someone else has encountered a similar problem.

You can solve many problems without outside assistance by following the troubleshooting procedures that Lenovo provides in the online help or in the Lenovo product documentation. The Lenovo product documentation also describes the diagnostic tests that you can perform. The documentation for most systems, operating systems, and programs contains troubleshooting procedures and explanations of error messages and error codes. If you suspect a software problem, see the documentation for the operating system or program.

Gathering information needed to call Support

If you believe that you require warranty service for your Lenovo product, the service technicians will be able to assist you more efficiently if you prepare before you call. You can also see <http://datacentersupport.lenovo.com/warrantylookup> for more information about your product warranty.

Gather the following information to provide to the service technician. This data will help the service technician quickly provide a solution to your problem and ensure that you receive the level of service for which you might have contracted.

- Hardware and Software Maintenance agreement contract numbers, if applicable
- Machine type number (Lenovo 4-digit machine identifier)
- Model number
- Serial number
- Current system UEFI and firmware levels
- Other pertinent information such as error messages and logs

As an alternative to calling Lenovo Support, you can go to <https://support.lenovo.com/servicerequest> to submit an Electronic Service Request. Submitting an Electronic Service Request will start the process of determining a solution to your problem by making the pertinent information available to the service technicians. The Lenovo service technicians can start working on your solution as soon as you have completed and submitted an Electronic Service Request.

Collecting service data

To clearly identify the root cause of a server issue or at the request of Lenovo Support, you might need collect service data that can be used for further analysis. Service data includes information such as event logs and hardware inventory.

Service data can be collected through the following tools:

- **Lenovo XClarity Provisioning Manager**

Use the Collect Service Data function of Lenovo XClarity Provisioning Manager to collect system service data. You can collect existing system log data or run a new diagnostic to collect new data.

- **Lenovo XClarity Controller**

You can use the Lenovo XClarity Controller web interface or the CLI to collect service data for the server. The file can be saved and sent to Lenovo Support.

- For more information about using the web interface to collect service data, see http://sysmgt.lenovofiles.com/help/topic/com.lenovo.systems.management.xcc.doc/NN1ia_c_servicesandsupport.html.
- For more information about using the CLI to collect service data, see http://sysmgt.lenovofiles.com/help/topic/com.lenovo.systems.management.xcc.doc/nn1ia_r_ffdcommand.html.

- **Lenovo XClarity Administrator**

Lenovo XClarity Administrator can be set up to collect and send diagnostic files automatically to Lenovo Support when certain serviceable events occur in Lenovo XClarity Administrator and the managed endpoints. You can choose to send diagnostic files to Lenovo Support using Call Home or to another service provider using SFTP. You can also manually collect diagnostic files, open a problem record, and send diagnostic files to the Lenovo Support Center.

You can find more information about setting up automatic problem notification within the Lenovo XClarity Administrator at http://sysmgt.lenovofiles.com/help/topic/com.lenovo.lxca.doc/admin_setupcallhome.html.

- **Lenovo XClarity Essentials OneCLI**

Lenovo XClarity Essentials OneCLI has inventory application to collect service data. It can run both in-band and out-of-band. When running in-band within the host operating system on the server, OneCLI can collect information about the operating system, such as the operating system event log, in addition to the hardware service data.

To obtain service data, you can run the **getinfor** command. For more information about running the **getinfor**, see http://sysmgt.lenovofiles.com/help/topic/toolstr_cli_lenovo/onecli_r_getinfor_command.html.

Contacting Support

You can contact Support to obtain help for your issue.

You can receive hardware service through a Lenovo Authorized Service Provider. To locate a service provider authorized by Lenovo to provide warranty service, go to <https://datacentersupport.lenovo.com/serviceprovider> and use filter searching for different countries. For Lenovo support telephone numbers, see <https://datacentersupport.lenovo.com/supportphonenumberlist> for your region support details.

Appendix B. Notices

Lenovo may not offer the products, services, or features discussed in this document in all countries. Consult your local Lenovo representative for information on the products and services currently available in your area.

Any reference to a Lenovo product, program, or service is not intended to state or imply that only that Lenovo product, program, or service may be used. Any functionally equivalent product, program, or service that does not infringe any Lenovo intellectual property right may be used instead. However, it is the user's responsibility to evaluate and verify the operation of any other product, program, or service.

Lenovo may have patents or pending patent applications covering subject matter described in this document. The furnishing of this document is not an offer and does not provide a license under any patents or patent applications. You can send inquiries in writing to the following:

*Lenovo (United States), Inc.
8001 Development Drive
Morrisville, NC 27560
U.S.A.
Attention: Lenovo Director of Licensing*

LENOVO PROVIDES THIS PUBLICATION "AS IS" WITHOUT WARRANTY OF ANY KIND, EITHER EXPRESS OR IMPLIED, INCLUDING, BUT NOT LIMITED TO, THE IMPLIED WARRANTIES OF NON-INFRINGEMENT, MERCHANTABILITY OR FITNESS FOR A PARTICULAR PURPOSE. Some jurisdictions do not allow disclaimer of express or implied warranties in certain transactions, therefore, this statement may not apply to you.

This information could include technical inaccuracies or typographical errors. Changes are periodically made to the information herein; these changes will be incorporated in new editions of the publication. Lenovo may make improvements and/or changes in the product(s) and/or the program(s) described in this publication at any time without notice.

The products described in this document are not intended for use in implantation or other life support applications where malfunction may result in injury or death to persons. The information contained in this document does not affect or change Lenovo product specifications or warranties. Nothing in this document shall operate as an express or implied license or indemnity under the intellectual property rights of Lenovo or third parties. All information contained in this document was obtained in specific environments and is presented as an illustration. The result obtained in other operating environments may vary.

Lenovo may use or distribute any of the information you supply in any way it believes appropriate without incurring any obligation to you.

Any references in this publication to non-Lenovo Web sites are provided for convenience only and do not in any manner serve as an endorsement of those Web sites. The materials at those Web sites are not part of the materials for this Lenovo product, and use of those Web sites is at your own risk.

Any performance data contained herein was determined in a controlled environment. Therefore, the result obtained in other operating environments may vary significantly. Some measurements may have been made on development-level systems and there is no guarantee that these measurements will be the same on generally available systems. Furthermore, some measurements may have been estimated through extrapolation. Actual results may vary. Users of this document should verify the applicable data for their specific environment.

Trademarks

LENOVO, THINKSYSTEM, Flex System, System x, NeXtScale System, and x Architecture are trademarks of Lenovo.

Intel and Intel Xeon are trademarks of Intel Corporation in the United States, other countries, or both.

Internet Explorer, Microsoft, and Windows are trademarks of the Microsoft group of companies.

Linux is a registered trademark of Linus Torvalds.

All other trademarks are the property of their respective owners.

Important notes

Processor speed indicates the internal clock speed of the microprocessor; other factors also affect application performance.

CD or DVD drive speed is the variable read rate. Actual speeds vary and are often less than the possible maximum.

When referring to processor storage, real and virtual storage, or channel volume, KB stands for 1 024 bytes, MB stands for 1 048 576 bytes, and GB stands for 1 073 741 824 bytes.

When referring to hard disk drive capacity or communications volume, MB stands for 1 000 000 bytes, and GB stands for 1 000 000 000 bytes. Total user-accessible capacity can vary depending on operating environments.

Maximum internal hard disk drive capacities assume the replacement of any standard hard disk drives and population of all hard-disk-drive bays with the largest currently supported drives that are available from Lenovo.

Maximum memory might require replacement of the standard memory with an optional memory module.

Each solid-state memory cell has an intrinsic, finite number of write cycles that the cell can incur. Therefore, a solid-state device has a maximum number of write cycles that it can be subjected to, expressed as total bytes written (TBW). A device that has exceeded this limit might fail to respond to system-generated commands or might be incapable of being written to. Lenovo is not responsible for replacement of a device that has exceeded its maximum guaranteed number of program/erase cycles, as documented in the Official Published Specifications for the device.

Lenovo makes no representations or warranties with respect to non-Lenovo products. Support (if any) for the non-Lenovo products is provided by the third party, not Lenovo.

Some software might differ from its retail version (if available) and might not include user manuals or all program functionality.

Telecommunication regulatory statement

This product may not be certified in your country for connection by any means whatsoever to interfaces of public telecommunications networks. Further certification may be required by law prior to making any such connection. Contact a Lenovo representative or reseller for any questions.

Electronic emission notices

When you attach a monitor to the equipment, you must use the designated monitor cable and any interference suppression devices that are supplied with the monitor.

Additional electronic emissions notices are available at:

<http://thinksystem.lenovofiles.com/help/index.jsp>

Taiwan BSMI RoHS declaration

單元 Unit	限用物質及其化學符號 Restricted substances and its chemical symbols					
	鉛Lead (Pb)	汞Mercury (Hg)	鎘Cadmium (Cd)	六價鉻 Hexavalent chromium (Cr ⁶⁺)	多溴聯苯 Polybrominated biphenyls (PBB)	多溴二苯醚 Polybrominated diphenyl ethers (PBDE)
機架	○	○	○	○	○	○
外部蓋板	○	○	○	○	○	○
機械組零件	-	○	○	○	○	○
空氣傳動設備	-	○	○	○	○	○
冷卻組零件	-	○	○	○	○	○
內存模組	-	○	○	○	○	○
處理器模組	-	○	○	○	○	○
電纜組零件	-	○	○	○	○	○
電源供應器	-	○	○	○	○	○
儲備設備	-	○	○	○	○	○
電路卡	-	○	○	○	○	○
光碟機	-	○	○	○	○	○
<p>備考1. “超出0.1 wt %” 及 “超出0.01 wt %” 係指限用物質之百分比含量超出百分比含量基準值。 Note1: “exceeding 0.1wt%” and “exceeding 0.01 wt%” indicate that the percentage content of the restricted substance exceeds the reference percentage value of presence condition.</p> <p>備考2. “○” 係指該項限用物質之百分比含量未超出百分比含量基準值。 Note2: “○” indicates that the percentage content of the restricted substance does not exceed the percentage of reference value of presence.</p> <p>備考3. “-” 係指該項限用物質為排除項目。 Note3: The “-” indicates that the restricted substance corresponds to the exemption.</p>						

Taiwan import and export contact information

Contacts are available for Taiwan import and export information.

委製商/進口商名稱: 台灣聯想環球科技股份有限公司
進口商地址: 台北市南港區三重路 66 號 8 樓
進口商電話: 0800-000-702

Index

- 2.5-inch SSD from 3.5-inch drive bay
 - replacing 63
- 2.5-inch SSD from a 3.5-inch drive bay
 - removing 63
- 2.5-inch SSD into a 3.5-inch drive bay
 - installing 65

A

- assert
 - physical presence 146

B

- backplane
 - replacing 58

C

- cable routing
 - eight 2.5-inch hot-swap drives 43
 - eight 3.5-inch hot-swap drives and four 2.5-inch hot-swap drives 47
 - eight 3.5-inch hot-swap SAS/SATA drives 42
 - eight 3.5-inch simple-swap drives 40
 - fixed power supply 38
 - four 3.5-inch hot-swap SAS/SATA drives 41
 - four 3.5-inch simple-swap drives 39
 - front panel 32
 - hot-swap-drive backplane 41
 - optical drive 34
 - redundant power supply 36
 - simple-swap-drive backplate 39
 - sixteen 2.5-inch hot-swap drives 44
 - tape drive 35
- CMOS battery
 - install 68
 - remove 66
 - replacing 66
- collecting service data 174
- completing
 - parts replacement 153
- contamination, particulate and gaseous 8
- CR2032 66
- creating a personalized support web page 173
- custom support web page 173

D

- devices, static-sensitive
 - handling 55
- DIMM
 - installing 72
 - removing 70
 - replacing 70
- DIMM installation rules 71
- drive
 - replacing 73
- drive cage
 - installing 57
 - removing 55
 - replacing 55

E

- enable
 - TPM 144
- Ethernet
 - controller
 - troubleshooting 158
 - Ethernet controller problems
 - solving 158

F

- fan
 - replacing 79
- fan power cable routing 31
- firmware
 - update 9
- firmware updates 9
- fixed power supply
 - installing 117
 - removing 113
- fixed power supply unit
 - replacing 113
- flash power module
 - installing 87
 - removing 85
 - replacing 85
- form factor 3
- front bezel
 - installing 89
 - removing 88
 - replacing 88
- front door
 - installing 91
 - removing 90
 - replacing 90
- front panel 20
- front panel board assembly
 - installing 93
 - removing 92
 - replacing 92
- front system fan
 - installing 81
 - removing 80
- front view 15
- front view of the server 15

G

- gaseous contamination 8
- Getting help 173
- guidelines
 - options installation 53
 - system reliability 54

H

- handling static-sensitive devices 55
- hard disk drive problems 161
- hardware service and support telephone numbers 175
- heat sink
 - installing 96
 - removing 95
- help 173
- hot-swap drive

- installing 78
- removing 76
- hot-swap drive backplane
 - installing 59
 - removing 58
 - replacing 58
- hot-swap power supply
 - installing 125
 - removing 121

I

- ID label 1
- important notices 178
- install
 - CMOS battery 68
 - processor 132
- installation
 - guidelines 53
- installation guidelines 53
- installing
 - 2.5-inch SSD into a 3.5-inch drive bay 65
 - DIMM 72
 - drive cage 57
 - fixed power supply 117
 - flash power module 87
 - front bezel 89
 - front door 91
 - front panel board assembly 93
 - front system fan 81
 - heat sink 96
 - hot-swap drive 78
 - hot-swap drive backplane 59
 - hot-swap power supply 125
 - intrusion switch 99
 - M.2 drive 100
 - optical drive 103
 - power distribution board 110
 - processor fan 96
 - rear system fan 83
 - server cover 136
 - simple-swap drive 75
 - simple-swap drive backplate 62
 - system board 141
 - tape drive 150
 - TPM card 152
- insufficient PCIe resource
 - solving 165
- intermittent problems 167
- internal cable routing 31
- introduction 1
- intrusion switch
 - installing 99
 - removing 98
 - replacing 98

J

- jumper 30

K

- keyboard problems 164

M

- M.2 drive
 - installing 100
 - removing 99

- replacing 99
- memory
 - problems 160
- monitor problems 163
- mouse problems 164

N

- network
 - problems 168
- network access label 1
- network activity LED 20
- notes, important 178
- notices 177

O

- observable problems 169
- optical drive
 - installing 103
 - removing 102
 - replacing 101
- optional-device problems 165

P

- particulate contamination 8
- parts list 48
- parts replacement, completing 153
- PCIe
 - troubleshooting 165
- PCIe adapter
 - replacing 106
- physical presence 146
- power
 - problems 168
- power button 20
- power cords 52
- power distribution board
 - installing 110
 - removing 109
 - replacing 108
- power off the server 14
- power on the server 13
- power problems 157
- power status LED 20
- problem determination 155
- problems
 - Ethernet controller 158
 - hard disk drive 161
 - intermittent 167
 - keyboard 164
 - memory 160
 - monitor 163
 - mouse 164
 - network 168
 - observable 169
 - optional devices 165
 - PCIe 165
 - power 157, 168
 - power on and power off 159
 - serial-device 167
 - software 171
 - USB device 164
 - video 163
- processor
 - install 132
 - removing 131
 - replacing 131
- processor fan

installing 96
removing 95

R

rear system fan
 installing 83
 removing 82
rear view 24
rear view LED 26
redundant power supply unit
 replacing 113
remove
 CMOS battery 66
removing
 2.5-inch SSD from a 3.5-inch drive bay 63
 DIMM 70
 drive cage 55
 fixed power supply 113
 flash power module 85
 front bezel 88
 front door 90
 front panel board assembly 92
 front system fan 80
 heat sink 95
 hot-swap drive 76
 hot-swap drive backplane 58
 hot-swap power supply 121
 intrusion switch 98
 M.2 drive 99
 optical drive 102
 power distribution board 109
 processor 131
 processor fan 95
 rear system fan 82
 server cover 134
 simple-swap drive 73
 simple-swap drive backplate 61
 system board 140
 tape drive 149
 TPM card 151
replacing
 2.5-inch SSD from 3.5-inch drive bay 63
 backplane 58
 CMOS battery 66
 DIMM 70
 drive 73
 drive cage 55
 fan 79
 fixed power supply unit 113
 flash power module 85
 front bezel 88
 front door 90
 front panel board assembly 92
 hot-swap drive backplane 58
 intrusion switch 98
 M.2 drive 99
 optical drive 101
 PCIe adapter 106
 power distribution board 108
 processor 131
 redundant power supply unit 113
 server cover 94, 134
 simple-swap-drive backplate 60
 system board 139
 tape drive 148
 TPM card 151

S

safety iii
safety inspection checklist iv

Secure Boot 148
security
 integrated cable lock 22
 padlock 22
 security
 front door lock 22
security advisories 13
serial number 143
serial-device problems 167
server components 15
server cover
 installing 136
 removing 134
 replacing 94, 134
server locks
 locations 22
server power on or power off problems 159
server, front view 15
service and support
 before you call 173
 hardware 175
 software 175
service data 174
simple-swap drive
 installing 75
simple-swap drive backplate
 installing 62
 removing 61
simple-swap drives
 removing 73
simple-swap-drive backplate
 replacing 60
software problems 171
software service and support telephone numbers 175
solving
 Ethernet controller problems 158
 insufficient PCIe resource 165
solving power problems 157
Specifications 3
static-sensitive devices
 handling 55
support web page, custom 173
system board
 installing 141
 removing 140
 replacing 139
system board components 29
system error LED 20
system ID button 20
system ID LED 20
system reliability guidelines 54

T

Taiwan BSMI RoHS declaration 179
Taiwan import and export contact information 179
tape drive
 installing 150
 removing 149
 replacing 148
Tech Tips 13
telecommunication regulatory statement 178
telephone numbers 175
TPM 144
TPM 1.2 147
TPM 2.0 147
TPM card 144
 installing 152
 removing 151
 replacing 151
TPM policy 145
TPM version 147
trademarks 178

- troubleshooting 163, 165, 171
 - by symptom 158
 - hard disk drive problems 161
 - intermittent problems 167
 - keyboard problems 164
 - memory problems 160
 - mouse problems 164
 - network problems 168
 - observable problems 169
 - power on and power off problems 159
 - power problems 168
 - serial-device problems 167
 - symptoms-based troubleshooting 158
 - USB-device problems 164
 - video 163
- Trusted Platform Module 144

U

- UEFI Secure Boot 148
- updating,
 - machine type 143
- USB-device problems 164

V

- video problems 163

W

- warranty 1
- working inside the server
 - power on 55



Part Number: SP47A37775

Printed in China

(1P) P/N: SP47A37775

