



## **GETTING STARTED GUIDE**



### **Cisco Aironet 1815t OfficeExtend Access Points**

- 1** [About this Guide](#)
- 2** [About the Access Point](#)
- 3** [Safety Instructions](#)
- 4** [Unpacking the AP](#)
- 5** [Ports and Connectors on the AP](#)
- 6** [Mounting and Powering the Access Point](#)
- 7** [Configuring and Managing the AP](#)
- 8** [Checking the Access Point Status LED](#)
- 9** [Checking the Ethernet Port LEDs](#)
- 10** [Using the Mode Button](#)
- 11** [Accessing the Console Port](#)
- 12** [Related Documentation](#)
- 13** [Declarations of Conformity and Regulatory Information](#)
- 14** [Obtain Documentation and Submit a Service Request](#)

# 1 About this Guide

This guide provides instructions on how to install and configure your Cisco Aironet 1815t OfficeExtend access points. This guide also provides mounting instructions and limited troubleshooting procedures.

The Aironet 1815t access point is referred to as *access point* or *AP* in this document.

## 2 About the Access Point

The Cisco Aironet 1815t OfficeExtend access point is an 802.11 a/b/g/n/ac (Wave 2) access point, with internal antennas. You can place the access point horizontally on a desk. The AP supports 2.4 GHz 2x2 802.11b/g/n MU-MIMO and 5 GHz 2x2 802.11 a/n/ac (Wave 2) MU-MIMO applications simultaneously.

The 1815t access point offers a highly secure enterprise wireless and wired connection to the home, micro-branch or other types of remote sites. This access point extends the corporate network to teleworkers, to mobile workers, or to micro-sites.

The access point connects to the home or site broadband Internet access and establishes a highly secure tunnel to the corporate network. This tunnel allows remote employees access to data, voice, video, and cloud services for a mobility experience consistent with that at the corporate office. The Cisco Aironet 1815t access points support secure corporate data access and personal connectivity for teleworkers' home devices with segmented home traffic.

## Access Point Features

The features of the 1815t access points are:

- Supported mode(s) of operation:
  - OfficeExtend Mode with hardware-based encryption
- Radio features are:
  - Dual-radio, dual-band, 802.11ac Wave 2
  - 2.4 GHz and 5 GHz concurrent radios
  - 2 GHz and 5 GHz radios with 2TX x 2RX and 2 spatial streams SU-MIMO and MU-MIMO.
  - 802.11ac based Transmit Beamforming
  - Quality of Service (QoS)
  - Radio Resource Management (RRM)

- Rogue Detection
- BandSelect
- Integrated Bluetooth LE 4.1 radio for location and asset tracking.
- Real-time Service Extender which extends real-time services such as voice, wireless, video, and data to remote locations.
- Datagram Transport Layer Security (DTLS) connection between the access point and the controller.
- The AP supports the following hardware external interfaces:
  - Three 10/100/1000BASE-T ports (local Ethernet ports), one of which also serves as a PoE-Out port (PSE-LAN1 port).  
The PoE-Out port provides 802.3af Class 0 (15.4W) power.
  - One USB 2.0 port
  - One console port on the base of the AP. For more information, see “[Accessing the Console Port](#)” section on page 13.
  - DC power connector, for powering the AP using AIR-PWR-D=, with an On/Off switch.
  - Mode button. For information on how to use the Mode button, see “[Using the Mode Button](#)” section on page 12.
  - One multi-color LED status indicator. See the “[Checking the Access Point Status LED](#)” section on page 10 for information on the colors of the LED status indicator.
- Two integrated 2.4GHz/5GHz dual-band antennas located on the sides of the access point under the top housing. Peak antenna gain is approximately 2 dBi and 4 dBi in the 2.4 GHz and 5 GHz bands respectively.

A full listing of the access point's features and specification are provided in the Cisco Aironet 1815t Access Point Data Sheet, at the following URL:

<http://www.cisco.com/c/en/us/products/collateral/wireless/aironet-1815-series-access-points/datasheet-c78-738482.html>

## Access Point Model Numbers and Regulatory Domains

The Cisco Aironet 1815t access point models have the format AIR-1815T-x-K9. The ‘x’ in the model number is a placeholder for the regulatory domain. For information on supported regulatory domains, see the following page:

<http://www.cisco.com/go/aironet/compliance>

### 3 Safety Instructions

Translated versions of the following safety warnings are provided in the translated safety warnings document that is shipped with your access point. The translated warnings are also in the *Translated Safety Warnings for Cisco Aironet Access Points*, which is available on Cisco.com.



**Warning**

---

#### IMPORTANT SAFETY INSTRUCTIONS

**This warning symbol means danger. You are in a situation that could cause bodily injury. Before you work on any equipment, be aware of the hazards involved with electrical circuitry and be familiar with standard practices for preventing accidents. Use the statement number provided at the end of each warning to locate its translation in the translated safety warnings that accompanied this device.** Statement 1071

---

#### SAVE THESE INSTRUCTIONS

---



**Warning**

---

**Read the installation instructions before you connect the system to its power source.** Statement 1004

---



**Warning**

---

**Installation of the equipment must comply with local and national electrical codes.** Statement 1074

---



**Warning**

---

**This product relies on the building's installation for short-circuit (overcurrent) protection. Ensure that the protective device is rated not greater than: 20A.** Statement 1005

---



**Warning**

---

**Do not operate your wireless network device near unshielded blasting caps or in an explosive environment unless the device has been modified to be especially qualified for such use.** Statement 245B

---



**Caution**

---

This product and all interconnected equipment must be installed indoors within the same building, including the associated LAN connections as defined by Environment A of the IEEE 802.3af/at Standard.

---

**Note**

---

Use only with listed Information Technology Equipment (ITE) equipment. For more information on ITE equipment, refer to article 645 of the latest National Electrical Code (NEC).

---

## 4 Unpacking the AP

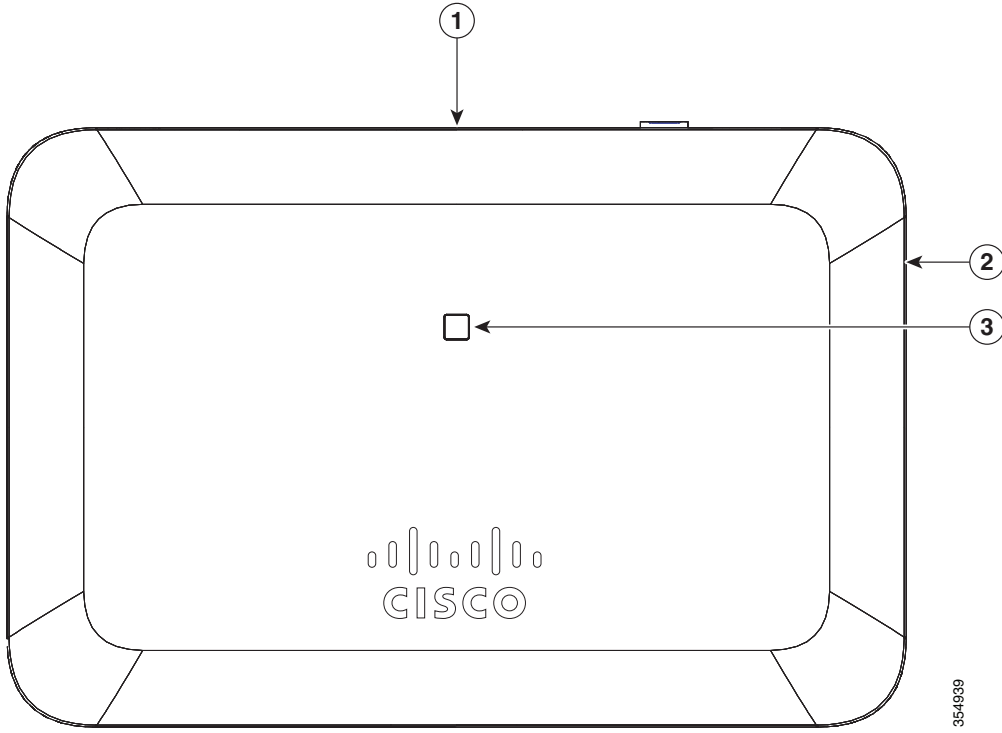
To unpack the access point, follow these steps:

- 
- Step 1** Unpack and remove the access point and the mounting accessories, from the shipping box.
- Step 2** Return any packing material to the shipping container and save it for future use.
- Step 3** Verify that you have received the items listed below. If any item is missing or damaged, contact your Cisco representative or reseller for instructions.
- The access point.
  - Cisco local power supply kit, with the AIR-PWR-D power adapter and power cord.
- 

The AIR-PWR-D power supply kit, containing the power adapter and the power cord can be also be separately ordered from Cisco.

# 5 Ports and Connectors on the AP

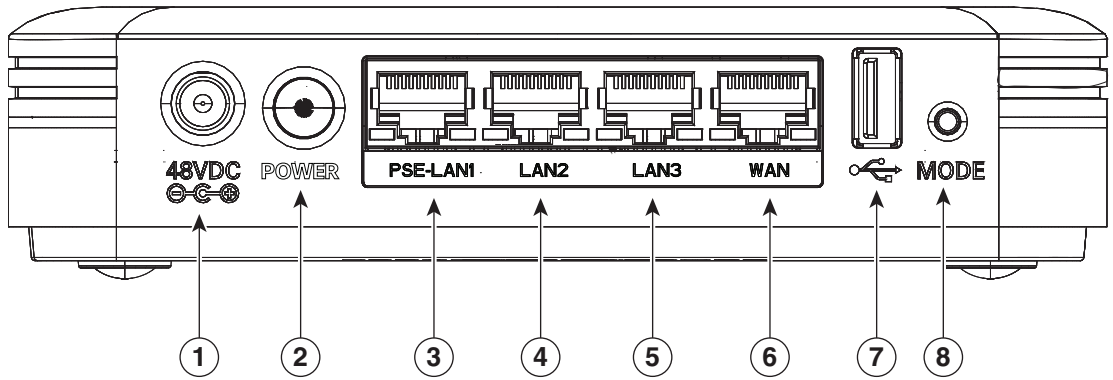
Figure 1 Face of the AP



354939

<b>1</b>	Location of the ports, connectors, Mode and Power buttons, on the side of the AP.	<b>2</b>	Status LED on the face of the AP.
<b>2</b>	Location of the Kensington lock slot on the side of the AP.		

**Figure 2 AP Ports and Connectors**



354940

<b>1</b>	+48 VDC power port.	<b>5</b>	LAN port 3.
<b>2</b>	Power button.	<b>6</b>	WAN port.
<b>3</b>	PSE / LAN port 1. This port provides 802.3af Power Sourcing Equipment (PSE) PoE-Out power on the LAN 1 Ethernet interface. When powered by AIR-PWR-C/D= the PoE-Out power is 802.3af Class 0 (15.4W).	<b>7</b>	USB port.
<b>4</b>	LAN port 2.	<b>8</b>	Mode button.

**Note**

A physical security kit AIR-SEC-50=, which is sold separately, includes RJ-45 block-out plugs and two unlock keys using which you can restrict physical access to the Ethernet ports.

**Note**

All the three LAN ports support Auto-MDIX. The interface automatically detects the required cable connection type (straight through or crossover) and configures the connection appropriately.



## 6 Mounting and Powering the Access Point

The access point can be placed/mounted in a horizontal position, on a horizontal surface such as a table.

To ensure the best RF coverage for your access point, place your access point in an area as close to the wireless clients as possible and practical to do so. If the Internet source or gateway router is in a remote area, position your access point away from metal obstructions.

Areas to avoid or places that may result in reduced range or performance are as follows.

- In a basement of a multi-story home, as the signals must penetrate many walls.
- Near large obstructions that can block the radio signals. Avoid areas like metal cabinets or refrigerators.
- On the floor under a metal desk or other dense or conductive objects.

The AP is powered using 44 to 57 VDC power via the VDC port, using Cisco Power Adapter AIR-PWR-D=. The PoE-Out port provides 802.3af Class 0 (15.4W) power.

## 7 Configuring and Managing the AP

Detailed information on configuring and managing an OfficeExtend AP is provided at the following URL:

[http://www.cisco.com/c/en/us/td/docs/wireless/access\\_point/1815/user/guide/1815t\\_ug.html](http://www.cisco.com/c/en/us/td/docs/wireless/access_point/1815/user/guide/1815t_ug.html)

## 8 Checking the Access Point Status LED

The location of the access point status LED is shown in [Figure 1](#). For privacy, the status LED is automatically turned off when the access point joins a controller.



**Note** Regarding LED status colors, it is expected that there will be small variations in color intensity and hue from unit to unit. This is within the normal range of the LED manufacturer's specifications and is not a defect.

The access point status LED indicates various conditions and are described in [Table 1](#).

**Table 1** *LED Status Indications*

Message Type	LED State	Possible Messages and Meanings
Boot loader status sequence	Blinking Green	DRAM memory test in progress
		DRAM memory test OK
		Board initialization in progress
		Initializing flash file system
		Flash memory test OK
		Initializing Ethernet
		Ethernet OK
		Starting the operating system
Initialization successful		

**Table 1 LED Status Indications (continued)**

<b>Message Type</b>	<b>LED State</b>	<b>Possible Messages and Meanings</b>
Association status	Chirping Green	Normal operating condition. AP has joined to a controller, but no wireless client has associated with the AP.
	Chirping is short blips that look distinctly different from blinking.	
	Green	Normal operating condition. At least one wireless client association is present.
Operating status	Blinking Amber	Software upgrade is in progress.
	Cycling through Green, Red and Amber	Discovery/join process is in progress.
	Rapidly cycling through Red, Green, Amber and Off	Access point location command has been invoked.
	Blinking Red	Ethernet link is not operational.
Boot loader warnings	Blinking Amber	Configuration recovery is in progress ( <b>Mode</b> button pushed for 2 to 3 seconds).
	Red	Ethernet failure. Image recovery has been initiated ( <b>Mode</b> button pushed for 20 to 30 seconds).
	Blinking Green	Image recovery is in progress ( <b>Mode</b> button released after being kept pressed for 20 to 30 seconds).
Boot loader errors	Red	DRAM memory test failure.
	Blinking Red and Amber	Flash file system failure.
	Blinking Red and off	Environment variable failure.
		Bad MAC address.
		Ethernet failure during image recovery.
		Boot environment failure.
No Cisco image file.		
Boot failure.		

**Table 1 LED Status Indications (continued)**

Message Type	LED State	Possible Messages and Meanings
Cisco AP OS errors	Red	Software failure. Try disconnecting and reconnecting power to the AP.
	Cycling through Red, Green, Amber and off.	General warning. Insufficient inline power.

## 9 Checking the Ethernet Port LEDs

Each Ethernet port has two LEDs for showing Link (Green) and Activity (Amber) statuses. They are integrated on the RJ45 connector. For a description of the statuses they indicate, see the following table.

	10M Link	10M Active	100M Link	100M Active	1000M Link	1000M Active
Link (Green) LED State	Off	Off	Off	Off	On	On
Activity (Amber) LED State	On	Blinking	On	Blinking	On	Blinking

## 10 Using the Mode Button

Using the Mode button (see [Figure 2](#)) you can:

- Reset the AP to default factory-shipped configuration.
- Clear the AP internal storage, including all configuration files and the regulatory domain configuration.

To use the mode button, press, and keep pressed, the mode button on the access point during the AP's boot cycle. Wait until the AP's status LED changes to Amber. During this, the AP console shows a seconds counter, counting the number of seconds the mode button is pressed. Then:

- To reset the AP to default factory-shipped configuration, keep the mode button pressed for less than 20 seconds. The AP's configuration files are cleared.

This resets all configuration settings to factory defaults, including passwords, WEP keys, the IP address, and the SSID. However, the regulatory domain provisioning is not reset.

- To clear the AP internal storage, including all configuration files and the regulatory domain configuration, keep the mode button pressed for more than 20 seconds, but less than 60 seconds. The AP status LED changes from Amber to Red, and all the files in the AP storage directory are cleared. This also removes any regulatory domain provisioning made previously and resets the AP back to -UX domain.

If you keep the mode button pressed for more than 60 seconds, the mode button is assumed faulty and no changes are made.

## 11 Accessing the Console Port

The console port is on the base of the access point, and can be accessed only by removing the base-plate. You can connect to the console port using only the AIR-CONSADPT= adapter cable.

To access the console port:

- 
- Step 1** Remove the rubber feet on the base-plate of the AP.
  - Step 2** Unfasten and remove the screws under the rubber feet.
  - Step 3** Remove the base-plate.



---

**Note** The base-plate must remain installed during normal operation of the AP.

---



---

**Note** Cisco supplies four additional rubber feet for re-installation on the base-plate of the AP.

---

## 12 Related Documentation

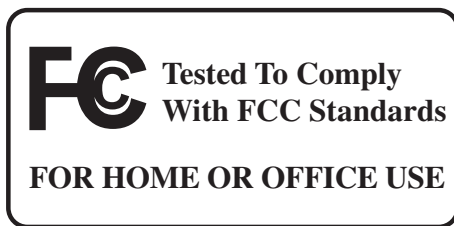
All user documentation for the Cisco Aironet 1815t access point is available at the following URL:  
<http://www.cisco.com/c/en/us/support/wireless/aironet-1815-series-access-points/tsd-products-support-series-home.html>

# 13 Declarations of Conformity and Regulatory Information

This section provides declarations of conformity and regulatory information for the Cisco Aironet 1815T Access Points. You can find additional information at this URL:

[www.cisco.com/go/aironet/compliance](http://www.cisco.com/go/aironet/compliance)

## Manufacturers Federal Communication Commission Declaration of Conformity Statement



### Access Point Models

AIR-1815T-B-K9

### Certification Number

LDK102107

### Manufacturer:

Cisco Systems, Inc.  
170 West Tasman Drive  
San Jose, CA 95134-1706  
USA

This device complies with Part 15 rules. Operation is subject to the following two conditions:

1. This device may not cause harmful interference, and
2. This device must accept any interference received, including interference that may cause undesired operation.

This equipment has been tested and found to comply with the limits of a Class B digital device, pursuant to Part 15 of the FCC Rules. These limits are designed to provide reasonable protection against harmful interference when the equipment is operated in a residential environment. This equipment generates, uses, and radiates radio frequency energy, and if not installed and used in accordance with the instructions, may cause harmful interference. However, there is no guarantee that

interference will not occur. If this equipment does cause interference to radio or television reception, which can be determined by turning the equipment off and on, the user is encouraged to correct the interference by one of the following measures:

- Reorient or relocate the receiving antenna.
- Increase separation between the equipment and receiver.
- Connect the equipment to an outlet on a circuit different from which the receiver is connected.
- Consult the dealer or an experienced radio/TV technician.



---

**Caution**

The Part 15 radio device operates on a non-interference basis with other devices operating at this frequency when using the integrated antennas. Any changes or modification to the product not expressly approved by Cisco could void the user's authority to operate this device.

---

## VCCI Statement for Japan

### Warning

---

**This is a Class B product based on the standard of the Voluntary Control Council for Interference from Information Technology Equipment (VCCI). If this is used near a radio or television receiver in a domestic environment, it may cause radio interference. Install and use the equipment according to the instruction manual.**

### 警告

この装置は、クラスB情報技術装置です。この装置は、家庭環境で使用することを目的としていますが、この装置がラジオやテレビジョン受信機に近接して使用されると、受信障害を引き起こすことがあります。  
取扱説明書に従って正しい取り扱いをして下さい。

VCCI-B

---

## Guidelines for Operating Cisco Aironet Access Points in Japan

This section provides guidelines for avoiding interference when operating Cisco Aironet access points in Japan. These guidelines are provided in both Japanese and English.

### Japanese Translation

この機器の使用周波数帯では、電子レンジ等の産業・科学・医療用機器のほか工場の製造ライン等で使用されている移動体識別用の構内無線局（免許を要する無線局）及び特定小電力無線局（免許を要しない無線局）が運用されています。

- 1 この機器を使用する前に、近くで移動体識別用の構内無線局及び特定小電力無線局が運用されていないことを確認して下さい。
- 2 万一、この機器から移動体識別用の構内無線局に対して電波干渉の事例が発生した場合には、速やかに使用周波数を変更するか又は電波の発射を停止した上、下記連絡先にご連絡頂き、混信回避のための処置等(例えば、パーティションの設置など)についてご相談して下さい。
- 3 その他、この機器から移動体識別用の特定小電力無線局に対して電波干渉の事例が発生した場合など何かお困りのことが起きたときは、次の連絡先へお問い合わせ下さい。

連絡先 : 03-6434-6500

208697

### English Translation

This equipment operates in the same frequency bandwidth as industrial, scientific, and medical devices such as microwave ovens and mobile object identification (RF-ID) systems (licensed premises radio stations and unlicensed specified low-power radio stations) used in factory production lines.

1. Before using this equipment, make sure that no premises radio stations or specified low-power radio stations of RF-ID are used in the vicinity.
2. If this equipment causes RF interference to a premises radio station of RF-ID, promptly change the frequency or stop using the device; contact the number below and ask for recommendations on avoiding radio interference, such as setting partitions.
3. If this equipment causes RF interference to a specified low-power radio station of RF-ID, contact the number below.

Contact Number: 03-6434-6500



## Statement 371—Power Cable and AC Adapter

接続ケーブル、電源コード、ACアダプタ、バッテリーなどの部品は、必ず添付品または指定品をご使用ください。添付品・指定品以外の部品をご使用になると故障や動作不良、火災の原因となります。また、電気用品安全法により、当該法の認定（PSEとコードに表記）でなくUL認定（ULまたはCSAマークがコードに表記）の電源ケーブルは弊社が指定する製品以外の電気機器には使用できないためご注意ください。

### English Translation

When installing the product, please use the provided or designated connection cables/power cables/AC adaptors. Using any other cables/adaptors could cause a malfunction or a fire. Electrical Appliance and Material Safety Law prohibits the use of UL-certified cables (that have the “UL” shown on the code) for any other electrical devices than products designated by CISCO. The use of cables that are certified by Electrical Appliance and Material Safety Law (that have “PSE” shown on the code) is not limited to CISCO-designated products.

# Industry Canada

## Access Point Models

AIR-1815T-A-K9

## Certification Number

2461B-102107

## Canadian Compliance Statement

This device complies with Industry Canada licence-exempt RSS standard(s). Operation is subject to the following two conditions: (1) this device may not cause interference, and (2) this device must accept any interference, including interference that may cause undesired operation of the device. Le présent appareil est conforme aux CNR d'Industrie Canada applicables aux appareils radio exempts de licence. L'exploitation est autorisée aux deux conditions suivantes : (1) l'appareil ne doit pas produire de brouillage, et (2) l'utilisateur de l'appareil doit accepter tout brouillage radioélectrique subi, même si le brouillage est susceptible d'en compromettre le fonctionnement.

Under Industry Canada regulations, this radio transmitter may only operate using an antenna of a type and maximum (or lesser) gain approved for the transmitter by Industry Canada. To reduce potential radio interference to other users, the antenna type and its gain should be so chosen that the equivalent isotropically radiated power (e.i.r.p.) is not more than that necessary for successful communication. Conformément à la réglementation d'Industrie Canada, le présent émetteur radio peut fonctionner avec une antenne d'un type et d'un gain maximal (ou inférieur) approuvé pour l'émetteur par Industrie Canada. Dans le but de réduire les risques de brouillage radioélectrique à l'intention des autres utilisateurs, il faut choisir le type d'antenne et son gain de sorte que la puissance isotrope rayonnée équivalente (p.i.r.e.) ne dépasse pas l'intensité nécessaire à l'établissement d'une communication satisfaisante.

This radio transmitter has been approved by Industry Canada to operate with the antenna types listed below with the maximum permissible gain and required antenna impedance for each antenna type indicated. Antenna types not included in this list, having a gain greater than the maximum gain indicated for that type, are strictly prohibited for use with this device. Le présent émetteur radio a été approuvé par Industrie Canada pour fonctionner avec les types d'antenne énumérés ci-dessous et ayant un gain admissible maximal et l'impédance requise pour chaque type d'antenne. Les types d'antenne non inclus dans cette liste, ou dont le gain est supérieur au gain maximal indiqué, sont strictement interdits pour l'exploitation de l'émetteur.

<b>Antenna Type</b>	<b>Antenna Gain</b>	<b>Antenna Impedance</b>
Dual-band Omni	2/4 dBi	50 ohms

Operation in the band 5150-5250 MHz is only for indoor use to reduce the potential for harmful interference to co-channel mobile satellite systems.

La bande 5 150-5 250 MHz est réservés uniquement pour une utilisation à l'intérieur afin de réduire les risques de brouillage préjudiciable aux systèmes de satellites mobiles utilisant les mêmes canaux.

Users are advised that high-power radars are allocated as primary users (i.e. priority users) of the bands 5250-5350 MHz and 5650-5850 MHz and that these radars could cause interference and/or damage to LE-LAN devices.

Les utilisateurs êtes avisés que les utilisateurs de radars de haute puissance sont désignés utilisateurs principaux (c.-à-d., qu'ils ont la priorité) pour les bandes 5 250-5 350 MHz et 5 650-5 850 MHz et que ces radars pourraient causer du brouillage et/ou des dommages aux dispositifs LAN-EL.

## European Community, Switzerland, Norway, Iceland, and Liechtenstein

### Access Point Models:

AIR-1815T-E-K9

For detailed compliance information, see the *EU Directive 2014/53/EU - Compliance Information* document, at:

[\(URL to be added at FCS\)](#)

## Declaration of Conformity for RF Exposure

This section contains information on compliance with guidelines related to RF exposure.

### Generic Discussion on RF Exposure

The Cisco products are designed to comply with the following national and international standards on Human Exposure to Radio Frequencies:

- US 47 Code of Federal Regulations Part 2 Subpart J

- American National Standards Institute (ANSI) / Institute of Electrical and Electronic Engineers / IEEE C 95.1 (99)
- International Commission on Non Ionizing Radiation Protection (ICNIRP) 98
- Ministry of Health (Canada) Safety Code 6. Limits on Human Exposure to Radio Frequency Fields in the range from 3kHz to 300 GHz
- Australia Radiation Protection Standard

To ensure compliance with various national and international Electromagnetic Field (EMF) standards, the system should only be operated with Cisco approved accessories.

## This Device Meets International Guidelines for Exposure to Radio Waves

The 1815T access point device includes a radio transmitter and receiver. It is designed not to exceed the limits for exposure to radio waves (radio frequency electromagnetic fields) recommended by international guidelines. The guidelines were developed by an independent scientific organization (ICNIRP) and include a substantial safety margin designed to ensure the safety of all persons, regardless of age and health.

As such the systems are designed to be operated as to avoid contact with the antennas by the end user. It is recommended to set the system in a location where the antennas can remain at least a minimum distance as specified from the user in accordance to the regulatory guidelines which are designed to reduce the overall exposure of the user or operator.

Separation Distance		
MPE	Distance	Limit
0.69 mW/cm <sup>2</sup>	20 cm (7.87 inches)	1.00 mW/cm <sup>2</sup>

The World Health Organization has stated that present scientific information does not indicate the need for any special precautions for the use of wireless devices. They recommend that if you are interested in further reducing your exposure then you can easily do so by reorienting antennas away from the user or placing the antennas at a greater separation distance than recommended.

## This Device Meets FCC Guidelines for Exposure to Radio Waves

The 1815T access point device includes a radio transmitter and receiver. It is designed not to exceed the limits for exposure to radio waves (radio frequency electromagnetic fields) as referenced in FCC Part 1.1310. The guidelines are based on IEEE ANSI C 95.1 (92) and include a substantial safety margin designed to ensure the safety of all persons, regardless of age and health.

As such the systems are designed to be operated as to avoid contact with the antennas by the end user. It is recommended to set the system in a location where the antennas can remain at least a minimum distance as specified from the user in accordance to the regulatory guidelines which are designed to reduce the overall exposure of the user or operator.

The device has been tested and found compliant with the applicable regulations as part of the radio certification process.

Separation Distance		
MPE	Distance	Limit
0.69 mW/cm <sup>2</sup>	20 cm (7.87 inches)	1.00 mW/cm <sup>2</sup>

The US Food and Drug Administration has stated that present scientific information does not indicate the need for any special precautions for the use of wireless devices. The FCC recommends that if you are interested in further reducing your exposure then you can easily do so by reorienting antennas away from the user or placing the antennas at a greater separation distance than recommended or lowering the transmitter power output.

## This Device Meets the Industry Canada Guidelines for Exposure to Radio Waves

The 1815T access point device includes a radio transmitter and receiver. It is designed not to exceed the limits for exposure to radio waves (radio frequency electromagnetic fields) as referenced in Health Canada Safety Code 6. The guidelines include a substantial safety margin designed into the limit to ensure the safety of all persons, regardless of age and health.

As such the systems are designed to be operated as to avoid contact with the antennas by the end user. It is recommended to set the system in a location where the antennas can remain at least a minimum distance as specified from the user in accordance to the regulatory guidelines which are designed to reduce the overall exposure of the user or operator.

Separation Distance			
Frequency	MPE	Distance	Limit
2.4 GHz	2.9 W/m <sup>2</sup>	20 cm (7.87 inches)	5.4 W/m <sup>2</sup>
5 GHz	3.8 W/m <sup>2</sup>		9.2 W/m <sup>2</sup>

Health Canada states that present scientific information does not indicate the need for any special precautions for the use of wireless devices. They recommend that if you are interested in further reducing your exposure you can easily do so by reorienting antennas away from the user, placing the antennas at a greater separation distance than recommended, or lowering the transmitter power output.

## Cet appareil est conforme aux directives internationales en matière d'exposition aux fréquences radioélectriques

Cet appareil de la gamme 1815T comprend un émetteur-récepteur radio. Il a été conçu de manière à respecter les limites en matière d'exposition aux fréquences radioélectriques (champs électromagnétiques de fréquence radio), recommandées dans le code de sécurité 6 de Santé Canada. Ces directives intègrent une marge de sécurité importante destinée à assurer la sécurité de tous, indépendamment de l'âge et de la santé.

Par conséquent, les systèmes sont conçus pour être exploités en évitant que l'utilisateur n'entre en contact avec les antennes. Il est recommandé de poser le système là où les antennes sont à une distance minimale telle que précisée par l'utilisateur conformément aux directives réglementaires qui sont conçues pour réduire l'exposition générale de l'utilisateur ou de l'opérateur.

Distance d'éloignement			
Fréquence	MPE	Distance	Limite
2.4 GHz	2.9 W/m <sup>2</sup>	20 cm (7.87 inches)	5.4 W/m <sup>2</sup>
5 GHz	3.8 W/m <sup>2</sup>		9.2 W/m <sup>2</sup>

Santé Canada affirme que la littérature scientifique actuelle n'indique pas qu'il faille prendre des précautions particulières lors de l'utilisation d'un appareil sans fil. Si vous voulez réduire votre exposition encore davantage, selon l'agence, vous pouvez facilement le faire en réorientant les antennes afin qu'elles soient dirigées à l'écart de l'utilisateur, en les plaçant à une distance d'éloignement supérieure à celle recommandée ou en réduisant la puissance de sortie de l'émetteur.

## Additional Information on RF Exposure

You can find additional information on the subject at the following links:

- Cisco Systems Spread Spectrum Radios and RF Safety white paper at this URL: [http://www.cisco.com/warp/public/cc/pd/witc/ao340ap/prodlit/rfhr\\_wi.htm](http://www.cisco.com/warp/public/cc/pd/witc/ao340ap/prodlit/rfhr_wi.htm)

- FCC Bulletin 56: Questions and Answers about Biological Effects and Potential Hazards of Radio Frequency Electromagnetic Fields
- FCC Bulletin 65: Evaluating Compliance with the FCC guidelines for Human Exposure to Radio Frequency Electromagnetic Fields

You can obtain additional information from the following organizations:

- World Health Organization Internal Commission on Non-Ionizing Radiation Protection at this URL: [www.who.int/emf](http://www.who.int/emf)
- United Kingdom, National Radiological Protection Board at this URL: [www.nrp.org.uk](http://www.nrp.org.uk)
- Cellular Telecommunications Association at this URL: [www.wow-com.com](http://www.wow-com.com)
- The Mobile Manufacturers Forum at this URL: [www.mmfa.org](http://www.mmfa.org)

## Administrative Rules for Cisco Aironet Access Points in Taiwan

This section provides administrative rules for operating Cisco Aironet access points in Taiwan. The rules for all access points are provided in both Chinese and English.

### Chinese Translation

#### 低功率電波輻射性電機管理辦法

第十二條 經型式認證合格之低功率射頻電機，非經許可，公司、商號或使用者均不得擅自變更頻率、加大功率或變更原設計之特性及功能。

第十四條 低功率射頻電機之使用不得影響飛航安全及干擾合法通信；經發現有干擾現象時，應立即停用，並改善至無干擾時方得繼續使用。

前項合法通信，指依電信法規定作業之無線電信。

低功率射頻電機須忍受合法通信或工業、科學及醫療用電波輻射性電機設備之干擾。

127048

## English Translation

### Administrative Rules for Low-power Radio-Frequency Devices

#### Article 12

For those low-power radio-frequency devices that have already received a type-approval, companies, business units or users should not change its frequencies, increase its power or change its original features and functions.

#### Article 14

The operation of the low-power radio-frequency devices is subject to the conditions that no harmful interference is caused to aviation safety and authorized radio station; and if interference is caused, the user must stop operating the device immediately and can't re-operate it until the harmful interference is clear.

The authorized radio station means a radio-communication service operating in accordance with the Communication Act.

The operation of the low-power radio-frequency devices is subject to the interference caused by the operation of an authorized radio station, by another intentional or unintentional radiator, by industrial, scientific and medical (ISM) equipment, or by an incidental radiator.

## Chinese Translation

### 低功率射頻電機技術規範

#### 4.7 無線資訊傳輸設備

4.7.5 在 5.25-5.35 兆赫頻帶內操作之無線資訊傳輸設備，限於室內使用。

4.7.6 無線資訊傳輸設備須忍受合法通信之干擾且不得干擾合法通信；如造成干擾，應立即停用，俟無干擾之虞，始得繼續使用。

4.7.7 無線資訊傳輸設備的製造廠商應確保頻率穩定性，如依製造廠商使用手冊上所述正常操作，發射的信號應維持於操作頻帶中。



## English Translation

### Low-power Radio-frequency Devices Technical Specifications

- 4.7 Unlicensed National Information Infrastructure
- 4.7.5 Within the 5.25-5.35 GHz band, U-NII devices will be restricted to indoor operations to reduce any potential for harmful interference to co-channel MSS operations.
- 4.7.6 The U-NII devices shall accept any interference from legal communications and shall not interfere the legal communications. If interference is caused, the user must stop operating the device immediately and can't re-operate it until the harmful interference is clear.
- 4.7.7 Manufacturers of U-NII devices are responsible for ensuring frequency stability such that an emission is maintained within the band of operation under all conditions of normal operation as specified in the user manual.

## Operation of Cisco Aironet Access Points in Brazil

This section contains special information for operation of Cisco Aironet access points in Brazil.

Access Point Models:

AIR-1815T-Z-K9

**Figure 3** *Brazil Regulatory Information*

## Portuguese Translation

Este equipamento opera em caráter secundário, isto é, não tem direito a proteção contra interferência prejudicial, mesmo de estações do mesmo tipo, e não pode causar interferência a sistemas operando em caráter primário.

## English Translation

This equipment operates on a secondary basis and consequently must accept harmful interference, including interference from stations of the same kind. This equipment may not cause harmful interference to systems operating on a primary basis.

## Declaration of Conformity Statements

All the Declaration of Conformity statements related to this product can be found at the following location: <http://www.ciscofax.com>

# 14 Obtain Documentation and Submit a Service Request

For information on obtaining documentation, using the Cisco Bug Search Tool (BST), submitting a service request, and gathering additional information, see *[What's New in Cisco Product Documentation](#)*.

To receive new and revised Cisco technical content directly to your desktop, you can subscribe to the *[What's New in Cisco Product Documentation RSS feed](#)*. The RSS feeds are a free service.

# 15

© 2017 Cisco Systems, Inc. All rights reserved.

Cisco and the Cisco logo are trademarks or registered trademarks of Cisco and/or its affiliates in the U.S. and other countries. To view a list of Cisco trademarks, go to this URL: [www.cisco.com/go/trademarks](http://www.cisco.com/go/trademarks). Third-party trademarks mentioned are the property of their respective owners. The use of the word partner does not imply a partnership relationship between Cisco and any other company. (1721R)