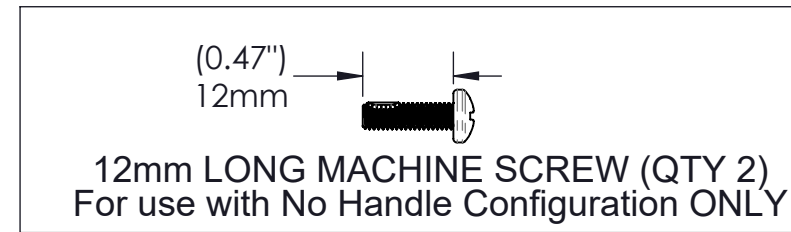
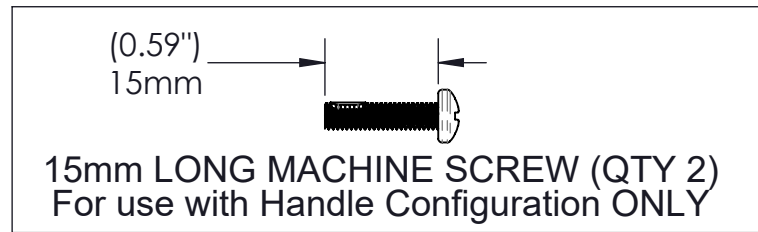


INSTALLATION INSTRUCTIONS (WITH HANDLE):

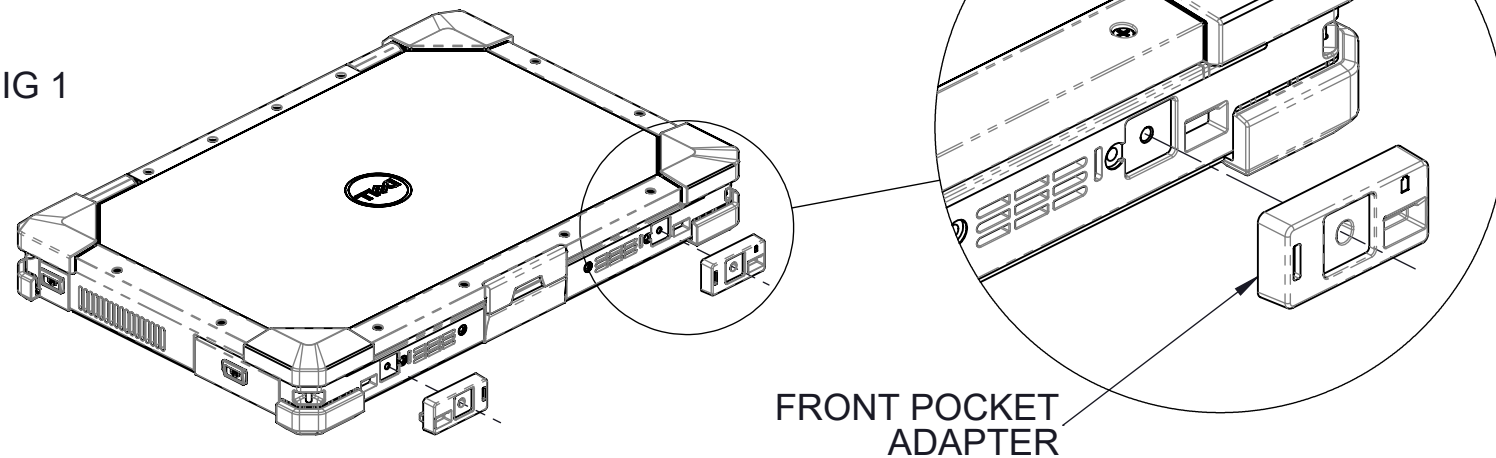
INSTALLATION INSTRUCTIONS (NO HANDLE):



STEP 1: Using a PH2 drive, loosen the two fasteners that attach the Handle to the computer, and remove the Handle.

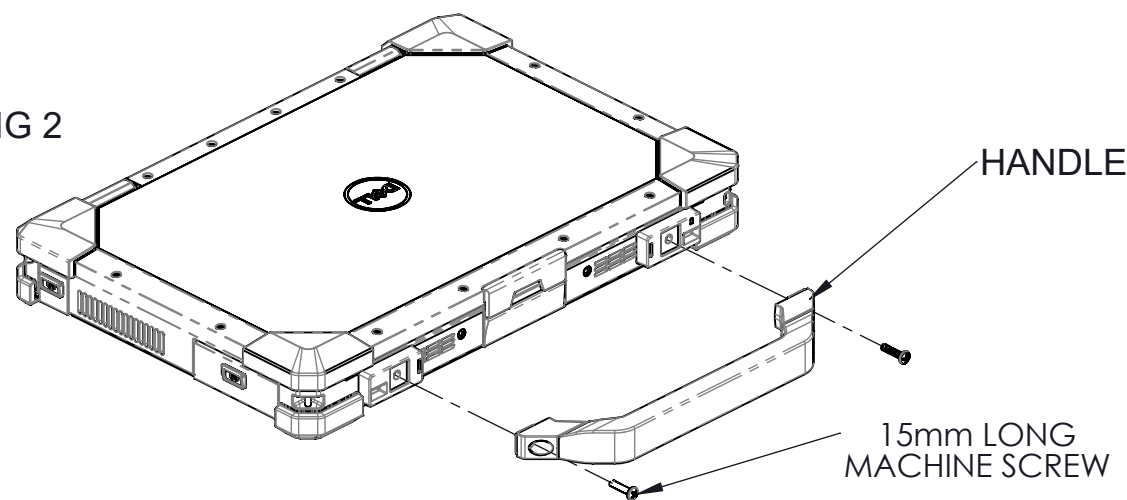
STEP 2: With Handle removed, align both Front Pocket Adapters to the front of the computer as shown (FIG 1), and press into position.

FIG 1



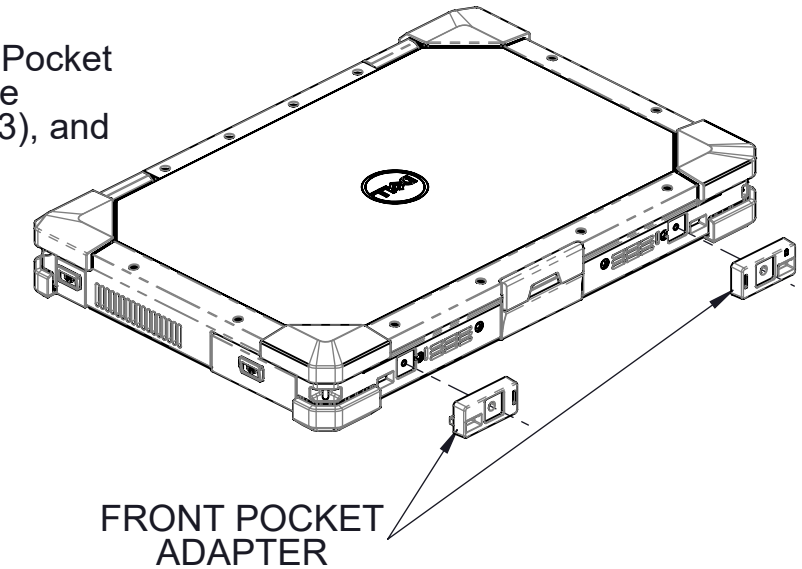
STEP 2: With Front Pocket Adapters in position, align Handle and 15mm Machine Screws as shown (FIG 2). Using a PH2 drive, torque fasteners to 8 in-lbs.

FIG 2



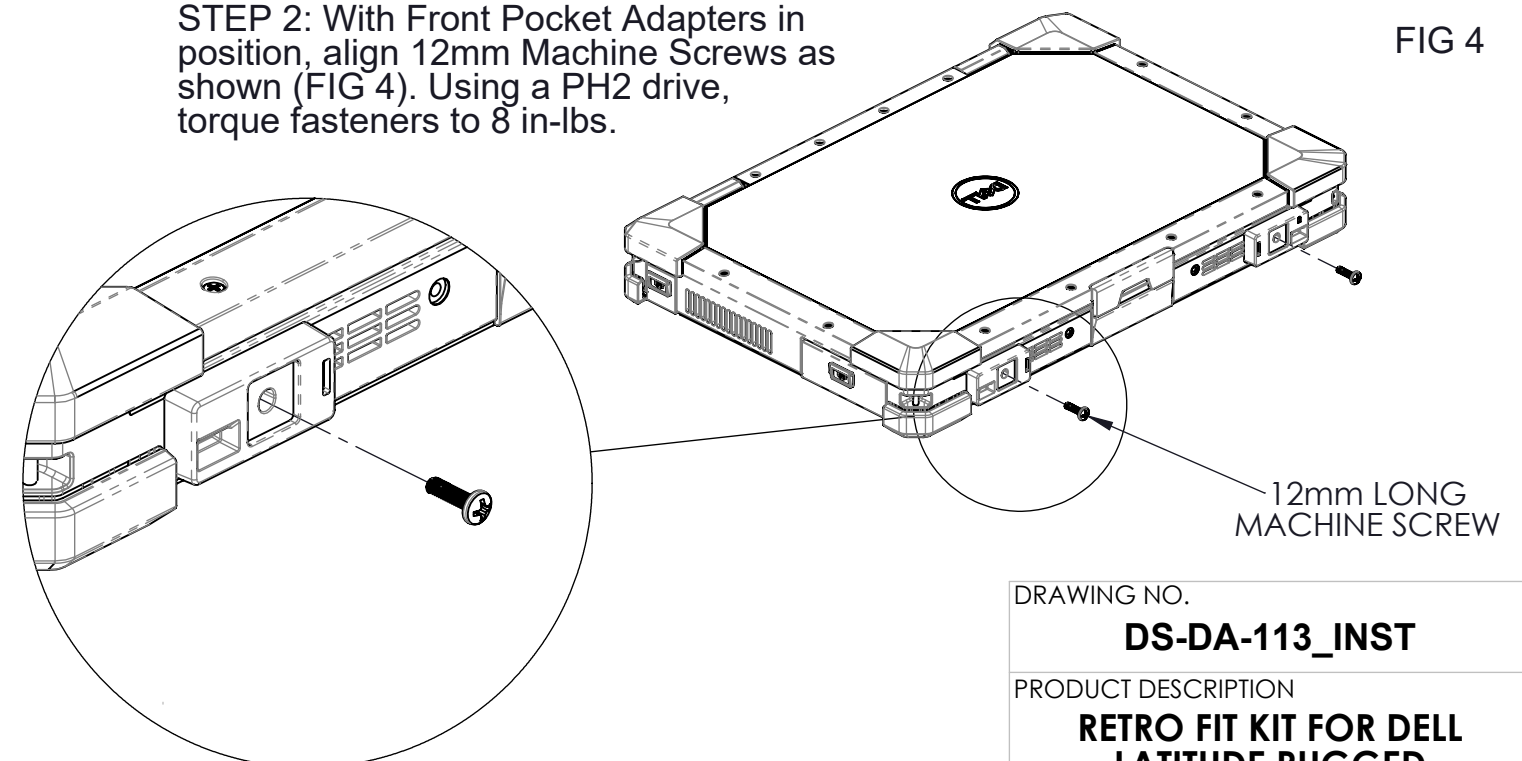
STEP 1: Align both Front Pocket Adapters to the front of the computer as shown (FIG 3), and press into position.

FIG 3



STEP 2: With Front Pocket Adapters in position, align 12mm Machine Screws as shown (FIG 4). Using a PH2 drive, torque fasteners to 8 in-lbs.

FIG 4



HARDWARE KIT CONTENTS:

ITEM #	QTY.	DESCRIPTION	DRIVE STYLE
1	2	MACHINE SCREW, PAN HEAD, M3.5X0.6MMX15MM LONG, STEEL, BLACK ZINC, PHILLIPS W/PATCH	PH2
2	2	MACHINE SCREW, PAN HEAD, M3.5X0.6MMX12MM LONG, STEEL, BLACK ZINC, PHILLIPS W/PATCH	PH2

WARNING: ALL HAVIS INC. PRODUCTS ARE DESIGNED WITH SAFETY OF USE AND INSTALLATION IN MIND. HOWEVER, IT IS THE SOLE RESPONSIBILITY OF THE OWNER/OPERATOR OF A VEHICLE USING HAVIS INC. MOUNTING AND DOCKING EQUIPMENT, TO INSURE THAT THE EQUIPMENT IS INSTALLED SO THAT IT WILL NOT INTERFERE WITH VEHICLE OPERATION, INTERFERE WITH SAFETY DEVICES, OBSTRUCT VIEW OF DRIVING CONDITIONS, OR IN ANY WAY DEGRADE OCCUPANT SAFETY. IMPROPER INSTALLATION CAN CAUSE SERIOUS INJURY IN THE EVENT OF AN ACCIDENT. INSTALLATION SHOULD ONLY BE PERFORMED BY QUALIFIED PROFESSIONALS. COMPUTERS AND MOTION DEVICES MUST BE MOVED TO AND STOWED/SECURED IN THEIR SAFE DRIVING POSITIONS BEFORE OPERATING VEHICLE.

DRAWING NO.

DS-DA-113_INST

PRODUCT DESCRIPTION

**RETRO FIT KIT FOR DELL
LATITUDE RUGGED
COMPUTERS 5430 & 7330**

HAVIS

1-800-524-9900
WWW.HAVIS.COM

WEIGHT: (LBS)

0.03

REV. DATE

11-01-21