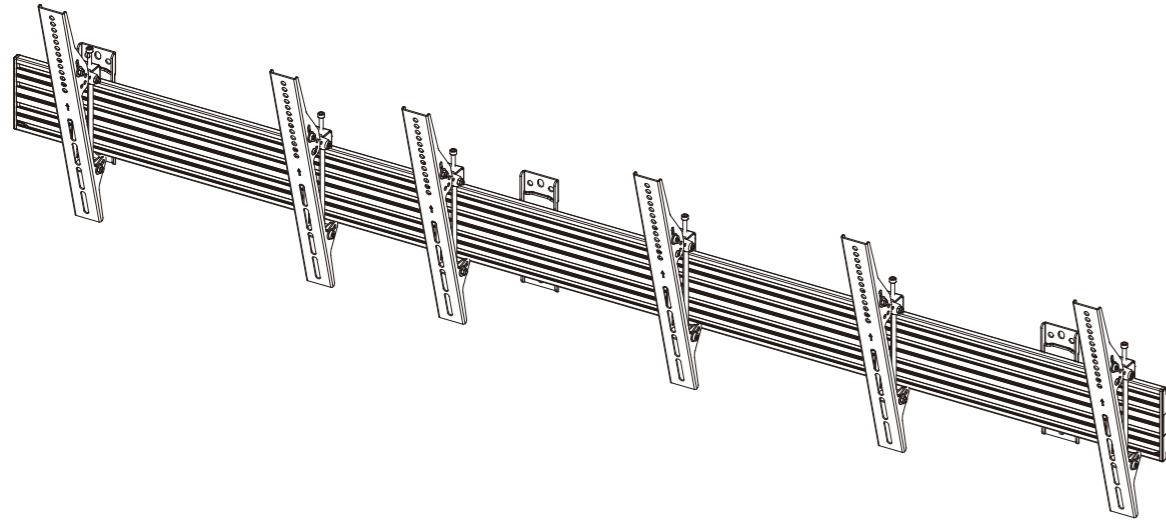


Commercial Series

**3x1 Menu Board Wall Mount for Screens between 32in to 65in,
Max Weight 66lbs, VESA Patterns up to 600x400**



**P/N 39663
Installation Guide**

SAFETY GUIDELINES

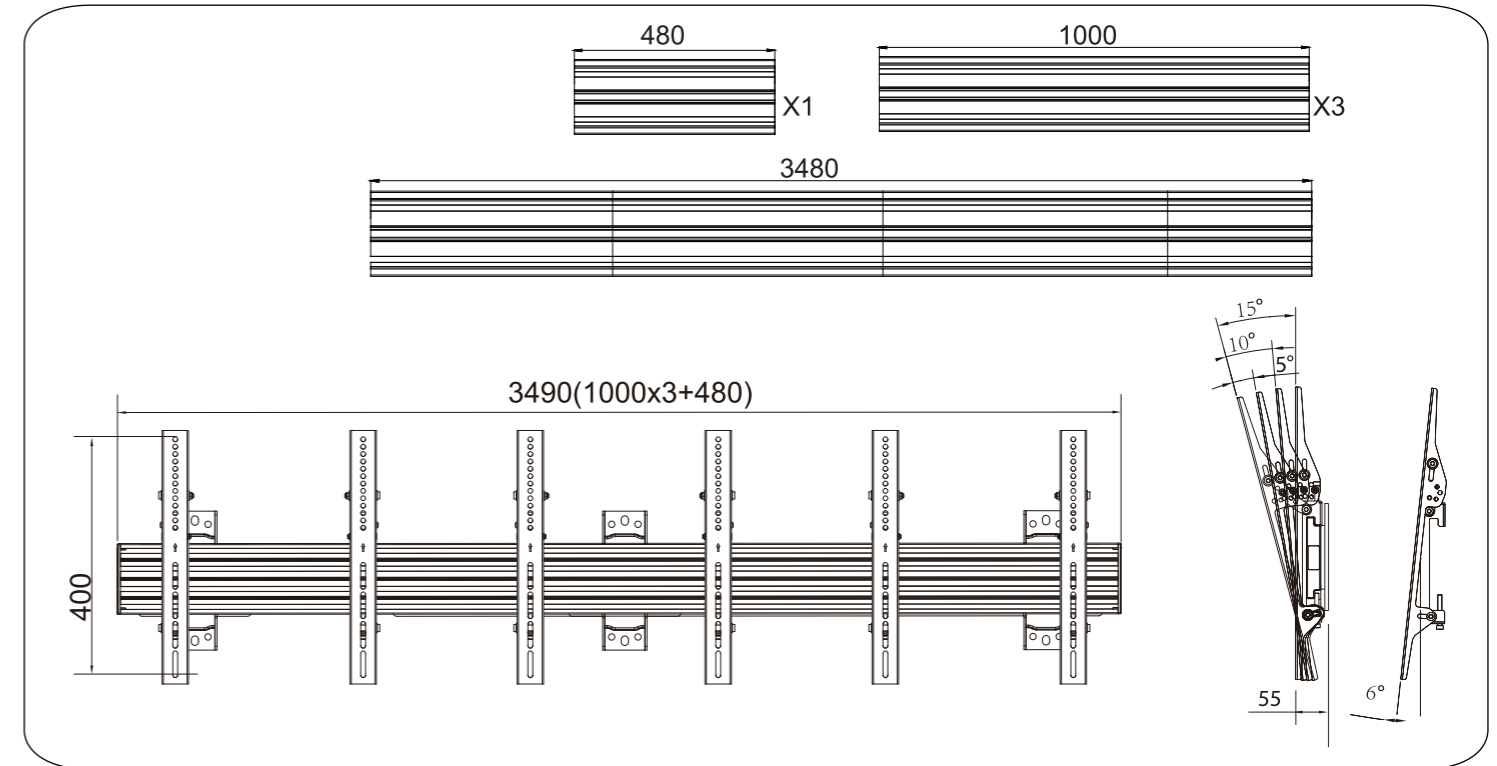
Please read this entire manual before using this device, paying extra attention to these safety warnings and guidelines. Please keep this manual in a safe place for future reference.

- Do not exceed the rated weight limit. Doing so can cause the mount to fail, resulting in equipment damage and/or severe personal injury.
- Ensure that the structure to which this mount will be installed is capable of supporting at least four times the total weight of the mount and any connected displays.
- Use the supplied mounting screws. Tighten the screws using the appropriate tool, but take care not to over-tighten them.
- This device is intended for indoor use only.
- This device contains small parts that could pose a choking hazard to small children. Keep this device and its spare parts out of reach of children.
- Inspect the installation at least once every three months to ensure that it is secure and safe to use.
- Please take an inventory of the package contents to ensure you have all the items shown in the Parts List. If anything is missing or damaged, please contact Monoprice Customer Service for a replacement.

CUSTOMER SERVICE

The Monoprice Customer Service department is dedicated to ensuring that your ordering, purchasing, and delivery experience is second to none. If you have any problem with your order, please give us an opportunity to make it right. You can contact a Monoprice Customer Service representative through the Live Chat link on our website www.monoprice.com or via email at support@monoprice.com. Check the website for support times and links

PRODUCT DIMENSIONS



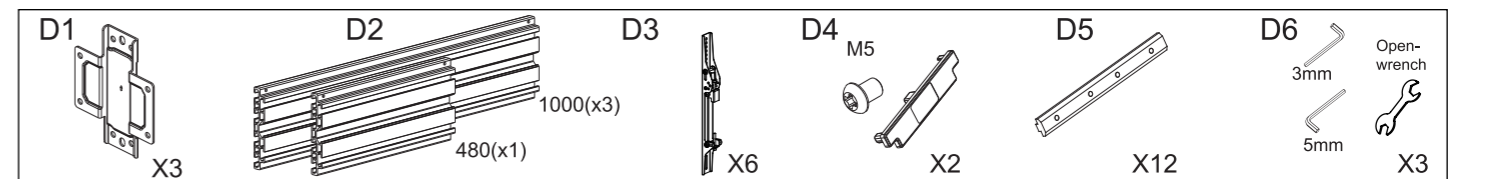
PACKAGE CONTENTS

Packet 1

M5X15	M6X15	M8X15	Ø16XØ6.2X1.5	X3
X4	X4	X4	X4	
A1	A2	A3	A4	

Packet 2

M8	Ø16XØ8.2X1.5	M8X12	Ø16XØ8.2X1.5	Lag bolt	Anchor	X3
x4	x4	x4	x2	x2	x2	
B1	B2	B3	B4	B5	B6	



Required Tools



INSTALLATION

