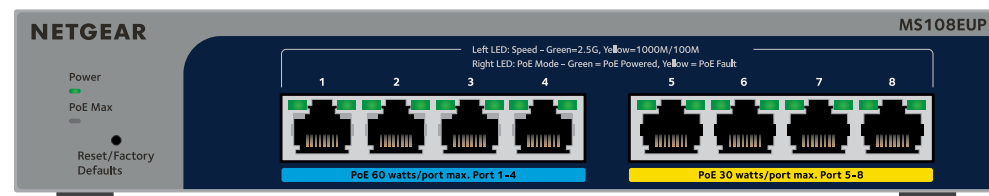


Installation Guide

8-port Ultra60 PoE++ Multi-Gigabit (2.5G) Ethernet Plus Switch

Model MS108EUP



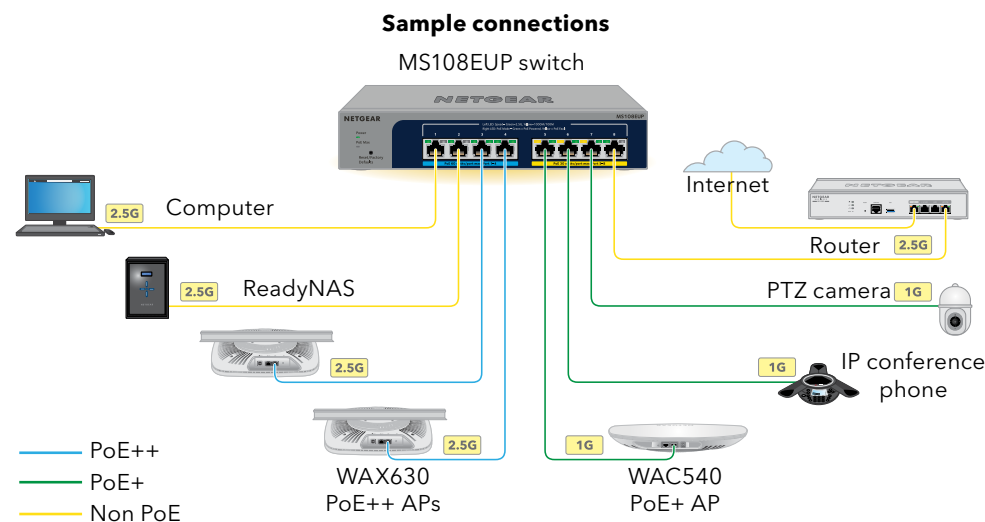
Package contents

- NETGEAR 8-port Ultra60 PoE++ Multi-Gigabit (2.5G) Ethernet Plus Switch
- Power adapter (power cable varies by region)
- Wall-mount installation kit
- Rubber feet
- Installation Guide

1. Register the switch

1. From a computer or mobile device that is connected to the Internet, visit my.netgear.com.
2. Log in to your NETGEAR account.
NOTE: If you don't have a free NETGEAR account, you can create one. The My Products page displays.
3. From the menu on the left, select Register a Product.
4. In the **Serial Number** field, type the serial number of your switch. The serial number is 13 digits long. It is printed on the switch label.
5. From the **Date of Purchase** menu, select the date that you purchased the switch.
6. Click the **REGISTER** button.
Your switch is registered to your NETGEAR account.
A confirmation email is sent to your NETGEAR account email address.

2. Connect the switch



NOTE: We recommend that you use a Category 5e (Cat 5e) cable or higher-rated cable for Gigabit Ethernet connections.

This switch is designed for indoor use only. If you want to connect it to a device located outdoors, the outdoor device must be properly grounded and surge protected, and you must install an Ethernet surge protector inline between the switch and the outdoor device. Failure to do so can damage the switch.

WARNING: Before connecting this switch to outdoor cables or devices, see <https://kb.netgear.com/000057103> for safety and warranty information.

3. Check the LEDs

When you connect the power adapter to the switch and plug the cable into an electrical outlet, the LEDs indicate the status:

LED	Description
Power LED	<ul style="list-style-type: none"> Solid green: The switch is powered on and operating normally. Off: Power is not supplied to the switch.
PoE Max LED (The status of the switch's PoE budget.)	<ul style="list-style-type: none"> Off: Sufficient (more than 7W of) PoE power is available. Solid yellow: Less than 7W of PoE power is available. Blinking yellow: At least once during the previous two minutes, less than 7W of PoE power was available.
Left Port LED	<ul style="list-style-type: none"> Solid green: 2.5 Gbps link on this port. Blinking green: 2.5 Gbps activity on this port. Solid yellow: 1000 Mbps or 100 Mbps link on this port. Blinking yellow: 1000 Mbps or 100 Mbps activity on this port. Off: No link is detected on this port.
Right Port LED	<ul style="list-style-type: none"> Solid Green: The port is delivering PoE power. Off: The port is not delivering PoE power. Solid yellow: A PoE fault occurred.

4. Discover the switch's IP address and access the switch

The NETGEAR Switch Discovery Tool (NSDT) lets you discover the switch in your network and access the local browser interface (UI) of the switch from a Mac, Windows-based, or Linux-based computer.

To install the NETGEAR Switch Discovery Tool, discover the switch in your network, access the switch, and discover the switch IP address:

1. To download the tool, visit <https://www.netgear.com/support/product/netgear-switch-discovery-tool.aspx>. Download the Mac, Windows, or Linux version.
2. Temporarily disable the firewall, Internet security, antivirus programs, or all of these on the computer that you use to configure the switch.
3. Unzip the NSDT files, and click or double-click the executable file (for example, NDST-1.2.103.exe) to install the program on your computer. You might see the tool icon appear on your Mac dock, Windows desktop, or Linux desktop.
4. Reenable the security services on your computer.
5. Power on the switch.
6. Connect your computer to the same network as the switch.
7. Open the NSDT. The initial page displays a menu and a button.
8. From the **Choose a Connection** menu, select the network for this switch.
9. Click the **Start Searching** button. The NSDT displays the IP addresses of the switches that it discovers.
10. Click the **ADMIN PAGE** button. The login page or login window of the local browser user interface (UI) opens.
11. Enter the default password that is printed on the switch label.

Continued on the next page.



201-29173-01

October 2021

© NETGEAR, Inc., NETGEAR and the NETGEAR Logo are trademarks of NETGEAR, Inc. Any non-NETGEAR trademarks are used for reference purposes only.

12. If prompted, enter a new admin password for the switch.

The Switch Information page displays, and shows the IP address assigned to the switch.

13. Save the password and IP address for future use.

You can now configure and monitor your switch.

Mount the switch on a wall

We recommend that you use the wall-mount screws that are included.

1. Locate the two mounting holes on the bottom panel of the switch.

2. Mark and drill two mounting holes in the wall where you want to mount the switch.

The two mounting holes must be 3.937 in. (100 mm) apart, center-to-center.

3. Insert the supplied anchors into the wall and tighten the screws with a No. 2 Phillips screwdriver.

Leave about 0.125 in. (4 mm) of each screw protruding from the wall so that you can insert the screws into the holes on the bottom panel.

NOTE: The screws are 0.25 in. (6.5 mm) in diameter, 0.63 in. (16 mm) in length.

PoE considerations

PoE power supplied by the switch is prioritized in ascending port order (from port 1 to port 8). The switch can supply a total of 230W across all active PoE+ and PoE++ ports.

- **Ports 1-4:** Each port can supply up to 60W PoE++ (802.3bt) power.

- **Ports 5-8:** Each port can supply up to 30W PoE+ (802.3at) power.

This table shows the standard power ranges without overrides applied, calculated with the maximum cable length of 328 feet (100 meters). If a device receives insufficient PoE power from the switch, consider using a shorter cable.

Device class	Compatible PoE standard	Class description	Maximum power supplied by the switch	Power delivered to the device
0	PoE, PoE+, and PoE++	Default power (full)	15.4W	0.44W-13.0W
1	PoE, PoE+, and PoE++	Very low power	4.0W	0.44W-3.84W
2	PoE, PoE+, and PoE++	Low power	7.0W	3.84W-6.49W
3	PoE, PoE+, and PoE++	Mid power	15.4W	6.49W-13.0W
4	PoE+ and PoE++	High power	30.0W	13.0W-25.5W
5	PoE++	Ultra high power	45.0W	25.5W-40.0W
6	PoE++	Ultra high power	60.0W	40.0W-51.0W

PoE troubleshooting

Here are some tips for correcting PoE problems that might occur:

- If the PoE Max LED is solid yellow, disconnect one or more PoE devices to prevent PoE oversubscription.

- For each powered device (PD) that is connected to the switch, the associated PoE LED on the switch lights solid green. If the PoE LED lights solid yellow, a PoE fault occurred and PoE halted because of one of the conditions listed in the following table:

PoE Fault Condition	Possible Solution
A PoE-related short circuit occurred on the port.	
The PoE power demand of the PD exceeded the maximum level that the switch permits. The maximum level is 15.4W for a PoE connection, 30W for a PoE+ connection, and 60W for a PoE++ connection.	The problem is most likely with the attached PD. Check the condition of the PD, or restart the PD by disconnecting and reconnecting the PD.
The PoE current on the port exceeded the classification limit of the PD.	
The PoE voltage of the port is outside the range that the switch permits.	Restart the switch to see if the condition resolves itself.

Support and Community

Visit [netgear.com/support](https://www.netgear.com/support) to get your questions answered and access the latest downloads.

You can also check out our NETGEAR Community for helpful advice at community.netgear.com.

Regulatory and Legal

Si ce produit est vendu au Canada, vous pouvez accéder à ce document en français canadien à <https://www.netgear.com/support/download/>.

(If this product is sold in Canada, you can access this document in Canadian French at <https://www.netgear.com/support/download/>.)

For regulatory compliance information including the EU Declaration of Conformity, visit <https://www.netgear.com/about/regulatory/>.

See the regulatory compliance document before connecting the power supply.

For NETGEAR's Privacy Policy, visit <https://www.netgear.com/about/privacy-policy>.

By using this device, you are agreeing to NETGEAR's Terms and Conditions at <https://www.netgear.com/about/terms-and-conditions>. If you do not agree, return the device to your place of purchase within your return period.

Do not use this device outdoors. The PoE source is intended for intra building connection only.

Applicable to 6 GHz devices only: Only use the device indoors. The operation of 6 GHz devices is prohibited on oil platforms, cars, trains, boats, and aircraft, except that operation of this device is permitted in large aircraft while flying above 10,000 feet. Operation of transmitters in the 5.925-7.125 GHz band is prohibited for control of or communications with unmanned aircraft systems.

NETGEAR, Inc.
350 East Plumeria Drive
San Jose, CA 95134, USA

NETGEAR INTERNATIONAL LTD
Floor 1, Building 3
University Technology Centre
Curraheen Road, Cork,
T12EF21, Ireland