

Picture is for reference only

Micro Case

Divider 200 TG Air

User's Manual
Benutzerhandbuch
Mode d'emploi
Manual del usuario
Manuale dell'utente
Manual do Utilizador

安裝說明書
用戶手冊
ユーザーズマニュアル
Руководство пользователя
kullanıcı elkitabı
(EEE Yönetmeliğine Uygundur)
คู่มือการใส่



© 2021 Thermaltake Technology Co., Ltd. All Rights Reserved. 2021.07
All other registered trademarks belong to their respective companies. www.thermaltake.com



TT Premium



TT Premium

To continue achieving the corporate mission of delivering the perfect user experience, Thermaltake developed "TT Premium" with the essence of combining supreme quality products with a new logo design. TT Premium is far more than just a guarantee of quality. Behind the name, it represents the passion in DIY, Modding and Thermaltake's desire to be the most innovative brand in the PC hardware market. To satisfy the demand of the high-end PC users, TT Premium follows its core values of Excellent Quality, Unique Design, Diverse Combinations and Boundless Creativity to provide a high performance PC product for every enthusiast. <http://ttpremium.com>

Tt LCS-Liquid Cooling Support Certification



Tt LCS Certified is a Thermaltake exclusive certification applied to only products that pass the design and hardcore enthusiasts standards that a true LCS chassis should be held to. The Tt LCS certification was created so that we at Thermaltake can designate to all power users which chassis have been tested to be best compatible with extreme liquid cooling configurations to ensure you get the best performance from the best features and fitment.

Join Tt Community To Receive Benefits



Dear Valued Customer,
Thank you for choosing Thermaltake.
As a new user we value your thoughts and opinions and your feedback is important to us. We at Thermaltake would like to use this opportunity to invite you to join our Community Forums. Register today to start enjoying the full benefits of our community.



Benefits of being a member:

- Quick and responsive user support
- Receive help and advice with new builds
- Keep up to date with new product releases
- Share your thoughts and builds with the community
- Enter monthly contests and giveaways

Brand official website
<http://www.thermaltake.com/>

Global Facebook
<https://www.facebook.com/ThermaltakeInc>

Taiwan Facebook
<http://www.facebook.com/ThermaltakeTW>

Global community forums
<http://community.thermaltake.com>

CONTENTS


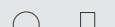

Chapter 1. Product Introduction

| | | |
|-----|--------------------------|----|
| 1.0 | Specification | 01 |
| 1.1 | Accessory | 02 |
| 1.2 | Warning and Notice | 03 |

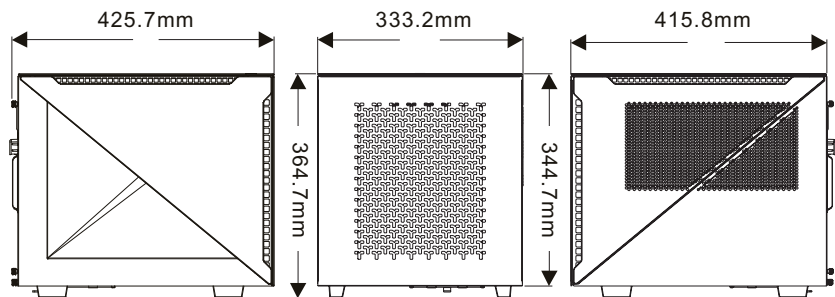
Chapter 2. Installation Guide

| | | |
|-----|--|----|
| 2.0 | Remove Components | 06 |
| 2.1 | Power Supply Unit (PSU) Installation | 07 |
| 2.2 | Motherboard Installation | 08 |
| 2.3 | 3.5" & 2.5" HDD Installation | 09 |
| 2.4 | PCI Card Installation | 11 |
| 2.5 | Air Cooling Installation | 12 |
| 2.6 | AIO Liquid Cooling Installation | 13 |
| 2.7 | I/O Connection | 14 |
| 2.8 | Bracket Installation | 15 |
| 2.9 | Remove Filters | 16 |

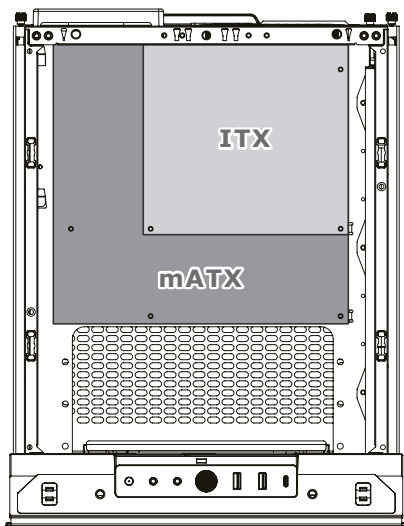
| | | |
|-------------------|--|---------------------------------|
| Model | Divider 200 TG Air | Divider 200 TG Air Snow Edition |
| Case Type | Micro Case | |
| Dimension (H*W*D) | 364.7 x 333.2 x 425.7 mm (14.4 x 13.1 x 16.8 inch) | |
| Side Panel | Tempered Glass x 2 | |
| Color | Black | White |
| Material | SPCC | |
| Cooling System | Front (intake) : 200 x 200 x 30 mm Standard fan (800rpm, 13 dBA) x 1 Rear (exhaust) : 120 x 120 x 25 mm fan (1000rpm, 16 dBA) x 1 | |
| Drive Bays | 3 x 3.5", 3 x 2.5" or 6 x 2.5" | |
| Expansion Slots | 5 | |
| Motherboards | 6.7" x 6.7" (Mini ITX), 9.6" x 9.6" (Micro ATX) | |
| I/O Port | USB 3.2 (Gen 2) Type-C x 1, USB 3.0 x 2, HD Audio x 1 | |
| PSU | Standard PS2 PSU (optional) | |
| Fan Support | Front: 2 x 120 mm, 1 x 120 mm 2 x 140mm, 1 x 140mm 1 x 200mm Right: 2 x 120 mm, 1 x 120 mm 2 x 140mm, 1 x 140mm Rear: 1 x 120 mm, 1 x 140mm Bottom: 2 x 120 mm, 1 x 120 mm | |
| Radiator Support | Front: 1 x 240mm, 1 x 120mm 1 x 280mm, 1 x 140mm Right: 1 x 240mm, 1 x 120 mm 1 x 280mm, 1 x 140mm Rear: 1 x 120 mm | |
| Clearance | CPU cooler height limitation: 185 mm VGA length limitation: 310mm (With 27mm radiator) 340mm (Without radiator) PSU length limitation: 180mm (With Bottom Fan) 200mm (Without Bottom Fan) | |

| Figure | Part Name | Q'ty | Use For |
|---|--------------------------|------|-------------------|
|  | Screw Ø5 x 10 mm | 12 | For Fan |
|  | Stand-off #6-32 x 6.5 mm | 2 | For Motherboard |
|  | Screw M3 x 6 mm | 18 | For 2.5" HDD |
|  | Screw #6-32 x 5 mm | 12 | For 3.5" HDD |
|  | Screw #6-32 x 5 mm | 9 | For Motherboard |
|  | Screw #6-32 x 6 mm | 4 | For PSU |
|  | Screw Ø3 x 6 mm | 6 | For 3.5" Tray |
|  | PSU Pad | 2 | For PSU |
|  | Buzzer | 1 | Motherboard Alarm |
|  | Zip Tie 150 mm | 7 | Cable Management |

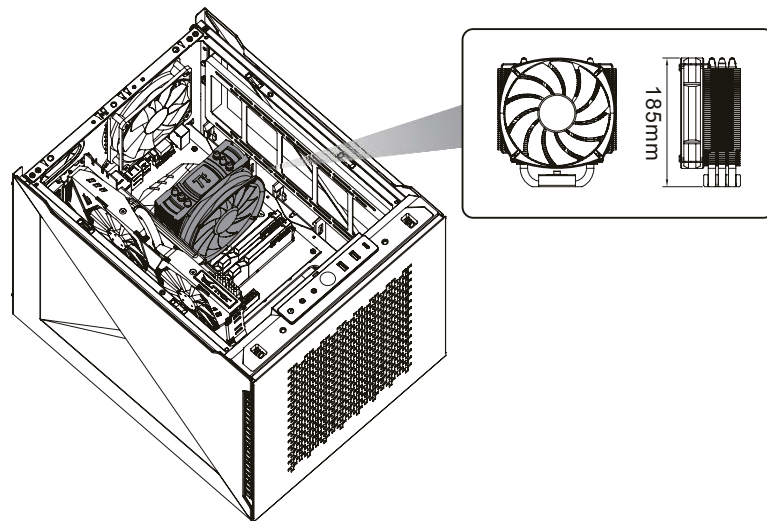
Chassis dimension



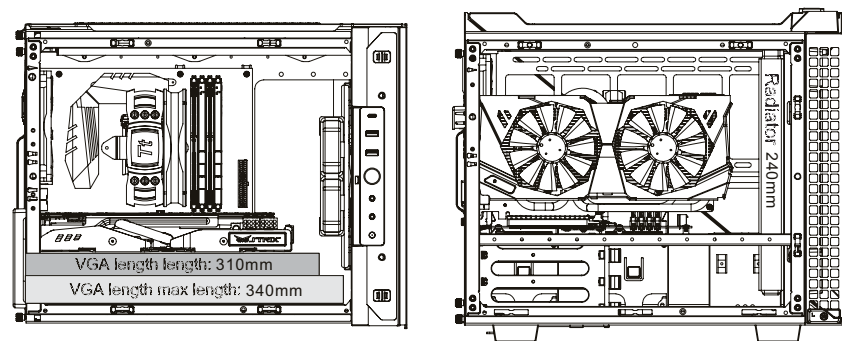
Motherboard Compatibility: ITX / mATX
(Up to 244mm wide)



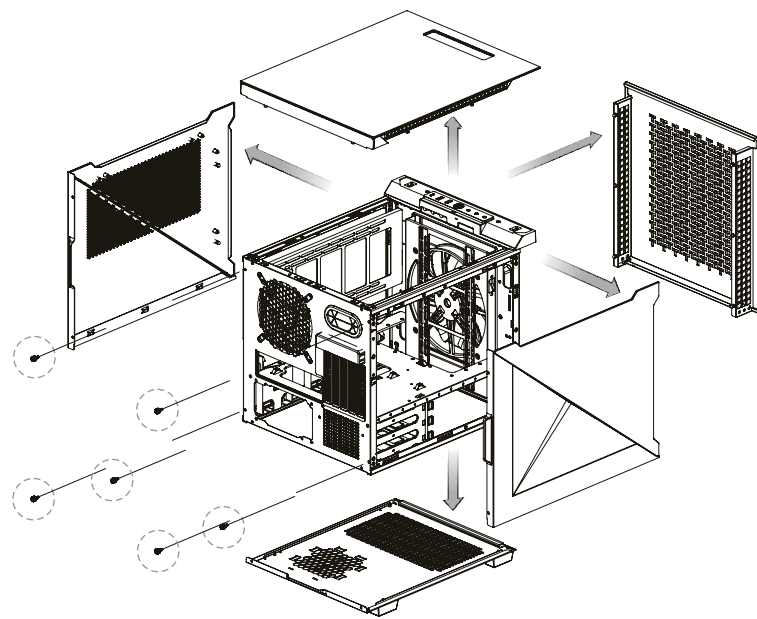
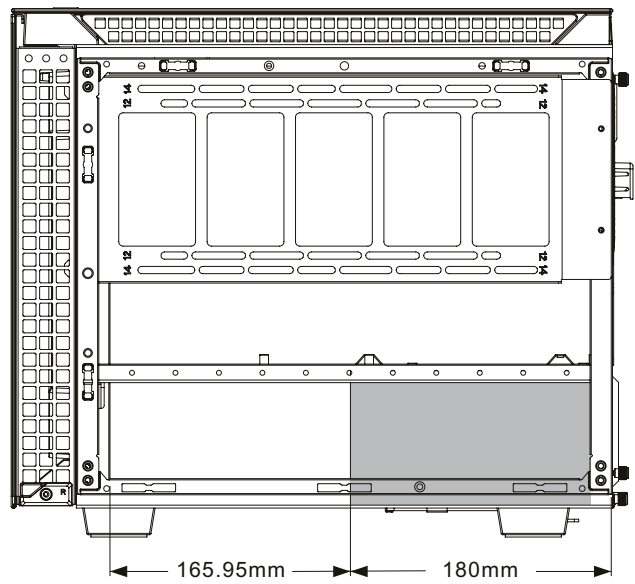
CPU cooler max height: 185mm

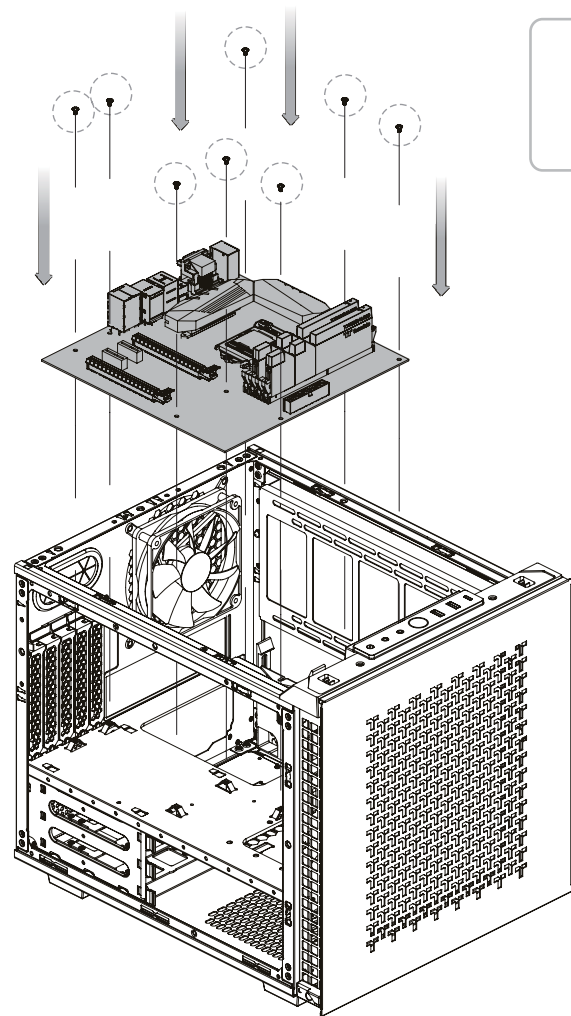
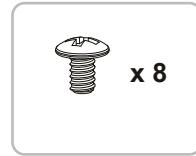
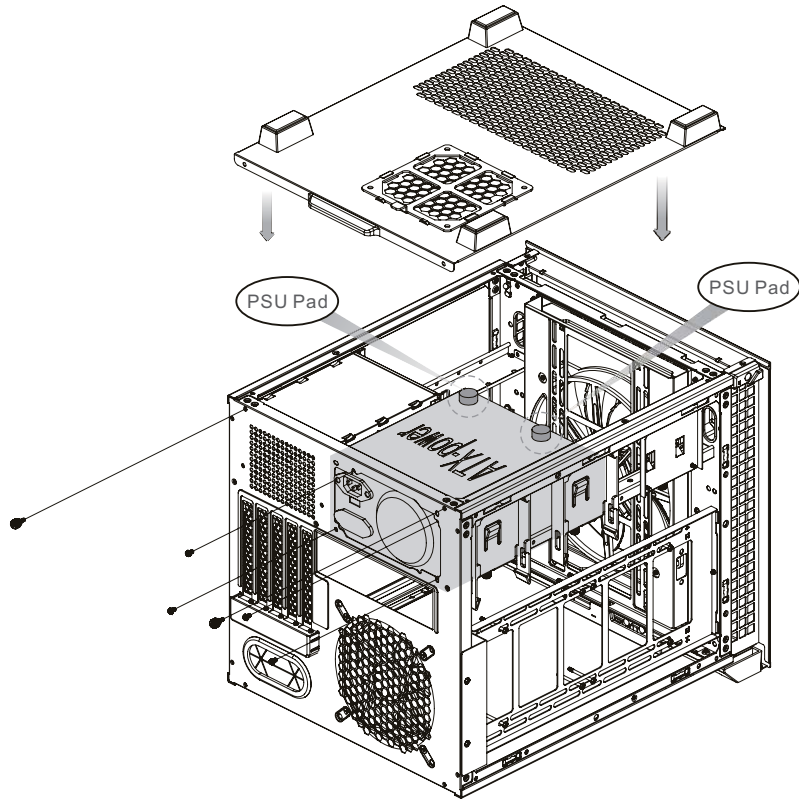
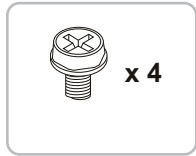


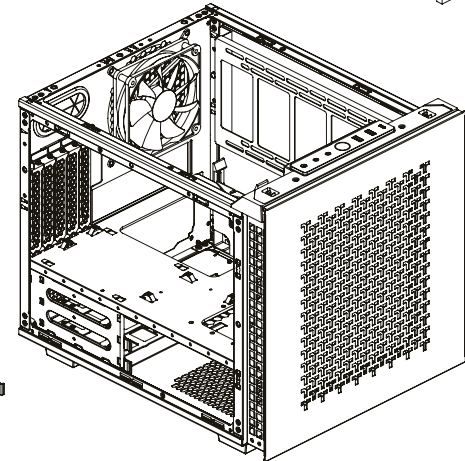
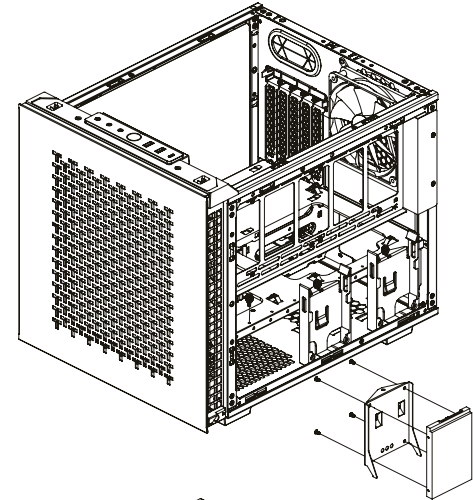
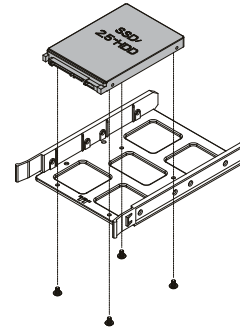
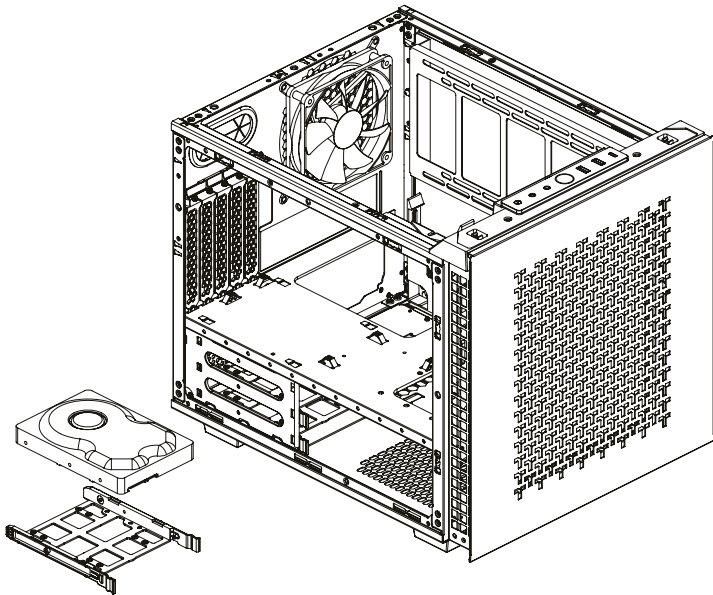
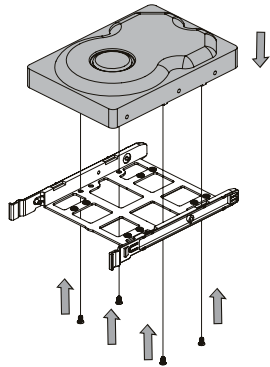
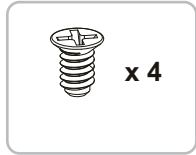
VGA length max length: 340mm

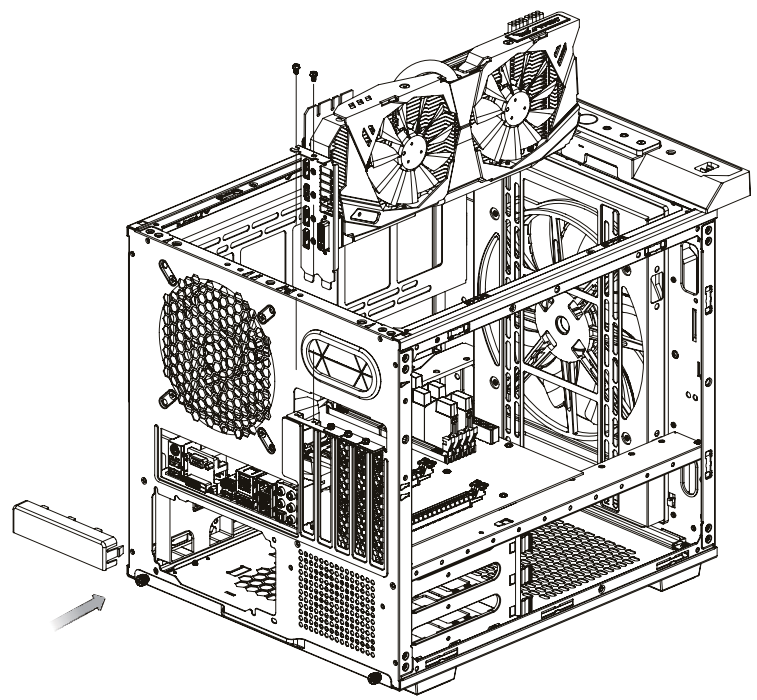


PSU max length: 180mm









Front

120mm x 2
or
140mm x 2
or
200mm x 1

Rear

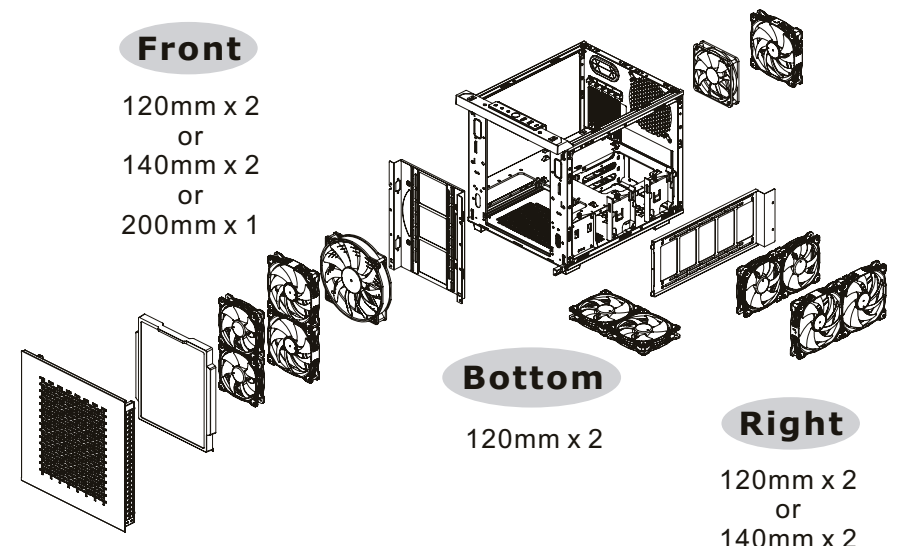
120mm x 1
or
140mm x 1

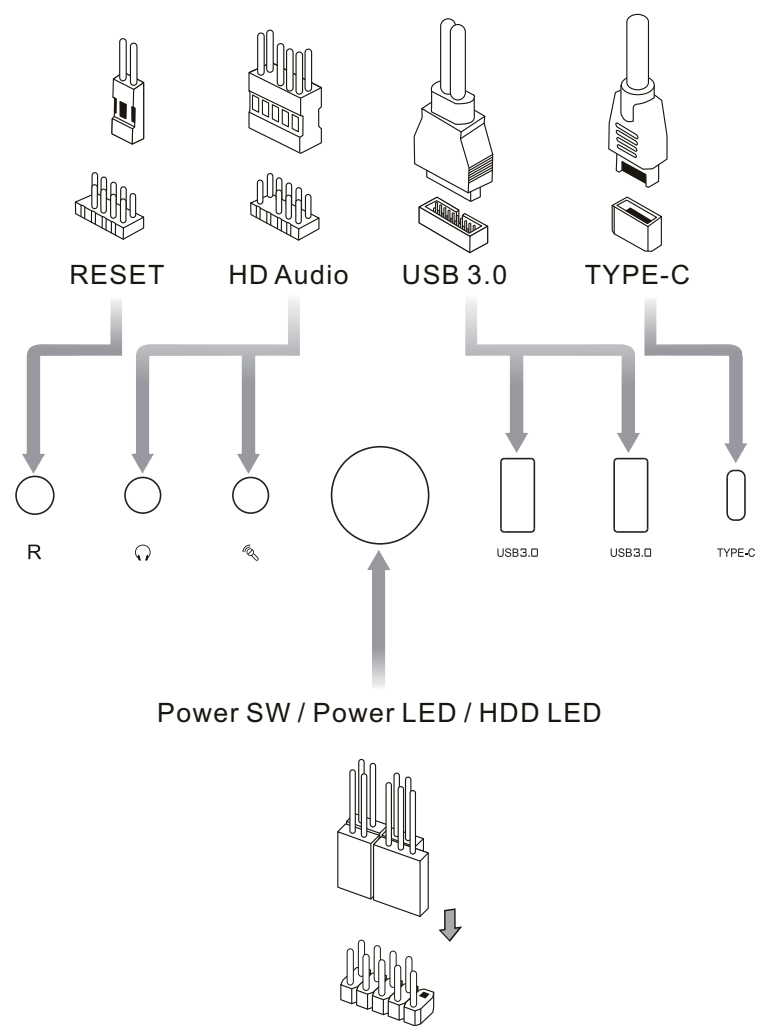
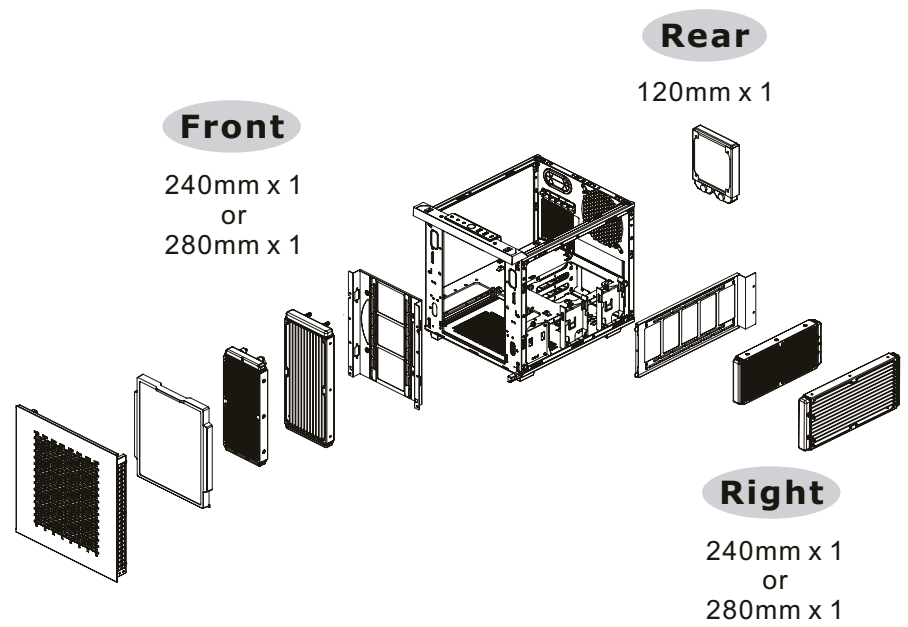
Bottom

120mm x 2

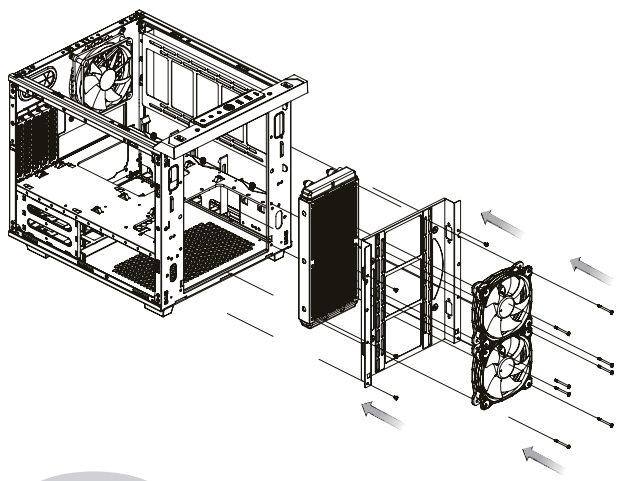
Right

120mm x 2
or
140mm x 2

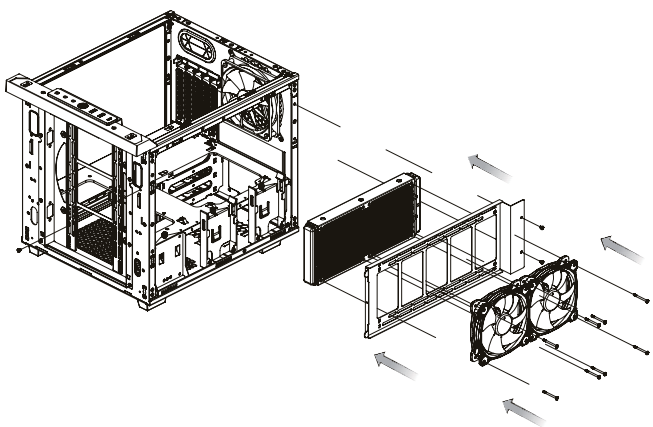




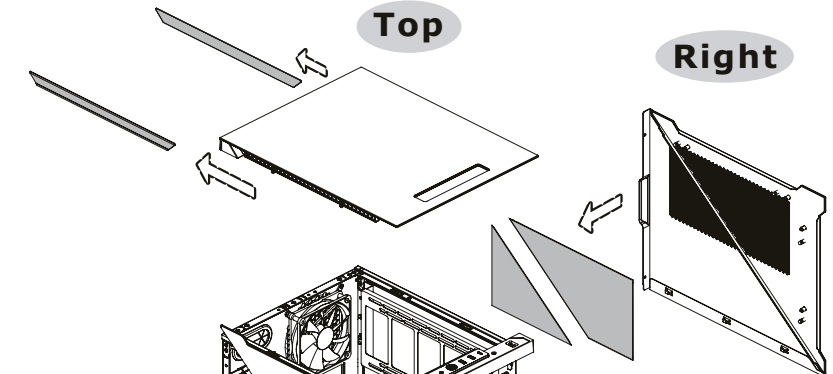
Front



Right

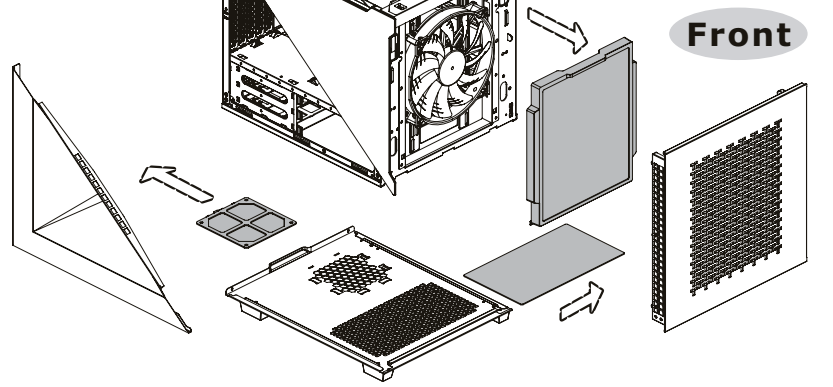


Top



Right

Front



Bottom