

INSTRUCTION SHEET  
**FORUM™**  
COLLABORATION SUITE



**NOTE:** Free standing and floor-to-wall models shown.

## THANK YOU

Thank you for purchasing a Forum™ collaboration suite. Please read these instructions thoroughly before installing or assembling this product.

**MIDDLE  
ATLANTIC®**  
A brand of **legrand™**  
100-00066 Rev B

## TABLE OF CONTENTS

|   |         |
|---|---------|
| Important Safety Instructions.....  | 3 - 4   |
| Weight Ratings.....   | 5       |
| Supplied Components and Hardware.....                                     | 5 - 7   |
| Required Tools.....   | 7       |
| Introduction.....   | 8       |
| Removing the Front Panel from Your Display Stand.....                     | 8       |
| Attaching the Display Stand to Your Wall (Floor-To-Wall Models Only)..... | 9 - 11  |
| Installing and Configuring the 10" Lever Lock Plate.....                  | 11      |
| Installing the Vertical Lever Lock Kit (if Purchased).....                | 12      |
| Using Top Small Device Storage and Bottom Rackmount Bays.....             | 13 - 14 |
| Re-Attaching the Front Panel to Your Display Stand.....                   | 14      |
| Selecting the Correct Interface Bracket Hardware for Your Display.....    | 14 - 15 |
| Attaching Interface Brackets to the Back of Your Display.....             | 15      |
| Attaching the Shroud and Mount to Your Display Stand.....                 | 16      |
| Hanging Your Display onto the Mount.....                                  | 17      |
| Assembling Your Table (if Purchased).....                                 | 17 - 19 |
| Understanding Cable Management.....                                       | 20      |
| Joining Arc Tables (if Purchased, Arc Tables Only).....                   | 20      |
| Installing Wiremold Modpower Options to Table (if Purchased).....         | 21      |
| Warranty.....   | 22      |

## IMPORTANT SAFETY INSTRUCTIONS

- Read these instructions.
- Heed all warnings.
- Clean only with dry cloth.
- Keep these instructions.
- Follow all instructions.
- Only use attachments/accessories specified by the manufacturer.



**DANGER HAZARDOUS VOLTAGE:** The lightning flash with the arrowhead symbol, within an equilateral triangle is intended to alert the user to the presence of uninsulated dangerous voltage within the product's enclosure that may be of sufficient magnitude to constitute a risk of electric shock to persons.



**WARNING:** A warning alerts you to a situation that could result in serious personal injury or death.



**CAUTION:** A caution alerts you to a situation that may result in minor personal injury or damage to the product and/or property.

**NOTE:** A note is used to highlight procedures pertaining to the installation, operation, or maintenance of the product.



**WARNING:** Failure to read, understand and follow the following information can result in serious personal injury, damage to the equipment or voiding of the warranty. It is the responsibility of the Installer/User to ensure that this product is loaded according to specifications.



**WARNING:** Middle Atlantic Products, electrical systems conform to and should be properly grounded in compliance with requirements of the current National Electrical Code or codes administered by local authorities. All electrical products may present a possible shock or fire hazard if improperly installed or used. Electrical products may bear the mark of a Nationally Recognized Testing Laboratory (NRTL) and should be installed in conformance with current local and/or the National Electrical Code.



**WARNING:** Exceeding the weight ratings listed can result in serious injury or damage to the equipment. It is the responsibility of the Installer/User to ensure the components installed do not surpass the weight ratings as an unstable condition can occur which may cause possible injury or damage.



**CAUTION:** If there is visible damage on the product, it must not be installed.



**CAUTION:** Safety measures must be practiced at all times during the assembly of this product. Use proper safety equipment and tools for the assembly procedure to prevent personal injury.



**CAUTION:** Note that during construction, there must be no possibility of personal injury, for example the squeezing of fingers or arms.



**CAUTION:** For loading, always put heavier items at the bottom of the bays, not near the top, in order to help prevent the possibility of the furnishing tipping over.



**CAUTION:** The appliance is not intended for use by young children or infirm persons without supervision.

### Safety Instructions: Rack Mount

**Elevated Operating Ambient:** If installed in a closed or multi-unit rack assembly, the operating ambient temperature of the rack environment may be greater than room ambient. Therefore, consideration should be given to installing the equipment in an environment compatible with the maximum ambient temperature (T<sub>ma</sub>) specified by the manufacturer.

**Reduced Air Flow:** Installation of the equipment in a rack should be such that the amount of air flow required for safe operation of the equipment is not compromised.

**Mechanical Loading:** Mounting of the equipment in the rack should be such that a hazardous condition is not achieved due to uneven mechanical loading.

**Circuit Overloading:** Consideration should be given to the connection of the equipment to the supply circuit and the effect that overloading of the circuit might have on overcurrent protection and supply wiring. Appropriate consideration of equipment nameplate ratings should be used when addressing this concern.

**Reliable Earthing:** Reliable earthing of rack-mounting equipment should be maintained. Particular attention should be given to supply connections other than direct connections to the branch circuit (e.g. use of power strips).

**Disconnect Device (Pluggable Equipment):** The socket-outlet shall be installed near the equipment and shall be easily accessible.

# INSTRUCTIONS IMPORTANTES SUR LA SÉCURITÉ

- Lire ces instructions.
- Respectez tous les avertissements.
- Nettoyer uniquement avec un chiffon sec.
- Conservez ces instructions.
- Suivez toutes les instructions.
- N'utilisez que des accessoires spécifiés par le fabricant.



**DANGER TENSION DANGEREUSE:** Le symbole de la pointe de flèche, dans un triangle équilatéral, est destiné à alerter l'utilisateur sur la présence de tension dangereuse non isolée dans l'enceinte du produit qui peut être d'une ampleur suffisante pour constituer un risque d'électrocution.



**AVERTISSEMENT:** Un avertissement vous avertit d'une situation pouvant entraîner des blessures graves ou la mort.



**ATTENTION:** Une attention vous avertit d'une situation pouvant entraîner des blessures mineures ou des dommages au produit et/ou à la propriété.

**REMARQUE:** Une remarque est utilisée pour mettre en évidence les procédures relatives à l'installation, au fonctionnement ou à l'entretien du produit.



**AVERTISSEMENT:** Refus de lire, comprendre et suivre la renseignements suivants peut traduire par de graves blessures, des dommages à l'équipement ou invalider la garantie. Il est la responsabilité de l'installateur/utilisateur de s'assurer que ce produit est chargé conformément aux spécifications.



**AVERTISSEMENT:** Les produits Middle Atlantic, les systèmes électriques sont conformes et doivent être correctement mis à la terre conformément aux exigences du Code national de l'électricité en vigueur ou aux codes administrés par les autorités locales. Tous les produits électriques peuvent présenter un risque d'électrocution ou d'incendie s'ils sont mal installés ou utilisés. Les produits électriques peuvent porter la marque d'un laboratoire d'essais reconnu au niveau national (NRTL) et doivent être installés conformément au code électrique local et/ou national en vigueur.



**AVERTISSEMENT:** Le dépassement des poids nominaux indiqués peut entraîner des blessures graves ou des dommages à l'équipement. C'est l'responsabilité de l'installateur/utilisateur de s'assurer que les composants installé ne dépassent pas les notes de poids comme un instable condition peut se produire qui peut causer des blessures ou dommages.



**ATTENTION:** S'il ya des dommages visibles sur le produit, il ne doit pas être installé.



**ATTENTION:** Des mesures de sécurité doivent être mises en œuvre en tout temps lors de l'assemblage de ce produit. Utiliser un équipement et des outils de sécurité appropriés pour la procédures de afin d'éviter les blessures.



**ATTENTION:** Notez que pendant la construction, il ne doit pas y avoir de risque de blessure, comme par exemple le écraser des doigts ou des bras.



**ATTENTION:** Pour le chargement, placez toujours des articles plus lourds au bas des baies, pas près du sommet, afin d'éviter la possibilité de basculement de l'ameublement.



**ATTENTION:** L'appareil n'est pas destiné à être utilisé par des enfants en bas âge ou des personnes infirmes sans surveillance.

**Consignes de sécurité:** montage en rack

**Température de fonctionnement élevée:** Si installé dans un rack fermé ou à unités multiples, la température ambiante de fonctionnement de l'environnement du rack peut être supérieure à ambiante de la pièce. Par conséquent, il faudrait envisager d'installer l'équipement dans un environnement compatible avec la température ambiante maximale (T<sub>ma</sub>) spécifiée par le constructeur.

**Réduction Air accréditives:** Installation de l'équipement dans un rack doit être telle que la quantité de flux d'air nécessaire au bon fonctionnement de l'équipement ne soit pas compromise.

**Chargement mécanique:** Le montage de l'équipement dans le rack doit être telle qu'une condition dangereuse ne lié à un chargement mécanique irrégulier.

**Surcharge des circuits:** Il faudrait envisager à la connexion de l'équipement au circuit d'alimentation et l'effet que la surcharge du circuit pourrait avoir sur la protection contre les surintensités et le câblage d'alimentation. Examen approprié des équipements évaluations de la plaque signalétique doit être utilisée pour traiter de cette préoccupation.

**Mise à la terre fiable:** Fiable mise à la terre de l'équipement de montage en rack doit être maintenue. Une attention particulière devrait être accordée aux connexions d'alimentation autres que les connexions directes vers le circuit de dérivation (par exemple de l'utilisation de bandes de puissance).

**Appareil Disconnect (Équipement Pluggable):** La prise de courant doit être installée à proximité du matériel et doit être facilement accessible.



## WEIGHT RATINGS

| Item  | Weight Rating  |
|---|--|
| Chief Fusion Fixed Display Mount Attached to the Forum Collaboration Suite Display Stand (Free Standing or Floor-to-Wall) | 150 lbs. (68 kg) Maximum Total Rated Load<br><b>NOTE:</b> The combined maximum total rated load of the mount installed on the stand must not exceed the total rated load indicated. This includes the mounting of any additional camera, soundbar/audio, and AV accessories on the stand or mount. |
| Display Stand's Bottom Rackmount Storage  | 50 lbs. (23 kg) Maximum Total Rated Load Per Bay   |
| Display Stand's Top Small Device Storage  | 25 lbs. (11 kg) Maximum Total Rated Load   |



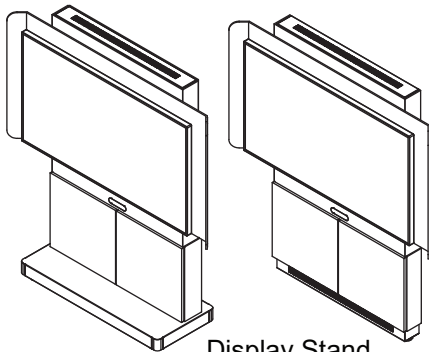
**WARNING:** This product is intended for use only with the products and maximum weights indicated. Use with other products or products heavier than the maximum weights indicated may result in instability causing possible injury. Total equipment weight must not exceed the amounts indicated on the previous table.



**AVERTISSEMENT:** Ce produit est destiné à être utilisé uniquement avec les produits et les poids maximum indiqués. L'utilisation avec d'autres produits ou produits plus lourds que le poids maximum indiqué peut entraîner une instabilité pouvant causer des blessures. Le poids total de l'équipement ne doit pas dépasser les quantités indiquées dans le tableau précédent.

## SUPPLIED COMPONENTS AND HARDWARE

If any pieces are missing or damaged, please report it immediately to Technical Support at [av.support@legrand.com](mailto:av.support@legrand.com) or (866) 977-3901.



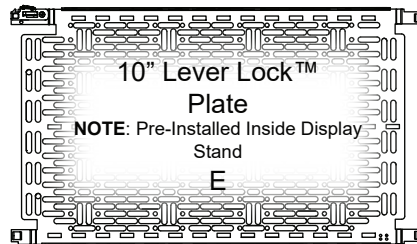
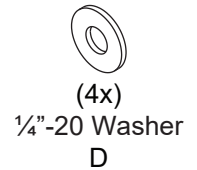
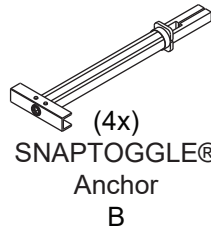
Display Stand

**NOTE:** Free Standing and Floor-to-Wall models, respectively.

A

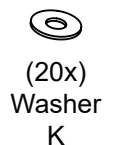
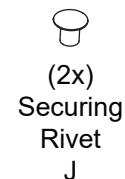
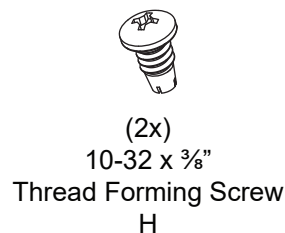
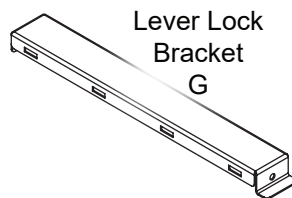
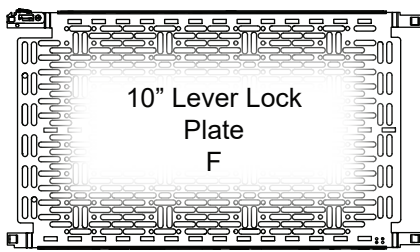
### CHIEF GRADE 5 TOGGLER KIT (Model Number: FCAT1)

**NOTE:** Floor-to-Wall Display Stand Models Only

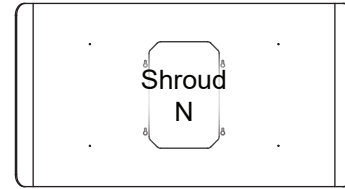
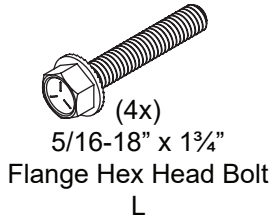


### VERTICAL LEVER LOCK KIT (IF PURCHASED)

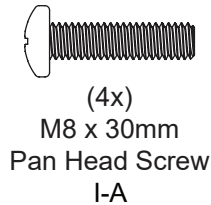
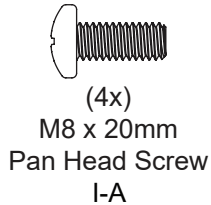
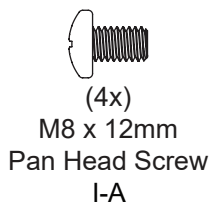
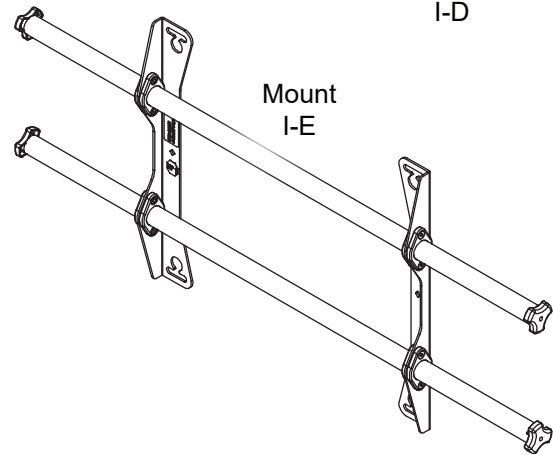
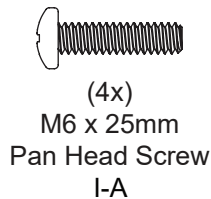
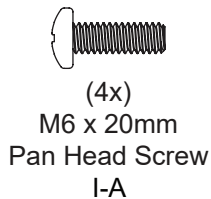
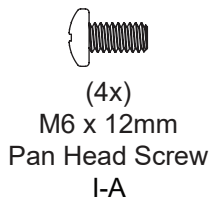
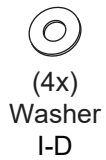
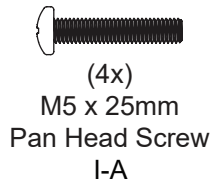
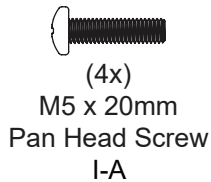
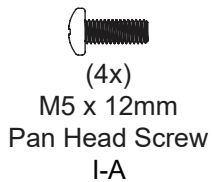
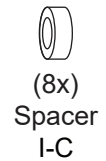
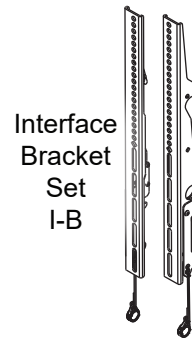
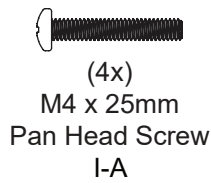
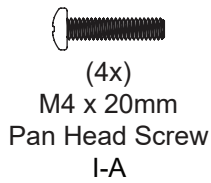
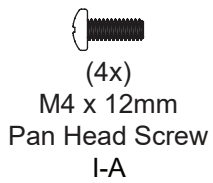
(Model Number: DSA-DW-LLKIT1)



# SUPPLIED COMPONENTS AND HARDWARE (CONTINUED)



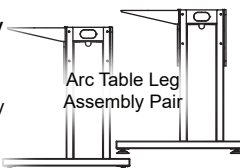
## CHIEF FUSION FIXED DISPLAY MOUNT



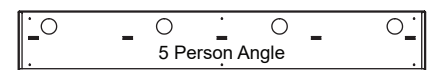
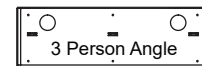
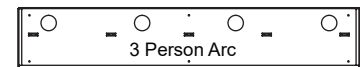
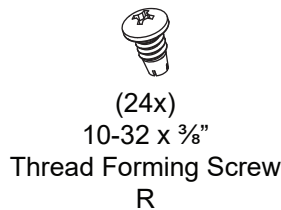
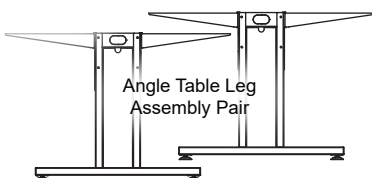
## 3 PERSON ARC, 3 PERSON ANGLE, OR 5 PERSON ANGLE TABLE (IF PURCHASED)

Table Leg Assembly  
Pair

- NOTE:**
- Arc and Angle leg assembly pairs shown.
  - Acoustic felt (PET) panels pre-assembled on each.



P



Trough

**NOTE:** Troughs for 3 Person Arc, 3 Person Angle, and 5 Person Angle models shown.

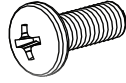
S

## SUPPLIED COMPONENTS AND HARDWARE (CONTINUED)

### 3 PERSON ARC, 3 PERSON ANGLE, OR 5 PERSON ANGLE TABLE (IF PURCHASED, CONTINUED)



(4x)  
10-32  
Flange Nut  
T



(4x)  
10-32 x 1/2" Pan  
Head Screw  
U

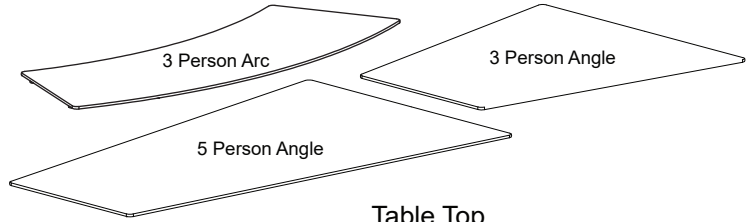


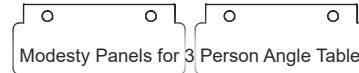
Table Top

NOTE: Available tables include 3 Person Arc, 3 Person Angle, and 5 Person Angle models shown.

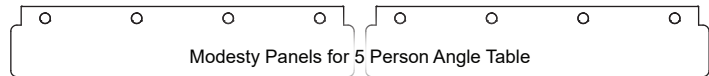
V



Modesty Panels for 3 Person Arc (Front and Back, Respectively)



Modesty Panels for 3 Person Angle Table

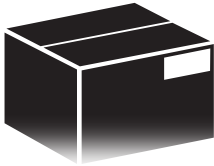


Modesty Panels for 5 Person Angle Table

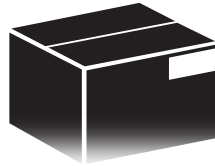
Modesty Panel  
Pair  
X



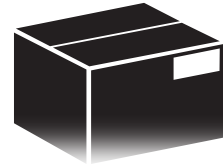
(12x)  
#8 x 5/16"  
Pan Head Phillips  
Sheet Metal Screws  
W



Wiremold On Surface  
Primary ModPower Unit (If Purchased)  
(Model Number: MDSA10-WH)



Wiremold On Surface  
Middle ModPower Unit (If Purchased)  
(Model Number: MDCA3-WH)



Wiremold On Surface  
End ModPower Unit (If Purchased)  
(Model Number: MDEA3-WH)

#### NOTE:

- To order more hardware, contact support at [av.support@legrand.com](mailto:av.support@legrand.com) or (866) 977-3901.
- Additional hardware is included that may not be required for your installation.

#### REQUIRED TOOLS

- Protective Eyewear
- Socket Wrench
- 5/16" Socket
- Power Driver
- 1/2" Drill Bit
- 7/16" Socket
- 3/32" Drill Bit
- #2 Phillips Bit
- #2 Phillips Screwdriver
- Toothpick or Small Straw
- Adjustable Wrench
- 1/2" Socket
- Awl
- 3/4" Socket



**WARNING:** Use tools with caution and follow all necessary safety protocols.  
**AVERTISSEMENT:** Utiliser des outils avec prudence et suivre tous les protocoles de sécurité nécessaires.

## INTRODUCTION

### NOTE:

- Please take the time to carefully unpack and inspect all of the products you ordered and save this instruction sheet for future use.
- Maintenance and care information is provided in Care and Cleaning of Products (I-00788) and Unpacking and Handling Precautions (I-00787) for your convenience.
- All documents may be accessed at [www.legrandav.com](http://www.legrandav.com).

Your Forum™ collaboration suite configuration may include a free-standing display stand, a floor-to-wall display stand, additional Lever Lock™ kit, and/or a table equipped with optional Wiremold ModPower™ modular power units.

Use the topics in this instruction sheet in order of appearance and only include applicable sections based on any additional Forum items you may have purchased. Topics cover attaching the floor-to-wall display stand to your wall, the configuration of additional Lever Lock plates brackets and panels, table assembly, and cable management with or without ModPower units.

You'll also find content and additional reference covering the included Chief Fusion Fixed Display Mount and any optional Wiremold On Surface Primary (MDSA10-WH), Middle (MDCA3-WH), and End (MDEA3-WH) ModPower™ Units you may have purchased for your optional table(s).

For more information, refer to the following Forum product page at [www.legrandav.com](http://www.legrandav.com):

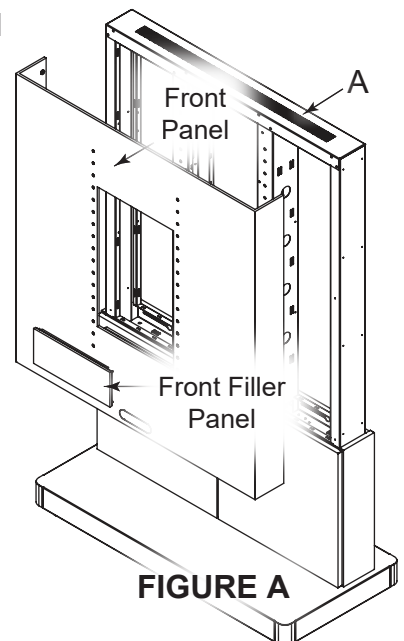
[https://www.legrandav.com/Products/Technical\\_Furniture/Collaboration/Forum\\_Collaboration\\_Suite](https://www.legrandav.com/Products/Technical_Furniture/Collaboration/Forum_Collaboration_Suite)

## REMOVING THE FRONT PANEL FROM YOUR DISPLAY STAND

1. Use socket wrench and 5/16" socket to remove (4x) 10-32 nuts (accessed through the front opening and located inside the display stand columns) from studs on the front filler panel and carefully set aside panel and nuts for re-installation. **(FIGURE A)**
2. Carefully tug at the magnetic sides of the front panel to remove it from the display stand frame and set aside front panel for re-installation.

### NOTE:

- Any indentations made to the acoustic felt (PET) material of the front or filler panel may be removed by applying steam.
- Remove dust and debris from panels with a clean, soft, lint-free cloth or vacuum.
- Bleach and cleaning agents are not recommended, as they may discolor the material.



## ATTACHING THE DISPLAY STAND TO YOUR WALL (FLOOR-TO-WALL MODELS ONLY)

**WARNING:** This procedure requires at least one additional person.  
**AVERTISSEMENT:** Cette procédure nécessite au moins une personne supplémentaire.

1. Carefully team lift your display stand (A) and place it on its feet against your desired mounting wall.

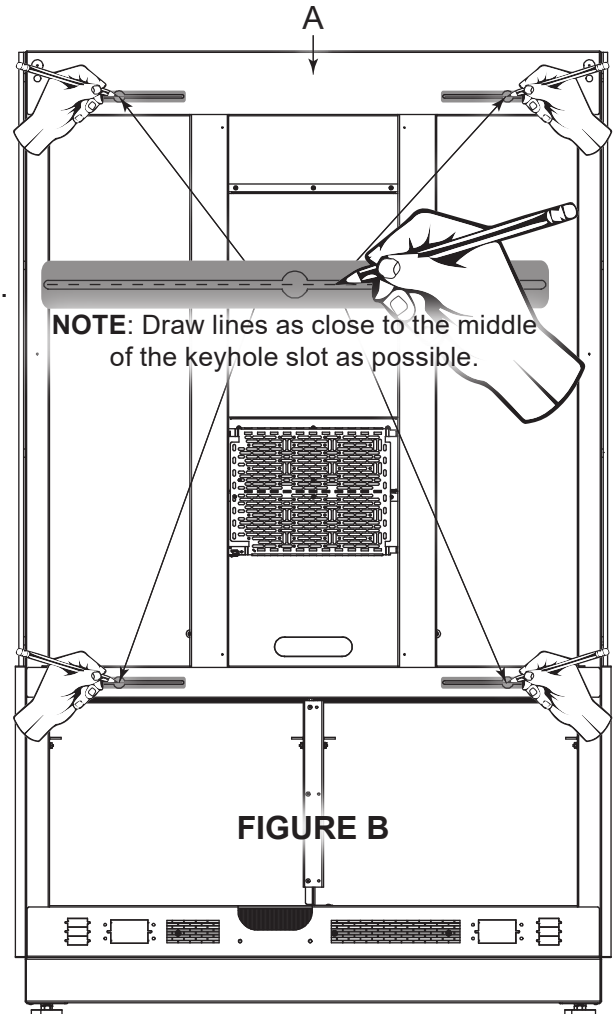
**WARNING:** The display stand must always bear its weight on its feet when wall mounted.  
**AVERTISSEMENT:** Le présentoir doit toujours supporter son poids sur ses pieds lorsqu'il est fixé au mur.

**NOTE:** Consider power receptacles on the wall and power requirements when positioning your display stand.

2. Use a pencil to draw horizontal lines on your wall from the center of the top and bottom keyhole slots (shaded) of the display stand. (**FIGURE B**)
3. With the display stand still on the wall, mark your desired keyhole slot drilling locations along top and bottom keyhole slot lines (drawn during previous step) as shown.
4. Carefully team lift your display stand away from the wall.

### NOTE:

- If securing to a wall with steel or wood studs, use a pencil and a stud finder to align your keyhole slot drilling locations along top and bottom keyhole slot lines (drawn during step 2) to hit the studs.
- If you are not securing your display stand into steel studs using the provided SNAPTOGGLE® anchors (C), and instead are going into wood studs, you must provide your own lag bolt hardware that meets the appropriate weight ratings specified in "Weight Ratings" on page 5.
- If you are not securing your display stand into cinderblocks using the provided SNAPTOGGLE anchors (B), and instead are going into a solid concrete wall, you must also provide your own concrete anchor hardware meeting the appropriate weight ratings specified.



**WARNING:** Customer-provided mounting hardware must be used on all four keyhole slot locations when securing the display stand to any wall type and the unit must be set on the ground.  
**AVERTISSEMENT:** Le matériel de montage fourni par le client doit être utilisé sur les quatre emplacements des trous de serrure lors de la fixation du support d'affichage à tout type de mur et l'unité doit être placée sur le sol.

**WARNING:** When securing to a wall with steel or wood studs, your mounting hardware must hit the stud through both top and bottom keyhole slot locations on at least one side of your display stand for proper support.  
**AVERTISSEMENT:** Lors de la fixation à un mur avec des montants en acier ou en bois, votre matériel de montage doit toucher le montant à travers les emplacements des fentes en trou de serrure supérieur et inférieur sur au moins un côté de votre présentoir pour un support approprié.

## ATTACHING THE DISPLAY STAND TO YOUR WALL (IF PURCHASED, CONTINUED)

5. The remaining sections of this topic show you how to attach the display stand to your specific wall type as follows:

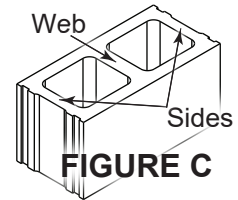
- “Attaching the Display Stand to a Wall With Steel Studs or Cinderblocks” on page 10.
- “Attaching the Display Stand to a Wall With Wood Studs” on page 11.
- “Attaching the Display Stand to a Solid Concrete Wall” on page 11.

**NOTE:** If your installation requires additional measurements and details, refer to the technical specification (120-00027) at [www.legrandav.com](http://www.legrandav.com).

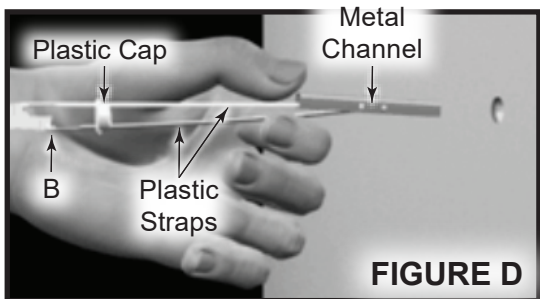
### Attaching the Display Stand to a Wall With Steel Studs or Cinderblocks

**NOTE:** Adjust torque on power driver to the “drill” setting.

1. Use power driver and ½” drill bit to drill holes in all the marked keyhole slot locations. You must hit wall studs (where applicable) in top and bottom keyhole slots on at least one side of the display stand for proper support.



**NOTE:** If securing to cinderblocks, avoid drilling into webs and sides as shown. (FIGURE C)



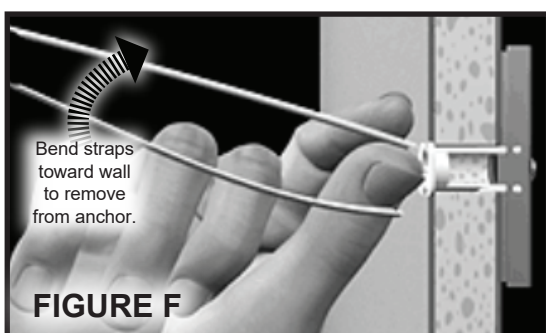
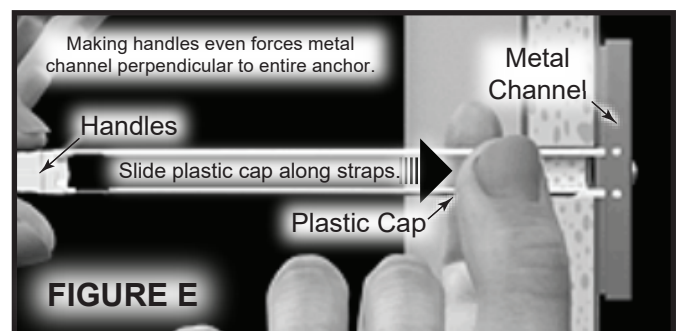
2. Insert SNAPTOGGLE® anchor (B) into a hole by holding the metal channel flat alongside the plastic straps and sliding the channel through the hole as shown. (FIGURE D)
3. Make the plastic strap handles even to force the metal channel perpendicular to the entire anchor. (FIGURE E)
4. Secure the anchor by firmly sliding the plastic cap along the straps until the flange of the cap is flush with the wall.

5. Snap off plastic straps from the anchor by carefully bending them toward the wall. (FIGURE F)

6. Repeat steps 2 - 5 to insert SNAPTOGGLE anchors (B) into all of your keyhole slot location holes drilled during step 1.

**NOTE:** Adjust torque on power driver to lightest setting and only increase as necessary.

7. Team lift the display stand and place it against your mounting wall aligning keyhole slots with the prepared holes and anchors.



8. Place a level on the top center of your display stand and make any final adjustments to the leveling feet (by carefully team tilting the display stand) as necessary.
9. Use power driver, 7/16” socket, (4x) ¼”-20 x 2½” bolts (C) and (4x) ¼” washers (D) through keyhole slots and into the anchors to secure the stand to your wall.



## ATTACHING THE DISPLAY STAND TO YOUR WALL (IF PURCHASED, CONTINUED)

### Attaching the Display Stand to a Wall With Wood Studs

**NOTE:** Adjust torque on power driver to the “drill” setting.

1. Use protective eyewear, power driver, and 3/32” drill bit to drill holes in all the marked keyhole slot locations. You must hit wall studs in top and bottom keyhole slots on at least one side of the display stand for proper support.

**NOTE:** Adjust torque on power driver to lightest setting and only increase as necessary.

2. Team lift the display stand and place it against your mounting wall aligning keyhole slots with the prepared holes and anchors.
3. Place a level on the top center of your display stand and make any final adjustments to the leveling feet (by carefully team tilting the display stand) as necessary.
4. Use power driver, 7/16” socket, (4x) 1/4” x 2 1/2” lag bolts (not provided), and (4x) 1/4” washers (D) through keyhole slots and into the drilled holes to secure the stand to your wall.

### Attaching the Display Stand to a Solid Concrete Wall

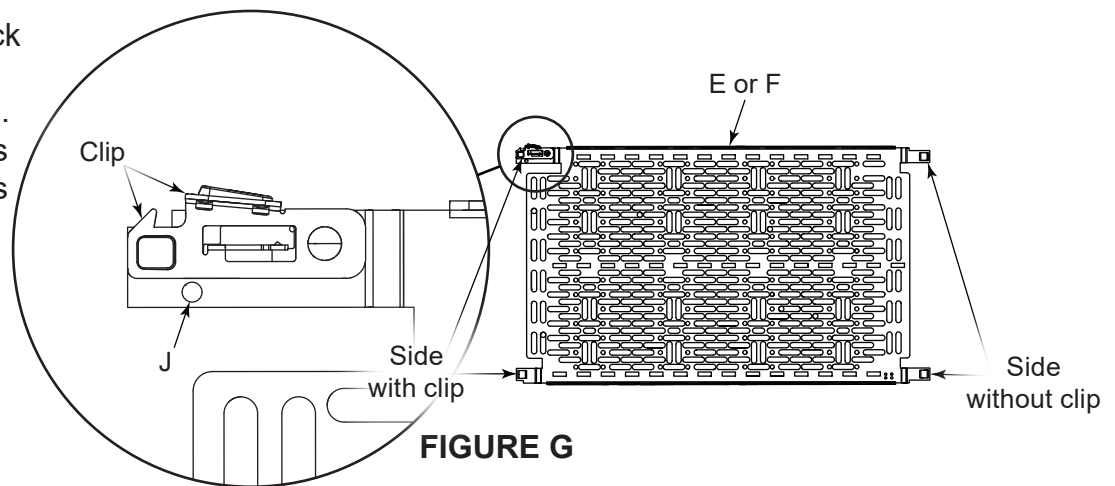
**NOTE:** When securing your display stand (A) to a solid concrete wall, you must provide your own concrete anchors that support the weight ratings specified in “Weight Ratings” on page 5.

Secure your display stand (A) to a solid concrete wall by using a procedure similar to “Securing the Display Stand to a Wall With Steel Studs or Cinderblocks” on page 10.

## INSTALLING AND CONFIGURING THE 10” LEVER LOCK PLATE

**NOTE:** One 10” Lever Lock plate is pre-installed inside of the display stand. A Vertical Lever Lock kit is also available that includes an additional 10” Lever Lock plate.

For more information, contact support at [av.support@legrand.com](mailto:av.support@legrand.com) or (866) 977-3901.



**FIGURE G**

1. Press the clip and lift the same side of the 10” plate from the display stand column. (**FIGURE G**)
2. Reverse the steps (inserting the 10” plate tabs on the side without the clip first) to re-install the 10” plate to a new location inside the display stand, if desired.
3. Insert securing rivets (J) on the tab beneath the clip of the 10” plate to lock it in place.

**TIP:** If necessary, you can remove the securing rivet by pushing its tip end out of the hole with a small screwdriver, and then pulling by hand at the rivet’s head.

## INSTALLING THE VERTICAL LEVER LOCK KIT (IF PURCHASED)

### NOTE:

- One 10" Lever Lock plate (F), bracket (G), (2x) screws (H), (6x) securing rivets (J), and (20x) washers (K) are provided with a Vertical Lever Lock kit, if purchased.
- The 4 available mounting locations on the left and right columns of the display stand's small device storage area are for vertical Lever Lock and are shaded in the figure for clarity.

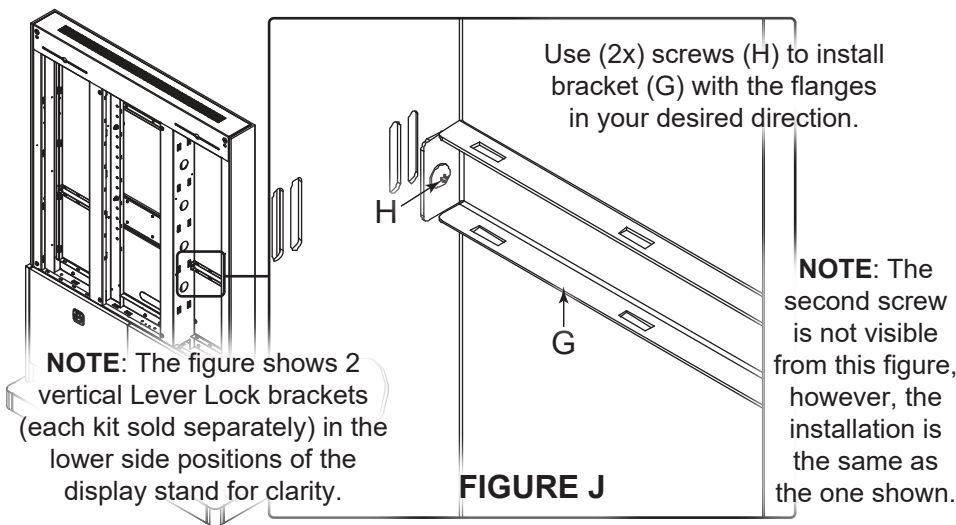
### (FIGURE H)

- Lever Lock brackets and plates may be installed to face the front or the back of the display stand.
- Adjust torque on power driver to lightest setting and only increase as necessary.

1. Use power driver, Phillips bit and (2x) 10-32 x  $\frac{3}{8}$ " thread forming screws (H) to attach brackets (G) into one of the 4 positions along the left and right columns on your display stand as shown.

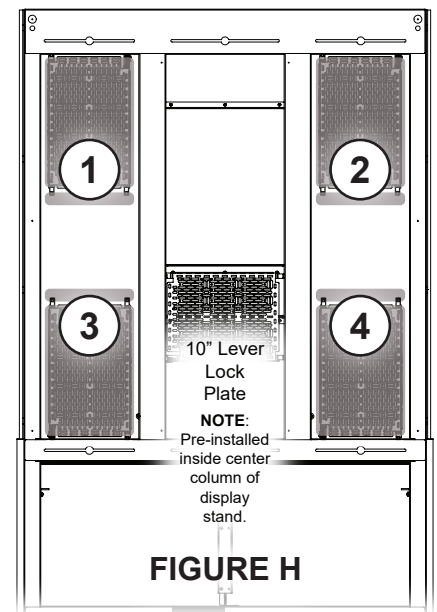
### (FIGURE J)

**NOTE:** Figure J shows 2 vertical Lever Lock brackets (each kit sold separately) installed in the lower sides of the display stand for clarity.



3. Insert securing rivets (J) on the tab beneath the clip of the 10" plate to lock it in place.

**NOTE:** Use (20x) washers (K) for equipment mounting convenience.



**NOTE:** Bare frame of display stand (free-standing pictured) shown for clarity.

2. Attach the 10" Lever Lock plate (F) by inserting the side with the 2 tabs and no securing clip first.

Insert the tabs into the corresponding openings on the bracket or the display stand.

Then, install the side with the clip. See Figure G on page 11 for more information.

**(FIGURE G)**

## USING TOP SMALL DEVICE STORAGE AND BOTTOM RACKMOUNT BAYS

1. Load equipment into the top small device storage columns using “Installing and Configuring the 10” Lever Lock Plate” on page 11 and “Installing the Lever Lock Kit (If Purchased)” on page 12 as needed. **(FIGURE K)**
2. Run cabling using knockouts between the top small device storage columns and the bottom rackmount bays as necessary.

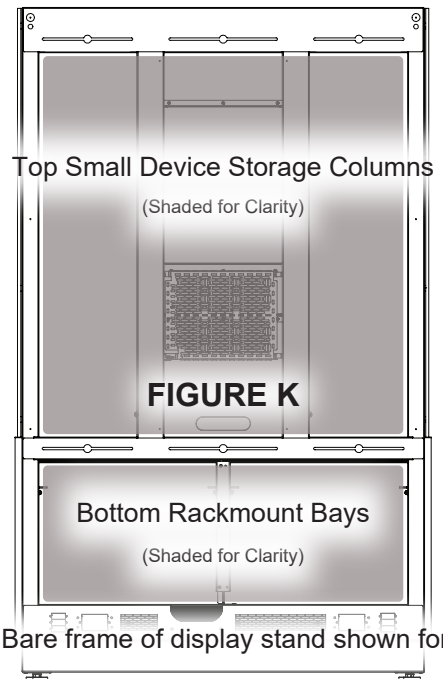
**FLOOR-TO-WALL DISPLAY STANDS ONLY:** You must load any components into the top small device storage columns and the bottom rackmount bays at this point in the overall installation and configuration process because you won't have access to these areas after re-installing the front panel and mounting your display.

3. Carefully push outward on the front doors covering the bottom rackmount bays to open them and load

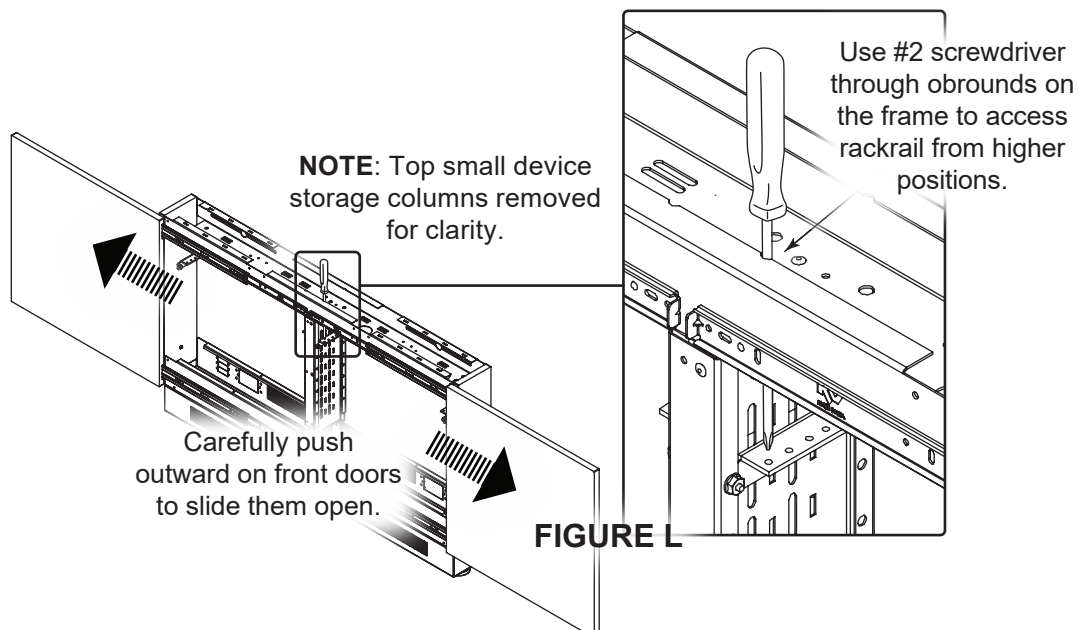
**NOTE:**

- Each bottom rackmount bay on all display stand models includes 2RU fixed rackrail pairs for device storage that may be re-positioned in 7 vertical 1.5” (38mm) increments.
  - Adjust torque on power driver to lightest setting and only increase as necessary.
4. Use power driver and a 5/16” socket to remove the 10-32 nuts, re-position the brackets to the same height, and re-install the nuts as necessary.
  5. Attach devices to the rackrail using a #2 screwdriver and your own rack screws.

**NOTE:** If using the rackrails in higher bay positions, attach your rack screws using your screwdriver through the obrounds on the frame as shown.



**NOTE:** Bare frame of display stand shown for clarity.



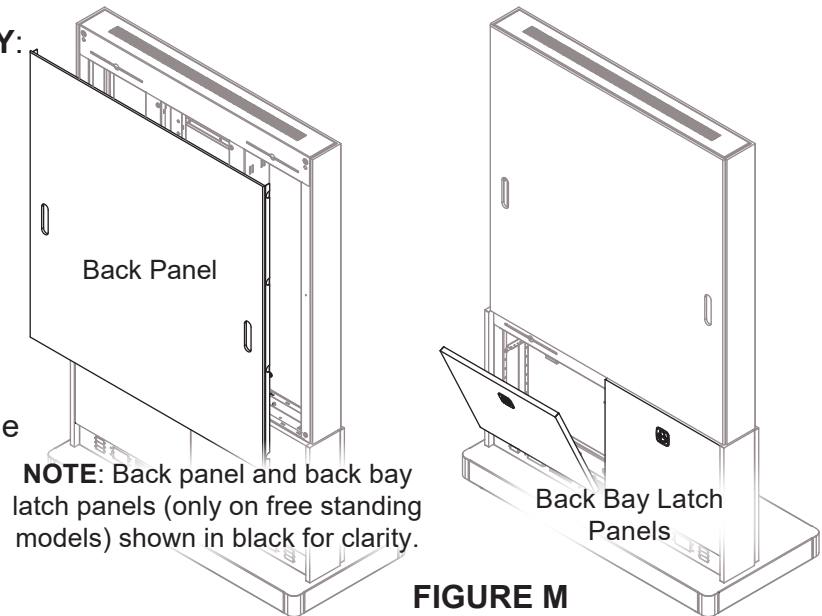
## USING TOP SMALL DEVICE STORAGE AND BOTTOM RACKMOUNT BAYS (CONTINUED)

### FLOOR-TO-WALL DISPLAY STANDS ONLY:

- Access to the bottom rackmount bays is only available from the the front doors after re-installing the front panel and mounting your display.
- The useable equipment depth of the bottom rackmount bays in a floor-to-wall display stand is 16" (423mm).

### FREE STANDING DISPLAY STANDS ONLY:

- Equipment may be loaded into either the top small device storage columns and into the bottom rackmount bays at any point during the overall installation and configuration process. In addition to front door access to the bottom rackmount bays, you can also access both the top small device storage and bottom rackmount bays from the back by carefully tugging at the magnetic sides of the back panel and opening back bay latch panels, respectively. **(FIGURE M)**
- The useable equipment depth of the bottom rackmount bays in a free standing display stand is 12" (329mm).



## RE-ATTACHING THE FRONT PANEL TO YOUR DISPLAY STAND

- Carefully re-install both the front panel and the front filler panel by reversing the steps in “Removing the Front Panel from Your Display Stand” on page 8.

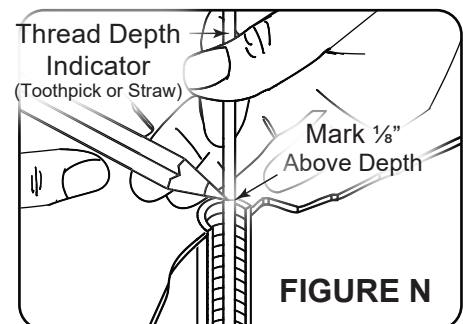
### NOTE:

- If indentations have formed on the acoustic felt (PET) material of panels during re-attachment, apply steam to remove.
- Clean dust and debris from panels with a clean, soft, lint-free cloth or vacuum.
- Bleach and cleaning agents are not recommended, as they may discolor the material.

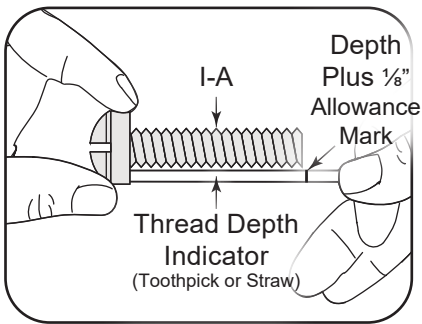
## SELECTING THE CORRECT INTERFACE BRACKET HARDWARE FOR YOUR DISPLAY

**NOTE:** The interface hardware kit provided includes different pan head screws (I-A) to accommodate the threaded inserts on the back of most displays. This topic helps you select the correct size pan head screw length for your display.

1. Use a toothpick or small straw as a thread depth indicator and insert it into a threaded insert on the back of your display.
2. With the toothpick or straw fully inserted, use a pencil to mark it at  $\frac{1}{8}$ " above the surface as shown. **(FIGURE N)**



## SELECTING CORRECT INTERFACE BRACKET HARDWARE FOR DISPLAY (CONTINUED)



3. Select a pan head screw (I-A) size that is shorter in length than the  $\frac{1}{8}$ " mark you made on your thread depth indicator. (FIGURE P)



**CAUTION:** Only use screws shorter than the  $\frac{1}{8}$ " mark or damage to the display may occur.

**ATTENTION:** N'utilisez que des vis plus courtes que la marque  $\frac{1}{8}$ " ou vous risquez d'endommager l'écran.

FIGURE P

## ATTACHING INTERFACE BRACKETS TO THE BACK OF YOUR DISPLAY

**NOTE:** You may need to install any additional accessories you may have purchased such as compatible camera mounts, sound bars and other audio products (available from Legrand or other providers) before your display mount and display. Before proceeding, refer to the instructions provided with your accessory for the proper installation order.

1. Carefully place your display facedown onto an appropriate work surface.

**NOTE:** Center the interface brackets (I-B) on your display so they do not extend past the top or bottom.

2. Determine the correct size pan head screws for attaching the interface brackets to your display. For more information, see the previous topic.

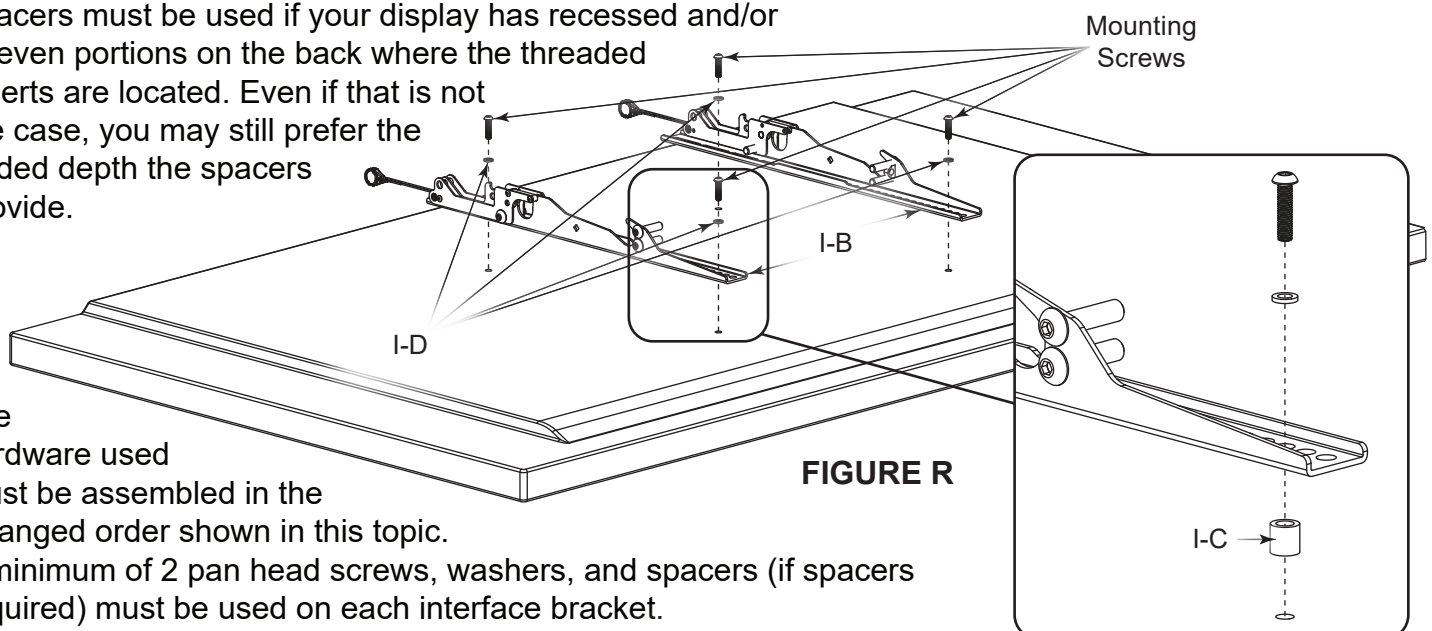
3. Determine if spacers (I-C) are required when attaching the interface brackets to the back of your display.

**NOTE:** Adjust torque on power driver to lightest setting and only increase as necessary.

4. Use a power driver, #2 Phillips bit, (4x) spacers (I-C, if required), (4x) washers (I-D), and (4x) correct length pan head screws to attach the interface brackets to the back of your display as shown. (FIGURE J)

**NOTE:**

- Spacers must be used if your display has recessed and/or uneven portions on the back where the threaded inserts are located. Even if that is not the case, you may still prefer the added depth the spacers provide.



- The hardware used must be assembled in the arranged order shown in this topic.

- A minimum of 2 pan head screws, washers, and spacers (if spacers required) must be used on each interface bracket.

FIGURE R



## ATTACHING THE SHROUD AND MOUNT TO YOUR DISPLAY STAND

1. Use your hand to loosely attach (2x) 5/16-18" x 1 3/4" flange hex head bolts (L) to (2x) 5/16-18" flange nuts (M, approximately 2-3 thread rotations) through the front panel and into your chosen top 2 locations on the display stand assembly as shown. (FIGURE S)

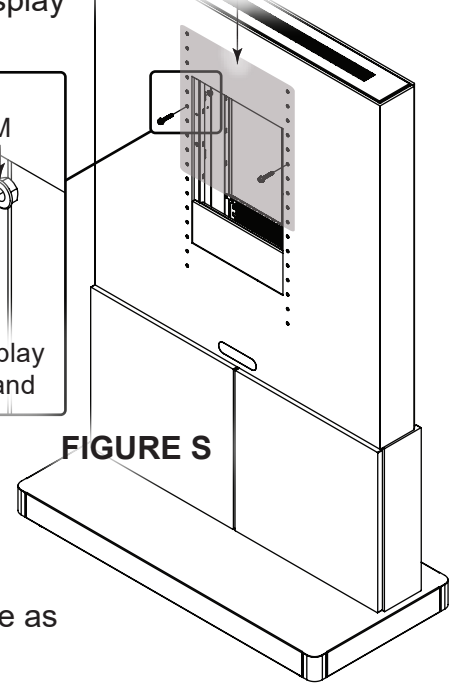
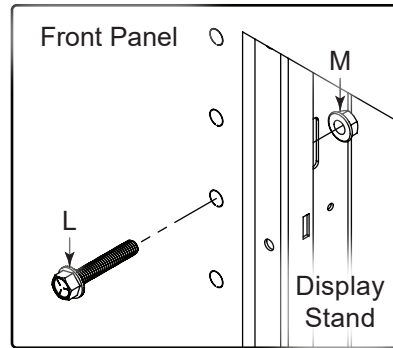
**NOTE:** Select from top 10 hole pairs (shaded) for preferred display height.

**NOTE:** Select from the top 10 hole pairs on the display mount for the top bolts and nuts to determine your preferred display height.



**WARNING:** This procedure requires at least one additional person.

**AVERTISSEMENT:** Cette procédure nécessite au moins une personne supplémentaire.

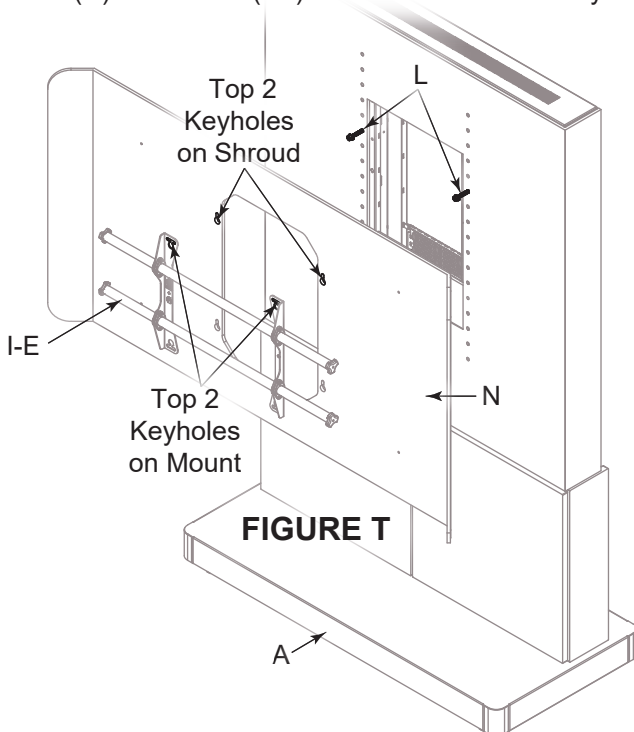


2. Carefully thread the bolt heads on the top 2 loosely attached bolts through the corresponding keyholes on the shroud (N), and then the mount (I-E) as shown. (FIGURE T)

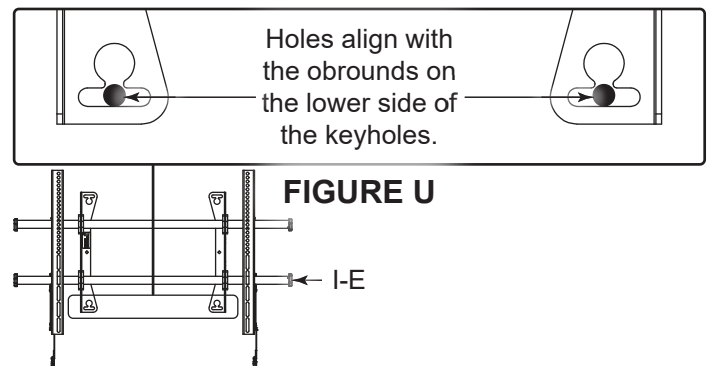
**NOTE:** Adjust torque on power driver to lightest setting and only increase as necessary.

3. Use adjustable wrench on the top 5/16-18" flange nuts (M) while using power driver and 1/2" socket to tighten the corresponding 5/16-18" x 1 3/4" flange hex head bolts (L). Do not overtighten.

**NOTE:** Top 2 hex bolts (L) and keyholes on shroud (N) and mount (I-E) shown in black for clarity.



4. Use your hand to thread (2x) 5/16-18" x 1 3/4" flange hex head bolts (L) through the obrounds on the lower side of the bottom 2 keyholes on the mount (I-E), through corresponding holes on the shroud, and into the display mount. (FIGURE U)



5. Use adjustable wrench on both bottom 5/16-18" flange nuts (M) while using power driver and 1/2" socket to tighten corresponding 5/16-18" x 1 3/4" flange hex head bolts (L). Do not overtighten.



## HANGING YOUR DISPLAY ONTO THE MOUNT

**WARNING:** This procedure requires at least one additional person.  
**AVERTISSEMENT:** Cette procédure nécessite au moins une personne supplémentaire.

1. With at least one other person, carefully lift your display slightly above both top and bottom poles on the mount (I-E).  
**(FIGURE V)**

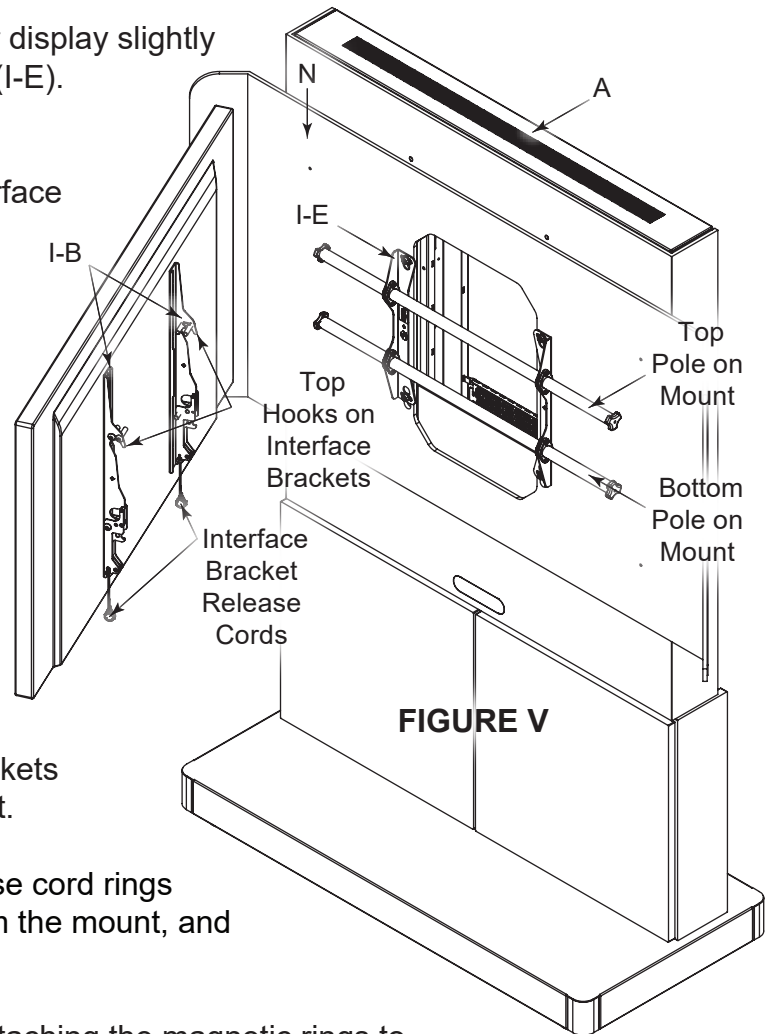
2. Slowly lower the display while ensuring top interface bracket hooks fully engage onto the top pole of the mount.

**WARNING:** Do not release your display until certain the top hook of each interface bracket is securely seated on the upper pole of the mount.  
**AVERTISSEMENT:** Ne relâchez pas votre écran tant que le crochet supérieur de chaque support d'interface n'est pas solidement fixé sur le pôle supérieur du support.

3. Carefully bring the lower side of the display forward until the lower jaws of the interface brackets securely latch onto the bottom pole of the mount.

**NOTE:** Remove your display by pulling both release cord rings down while pulling bottom of the display away from the mount, and then team lift it off the poles.

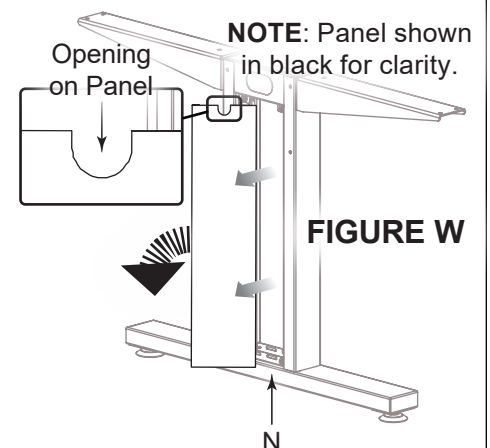
**TIP:** Store release cords behind your display by attaching the magnetic rings to the metal interface brackets or the mount.



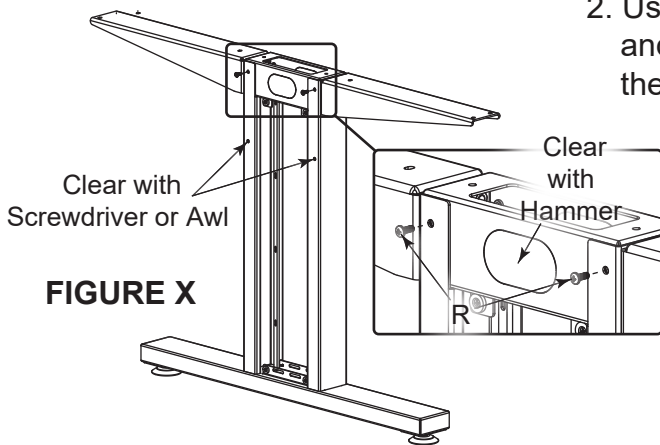
## ASSEMBLING YOUR TABLE (IF PURCHASED)

**NOTE:** Tables models include 3 and 5 person angle tables and a curved table. While the this topic shows views with a 3 person angle table model, the steps are generic and apply to all tables unless otherwise specified.

1. Use your hand to gently pull at the opening on the top of the inside filler panel from the table leg assembly (P, only the one from the side where you plan to have cables enter/exit your table) and carefully set it aside for re-installation. **(FIGURE W)**



## ASSEMBLING YOUR TABLE (IF PURCHASED, CONTINUED)



**FIGURE X**

2. Use hammer, screwdriver and/or awl to clear the knockouts on the same side/table leg assembly as shown. (**FIGURE X**)

**NOTE:** Adjust torque on power driver to lightest setting and only increase as necessary.

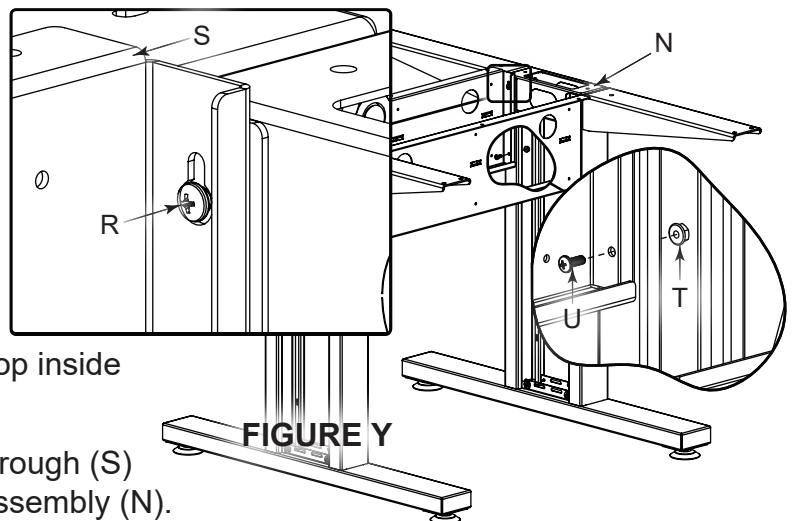
3. Use power driver and Phillips bit to partially attach (2x) 10-32 x  $\frac{3}{8}$ " thread forming screws (R) to the top inside of both table leg assemblies (N, approximately  $\frac{1}{4}$ " from the surface).

**NOTE:** Only remove the panel and clear the knockouts from the inside of only one table leg assembly. However, partially attach the (2x) 10-32 x  $\frac{3}{8}$ " thread forming screws (R) to the top inside of both table leg assemblies (N).



**WARNING:** This procedure requires at least one additional person.

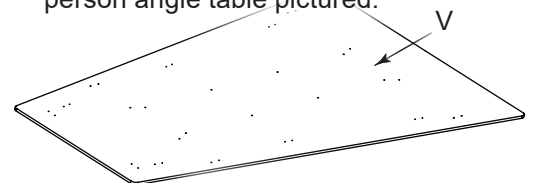
**AVERTISSEMENT:** Cette procédure nécessite au moins une personne supplémentaire.



**FIGURE Y**

4. With someone else holding one of the leg assemblies (N), carefully pick up the trough (S) and hook the keyholes over the 10-32 x  $\frac{3}{8}$ " thread forming screws (R) on the top inside as shown. (**FIGURE Y**)
5. Repeat this step to hook the other end of the trough (S) onto the screws (R) on the second table leg assembly (N).
6. Use adjustable wrench on (4x) 10-32 flange nuts (T) while using power driver and  $\frac{3}{4}$ " socket to tighten (4x) 10-32 x  $\frac{1}{2}$ " pan head screws (U) to fully secure the trough to both leg assemblies.
7. Tighten all 8 screws from the previous two steps. Do not overtighten.
8. Carefully team lift your table top (V) and place it upside-down (with pre-drilled holes facing up) on an appropriate work surface. (**FIGURE Z**)
9. Carefully team lift your table legs and trough assembly and place it upside-down onto the table top.
10. Use power driver, Phillips bit and 10-32 x  $\frac{3}{8}$ " thread forming screws (R, amounts and locations based on specific table model purchased) to attach your table legs and trough assembly to the underside of the table top (V) as shown. (**FIGURE AA** and **FIGURE AB**)

**NOTE:** Underside of a 3 person angle table pictured.

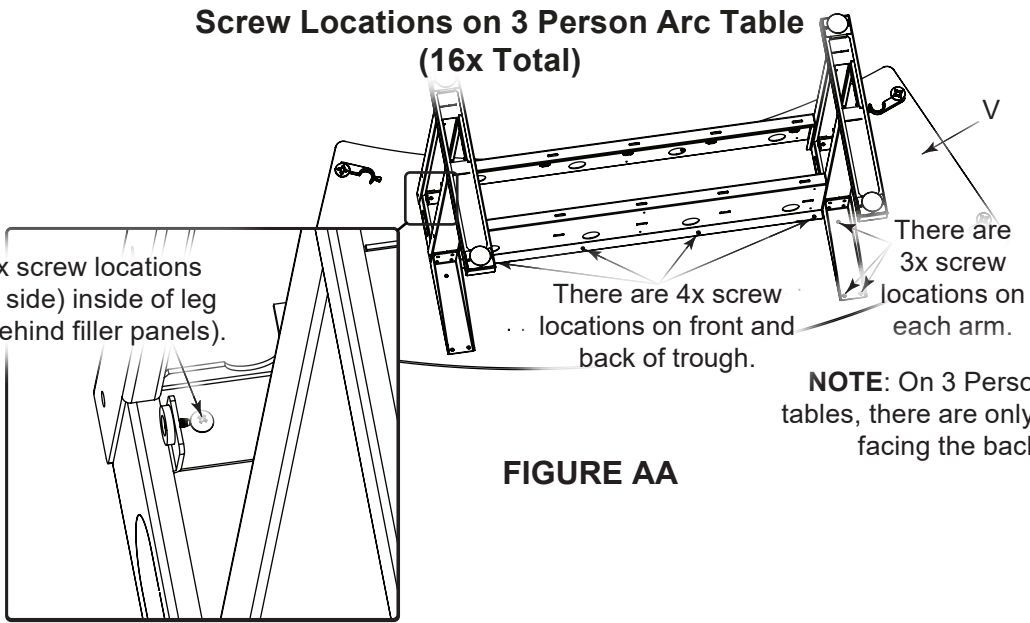


**FIGURE Z**

**NOTE:** Your hardware includes (24x) 10-32 x  $\frac{3}{8}$ " thread forming screws (R) to provide extra, if needed.

**Screw Locations on 3 Person Arc Table  
(16x Total)**

There are 2x screw locations  
(one on each side) inside of leg  
assemblies (behind filler panels).



There are 4x screw  
locations on front and  
back of trough.

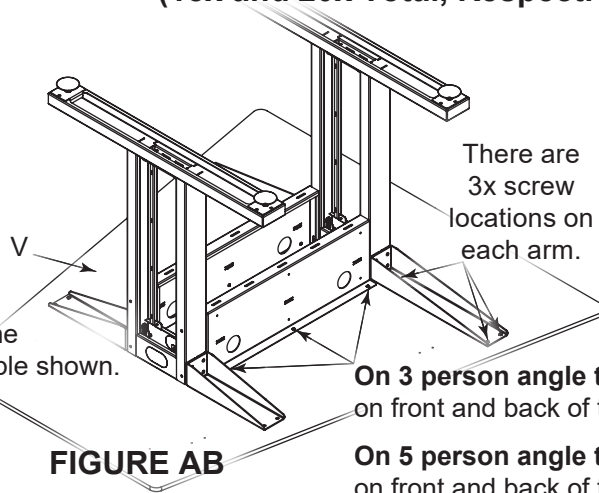
There are  
3x screw  
locations on  
each arm.

**NOTE:** On 3 Person Arc  
tables, there are only 2 arms  
facing the back.

**FIGURE AA**

**Screw Locations on 3 and 5 Person Angle Tables  
(18x and 20x Total, Respectively)**

**NOTE:** The  
3 Person Angle table shown.



There are  
3x screw  
locations on  
each arm.

**On 3 person angle tables:** there are 3x screw locations  
on front and back of trough.

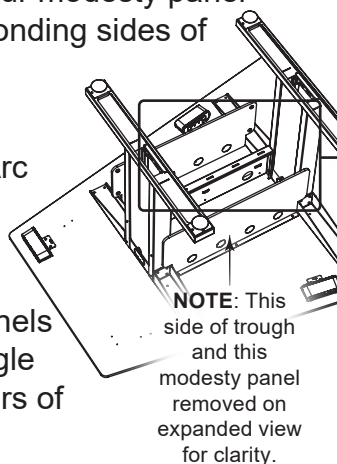
**On 5 person angle tables:** there are 4x screw locations  
on front and back of trough.

**FIGURE AB**

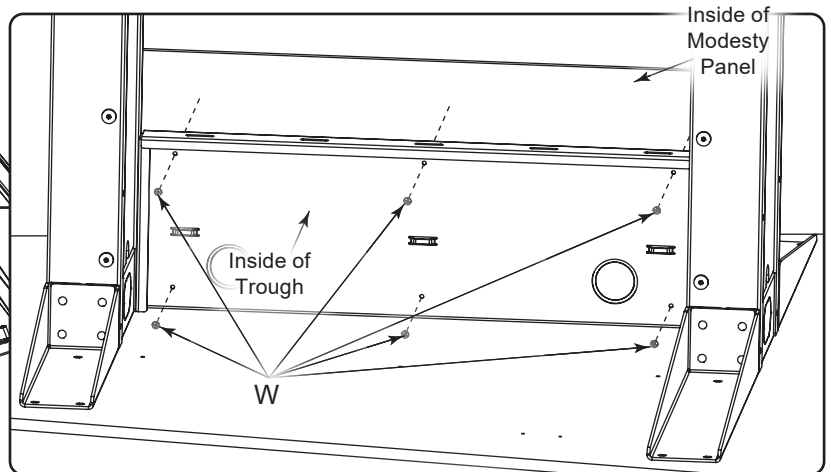
11. Use power driver, Phillips bit, and (12x, 6x per panel) #8 x 5/16" pan head sheet metal screws (W) through holes from the inside of the trough to attach your modesty panel pair (X) to corresponding sides of your table.

**(FIGURE AC)**

**NOTE:** The 3 person Arc table has different shaped front and back modesty panels. However, modesty panels for 3 and 5 person Angle tables are different pairs of the same size panel.



**NOTE:** This side of trough and this modesty panel removed on expanded view for clarity.



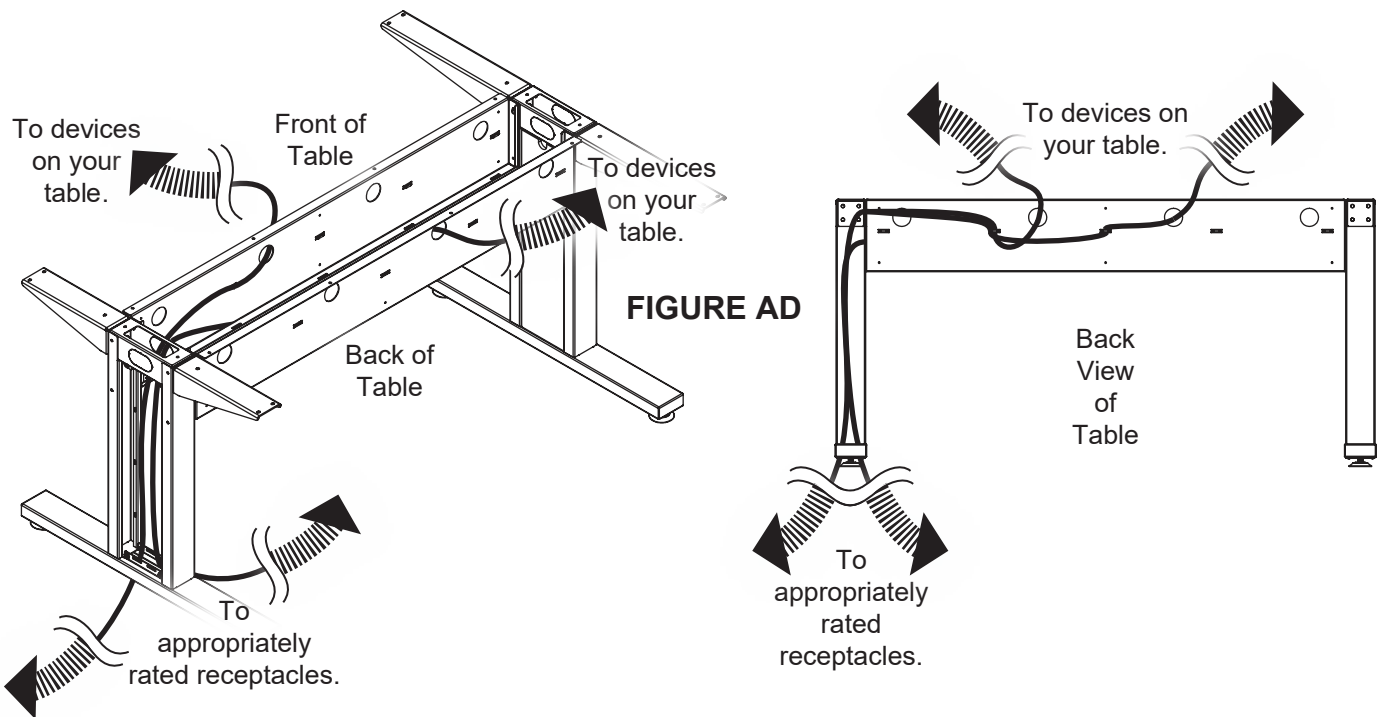
**FIGURE AC**

## UNDERSTANDING CABLE MANAGEMENT

- Carefully team lift the entire table assembly and place it right-side up.

### NOTE:

- Table top (V) and panels removed for clarity.
- The image shown of a 3 person angle table is provided as a cable management example of lines coming from the floor, up table leg assembly, through knockouts, tied to bridge lances, and out openings. (**FIGURE AD**)



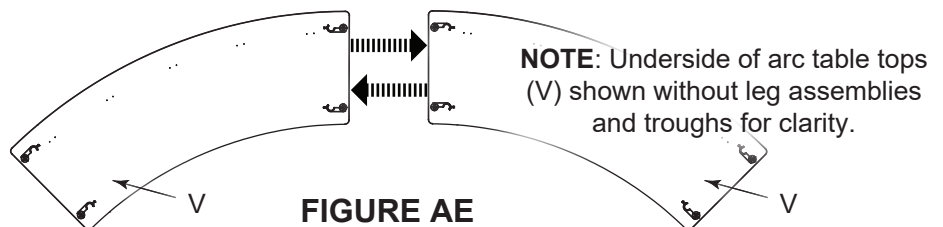
**FIGURE AD**

## JOINING ARC TABLES (IF PURCHASED, ARC TABLES ONLY)

**WARNING:** This procedure requires at least one additional person.  
**AVERTISSEMENT:** Cette procédure nécessite au moins une personne supplémentaire.

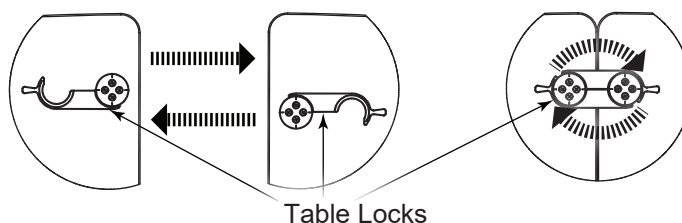
- Carefully team lift each of your arc tables so the side edges of the table tops (V) align as shown. (**FIGURE AE**)

- Reach under the table edge and push at the tabs on top of the locks to rotate until each half clasps together and closes securely.



**FIGURE AE**

- Repeat the process for the other lock halves on the same side on the underside of the arc table tops.



## INSTALLING WIREMOLD MODPOWER OPTIONS TO TABLE (IF PURCHASED)

You may have purchased any number of optional Wiremold On Surface ModPower System Primary, Middle, or End units to provide power to your optional table(s).

### NOTE:

- If purchased, a primary ModPower unit is required to run any additional middle and end units.
- A single primary unit may run power to an additional 7 units (for a maximum of 8 total).

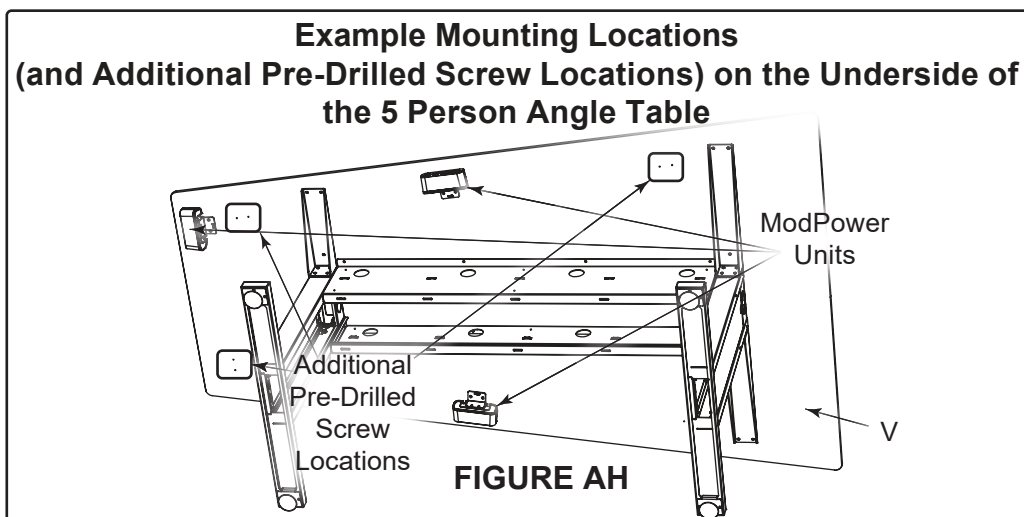
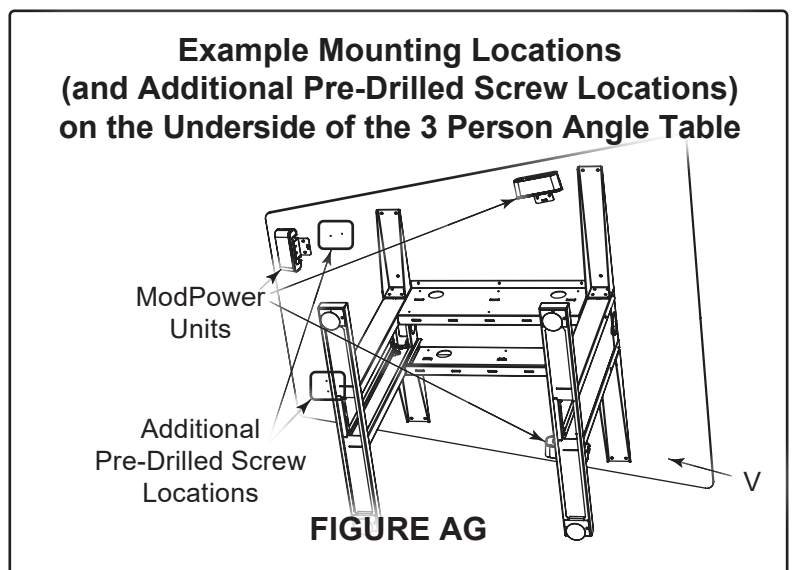
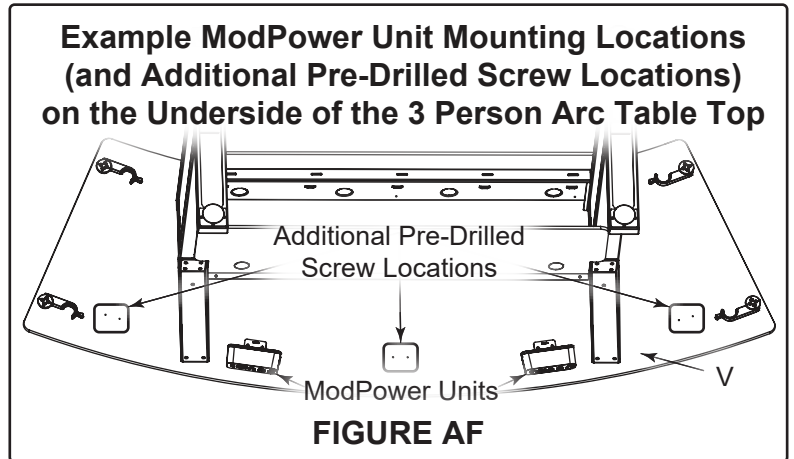
1. Refer to corresponding On Surface ModPower installation instructions for Primary (MDSA10-WH), Middle (MDCA3-WH), and End (MDEA3-WH) units at [www.legrandav.com](http://www.legrandav.com). They provide installation details for under-table screw-in mounting and how to wire the units correctly.

**NOTE:** Adjust torque on power driver to lightest setting and only increase as necessary.

2. While referencing the On Surface ModPower installation instructions, use power driver, Phillips bit, and the wood screws provided with the unit(s) to attach to the desired pre-drilled hole locations on the bottom of your corresponding table top (V).  
(**FIGURE AF**, **FIGURE AG**, and **FIGURE AH**)

### NOTE:

- Panels removed for clarity.
- Adjacent ModPower units must be mounted less than or equal to 6' (305mm) apart to accommodate the cable length provided.
- The image shown is provided as an example. Your specific installation may differ.



3. Connect your unit(s) as specified in the On Surface ModPower installation instructions and run the power cable(s) through your table as desired using "Understanding Cable Management" on page 20.

## **WARRANTY**

For warranty information, refer to [legrandav.com/policies/warranty\\_information](http://legrandav.com/policies/warranty_information).

### **Corporate Headquarters**

P: (866) 977-3901 | F: (877) 894-6918 | [legrandav.com](http://legrandav.com) | [av.support@legrand.com](mailto:av.support@legrand.com)

### **Middle Atlantic Canada**

P: (888) 766-9770 | F: (888) 599-5009 | [ca.middleatlantic.com](http://ca.middleatlantic.com) | [av.canada.customerservice@legrand.com](mailto:av.canada.customerservice@legrand.com)

### **Middle Atlantic EMEA Technical Support**

P: +31 495-726-003 | [av.emea.middleatlantic.support@legrand.com](mailto:av.emea.middleatlantic.support@legrand.com)

### **Factory Distribution**

United States: New Jersey, California, and Illinois | Canada: Ontario | The Netherlands: Weert

At Legrand AV Inc. we are always listening. Your comments are welcome.

Legrand AV is an ISO 9001 and ISO 14001 Registered Company.

**MIDDLE  
ATLANTIC®**

A brand of  **legrand®**