

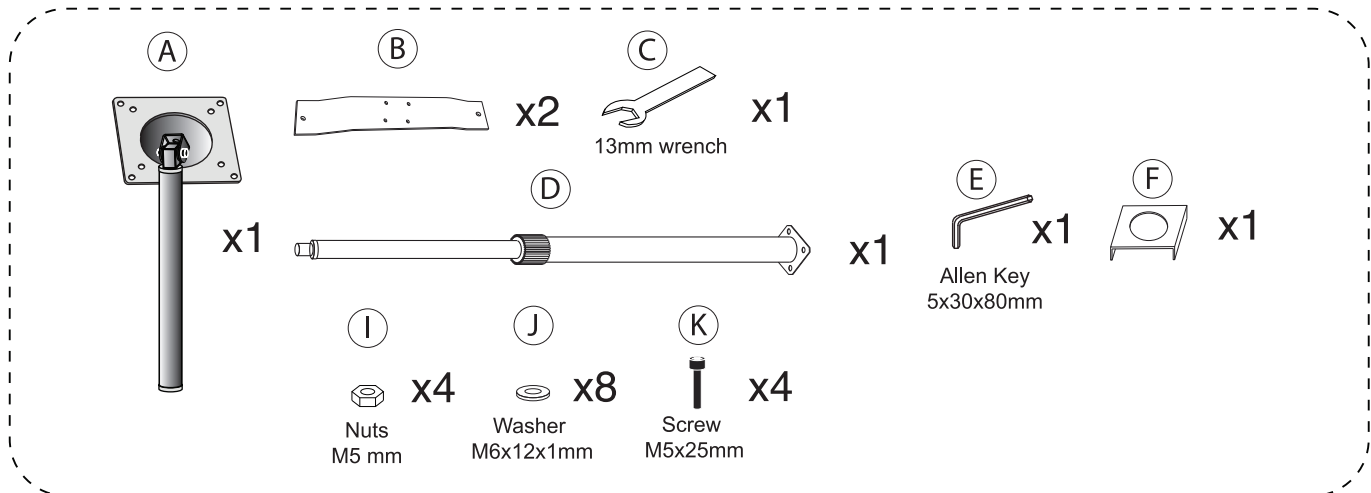


VESA-Compatible, Height-Adjustable Floor Stand (Black)

USER MANUAL

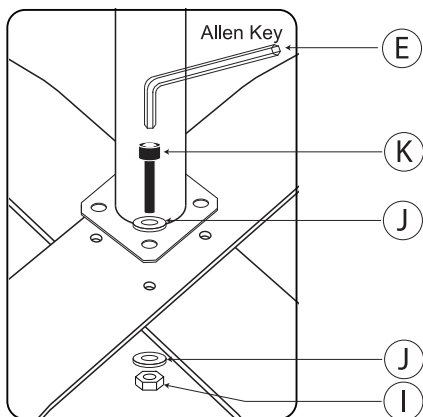
PAD-AFSVP

Contents:



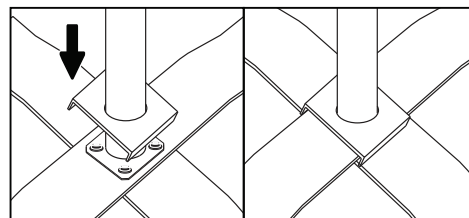
Instructions:

1. Base to Body Assembly



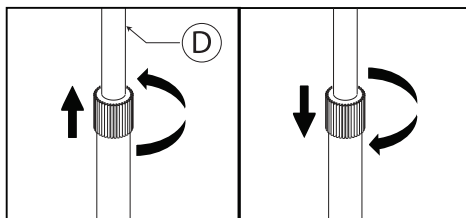
1A. Assemble all the different components illustrated to the left. Insert the screw bolt (K) through all of them in the corresponding order as shown. Using your hand to initially rotate in the screw while your other hand is holding the hex nut (I). Afterwards, use the provided allen key tool to securely tighten. Repeat for all (4) holes in the same manner.

2. Setting up Base Cover



2A. Take the base cover (F) and slide it over the pole all the way down until it covers the metal plate joint as illustrated.

3. Adjusting Height



3A. Rotate pole body (D) at the illustrated location counterclockwise to create slack and allow for pole sliding height adjustability. Once desired height is set, rotate clockwise to tighten and hold the setup.

4. VESA Pole Assembly to Top of Body:

4A. Take the VESA component section (A) and simply rotate it onto the top of the floor stand body (D) as shown below. Rotate with your hands aligning the male to female connection until securely tightened.

