



CTA DIGITAL

# PAD-AFS10

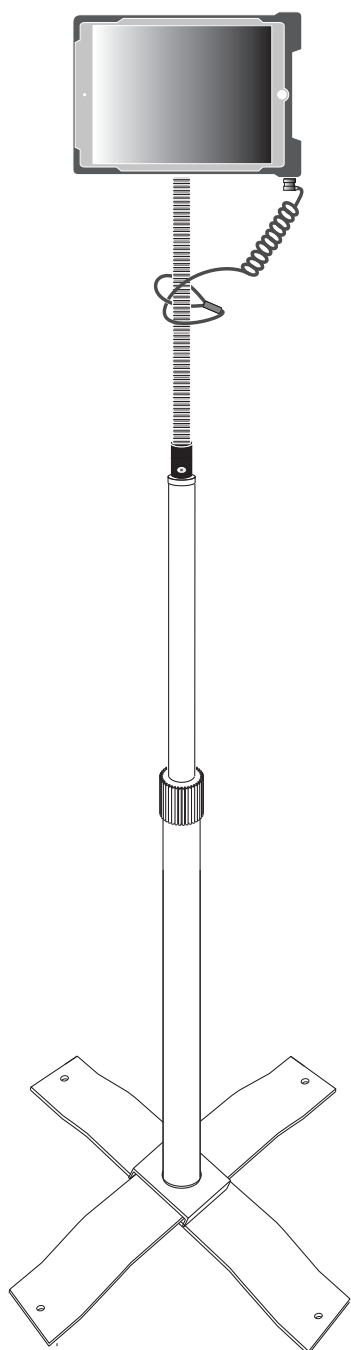
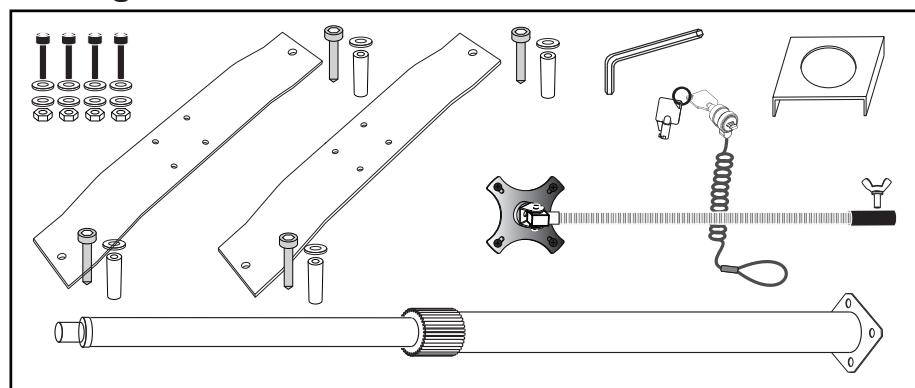
## Height-Adjustable Gooseneck Floor Stand

for iPad Gen.8, iPad Pro 10.5" & iPad Air 4

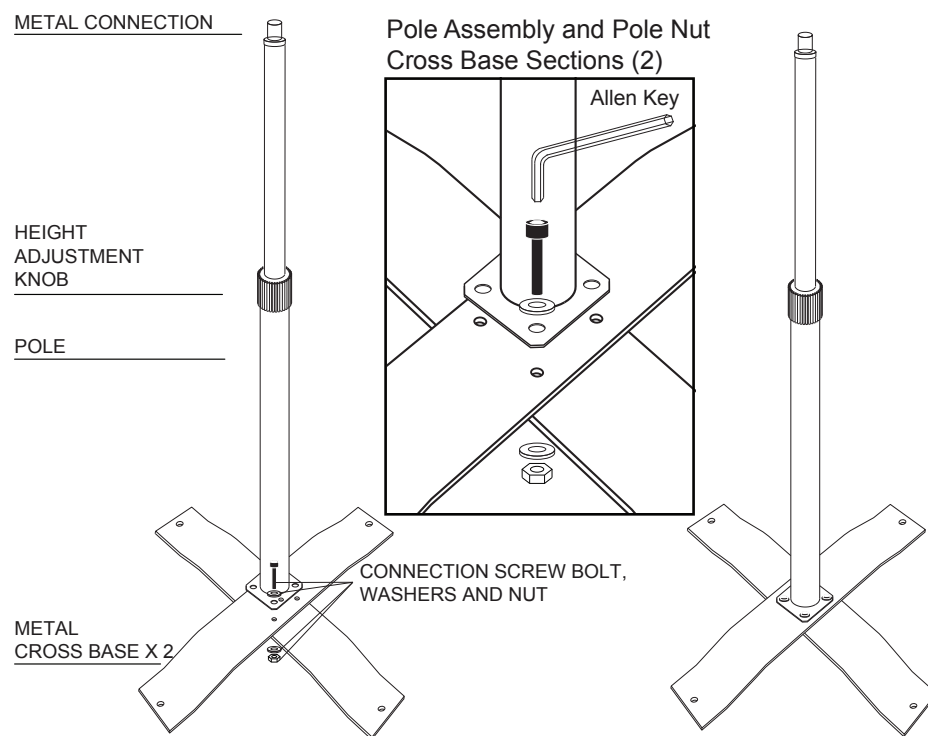
### INSTRUCTION MANUAL

Thank you for choosing CTA Digital's product. We hope that you will enjoy using it. Please follow the guidelines and instructions as laid out in this instruction manual.

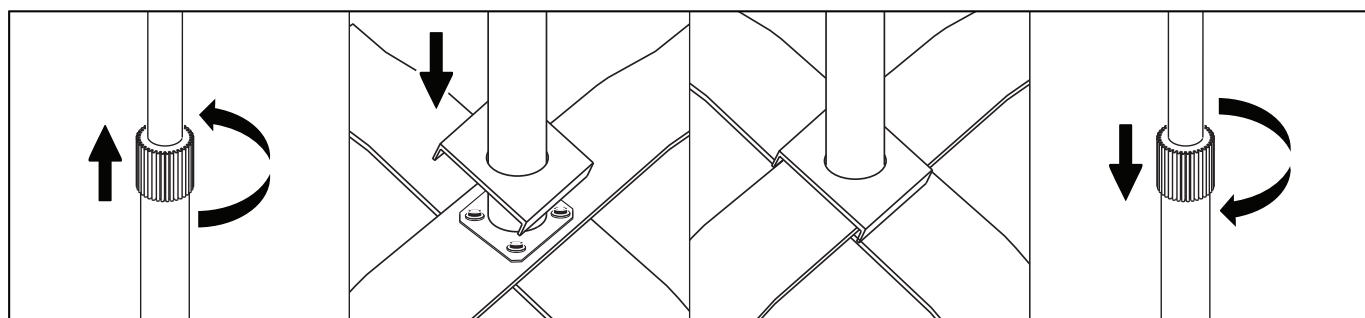
#### Package Contents:



#### 1. Base Assembly and Connecting the Metal Cover:

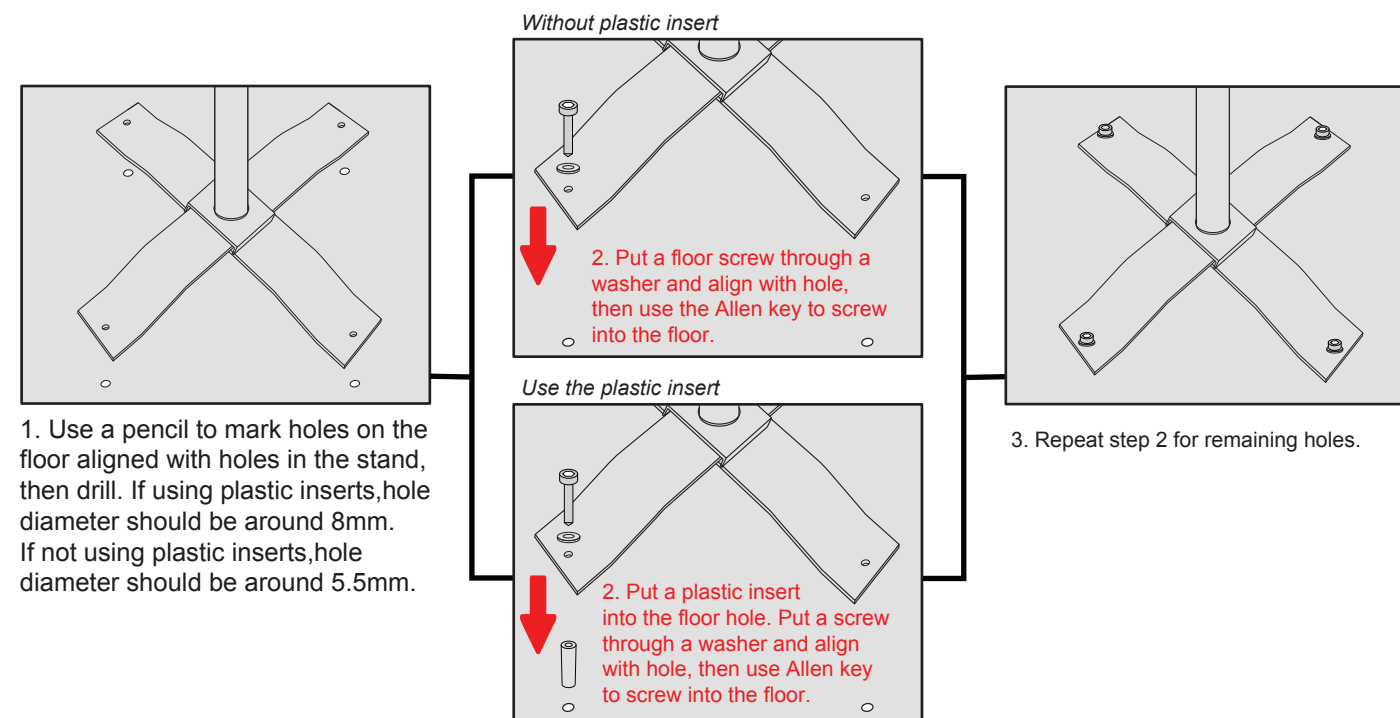


- 1) Place the metal base pieces with the higher piece on top of the cross base. Align the holes at the bottom of the pole with the holes on the cross base.
- 2) Insert a screw bolt with a washer into each of 4 holes. Place another washer on the underside of each screw bolts.
- 3) Grip the nut on the underside with one hand, and use the other to tighten each screw with Allen key. Repeat to tighten all four screw bolts.



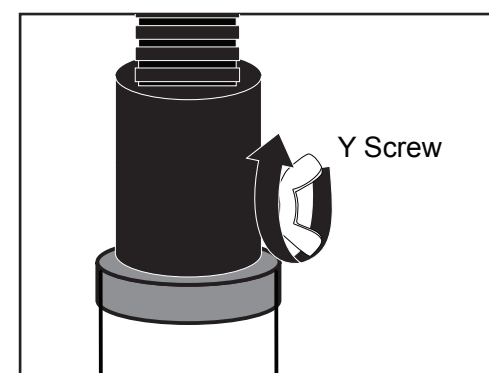
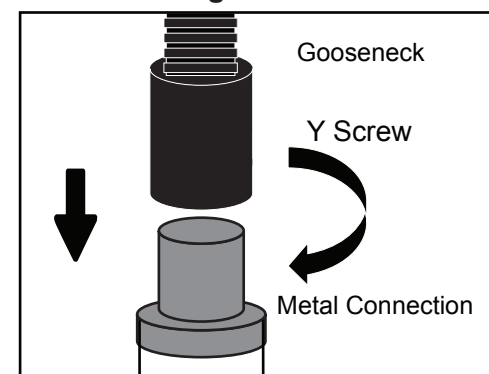
4. Rotate the grip counter clockwise to loosen completely and remove from top of pole.
5. Place the square metal cover over the top of the pole and slide down to stand base.
6. Place grip back over stand pole and tighten.

#### 2. Connecting the Stand to the Floor (Optional)



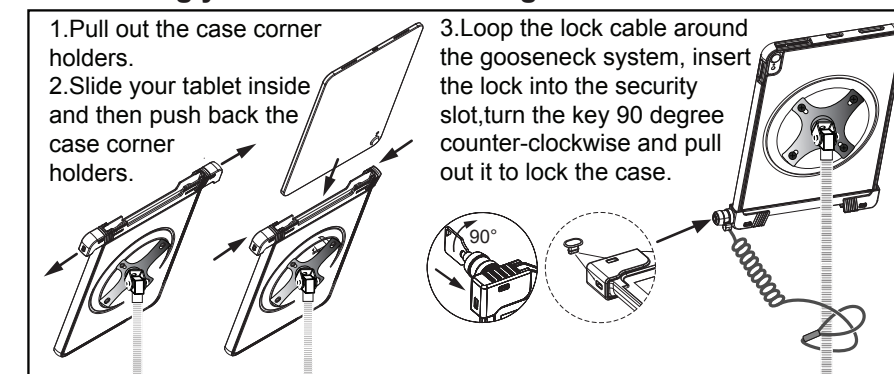
1. Use a pencil to mark holes on the floor aligned with holes in the stand, then drill. If using plastic inserts, hole diameter should be around 8mm. If not using plastic inserts, hole diameter should be around 5.5mm.

#### 3. Connecting Gooseneck with Pole

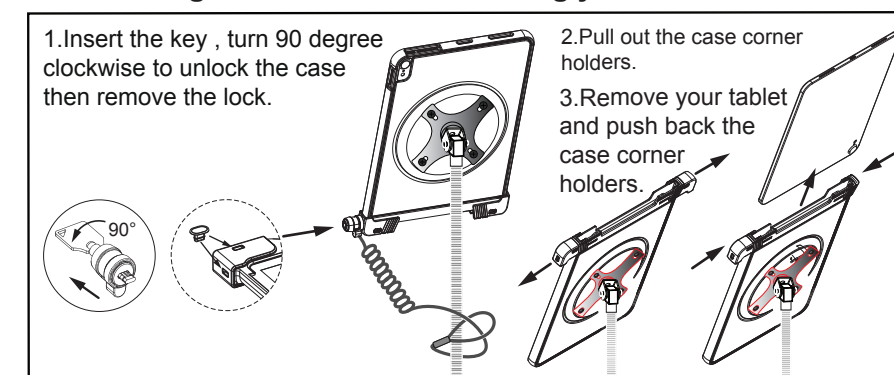


Screw up the Y screw and turn clockwise to tighten the connection.

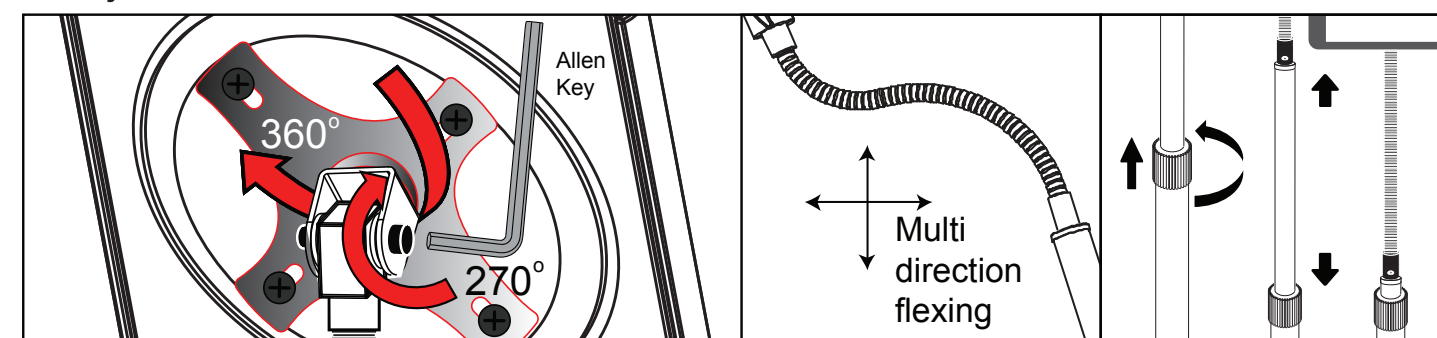
#### 4. Installing your Tablet and Locking the Case



#### 5. Unlocking the Case and Uninstalling your Tablet



#### 6. Adjustment:



Use the Allen key to tighten and loosen the gooseneck connection screw, adjusting ease of rotation in the tablet holder.

Gooseneck flexes by hand. To adjust the height of the pole, turn plastic cover counter-clockwise and raise or lower the pole to desired height. Turn clockwise again to lock it in place.