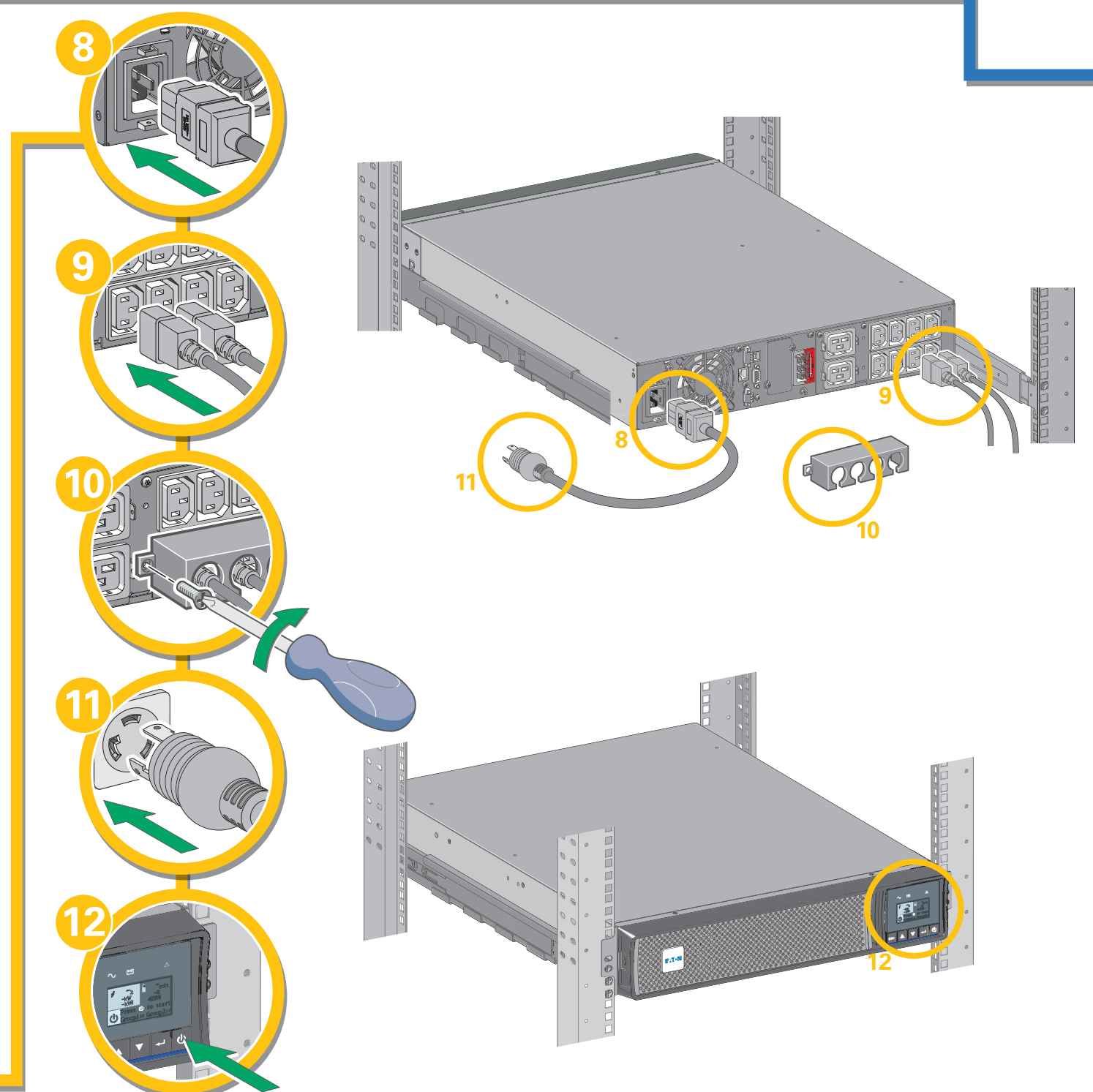
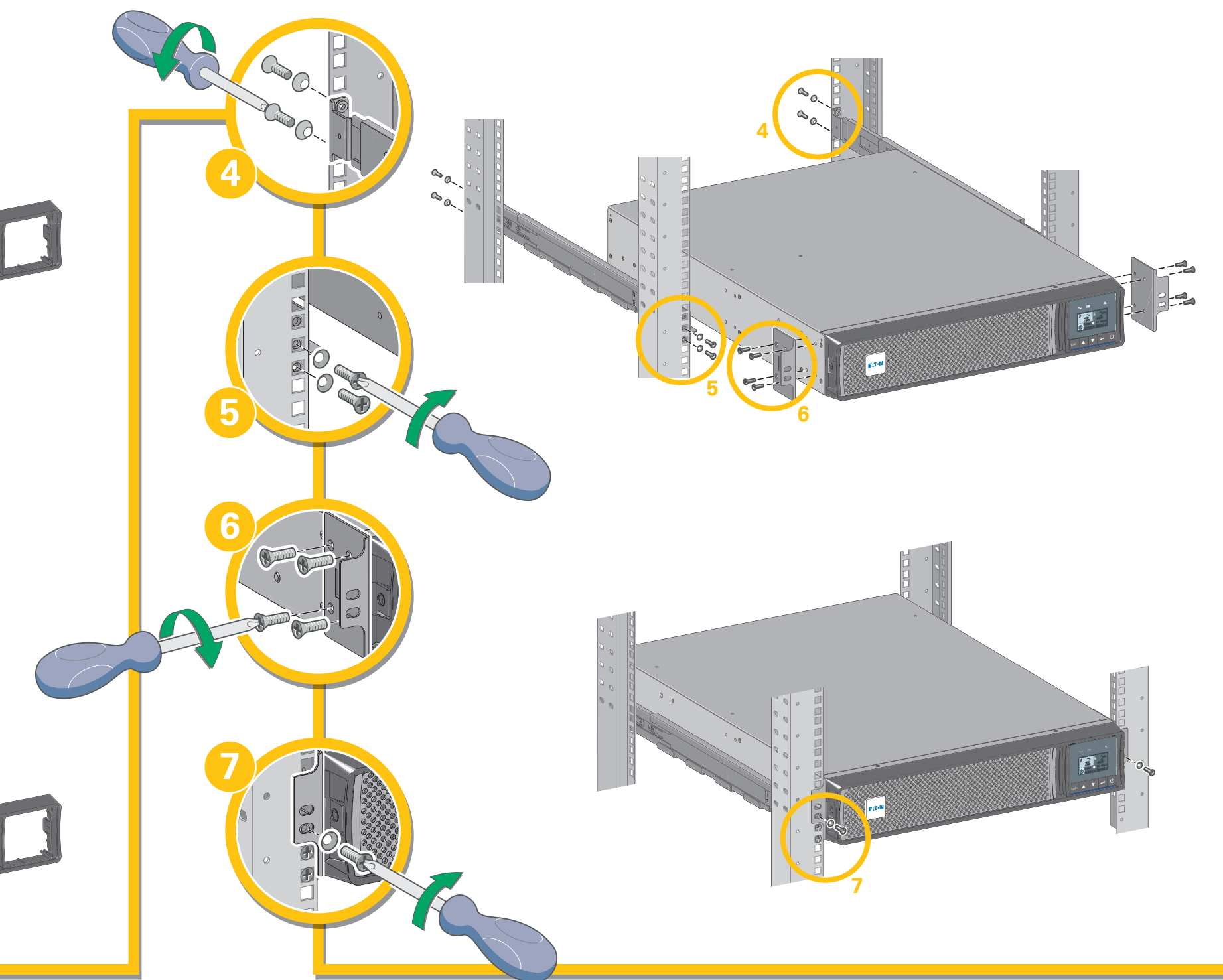
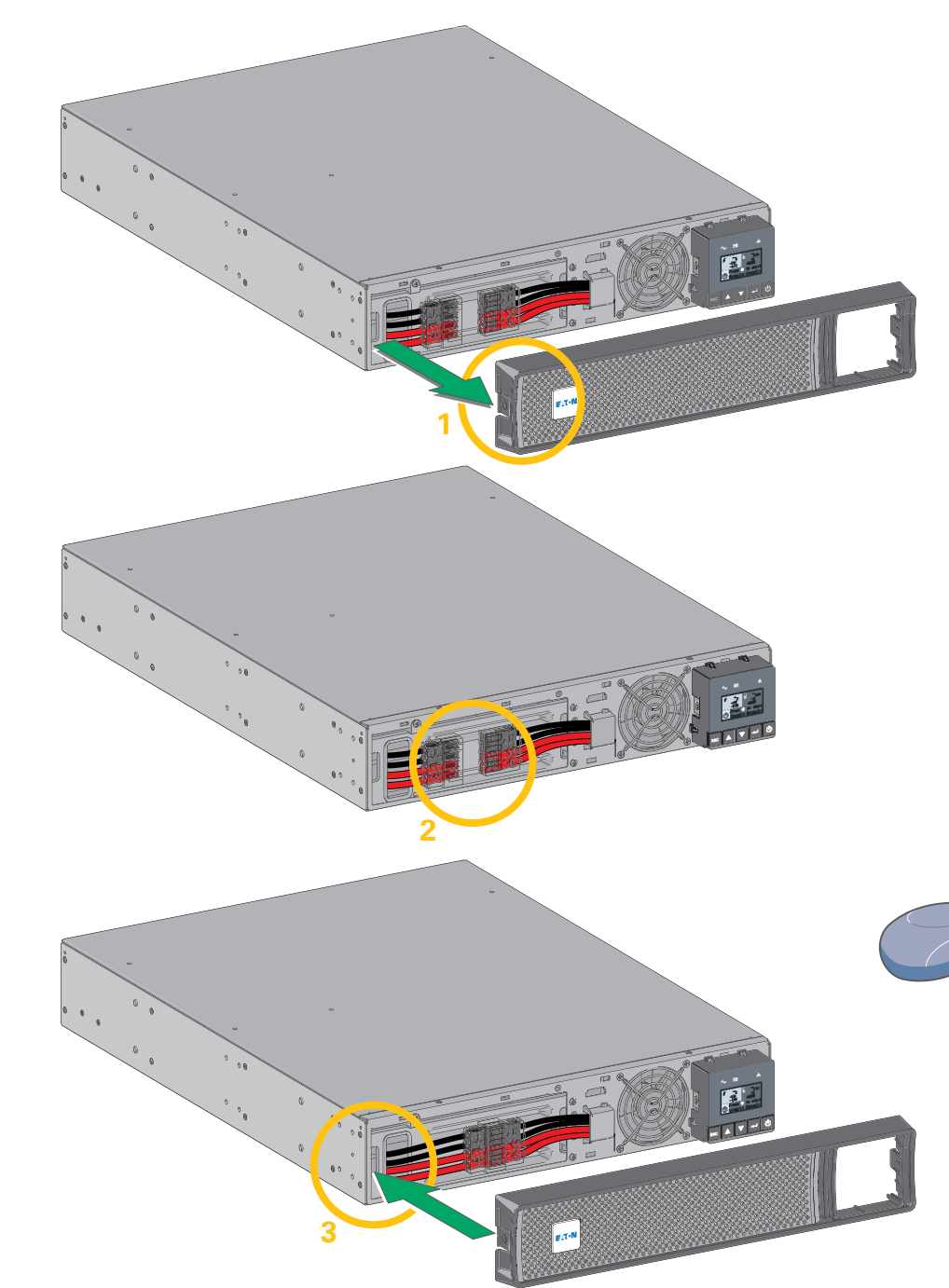
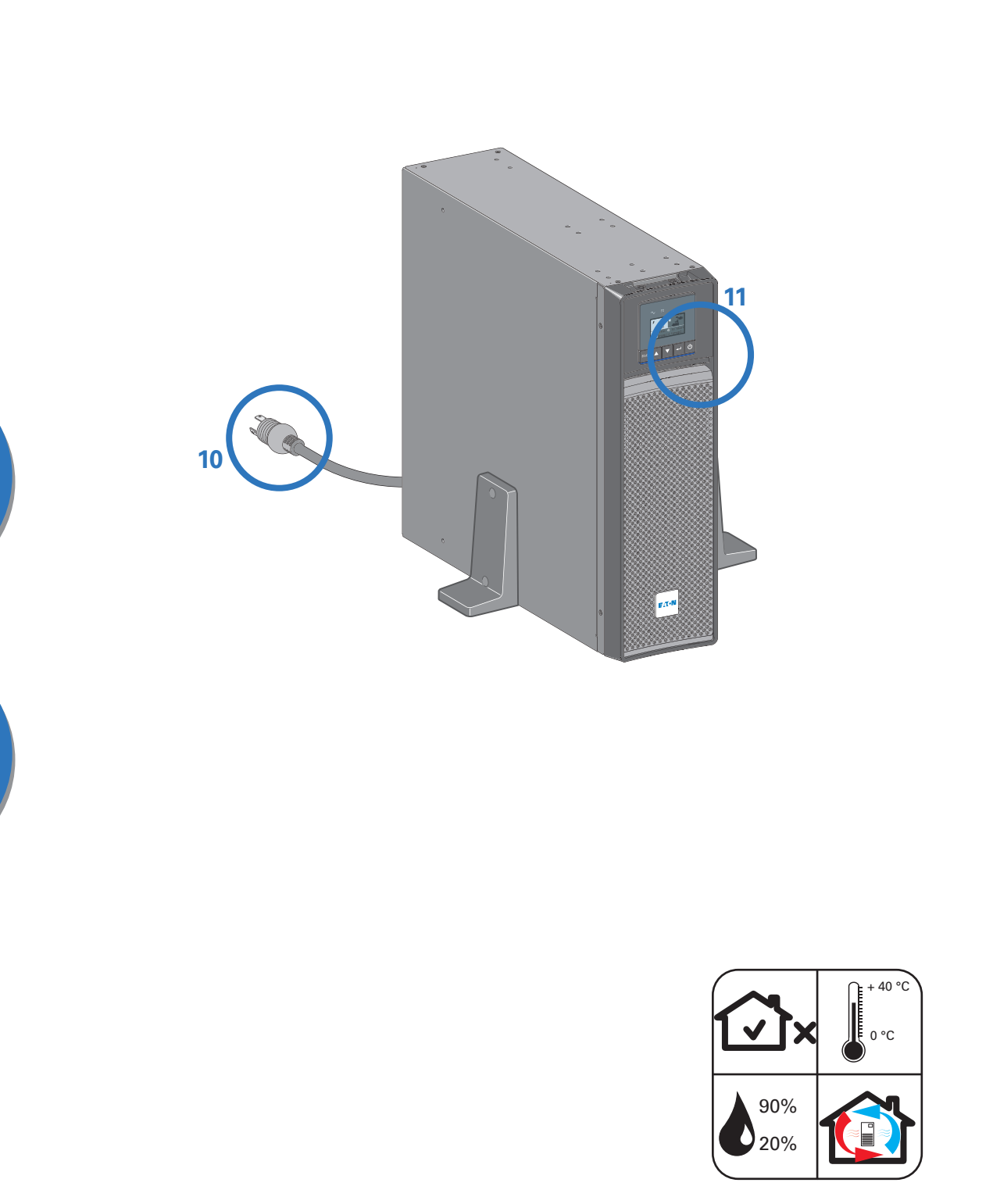
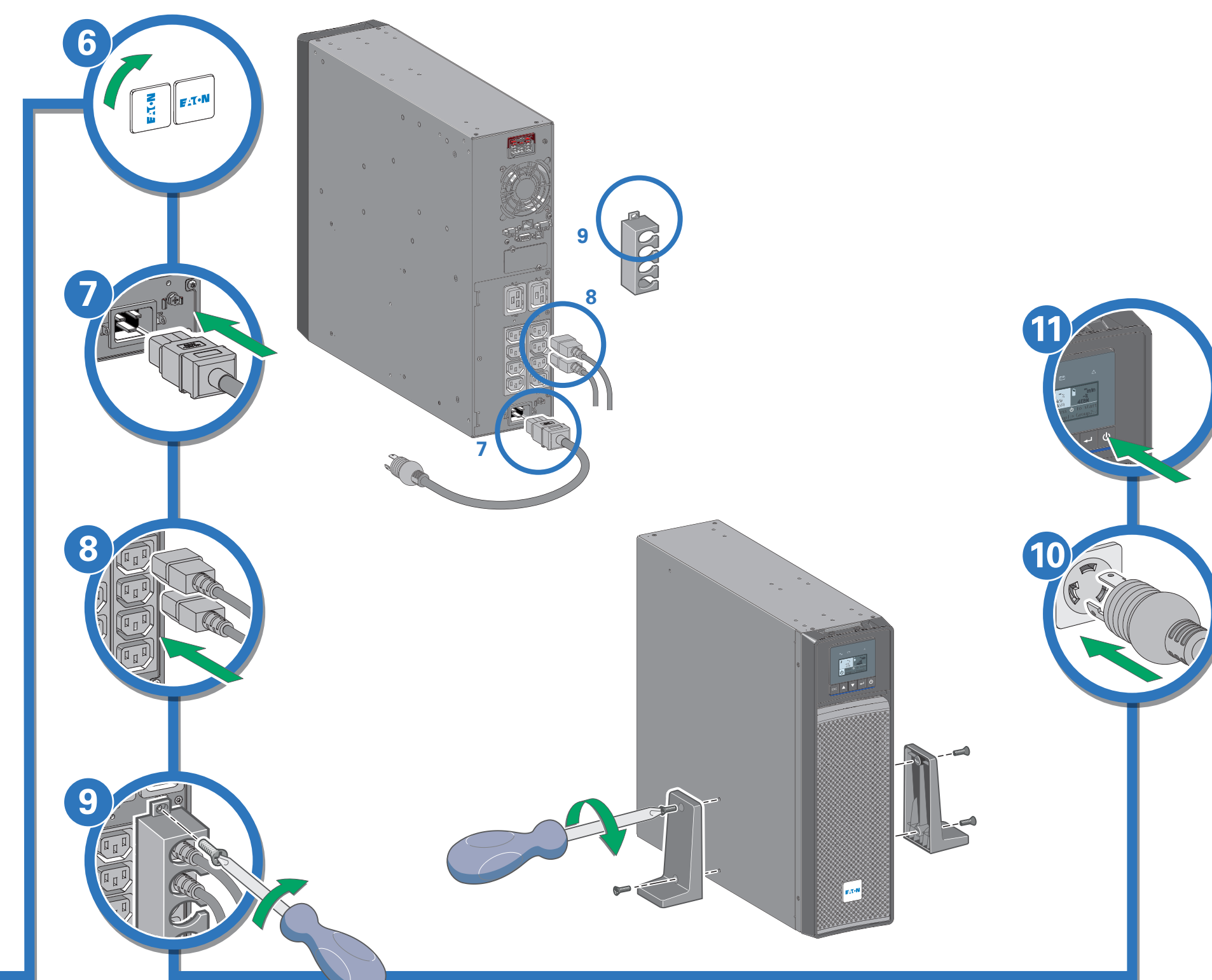
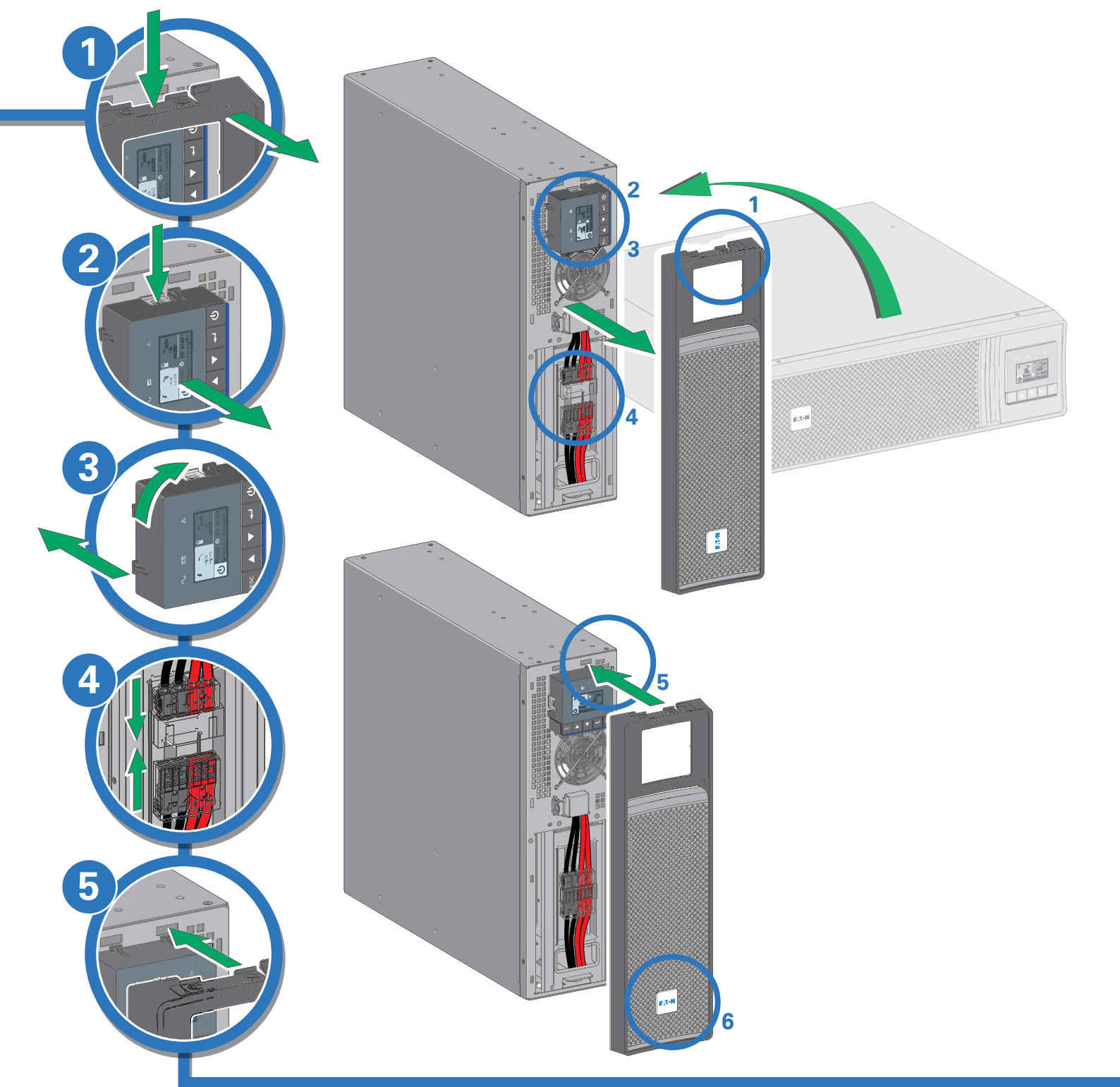


- 1
- 2
- 3





www.eaton.com

5PX
 1500H
 2200H
 3000H
Quick Start

614-40092-00

EATON
 Powering Business Worldwide