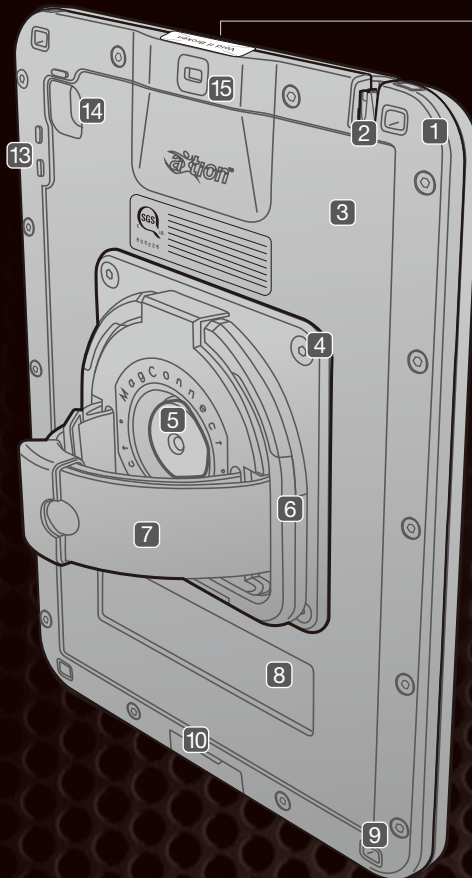


axtion® extreme MP

User Guide



VOID IF BROKEN

This solution is void if the tamperproof label is broken or appears tampered

- 1 Reinforced corners
- 2 Testing port with special tool access
- 3 Robust outer shell provides hazardous location protection
- 4 VESA 100 Compatible
- 5 MagConnect adapter for compatibility with all MagConnect Mounts
- 6 Rotating, multi-angle and anti-slip kickstand and carrying handle
- 7 Adjustable silicone hand strap - easy to clean
- 8 Asset tag access
- 9 Universal Shoulder Strap port
- 10 Charging port cover
- 11 Touch ID compatibility
- 12 Built-in heavy-duty screen protector (9H PET)
- 13 Molded-In Buttons
- 14 Front and rear facing camera lens covers (9H PET)
- 15 Security lock port



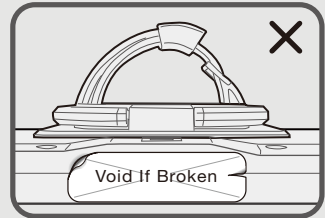
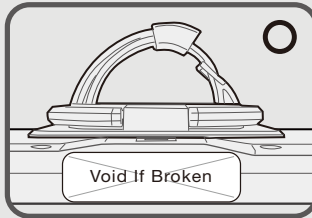
Inspections before entering the hazardous environment:

- Label:** Check the certification label to ensure the case is certified for your work environment, and the tamper proof label is not missing or appears to be tampered.
- Case Body:** Inspect the case and ensure there is no damage such as cracks, or missing parts.
- Screen Protector and Camera Lens Cover:** Ensure the screen and lens cover have no crack and is firmly adhered to the case.
- Port Cover:** Ensure all port covers are completely closed.

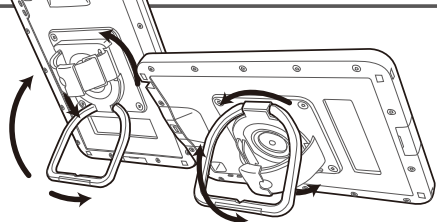
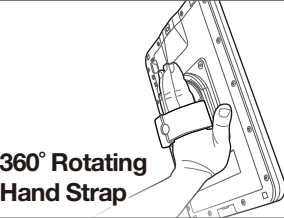
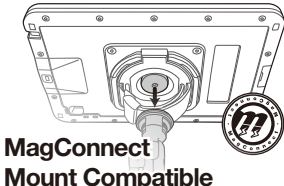
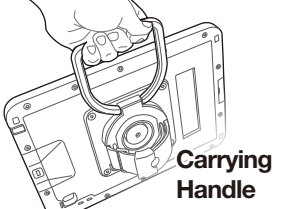
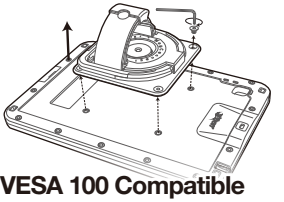
Label Inspection

This hazardous location certified solution is void if the tamperproof label is broken or appears tampered.

Due to the nature of hazardous locations this case and tablet solution will be utilized in, its imperative to ensure the install tamperproof label is fully intact and shows no signs of tampering. If at any time the tamperproof label is missing or appears to be tampered, whether it is during initial deployment or during regular usage, place the case out of service and contact your reseller. Each case solution should come with two standard labels. The first label details the certification of the case and appears on the backside of the case. The second is the tamperproof label which is placed on the outer shell of the solution where the two outer shell pieces meet.



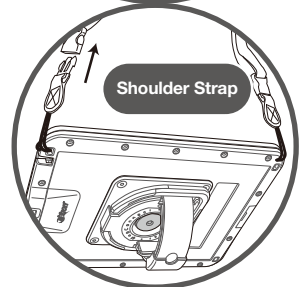
Product Features

	Multi-angle Kickstand
	360° Rotating Hand Strap
	MagConnect Mount Compatible
	Carrying Handle
	VESA 100 Compatible

Accessories

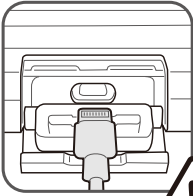
Sun Visor | Harness & Shoulder Strap

Harness secures the case for safe transport and provides coverage from sun glare.

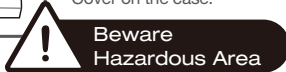


FAQs

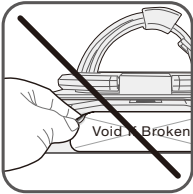
How does the user charge the device?



This case and tablet solution cannot be charged anywhere in a hazardous environment. When in a safe environment free from explosive vapors, particles and debris the device can be charged by opening the Charging Port Cover on the case.



Can I open the case to remove the device for servicing?



The tamperproof label must remain intact at all times. This ensures the tablet and case were installed in our certified installation centers. Tampering or removing the label voids the certified installation of the solution. See section "Label Inspection".

What do I do if I need technical support?

The aXtion Extreme case is covered under a one-year manufacturing warranty. The tablet is covered by the tablet manufacturer's warranty. Contact tablet manufacture for tablet technical support or warranty service. Contact The Joy Factory for case technical support and warranty service, or reinstallation of the case if a tablet replacement or repair is needed.

Cleaning Instructions

To safely clean the case and tablet solution use a cleaning cloth from the below list of approved cleaners. Should one of these cleaning solutions not be available a damp cloth may be used. HAZARD: Never use a dry cloth to clean or wipe the case as this would cause a hazard by producing static electricity.

Approved Cleaners:

- Sani-Cloth® AF3
- Super Sani-Cloth®
- CaviWipes™
- Clorox Healthcare® Bleach Germicidal Wipes
- Oxivir® Tb

Certifications

- North America: Class I Div 2, Class II Div 2, Class III Div 1 & 2, Groups A - D, F, G certifications
- Europe: ATEX Zone 2

ATEX standards and issue dates

- EN IEC 60079-0:2018
- EN 60079-11:2012
- EN 60079-15:2019
- EN 60079-31:2014

This case is certified and deemed safe to be used in potentially hazardous environments. Please refer to the certification label on the case or product page on The Joy Factory's website www.thejoyfactory.com for the certification information.





This Disclaimer applies to The Joy Factory Inc.'s aXtion® Extreme Class I and Class II, Div. 2, Class III Div. 1 & 2, ATEX Zone 2 with MIL-STD-810H Military Grade and IP68 Waterproof Certified Cases (the "Case" or the "aXtion Extreme Case").

INSTRUCTIONS

PLEASE READ ALL INSTRUCTIONS CAREFULLY. IMPROPER USE OF THE CASE COULD BE DETRIMENTAL.

This aXtion Extreme Case is designed only for the specific tablet listed on the box containing the Case. Thus, the Case is only intended for and only warranted for proper use with that specific tablet and not for use with another device type. Because different generations of tablets have different specifications, please refer to the packaging for your aXtion Extreme Case to determine whether your tablet will be compatible with the aXtion Extreme Case you have purchased.

Do not use the aXtion Extreme Case if it is damaged or not functioning properly for any reason

CERTIFICATIONS

aXtion Extreme Cases are Class I and Class II, Div. 2, Class III Div. 1 & 2, ATEX Zone 2 certified, meaning they are approved for usage in hazardous locations which require these certifications. Please refer to the certification label on the case and/or the product page on The Joy Factory website for the specific certifications. The certified Case and tablet solution is installed in The Joy Factory Inc.'s certified labs and is verified with a tamperproof label. If the tamperproof label is removed then the solution is void. The Case's label should be inspected upon deployment and periodically while in-use. When the tamperproof label is intact, the Case provides protection to tablets in environments where explosion or fire hazards exist due to the presence of flammable gases, flammable or combustible liquid-produced vapors, combustible dusts, or ignitable fibers or flying materials

All aXtion Extreme Cases are certified IP68 waterproof. The IP68 rating means that the aXtion Extreme Case is certified as "dust and watertight" (that is, no dust or water will enter the Case when it is properly installed and used). All aXtion Extreme Cases are also designed to be shock resistant and can physically and functionally withstand infrequent, non-repetitive shocks encountered in various environments.

NO ALTERATIONS

Any alteration to your aXtion Extreme case is prohibited and will not be covered under any of the following certifications: Class I and Class II, Div. 2, Class III Div. 1 & 2, ATEX Zone 2 with MIL-STD-810H Military Grade and IP68 Waterproof. In addition, any alterations will void all warranties, for the Case. The Joy Factory Inc. disclaims any and all liability for damages arising from use of an altered aXtion Extreme case.

NOTE: Removal of the device from the aXtion Extreme Case breaks the tamperproof label thus voiding all certifications. The Joy Factory Inc. disclaims all liability and all warranties, whether expressed or implied, in situations where the Case is mishandled.

EXPRESS WARRANTY

The Case is covered under a one-year manufacturing warranty from the date of purchase and can be replaced free of charge for any manufacturing defects. If you believe the Case has a manufacturing defect, cease use immediately and contact The Joy Factory Inc. by email at support@thejoyfactory.com or by telephone at (949) 216-8888, Monday through Friday, 9:00 a.m. to 5:00 p.m., Pacific Standard Time. The Joy Factory Inc. will only replace a Case that has a manufacturing defect. The Joy Factory is not liable to replace or pay for replacement of your device or any additional items which may be damaged from use of a Case with manufacturing defects or the use of the Case with other cases and bumpers.

WARRANTY DISCLAIMER

EXCEPT TO THE EXTENT SET FORTH IN THE EXPRESS WARRANTY ABOVE AND AS PERMITTED BY LAW, THE JOY FACTORY INC. PROVIDES THE CASES ON AN "AS IS" BASIS, AND DISCLAIMS ALL WARRANTIES AND CONDITIONS WITH RESPECT TO THE CASES, WHETHER ORAL, WRITTEN, STATUTORY, OR IMPLIED, INCLUDING THE IMPLIED WARRANTIES OF MERCHANTABILITY, FITNESS FOR A PARTICULAR PURPOSE, TITLE, AND NON-INFRINGEMENT OF THIRD-PARTY RIGHTS.

The Joy Factory Inc. does not provide a warranty for the tablet computer installed into the aXtion Extreme Case.

LIMITATION OF LIABILITY

IN ADDITION TO THE ABOVE WARRANTY DISCLAIMER, TO THE MAXIMUM EXTENT PERMITTED BY LAW, IN NO EVENT WILL: (A) THE JOY FACTORY, INC., ITS PARTNERS, OFFICERS, DIRECTORS, AGENTS, EMPLOYEES, AFFILIATES, PARENTS, SUCCESSORS, ASSIGNS, LICENSORS, SUPPLIERS, AND RESELLERS (COLLECTIVELY, "THE JOY FACTORY PARTIES") BE LIABLE FOR ANY CONSEQUENTIAL, EXEMPLARY, SPECIAL, OR INCIDENTAL DAMAGES, INCLUDING ANY DAMAGES FOR PERSONAL INJURY OR LOST DATA, PROFITS, EQUIPMENT OR PROPERTY, ARISING FROM OR RELATING TO THE CASES, EVEN IF THE JOY FACTORY PARTIES KNEW OF, SHOULD HAVE KNOWN OF, OR WERE ADVISED OF THE POSSIBILITY OF SUCH DAMAGES; AND (B) THE TOTAL CUMULATIVE LIABILITY OF THE JOY FACTORY PARTIES ARISING FROM OR RELATED TO THE CASES, WHETHER IN CONTRACT, TORT OR OTHERWISE, EXCEED THE AMOUNT OF \$100.00. THIS LIMITATION APPLIES NO MATTER HOW MANY CASES YOU OWN, AND WILL NOT BE INCREASED BY THE EXISTENCE OF MORE THAN ONE INCIDENT OR CLAIM.

CALIFORNIA PROPOSITION 65 NOTICE

The State of California requires that all manufacturers notify their consumers of certain chemicals that may be found in their products, even if the amount is very slight. This is so because, if ingested, exposure to these chemicals could contribute to higher risks of cancer or birth defects. The general Proposition 65 notice is as follows:

WARNING: This product contains a chemical known to the State of California to cause cancer, birth defects or other reproductive harm.

All of The Joy Factory Inc.'s Cases are safe and are required to meet applicable federal health and safety standards. A variety of products on the market today contain safe levels of these chemicals, and when used as intended, do not expose the consumer to any greater risks.

For more information on California's Proposition 65, please see: <https://oehha.ca.gov/proposition-65/law/proposition-65-law-and-regulations>

Contact us: support@thejoyfactory.com
(949) 216-8888
Monday through Friday,
9:00 a.m. to 5:00 p.m. (PST)