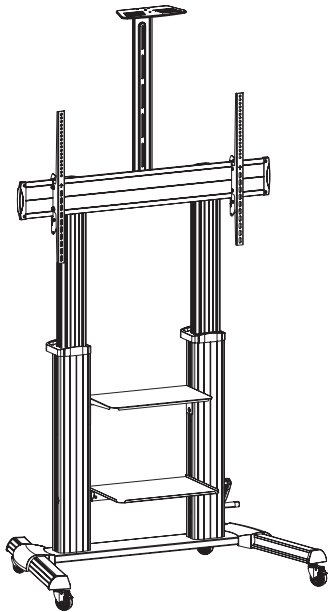


Owner's Manual



Heavy-Duty Rolling TV/Monitor Cart with Crank Handle

Model: DMCS60100XXCK



CAUTION: DO NOT EXCEED MAXIMUM LISTED WEIGHT CAPACITY. SERIOUS INJURY OR PROPERTY DAMAGE MAY OCCUR!



200 x 200 / 300 x 300
400 x 200 / 400 x 400
600 x 400 / 800 x 400
800 x 600 / 1000 x 600



Este manual esta disponible en español en la página de Tripp Lite: tripplite.com

Ce manuel est disponible en français sur le site Web de Tripp Lite : tripplite.com

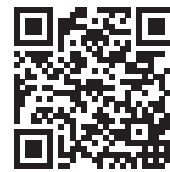
Русскоязычная версия настоящего руководства представлена на веб-сайте компании Tripp Lite по адресу: tripplite.com

Dieses Handbuch ist in deutscher Sprache auf der Tripp Lite-Website verfügbar: tripplite.com

WARRANTY REGISTRATION

Register your product today and be automatically entered to win an ISOBAR® surge protector in our monthly drawing!

tripplite.com/warranty



1111 W. 35th Street, Chicago, IL 60609 USA • tripplite.com/support

Copyright © 2021 Tripp Lite. All rights reserved.

Safety Instructions

NOTE: Read the entire Owner's Manual before you start installation and assembly.



WARNING

- Do not begin the installation until you have read and understood the instructions and warnings contained in this manual. If you have any questions regarding any of the instructions or warnings, please visit tripplite.com/support.
- This mounting bracket was designed to be installed and utilized ONLY as specified in this manual. Improper installation of this product may cause damage or serious injury.
- This product should only be installed by someone of good mechanical ability, with basic building experience and a full understanding of this instruction manual.
- Make sure that the mounting surface can safely support the combined load of the equipment and all attached hardware and components.
- If mounting to wood wall studs, make sure that mounting screws are anchored into the center of the studs. The use of a stud finder is highly recommended.
- Always use an assistant or mechanical lifting equipment to safely lift and position equipment.
- Tighten screws firmly, but do not over-tighten. Over-tightening screws can damage the items, greatly reducing their holding power.
- This product is intended for indoor use only. Using this product outdoors could lead to product failure and personal injury.

Warranty and Product Registration

5-Year Limited Warranty

Seller warrants this product, if used in accordance with all applicable instructions, to be free from original defects in material and workmanship for a period of 5 years from the date of initial purchase. If the product should prove defective in material or workmanship within that period, Seller will repair or replace the product, in its sole discretion.

THIS WARRANTY DOES NOT APPLY TO NORMAL WEAR OR TO DAMAGE RESULTING FROM ACCIDENT, MISUSE, ABUSE OR NEGLIGENCE. SELLER MAKES NO EXPRESS WARRANTIES OTHER THAN THE WARRANTY EXPRESSLY SET FORTH HEREIN. EXCEPT TO THE EXTENT PROHIBITED BY APPLICABLE LAW, ALL IMPLIED WARRANTIES, INCLUDING ALL WARRANTIES OF MERCHANTABILITY OR FITNESS, ARE LIMITED IN DURATION TO THE WARRANTY PERIOD SET FORTH ABOVE; AND THIS WARRANTY EXPRESSLY EXCLUDES ALL INCIDENTAL AND CONSEQUENTIAL DAMAGES. (Some states do not allow limitations on how long an implied warranty lasts, and some states do not allow the exclusion or limitation of incidental or consequential damages, so the above limitations or exclusions may not apply to you. This warranty gives you specific legal rights, and you may have other rights, which vary from jurisdiction to jurisdiction).

WARNING: The individual user should take care to determine prior to use whether this device is suitable, adequate or safe for the use intended. Since individual applications are subject to great variation, the manufacturer makes no representation or warranty as to the suitability or fitness of these devices for any specific application.

PRODUCT REGISTRATION

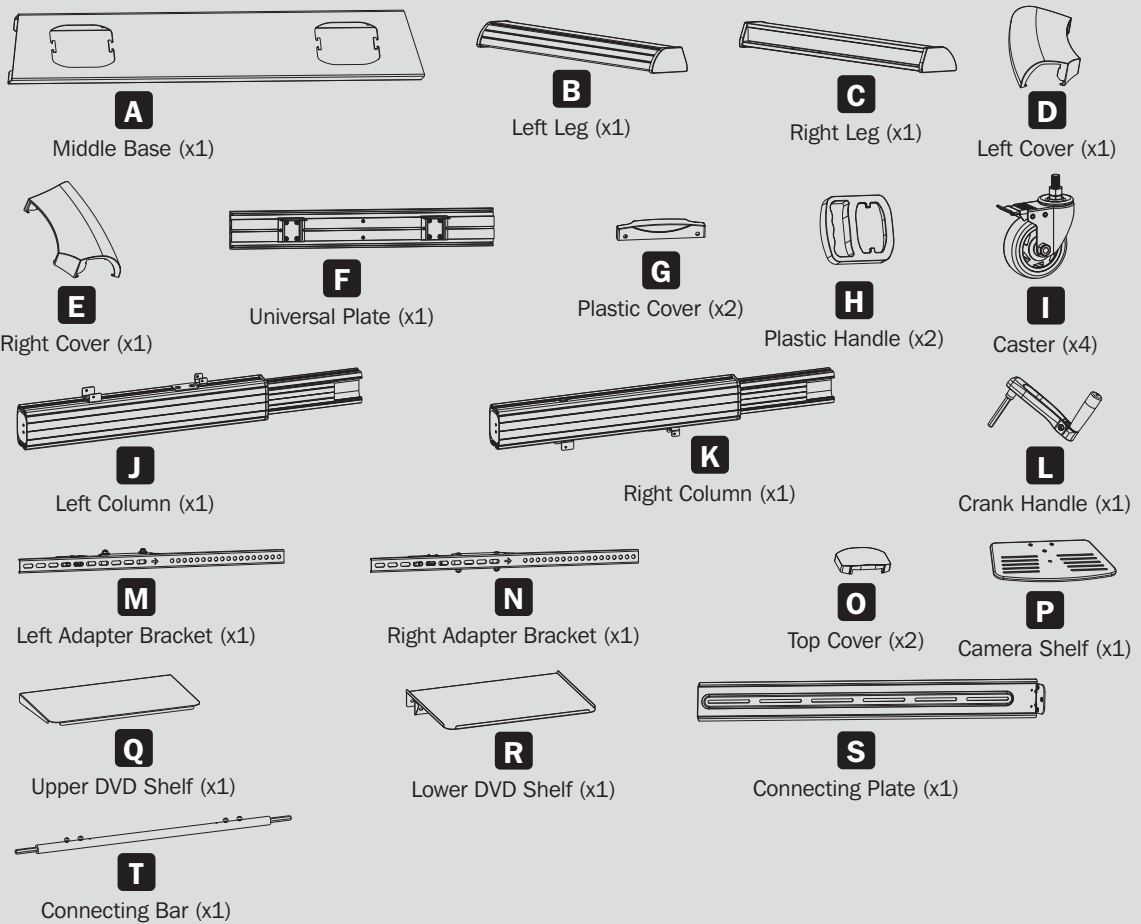
Visit tripplite.com/warranty today to register your new Tripp Lite product. You'll be automatically entered into a drawing for a chance to win a FREE Tripp Lite product!*

* No purchase necessary. Void where prohibited. Some restrictions apply. See website for details.

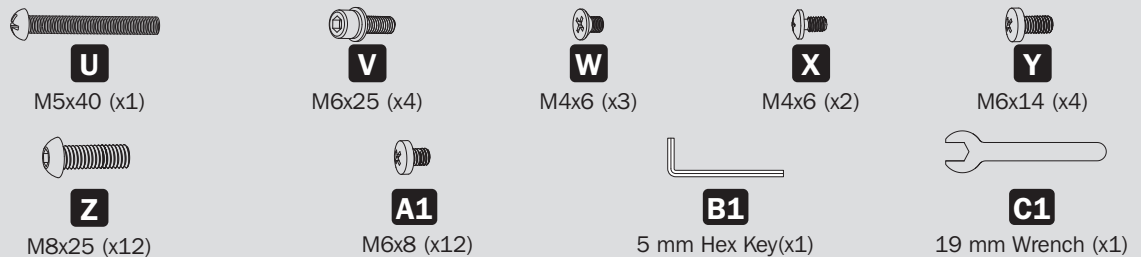
Tripp Lite has a policy of continuous improvement. Specifications are subject to change without notice. Photos and illustrations may differ slightly from actual products.

Component Checklist

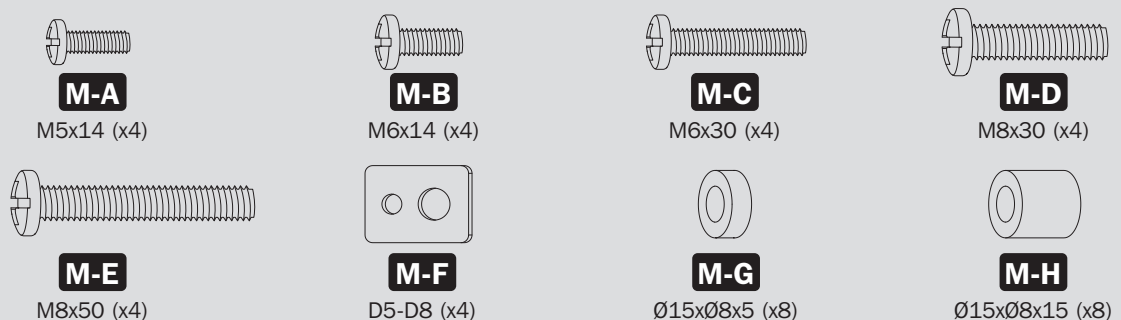
IMPORTANT: Ensure you have received all parts according to the component checklist prior to installing. If any parts are missing or faulty, visit triplite.com/support for service.



Package P

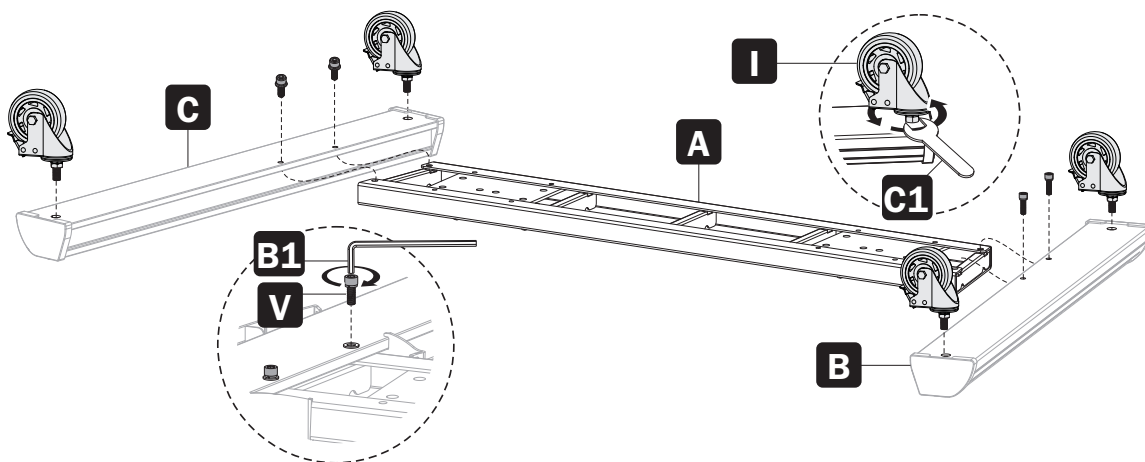


Package M



Assembly

1

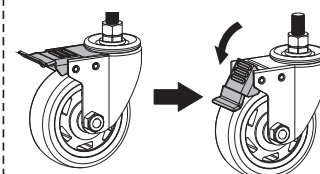


2

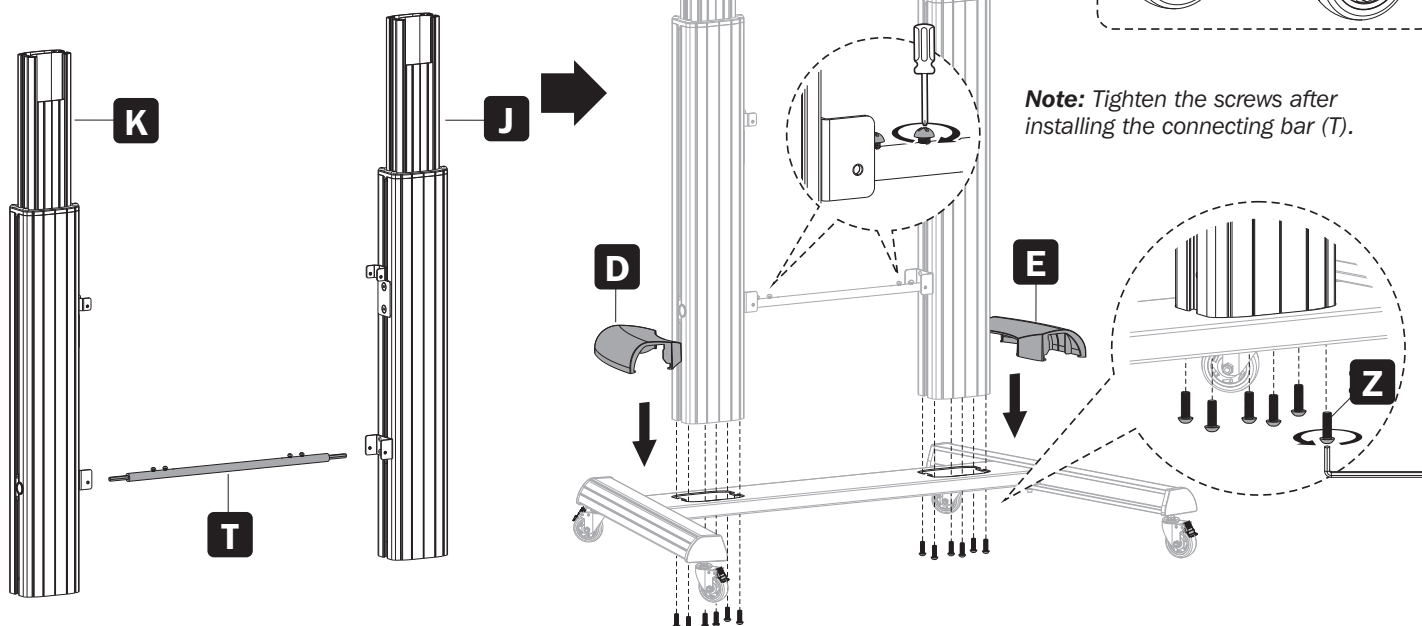


CAUTION: Hold the inner column when loosening screws to adjust height. Adjust to the desired height, then tighten the screws, leaving a small gap between screws (Z) and the outer columns. Also, make sure the left and right inner columns are at the same height.

Install the heavy-duty locking casters into the threaded caster slots. Use the wrench (C1) to tighten the casters .

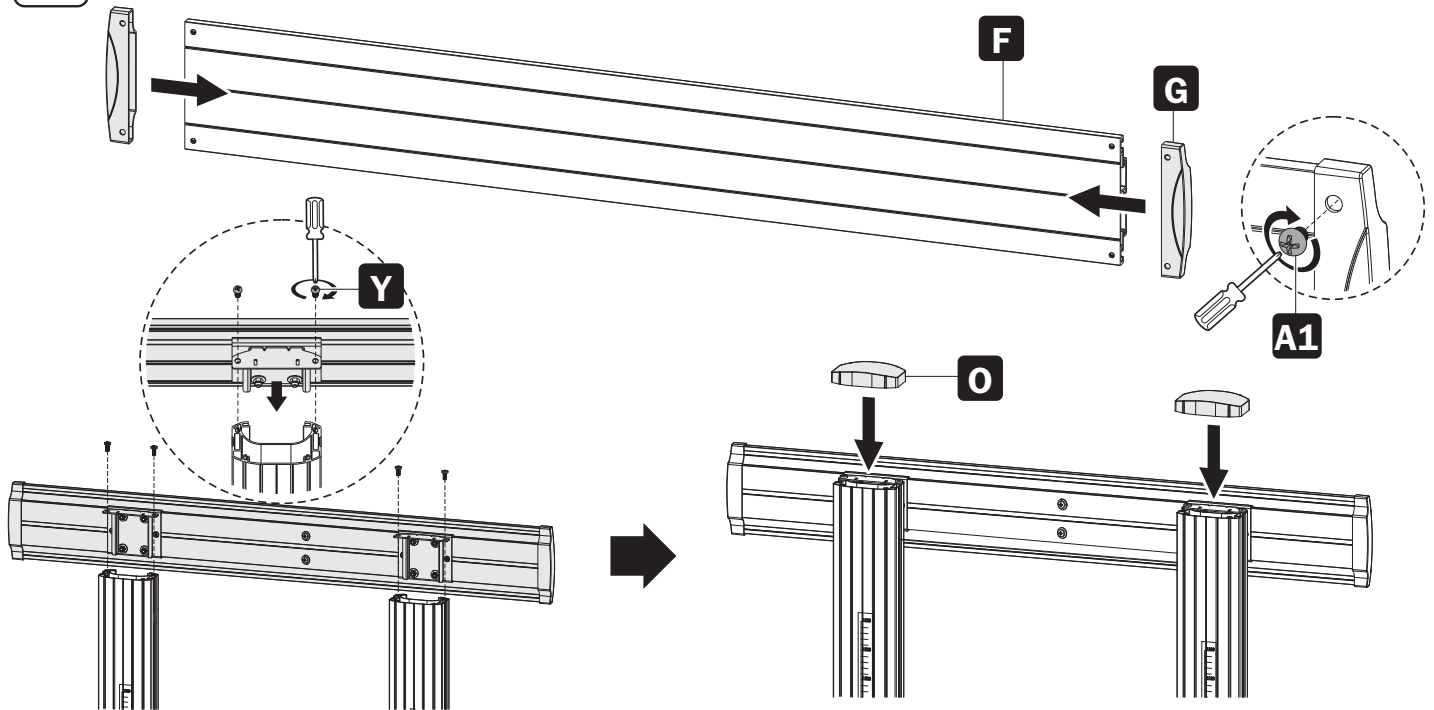


Note: Tighten the screws after installing the connecting bar (T).



Assembly

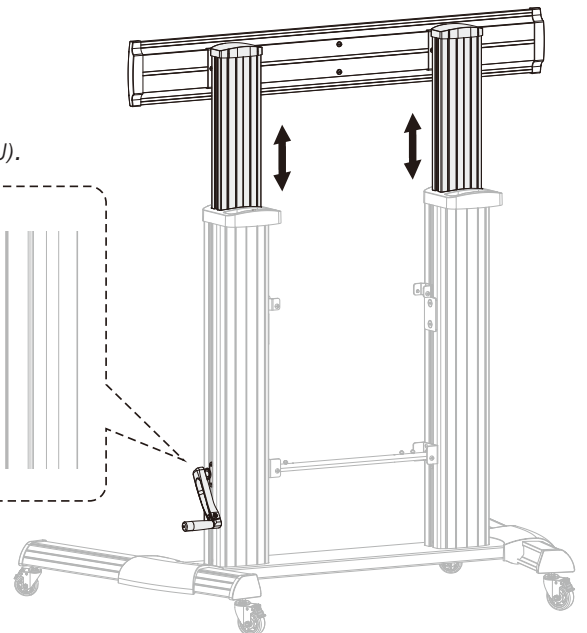
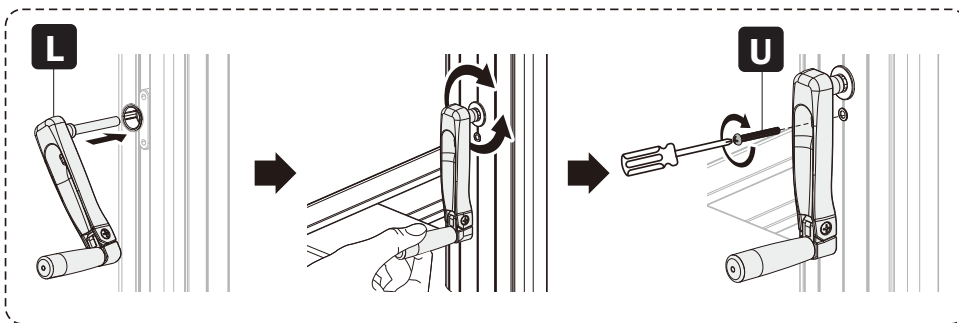
3



CAUTION: After assembling the universal plate (F) to the columns as shown, tighten the screws (Z).

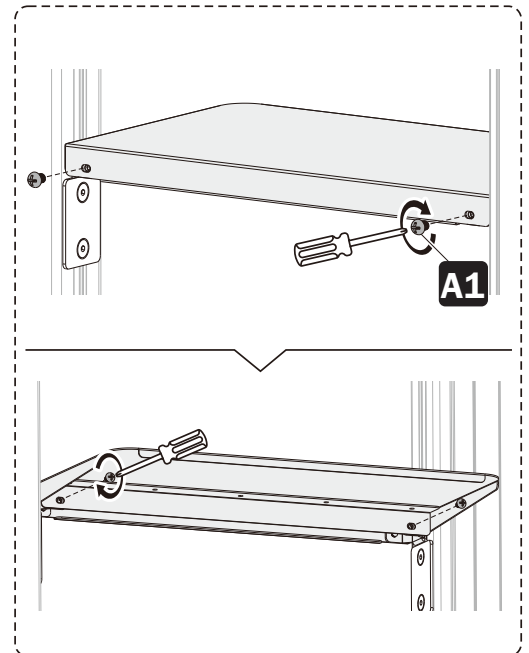
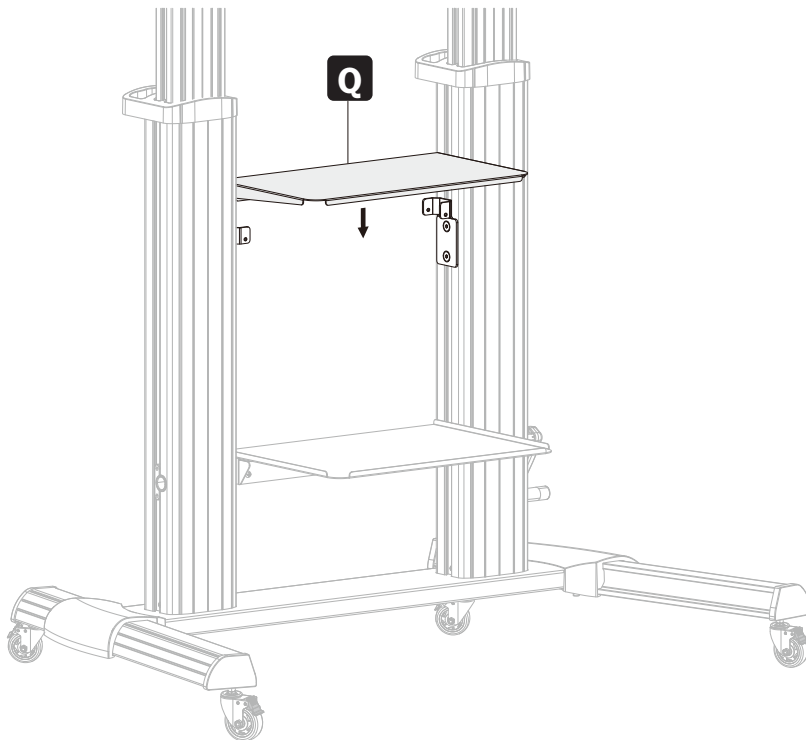
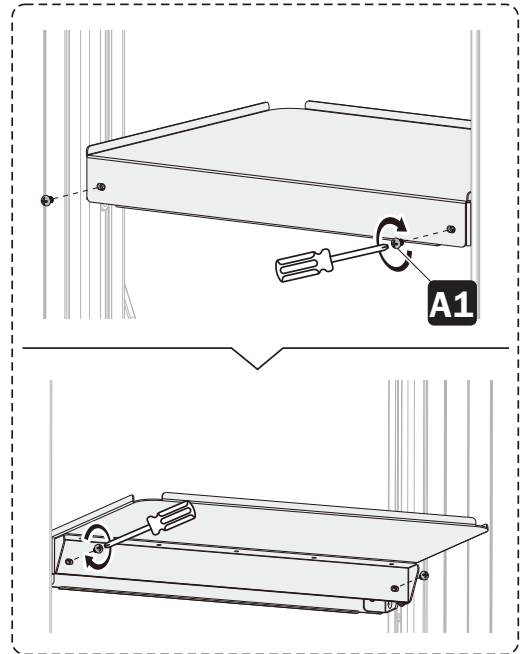
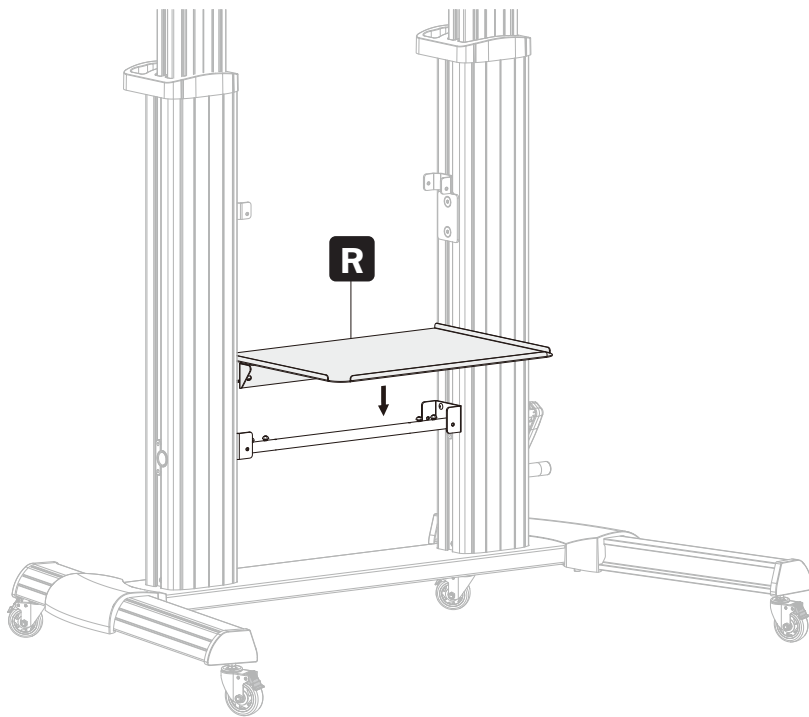
4

Note: Adjust the height with the crank handle (L), then tighten the screw (U).



Assembly

5



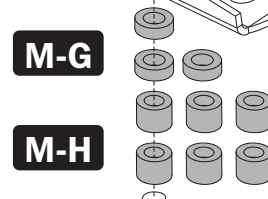
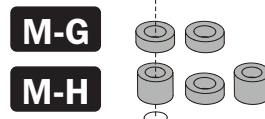
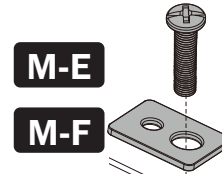
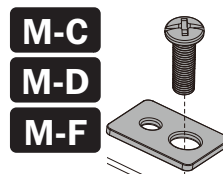
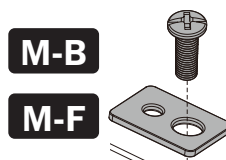
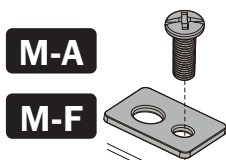
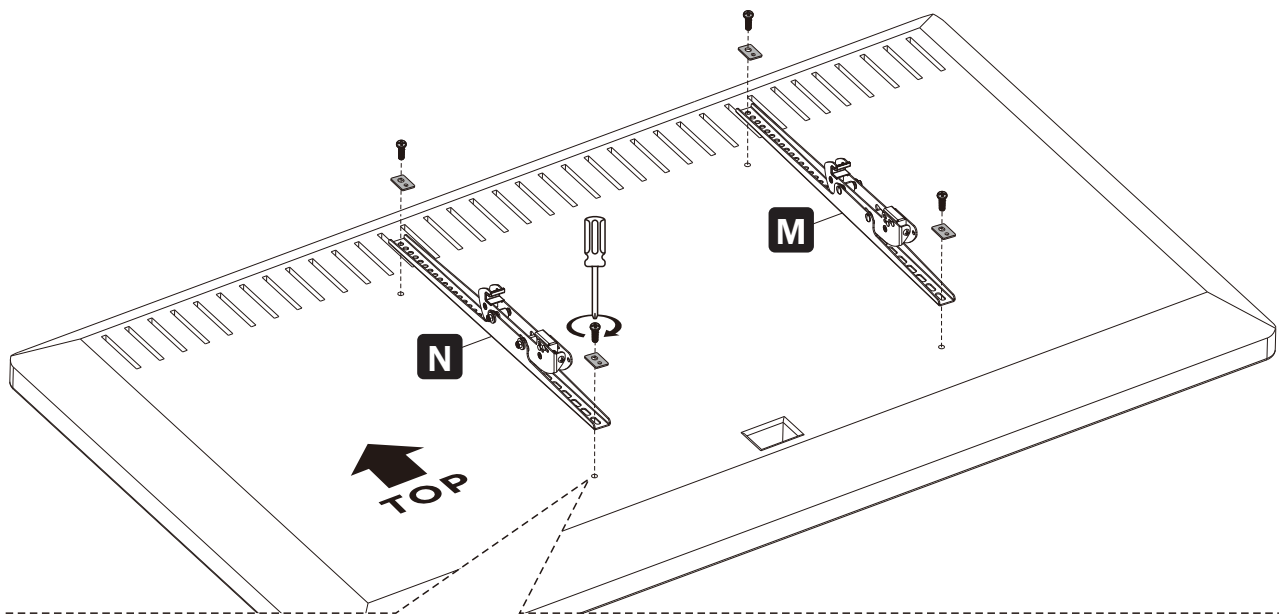
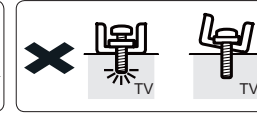
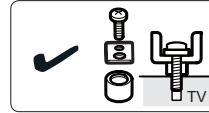
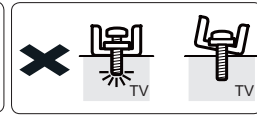
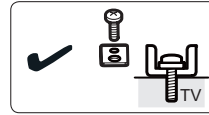
Assembly

6

Note: Choose the appropriate screws, washers and spacers (if needed) according to the type of screen. Screw the adapter brackets onto the display.

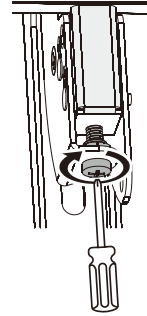
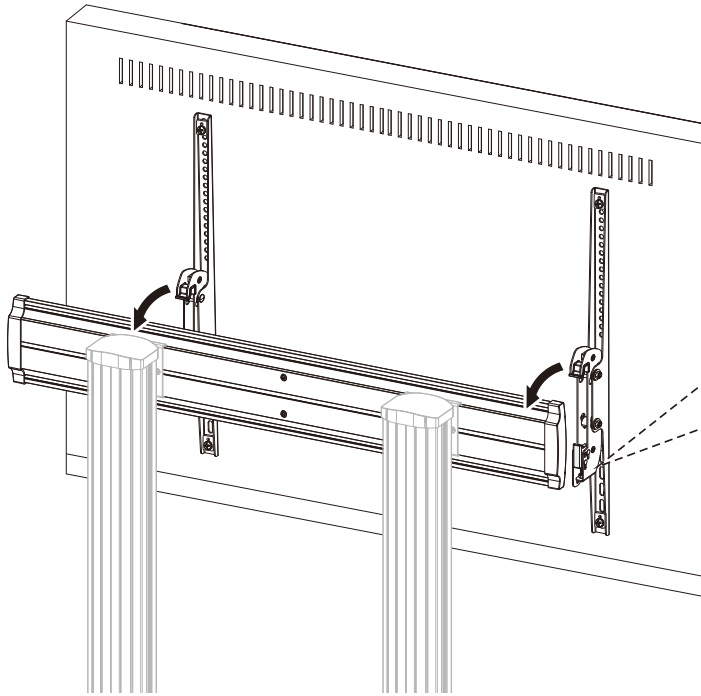


CAUTION: Tighten all screws but do not over tighten.



Assembly

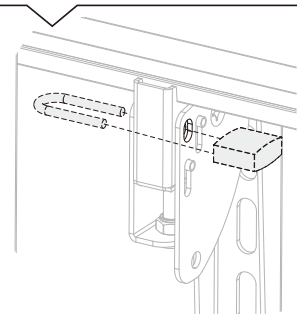
7



Notes:

- To lock, rotate the bottom screws counterclockwise.
- To unlock, rotate the bottom screws clockwise.

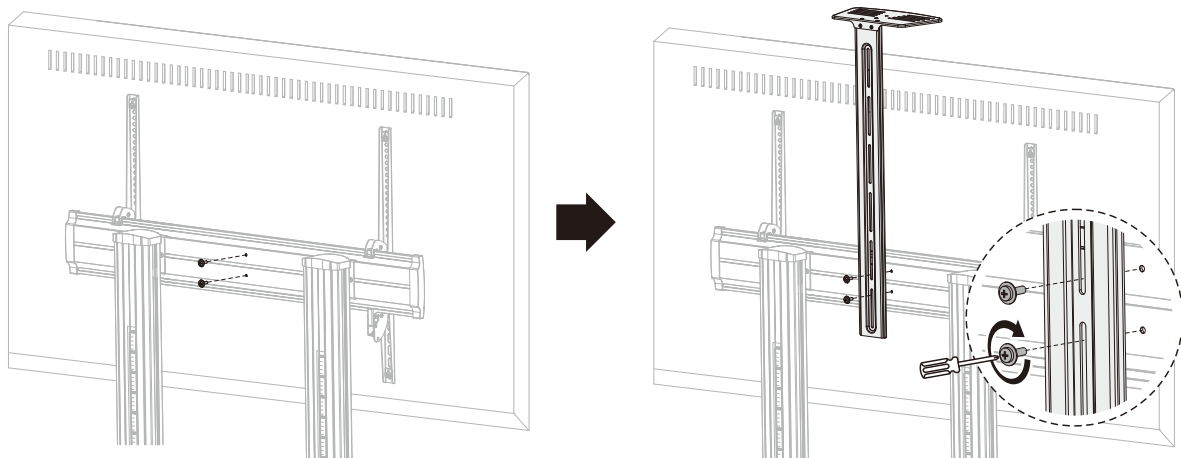
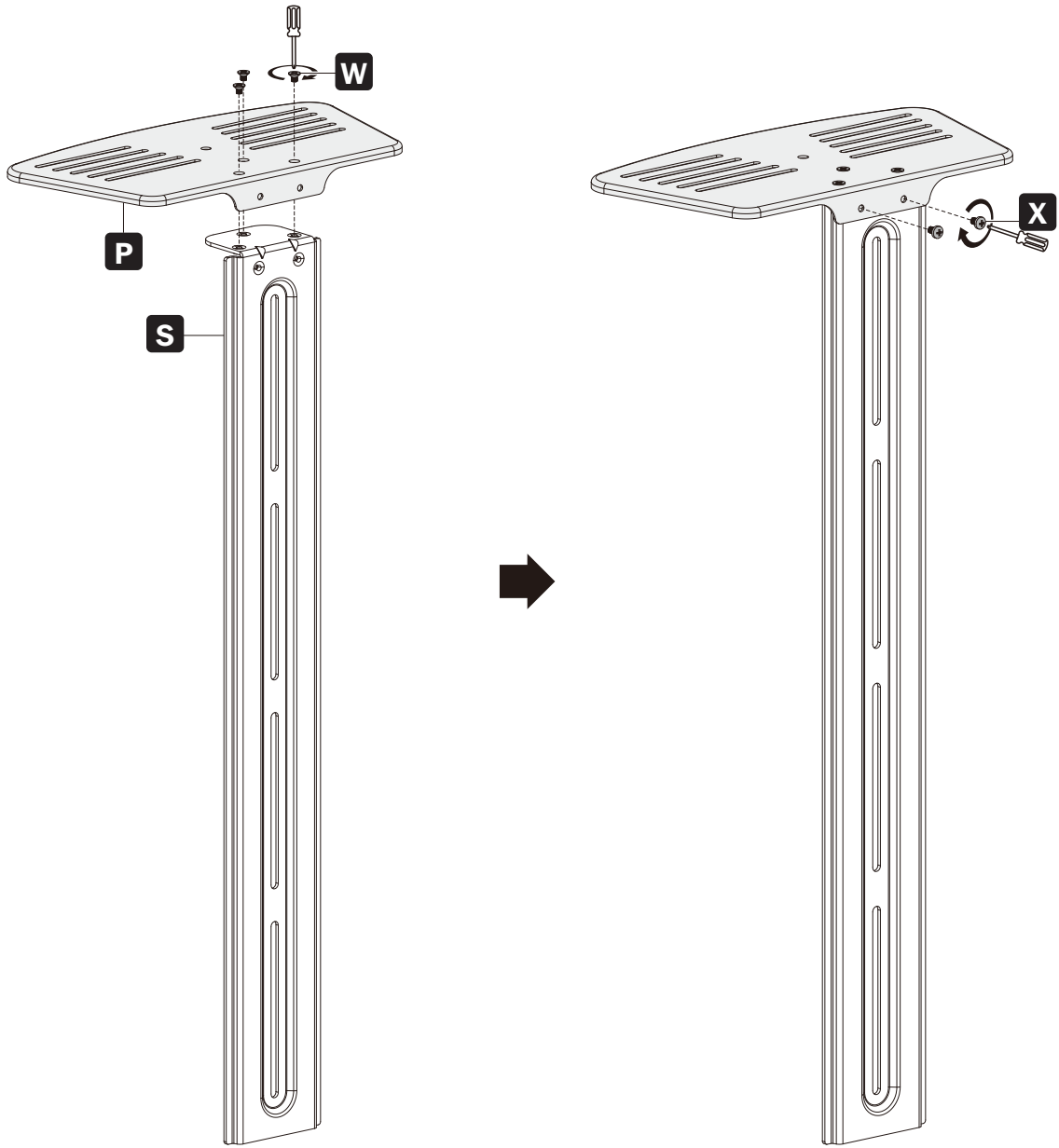
Note: Use a padlock (not included) to protect the display from tampering or theft.



CAUTION: Be sure the display is correctly mounted and the screws are securely tightened before releasing the display.

Assembly

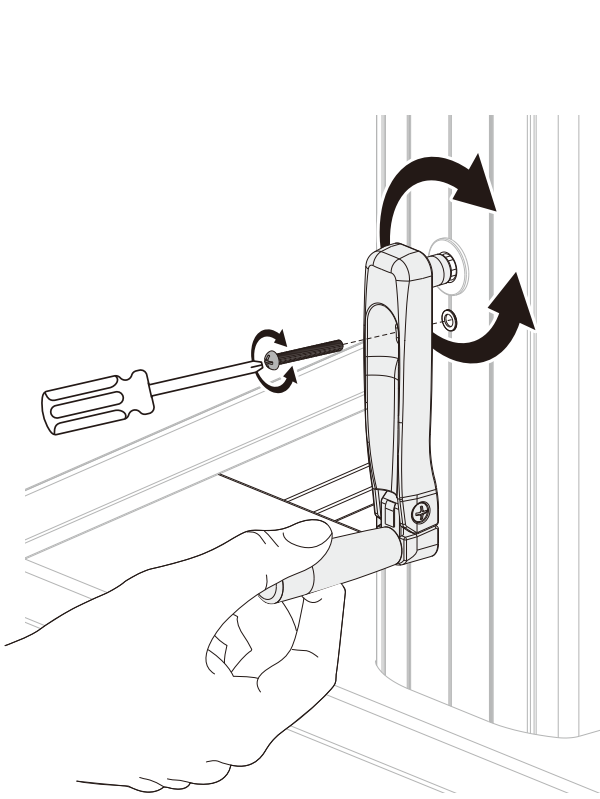
8



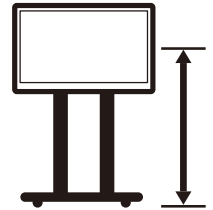
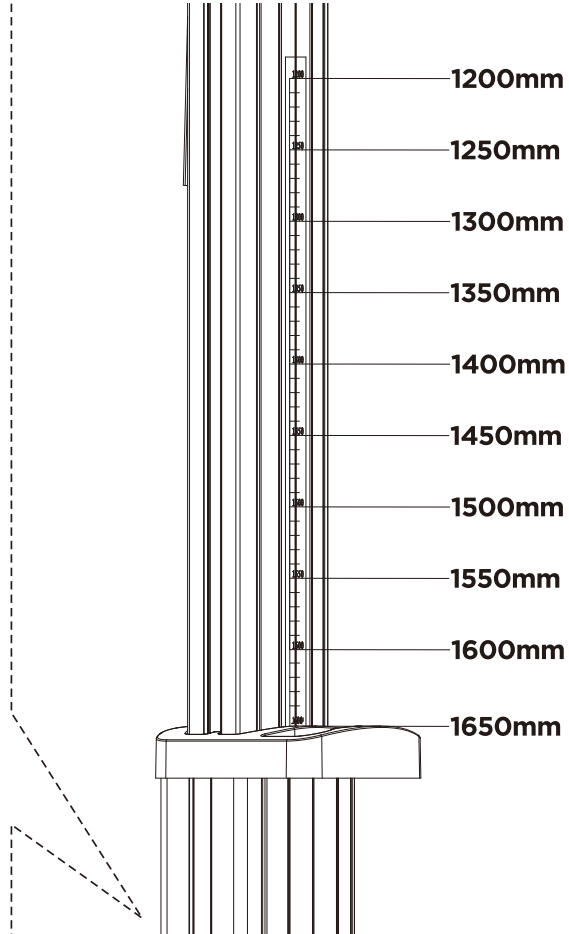
9

Adjustment

9



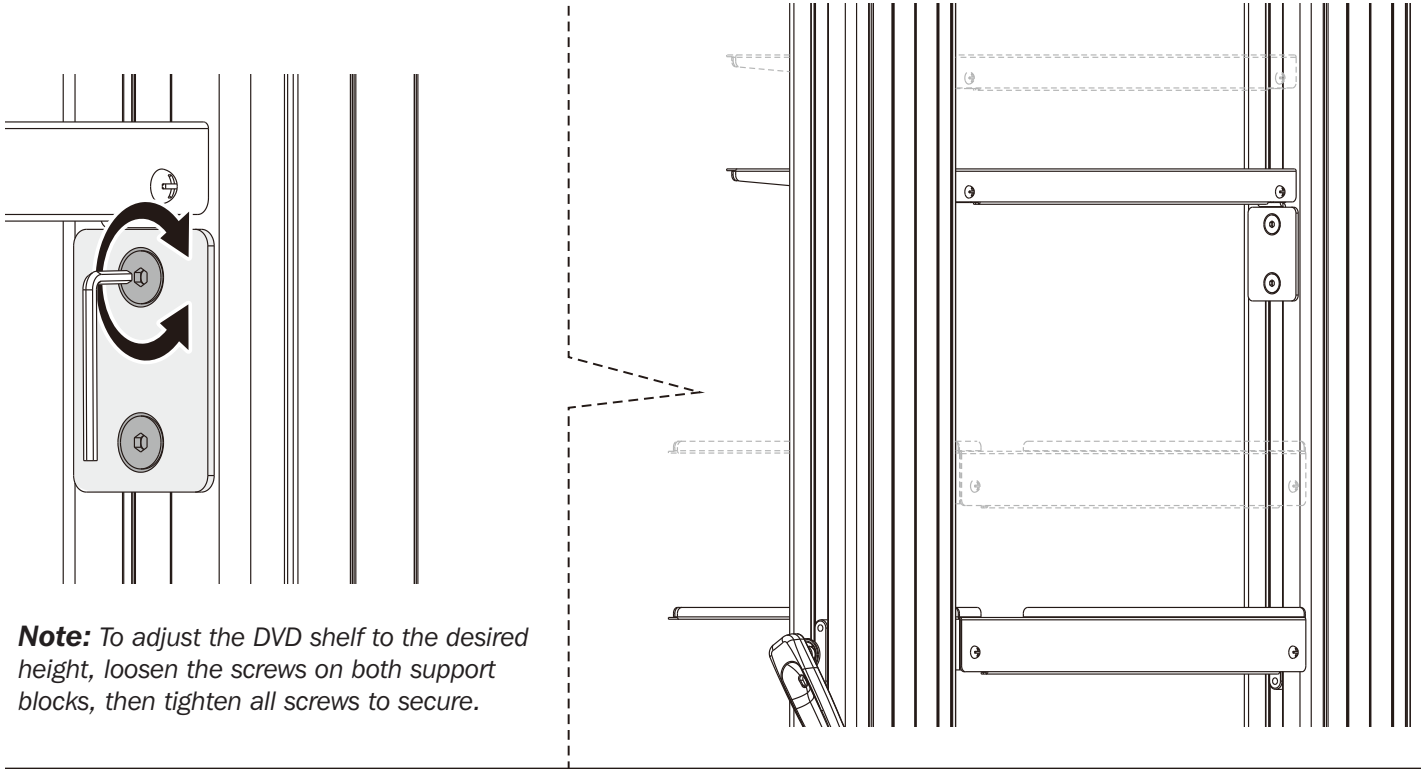
Note: Loosen the screw, as shown. Use the handle to adjust the column to the desired height, then tighten the screw to secure.



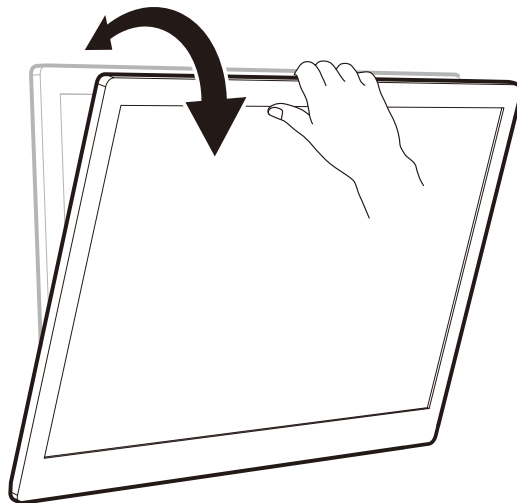
Keep the monitor arm horizontal while making spring tension adjustments. Prior to any arm movement, fully remove the Allen key. (Note: DO NOT over-tighten screw.)

Adjustment

10



Note: To adjust the DVD shelf to the desired height, loosen the screws on both support blocks, then tighten all screws to secure.



Maintenance

- Check that the bracket is secure and safe to use at regular intervals (at least every three months).
- For any additional questions, visit tripplite.com/support.



1111 W. 35th Street, Chicago, IL 60609 USA • triplite.com/support

21-08-119 933F2E_RevB