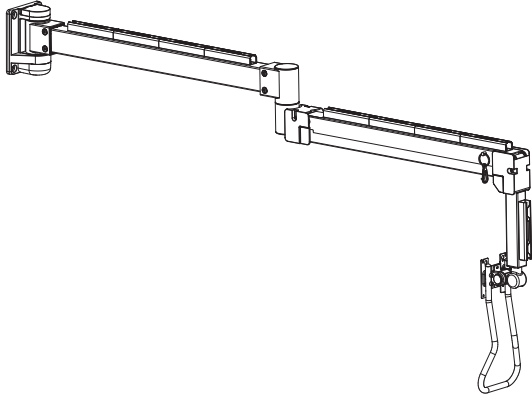


Owner's Manual



Extended Reach Wall-Mount Monitor Arm with Antimicrobial Tape*

Model: DWMLARM1732AM



CAUTION: DO NOT EXCEED MAXIMUM LISTED WEIGHT CAPACITY. SERIOUS INJURY OR PROPERTY DAMAGE MAY OCCUR!



75 x 75
100 x 100



Safe-IT™
AntiMICROBIAL
PRODUCTS

*Antimicrobial tape on handle aids in resisting the growth of bacteria, viruses, fungi, mold and mildew.

Este manual esta disponible en español en la página de Tripp Lite: tripplite.com

Ce manuel est disponible en français sur le site Web de Tripp Lite : tripplite.com

Русскоязычная версия настоящего руководства представлена на веб-сайте компании Tripp Lite по адресу: tripplite.com

Dieses Handbuch ist in deutscher Sprache auf der Tripp Lite-Website verfügbar: tripplite.com

WARRANTY REGISTRATION

Register your product today and be automatically entered to win an ISOBAR® surge protector in our monthly drawing!

tripplite.com/warranty



TRIPP-LITE



1111 W. 35th Street, Chicago, IL 60609 USA • tripplite.com/support

Copyright © 2021 Tripp Lite. All rights reserved.

Safety Instructions

NOTE: Read the entire instruction manual before you start assembly and installation.



- Do not begin the installation until you have read and understood the instructions and warnings contained in this manual. If you have any questions regarding any of the instructions or warnings, please visit triplite.com/support.
- This mount was designed to be installed and utilized ONLY as specified in this manual. Improper installation of this product may cause damage or serious injury.
- This product should only be installed by someone of good mechanical ability, with basic building experience and a full understanding of this instruction manual.
- Ensure the mounting surface can safely support the combined load of the equipment and all attached hardware and components.
- Use an assistant or mechanical lifting equipment to safely lift and position equipment.
- Tighten screws firmly, but do not over-tighten. Over-tightening screws can damage the unit and greatly reduce the screws' holding power.
- This product is intended for indoor use only. Using this product outdoors could lead to product failure and personal injury.

Warranty and Product Registration

5-Year Limited Warranty

Seller warrants this product, if used in accordance with all applicable instructions, to be free from original defects in material and workmanship for a period of 5 years from the date of initial purchase. If the product should prove defective in material or workmanship within that period, Seller will repair or replace the product, at its sole discretion.

THIS WARRANTY DOES NOT APPLY TO NORMAL WEAR OR TO DAMAGE RESULTING FROM ACCIDENT, MISUSE, ABUSE OR NEGLIGENCE. SELLER MAKES NO EXPRESS WARRANTIES OTHER THAN THE WARRANTY EXPRESSLY SET FORTH HEREIN. EXCEPT TO THE EXTENT PROHIBITED BY APPLICABLE LAW, ALL IMPLIED WARRANTIES, INCLUDING ALL WARRANTIES OF MERCHANTABILITY OR FITNESS, ARE LIMITED IN DURATION TO THE WARRANTY PERIOD SET FORTH ABOVE; AND THIS WARRANTY EXPRESSLY EXCLUDES ALL INCIDENTAL AND CONSEQUENTIAL DAMAGES. (Some states do not allow limitations on how long an implied warranty lasts, and some states do not allow the exclusion or limitation of incidental or consequential damages, so the above limitations or exclusions may not apply to you. This warranty gives you specific legal rights, and you may have other rights which vary from jurisdiction to jurisdiction.)

WARNING: The individual user should take care to determine prior to use whether this device is suitable, adequate or safe for the use intended. Since individual applications are subject to great variation, the manufacturer makes no representation or warranty as to the suitability or fitness of these devices for any specific application.

PRODUCT REGISTRATION

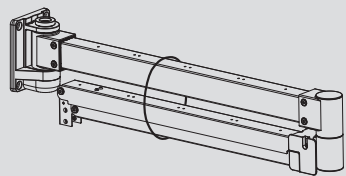
Visit triplite.com/warranty today to register your new Tripp Lite product. You'll be automatically entered into a drawing for a chance to win a FREE Tripp Lite product!*

* No purchase necessary. Void where prohibited. Some restrictions apply. See website for details.

Tripp Lite has a policy of continuous improvement. Specifications are subject to change without notice. Photos and illustrations may differ slightly from actual products.

Component Checklist

IMPORTANT: Ensure you have received all parts according to the component checklist prior to installing. If any parts are missing or faulty, visit triplite.com/support for service.



A
(x1)



B
(x1)



C
(x1)



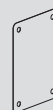
D
(x1)



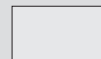
E
(x9)



F
(x1)



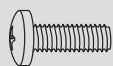
G
(x1)



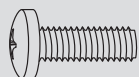
90x53 mm
Antimicrobial Tape

P
(x1)

Package M



M-A
M4x12 (x4)



M-B
M5x12 (x4)

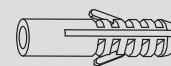


M-C
D5 (x4)

Package W



W-A
(x4)



W-B
(x4)



W-C
(x4)

Package P1



I
(x4)



J
M5x6 (x20)



K
M6x10 (x4)

Package P2



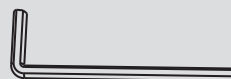
H
(x4)



L
4 mm (x1)



M
5 mm (x1)



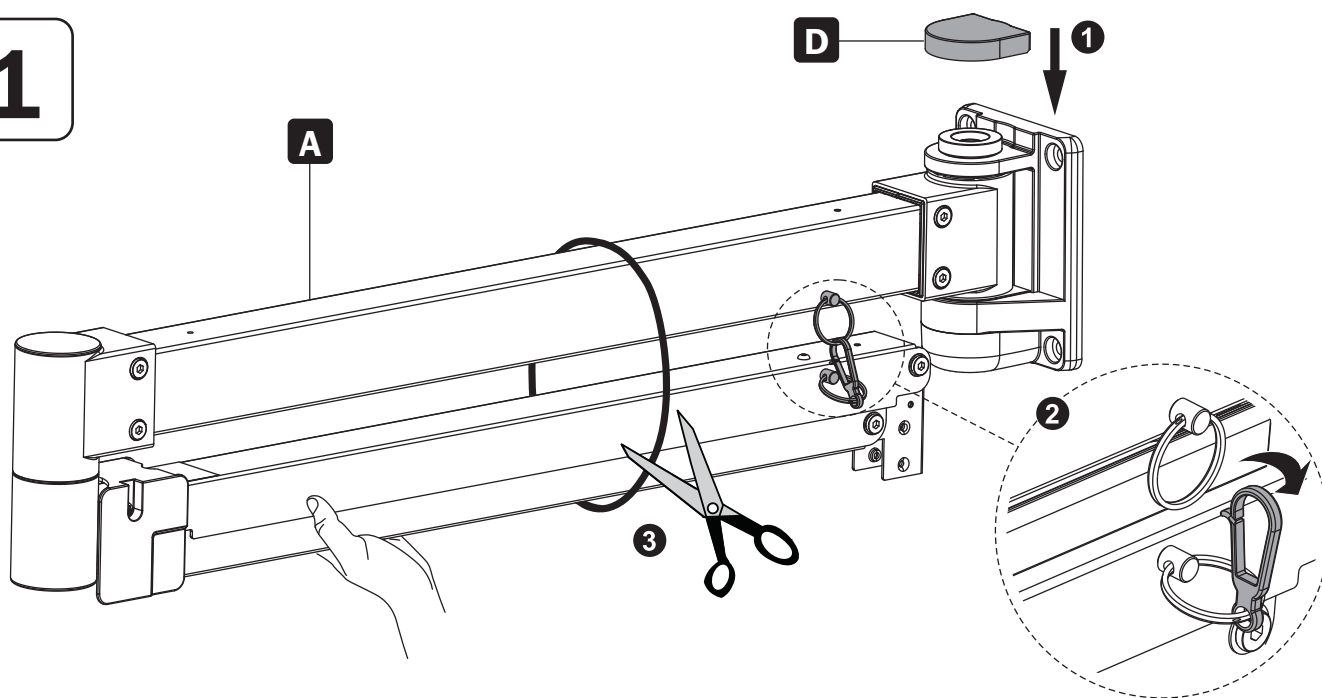
N
6 mm (x1)



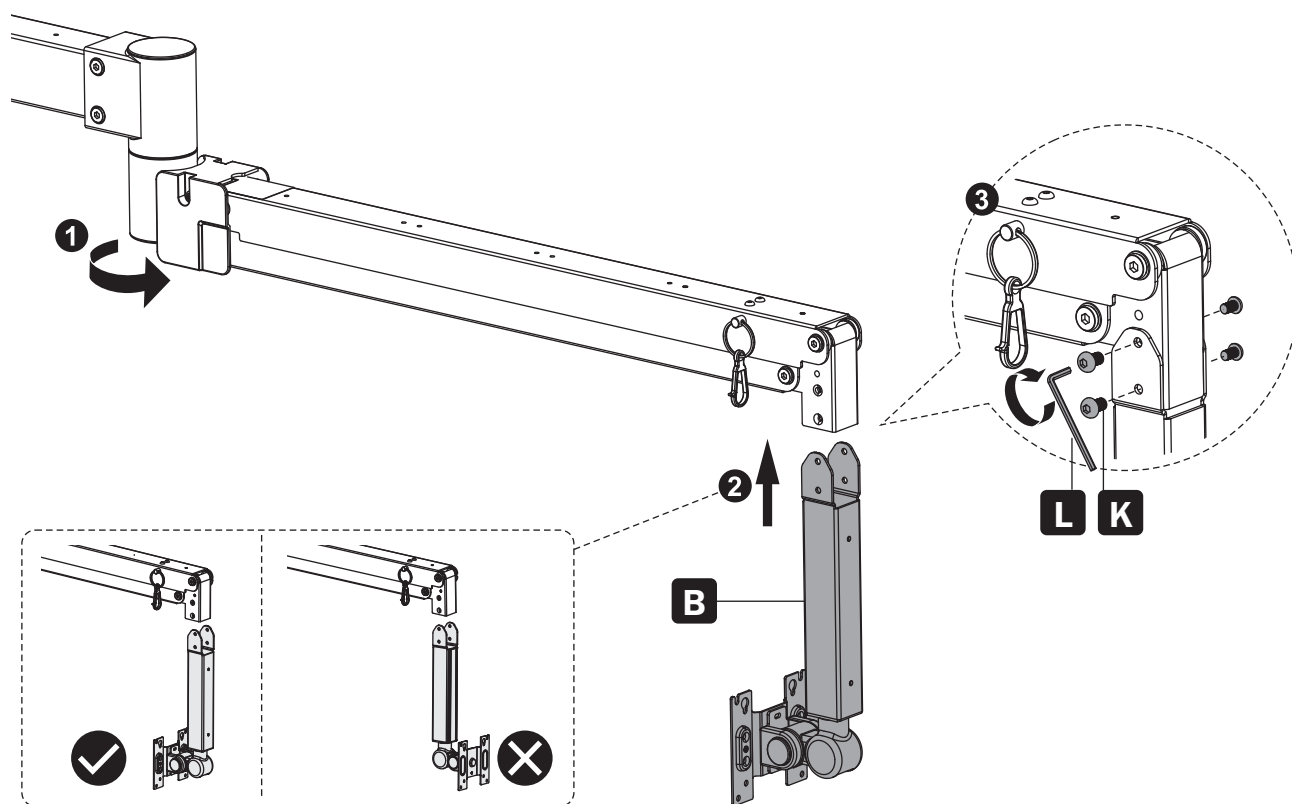
O
(x1)

Assembly

1

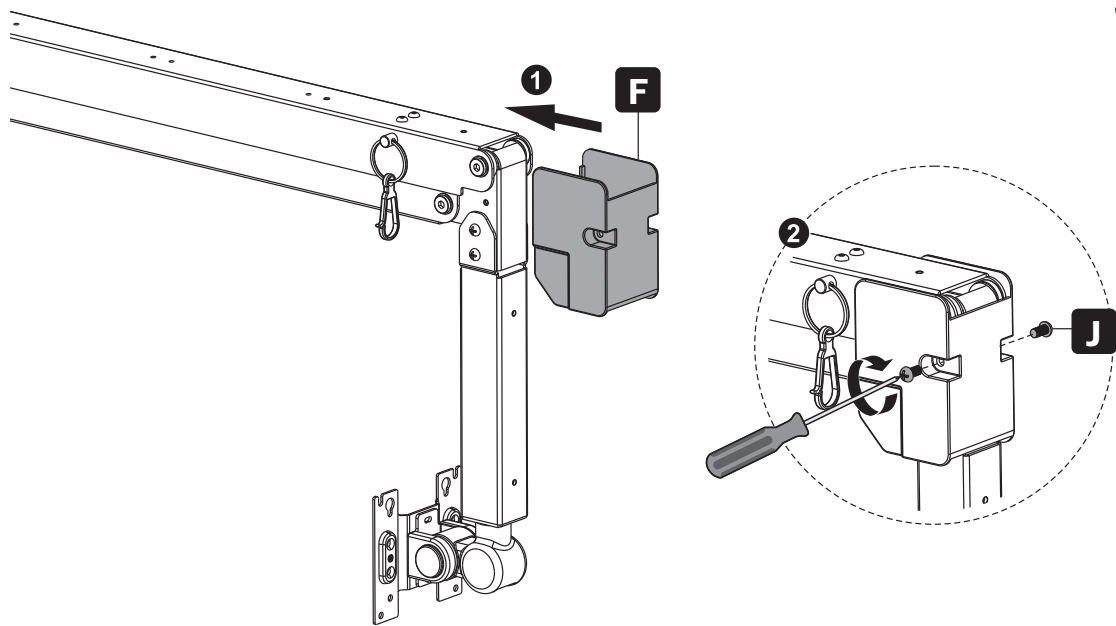


2

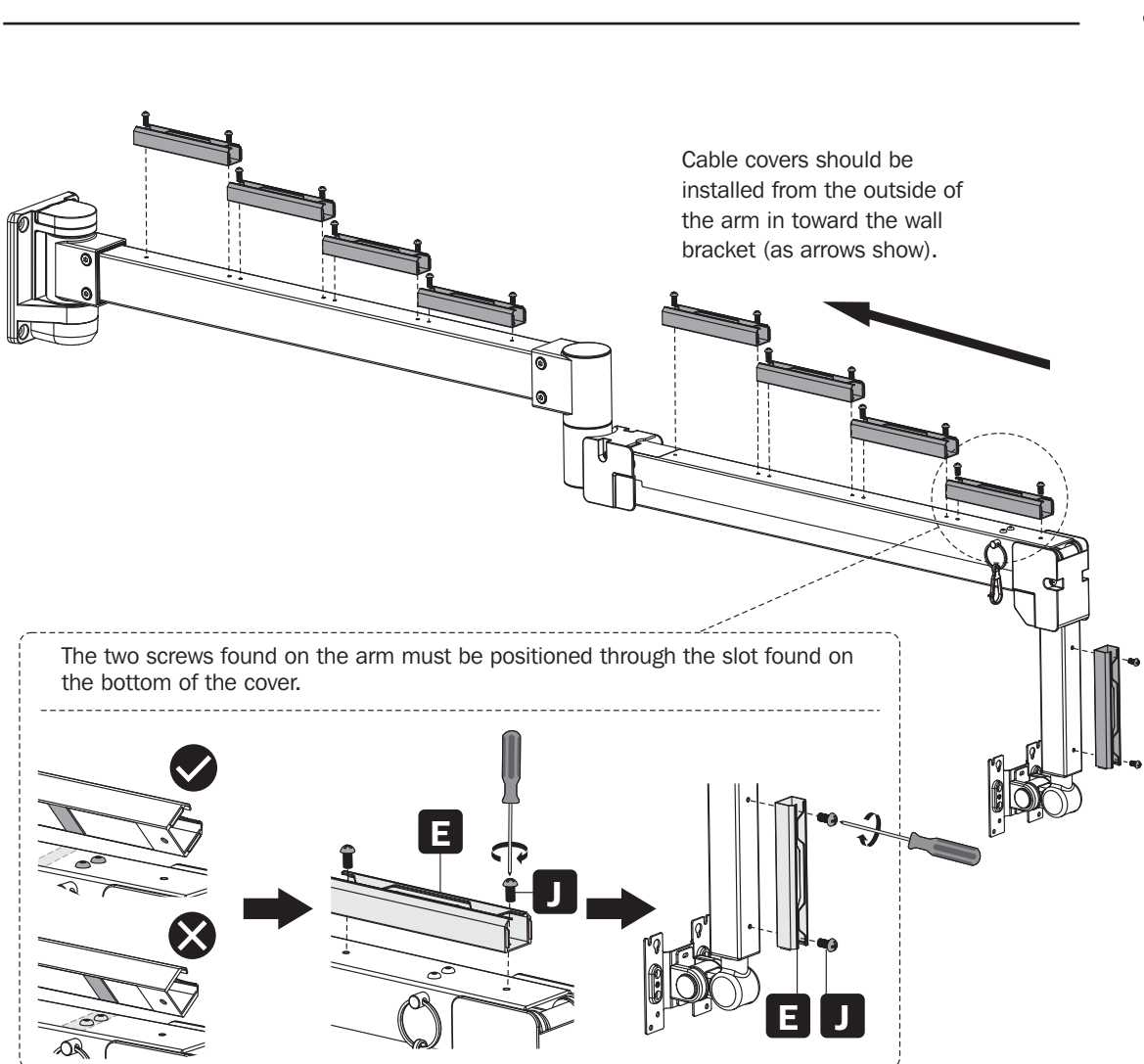


Assembly

3



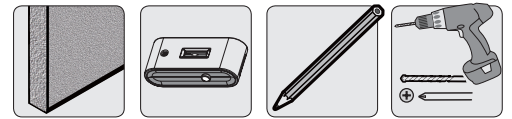
4



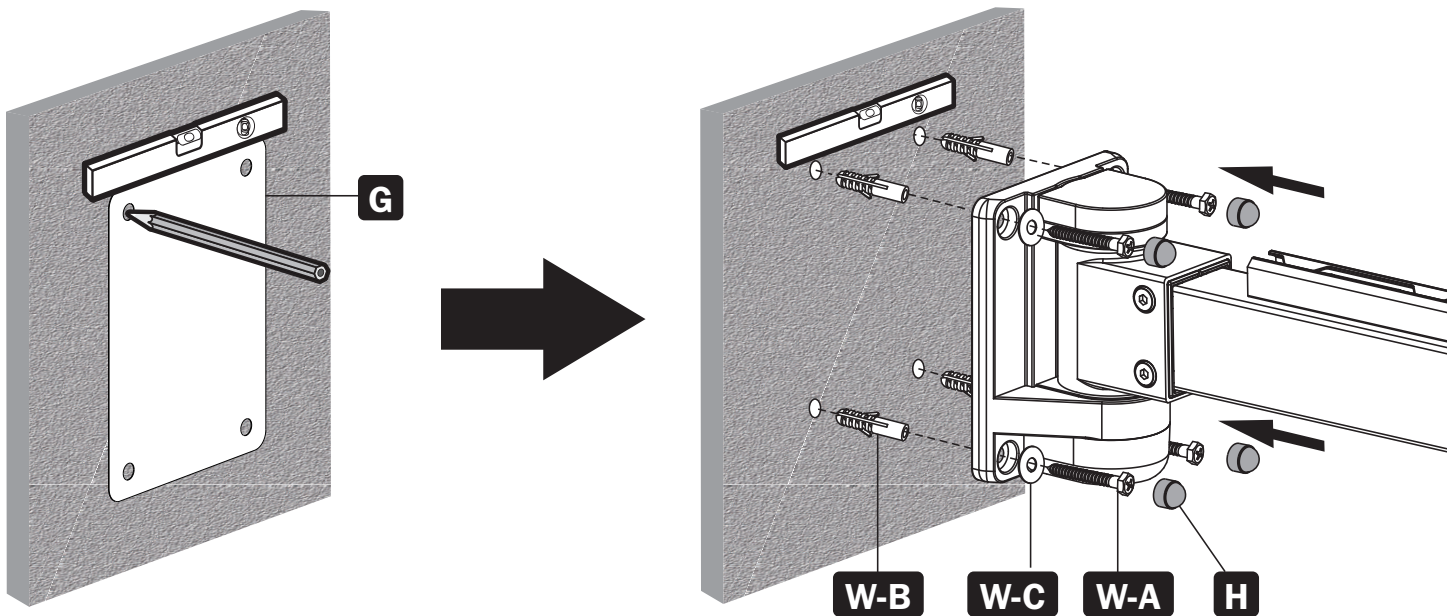
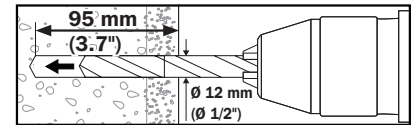
Installation

5

Mounting on Solid Walls

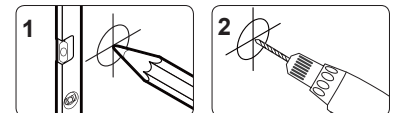


Note: This product is designed to be installed on solid concrete or masonry walls.



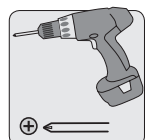
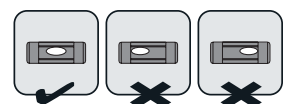
WARNING

- Installers are responsible to provide hardware for other types of mounting situations.
- Installers must verify that the supporting surface will safely support the combined load of the equipment and all attached hardware and components.



1 Use the template and a pencil to find and mark the exact location of the mounting holes.

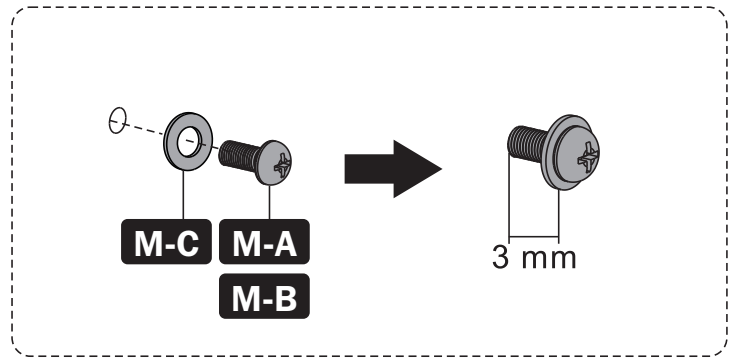
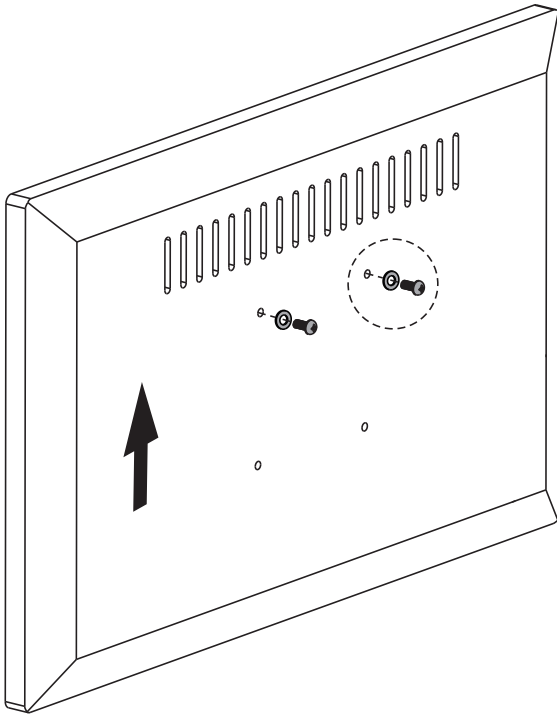
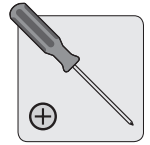
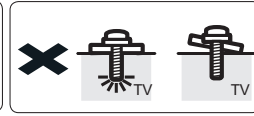
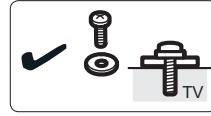
2 Drill pilot holes.



Screw the wall mount onto the wall.

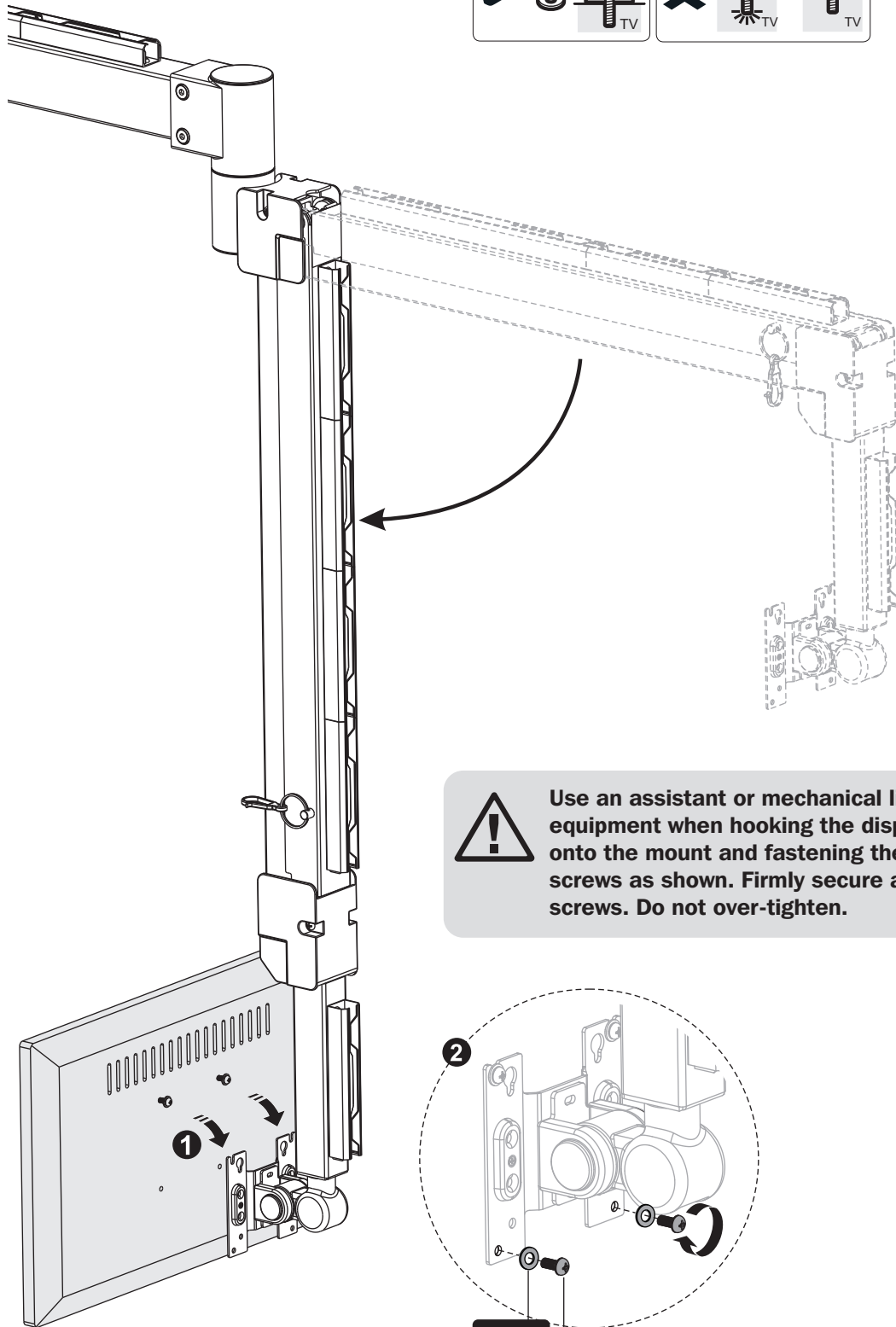
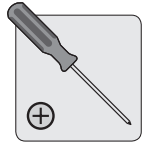
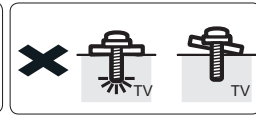
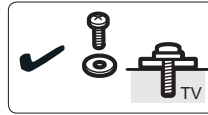
Attaching the Display


6

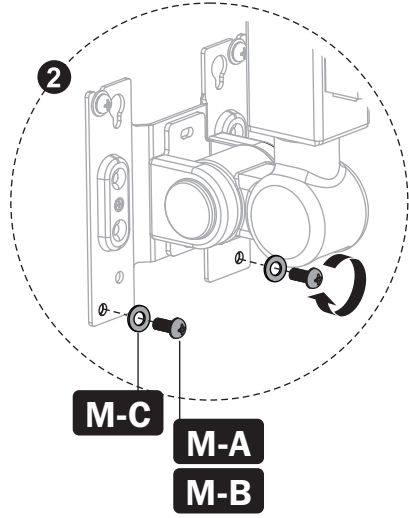


Attaching the Display

7

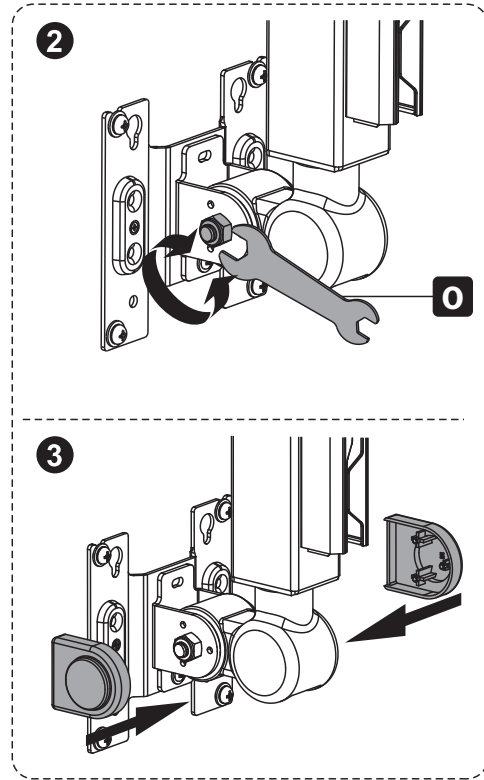
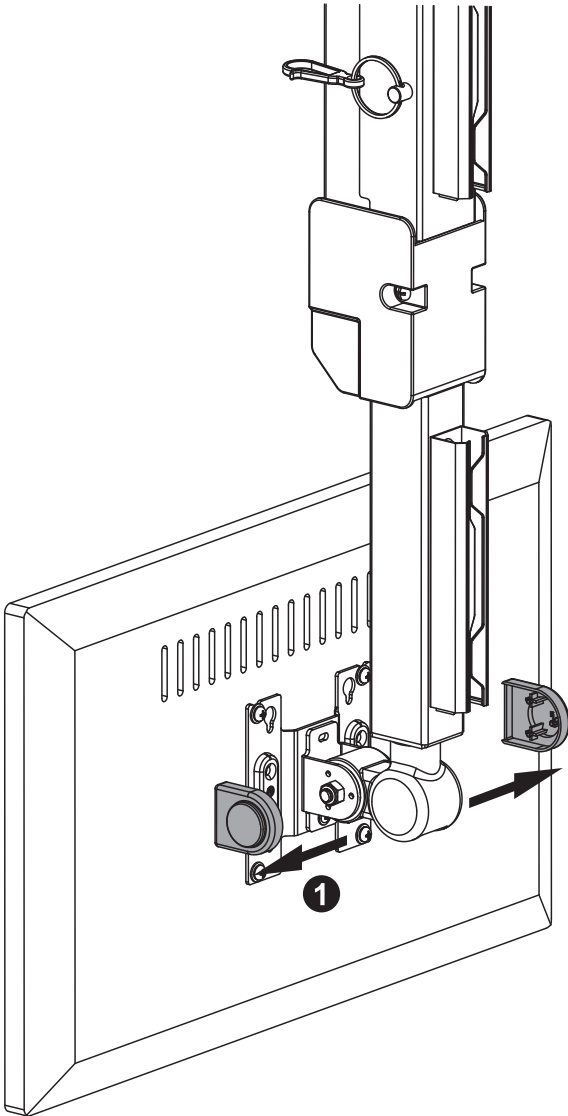


 Use an assistant or mechanical lifting equipment when hooking the display onto the mount and fastening the screws as shown. Firmly secure all screws. Do not over-tighten.



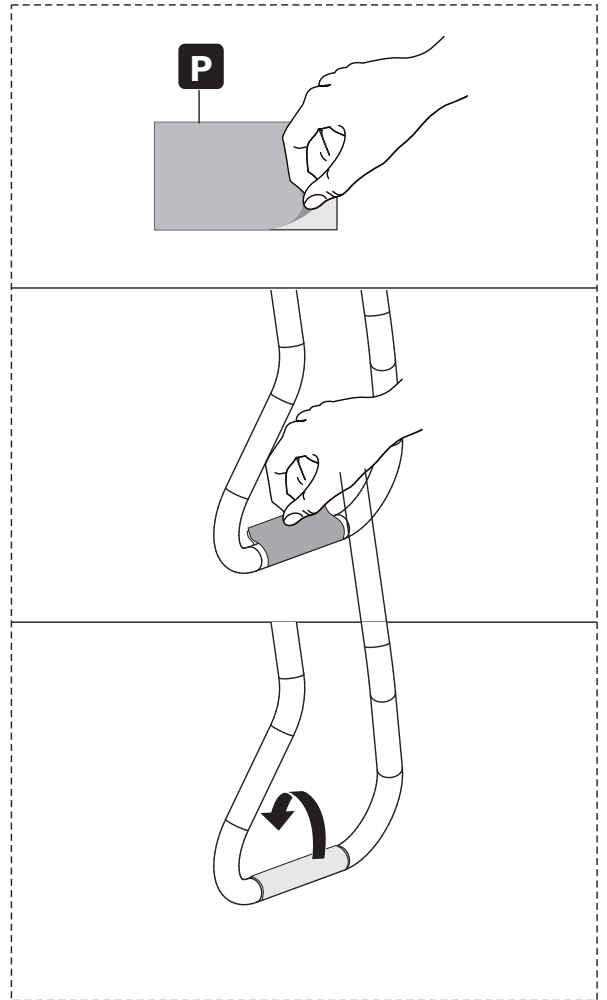
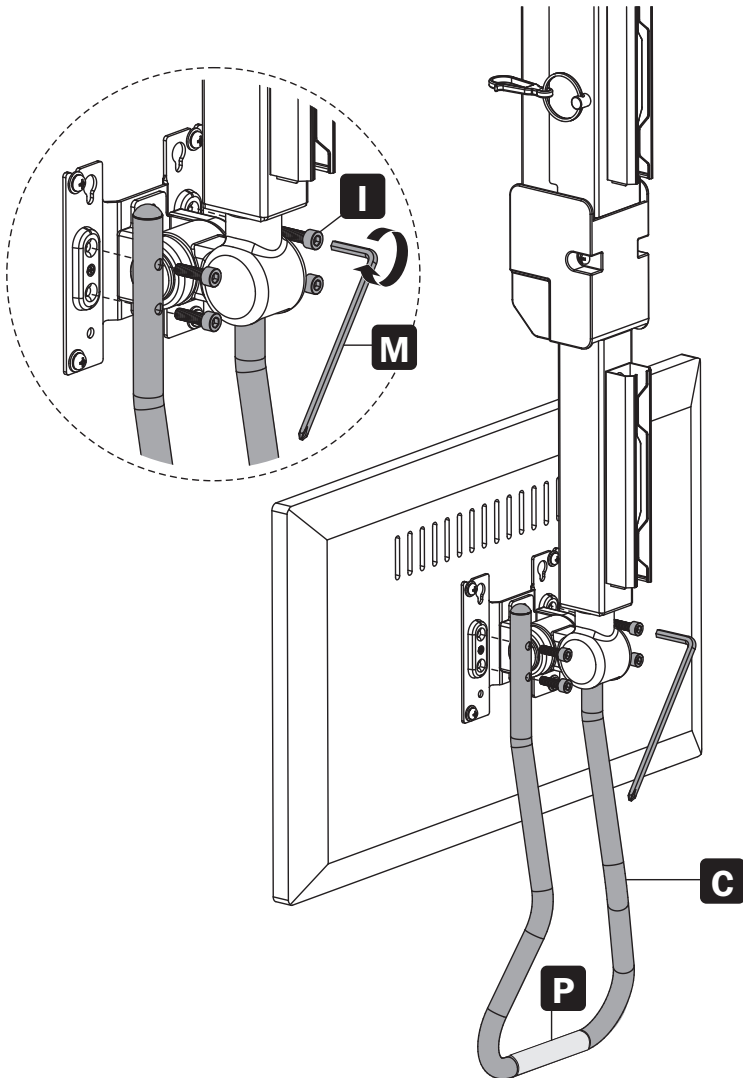
Attaching the Display

8



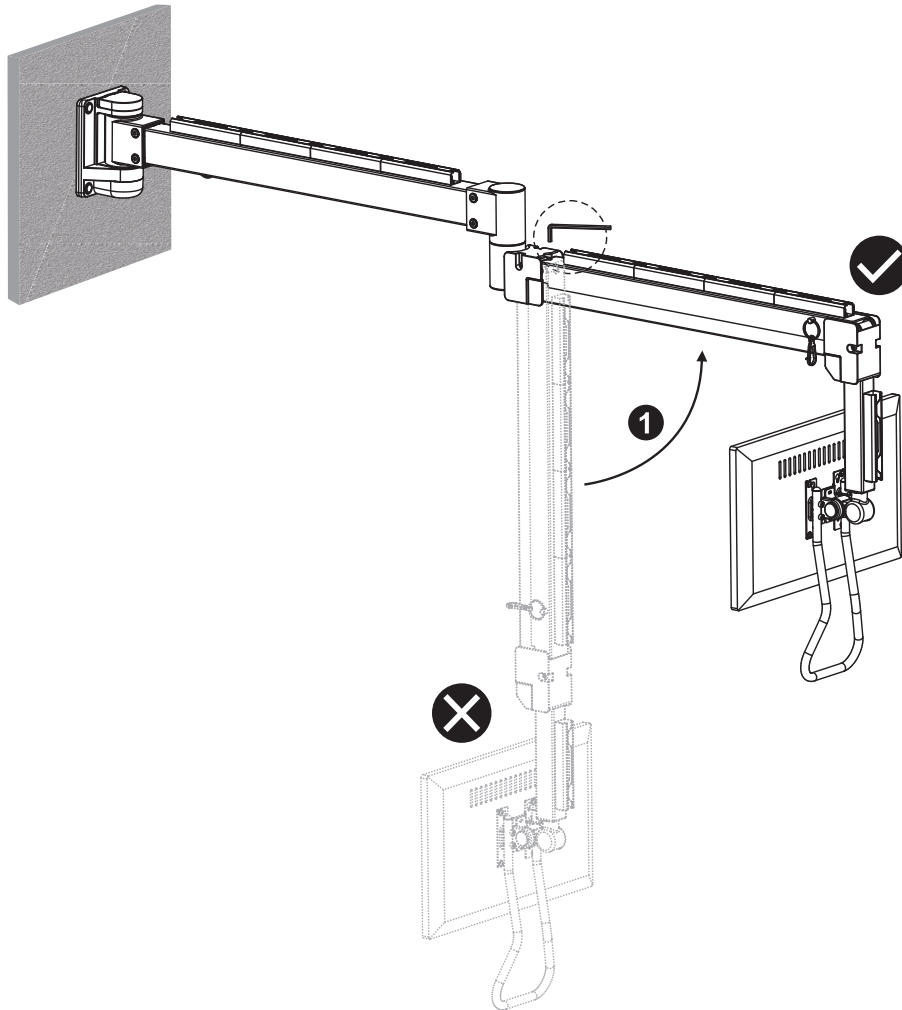
Attaching the Handle

9

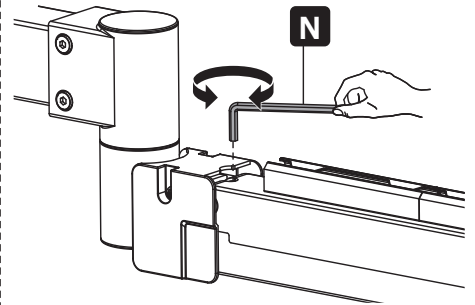


Adjustment

10





- 2** Keep the monitor arm horizontal while making spring tension adjustments. Prior to any arm movement, fully remove the hex key. (Note: DO NOT over-tighten screw.)



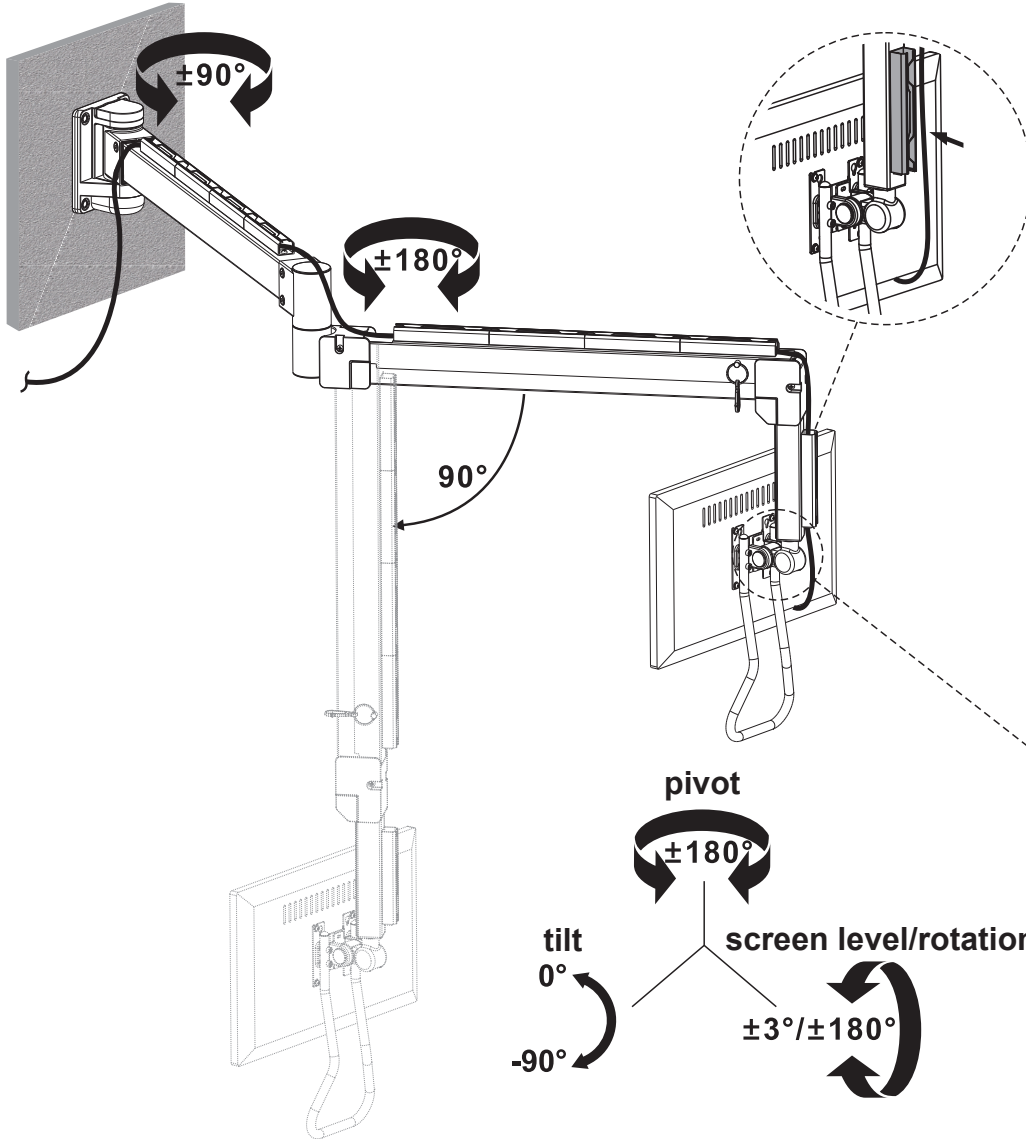
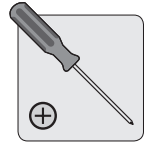
**TURN KNOB
TO ADJUST LOAD CAPACITY**

DECREASE INCREASE
- +

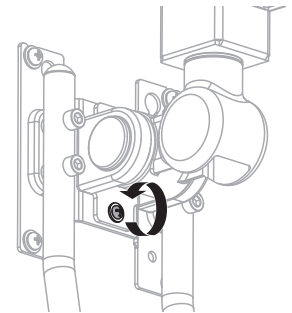
-  To adjust a heavier display, turn knob counter-clockwise.
-  To adjust a lighter display, turn knob clockwise.

Adjustment

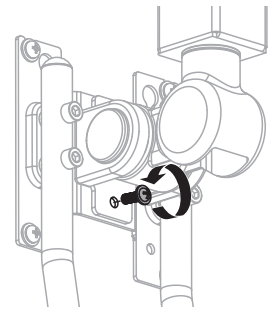
11



Loosen the screw for $\pm 3^\circ$ level adjustment.



Fully remove the screw for $\pm 180^\circ$ screen rotation.



Maintenance

- Check that the bracket is secure and safe to use at regular intervals (at least every three months).
- Please visit triplite.com/support if you have any questions.

