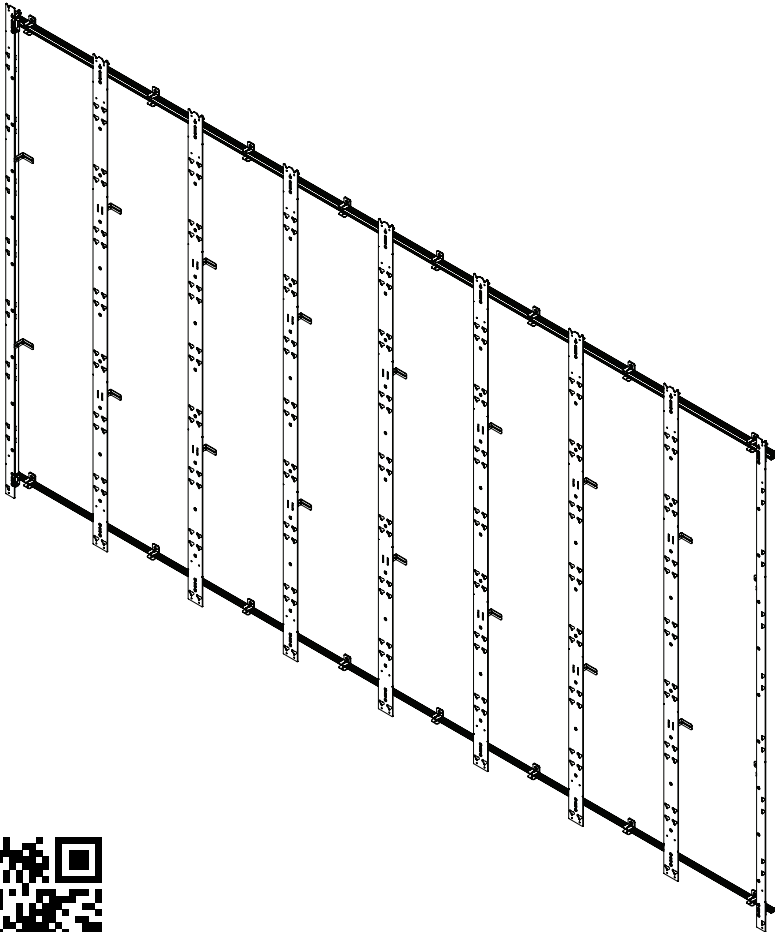




# DS-LEDIWP Series

For InfiLED WP

\*Actual configuration may vary



**ENG** Installation video for reference only.  
Read and follow instruction manual for full installation.



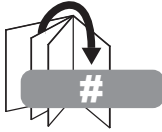
## ⚠ WARNING

ENG - This product is designed to be installed on plywood walls. Hardware is included for plywood installation. This product is designed to be installed on flat, unobstructed, vertical walls. Do not install on curved or angled walls. Before installing make sure the supporting surface will support the combined load of the equipment and hardware. Screws must be tightly secured. Do not overtighten screws or damage can occur and product may fail. Never exceed the Maximum Load Capacity. Always use an assistant or mechanical lifting equipment to safely lift and position equipment. This product is intended for indoor use only. Use of this product outdoors could lead to product failure or personal injury. Be careful not to pinch fingers when operating the mount. For support please call customer care at 1-800-865-2112.

ENG Symbols



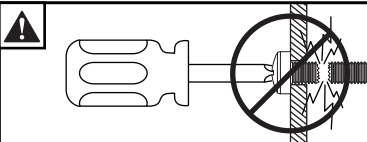
ENG WARNING



ENG Skip to step.



ENG Wear anti-static gloves.

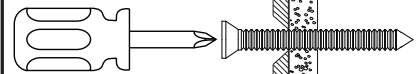


ENG Do not overtighten screws.

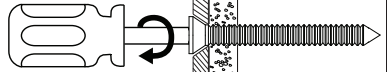


ENG To properly tighten screws: Tighten until screw head makes contact, then tighten another 1/2 turn. Do not overtighten screws.

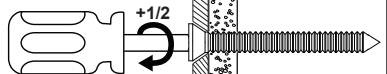
1



2



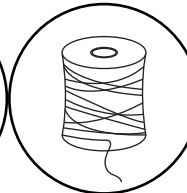
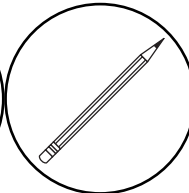
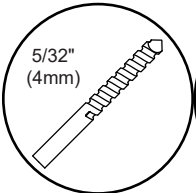
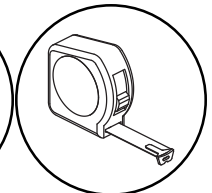
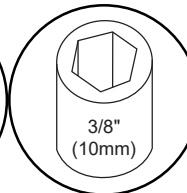
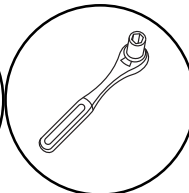
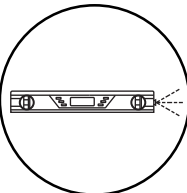
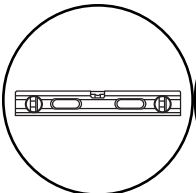
3



4

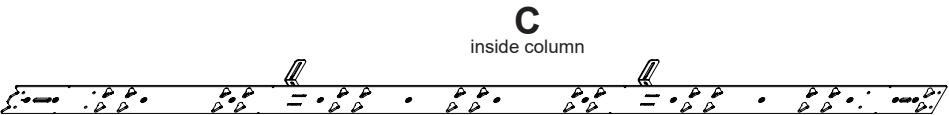
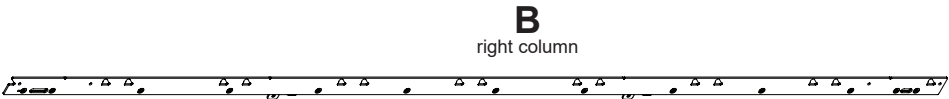


ENG Tools Needed for Assembly.

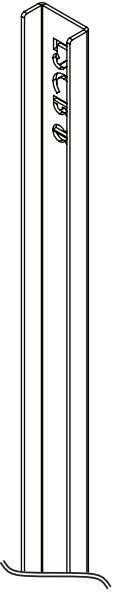


**ENG** Parts (Before beginning, make sure you have all parts shown below).  
Refer to parts list included with your model.

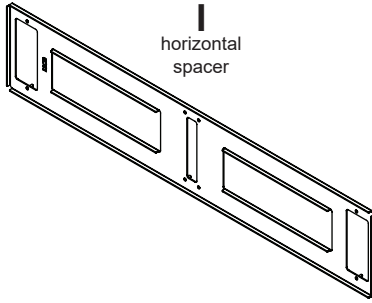
<b>Parts List</b>	
	<b>Description</b>
<b>A</b>	left column
<b>B</b>	right column
<b>C</b>	inside column
<b>D</b>	top left horizontal asy
<b>E</b>	top right horizontal asy
<b>F</b>	bottom left horizontal asy
<b>G</b>	bottom right horizontal asy
<b>H</b>	vertical spacer
<b>I</b>	horizontal spacer
<b>J</b>	M5 square nut (spare)
<b>K</b>	3mm allen wrench two-tip T-handle
<b>L</b>	wall plate shim
<b>M</b>	connector plate
<b>N</b>	M5 x 5mm set screw
<b>O</b>	M5 x 8mm socket screw
<b>P</b>	#14 x 1.75" wood screw
<b>Q</b>	2.5mm allen wrench



**H**  
vertical  
spacer



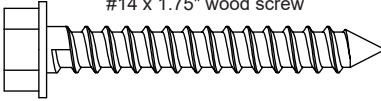
**I**  
horizontal  
spacer



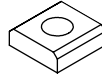
**O**  
M5 x 8mm



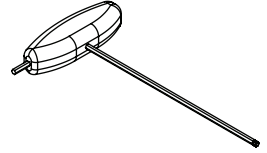
**P**  
#14 x 1.75" wood screw



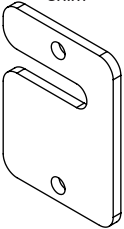
**J**  
M5 square nut



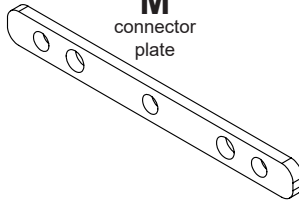
**K**  
3mm allen wrench  
two-tip T-handle



**L**  
wall plate  
shim



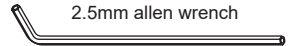
**M**  
connector  
plate



**N**  
M5 x 5mm  
set screw



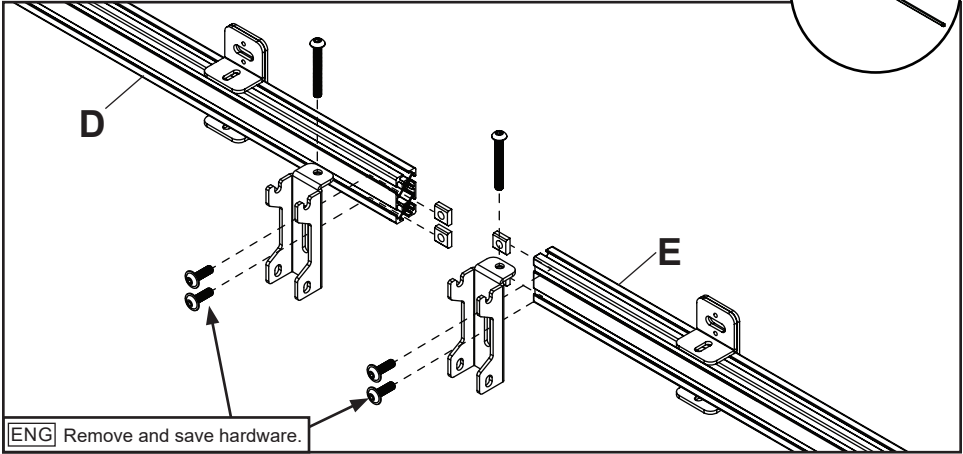
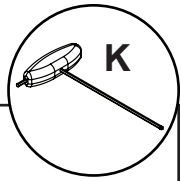
**Q**  
2.5mm allen wrench



**ENG** This page intentionally left blank.

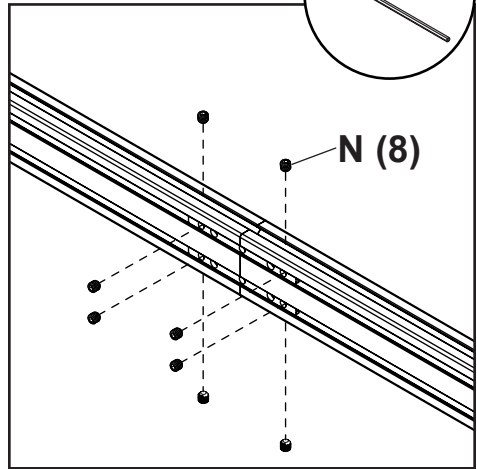
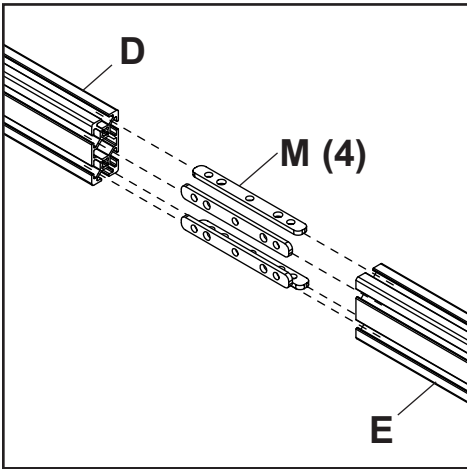
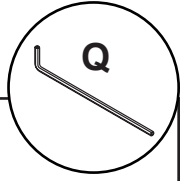
# 1-1

**ENG** Optional: If connecting two top horizontal extrusions, first remove inner hook-on brackets.



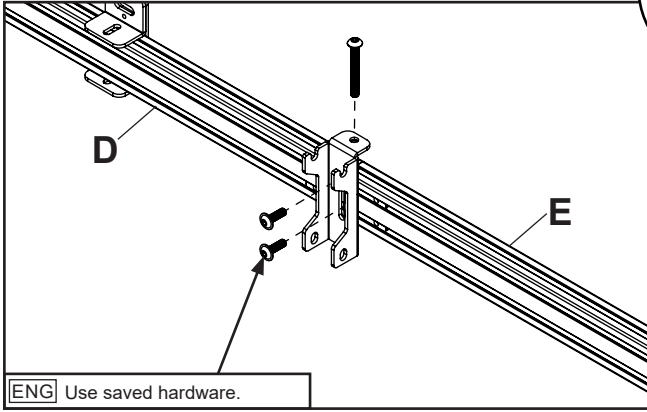
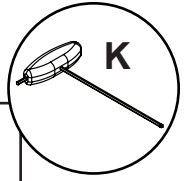
# 1-2

**ENG** Use extrusion connectors to connect top horizontal extrusions.

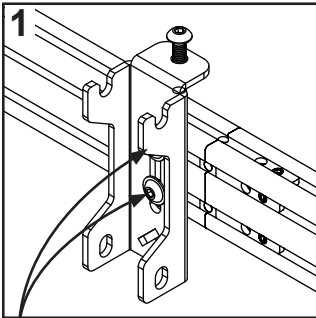
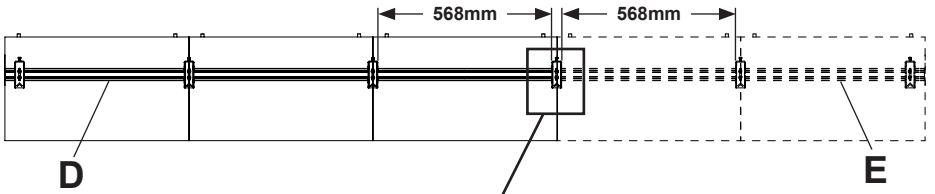


# 1-3

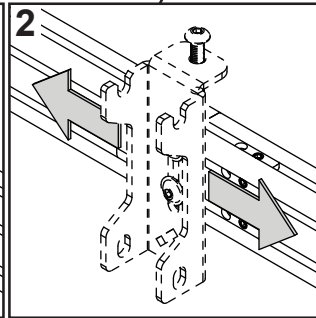
**ENG** Replace one hook-on bracket in between connected extrusions.



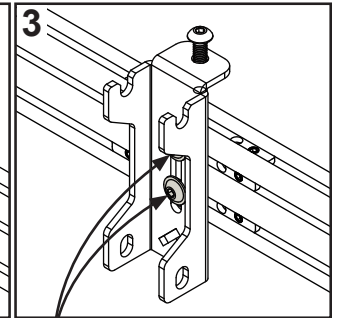
# 1-4



**ENG** Loosen.  
**ESP** Afloje.  
**FRN** Desserrez.  
**DEU** Lösen.



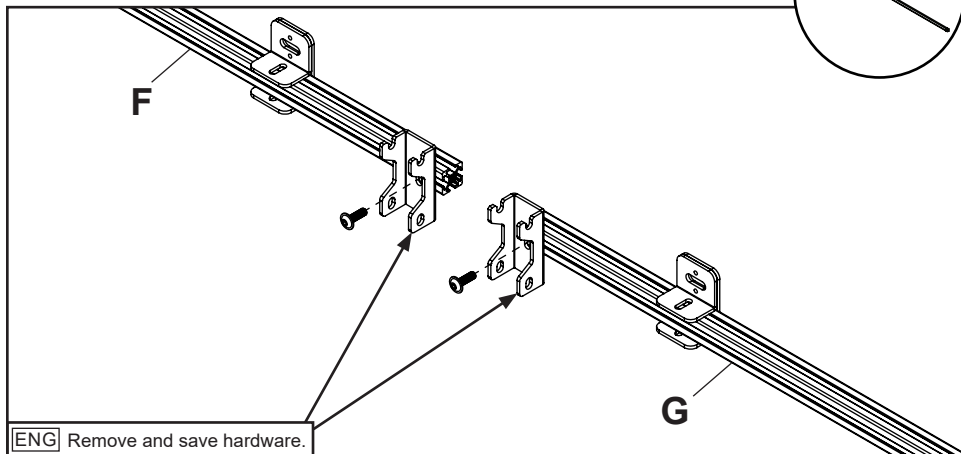
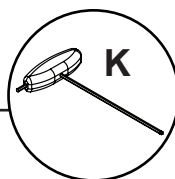
**ENG** Adjust.  
**ESP** Ajuste.  
**FRN** Réglez.  
**DEU** Einstellen.



**ENG** Tighten.  
**ESP** Apriete.  
**FRN** Puis serrez.  
**DEU** Anziehen.

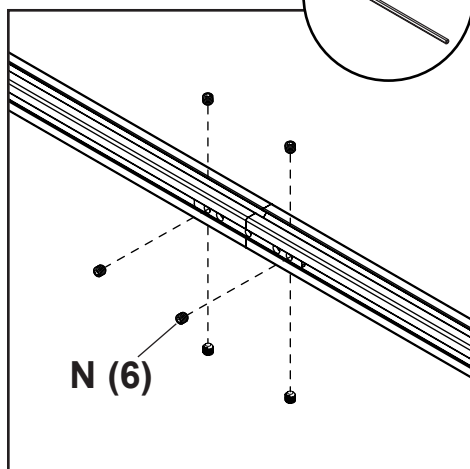
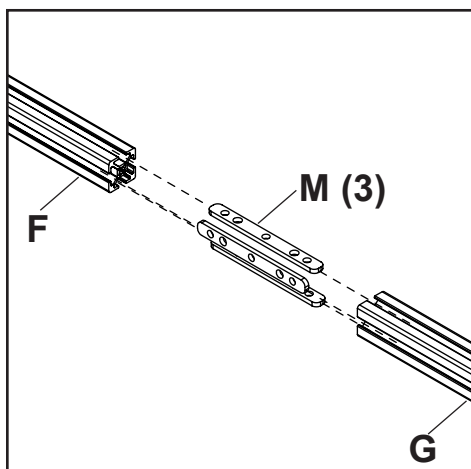
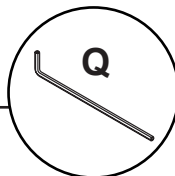
## 2-1

**ENG** Optional: If connecting two bottom horizontal extrusions, first remove inner hook-on brackets



## 2-2

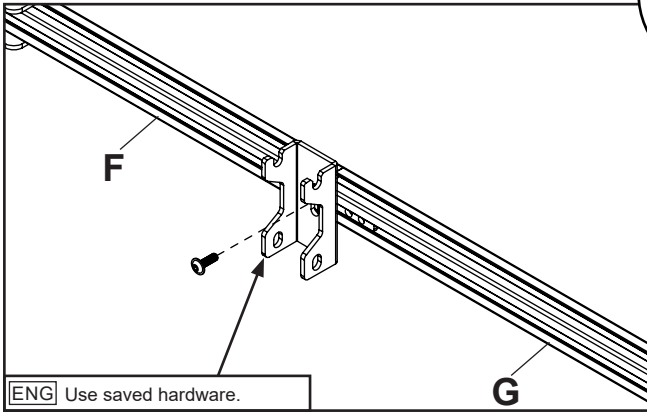
**ENG** Use extrusion connectors to connect bottom horizontal extrusions.



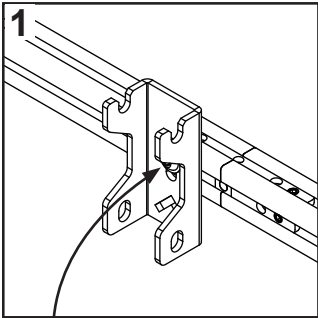
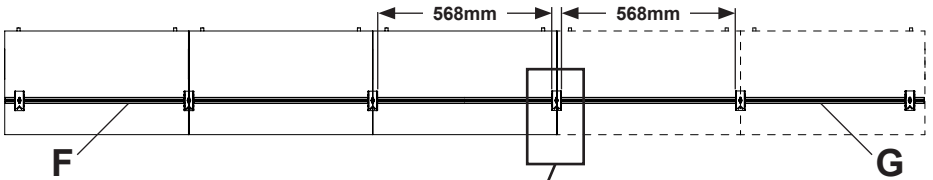


## 2-3

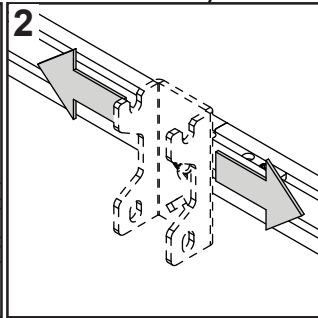
**ENG** Replace one hook-on bracket in between connected extrusions.



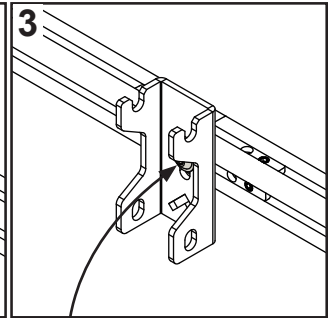
## 2-4



**ENG** Loosen.  
**ESP** Afloje.  
**FRN** Desserrez.  
**DEU** Lösen.



**ENG** Adjust.  
**ESP** Ajuste.  
**FRN** Réglez.  
**DEU** Einstellen.



**ENG** Tighten.  
**ESP** Apriete.  
**FRN** Puis serrez.  
**DEU** Anziehen.

### 3

#### **▲ WARNING**

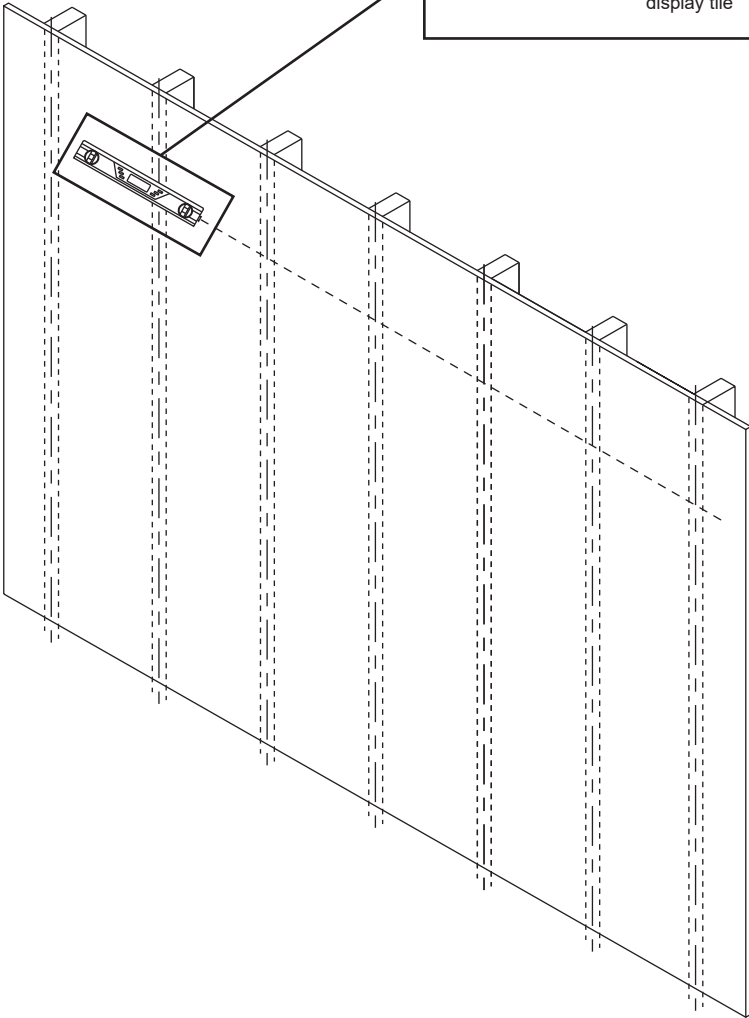
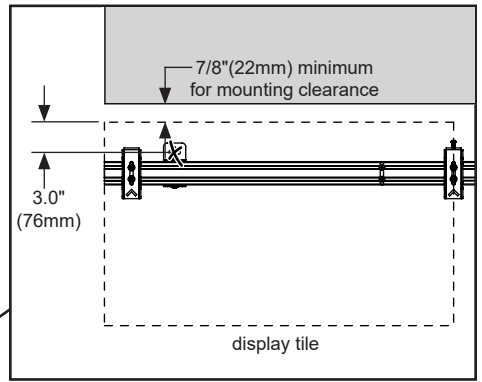
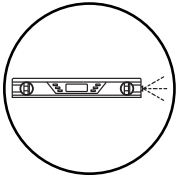
ENG - When installing Peerless wall mounts on a wood stud wall covered with plywood, verify that the wood studs are a minimum of 2" x 4" nominal size and plywood is a minimum Grade BC, 1/2" (13 mm) thick. Plywood may be covered by gypsum board (drywall) up to 5/8" thick.

### 3-1

**ENG** When installing more than one display to a wood stud wall reinforced with plywood (minimum Grade BC, 1/2" thick) that may be covered in gypsum board (drywall) up to 5/8" thick, the mounting surface must be plumb (+/- .25") across the height of the video wall and straight (+/- .25") across the width of the video wall.

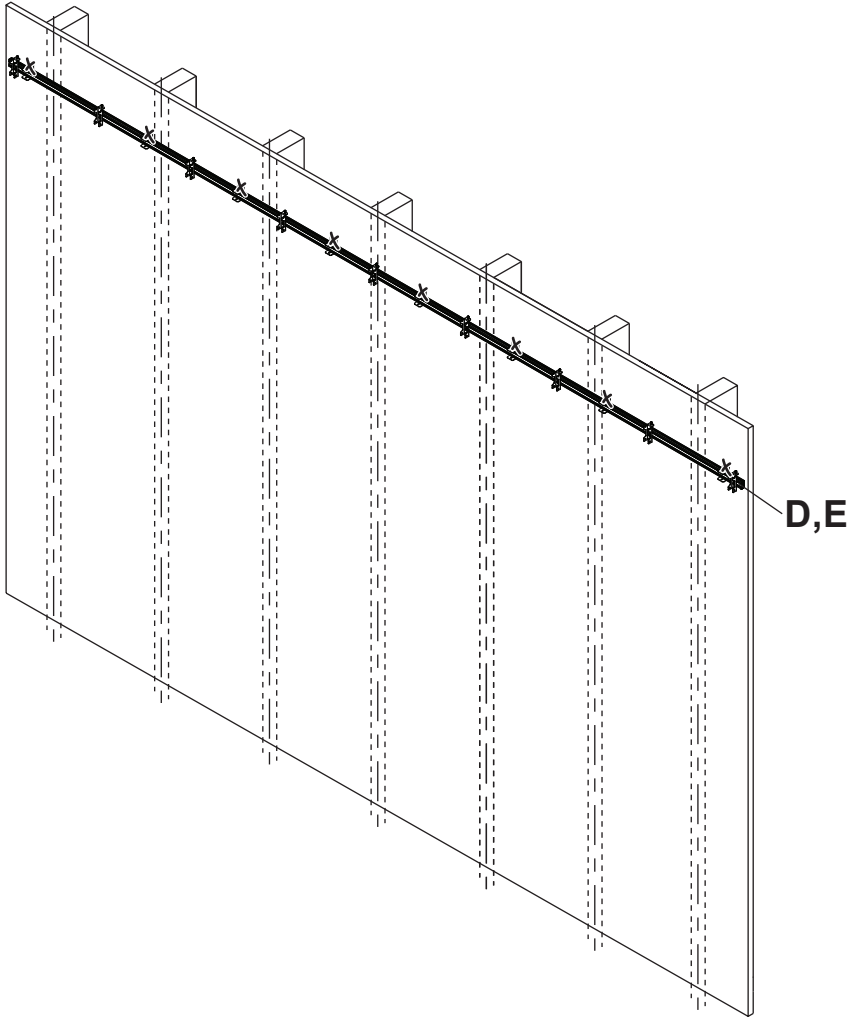
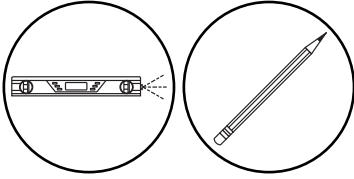
### 3-2

**ENG** Use a laser level to keep mounting holes level.

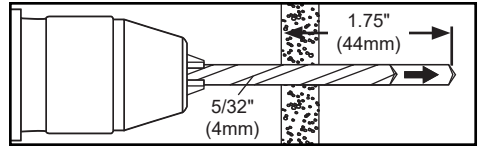
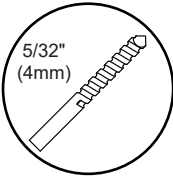


### 3-3

**ENG** Level top horizontal extrusion and mark mounting holes on plywood (must be minimum Grade BC, 1/2" (13mm) thick.)



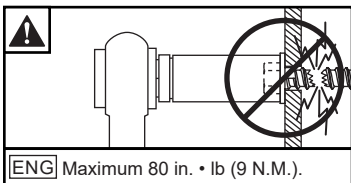
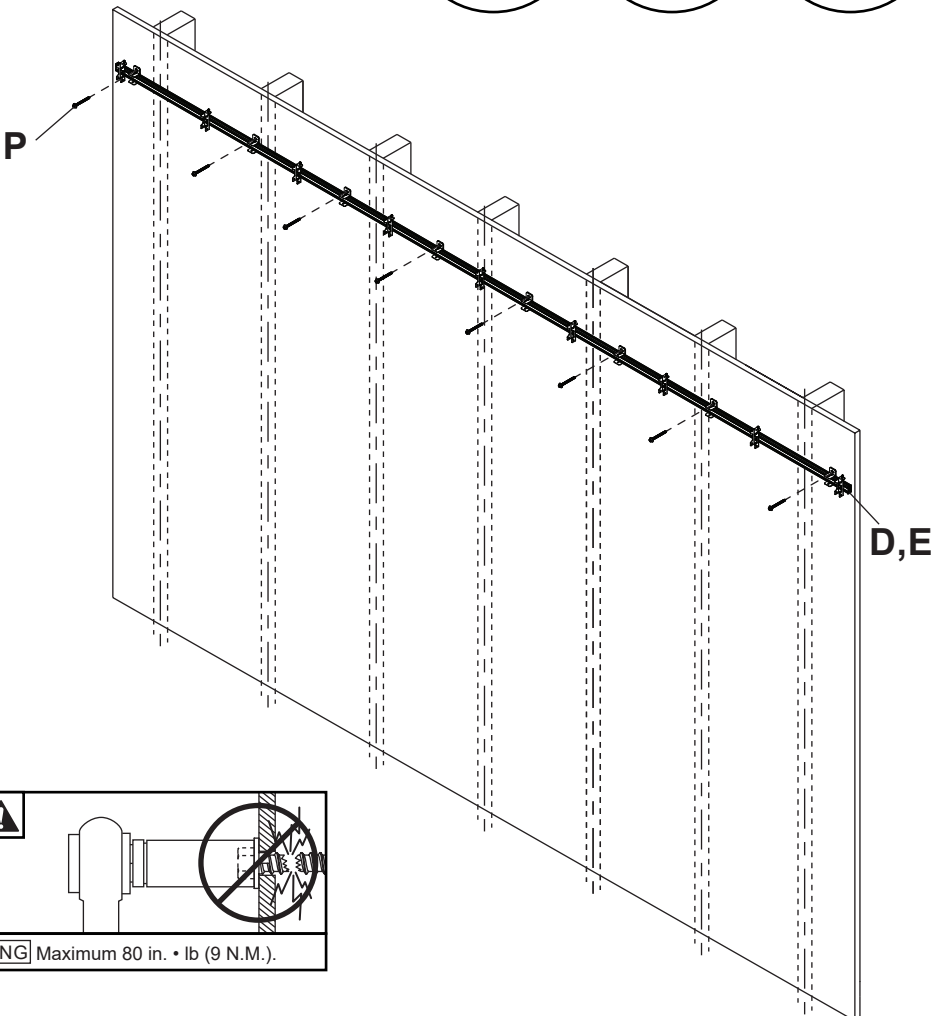
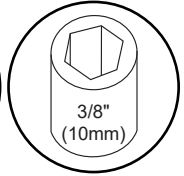
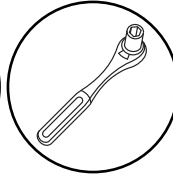
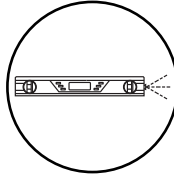
### 3-4



**ENG** Drill mounting holes into supporting surface (1.75" (44mm) minimum depth required).

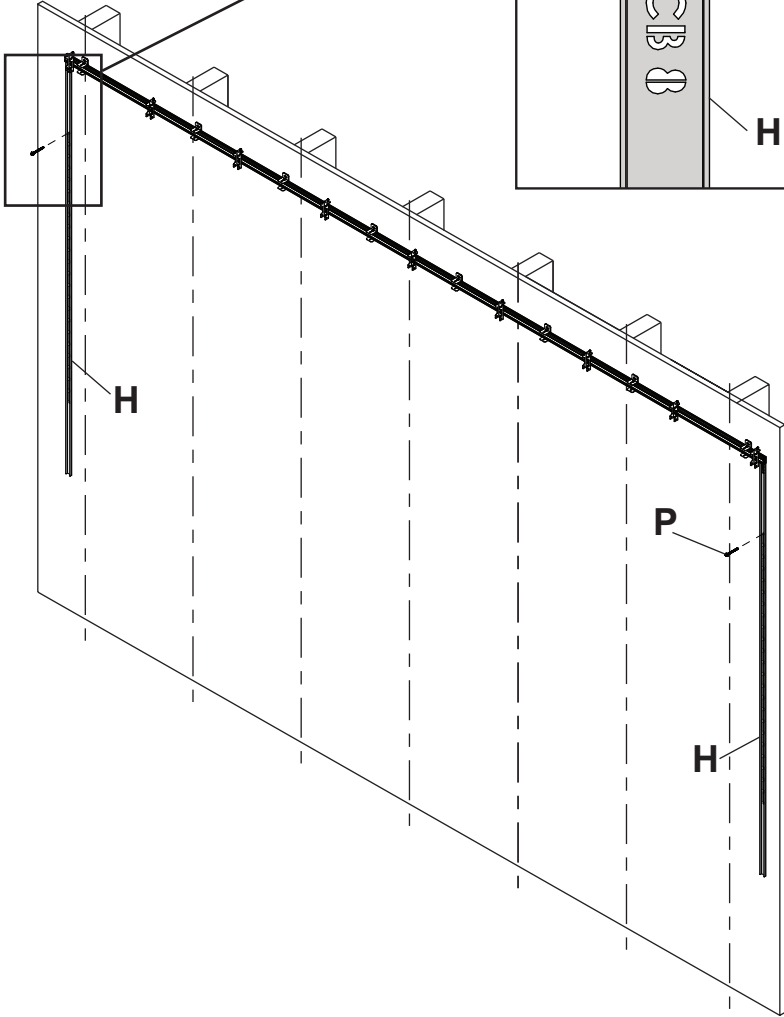
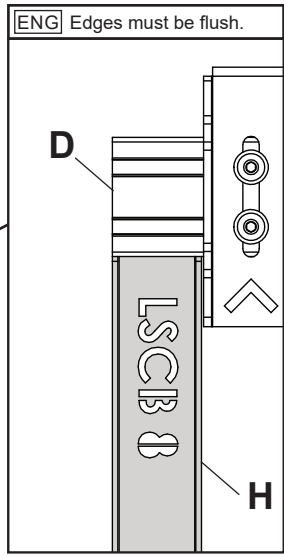
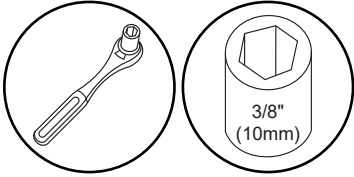
### 3-5

**ENG** Level extrusion. Install using wood screws provided.



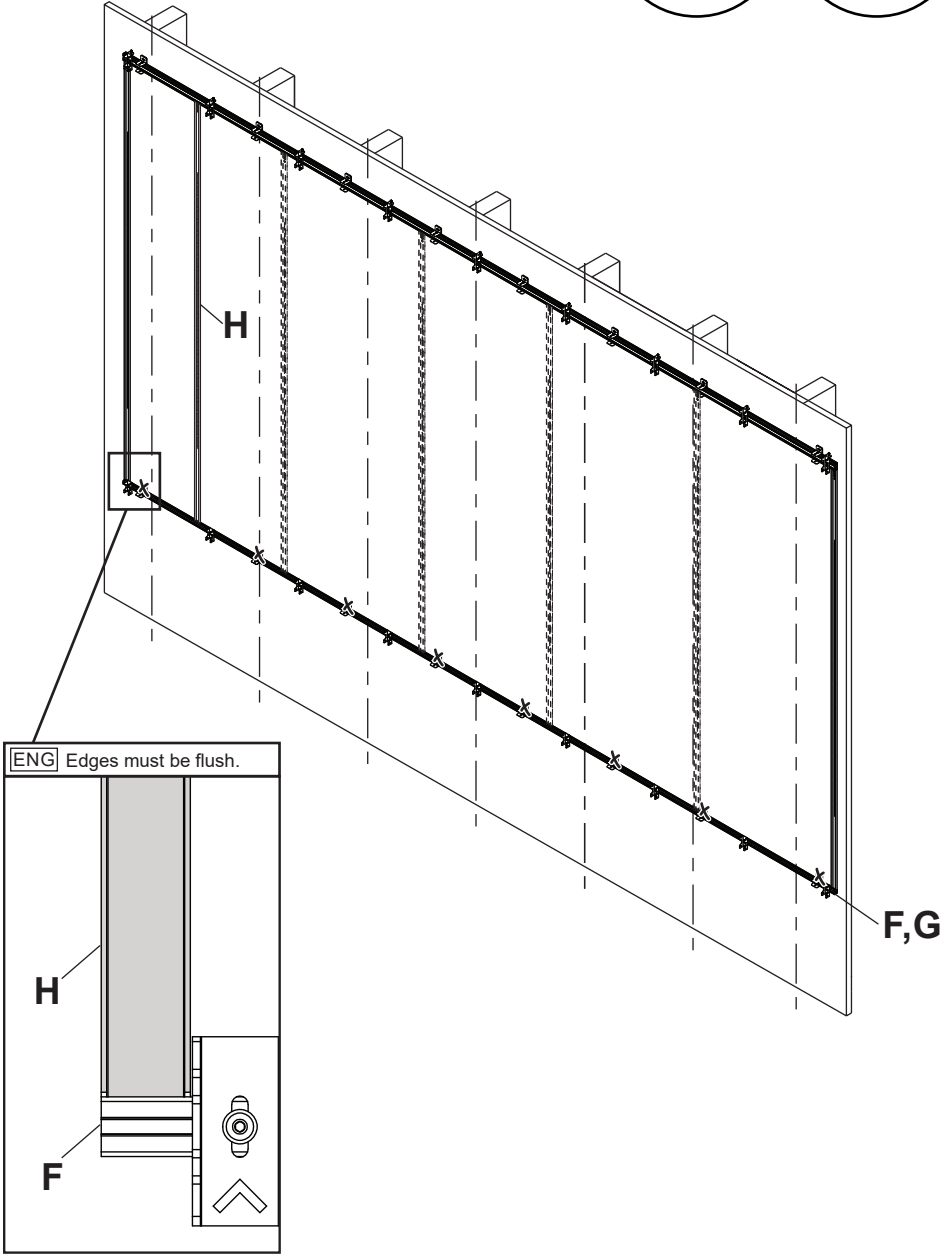
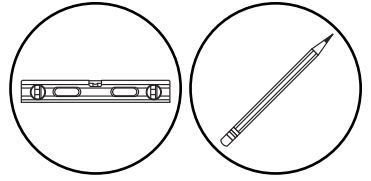
# 3-6

**ENG** Secure vertical spacers to the wall flush with the horizontal extrusion.

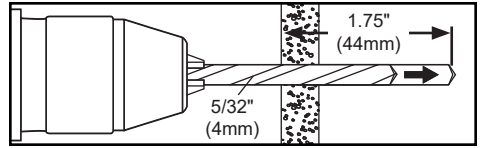
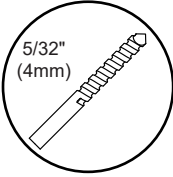


### 3-7

**ENG** Use third vertical spacer to align bottom horizontal extrusion flush with vertical spacer, then mark mounting holes on plywood (must be minimum Grade BC, 1/2" (13mm) thick.)



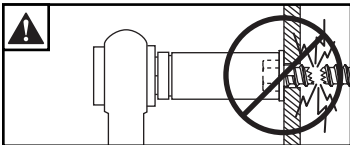
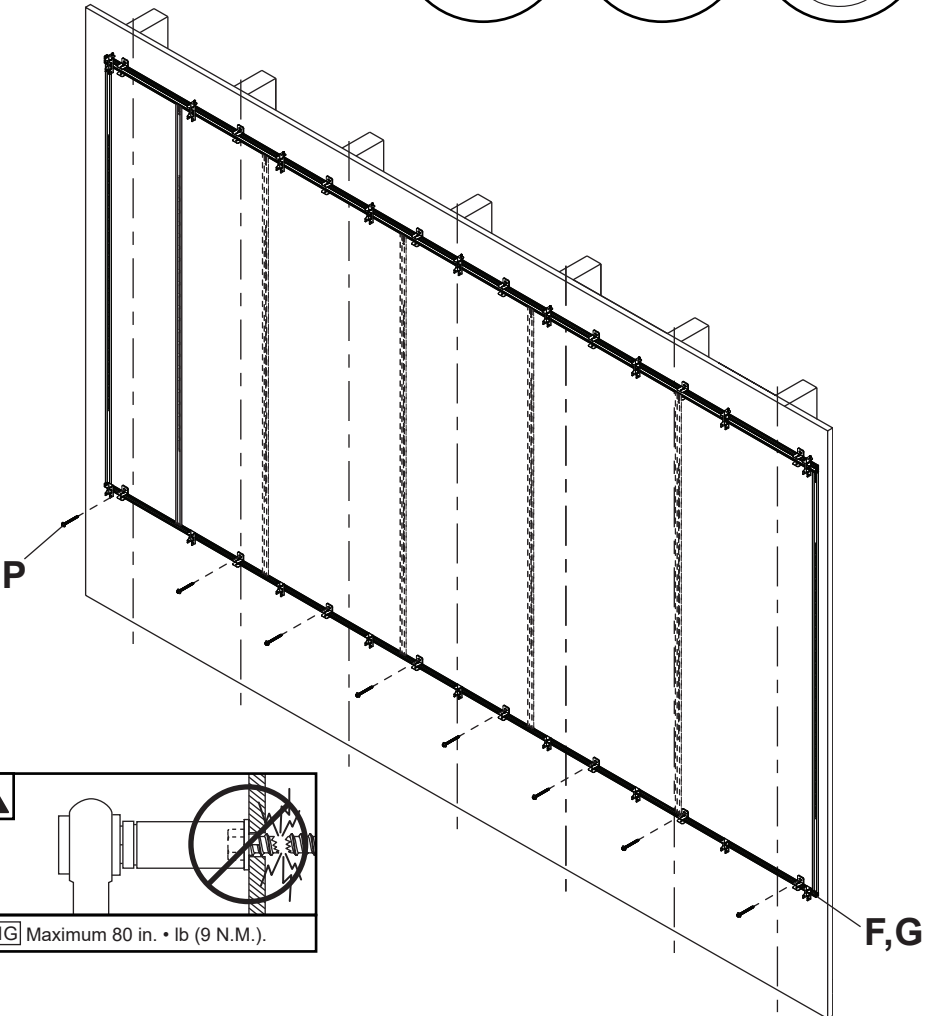
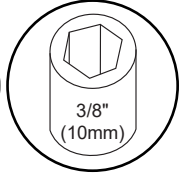
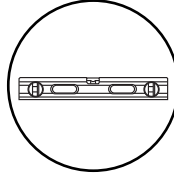
### 3-8



**ENG** Drill mounting holes into supporting surface (1.75" (44mm) minimum depth required).

### 3-9

**ENG** Use third vertical spacer to align bottom horizontal extrusion flush with vertical spacer, then install using wood screws provided.



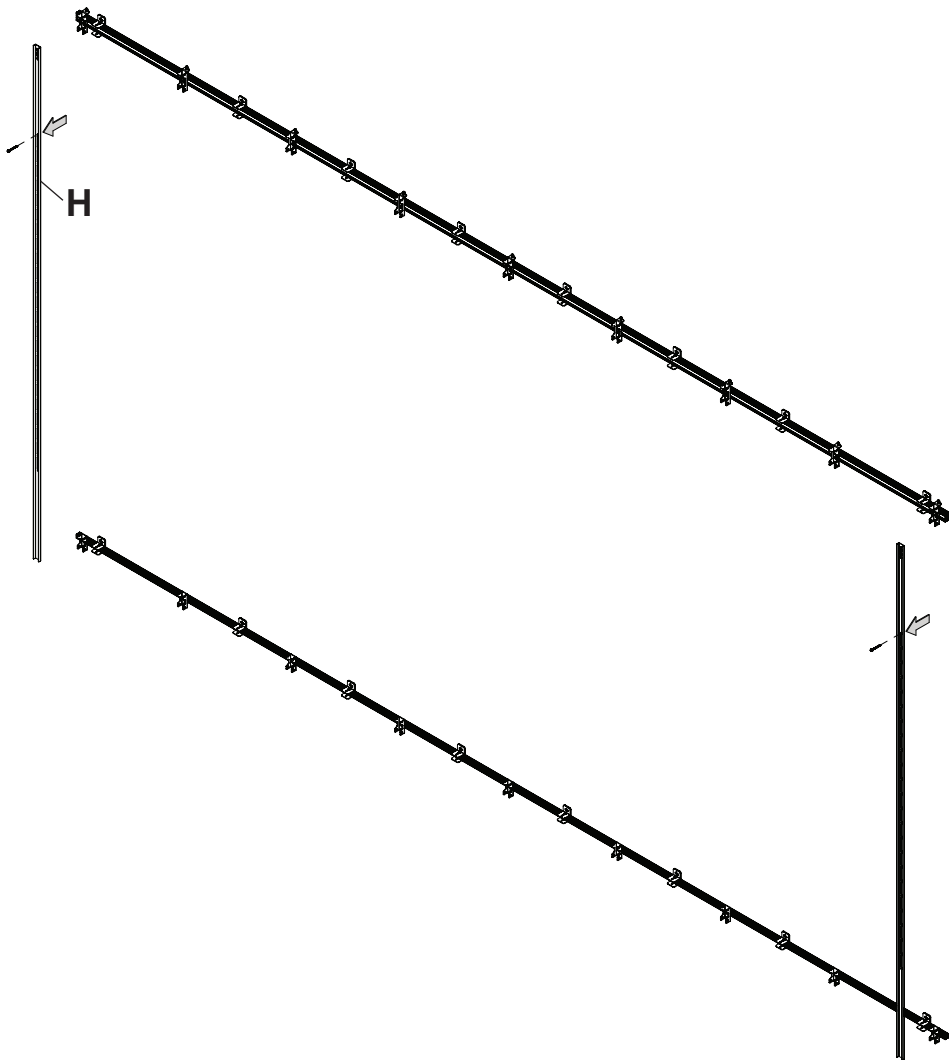
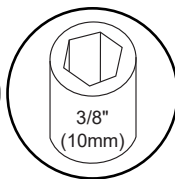
**ENG** Maximum 80 in. • lb (9 N.M.).

**F,G**



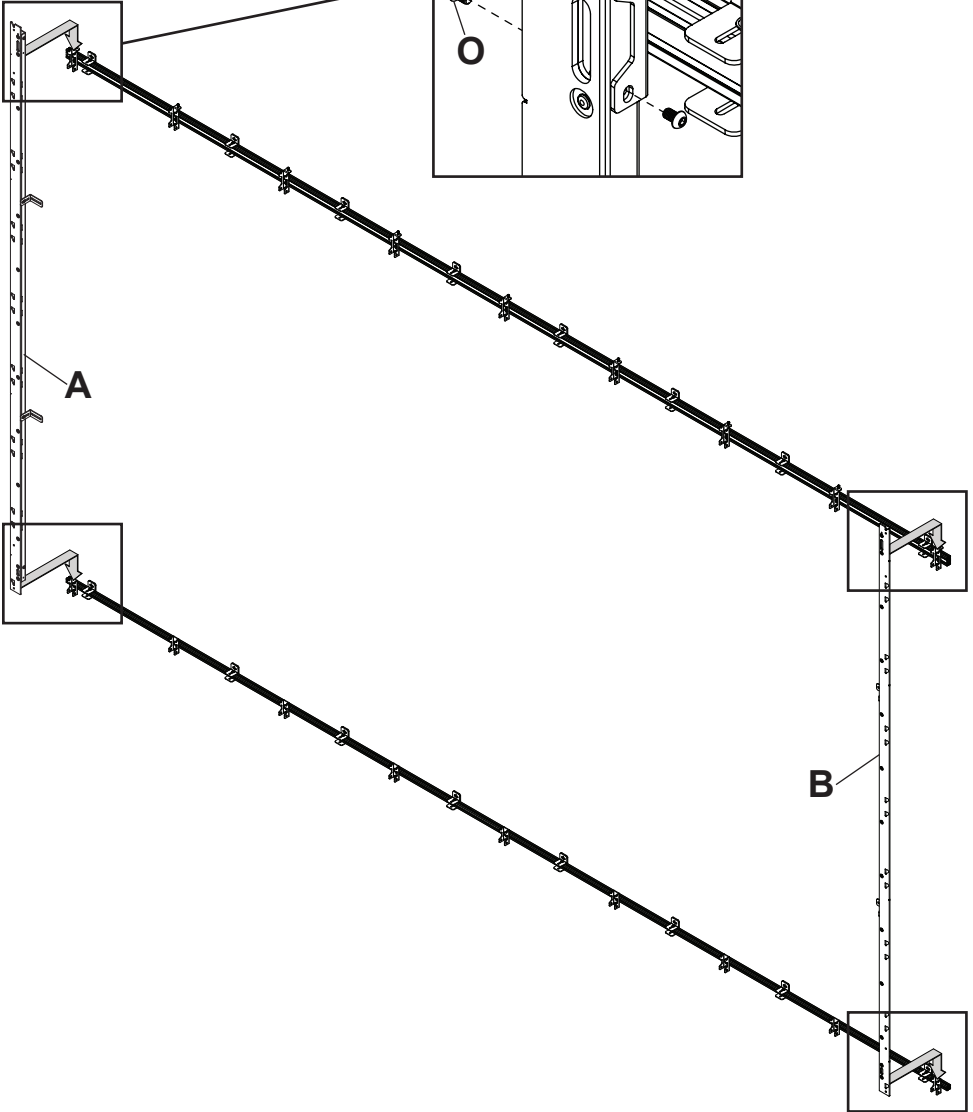
# 4

ENG Remove vertical spacers.



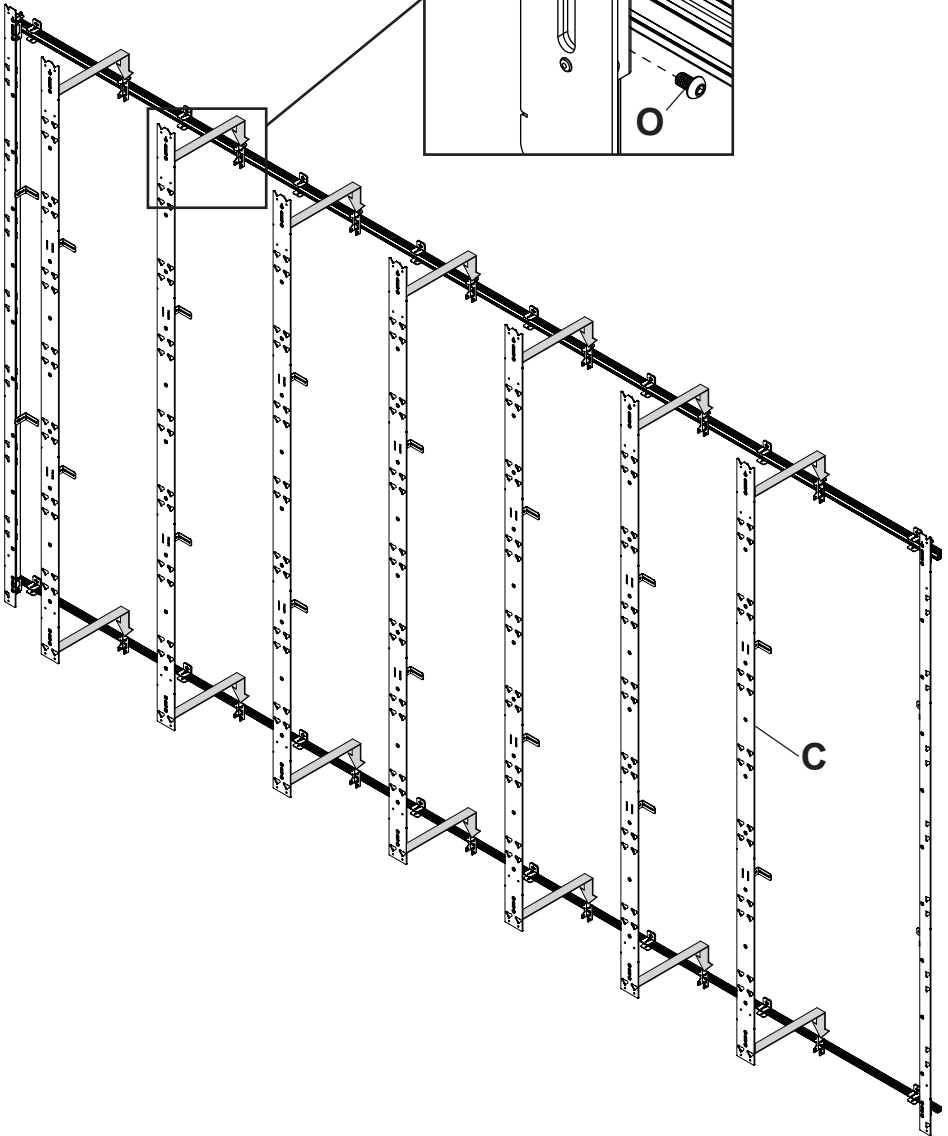
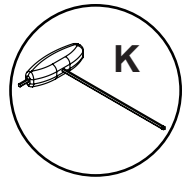
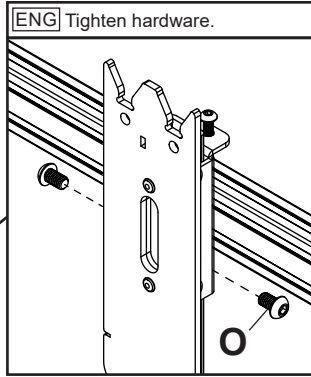
# 5-1

ENG Hook on and secure outer columns.



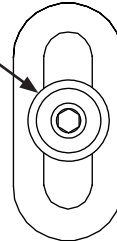
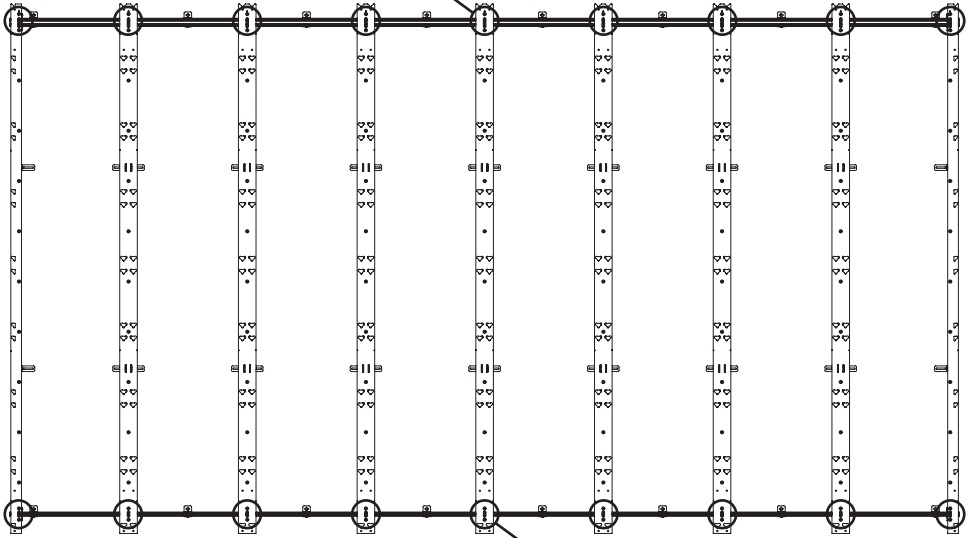
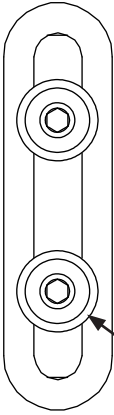
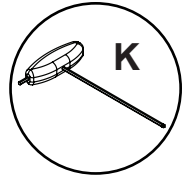
# 5-2

ENG Hook on and secure all inside columns.



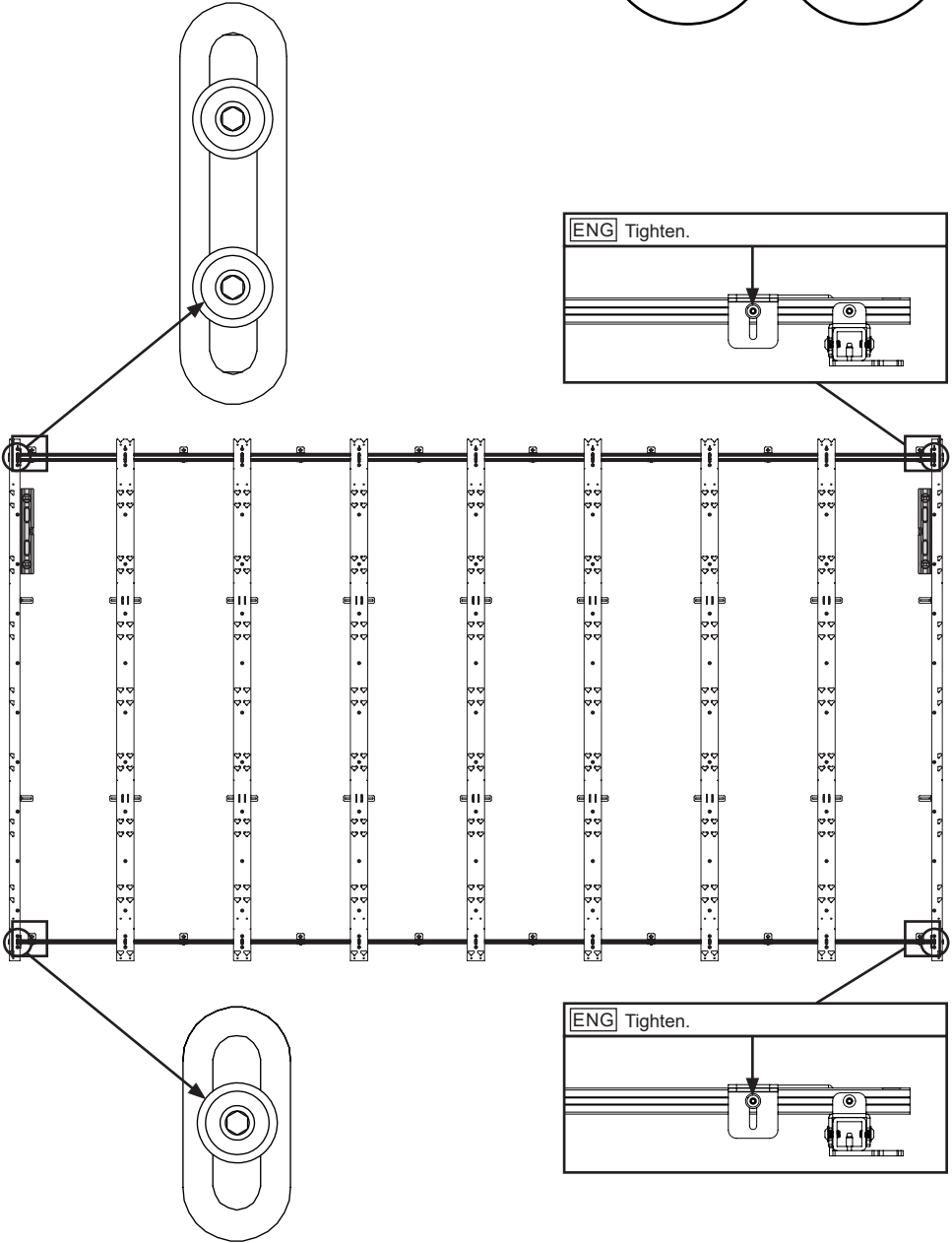
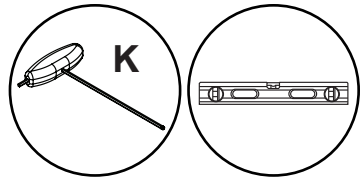
# 6-1

ENG Loosen hardware on columns.



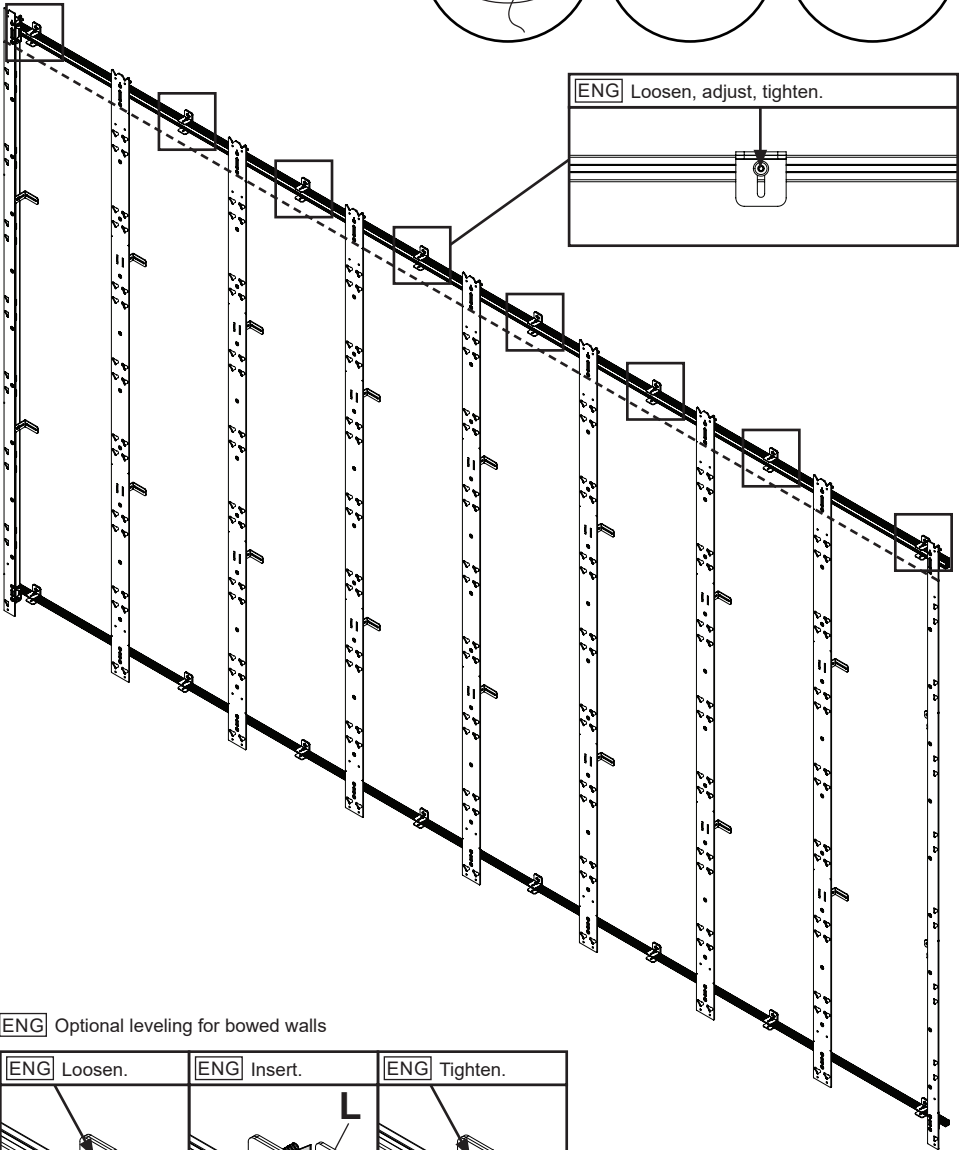
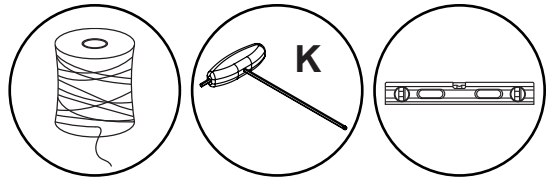
# 6-2

**ENG** Plumb and level outer columns, then tighten hardware. Tighten hardware on four corner wall plates.

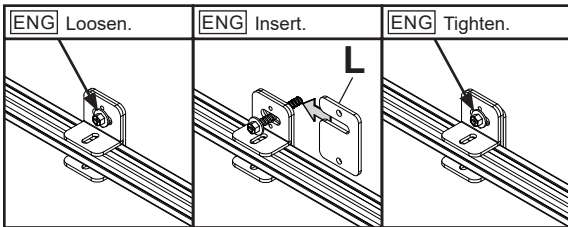


# 6-3

**ENG** Tie a string between top slots on outer columns in order to level the depth of each.

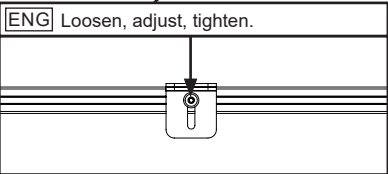
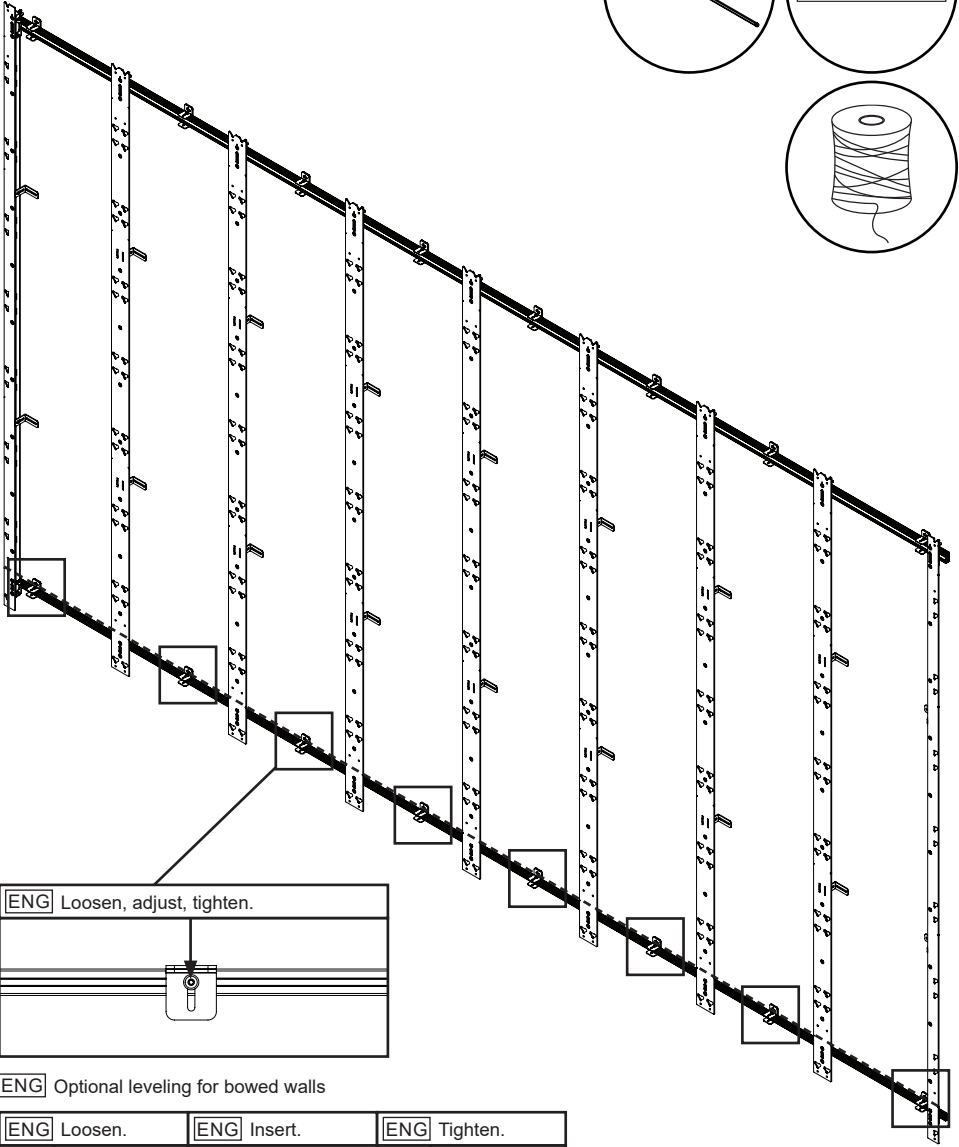
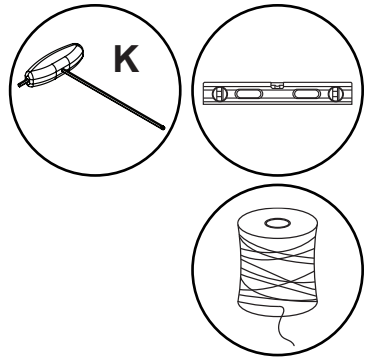


**ENG** Optional leveling for bowed walls

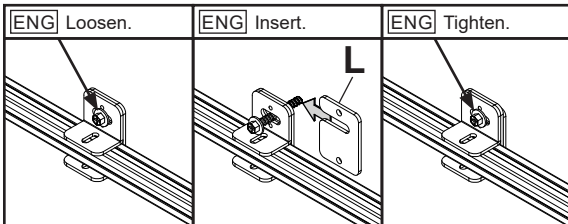


# 6-4

**ENG** Tie a string between bottom slots on outer columns in order to level the depth of each.

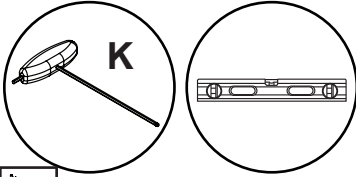


**ENG** Optional leveling for bowed walls

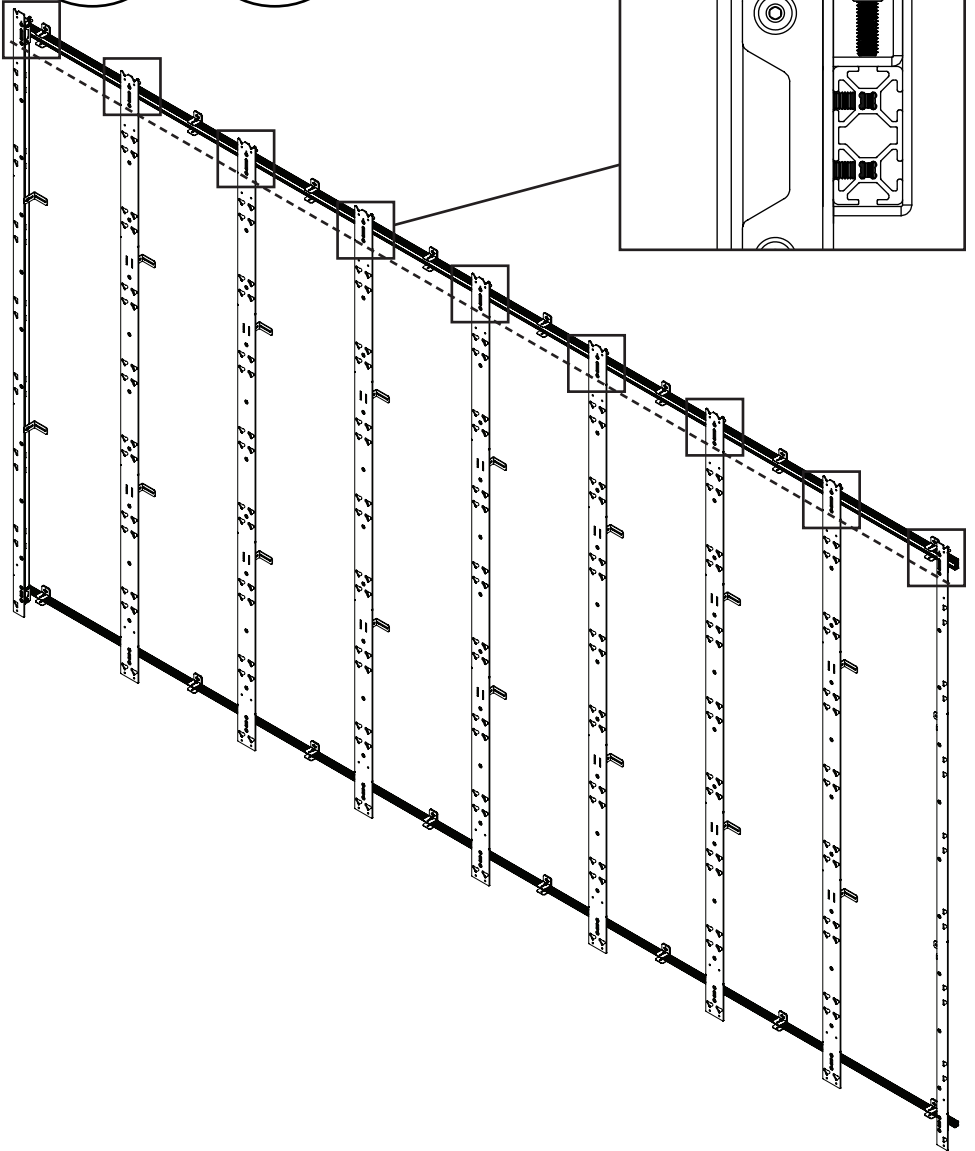
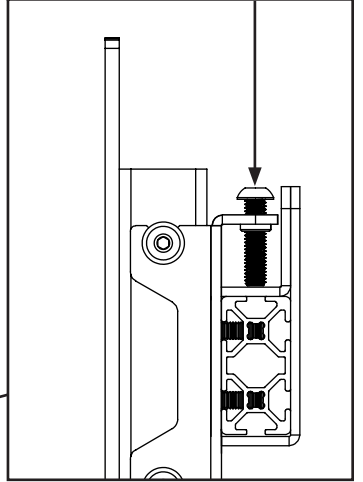


# 6-5

ENG With the string still attached, level the height of each column.



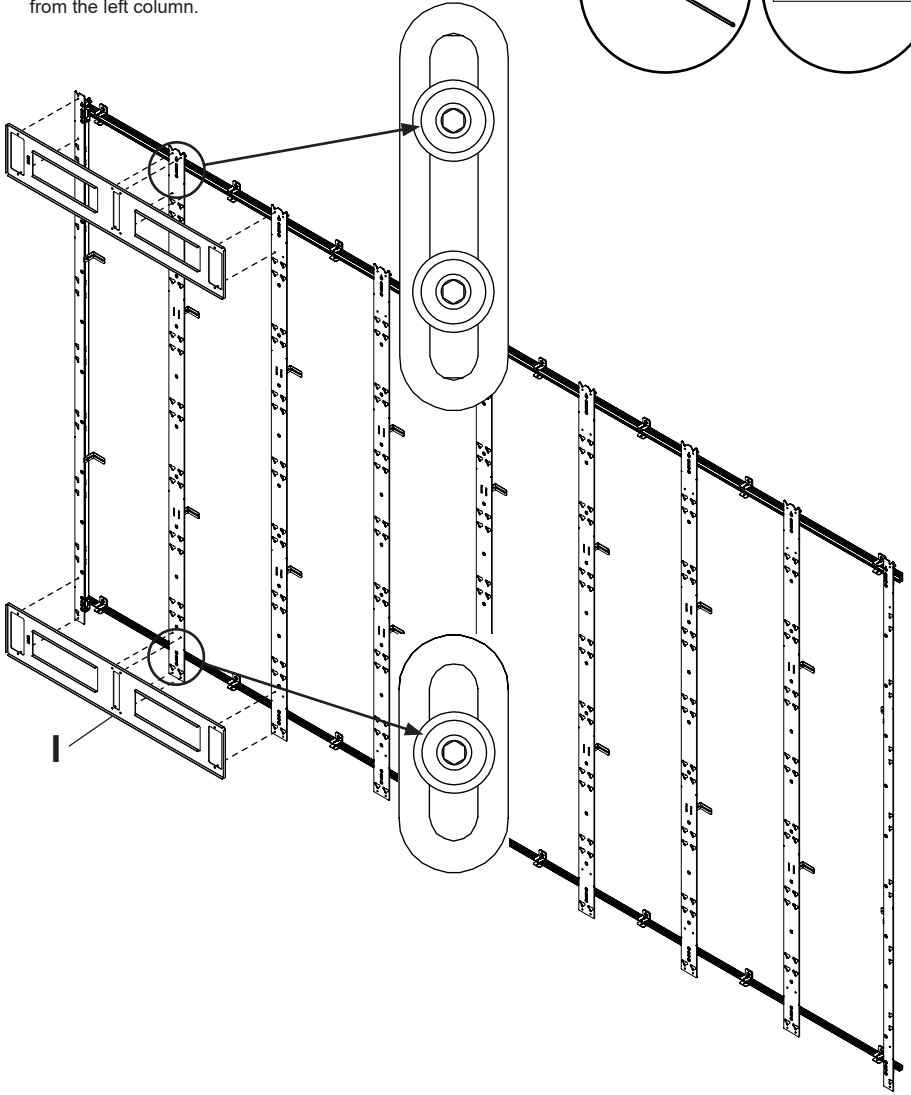
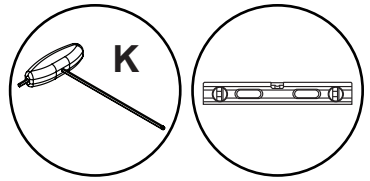
ENG Tighten or loosen to adjust height.





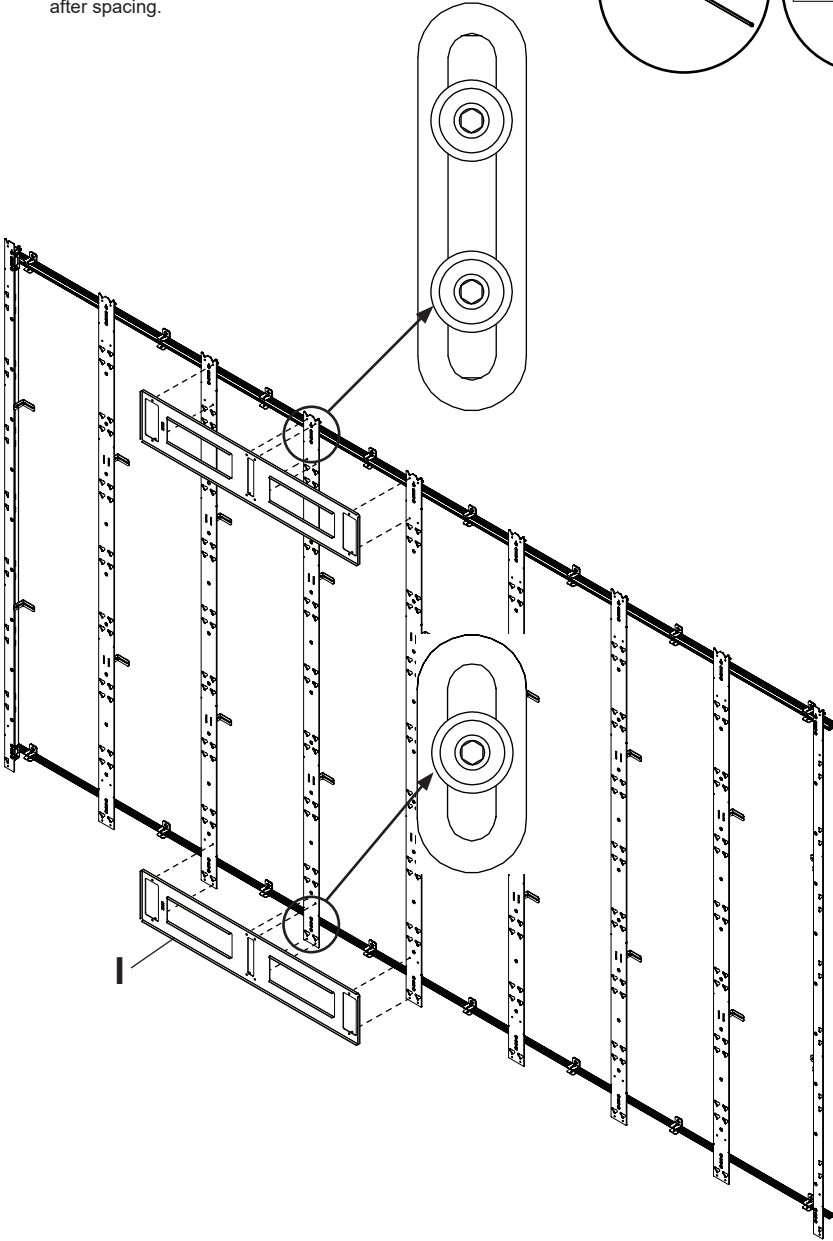
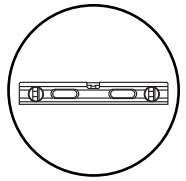
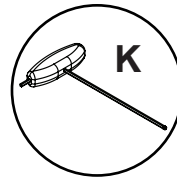
## 6-6

**ENG** Adjust inner columns to fit horizontal spacers.  
Tighten column hardware after spacing. Start  
from the left column.



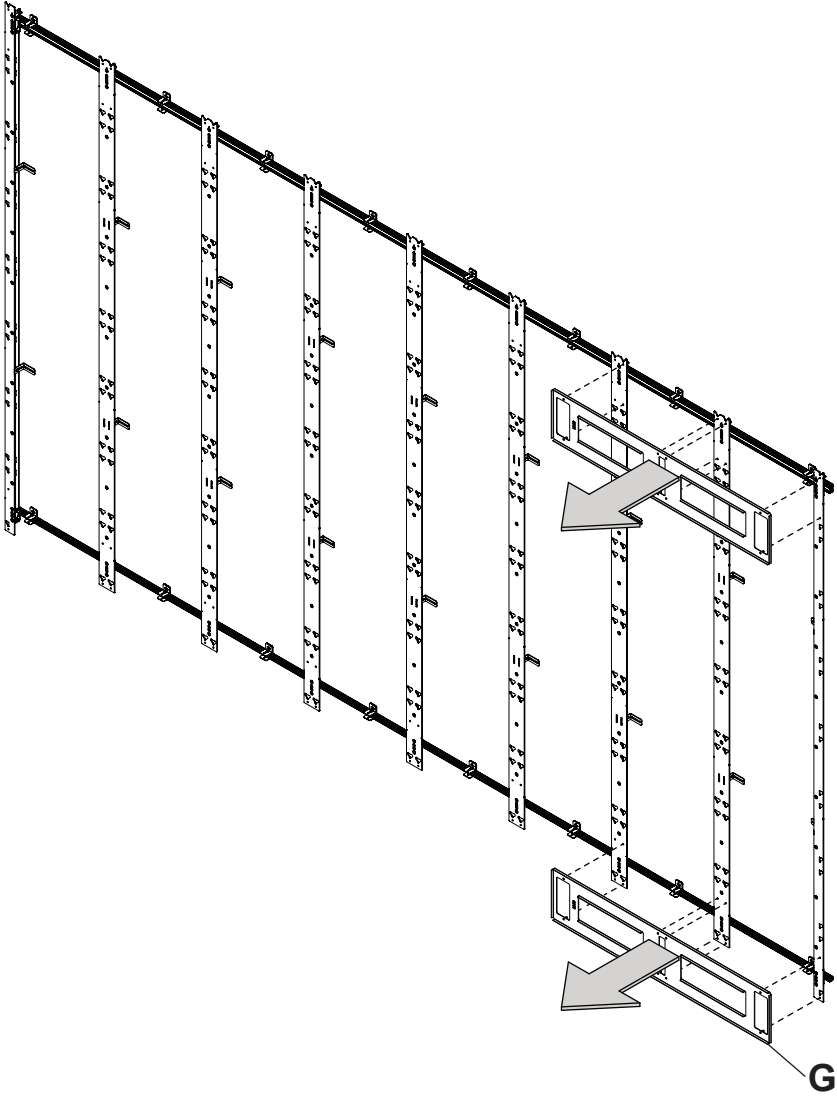
# 6-7

**ENG** Continue adjusting inner columns to fit horizontal spacers until all are level. Tighten column hardware after spacing.



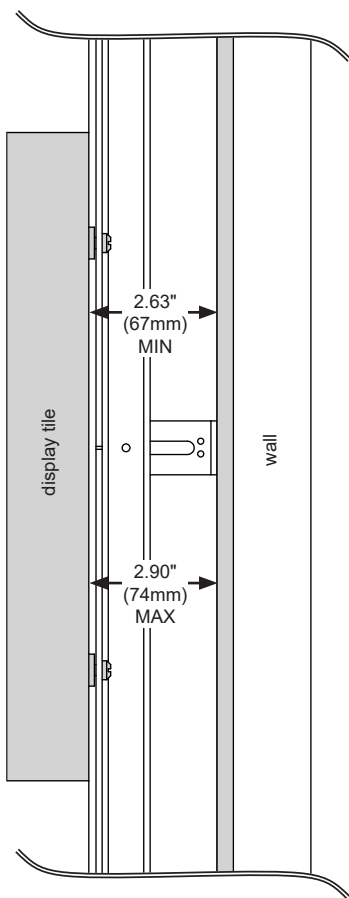
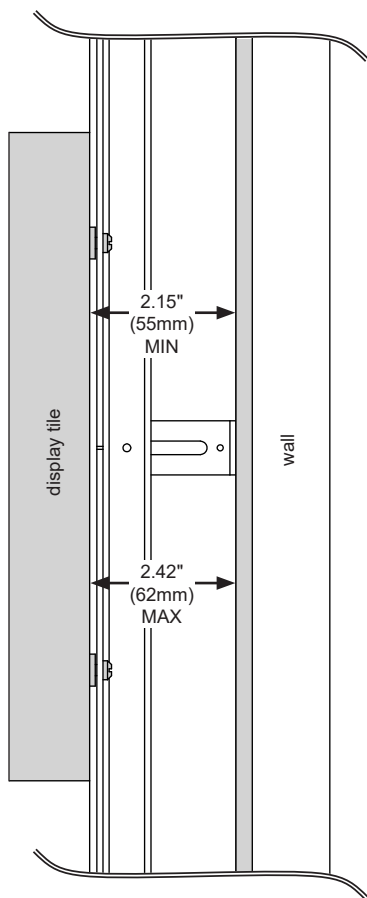
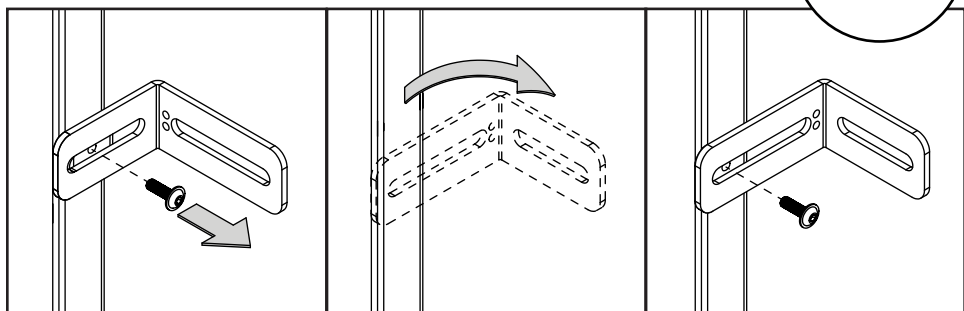
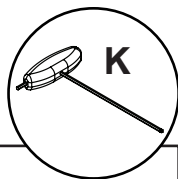
# 6-8

ENG Remove all spacers.



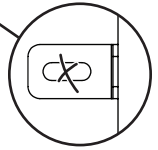
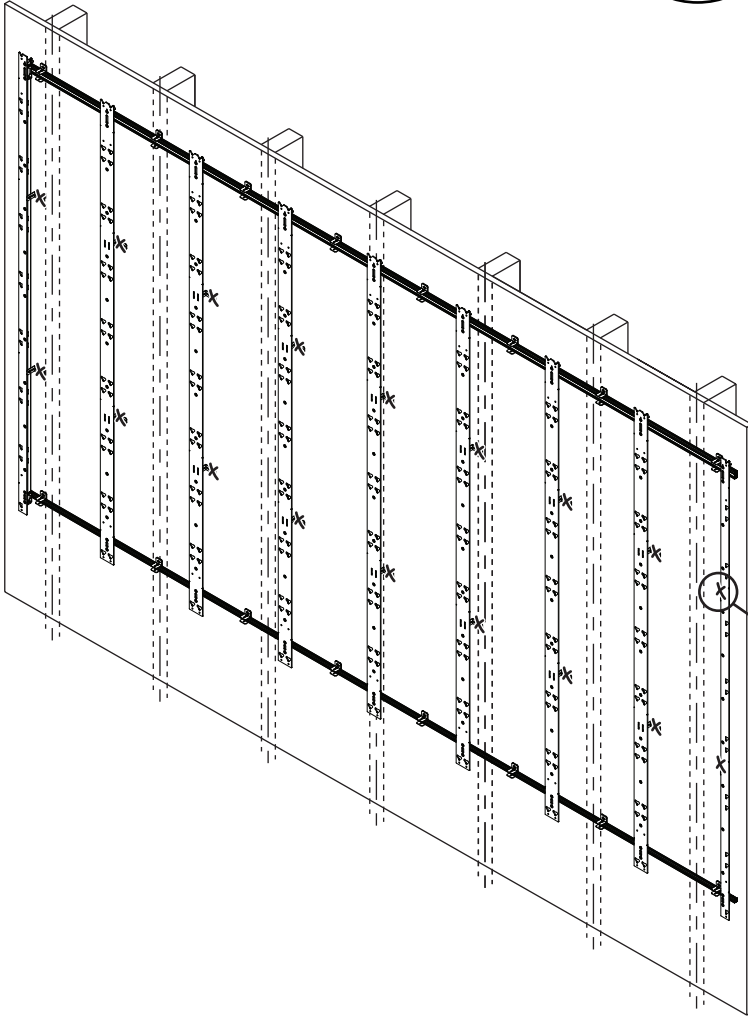
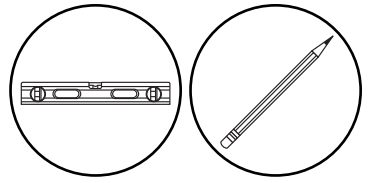
# 7

**ENG** Optional: Flip wall bracket for additional depth as shown.

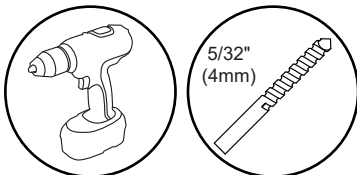


## 8-1

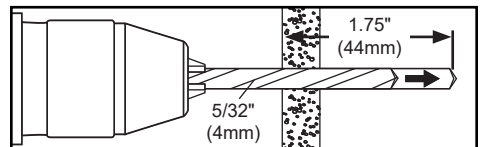
**ENG** Level L brackets and mark mounting holes on plywood (must be minimum Grade BC, 1/2" (13mm) thick.)



## 8-2

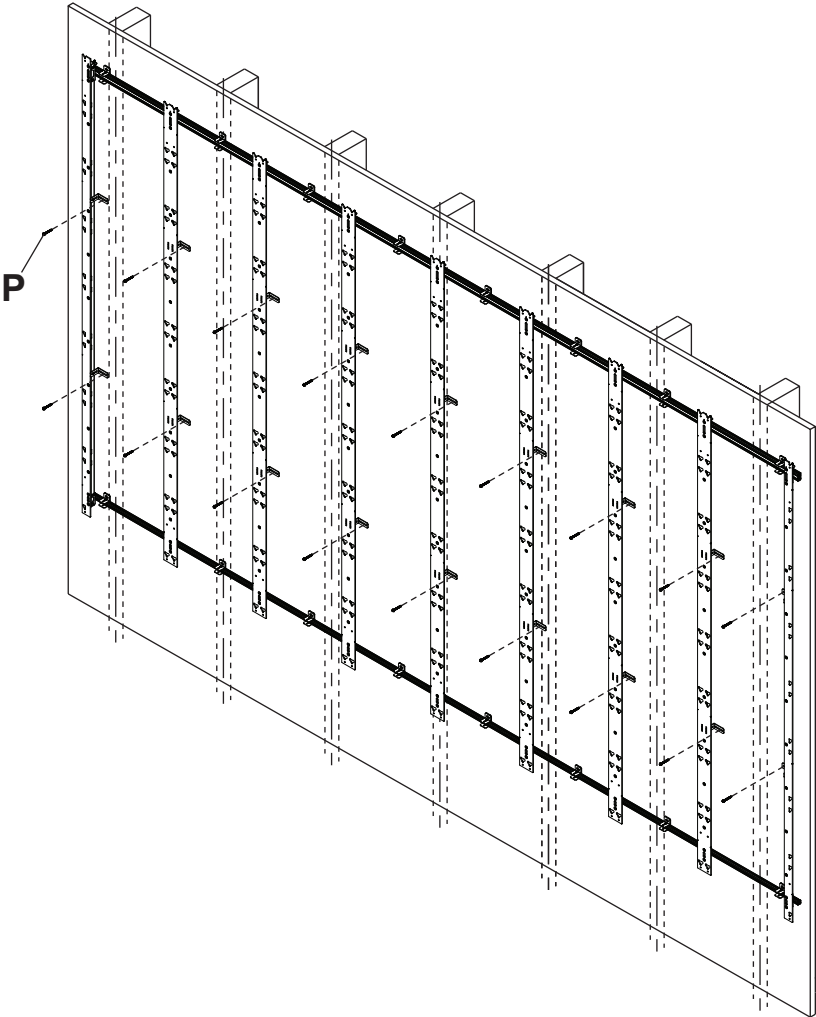
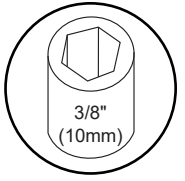
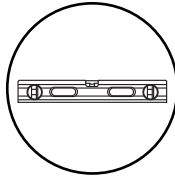
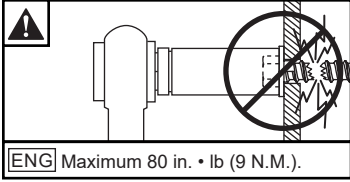


**ENG** Drill mounting holes into supporting surface (1.75" (44mm) minimum depth required).



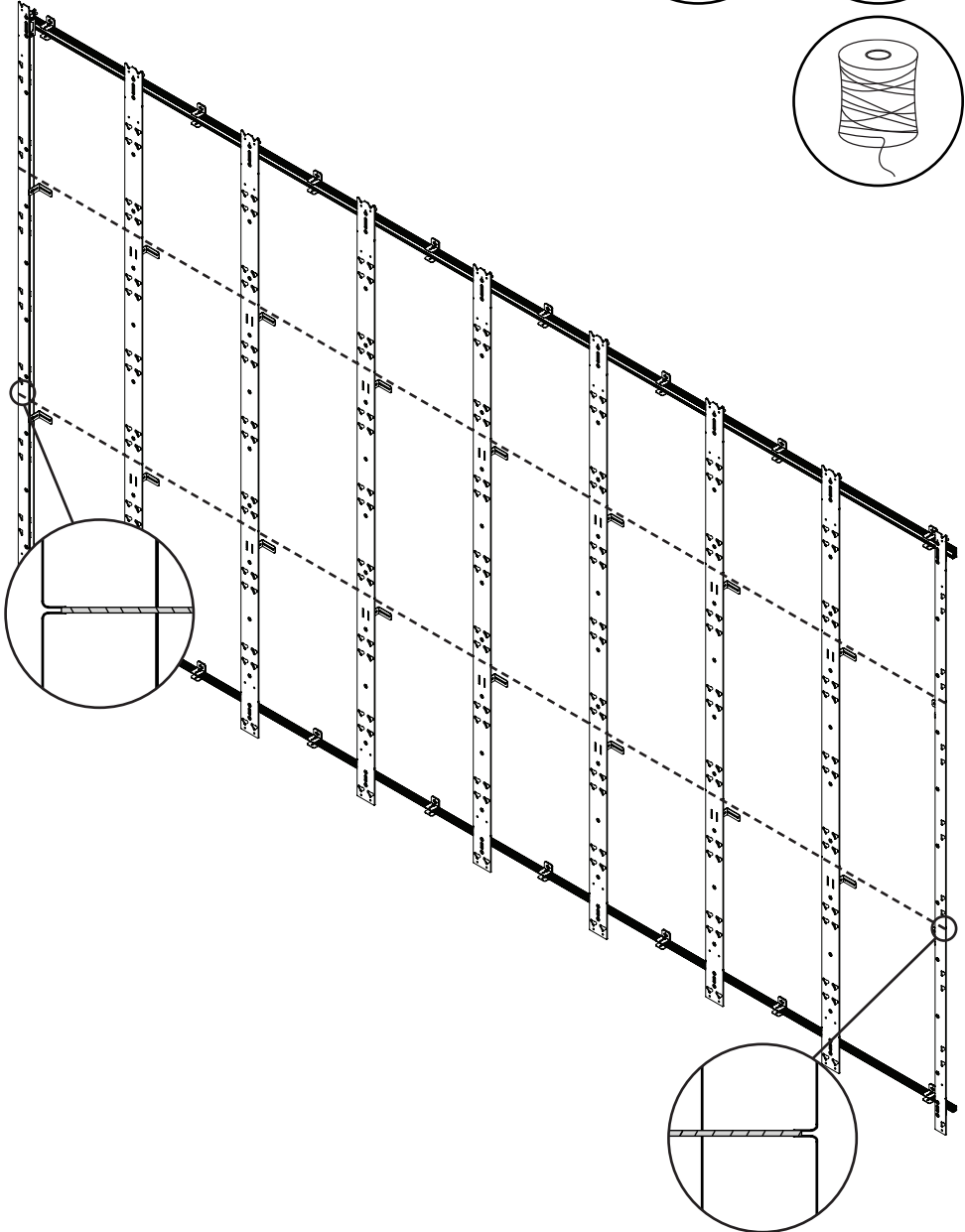
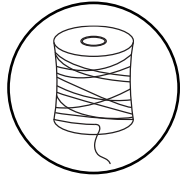
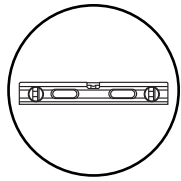
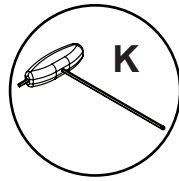
# 8-3

**ENG** Level L brackets. Install using wood screws provided.



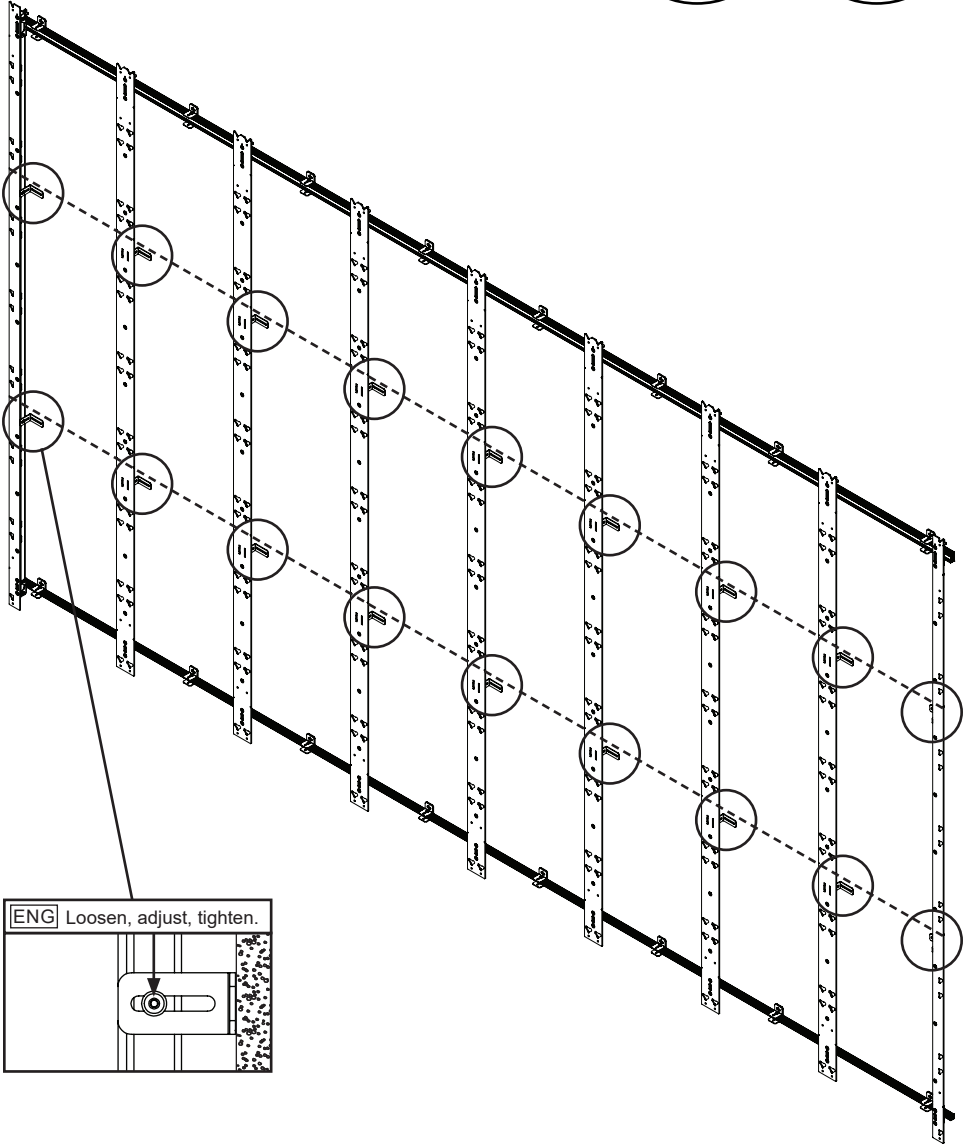
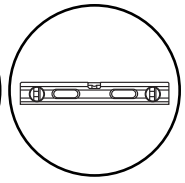
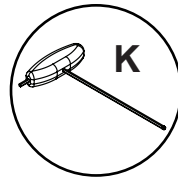
# 8-4

**ENG** Tie a string between center slots on outer columns in order to level the depth of each.



# 8-5

ENG Adjust depth, then remove string.

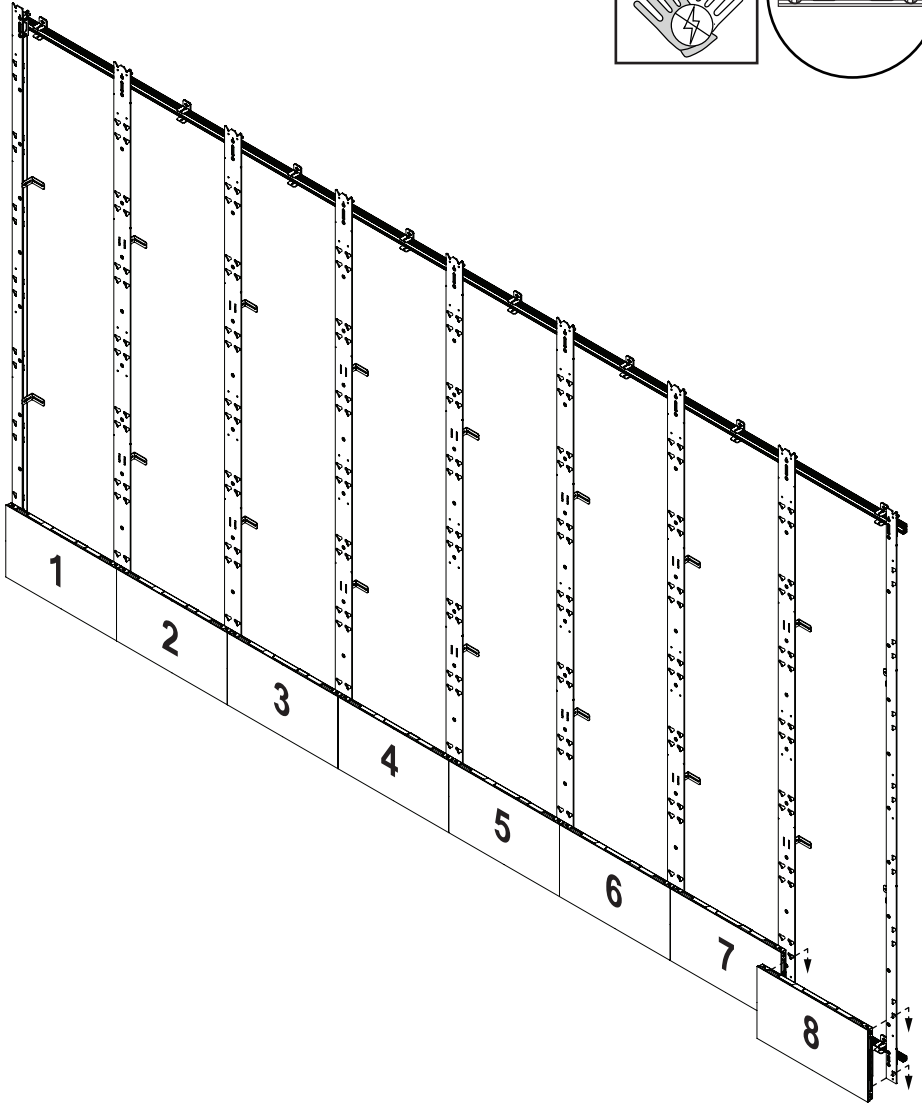
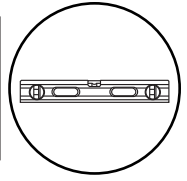


ENG Loosen, adjust, tighten.



# 9-1

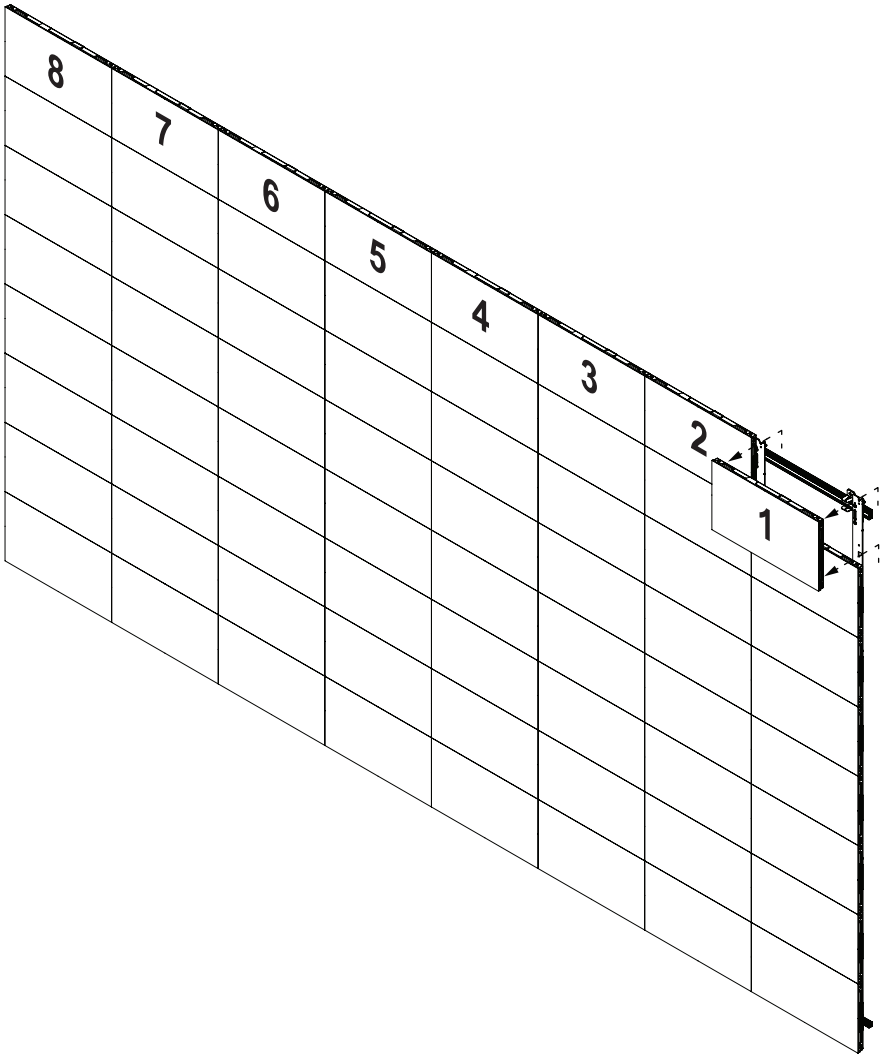
**ENG** Attach display, tighten connecting hardware, and run cables one at a time starting from the bottom left.





# 10

**ENG** To remove, start from the top right.



ENG Warranty  
ITL Garanzia

ESP Garantía  
ČES Záruka

FRN Garantie  
SLK Záruka

DEU Garantie  
POR Garantia

NEL Garantie  
TÜR Garanti

[www.peerless-av.com/warranty](http://www.peerless-av.com/warranty)

**peerless-AV<sup>®</sup>**

**Peerless-AV**

2300 White Oak Circle  
Aurora, IL 60502  
Email: [tech@peerlessmounts.com](mailto:tech@peerlessmounts.com)  
Ph: (800) 865-2112  
Fax: (800) 359-6500  
[www.peerless-av.com](http://www.peerless-av.com)

© 2021, Peerless Industries, Inc.

**Peerless-AV Europe**

Unit 3 Watford Interchange,  
Colonial Way, Watford, Herts,  
WD24 4WP, United Kingdom  
Customer Care  
44 (0) 1923 200 100  
[www.peerless-av.com](http://www.peerless-av.com)

© 2021, Peerless Industries, Inc.

**Peerless-AV América Latina**

Av. de las Industrias 413  
Parque Industrial Escobedo  
General Escobedo N.L., México 66062  
Servicio al Cliente  
01-800-849-65-77  
[www.peerless-av.com](http://www.peerless-av.com)

© 2021, Peerless Industries, Inc.