



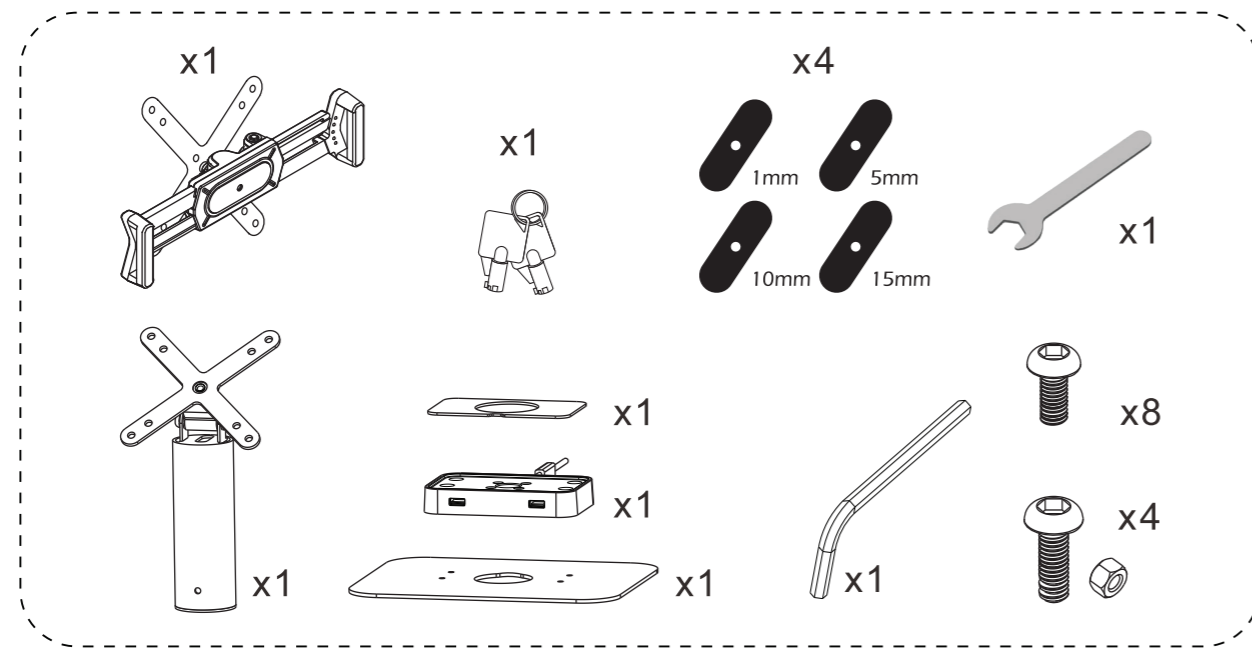
Desk Mount with Integrated 2 Port USB Hub w/ Universal Holder (White)

for 7-14 Inch Tablets

USER MANUAL

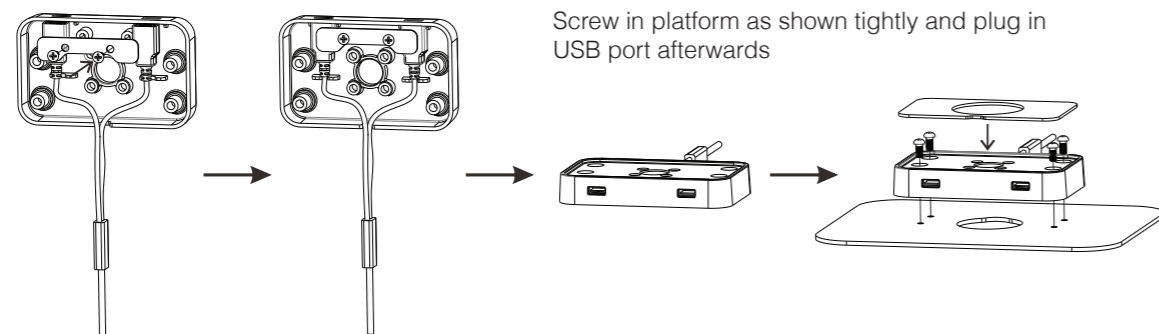
PAD-USBUHW

Contents:

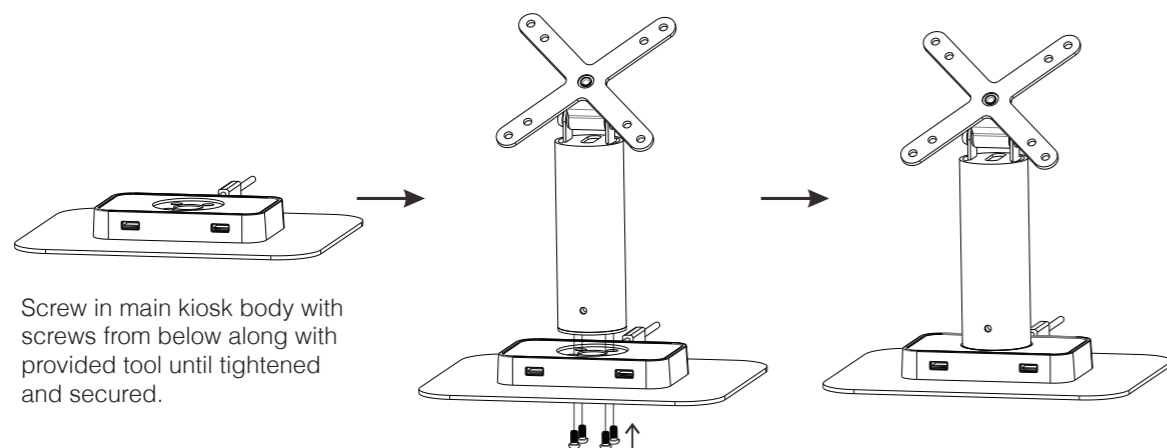


Instructions:

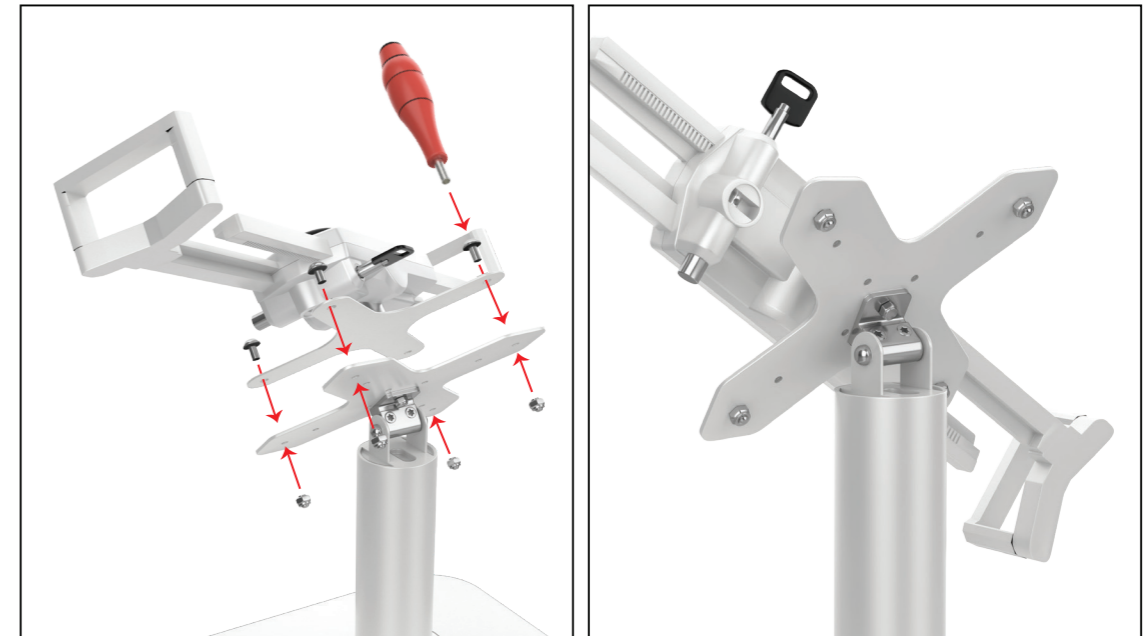
1. Installing Desk Mount Base Platform Components:



2. Installing Desk Mount Main Body:



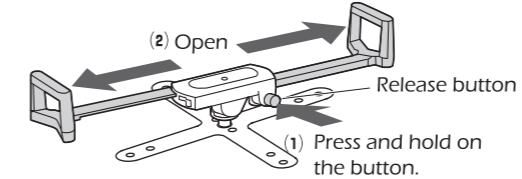
2. Mounting Holder to VESA plate:



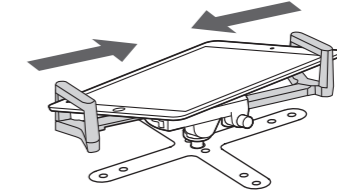
Combine nuts and screws through VESA plate from the front & back as shown with provided tools.

3. Installing tablet in holder

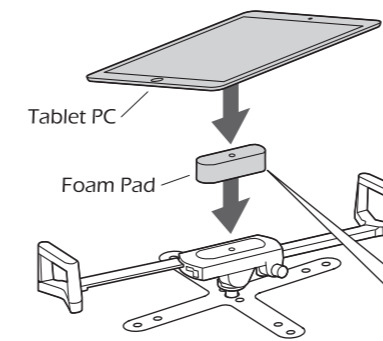
1. Press and hold on the release button to unlock the frame.



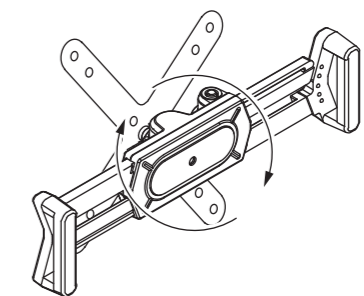
3. Adjust the frame to fit your tablet PC.



2. Install the tablet PC on the frame.

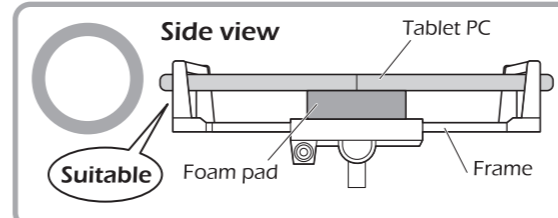


Adjustable Angle



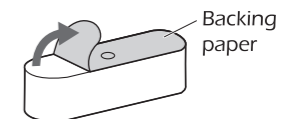
Can adjust thickness with foam pad

Use the sponge to adjust the thickness between the tablet and the stand.



Paste method

1. Tear off the backing paper on the foam pad.



2. Stick the foam pad to the frame as shown in the right picture.

