



# Inductive Charging Case

For iPad 10.2" 7th/8th Gen, iPad Pro 10.5 Inch and iPad Air 3 (2019)

**Caution:** For proper results, please make sure your device is properly aligned with the inductive charging plate.

**Caution:** Please do not place or store the product on or near high-temperature areas like heating devices, open flame, or in hot cars in extreme heat.

**Caution:** Please do not place or store the product in or near water, steam, or in any wet, humid, or damp places.

## INSTRUCTION MANUAL

PAD-ICCB / PAD-ICCTK / PAD-ICCTKG / PAD-ICCSUB / ADD-ICCSTAND



### Power Supply:

Input : AC 100-240V 50/60Hz  
 Output: DC12V 1.5A  
 Rating power:18W  
 Cable Length:1.8M  
 DC Plug: 5.5\*2.1mm male DC Plug

### Inductive Charging Case:

Qi Standard: V1.2.4  
 Input: DC12V 1.3A  
 Output: DC5V 2.4A(Max.)  
 Rating Power: 15W  
 Efficiency: 80-85%(Max.)  
 Inductive Distance:3-6mm

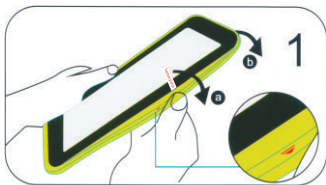
Input Socket: 5.5\*2.1mm female DC socket

Output Plug: Apple Lightning Plug  
 Charging Time :4-4.5 hours)

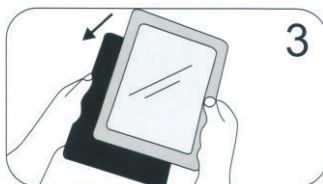
### Environmental Requirements:

Operating Temperature for iPad: 32°F to 95°F / 0°C to 35°C  
 Nonoperating Temperature: -4°F to 113°F / -20°C to 45°C

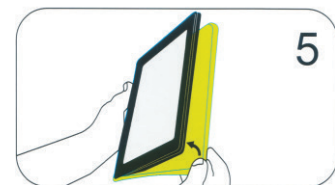
## iPad Installation



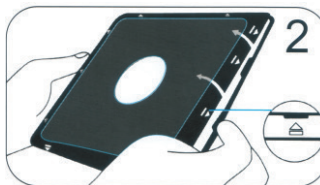
1 Peel the external silicone sleeve from the internal hard case.



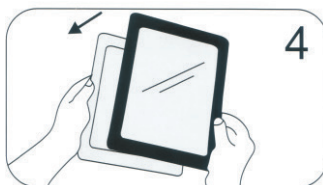
3 Insert the iPad into the back portion of the hard cover.



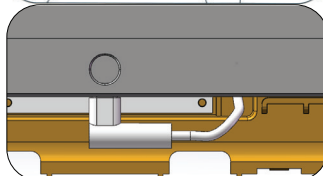
5 Reinstall the external silicone rubber sleeve



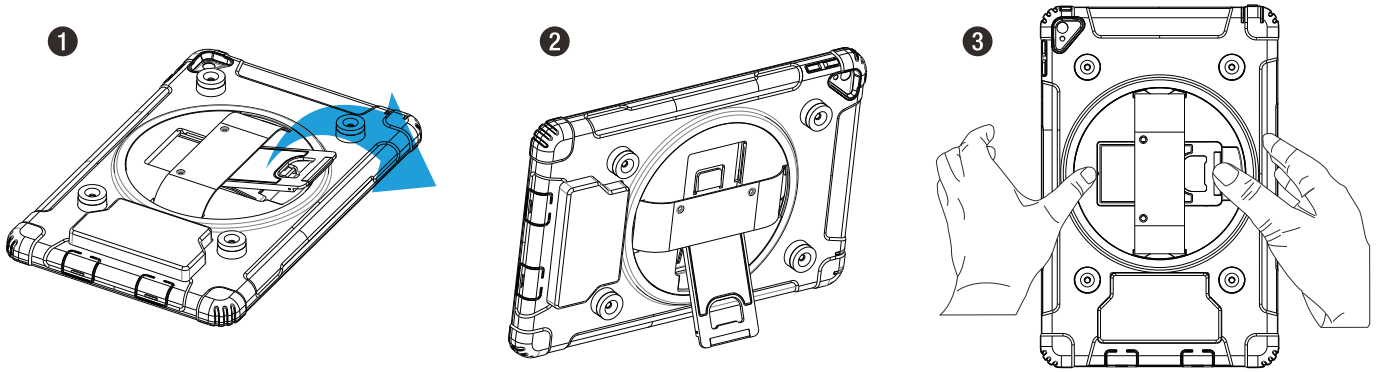
2 To open case, apply gentle pressure to the small clips (noted on the diagram by arrows). The internal hard case will open when all four sides are unclipped.



4 Once the iPad is inside, plug the lightning charging cable into the power socket. Then place the internal front (hard) cover on the top of the case and gently clip all four sides shut.

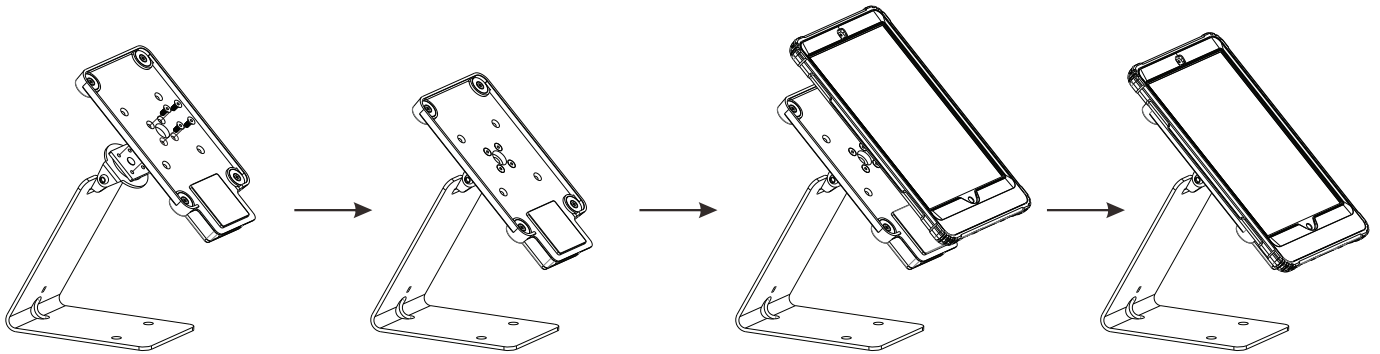


## TABLETOP OR HANDHELD MODE



1. Locate kickstand at case rear and fold out underneath strap.
2. Display tablet at desired viewing angle.
3. Press kickstand in to return to handheld mode.

## CONNECT TABLET CASE TO STAND



## IPAD/STAND CHARGING

