

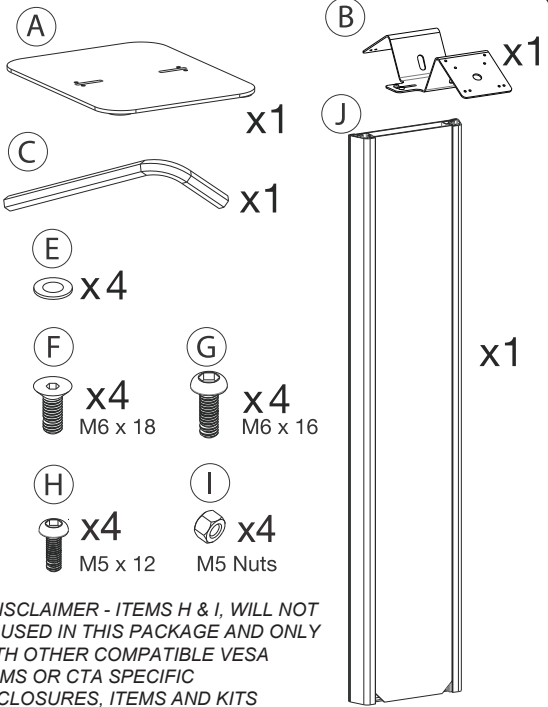


# Premium Floor Stand Kiosk with Graphic Slots & Dual VESA Plates (Black/White)

ADD-PARAFSV2 / ADD-PARAFWV2

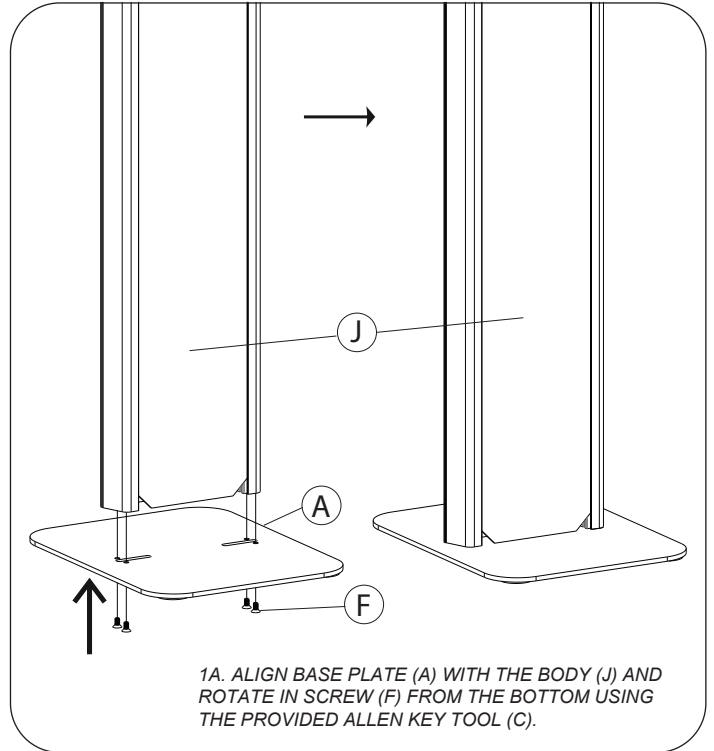
## INSTRUCTION - MANUAL

### CONTENTS:

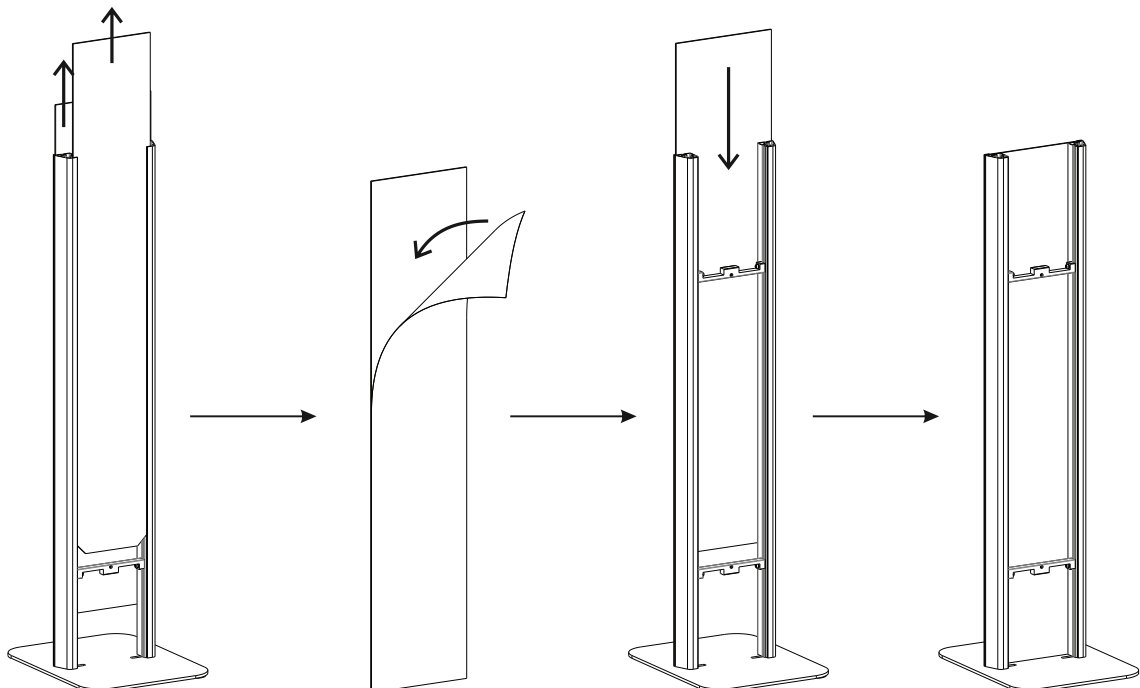


**\*\*DISCLAIMER - ITEMS H & I, WILL NOT BE USED IN THIS PACKAGE AND ONLY WITH OTHER COMPATIBLE VESA ITEMS OR CTA SPECIFIC ENCLOSURES, ITEMS AND KITS**

### 1. INSTALLING BASE:

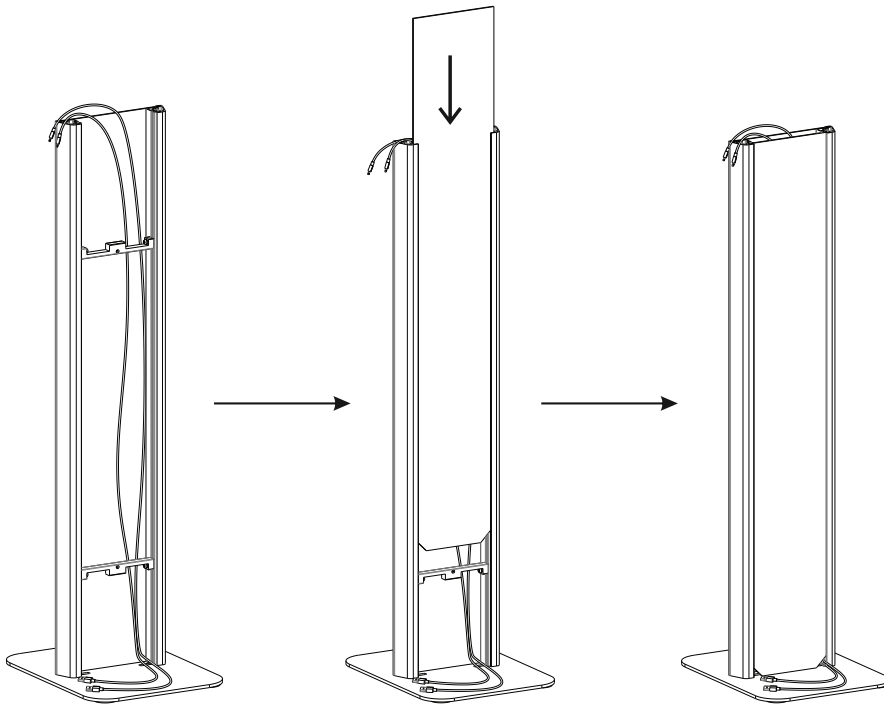


### 2. SETTING UP GRAPHIC CARD SLOT



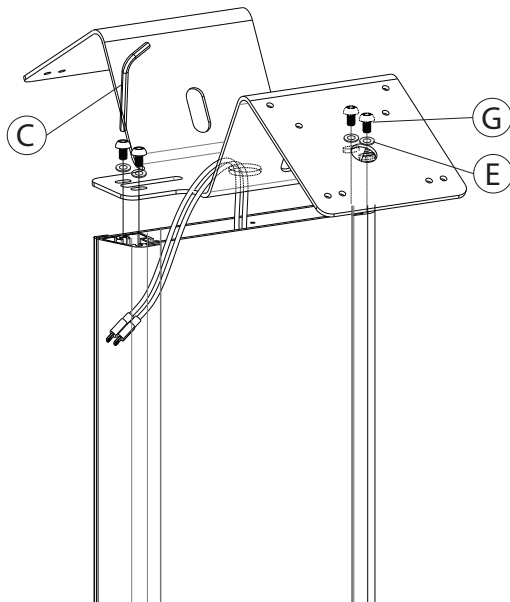
2A. SLIDE OUT THE (2) GRAPHIC CARD PANELS IN THE FRONT AND BACK OF THE BODY (J). IF THERE IS A STICKER FILM, REMOVE THAT FIRST. IF YOU HAVE PRINTED OUT A STICKER GRAPHIC, PLACE IT ONTO THE PANEL. IF YOU ARE USING A COMPLETE NEW PANEL, YOU CAN REPLACE THE INITIAL PANELS THAT CAME WITH THE FLOOR STAND. PLACE ONE PANEL BACK FIRST, THEN THE OTHER.

### 3. SETTING UP CABLE ROUTING



3A. WITH ONLY (1) PANEL BACK IN, SLIDE IN THE POWER CORDS AND ANY OTHER CORDS THAT WOULD NEED TO BE CONNECTED TO THE TABLET THROUGH THE BODY AS SHOWN. THERE WILL BE GAPS AT THE TOP AND BOTTOM FOR THEM TO ROUTE OUT TO THE POWER SOURCE AND TO THE DEVICE. SLIDE IN SECOND PANEL WHEN ROUTING IS FINISHED.

### 4. ATTACH DUAL VESA PLATE



5A. FIRST, WITH ALL THE ITEMS ALIGNED, ROUTE ANY WIRES THROUGH THE PLATE'S OPENINGS.

5B. THEN ROTATE IN SCREWS(G) AND WASHERS(E) FROM THE TOP USING PROVIDED TOOL (C) AS ILLUSTRATED.

