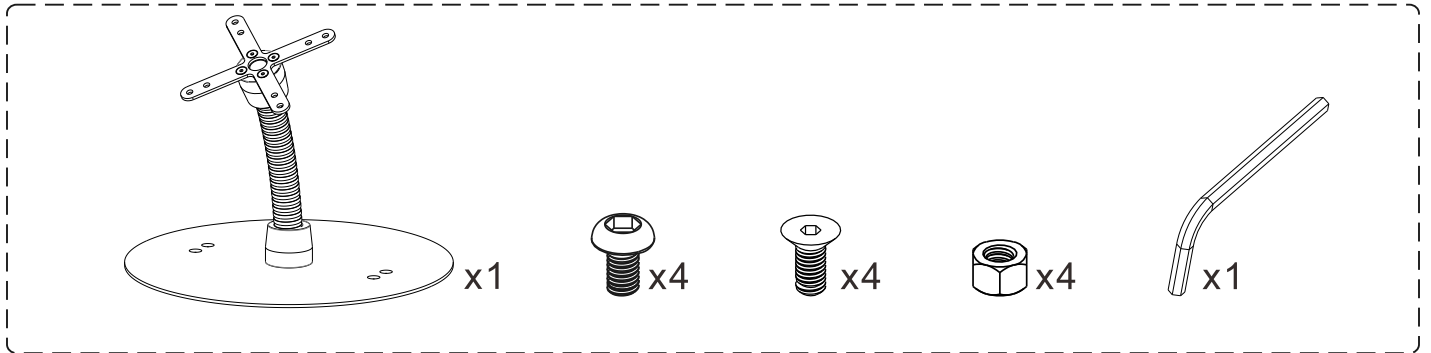




ADD-On Tray for PAD-PARAF1 with Gooseneck & VESA Plate (Black)

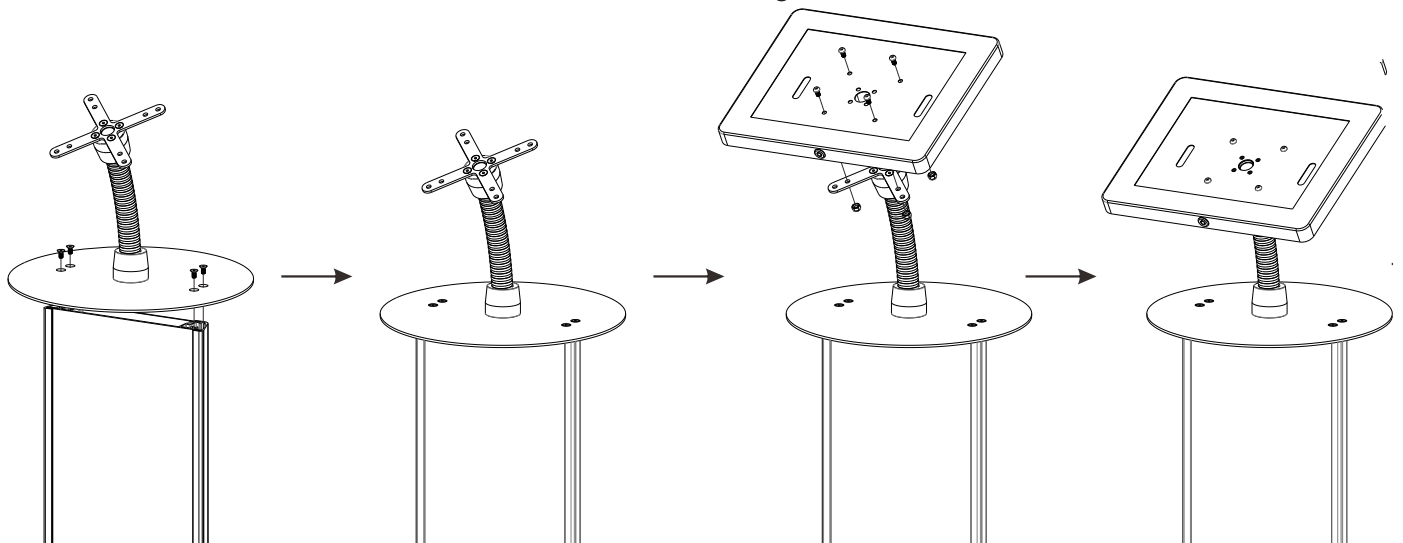
ADD-GNVTRAY

INSTRUCTION - MANUAL



1. Installing ADD-On Tray to PAD-PARAF1

2. Installing a VESA compatible component to gooseneck



***Tablet Enclosure is not included and only being shown as an example*