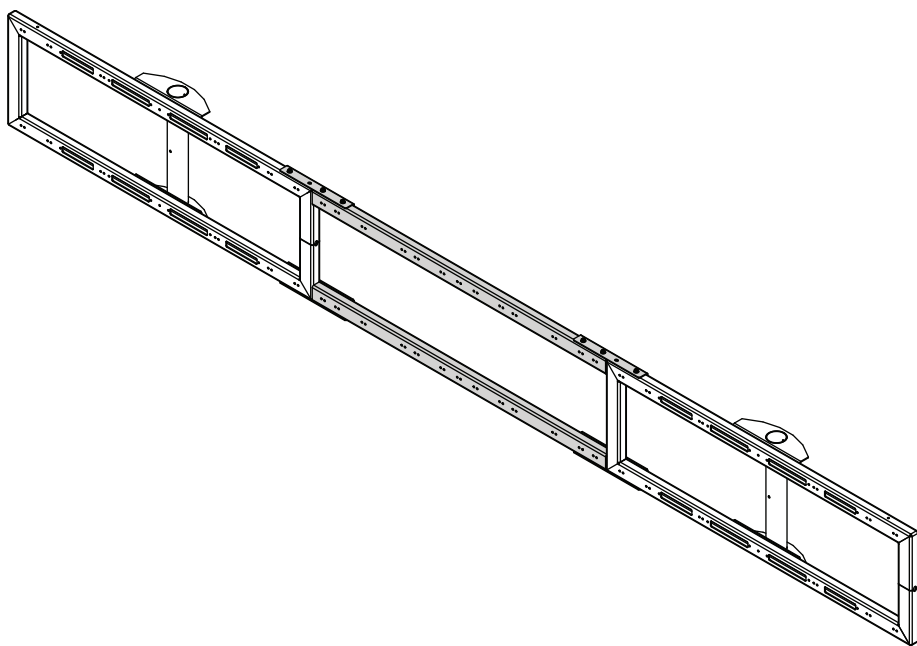
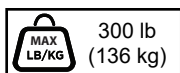


peerless-AV[®]

ACC-MBCR1



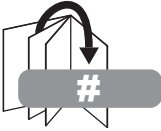
⚠ WARNING

ENG - Before installing make sure the supporting surface will support the combined load of the equipment and hardware. Screws must be tightly secured. Do not overtighten screws or damage can occur and product may fail. Never exceed the Maximum Load Capacity. Always use an assistant or mechanical lifting equipment to safely lift and position equipment. This product is intended for indoor use only. Use of this product outdoors could lead to product failure or personal injury. Be careful not to pinch fingers when operating the mount. For support please call customer care at 1-800-865-2112.

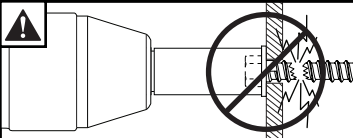
ENG Symbols



ENG WARNING



ENG Skip to step.

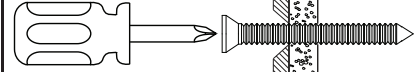


ENG Do not overtighten screws.

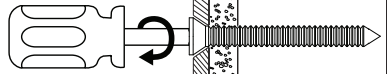


ENG To properly tighten screws: Tighten until screw head makes contact, then tighten another 1/2 turn. Do not overtighten screws.

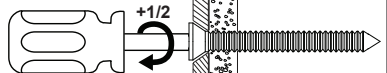
1



2



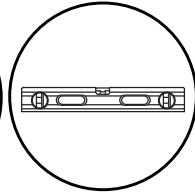
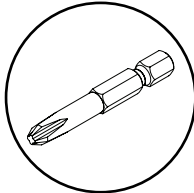
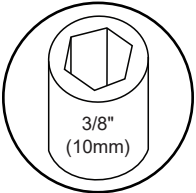
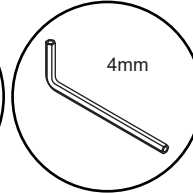
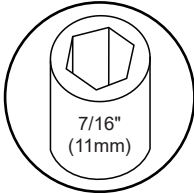
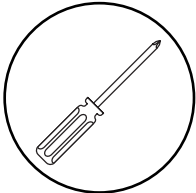
3



4



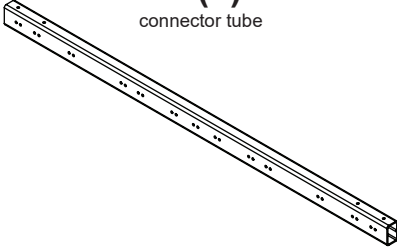
ENG Tools Needed for Assembly.



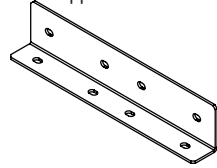
ENG Parts (Before beginning, make sure you have all parts shown below).

Parts List		
Description	Qty	Part #
A connector tube	2	10002743-RBLK
B support bracket	4	10002758-RBLK
C 1/4-20 x 3/4" hex head screw	36	520-1321
D 1/4-20 x 1/2" phillips screw	2	510-9108

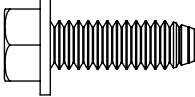
A (2)
connector tube



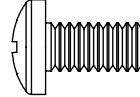
B (4)
support bracket



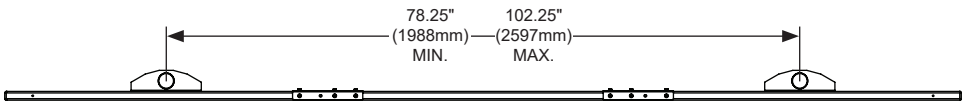
C (36)
1/4-20 x 3/4"
hex head screw



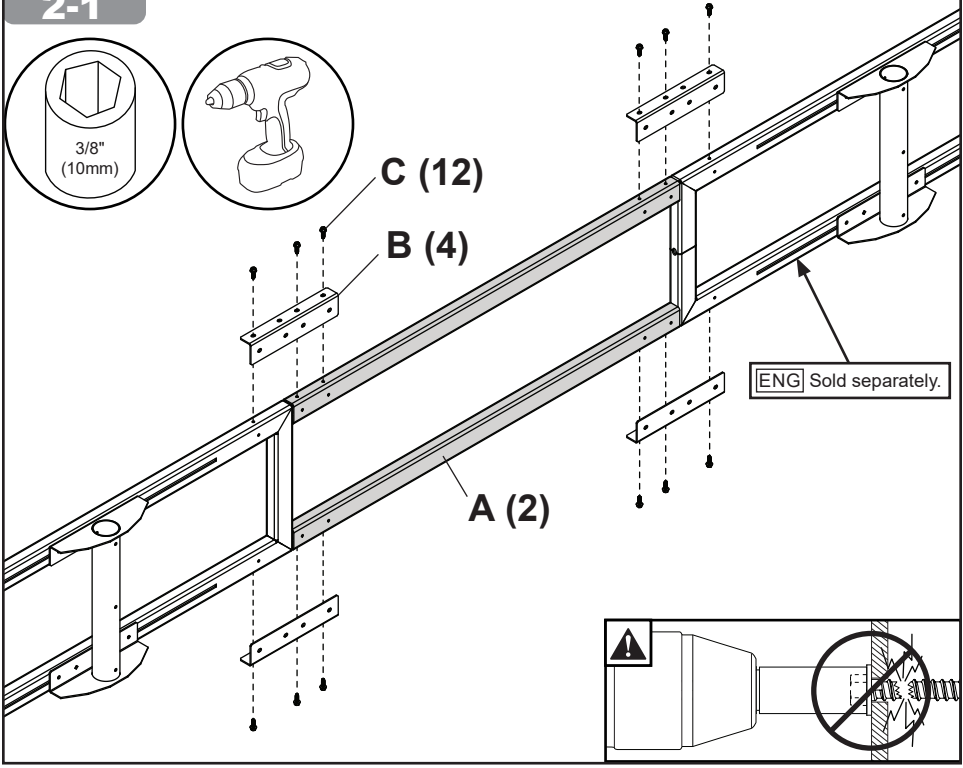
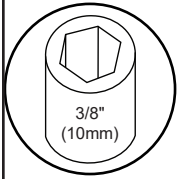
D (2)
1/4-20 x 1/2"
phillips screw



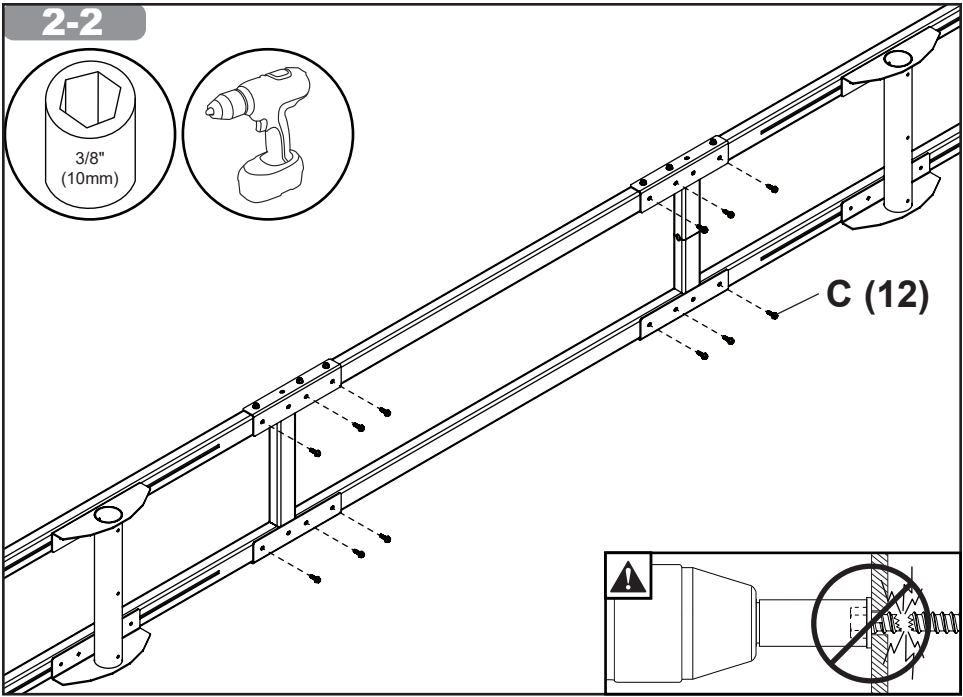
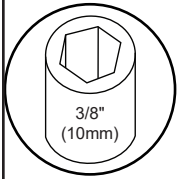
1



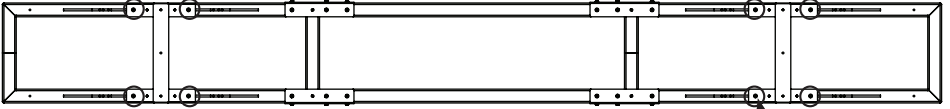
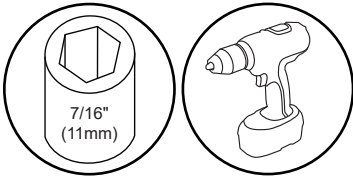
2-1



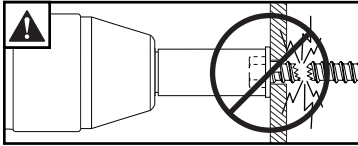
2-2



3-1

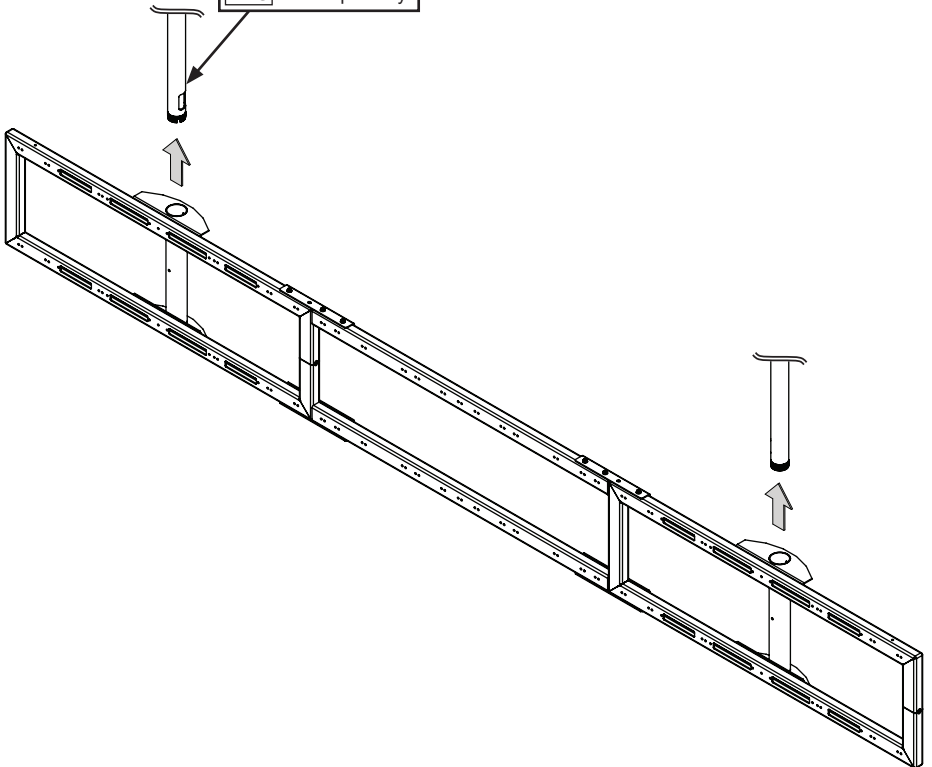


[ENG] Loosen, adjust, tighten.



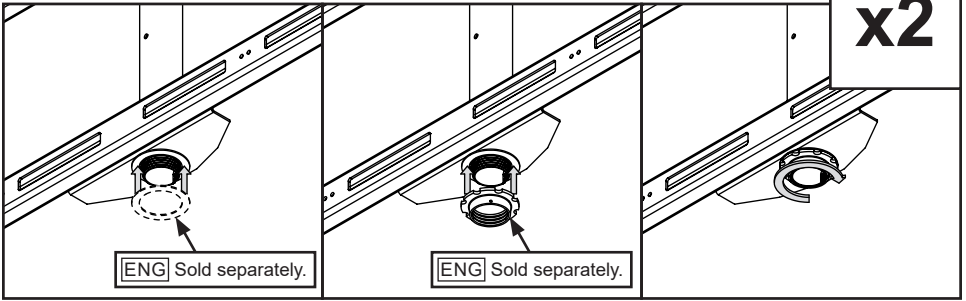
3-2

[ENG] Sold separately.

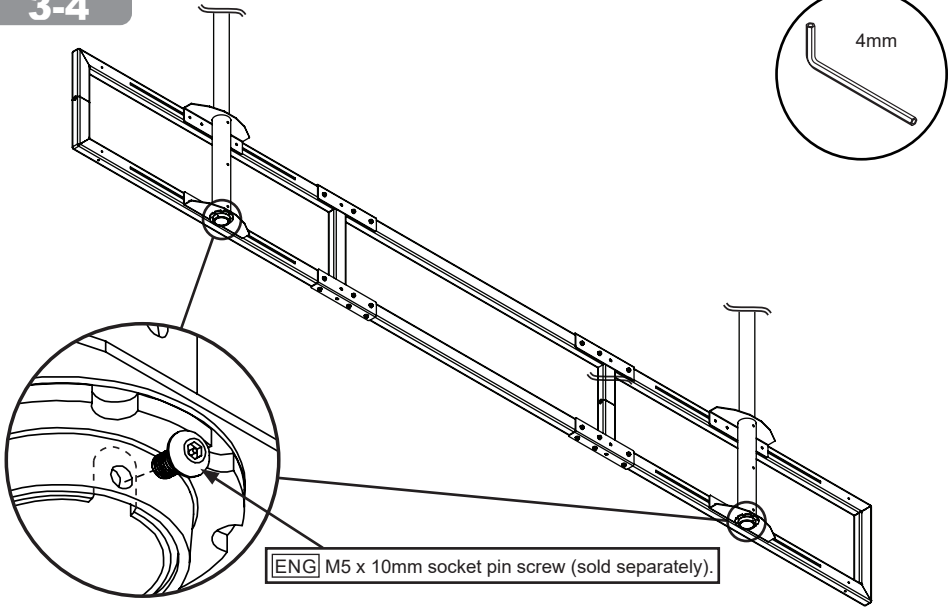


3-3

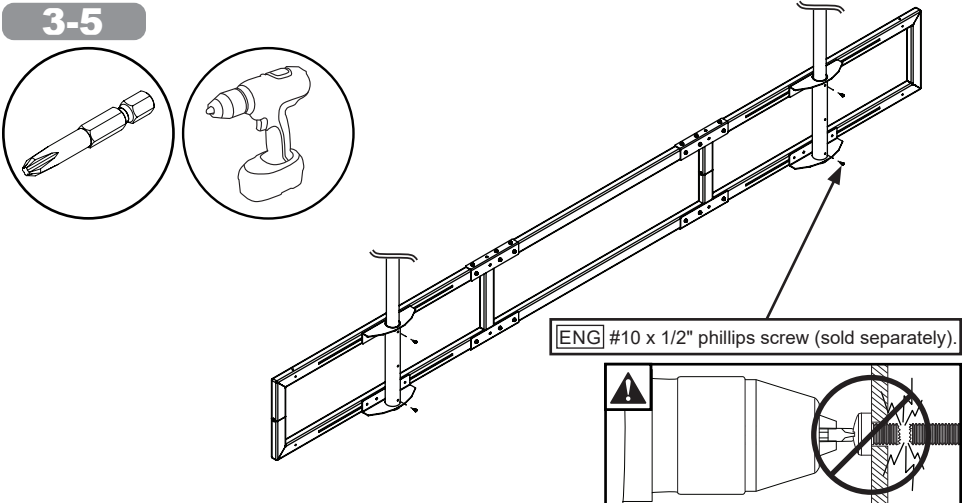
x2



3-4

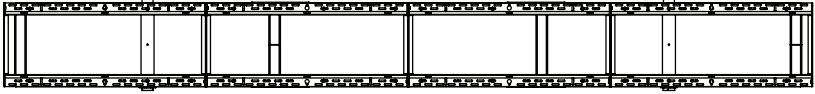


3-5

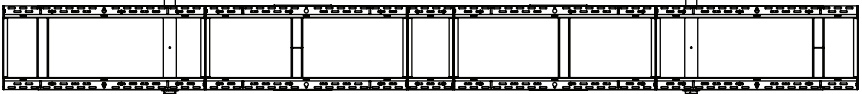


4

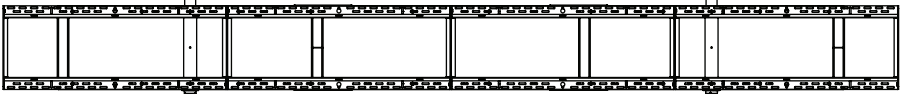
DS-MBZ942L-2X1



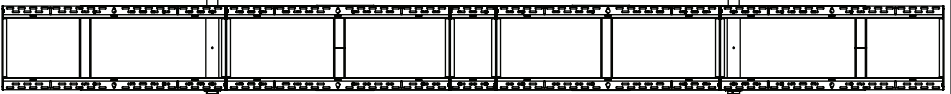
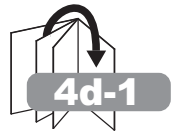
**DS-MBZ942L-2X1
and ACC-MB0800**



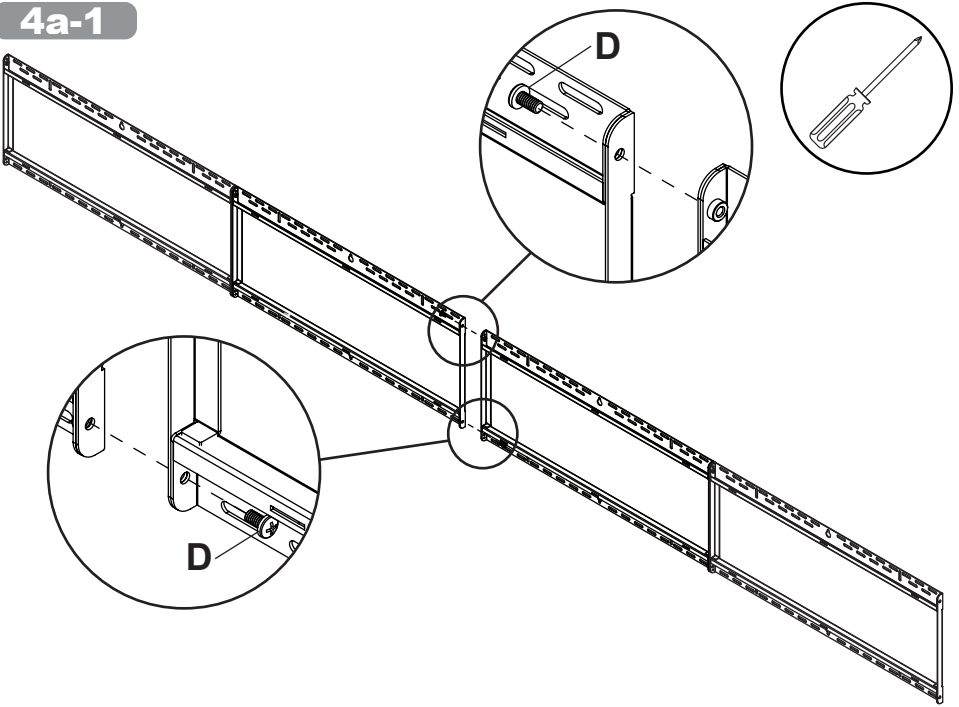
DS-MBZ947L-2X1



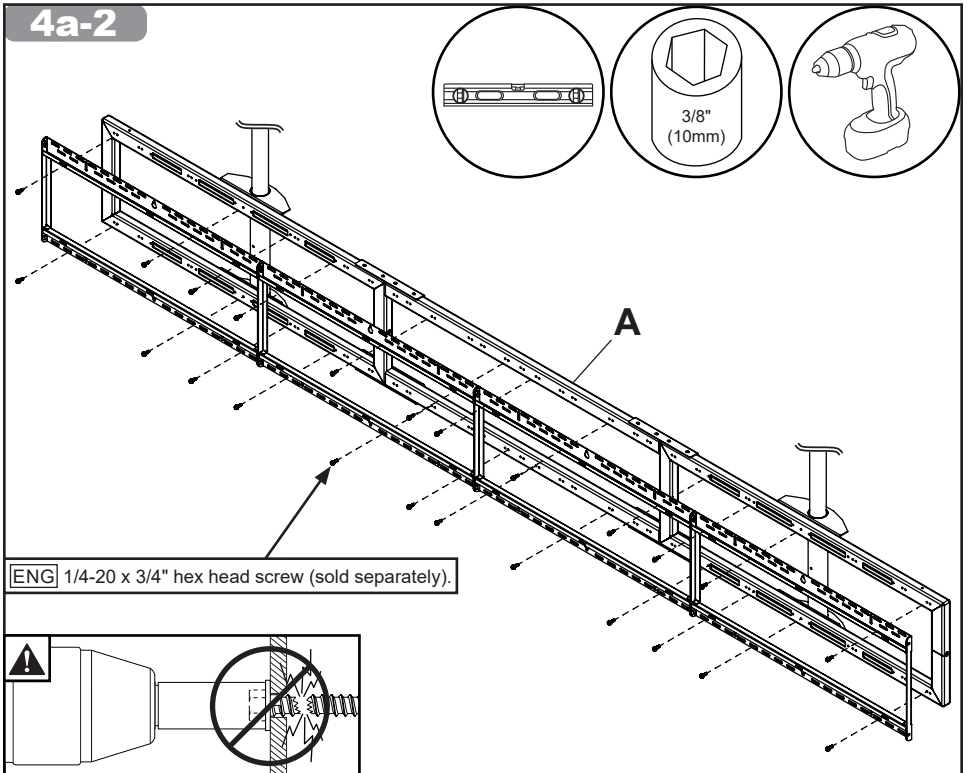
**DS-MBZ947L-2X1
and ACC-MB0800**



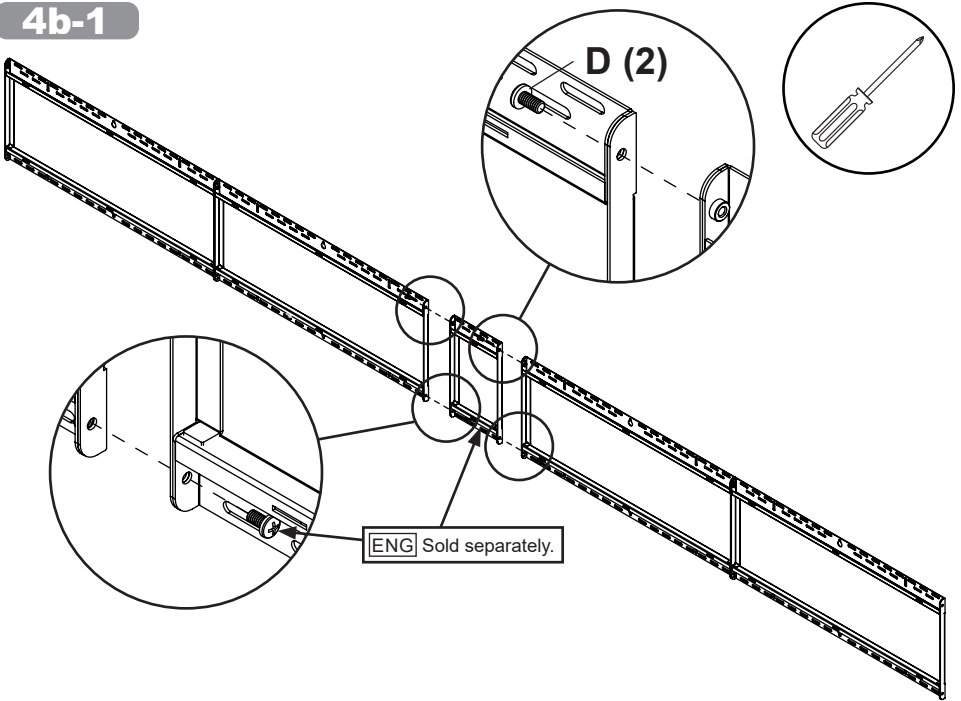
4a-1



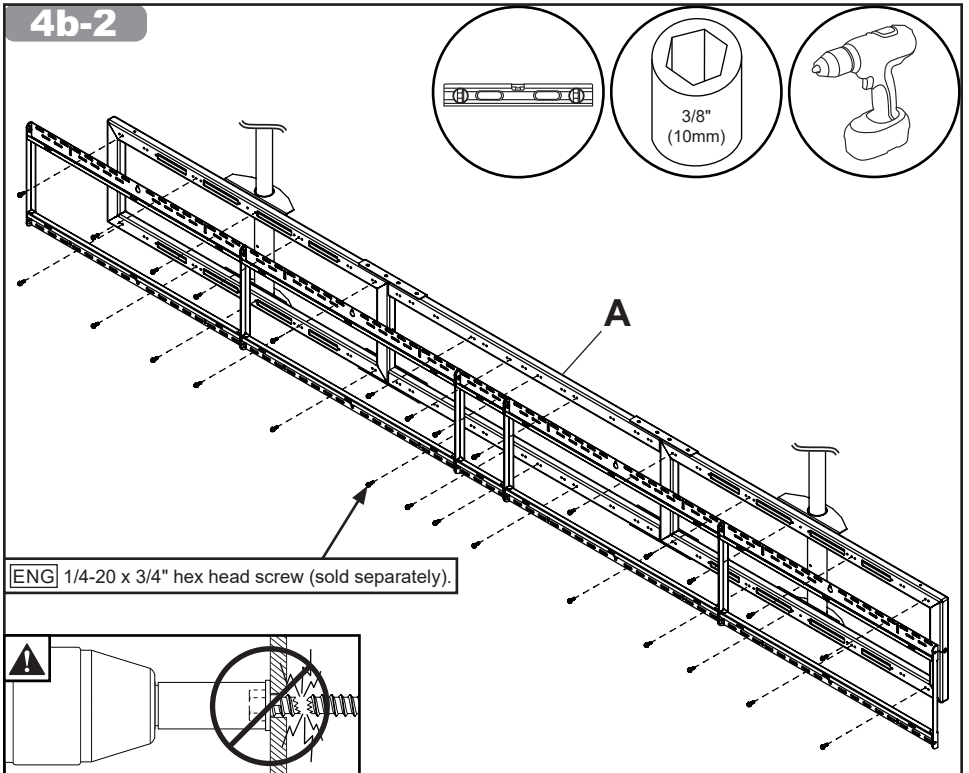
4a-2



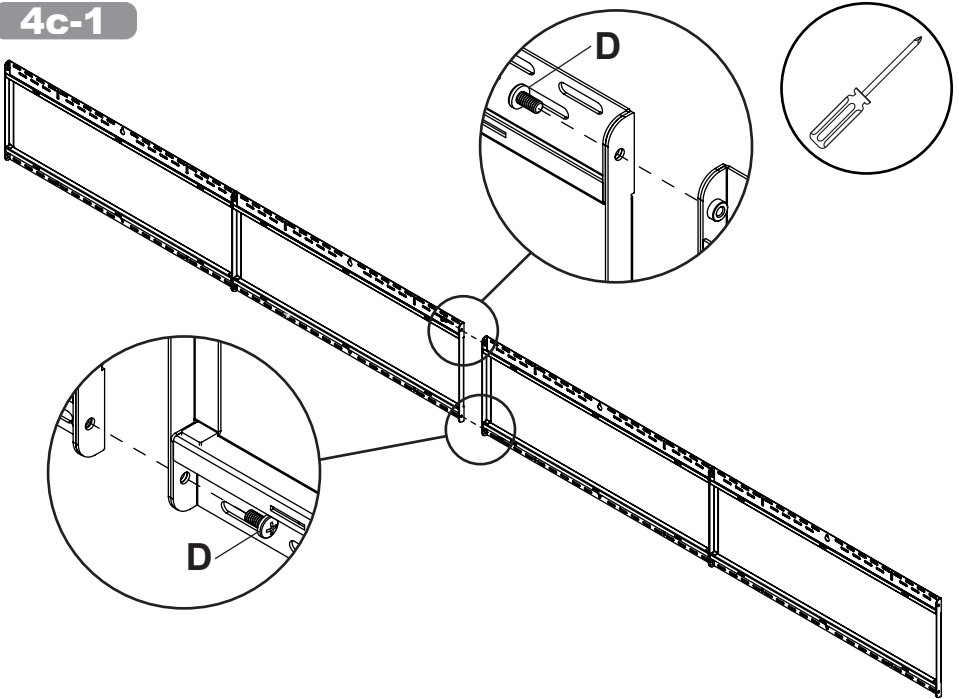
4b-1



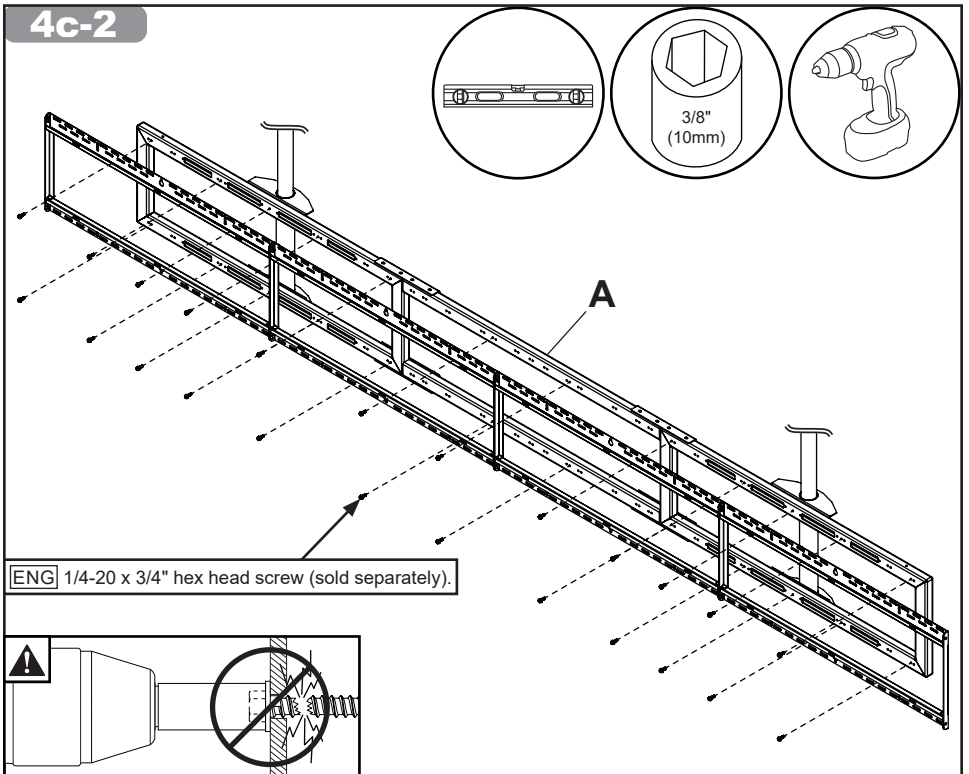
4b-2



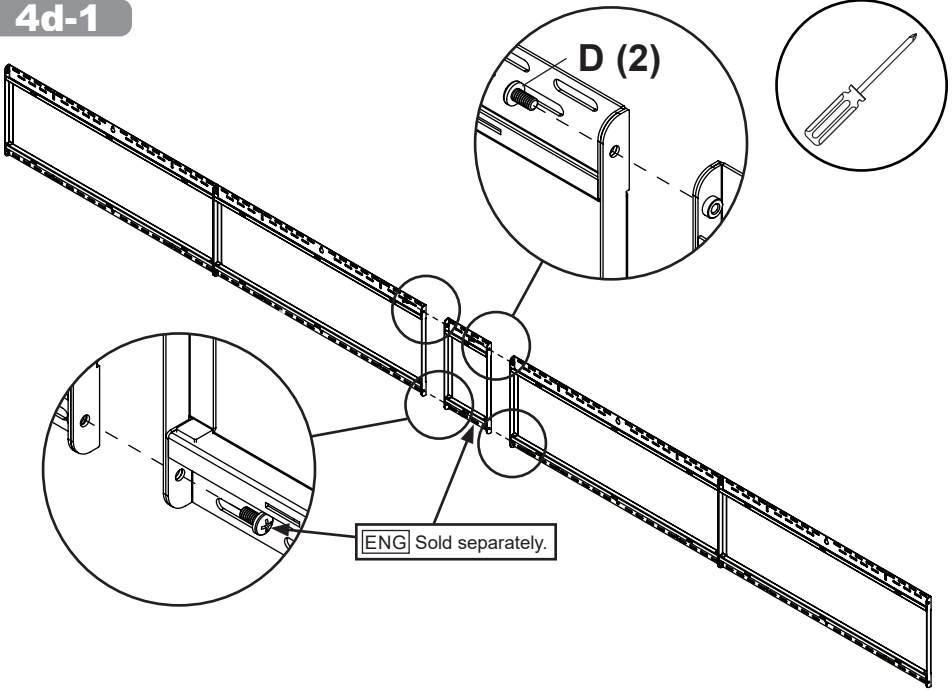
4c-1



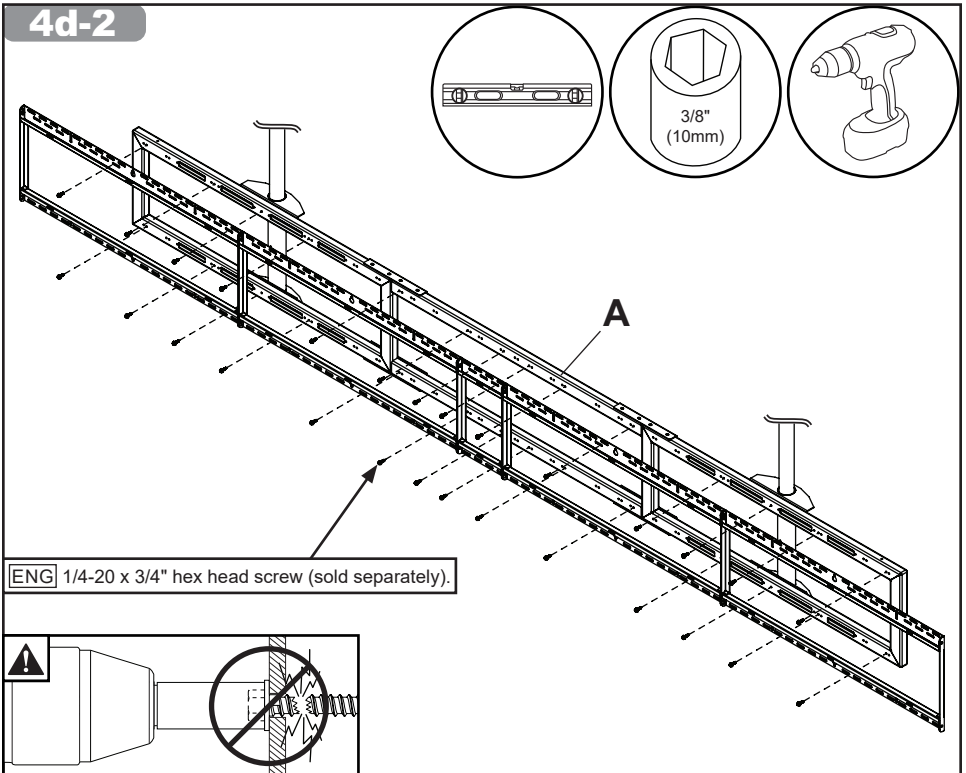
4c-2



4d-1



4d-2



ENG Warranty
ITL Garanzia

ESP Garantía
ČES Záruka

FRN Garantie
SLK Záruka

DEU Garantie
POR Garantia

NEL Garantie
TÜR Garanti

www.peerless-av.com/warranty

peerless-AV[®]

Peerless-AV

2300 White Oak Circle
Aurora, IL 60502
Email: tech@peerlessmounts.com
Ph: (800) 865-2112
Fax: (800) 359-6500
www.peerless-av.com

© 2021, Peerless Industries, Inc.

Peerless-AV Europe

Unit 3 Watford Interchange,
Colonial Way, Watford, Herts,
WD24 4WP, United Kingdom
Customer Care
44 (0) 1923 200 100
www.peerless-av.com

© 2021, Peerless Industries, Inc.

Peerless-AV América Latina

Av. de las Industrias 413
Parque Industrial Escobedo
General Escobedo N.L., México 66062
Servicio al Cliente
01-800-849-65-77
www.peerless-av.com

© 2021, Peerless Industries, Inc.