



ADD-CFDCM

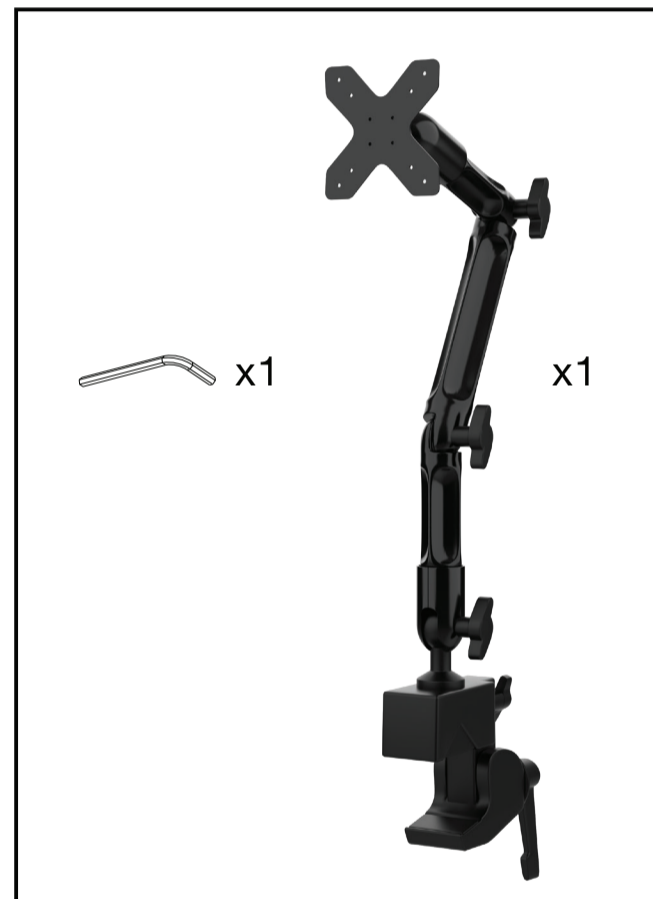
Custom Flex Desk Clamp with VESA Plate

INSTRUCTION MANUAL

Thank you for choosing CTA Digital's product. We hope that you will enjoy using it. Please follow the guidelines and instructions as laid out in this instruction manual.

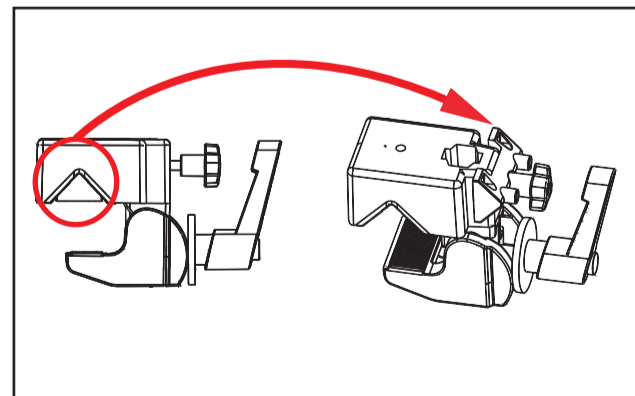


Package Contents:

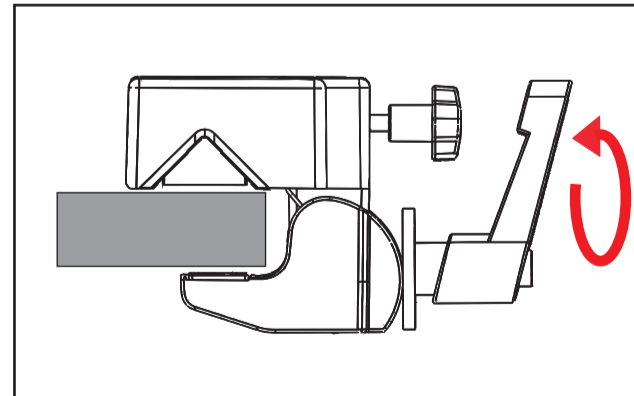


Instructions:

1. Installing Clamp Mount to the Desk

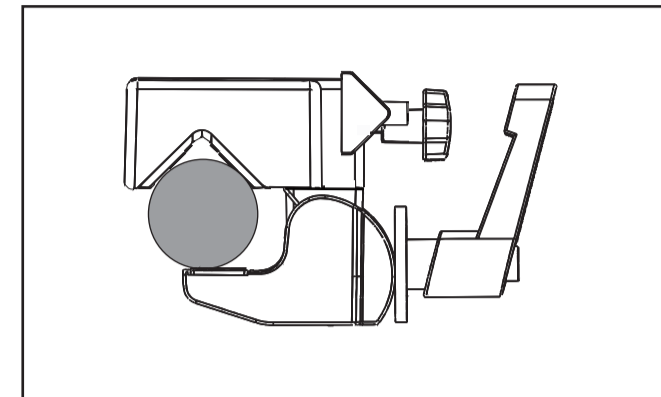


1. Put the attached plastic insert on the side into the clamp.

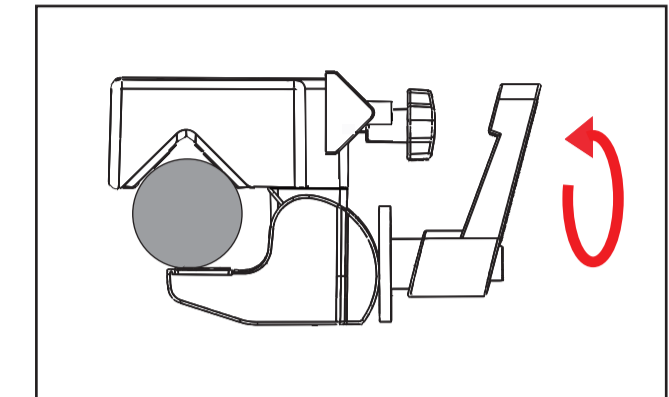


2. Clip on the clamp to the desk then twist the lever clockwise to tighten it securely.

2. Installing Clamp Mount to a Pole

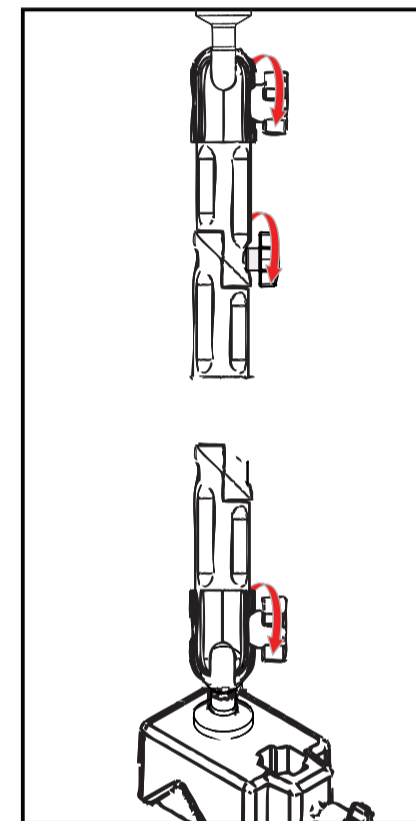


1. Clip on the clamp to the Pole.

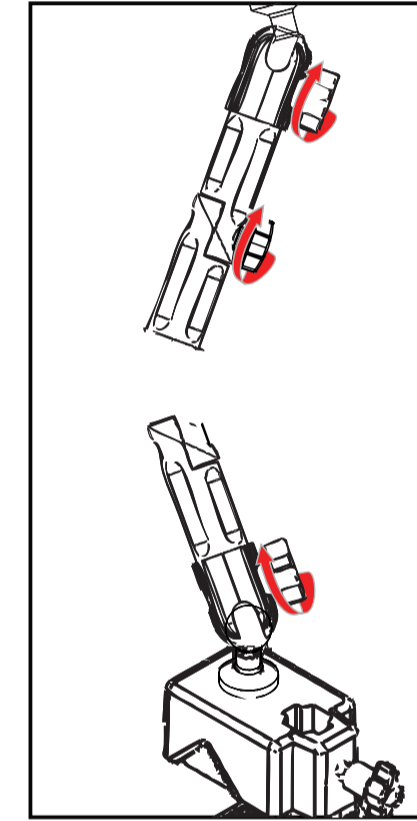


2. Twist the lever clockwise to tighten it securely.

3. Adjusting the Flex Arm

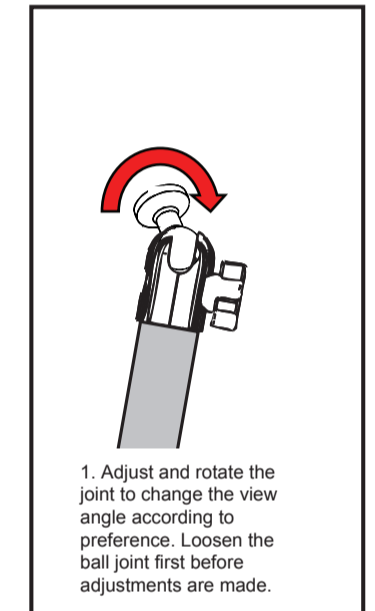


1. Twist the SCREW KNOB of the arms anticlockwise to release the connection.



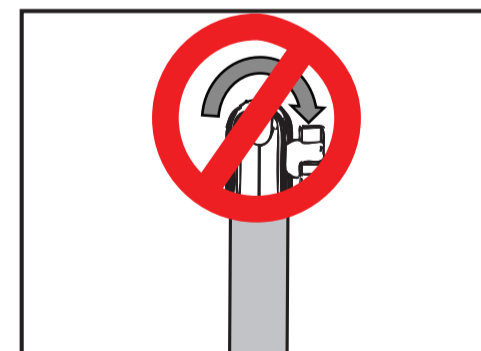
2. Adjust the arms to your favorite position and then tighten the SCREW KNOB clockwise.

4. Adjusting the Ball Joint



1. Adjust and rotate the joint to change the view angle according to preference. Loosen the ball joint first before adjustments are made.

*Disclaimer - Ball Joint Warning



DO NOT attempt to adjust, tilt, or rotate any ball socket joints while it is fully tightened. Any such action will result in possible damage and loss of integrity of product functioning at full capacity. Manufacturer will not be responsible for any such actions by any person.



Caution

Please be sure to fasten all the screws were tightened securely while using the stand. Not for use while driving.

SUPPORT@CTADIGITAL.COM

1. Insert key into lock at back of holder. Turn counterclockwise to unlock, then slide to open. Insert tablet against fixed end, then slide down to hold tight. Turn key clockwise to lock.