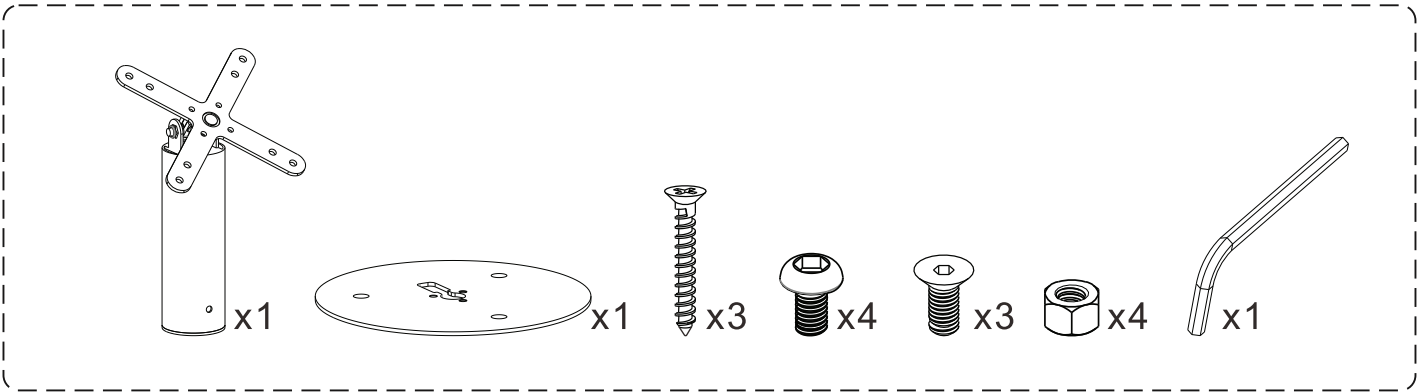




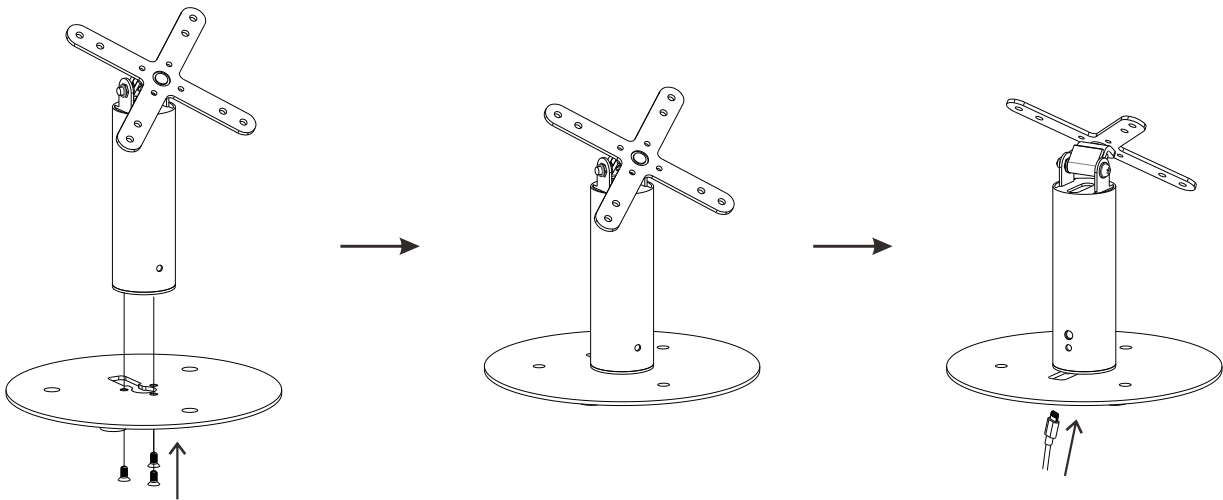
# VESA Compatible Desk Mount with 360-Degree Rotation for PAD-UGT & PAD-HSKSB

ADD-USGTBP

## INSTALLATION - MANUAL



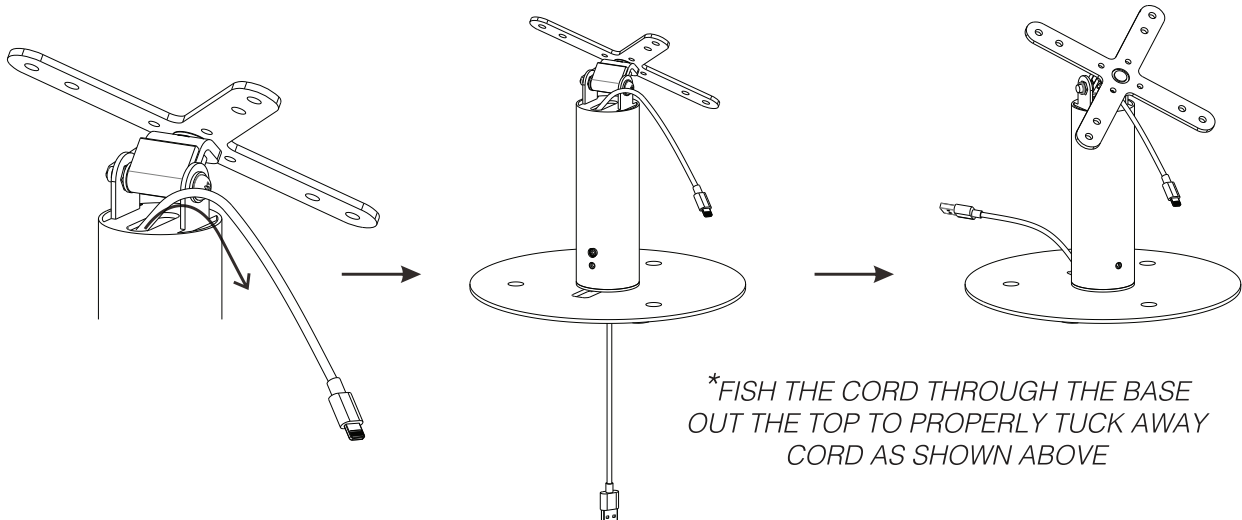
### 1. ASSEMBLY



*\*ALIGN HOLES AT THE BASE WITH THE HOLES ON THE BASE OF THE BODY. SCREW IN BOLTS WITH TOOL PROVIDED*

*\*IDENTIFY THE HOLE AT THE BOTTOM TO WHERE CABLE ROUTING SHOULD GO*

### 2. CABLE ROUTING/CABLE MANAGEMENT

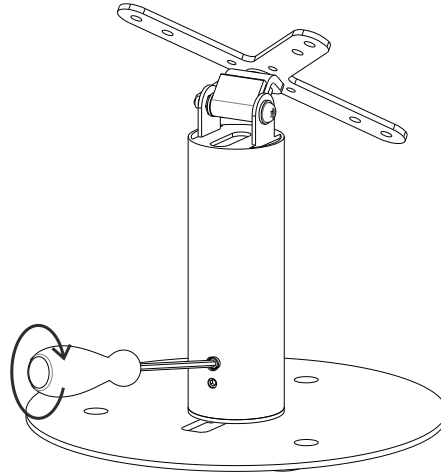


*\*FISH THE CORD THROUGH THE BASE OUT THE TOP TO PROPERLY TUCK AWAY CORD AS SHOWN ABOVE*

### 3. FASTEN TO CREATE A STATIC SETUP

①

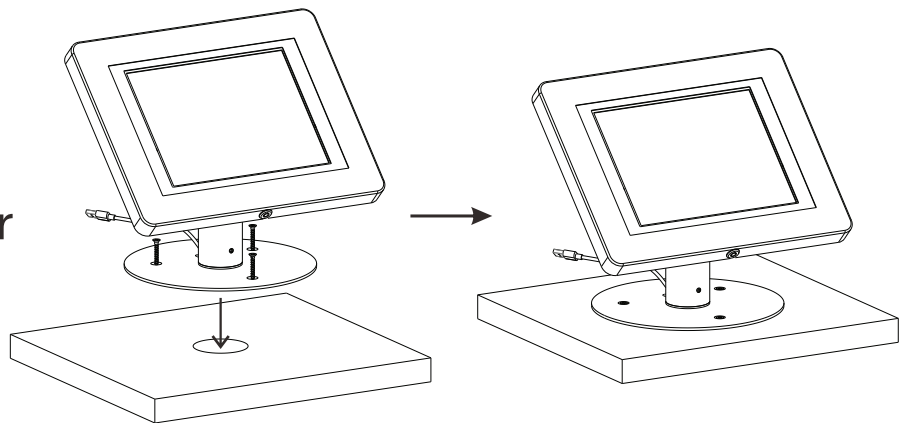
Turn clockwise to prevent rotation



### 4. (OPTIONAL) SCREW TO SURFACETOP TO CREATE A MORE SECURE HOLD

②

Bolt to countertop or wall with screws



### 5. SCREW IN A VESA COMPATIBLE OBJECT TO VESA CONNECTION

*\*EXAMPLE SHOWN BELOW IS OF A CTA PARAGON ENCLOSURE BEING SCREWED TO VESA CONNECTION. ANY COMPATIBLE VESA OBJECT WILL BE COMPATIBLE SO LONG AS THEY HAVE THE SAME HOLE CONFIGURATION. TABLET ENCLOSURE IS FOR EXAMPLE AND NOT INCLUDED.*

