



INSTALLATION INSTRUCTIONS

Product

7160-1624
7170-0892-XX

Revision

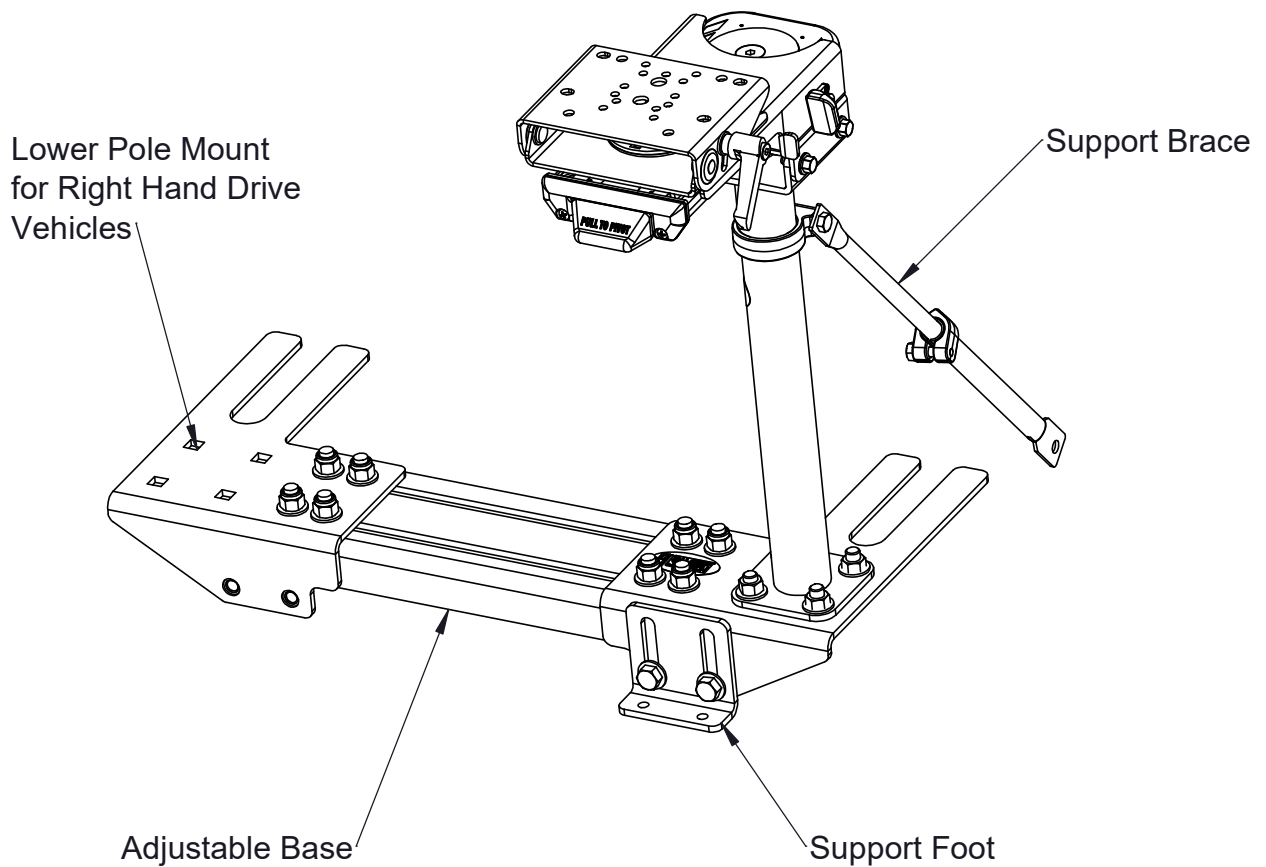
A

Form

INST-1044

Description: Universal Adjustable Seat Base

Printing Spec: PS-001



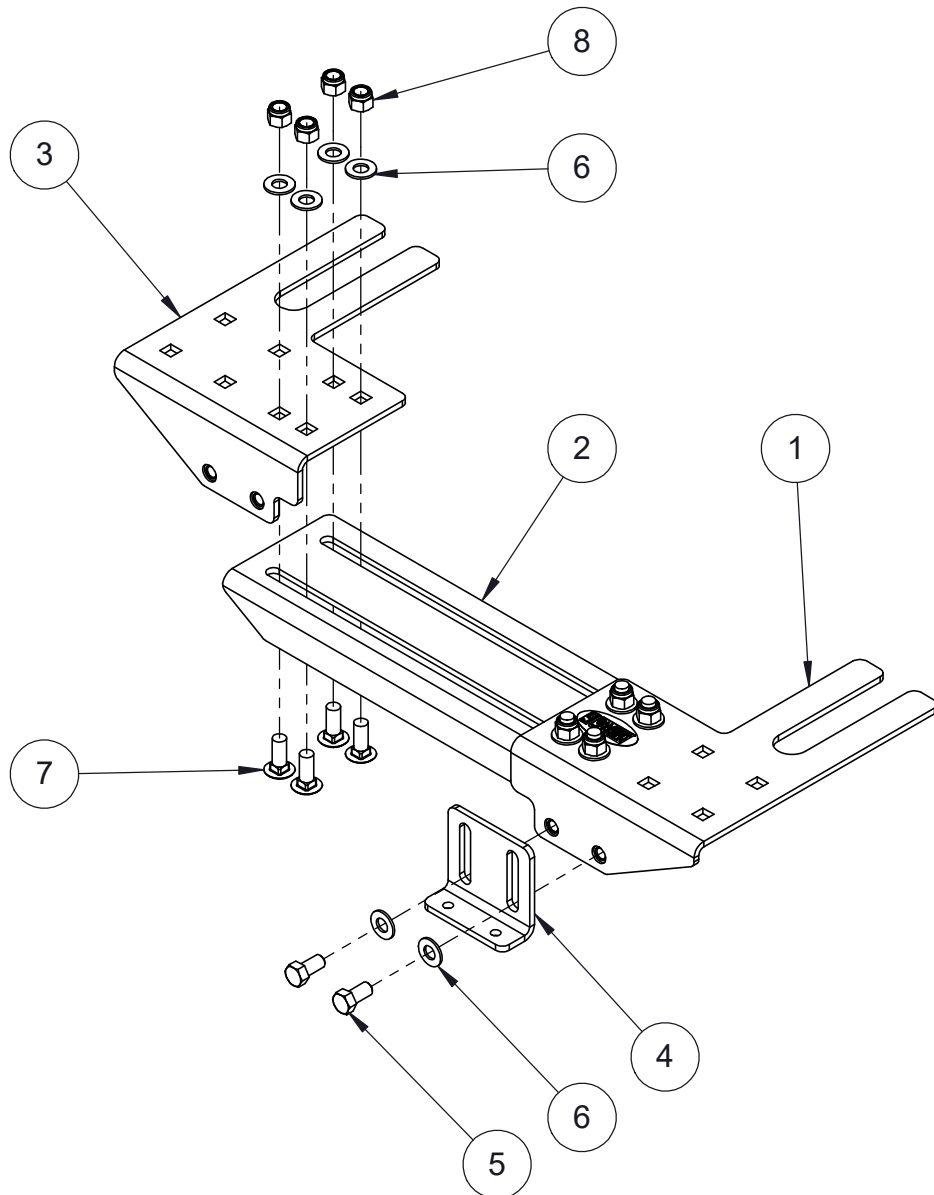
Product Mounting Disclaimer

Gamber-Johnson is not liable under any theory of contract or tort law for any loss, damage, personal injury, special, incidental or consequential damages for personal injury or other damage of any nature arising directly or indirectly as a result of the improper installation or use of its products in vehicle or any other application. In order to safely install and use Gamber-Johnson products full consideration of vehicle occupants, vehicle systems (i.e., the location of fuel lines, brake lines, electrical, drive train or other systems), air-bags and other safety equipment is required. Gamber-Johnson specifically disclaims any responsibility for the improper use or installation of its products not consistent with original vehicle manufactures specifications and recommendations, Gamber-Johnson product instruction sheets, or workmanship standards as endorsed through the Gamber-Johnson Certified Installer Program.

© Copyright 2021 Gamber-Johnson, LLC

If you need assistance or have questions, call Gamber-Johnson at 1-800-456-6868

ITEM	QTY	PartNo	DESCRIPTION
1	1	19901	UNIVERSAL BASE - LEFT SIDE
2	1	19917	UNIVERSAL BASE - CENTER
3	1	19902	UNIVERSAL BASE - RIGHT SIDE
4	1	19905	UNIVERSAL BASE - LEG
5	2	1173-3812	3/8-16 X .75 HHCS FS-014
6	10	13010-0002	3/8 Flat Washer -FS-027
7	8	1163-3816	3/8-16 X 1.0 CARR BOLT FS-014
8	8	1503-3800	.38-16 NUT NYLOK FS-014



Gamber-Johnson Universal Base Vehicle Compatibility Guide

Seat Bolt Orientation - Gamber-Johnson Universal Base can be installed in front of the seat (A) and to the side of the seat (B) if vehicle allows.



Fig. 1

Vehicle Drive Configuration - Gamber-Johnson Universal Base can also be installed in a right hand drive vehicle by mirroring the setup.

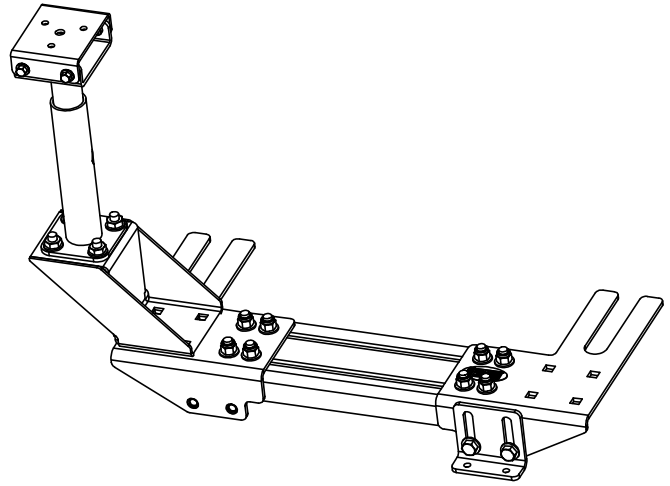
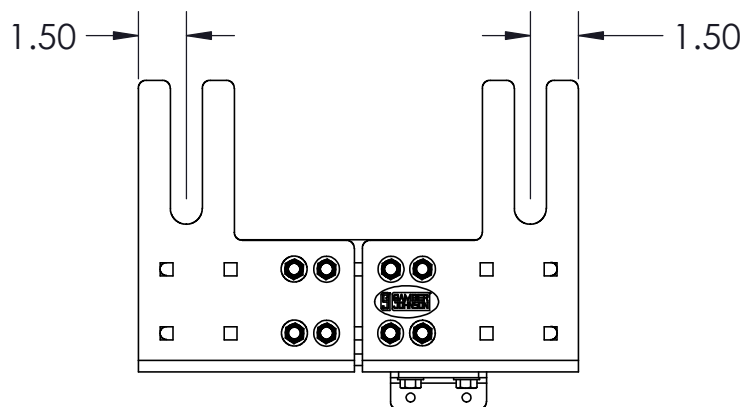


Fig. 2

OEM Center Console Clearance - Distance needed to clear Universal Base is 1.50" from OEM center console to center of seat bolt.

*Gamber-Johnson Universal Base also requires 90°/vertical seat bolts for correct installation and function.

* Base adjustment is from minimum 11.50" to 19.38" maximum



Installation

1. Pre-assembly - Measure center to center distance of seat bolts and adjust base to the same distance.

2. Remove OEM seat bolts, then slide Universal Base in between seat and seat rail frame. Reinstall OEM seat bolts and tighten to OEM spec. (Fig. 4)

*If vehicle has a flat seat rail frame, base can be utilized upside down. (Fig. 5)



Fig. 4

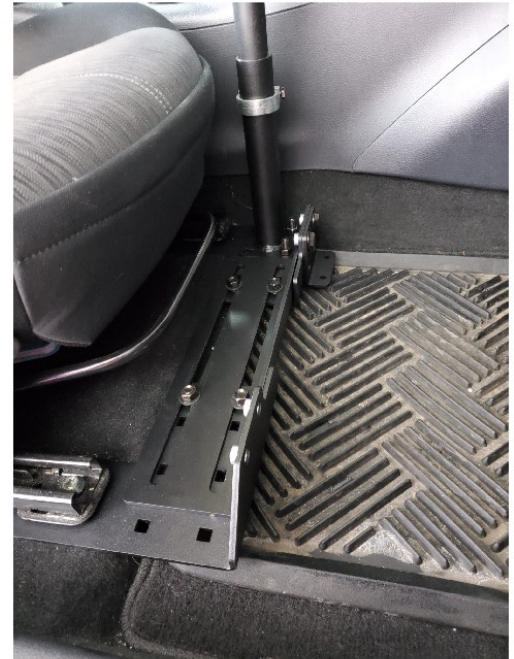


Fig. 5

3. After Universal Base is installed, adjust front support foot as needed. (Fig. 6)



Fig. 6

4. To complete installation of Universal Base, attach lower and upper poles, and motion attachment of your choice. A support brace is recommended for additional stability.

*For vehicles with a right hand drive configuration, installation is the same, however, the support foot and pedestal solution should be mounted on the opposite side of the base.



Fig. 7