

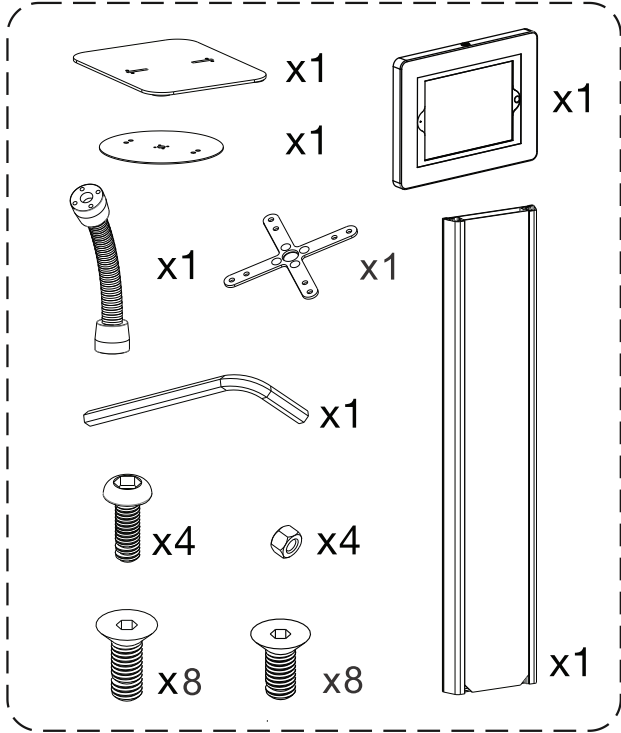


# Premium Floor Stand Workstation with Universal Security Enclosure

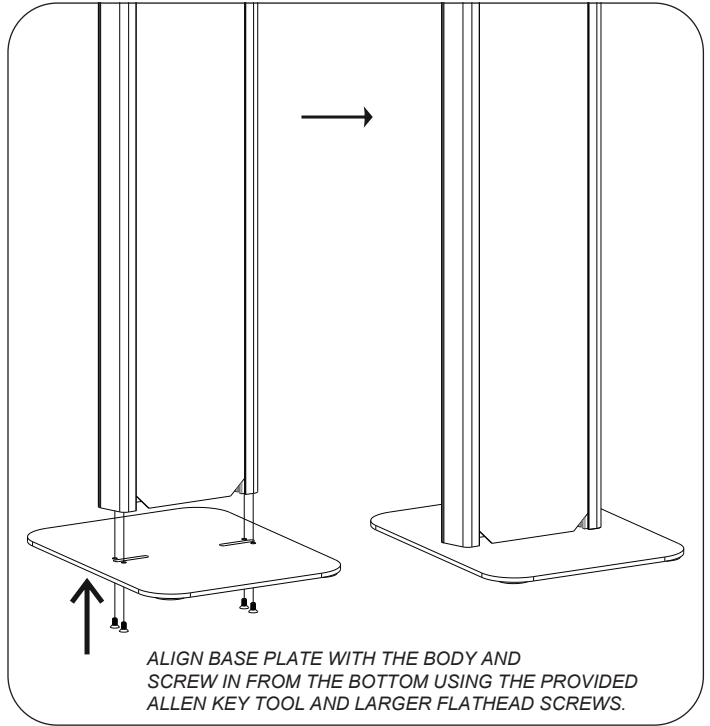
PAD-PARAF1GT

INSTRUCTION - MANUAL

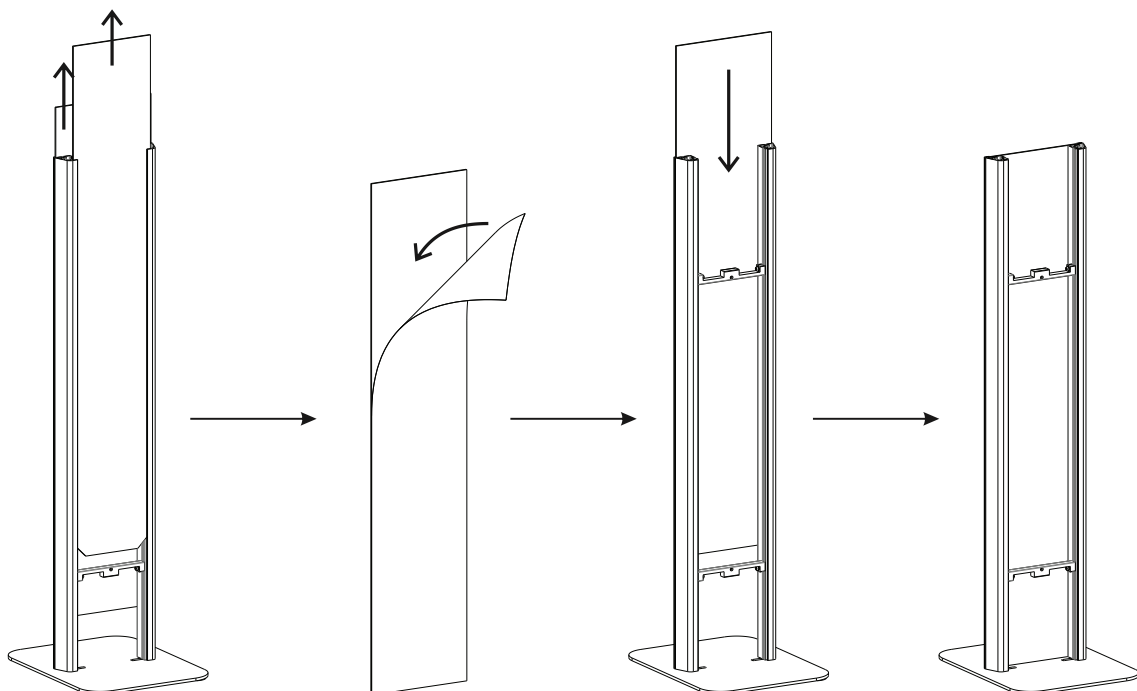
## CONTENTS:



## 1. INSTALLING BASE:

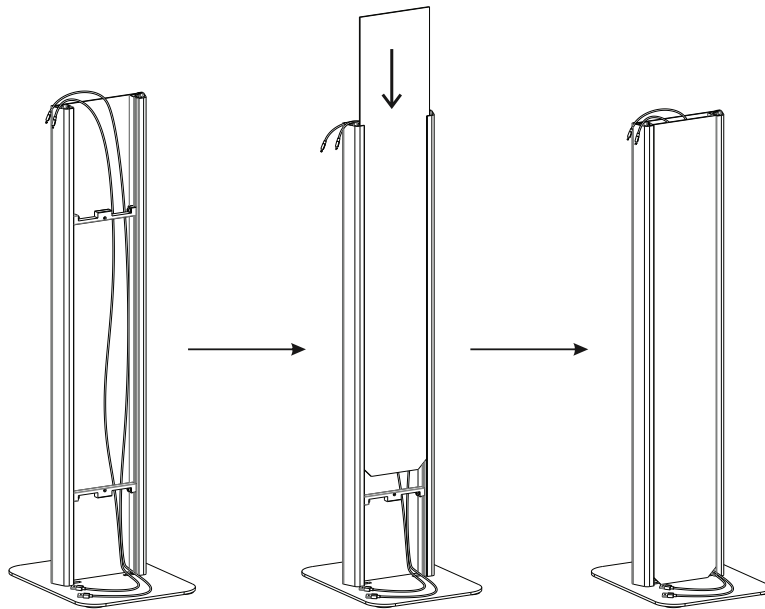


## 2. SETTING UP GRAPHIC CARD SLOT



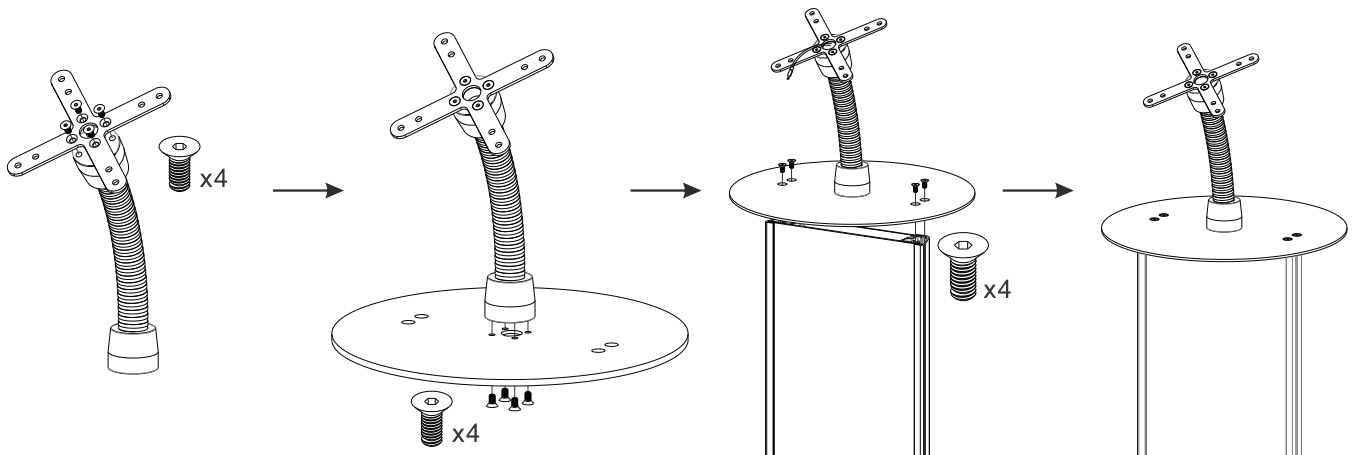
SLIDE OUT THE (2) GRAPHIC CARD PANELS IN THE FRONT AND BACK. IF THERE IS A STICKER FILM, REMOVE THAT FIRST. IF YOU HAVE PRINTED OUT A STICKER GRAPHIC, PLACE IT ONTO THE PANEL. IF YOU ARE USING A COMPLETE NEW PANEL, YOU CAN REPLACE THE INITIAL PANELS THAT CAME WITH THE FLOOR STAND. PLACE ONE PANEL BACK FIRST.

### 3. SETTING UP CABLE ROUTING



WITH ONLY (1) PANEL BACK IN, SLIDE IN THE POWER CORDS AND ANY OTHER CORDS THAT WOULD NEED TO BE CONNECTED TO THE TABLET THROUGH THE BODY AS SHOWN. THERE WILL BE GAPS AT THE TOP AND BOTTOM FOR THEM TO ROUTE OUT TO THE POWER SOURCE AND TO THE DEVICE. SLIDE IN SECOND PANEL WHEN ROUTING IS FINISHED.

### 4. INSTALLING THE TRAY, GOOSENECK & VESA



1. USING THE SMALL FLAT HEAD SCREWS, SCREW IN THE VESA TO THE GOOSENECK WITH THE PROVIDED TOOL

2. SCREW IN THE GOOSENECK BODY TO THE TRAY TABLE AS SHOWN WITH THE SMALLER FLATHEAD SCREWS

3. CABLE ROUTE THE WIRE FROM THE STAND THROUGH THE GOOSENECK AND OUT THE VESA. THEN SCREW IN THE TRAY TO THE STAND WITH THE REMAINING LARGER FLATHEAD SCREWS.

### 5. INSTALLING THE ENCLOSURE

WHILE HOLDING THE HEX NUT FROM BEHIND THE X-VESA PLATE, SCREW IN THE SCREWS FROM THE FRONT OF THE ENCLOSURE THROUGH THE ENCLOSURE AND VESA INTO THE HEX NUT WITH THE PROVIDED TOOL UNTIL SECURELY TIGHTENED.

