

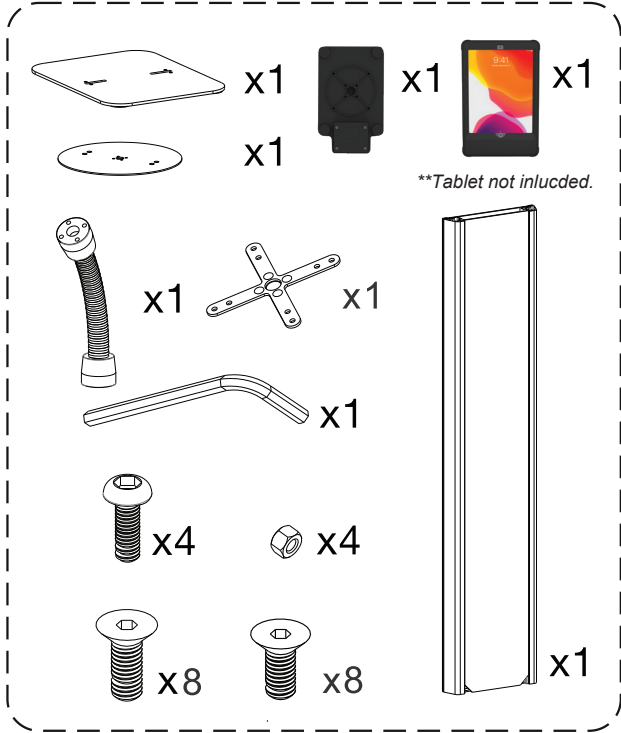


Floor Stand Workstation with Inductive Charging Case

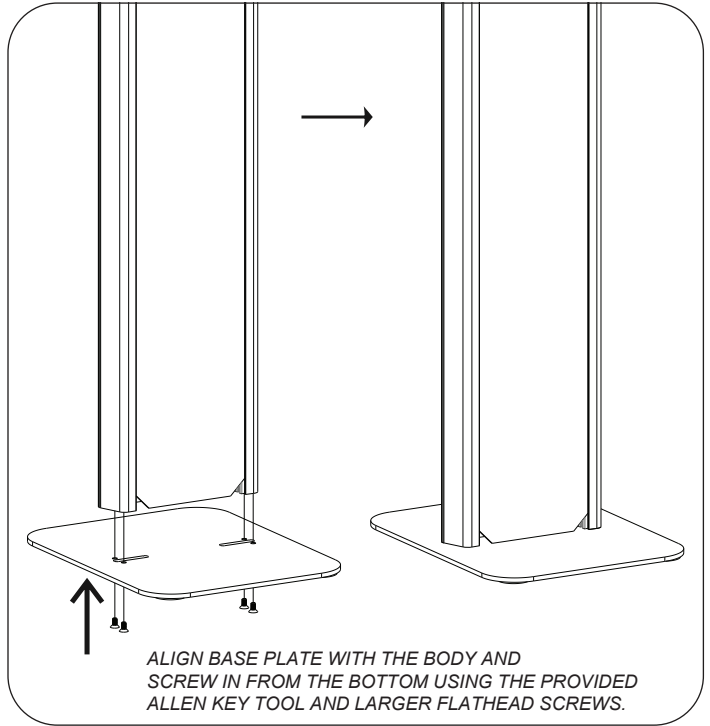
PAD-PF1ICC

INSTRUCTION - MANUAL

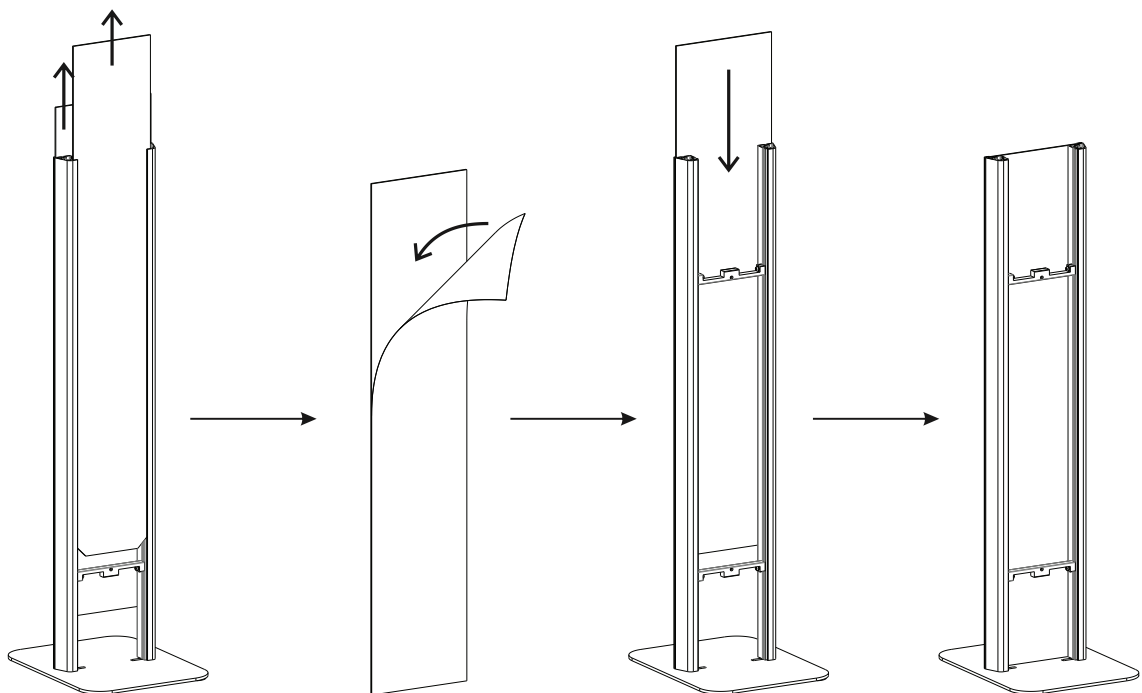
CONTENTS:



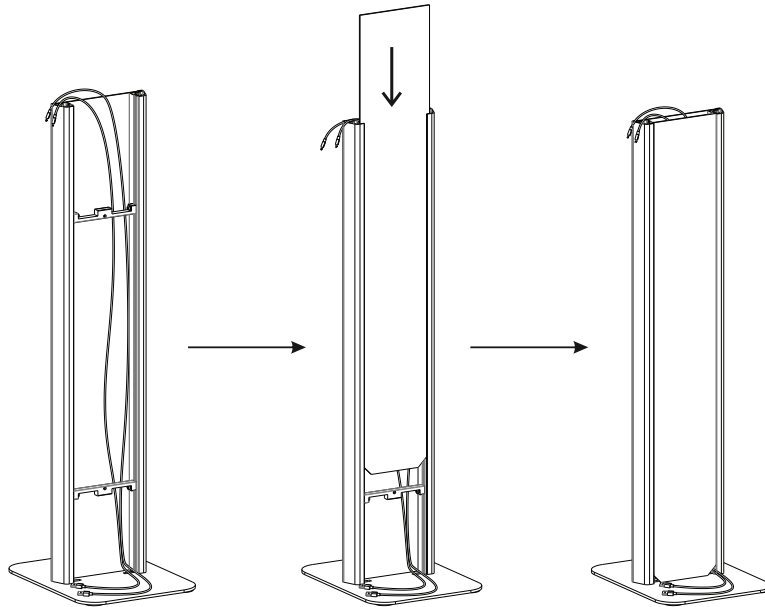
1. INSTALLING BASE:



2. SETTING UP GRAPHIC CARD SLOT

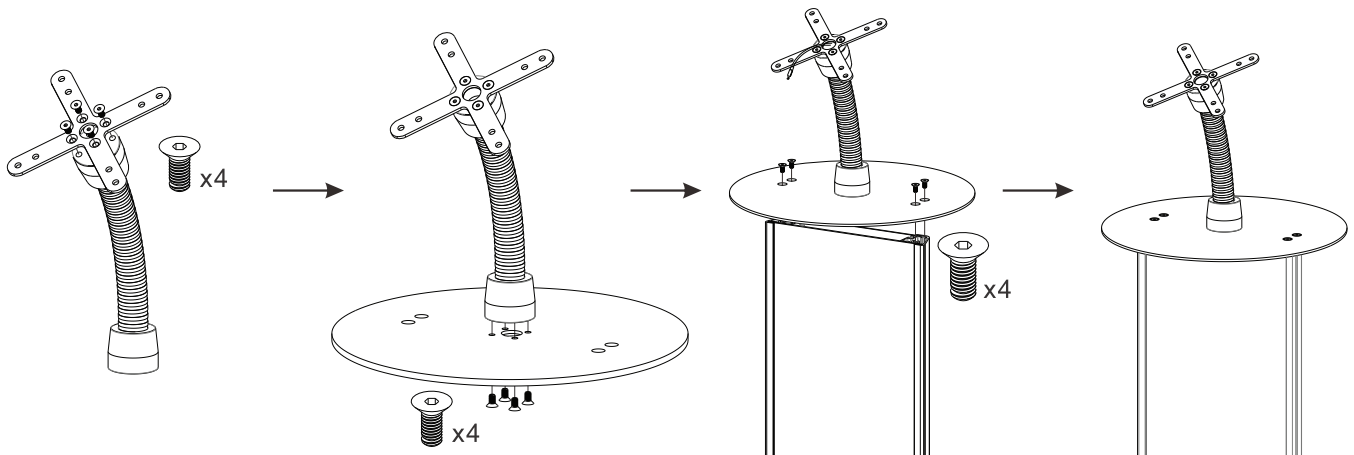


3. SETTING UP CABLE ROUTING



WITH ONLY (1) PANEL BACK IN, SLIDE IN THE POWER CORDS AND ANY OTHER CORDS THAT WOULD NEED TO BE CONNECTED TO THE TABLET THROUGH THE BODY AS SHOWN. THERE WILL BE GAPS AT THE TOP AND BOTTOM FOR THEM TO ROUTE OUT TO THE POWER SOURCE AND TO THE DEVICE. SLIDE IN SECOND PANEL WHEN ROUTING IS FINISHED.

4. INSTALLING THE TRAY, GOOSENECK & VESA



1. USING THE SMALL FLAT HEAD SCREWS, SCREW IN THE VESA TO THE GOOSENECK WITH THE PROVIDED TOOL

2. SCREW IN THE GOOSENECK BODY TO THE TRAY TABLE AS SHOWN WITH THE SMALLER FLATHEAD SCREWS

3. CABLE ROUTE THE WIRE FROM THE STAND THROUGH THE GOOSENECK AND OUT THE VESA. THEN SCREW IN THE TRAY TO THE STAND WITH THE REMAINING LARGER FLATHEAD SCREWS.

5. INSTALLING THE VESA TO DOCK

WHILE HOLDING THE HEX NUT FROM BEHIND THE X-VESA PLATE, SCREW IN THE SCREWS FROM THE FRONT OF THE DOCK WITH THE PROVIDED TOOL UNTIL SECURELY TIGHTENED.

