

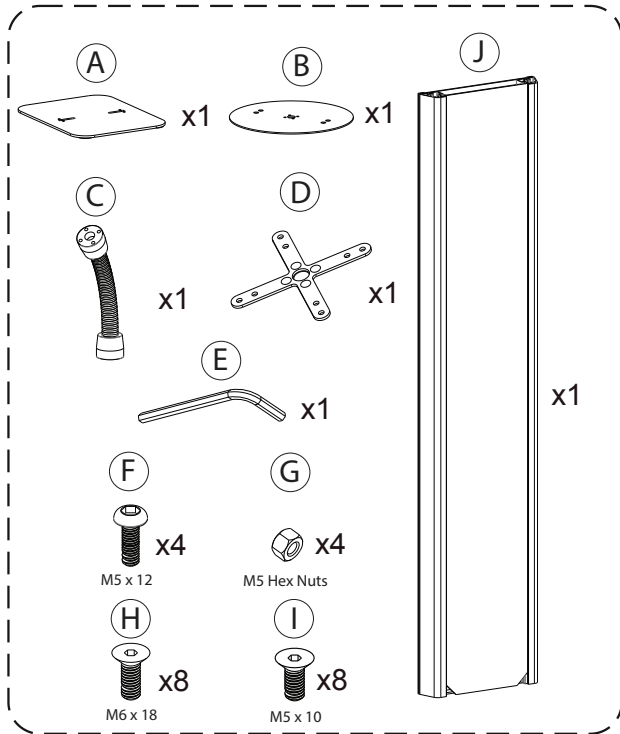


VESA Compatible Graphic Floor Stand Workstation

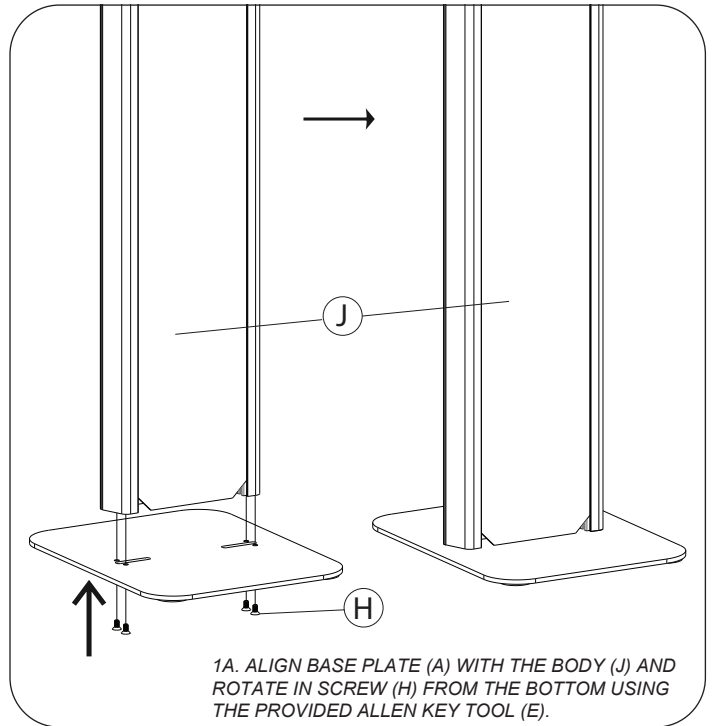
ADD-PARAF1V

INSTRUCTION - MANUAL

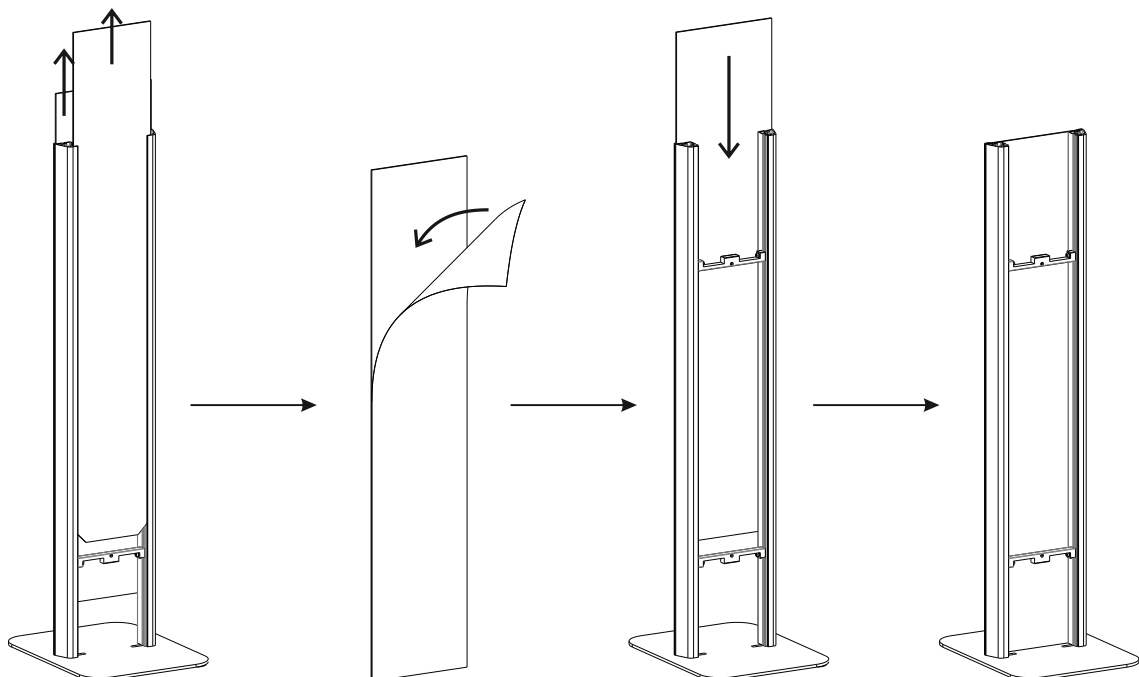
CONTENTS:



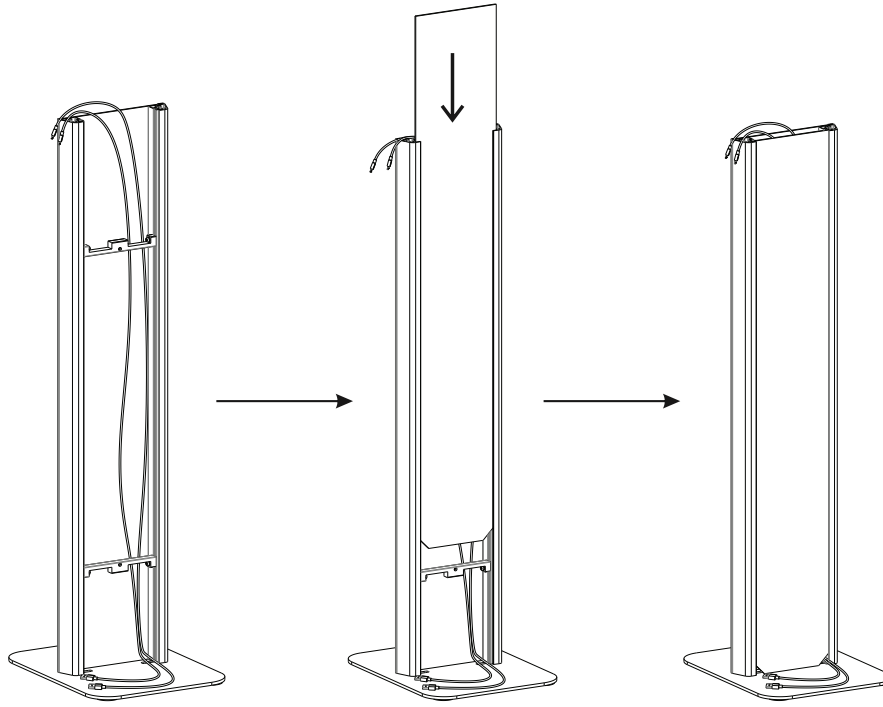
1. INSTALLING BASE:



2. SETTING UP GRAPHIC CARD SLOT

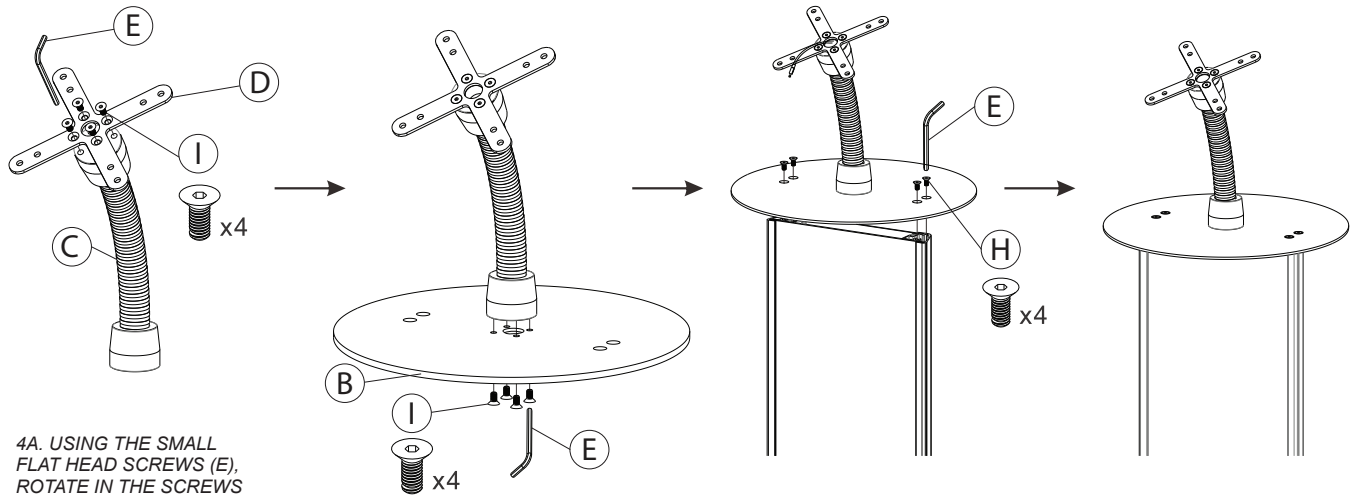


3. SETTING UP CABLE ROUTING



3A. WITH ONLY (1) PANEL BACK IN, SLIDE IN THE POWER CORDS AND ANY OTHER CORDS THAT WOULD NEED TO BE CONNECTED TO THE TABLET THROUGH THE BODY AS SHOWN. THERE WILL BE GAPS AT THE TOP AND BOTTOM FOR THEM TO ROUTE OUT TO THE POWER SOURCE AND TO THE DEVICE. SLIDE IN SECOND PANEL WHEN ROUTING IS FINISHED.

4. INSTALLING THE TRAY, GOOSENECK & VESA



4A. USING THE SMALL FLAT HEAD SCREWS (E), ROTATE IN THE SCREWS TO THE VESA (D) WITH THE PROVIDED TOOL (E) UNTIL SECURELY FASTENED.

4B. ROTATE IN THE ATTACHED GOOSENECK WITH THE VESA (D+C) TO THE TRAY TABLE (B) AS SHOWN WITH THE SMALLER FLAT HEAD SCREWS (I) WITH PROVIDED TOOL (E)

4C. BEFORE ATTACHING TRAY TABLE COMPONENT, TAKE THE CABLE THAT'S ALREADY BEEN FISHED THROUGH KIOSK BODY AND FISH IT THROUGH THE GOOSENECK AND OUT THE VESA HOLE AS ILLUSTRATED ABOVE.

ALIGN THE TRAY HOLES TO THE KIOSK TOP, ROTATE IN SCREWS (H) INTO THE TRAY THEN INTO THE STAND WITH PROVIDED TOOL (E) UNTIL SECURE FASTENED.