

INSTRUCTION BOOK FOR
Da-Snap Wrap Around Screen



Disclaimer

Milestone and its affiliated corporations and subsidiaries (collectively "Milestone"), intend to make this manual accurate and complete. However, Milestone makes no claim that the information contained herein covers all details, conditions or variations, nor does it provide for every possible contingency in connection with the installation or use of this subject to change without notice or obligation of any kind. Milestone makes no representation of warranty, expressed or implied, regarding the information contained herein. Milestone assumes no responsibility for accuracy, completeness or sufficiency of the information contained in this document.

Da-Lite® is a registered trademark of Milestone AV Technologies. All rights reserved.

Important Safety Instructions

When using your video equipment, basic safety precautions should always be followed, including the following:

1. Read and understand all instructions before using.
2. Failure to provide adequate structural strength for this component can result in serious personal injury or damage to equipment! It is the installer's responsibility to make sure the structure to which this component is attached can support the weight of all equipment. Reinforce the structure as required before installing the component.
3. Use this projection screen only for its intended use as described in these instructions. Do not use attachments not recommended by the manufacturer.

Save These Instructions

Included Hardware



Large Wall Bracket (47" Long)
Installation screws not included

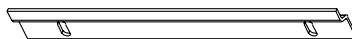
Quantities vary by screen size:

Screens 80" and smaller viewing width = 1

Screens over 80" to 96" viewing width = 2

Screens over 96" viewing width = 3

Quantity Included _____



Small Wall Bracket (8" Long)
Installation screws not included

Quantity = 1. Only for screens 80" and smaller viewing width.

Quantity Included _____



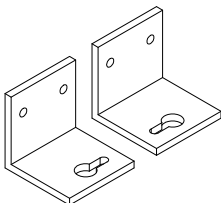
Snap Stud

Quantity Included _____



#10 Screw

Quantity Included _____

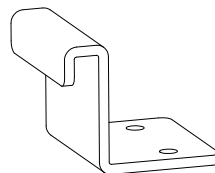


Side Frame Bracket (Left and Right)

Screens 90" and larger in viewing height = 2

Screens with 2-piece side frame rails quantity = 2

Quantity Included _____



Frame Bracket

Quantities vary by screen size

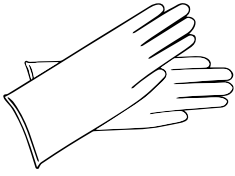
Screens 80" and smaller viewing width = 3

Screens over 80" to 96" viewing width = 4

Screens over 96" viewing width = 6

Quantity Included _____

Included Hardware (continued)



White Gloves for Fabric Handling

Quantity = 2 pair

Use Installation Method Number _____

Frame Assembly

1. Unpack the frame parts from the carton. DO NOT unroll the screen surface at this time.
2. Slide the frame pieces together at corners. (**NOTE:** Frame assembly holes may not appear to fit properly at the corners until all fasteners have been attached. Once fasteners are attached, the frame corners will be drawn in for a proper fit.) Secure frame pieces with #10 screws provided. Do not tighten screws until all are started, then tighten. See Figure 1.

NOTE: The frame pieces are labeled "top" and "bottom". Be sure the frame pieces are assembled according to the labels. This will ensure the snap pattern on the frame and screen surface will match.

Installation

There are four methods of installation based on the size of the screen and type of viewing surface. Measure the width of the viewing area of your screen and refer to the appropriate method of installation below. The wall bracket diagram shows the type and quantity of bracket that is supplied based on the size of the screen.

Method 1: Screens 80" and smaller in viewing width.

Method 2: Screens over 80" up to 96" in viewing width.

Method 3: Screens over 96" in viewing width.

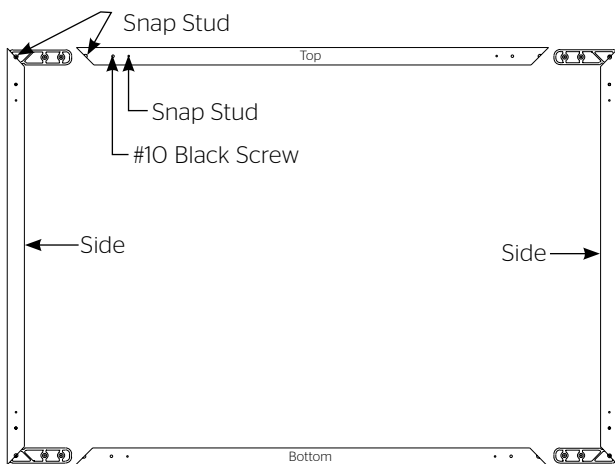


Figure 1. Rear View

Method 1 for Screens with a Viewing Width of 80" and Smaller

1. Use the supplied #10 screws to attach three frame brackets to the back of the frame as shown in Figure 2.

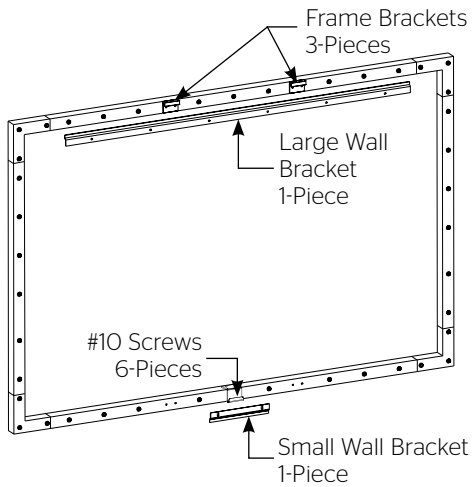


Figure 2

2. Secure the large wall bracket to wall studs at the desired height. Make sure the bracket is level. The top of the frame will be $1/8"$ above the top of the wall bracket when mounted. You will need at least $5/8"$ clearance above the bracket to hang the screen.
3. To install the small wall bracket, you must measure the overall height of the screen frame and subtract $1-3/8"$. Using that dimension, measure down from the top edge of the large wall bracket and mark the wall for two screw holes. The holes should be centered within the frame and $6"$ apart. Refer to Figure 3.

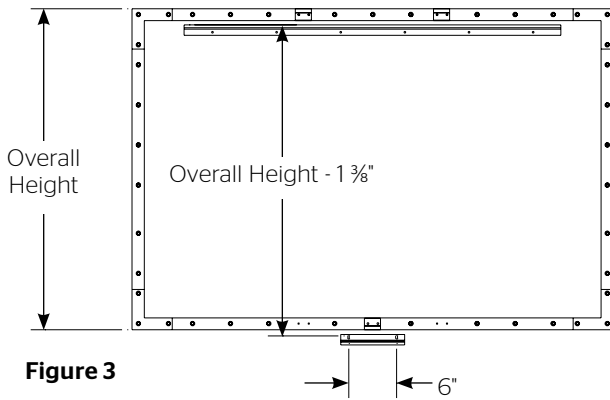


Figure 3

4. Attach the small wall bracket to the wall. Refer to Figure 4 for proper orientation. Do not tighten the screws completely. The bracket should slide up and down easily.

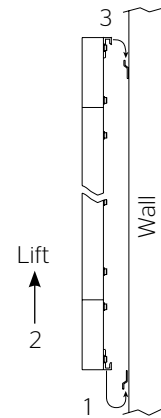


Figure 4

NOTE: Use provided gloves for steps 5 and 6.

5. Attach surface to screen using instructions on page 6.
6. After the surface is attached, hang the screen on the brackets by hooking the bottom of the frame onto the small wall bracket and lift up until you can hook the top of the frame on the top bracket. Gently push down on the frame to seat it on the brackets. Refer to Figure 4.

NOTE: Pushing down too hard on the frame to seat brackets may cause damage to the screen surface.

Method 2 for Screens with a Viewing Width of 80" to 96"

1. Use the supplied #10 screws to attach four frame brackets to the back of the frame as shown in Figure 5.

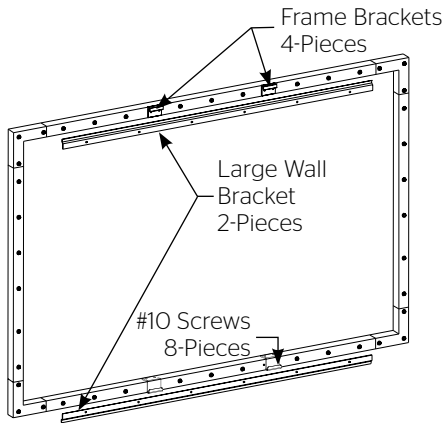


Figure 5

2. Secure the wall bracket to wall studs at the desired height. Make sure the bracket is level. The top of the frame will be 1/8" above the top of the wall bracket when mounted. You will need at least 5/8" clearance above the bracket to hang the screen.
3. To install the lower wall bracket, you must measure the overall height of the screen frame and subtract 1/4". This is the dimension from the top of the upper wall bracket to the bottom of the lower wall bracket. See Figure 6.

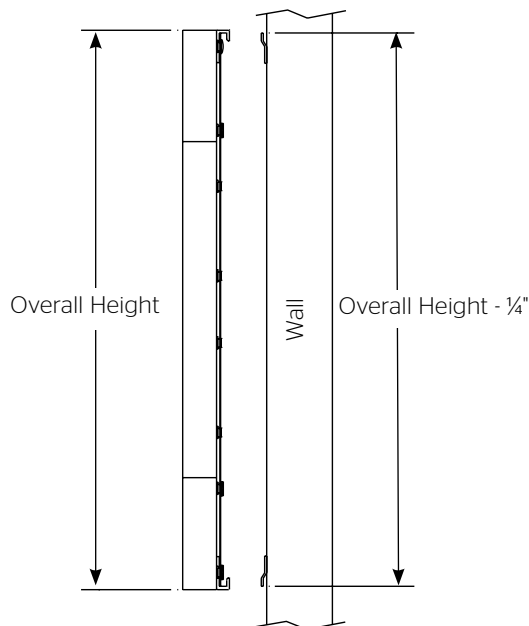


Figure 6

4. Attach surface to screen using instructions on page 6.

NOTE: Use provided gloves for steps 5 and 6.

5. Position the screen with the attached surface onto the top wall bracket as shown in Figure 7. Gently push down at the center of the bottom frame rail to hook onto the lower wall bracket.

NOTE: Pushing down too hard on the frame to seat brackets may cause damage to the screen surface.

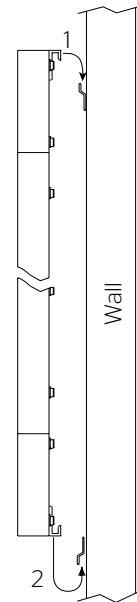


Figure 7

Method 3 for Screens with a Viewing Width over 96"

1. Use the supplied #10 screws to attach six frame brackets to the back of the frame as shown in Figure 8.
2. Secure the wall brackets to wall studs at the desired height. Make sure the brackets are level. The top of the frame will be 1/8" above the top of the wall bracket when mounted. You will need at least 5/8" clearance above the bracket to hang the screen.
3. To install the lower wall bracket, you must measure the overall height of the screen frame and subtract 1/4". This is the dimension from the top of the upper wall bracket to the bottom of the lower wall bracket. See Figure 6.
4. For screen 90" high viewable and over and larger screens with 2-piece side frame rails you will need to attach one side frame bracket to each side frame rail. Use the black #10 screws supplied. See Figure 8.

NOTE: Use provided gloves for steps 5 and 6.

5. Attach surface to screen using instructions on page 6.
6. Position the screen with the attached surface onto the top wall bracket as shown in Figure 7. Gently push down at the center of the bottom frame rail to hook onto the lower wall bracket.

NOTE: Pushing down too hard on the frame to seat brackets may cause damage to the screen surface.

7. If you attached brackets to the side frame rails in step 4, anchor these to the wall with an appropriate fastener for your type of wall.

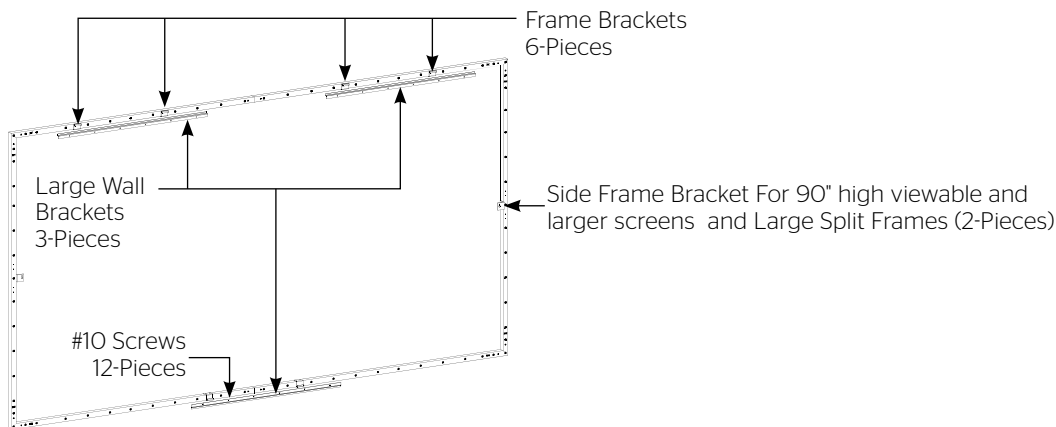


Figure 8

Assembling Fabric to Frame

1. Drape top of fabric over the Da-Snap frame. It will wrap around over the top of the frame.

2. Start the top by snapping the double corner snaps on first. These are located at the ends of the fabric.

3. Begin snapping the fabric across the top of the frame.

NOTE: When snapping near the hanging brackets the binding will need to be tucked in between the frame and the bracket.

4. Stretch the fabric across the frame and wraparound the bottom of the frame.

5. Start the bottom by snapping the double corner snaps on first. These are located at the ends of the fabric.

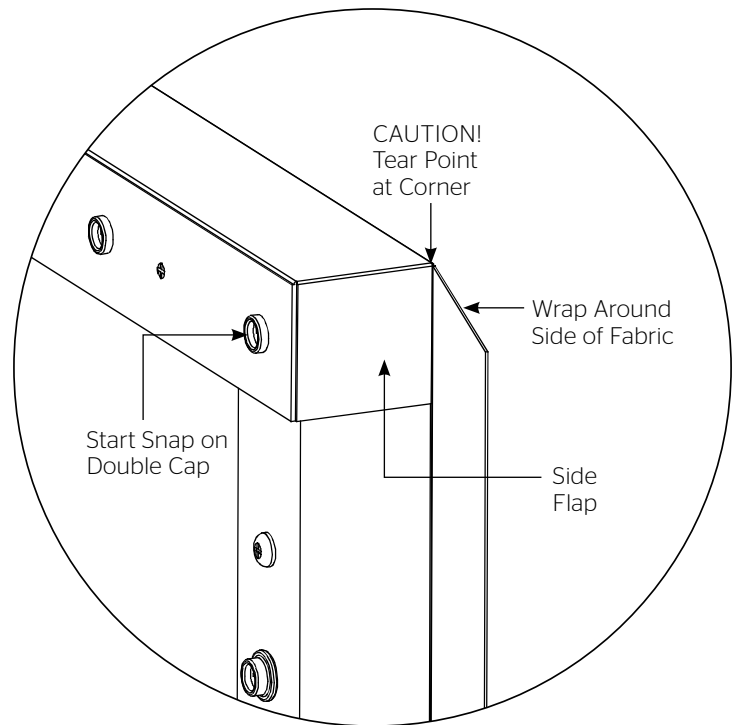
6. Begin snapping the fabric across the bottom of the frame.

NOTE: When snapping near the hanging brackets the binding will need to be tucked in between the frame and the bracket.

7. Start wrapping one of the sides around the frame. Make sure to tuck in the top and bottom corner flaps and then wrap the material around to capture the corner flaps. Snap on top & bottom corner to double snap.

8. Repeat step 7 for other side of frame.

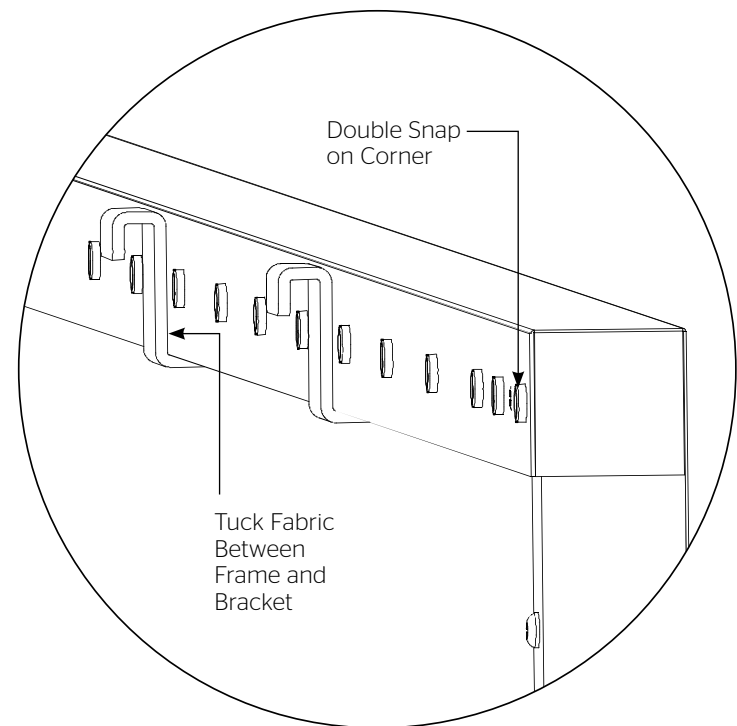
9. Return to install instructions.



Cleaning

All surfaces can be cleaned as follows: Using a white clean cloth (100% cotton preferred) that is dampened with clear water, gently wipe the area in one direction. Do not use a circular motion. Using a dry 100% cotton cloth, wipe dry after each cleaning session.

To clean a stubborn stain or a sticky surface, all surfaces except High Power® and Silver Lite 2.5 can be cleaned using denatured alcohol (methanol or methyl alcohol) following the same procedure as for water.



Conditions for Transportation and Storage

- Temperature: Between 40 - 100°F (5 - 40°C)
- Relative Humidity: 30% to 70%, non-condensing
- Always keep the projection screen horizontal during transport and storage
- Make sure the entire package is supported when stored
- Do not stack more than six projection screens on top of each other
- Make sure the heaviest package is placed at the bottom of the stack

LIMITED FIVE YEAR WARRANTY ON DA-LITE PRESENTATION PRODUCTS

Milestone AV Technologies LLC warrants certain Da-Lite branded products to the original purchaser only, to be free from defects in materials and workmanship for a period of five (5) years from the date of purchase by the original purchaser; provided they are properly operated according to Da-Lite's instructions and are not damaged due to improper handling or treatment after shipment from the factory.

This warranty does not apply to equipment showing evidence of misuse, abuse or accidental damage, or which has been tampered with or repaired by a person other than authorized Da-Lite personnel.

Da-Lite's sole obligation under this warranty shall be to repair or to replace (at Da-Lite's option) the defective part of the merchandise. Returns for service should be made to your Da-Lite dealer. If it is necessary for the dealer to return the screen or part to Da-Lite, transportation expenses to and from Da-Lite are payable by the purchaser and Da-Lite is not responsible for damage in shipment. To protect yourself against damage or loss in transit, insure the product and prepay all transportation expenses.

TO THE MAXIMUM EXTENT PERMITTED BY APPLICABLE LAW, THIS WARRANTY IS IN LIEU OF ALL OTHER WARRANTIES, EXPRESS OR IMPLIED, INCLUDING WARRANTIES AS TO FITNESS FOR USE AND MERCHANTABILITY. Any implied warranties of fitness for use, or merchantability, that may be mandated by statute or rule of law are limited to the five (5) year warranty period. This warranty gives you specific legal rights, and you may also have other rights, which vary from state-to-state. **TO THE MAXIMUM EXTENT PERMITTED BY APPLICABLE LAW, NO LIABILITY IS ASSUMED FOR EXPENSES OR DAMAGES RESULTING FROM INTERRUPTION IN OPERATION OF EQUIPMENT, OR FOR INCIDENTAL, DIRECT, OR CONSEQUENTIAL DAMAGES OF ANY NATURE.**

In the event that there is a defect in materials or workmanship of a Da-Lite product, you may contact our Customer Care Specialists at 3100 North Detroit Street, Warsaw, IN 46582, (574) 267-8101, (800) 622-3737.

IMPORTANT: THIS WARRANTY SHALL NOT BE VALID AND DA-LITE BRANDED PRODUCTS SHALL NOT BE BOUND BY THIS WARRANTY IF THE PRODUCT IS NOT OPERATED IN ACCORDANCE WITH THE DA-LITE WRITTEN INSTRUCTIONS.

Keep your sales receipt to prove the date of purchase and your original ownership.



FOR YOUR IMAGE | legrandav.com

USA P 866.977.3901 E info@da-lite.com
CANADA P 877.345.4329 E canadainfo@milestone.com
EMEA P +31 495 580 840 E emea.sales@milestone.com
APAC P +852 2145 4099 E asia.da-lite@milestone.com

In British Columbia, Milestone AV Technologies ULC carries on business as MAVT Milestone AV Technologies ULC.
©2018 Milestone AV Technologies. DL-414 (Rev. 3) 9/18 Da-Lite is a registered trademark of Milestone AV Technologies. All other brand names or marks are used for identification purposes and are trademarks of their respective owners. All patents are protected under existing designations. Other patents pending.