

# Algo Communication Products Ltd.

Device User Guide

# 81X8T2X2 Installation Guide

The 81X8T2X2 Ceiling Speaker T-Bar 2'x2' Panel is a stronger, more durable alternative to a standard drop-ceiling tile. A pre-cut hole is applicable for any [Algo 81X8 ceiling speaker](#) for easy installation.

## Warning

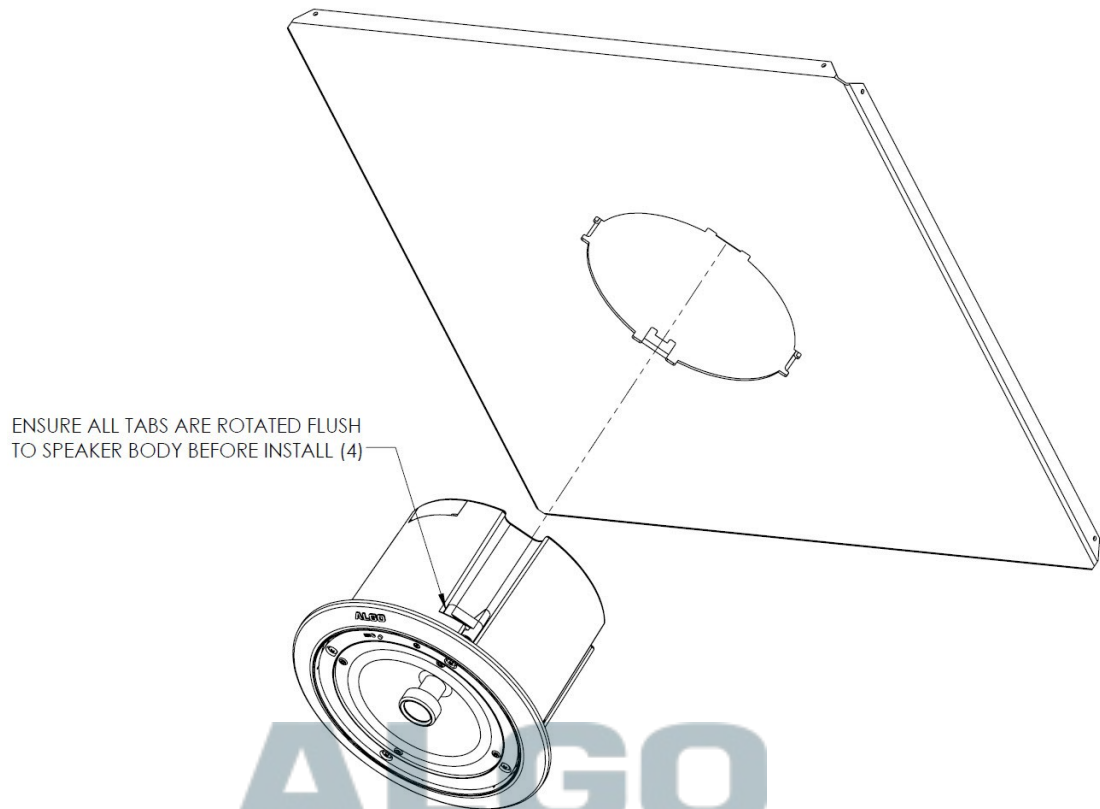
An improperly installed 81X8T2X2 Ceiling Speaker T-Bar 2'x2' Panel and Algo 81X8 speaker could fall from the ceiling and cause serious injury or death. The four screw mounting clamps will adequately support the speaker. A ¼-20 threaded insert nut on top of the speaker housing can accept an eye-bolt (not supplied) for chain or cable support and additional safety.

Local building codes may require one or more additional safety measures, particularly in earthquake prone regions.

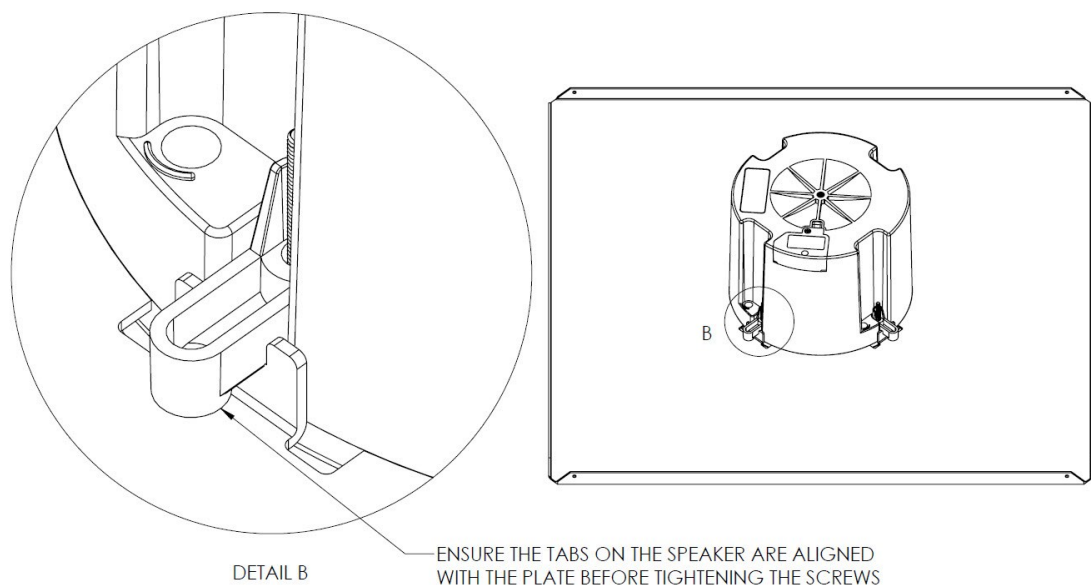
# ALGO

To install an Algo speaker with the 81X8T2X2 Ceiling Speaker T-Bar 2'x2' Panel:

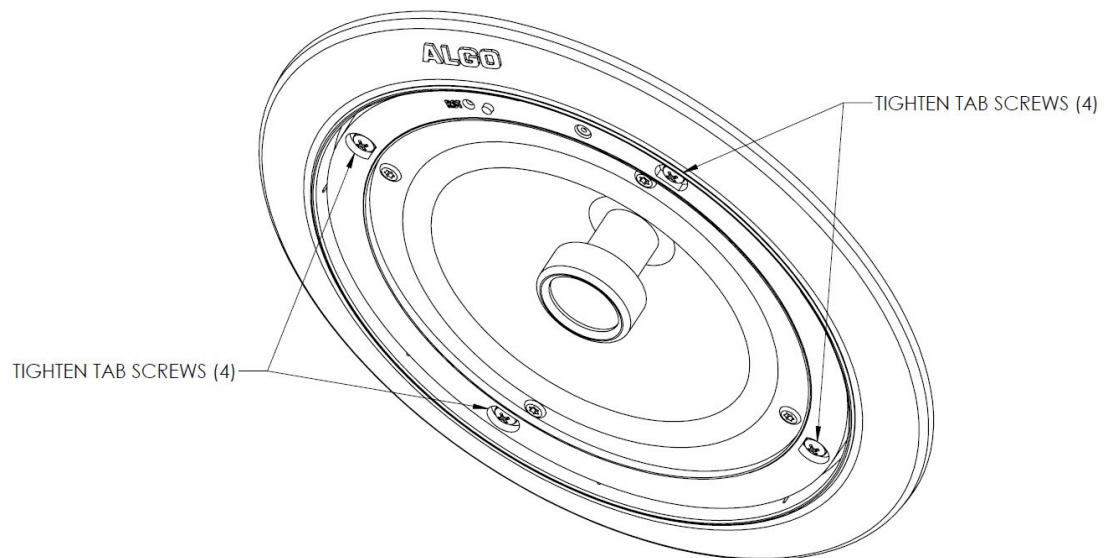
1. Fit the Algo speaker into the pre-cut hole of the 81X8T2X2 panel. The tabs/clamps on the side of the speaker must be rotated to be flush to the speaker to fit through the panel. No additional support bracket is needed for this installation.



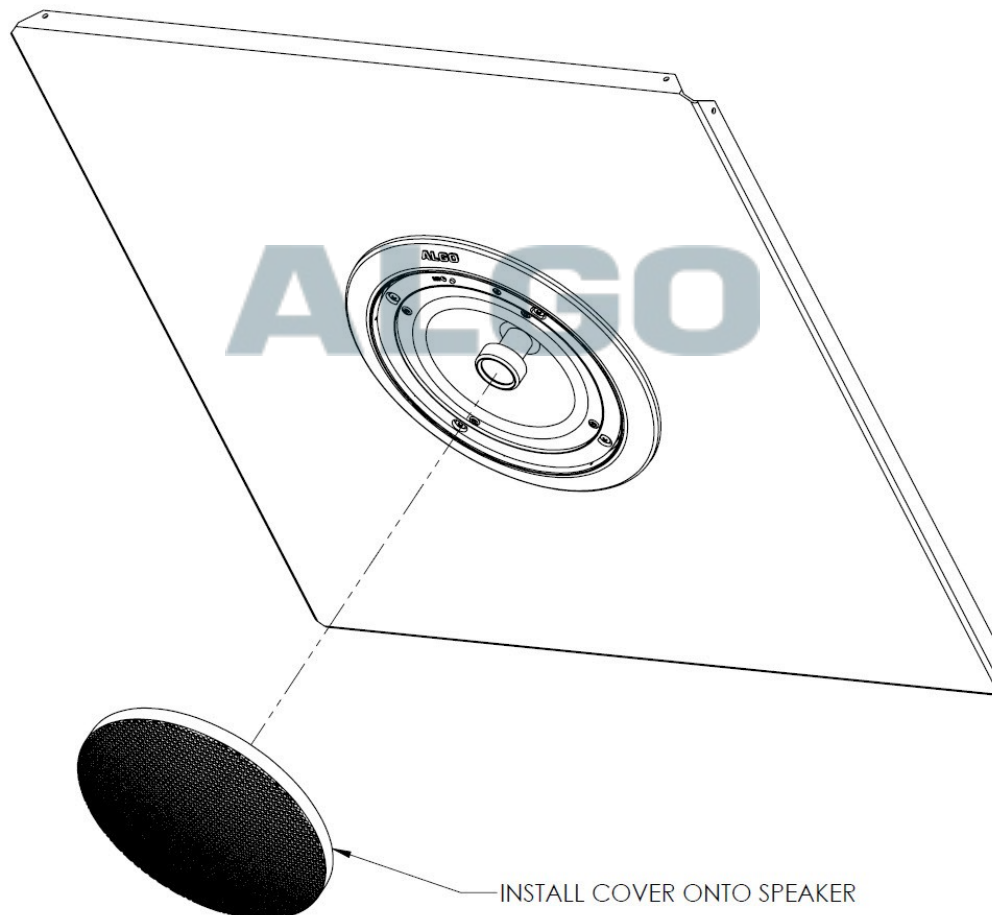
2. On the inner side of the panel, rotate the speaker tabs/clamps to align with the plate before tightening the screws on the front of the speaker. The tabs/clamps should be rotated to point away from the center of the speaker.



3. Tighten the screws on the front of the speaker.



4. Install the speaker cover/grille on the front of the speaker.



5. Once the speaker is secured in the panel, install the panel back into the drop ceiling grid. Ensure it is firmly in place and the speaker is stable.