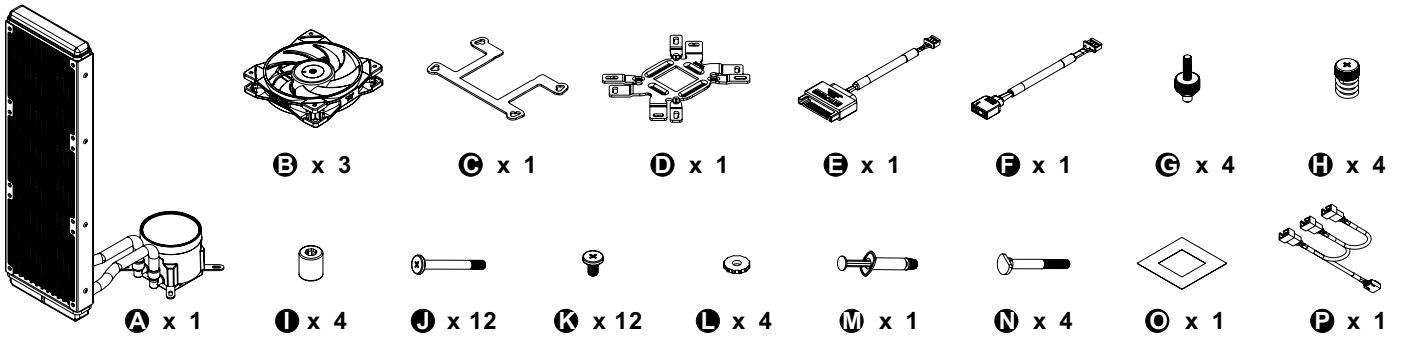
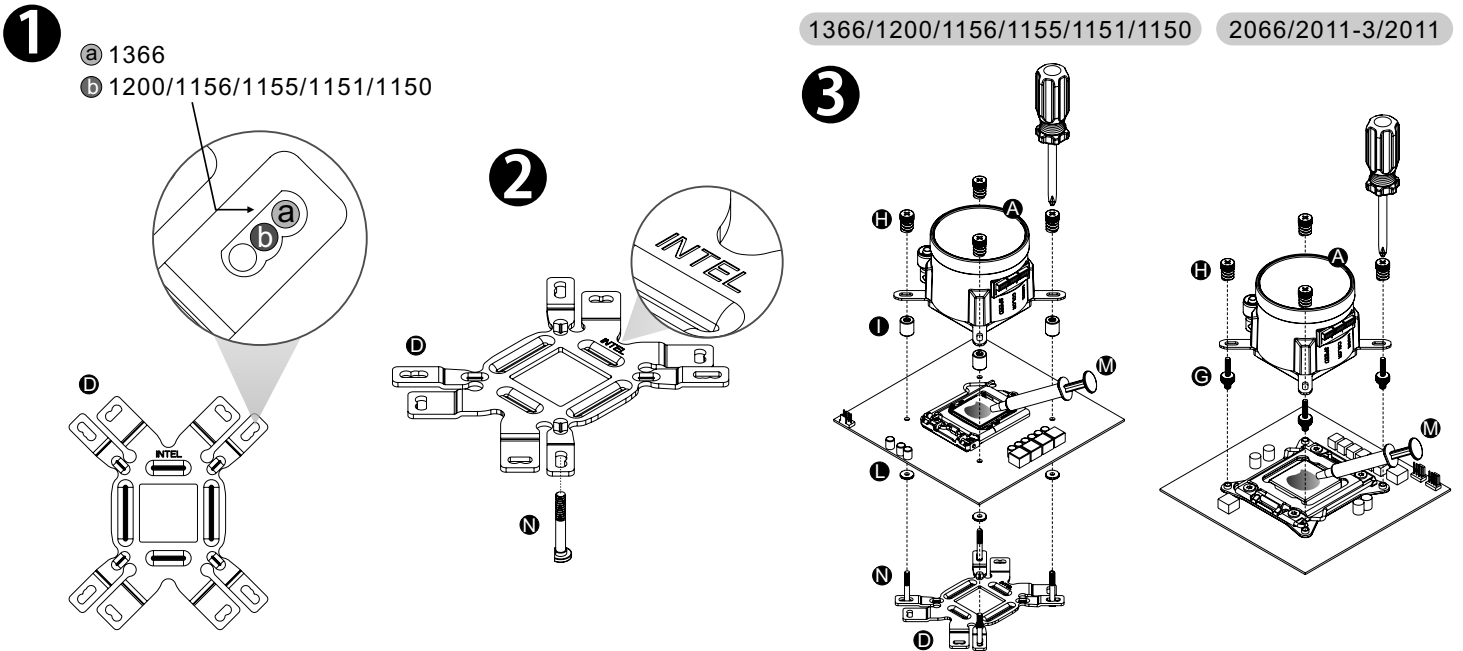


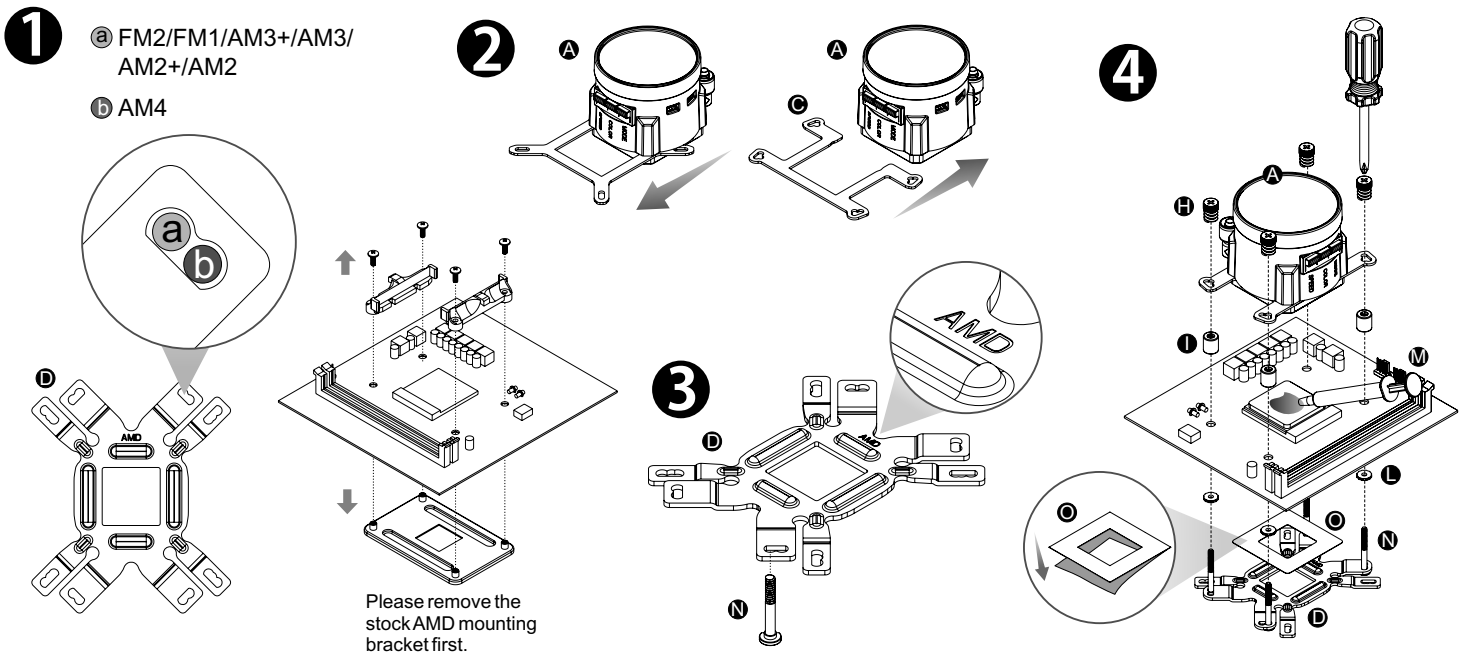
Parts List



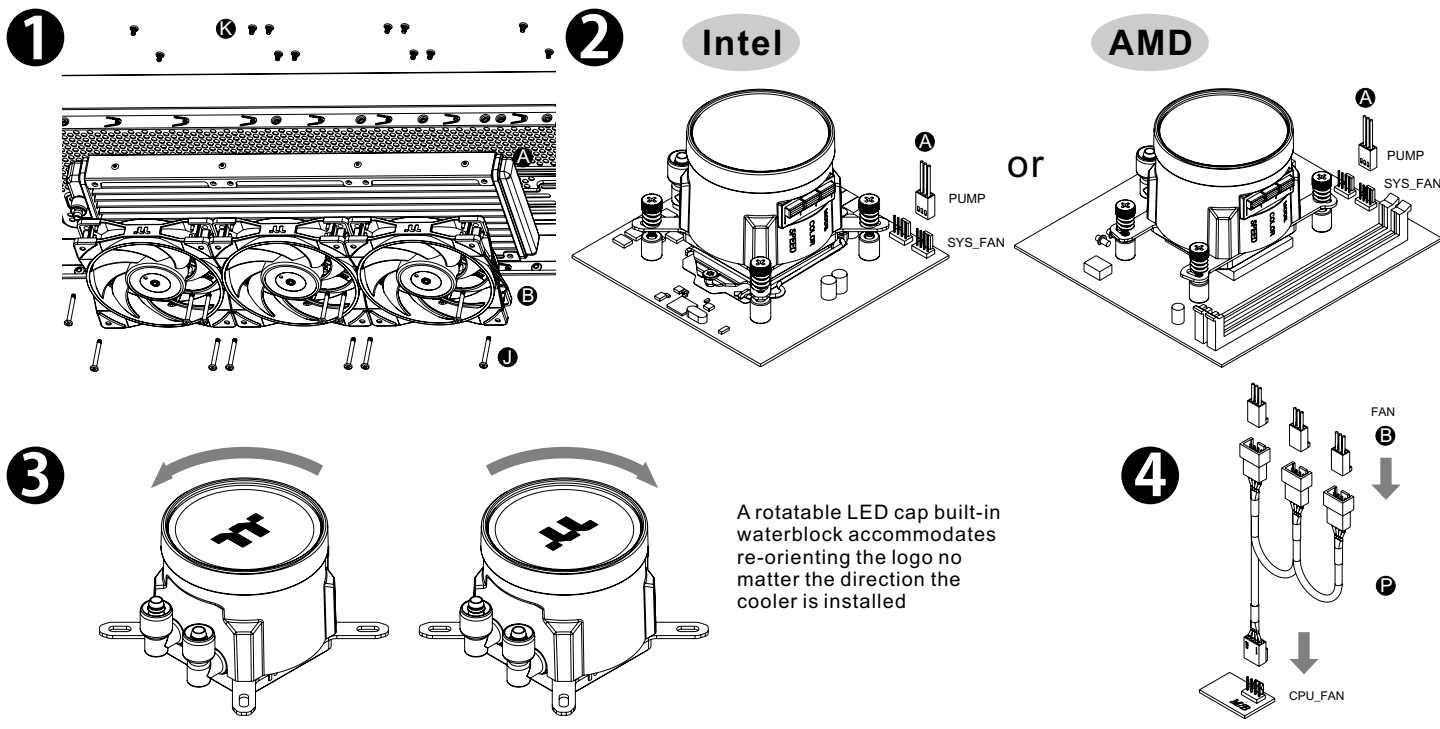
Intel Installation Guide



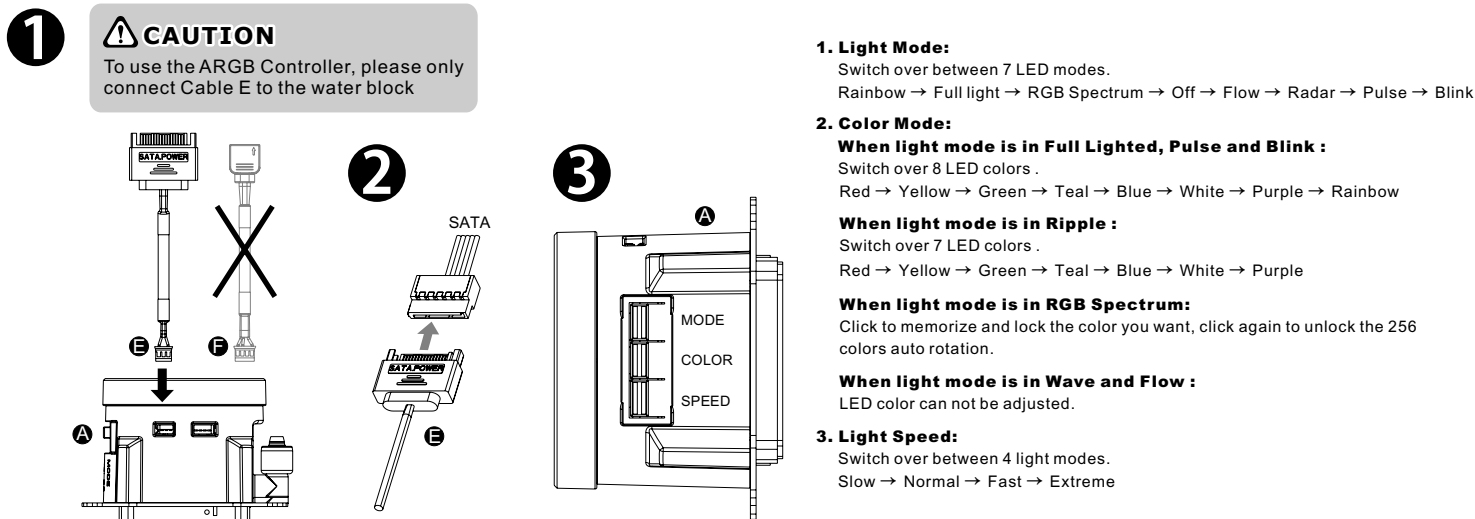
AMD Installation Guide



Installation Guide



ARGB Controller Installation Guide



MB SYNC Installation Guide

CAUTION

- To use Motherboard RGB Software, please only connect Cable F to the water block
- Please power off the PC and check the Positive and Negative ends on the connector before connecting the cable to the mainboard. Connecting the wrong end can damage the product.

