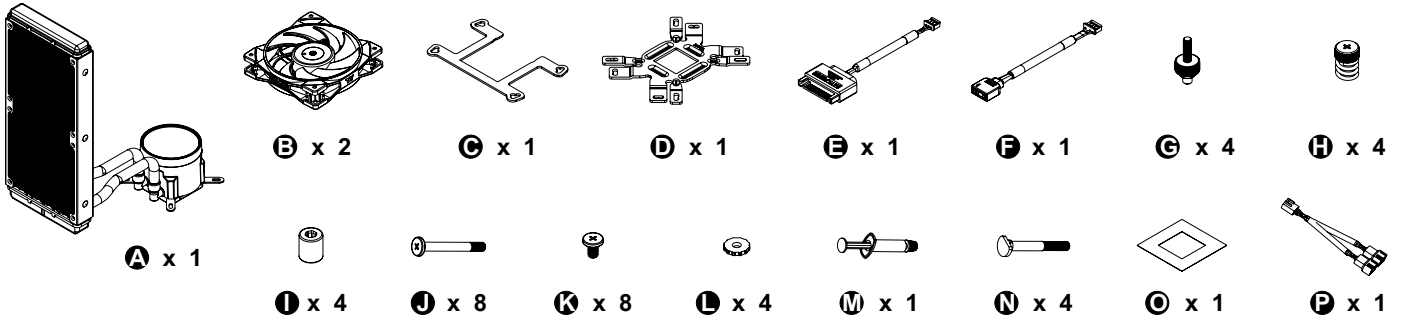
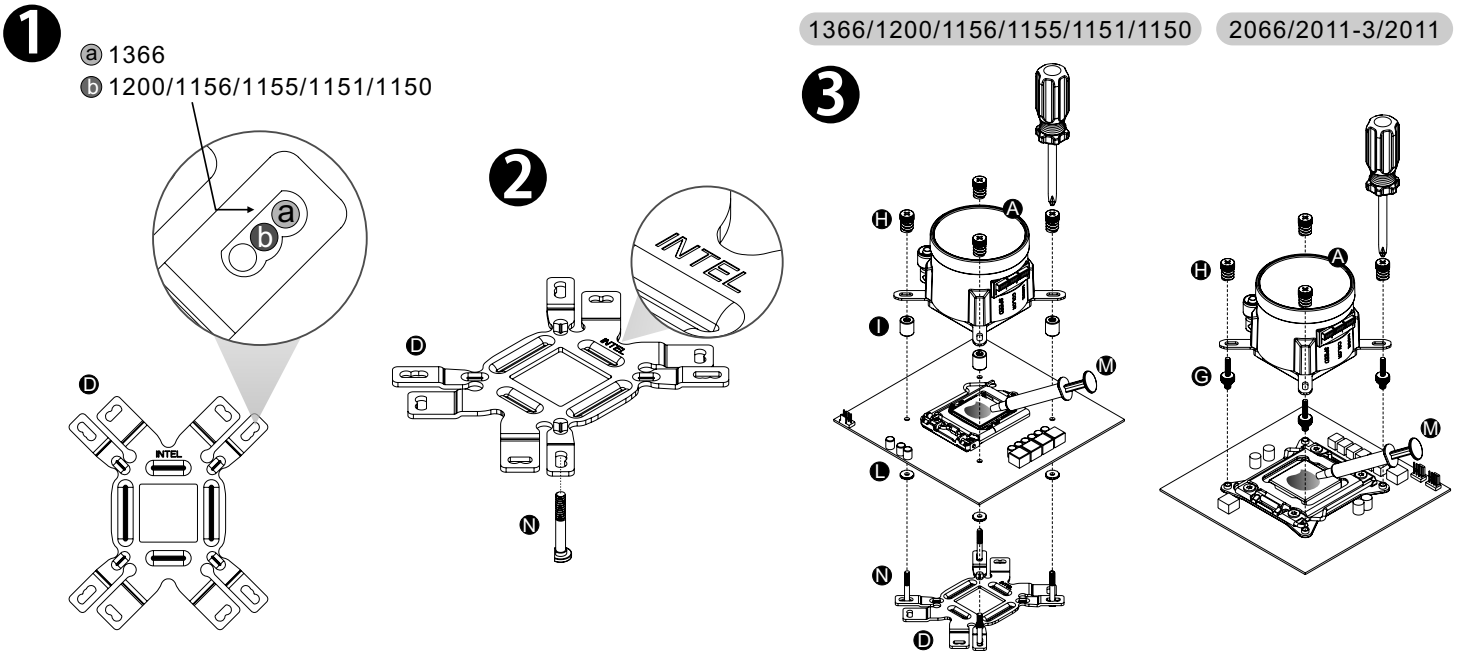


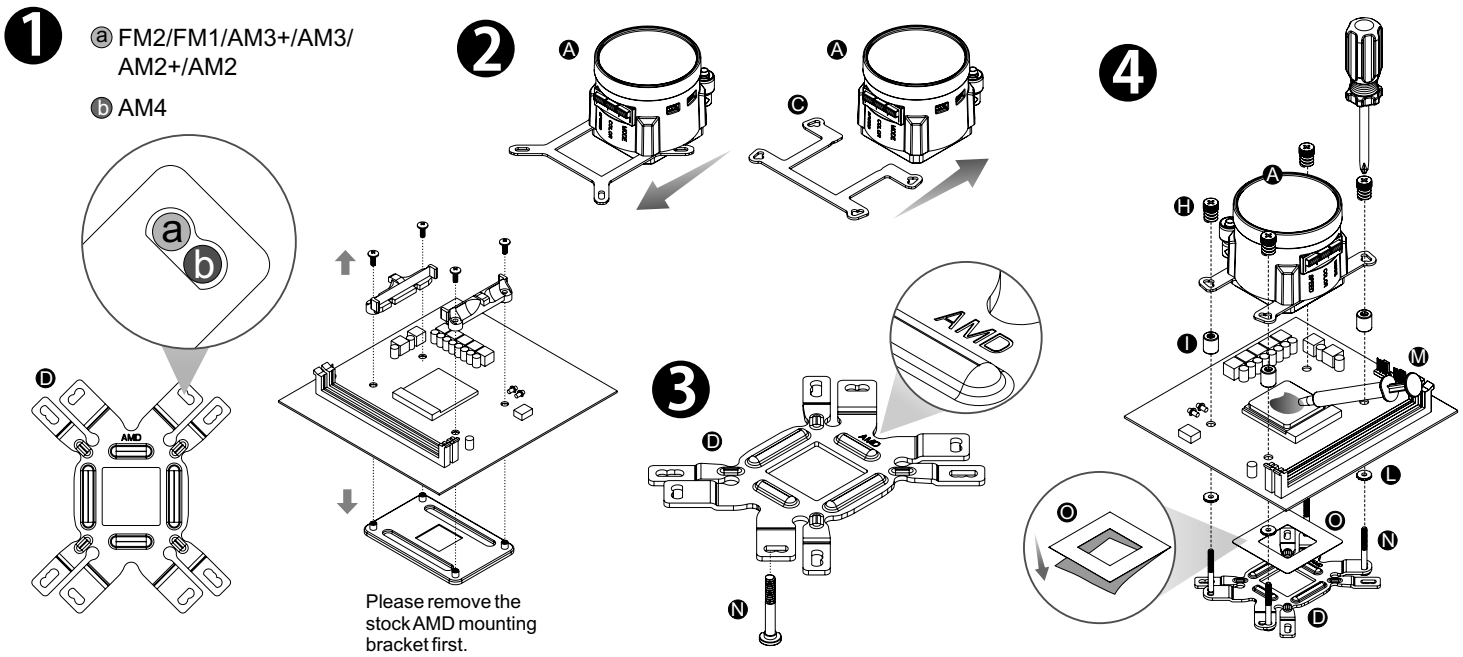
Parts List



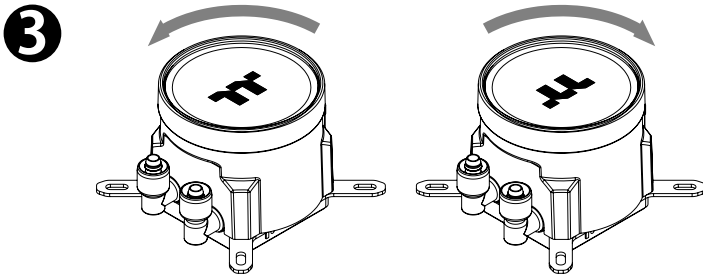
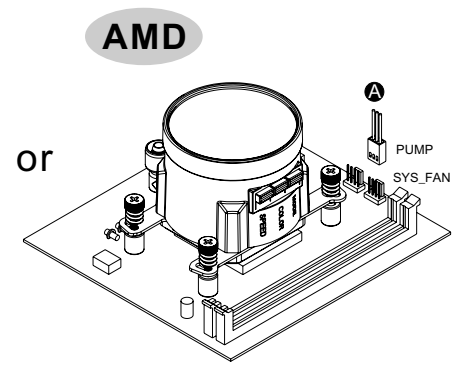
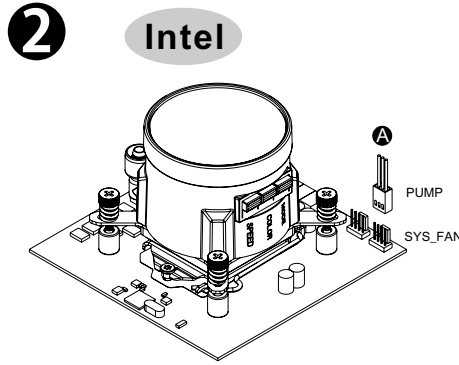
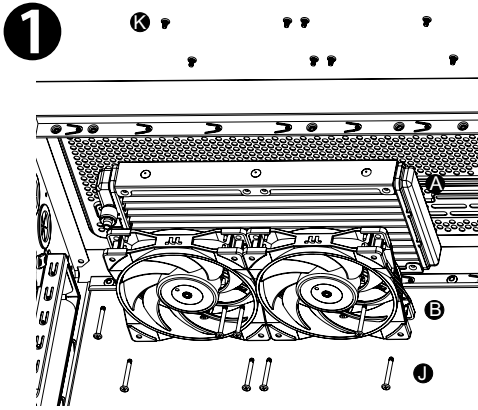
Intel Installation Guide



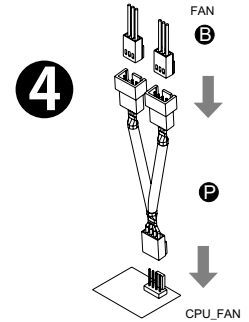
AMD Installation Guide



Installation Guide

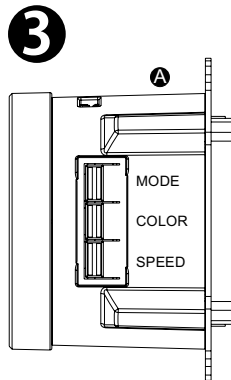
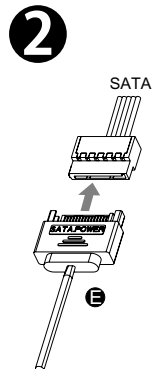
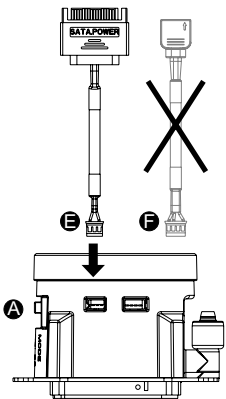


A rotatable LED cap built-in waterblock accommodates re-orienting the logo no matter the direction the cooler is installed



ARGB Controller Installation Guide

1 **CAUTION**
To use the ARGB Controller, please only connect Cable E to the water block



- 1. Light Mode:**
Switch over between 7 LED modes.
Rainbow → Full light → RGB Spectrum → Off → Flow → Radar → Pulse → Blink
- 2. Color Mode:**
When light mode is in Full Lighted, Pulse and Blink :
Switch over 8 LED colors .
Red → Yellow → Green → Teal → Blue → White → Purple → Rainbow
When light mode is in Ripple :
Switch over 7 LED colors .
Red → Yellow → Green → Teal → Blue → White → Purple
When light mode is in RGB Spectrum:
Click to memorize and lock the color you want, click again to unlock the 256 colors auto rotation.
When light mode is in Wave and Flow :
LED color can not be adjusted.
- 3. Light Speed:**
Switch over between 4 light modes.
Slow → Normal → Fast → Extreme

MB SYNC Installation Guide

- CAUTION**
- To use Motherboard RGB Software, please only connect Cable F to the water block
 - Please power off the PC and check the Positive and Negative ends on the connector before connecting the cable to the mainboard. Connecting the wrong end can damage the product.

