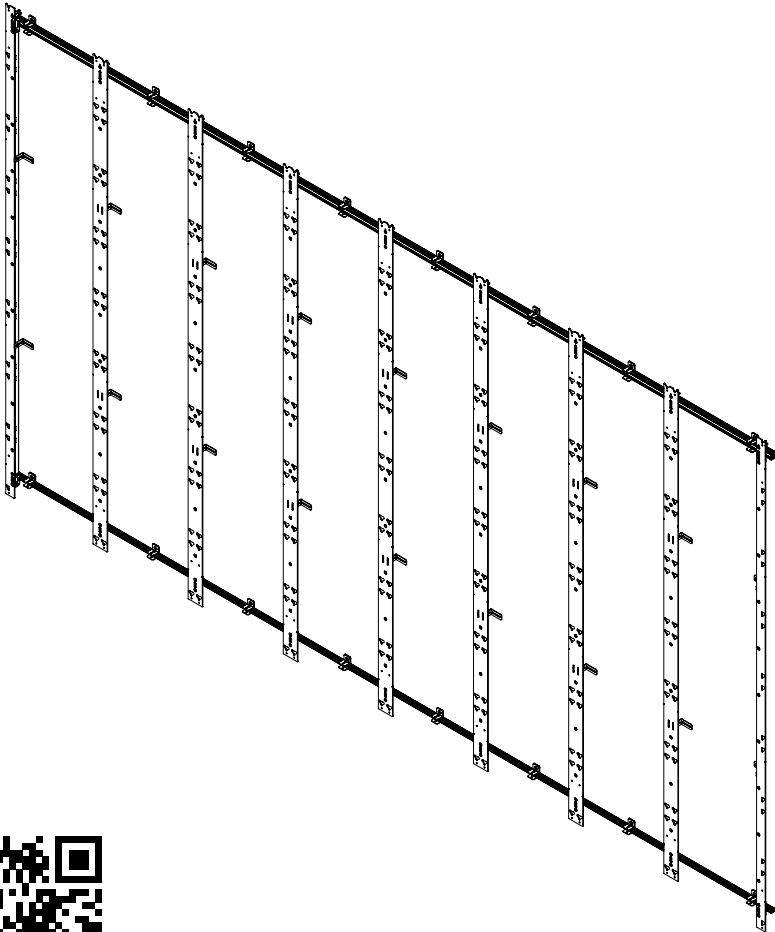




DS-LEDLSCB Series

For LG LSCB

*Actual configuration may vary



ENG Installation video for reference only.
Read and follow instruction manual for full installation.



⚠ WARNING

ENG - This product is designed to be installed on plywood walls. Hardware is included for plywood installation. This product is designed to be installed on flat, unobstructed, vertical walls. Do not install on curved or angled walls. Before installing make sure the supporting surface will support the combined load of the equipment and hardware. Screws must be tightly secured. Do not overtighten screws or damage can occur and product may fail. Never exceed the Maximum Load Capacity. Always use an assistant or mechanical lifting equipment to safely lift and position equipment. This product is intended for indoor use only. Use of this product outdoors could lead to product failure or personal injury. Be careful not to pinch fingers when operating the mount. For support please call customer care at 1-800-865-2112.

ENG Symbols



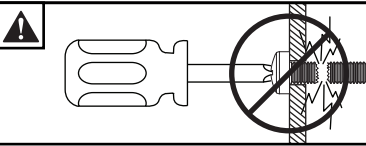
ENG WARNING



ENG Skip to step.



ENG Wear anti-static gloves.

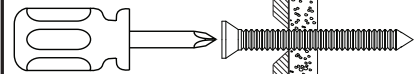


ENG Do not overtighten screws.

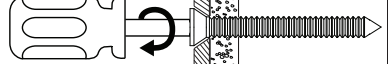


ENG To properly tighten screws: Tighten until screw head makes contact, then tighten another 1/2 turn. Do not overtighten screws.

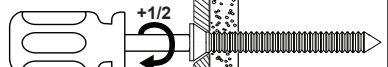
1



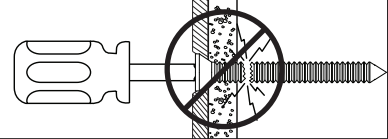
2



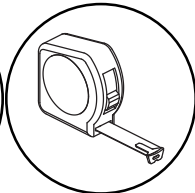
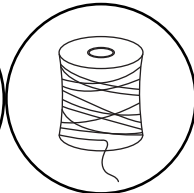
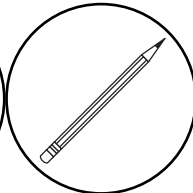
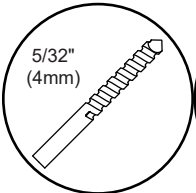
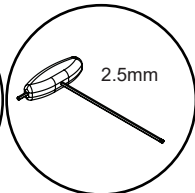
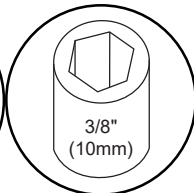
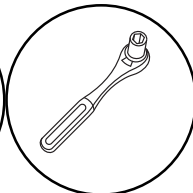
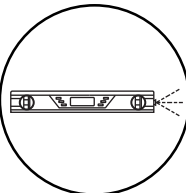
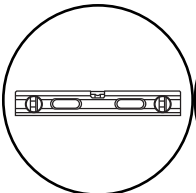
3



4



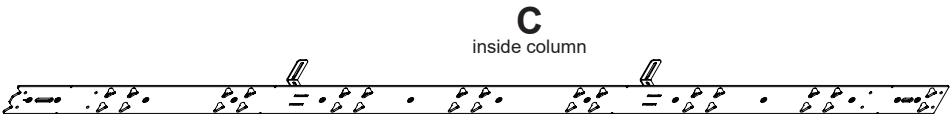
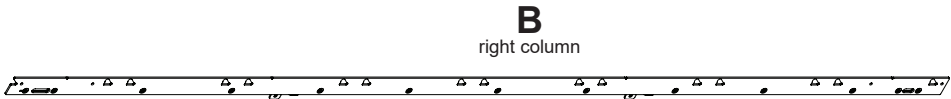
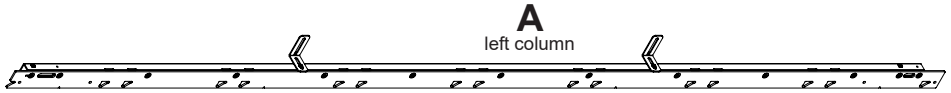
ENG Tools Needed for Assembly.



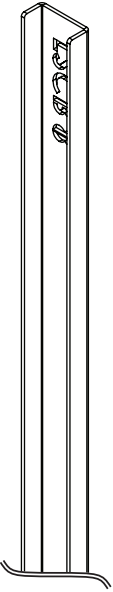
ENG Parts (Before beginning, make sure you have all parts shown below).
Refer to parts list included with your model.

Parts List

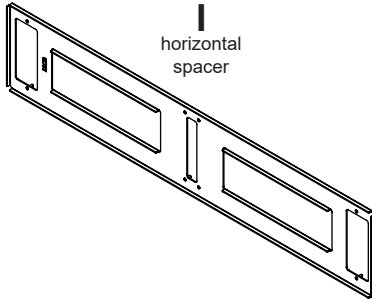
	Description
A	left column
B	right column
C	inside column
D	top left horizontal asy
E	top right horizontal asy
F	bottom left horizontal asy
G	bottom right horizontal asy
H	vertical spacer
I	horizontal spacer
J	M5 square nut (spare)
K	3mm allen wrench two-tip T-handle
L	wall plate shim
M	connector plate
N	M5 x 5mm set screw
O	M5 x 8mm socket screw
P	#14 x 1.75" wood screw
Q	2.5mm allen wrench



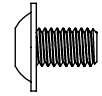
H
vertical
spacer



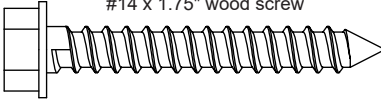
I
horizontal
spacer



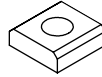
O
M5 x 8mm



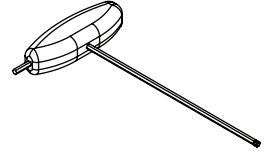
P
#14 x 1.75" wood screw



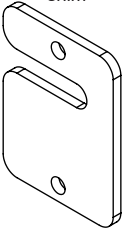
J
M5 square nut



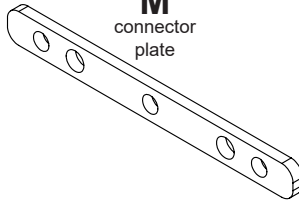
K
3mm allen wrench
two-tip T-handle



L
wall plate
shim



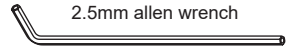
M
connector
plate



N
M5 x 5mm
set screw



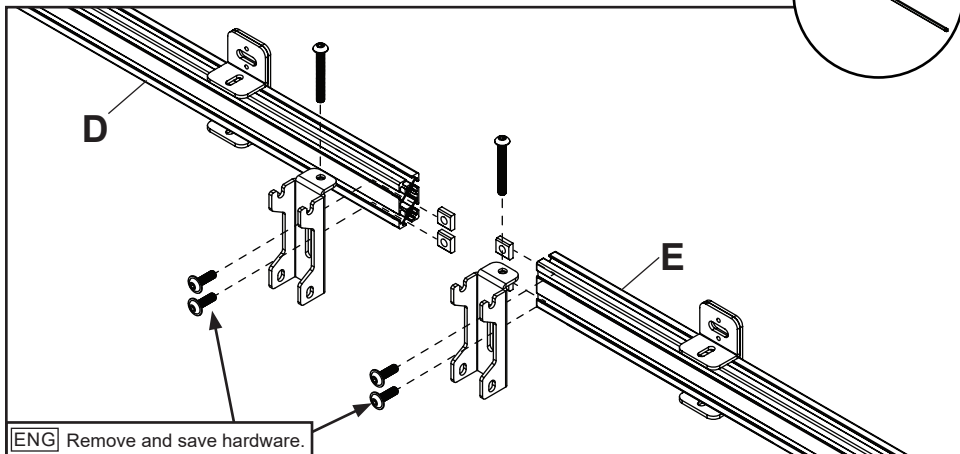
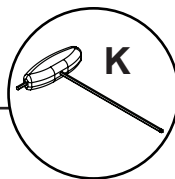
Q
2.5mm allen wrench



ENG This page intentionally left blank.

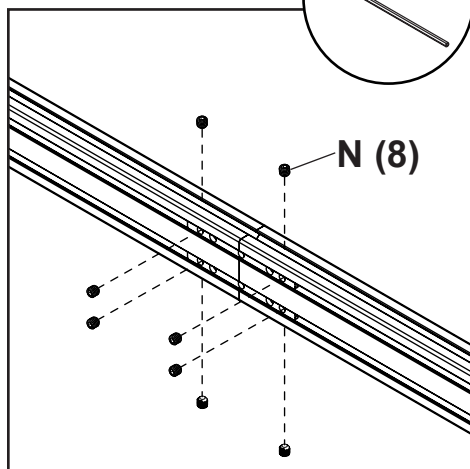
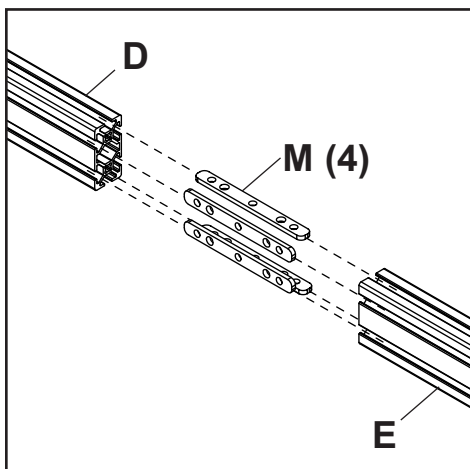
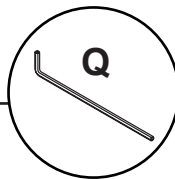
1-1

ENG Optional: If connecting two top horizontal extrusions, first remove inner hook-on brackets.



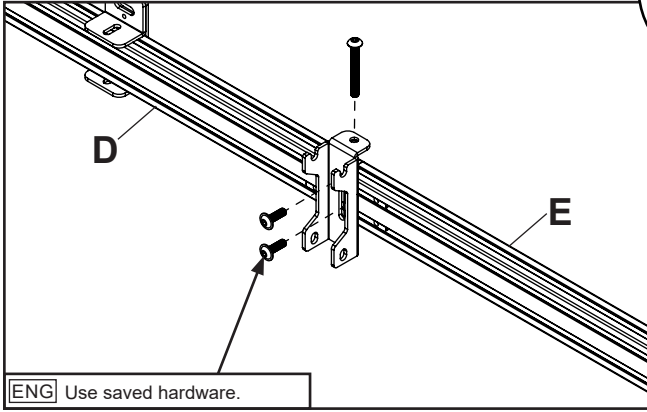
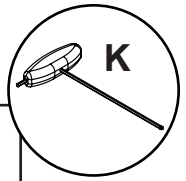
1-2

ENG Use extrusion connectors to connect top horizontal extrusions.

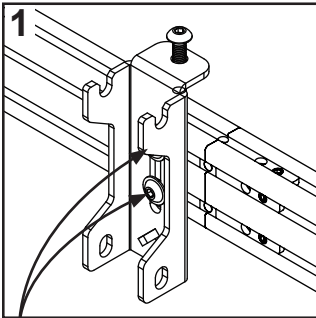
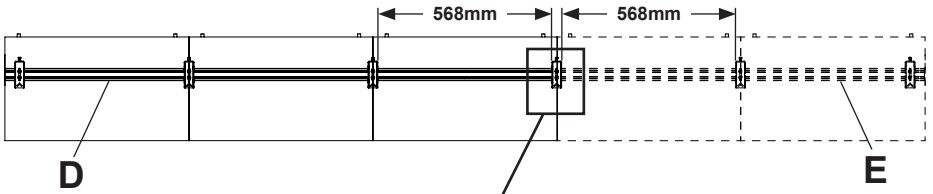


1-3

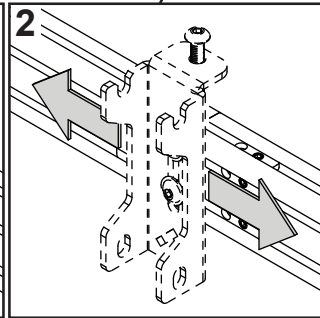
ENG Replace one hook-on bracket in between connected extrusions.



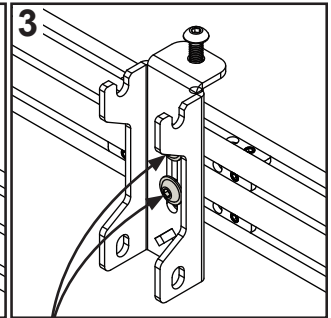
1-4



ENG Loosen.
ESP Afloje.
FRN Desserrez.
DEU Lösen.



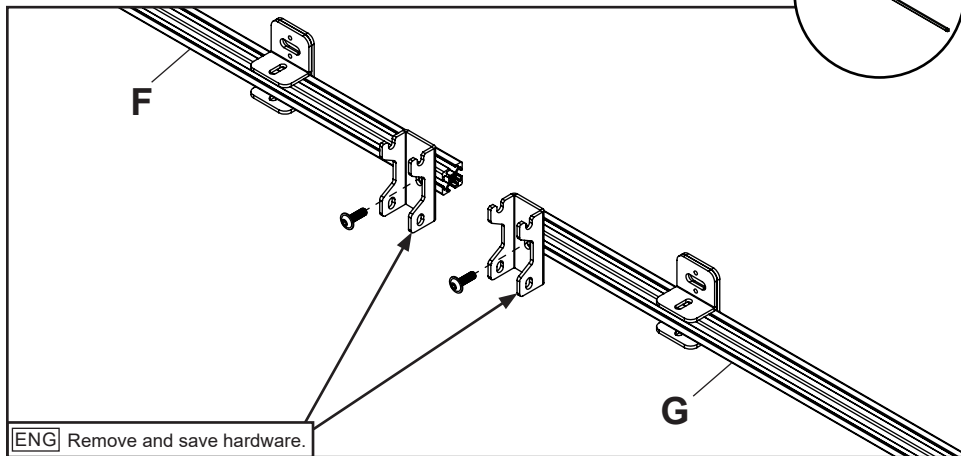
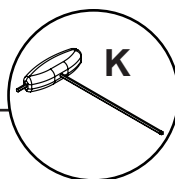
ENG Adjust.
ESP Ajuste.
FRN Réglez.
DEU Einstellen.



ENG Tighten.
ESP Apriete.
FRN Puis serrez.
DEU Anziehen.

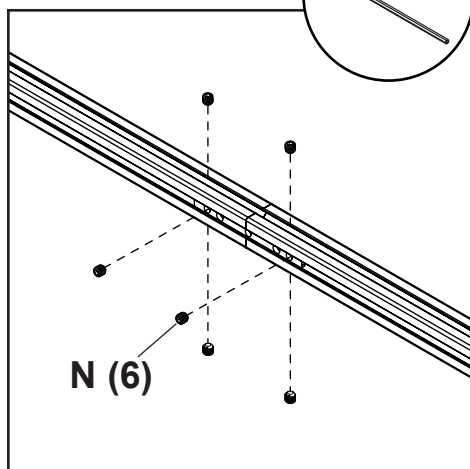
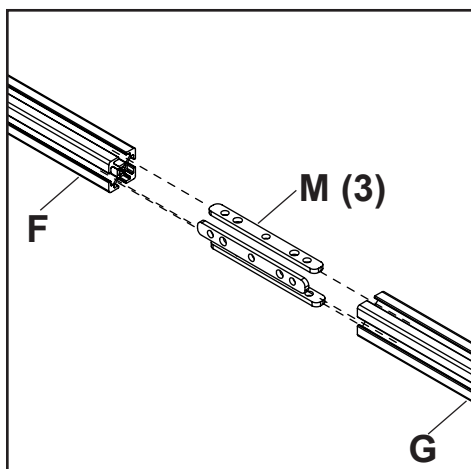
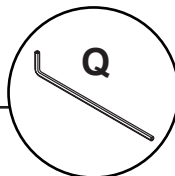
2-1

ENG Optional: If connecting two bottom horizontal extrusions, first remove inner hook-on brackets



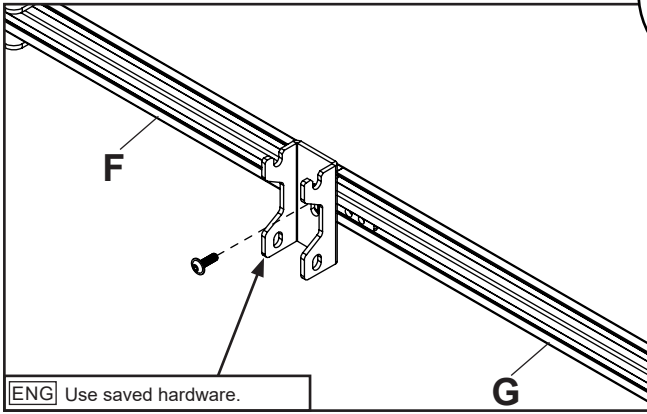
2-2

ENG Use extrusion connectors to connect bottom horizontal extrusions.

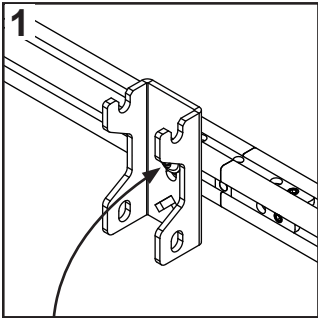
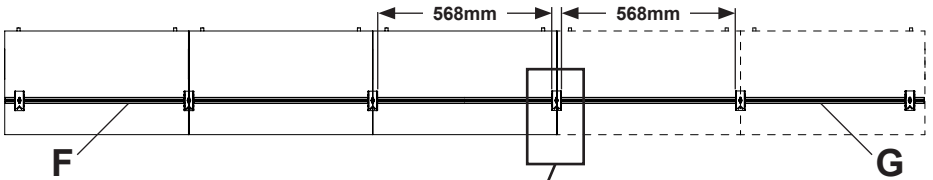


2-3

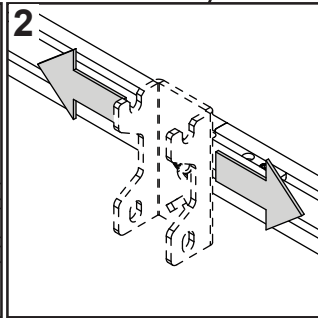
ENG Replace one hook-on bracket in between connected extrusions.



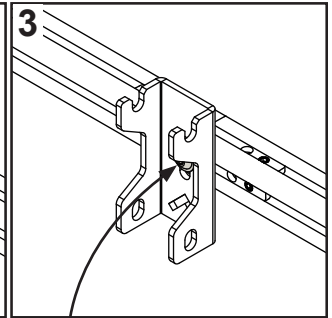
2-4



ENG Loosen.
ESP Afloje.
FRN Desserrez.
DEU Lösen.



ENG Adjust.
ESP Ajuste.
FRN Réglez.
DEU Einstellen.



ENG Tighten.
ESP Apriete.
FRN Puis serrez.
DEU Anziehen.

▲ WARNING

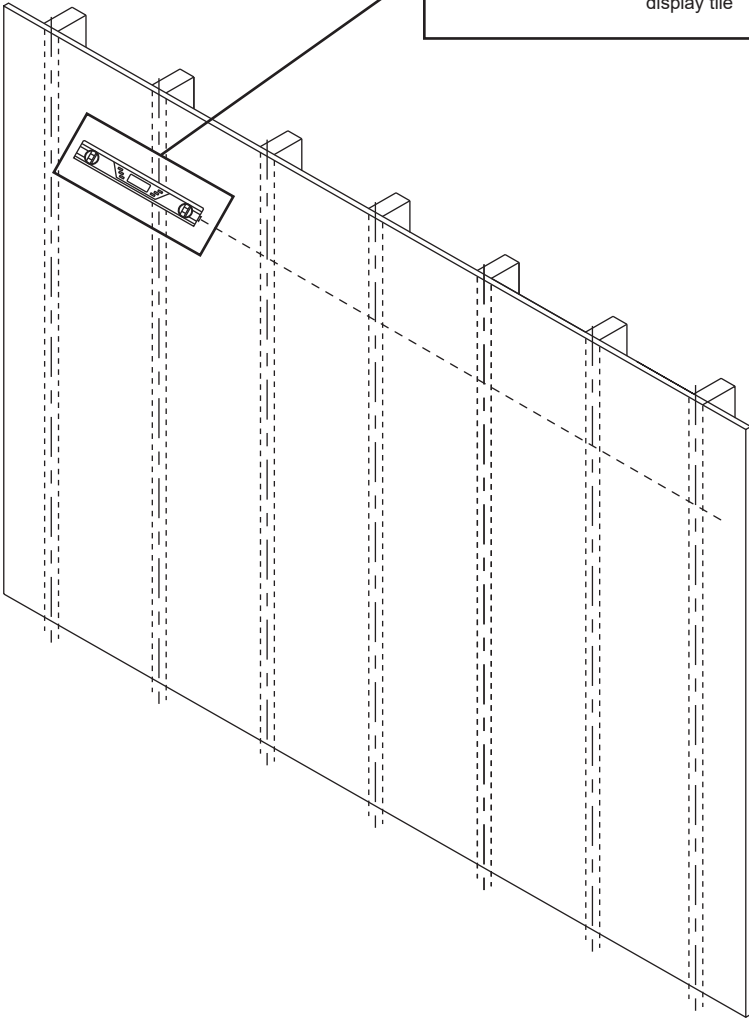
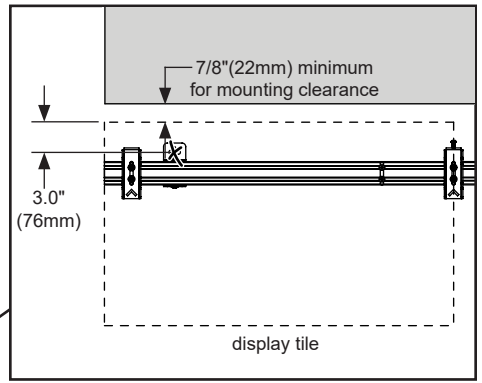
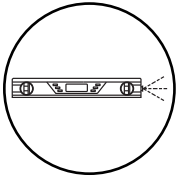
ENG - When installing Peerless wall mounts on a wood stud wall covered with plywood, verify that the wood studs are a minimum of 2" x 4" nominal size and plywood is a minimum Grade BC, 1/2" (13 mm) thick. Plywood may be covered by gypsum board (drywall) up to 5/8" thick.

3-1

ENG When installing more than one display to a wood stud wall reinforced with plywood (minimum Grade BC, 1/2" thick) that may be covered in gypsum board (drywall) up to 5/8" thick, the mounting surface must be plumb (+/- .25") across the height of the video wall and straight (+/- .25") across the width of the video wall.

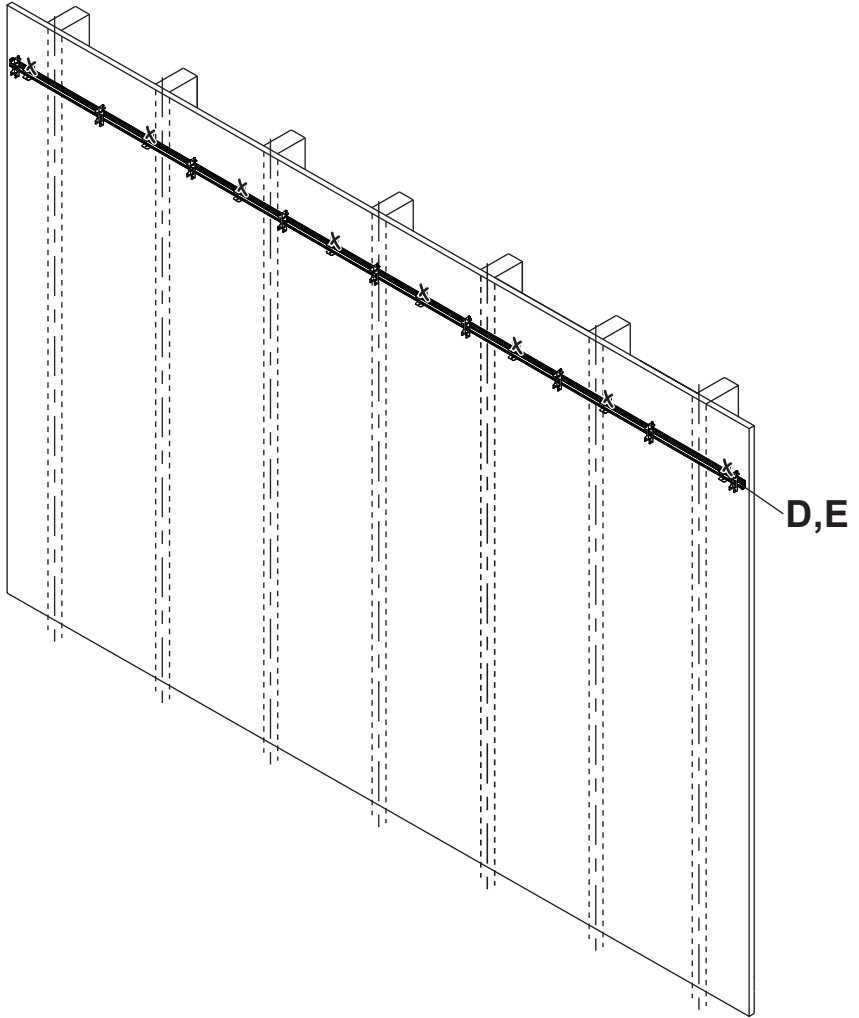
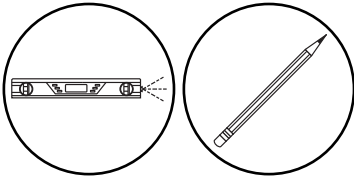
3-2

ENG Use a laser level to keep mounting holes level.

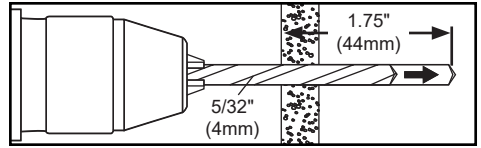
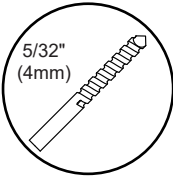


3-3

ENG Level top horizontal extrusion and mark mounting holes on plywood (must be minimum Grade BC, 1/2" (13mm) thick.)



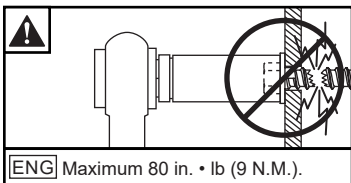
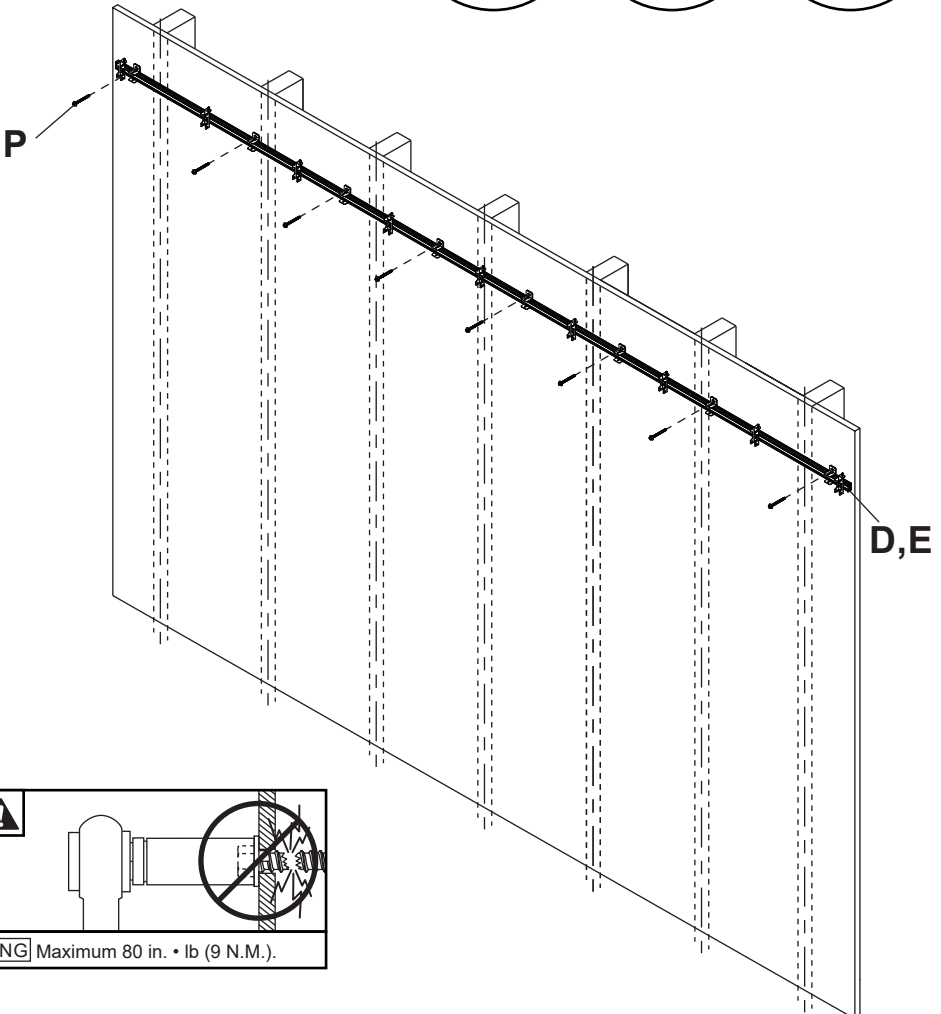
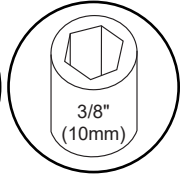
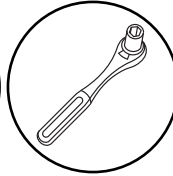
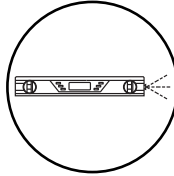
3-4



ENG Drill mounting holes into supporting surface (1.75" (44mm) minimum depth required).

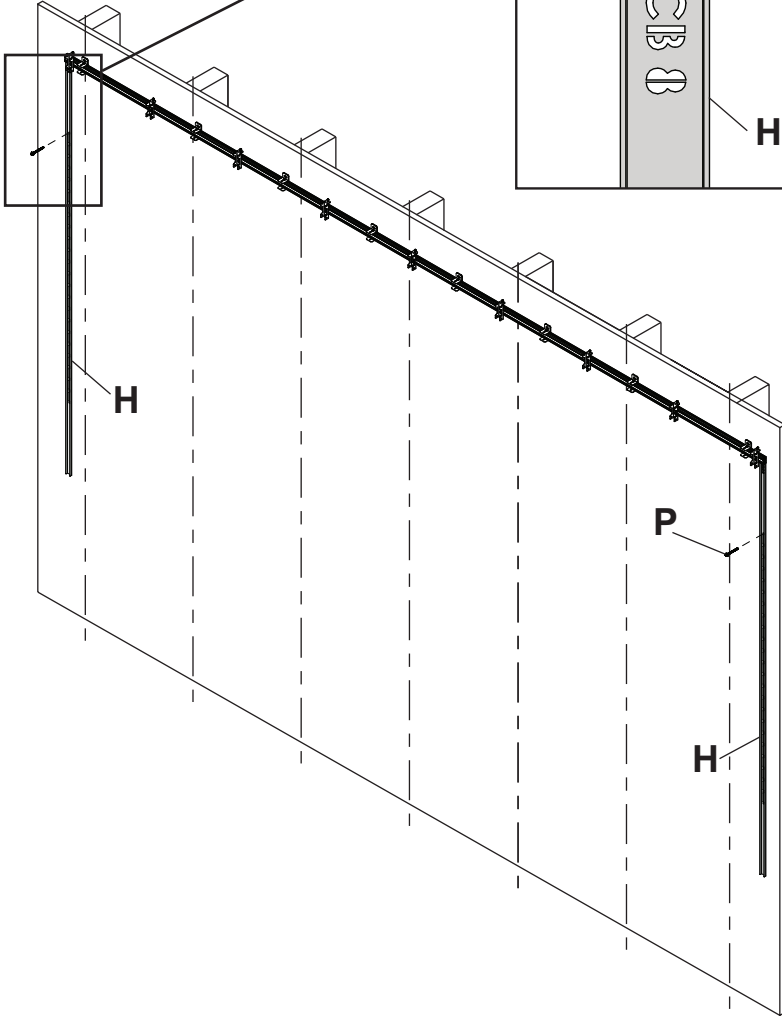
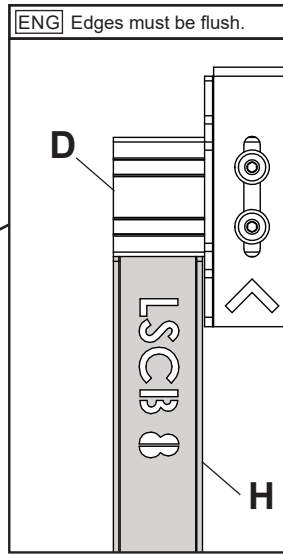
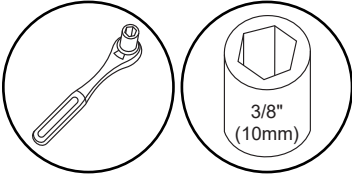
3-5

ENG Level extrusion. Install using wood screws provided.



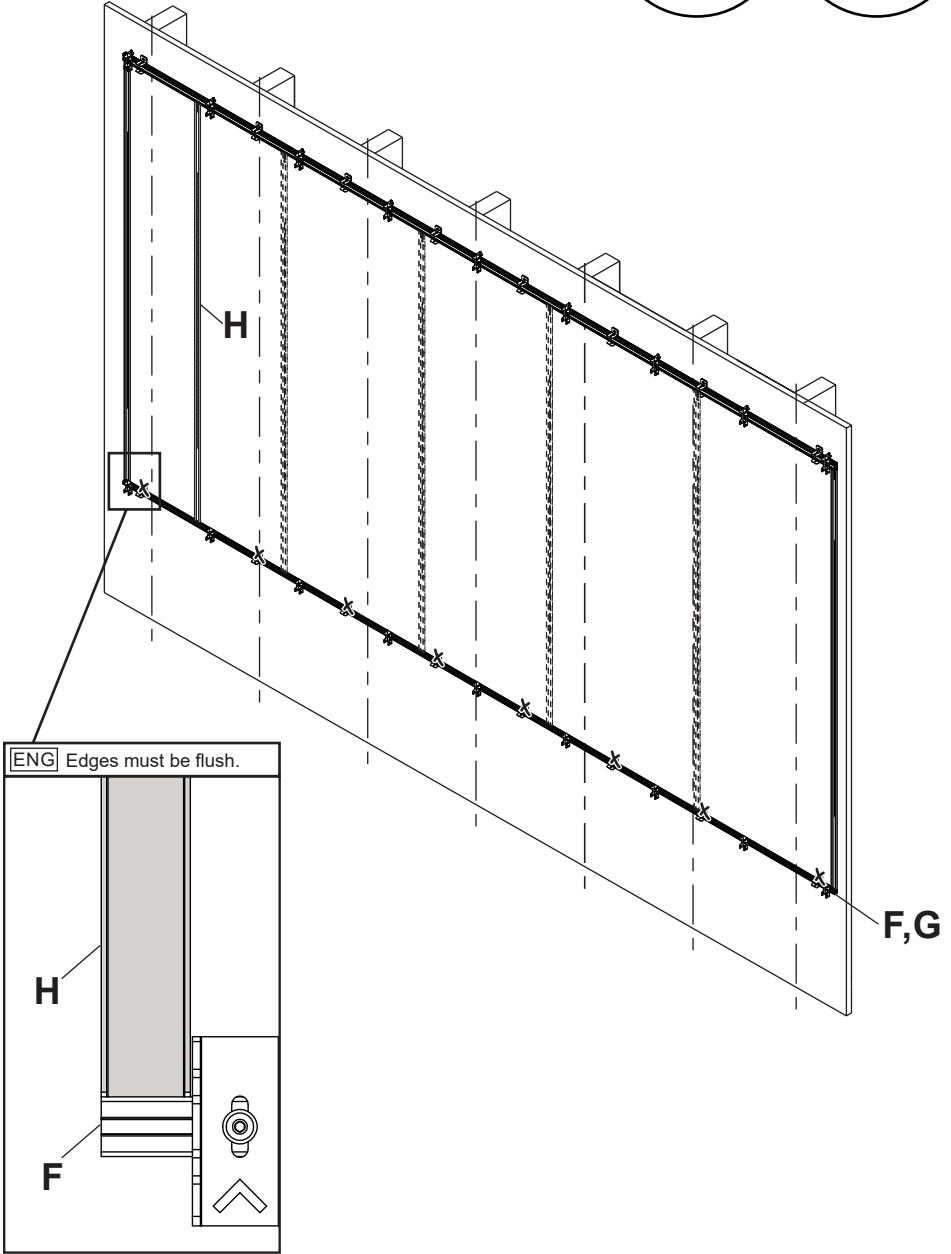
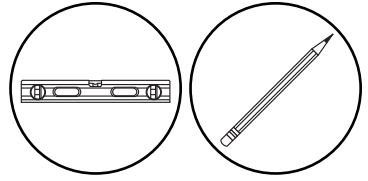
3-6

ENG Secure vertical spacers to the wall flush with the horizontal extrusion.

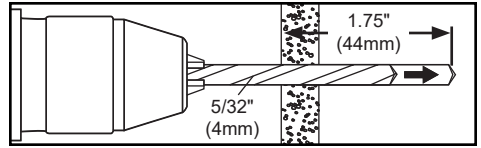
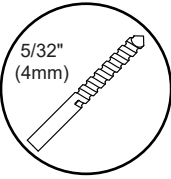


3-7

ENG Use third vertical spacer to align bottom horizontal extrusion flush with vertical spacer, then mark mounting holes on plywood (must be minimum Grade BC, 1/2" (13mm) thick.)



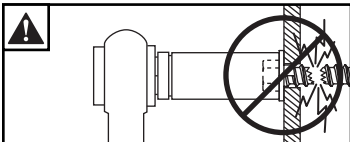
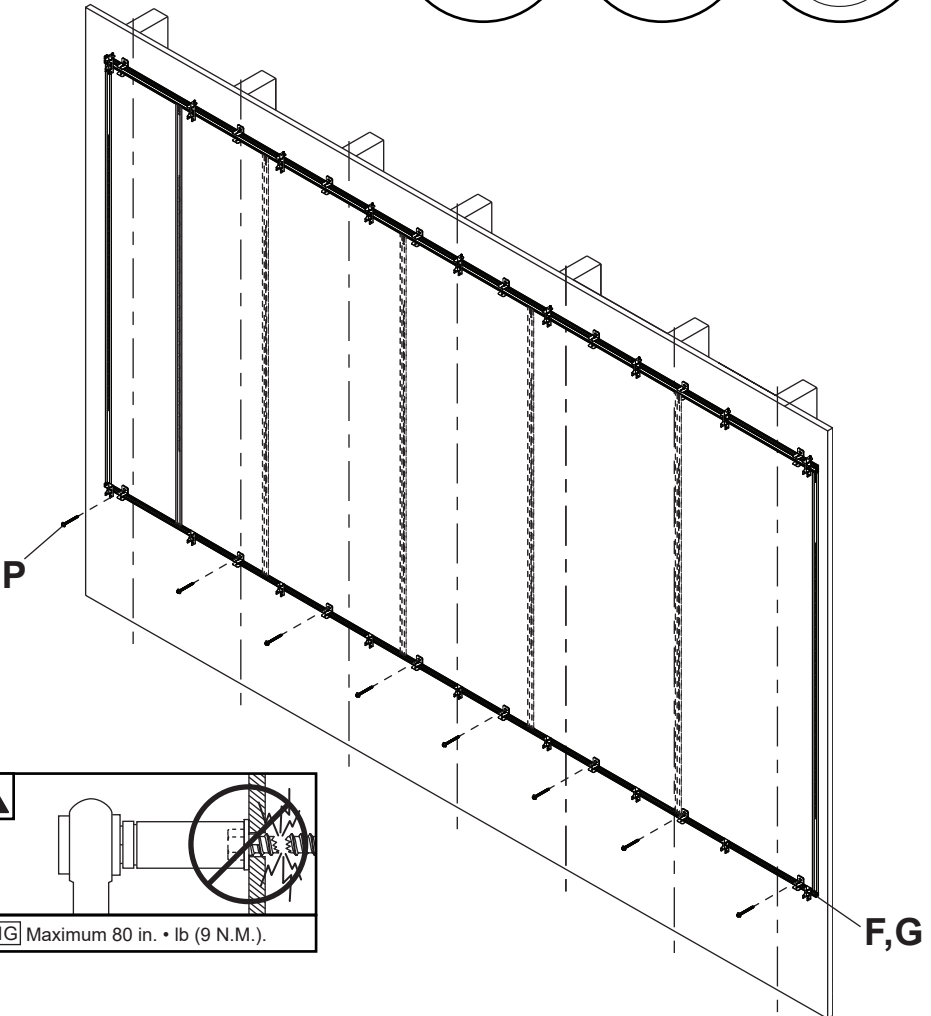
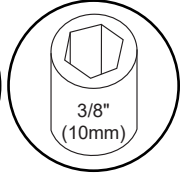
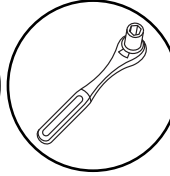
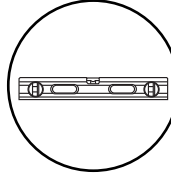
3-8



ENG Drill mounting holes into supporting surface (1.75" (44mm) minimum depth required).

3-9

ENG Use third vertical spacer to align bottom horizontal extrusion flush with vertical spacer, then install using wood screws provided.

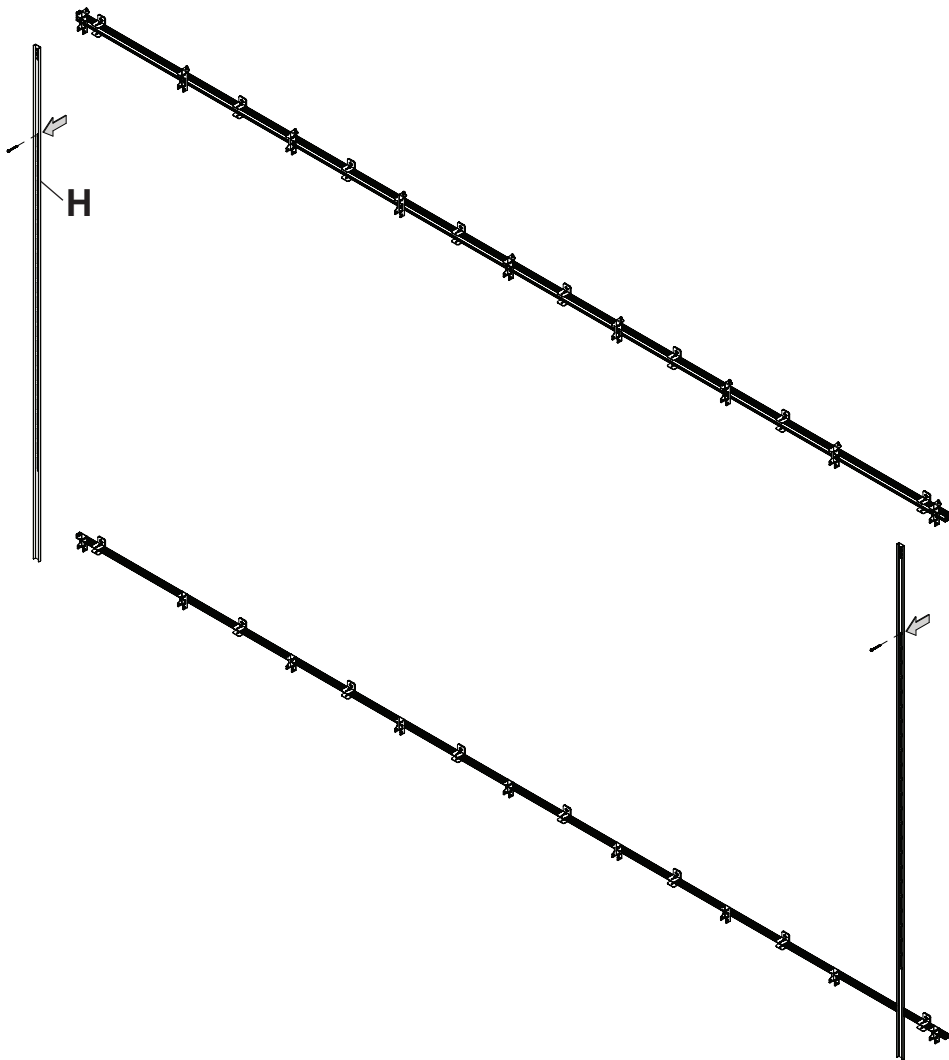
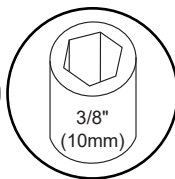
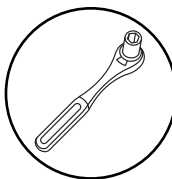


ENG Maximum 80 in. • lb (9 N.M.).

F,G

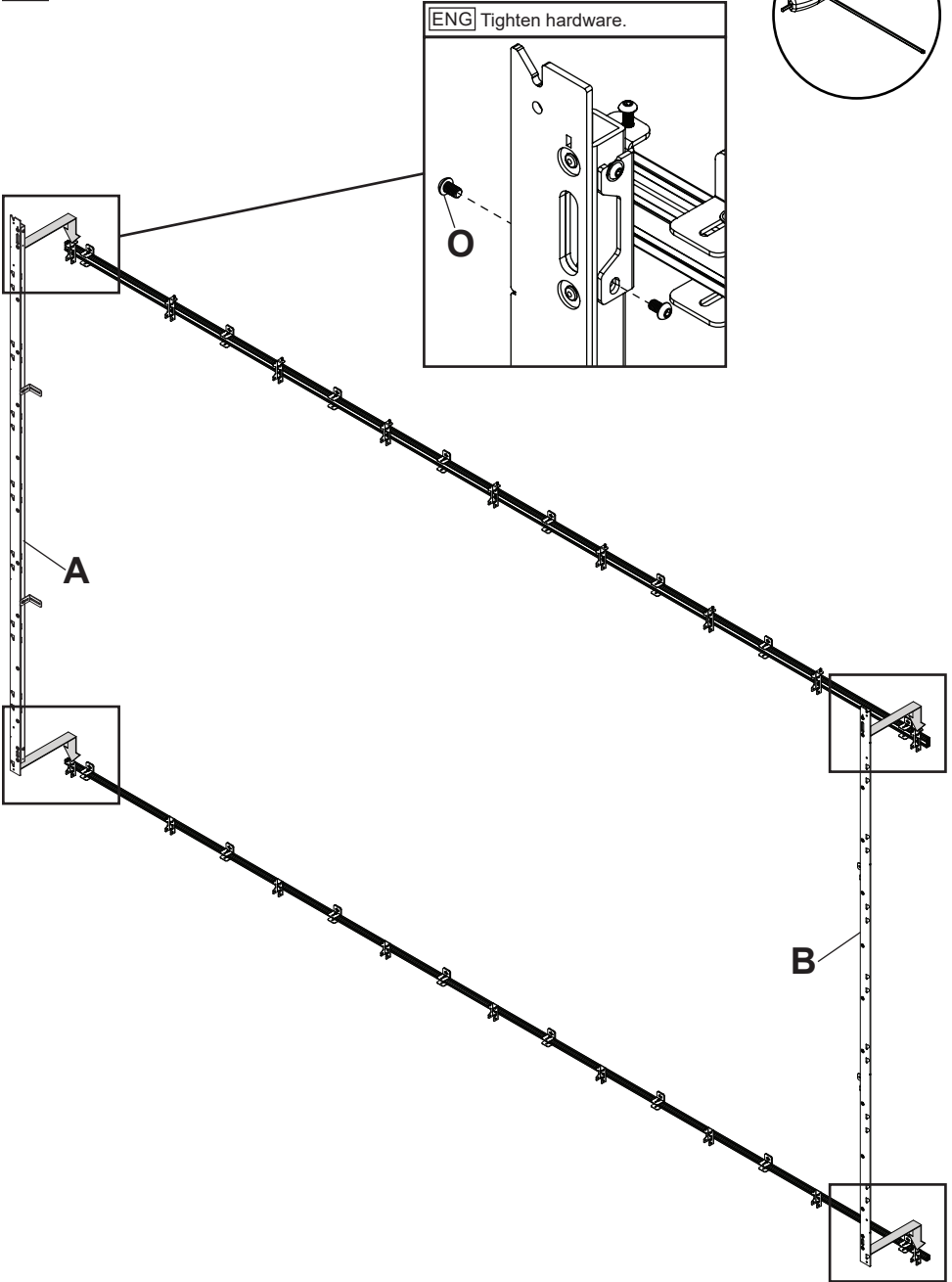
4

ENG Remove vertical spacers.



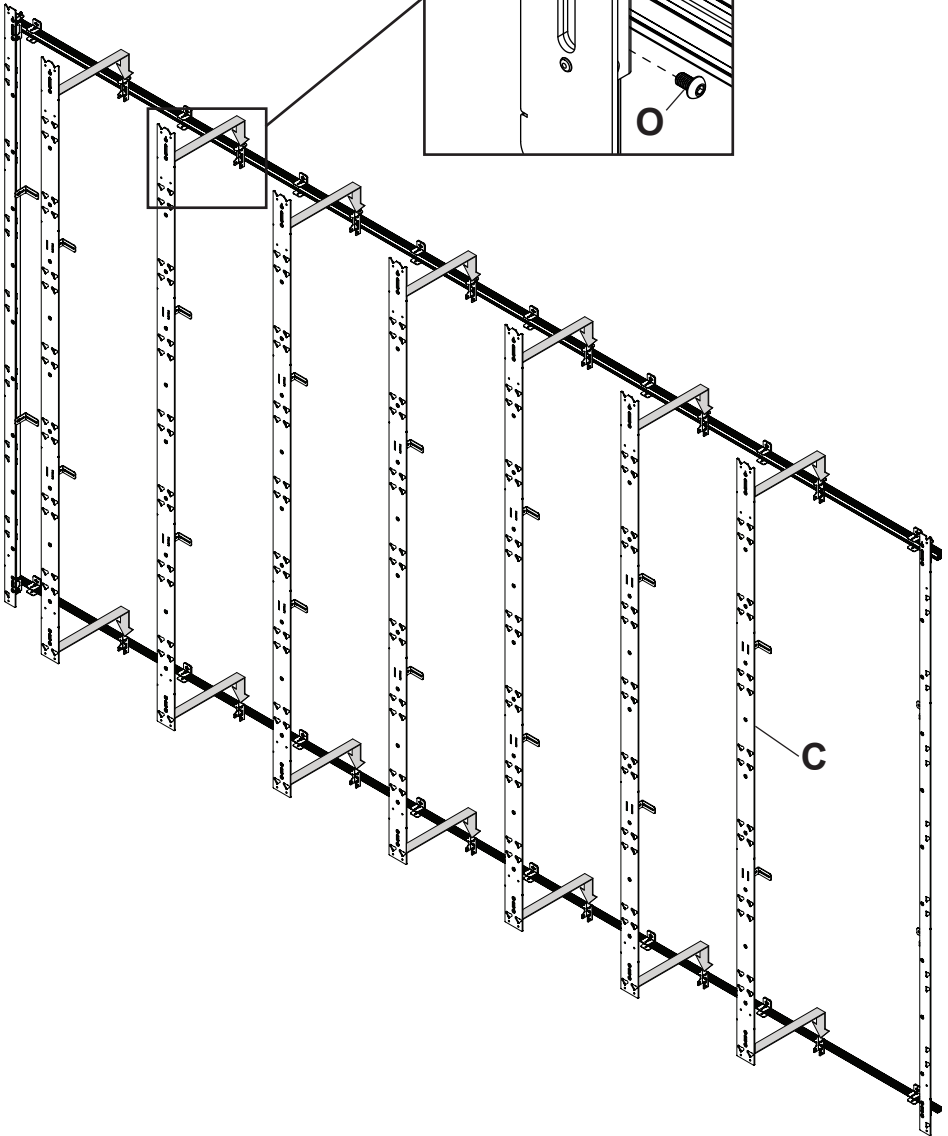
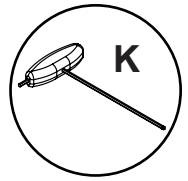
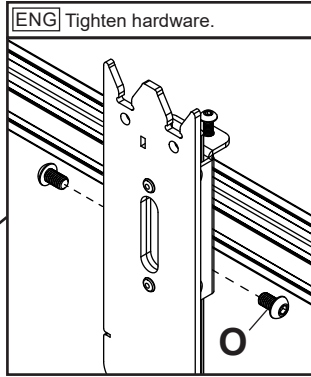
5-1

ENG Hook on and secure outer columns.



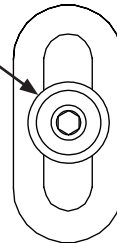
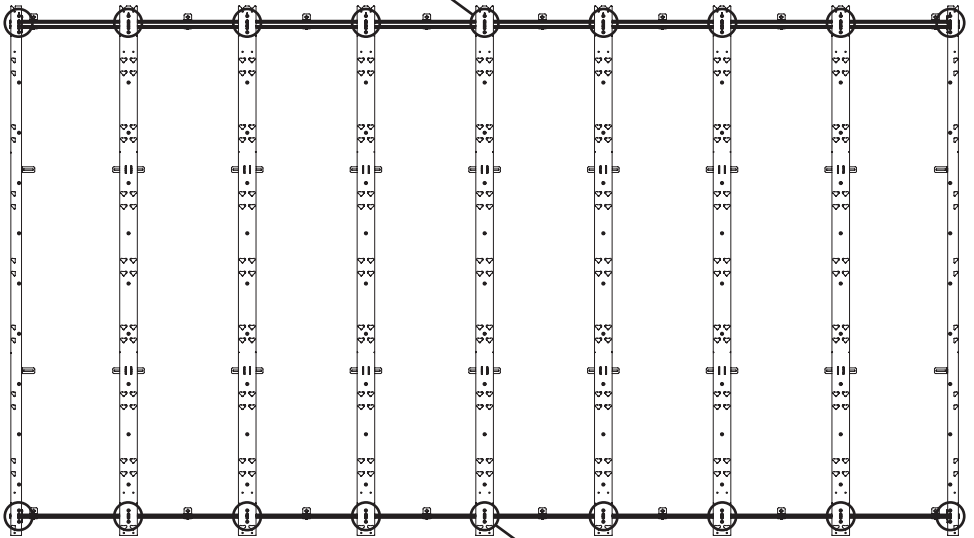
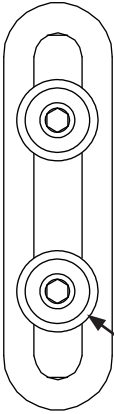
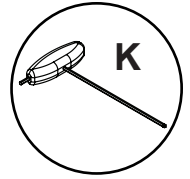
5-2

ENG Hook on and secure all inside columns.



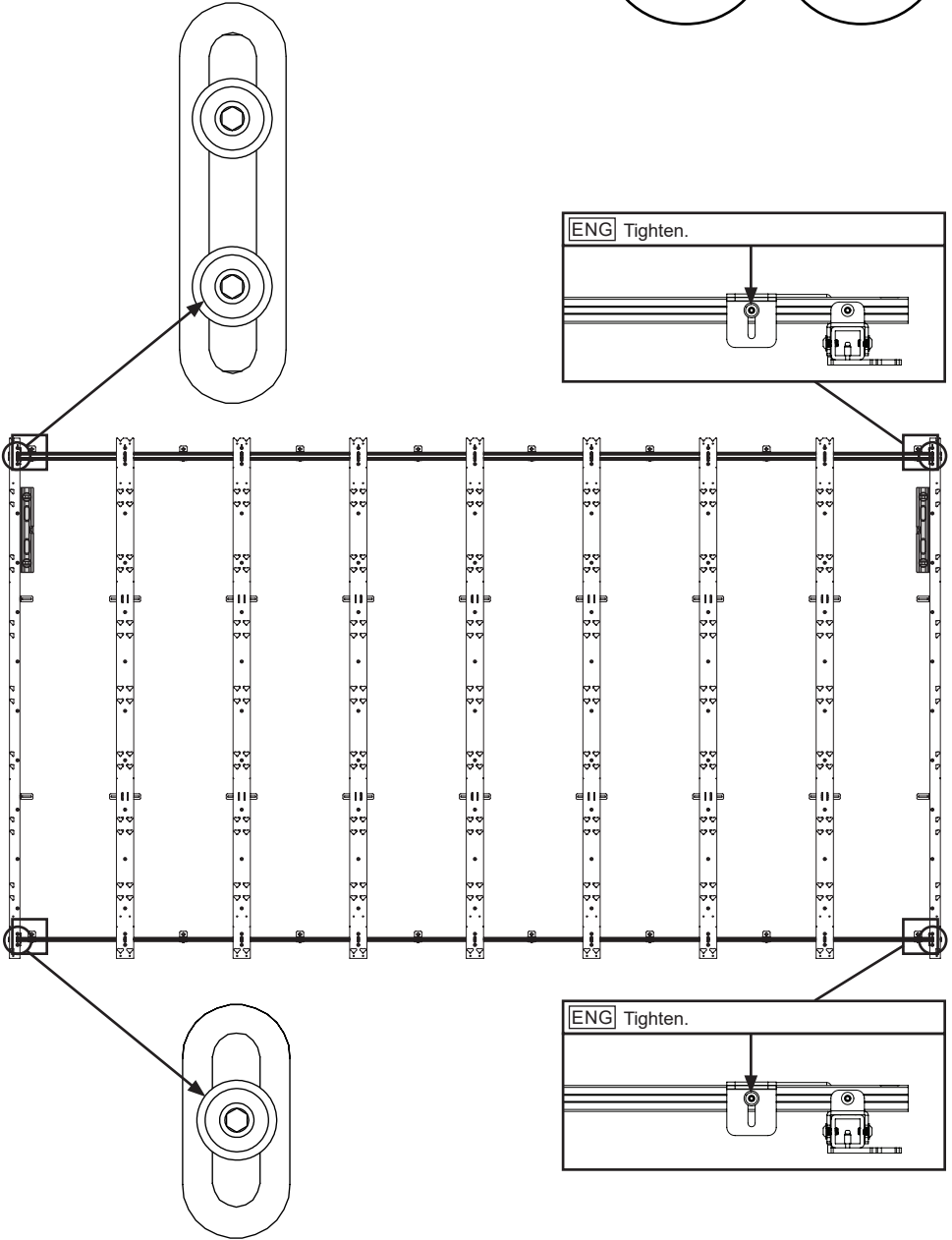
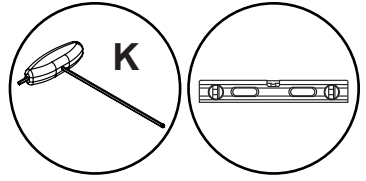
6-1

ENG Loosen hardware on columns.



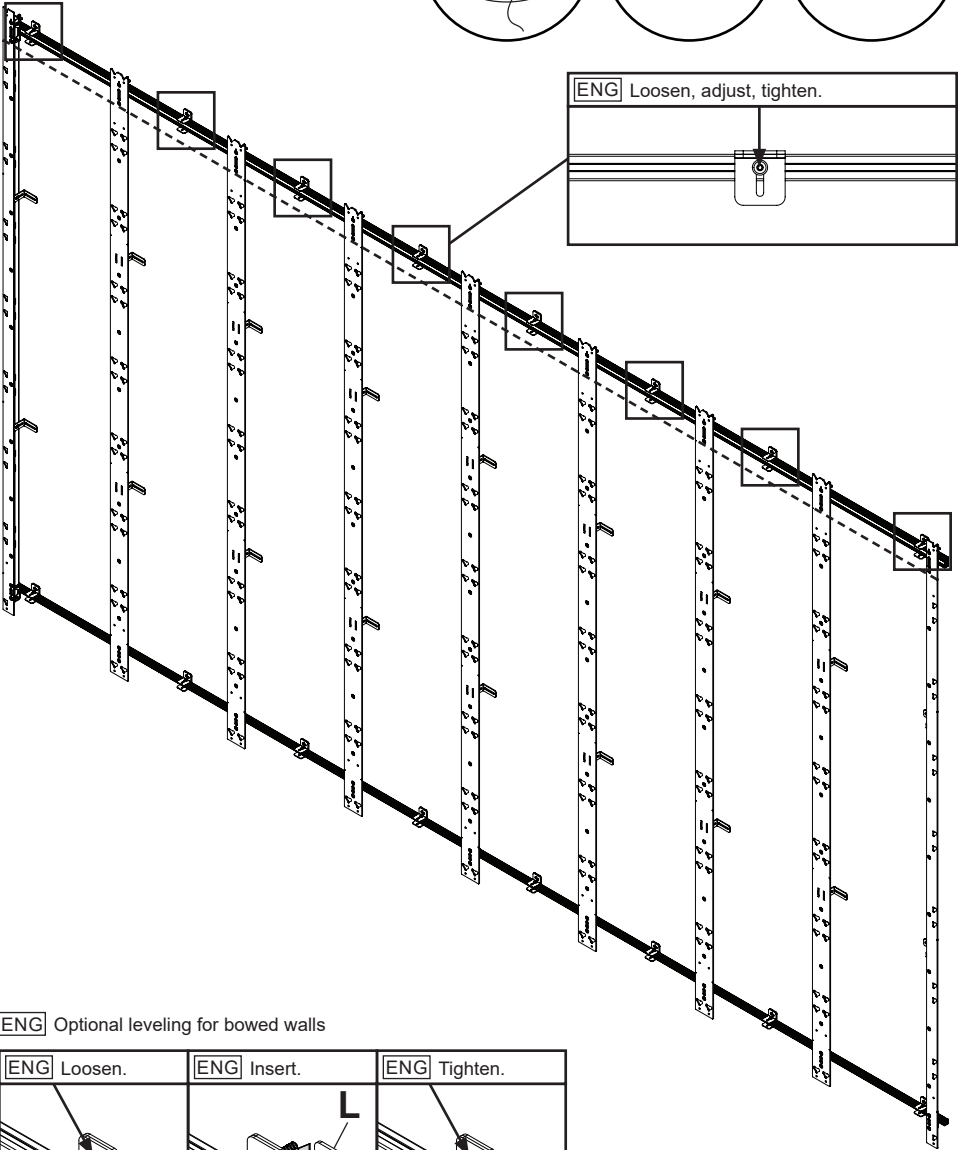
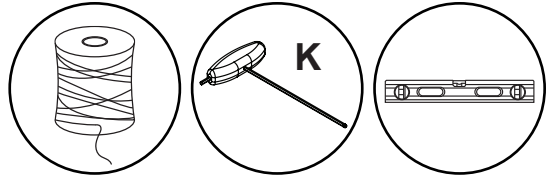
6-2

ENG Plumb and level outer columns, then tighten hardware. Tighten hardware on four corner wall plates.



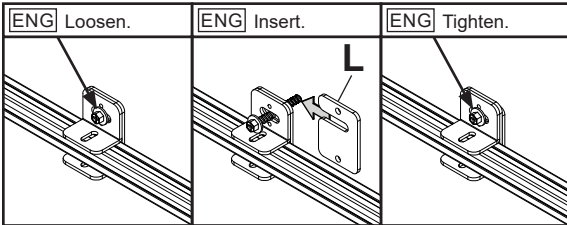
6-3

ENG Tie a string between top slots on outer columns in order to level the depth of each.



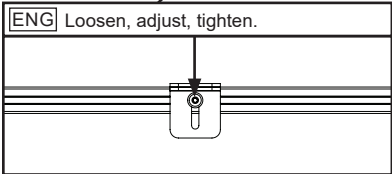
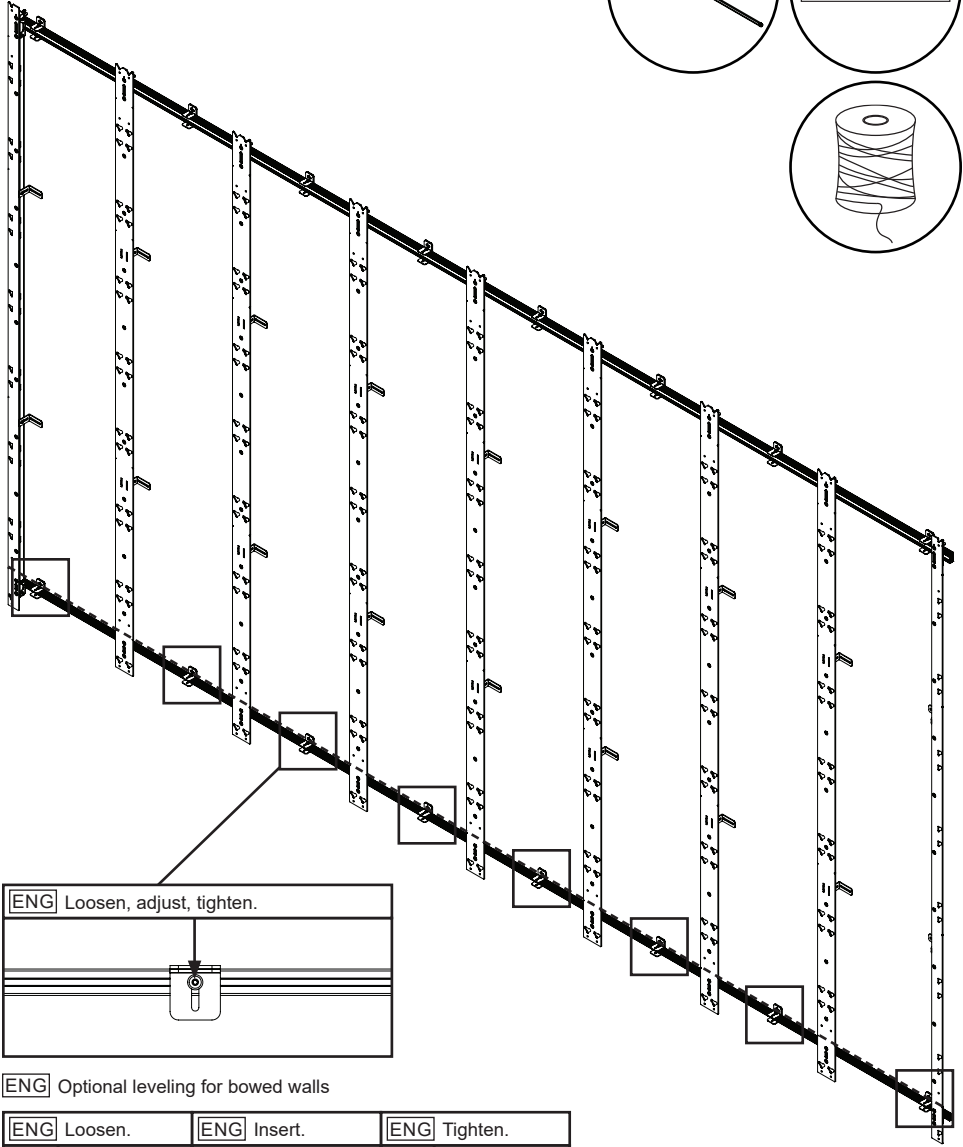
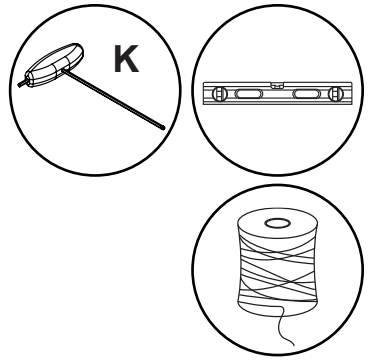
ENG Loosen, adjust, tighten.

ENG Optional leveling for bowed walls

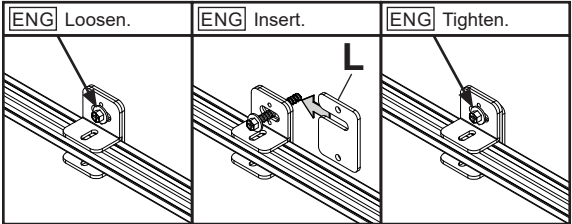


6-4

ENG Tie a string between bottom slots on outer columns in order to level the depth of each.

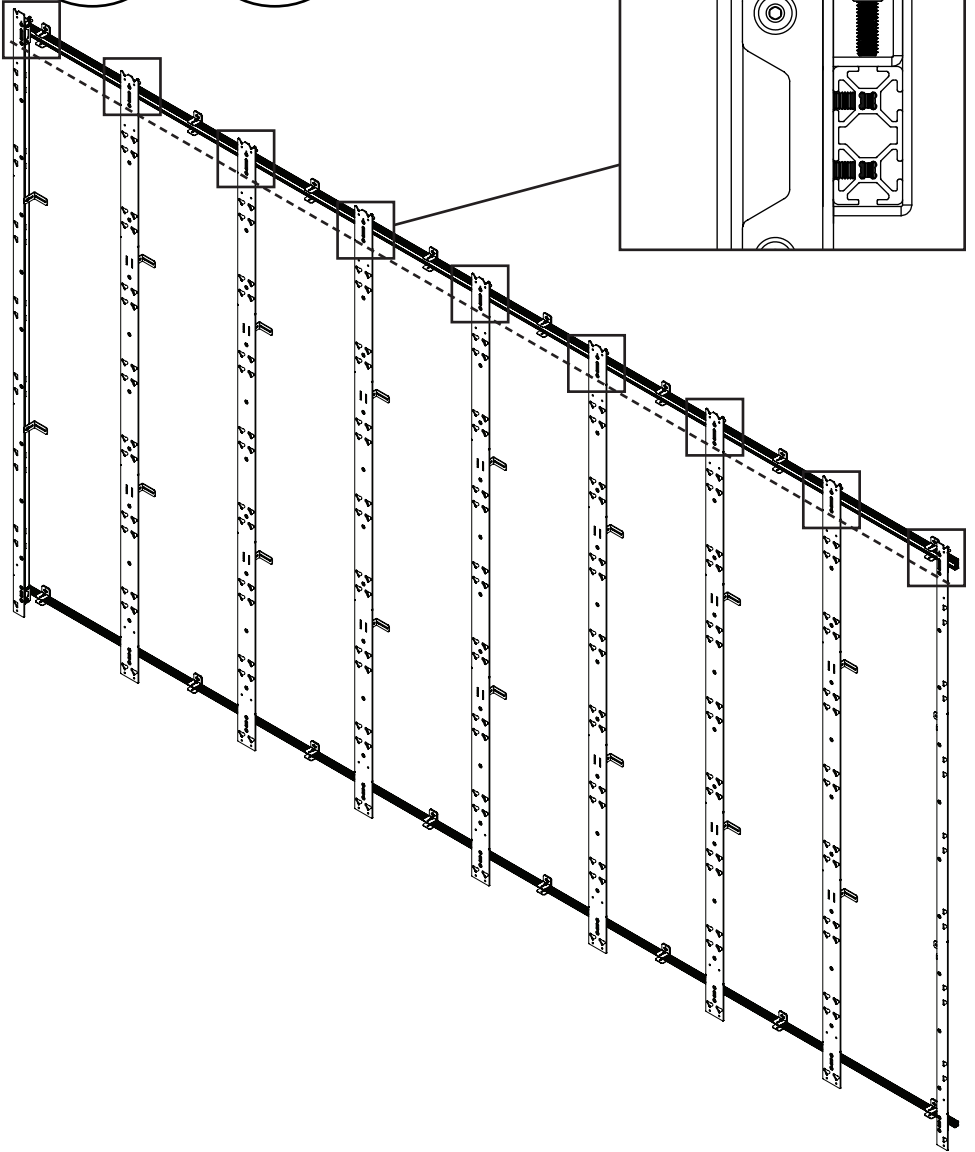
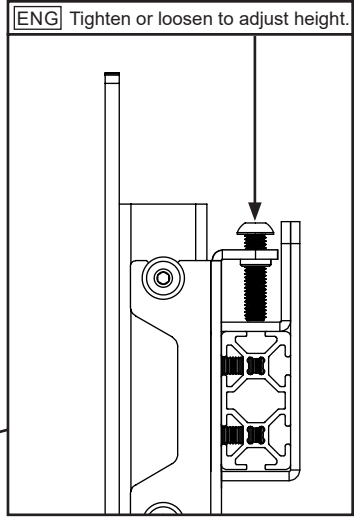
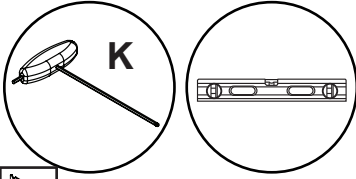


ENG Optional leveling for bowed walls



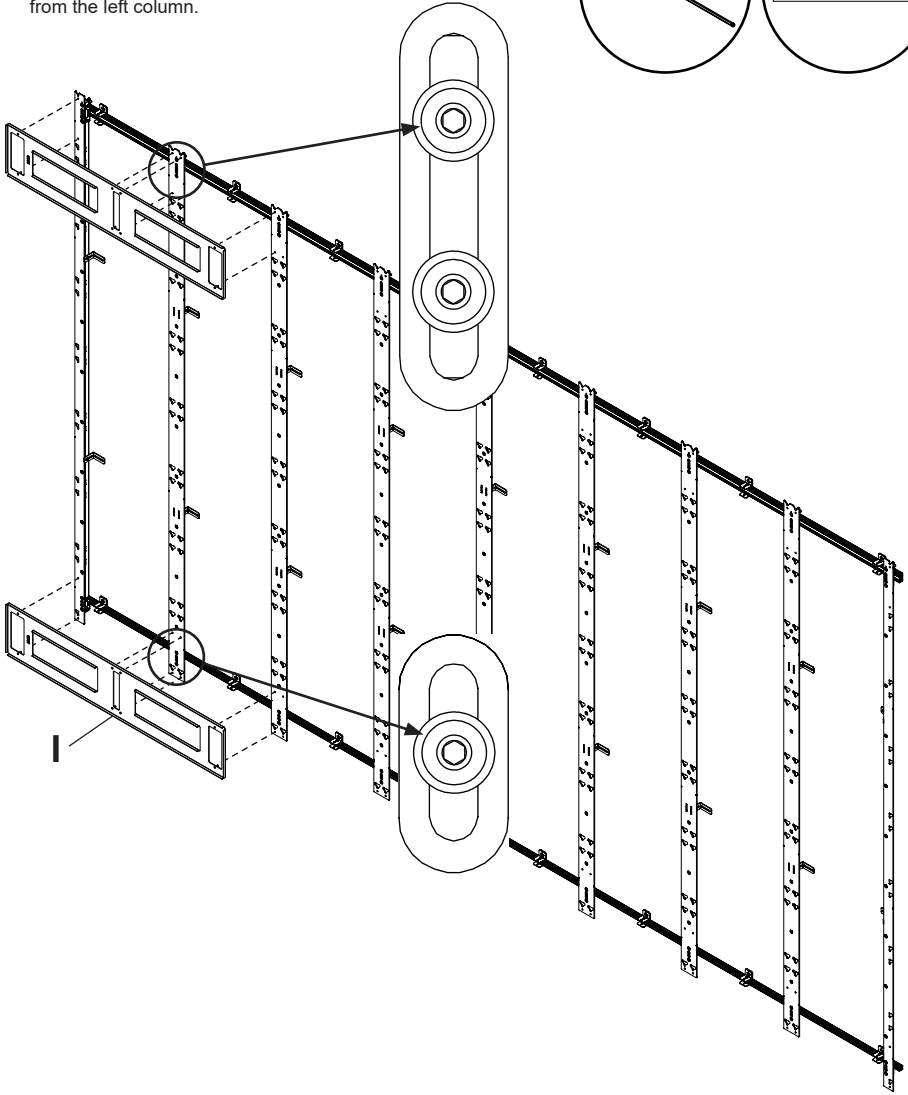
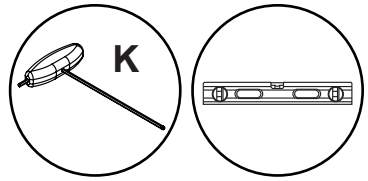
6-5

ENG With the string still attached, level the height of each column.



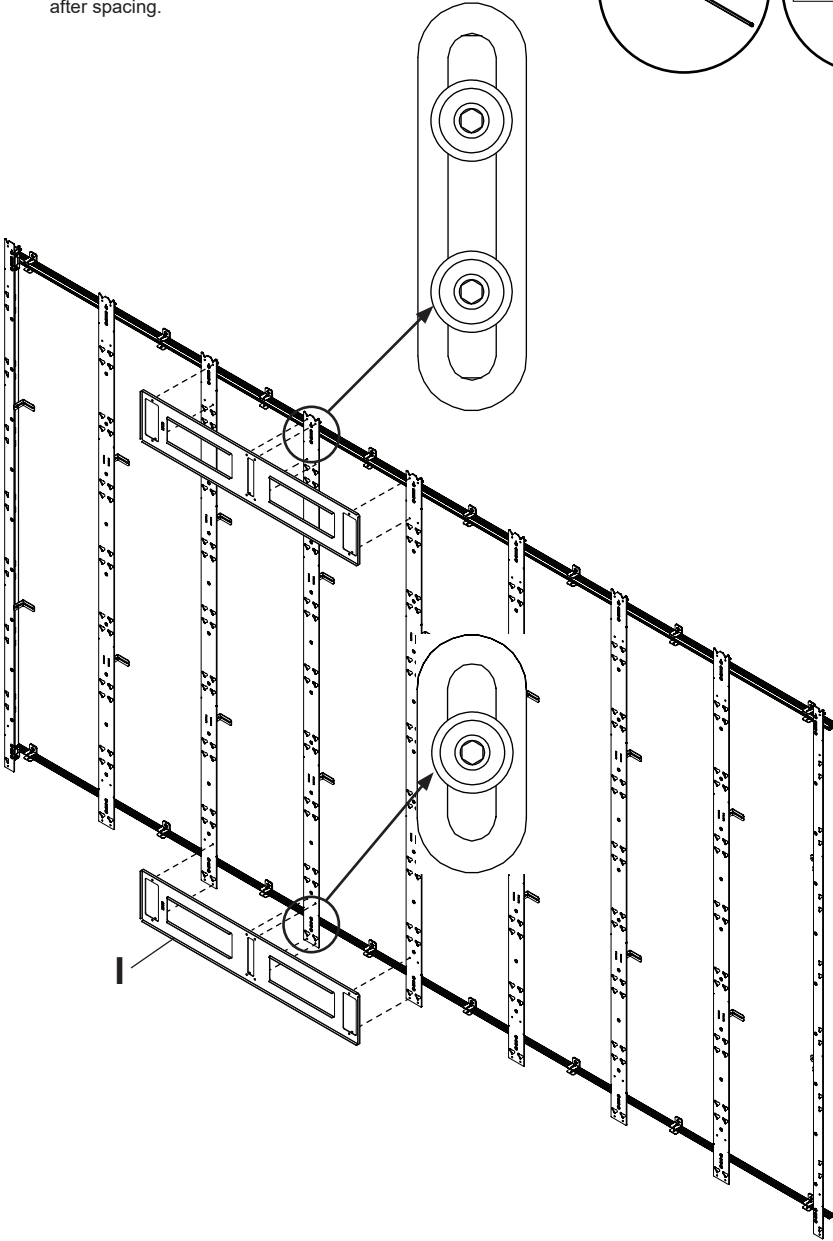
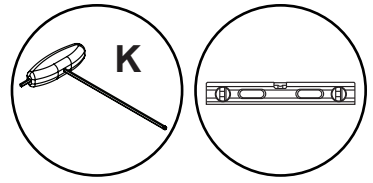
6-6

ENG Adjust inner columns to fit horizontal spacers.
Tighten column hardware after spacing. Start
from the left column.



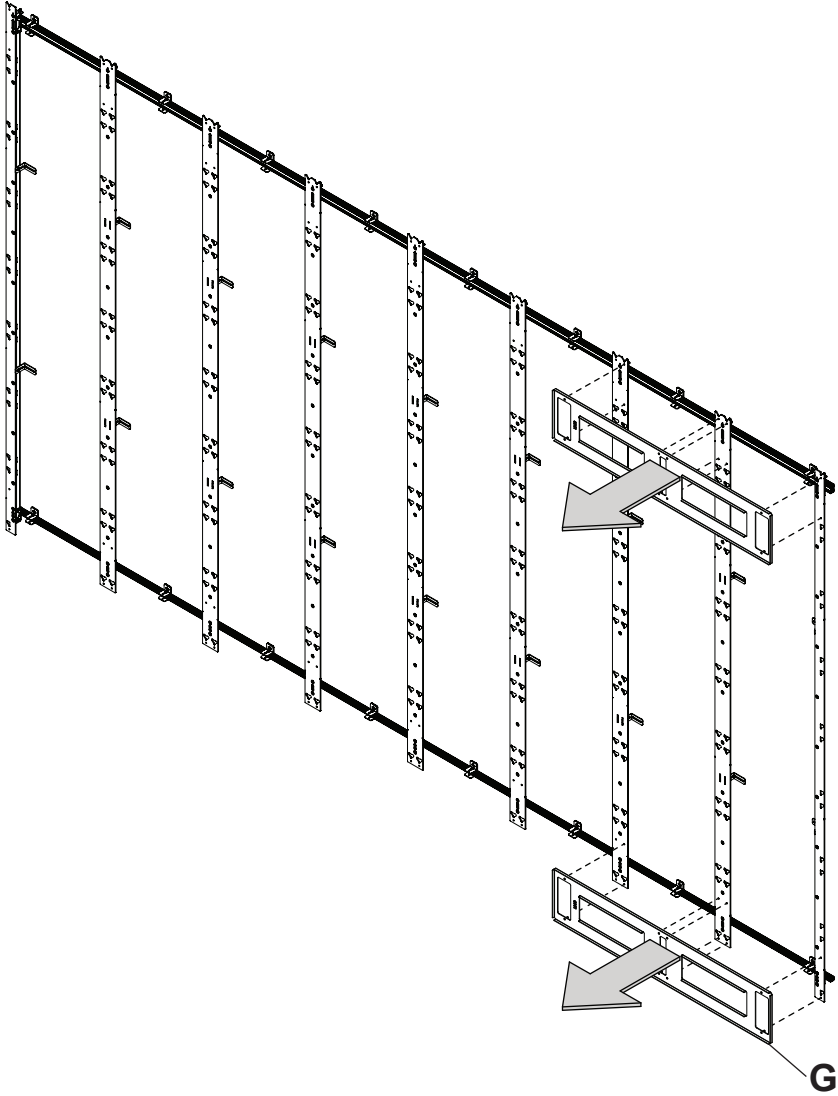
6-7

ENG Continue adjusting inner columns to fit horizontal spacers until all are level. Tighten column hardware after spacing.

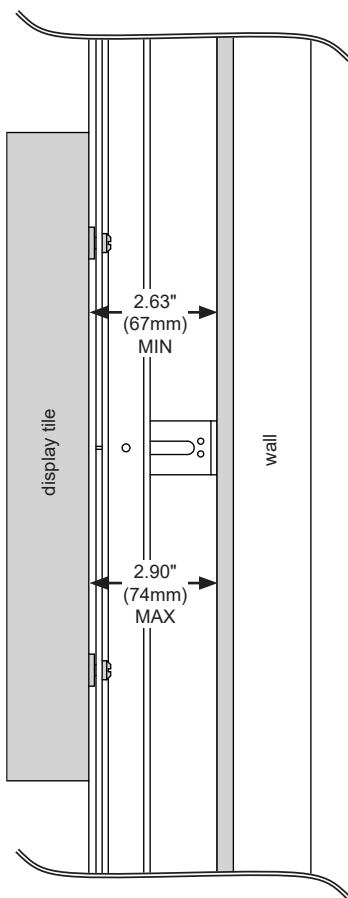
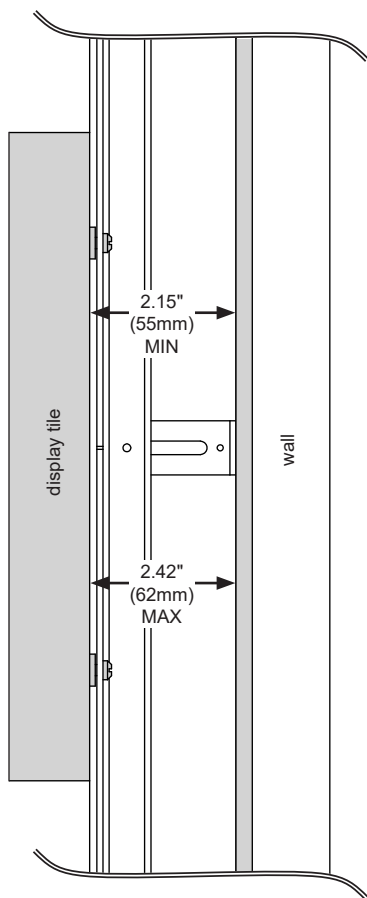
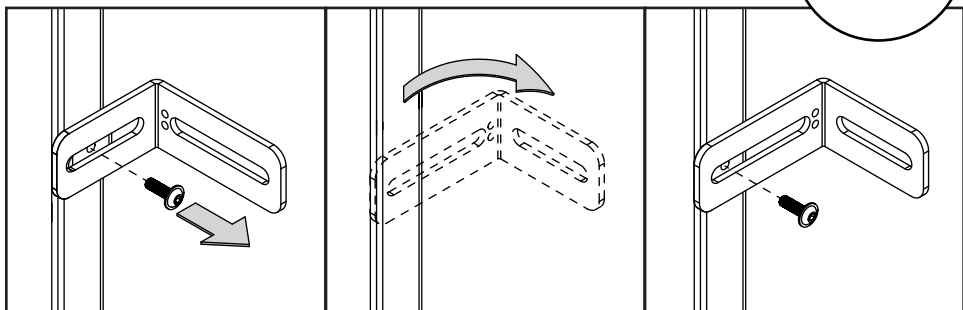
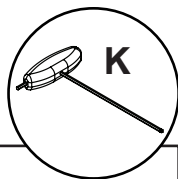


6-8

ENG Remove all spacers.

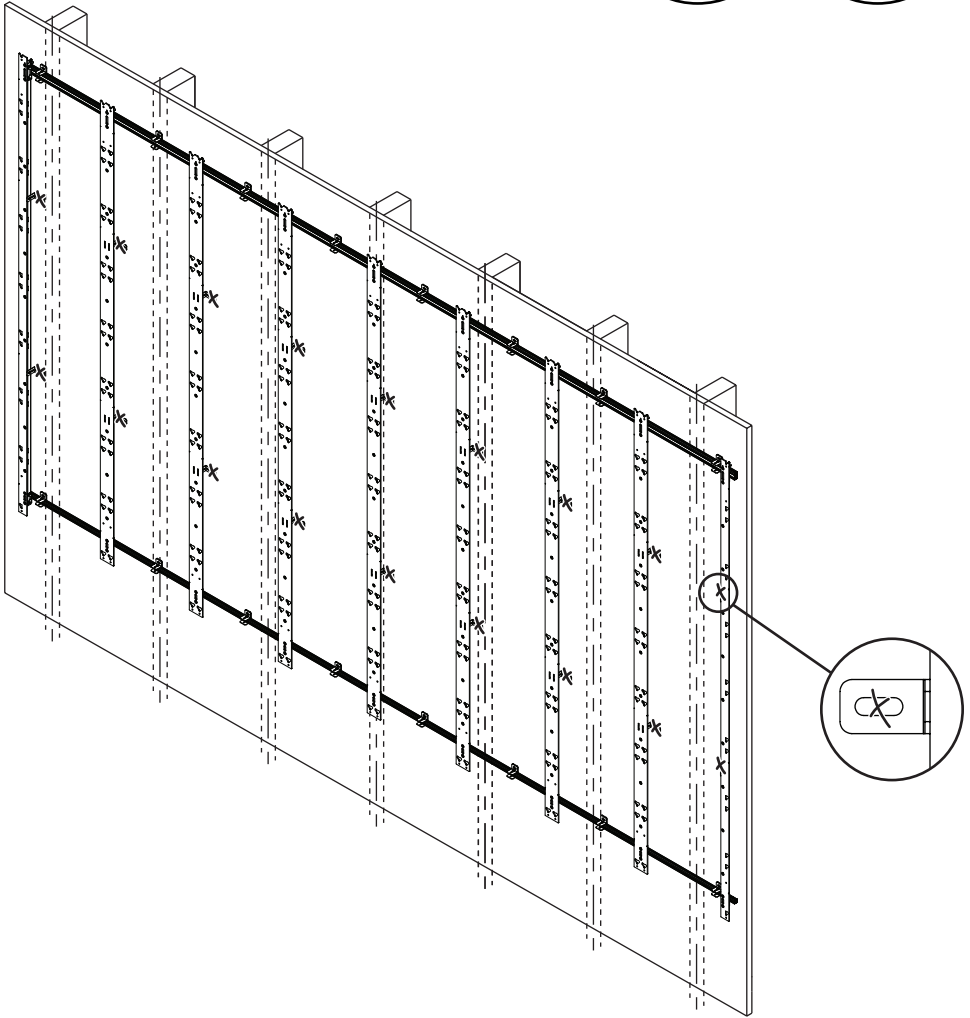
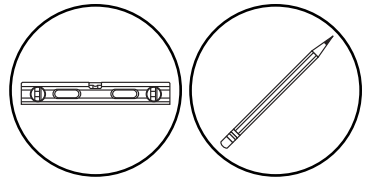


ENG Optional: Flip wall bracket for additional depth as shown.

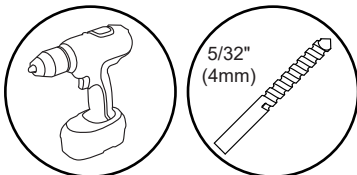


8-1

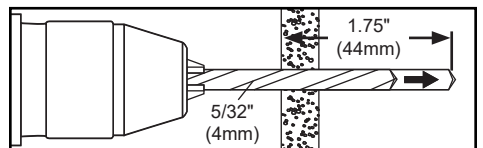
ENG Level L brackets and mark mounting holes on plywood (must be minimum Grade BC, 1/2" (13mm) thick.)



8-2

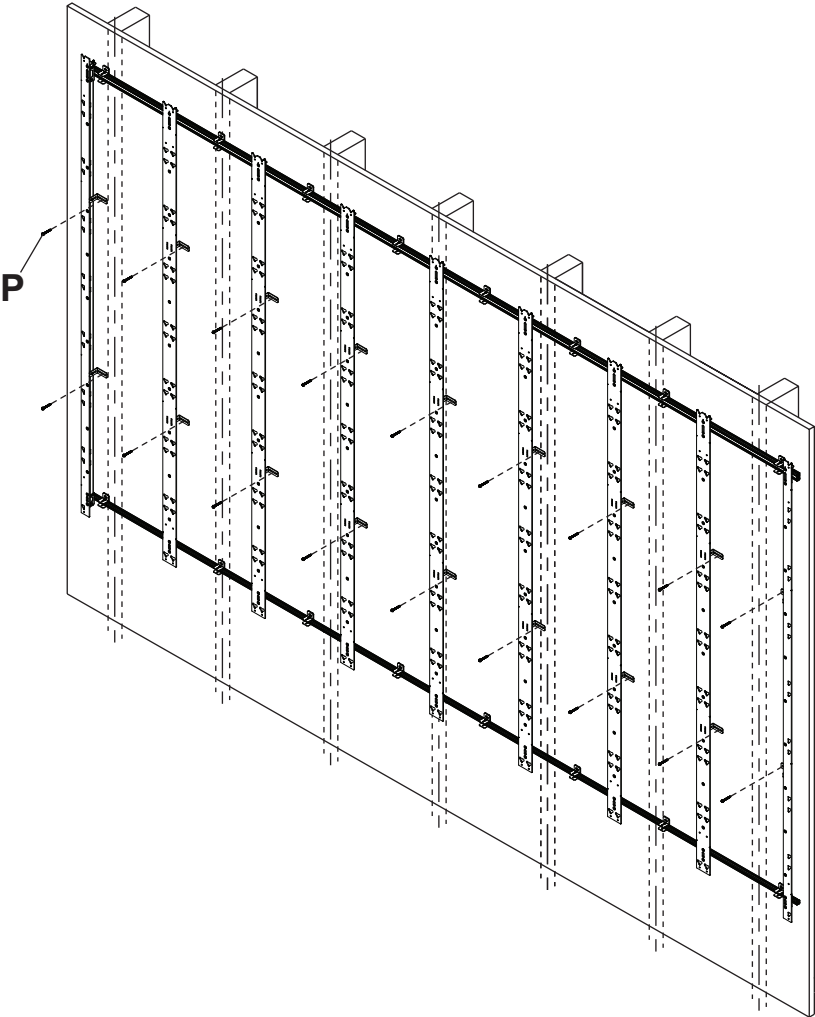
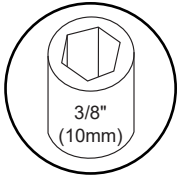
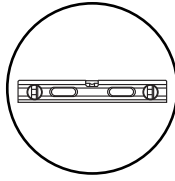
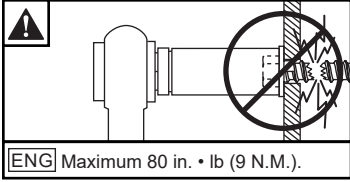


ENG Drill mounting holes into supporting surface (1.75" (44mm) minimum depth required).



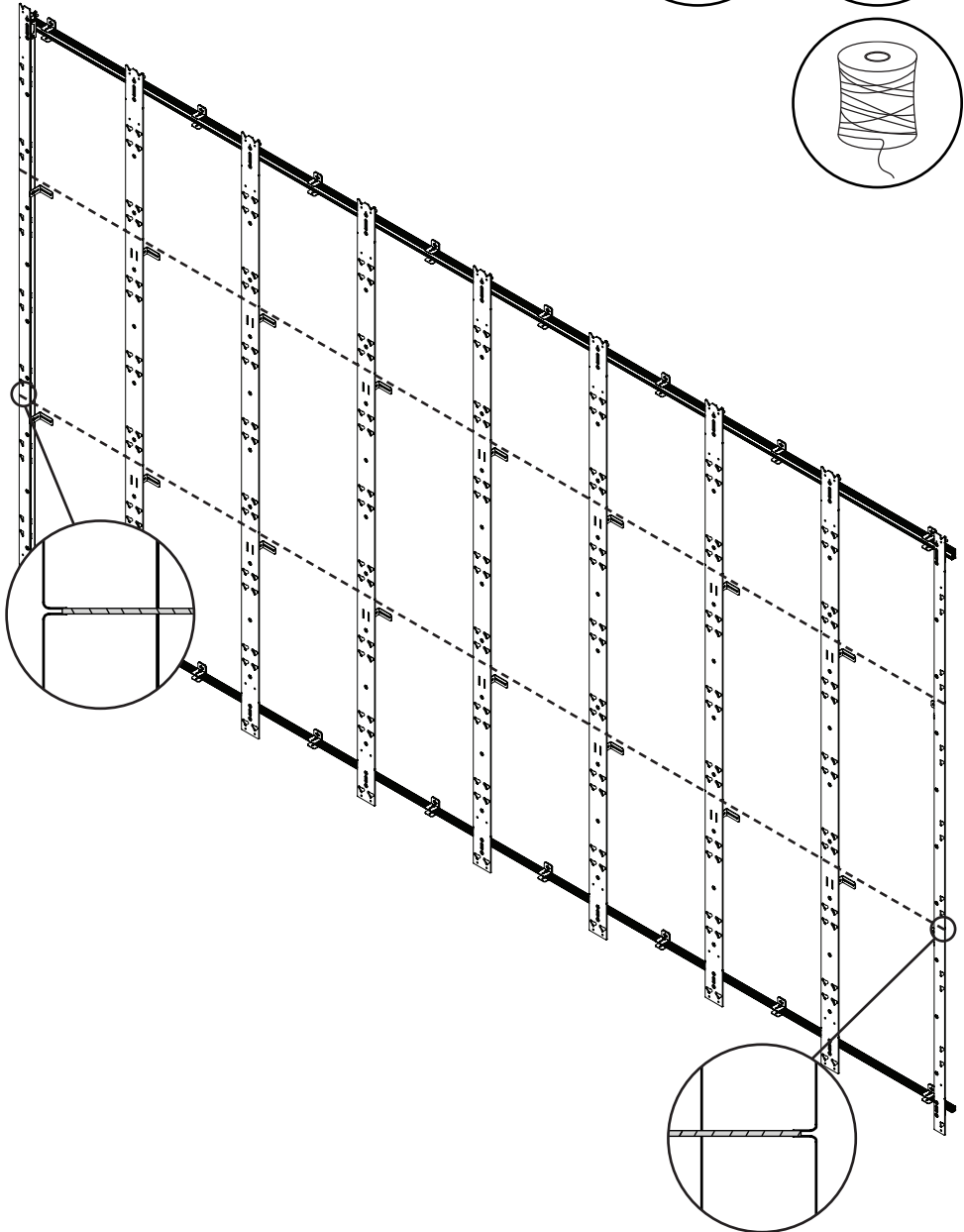
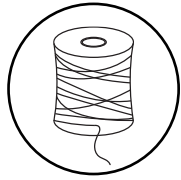
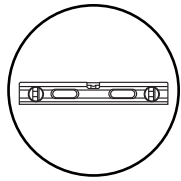
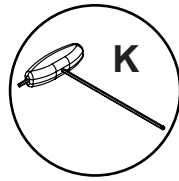
8-3

ENG Level L brackets. Install using wood screws provided.



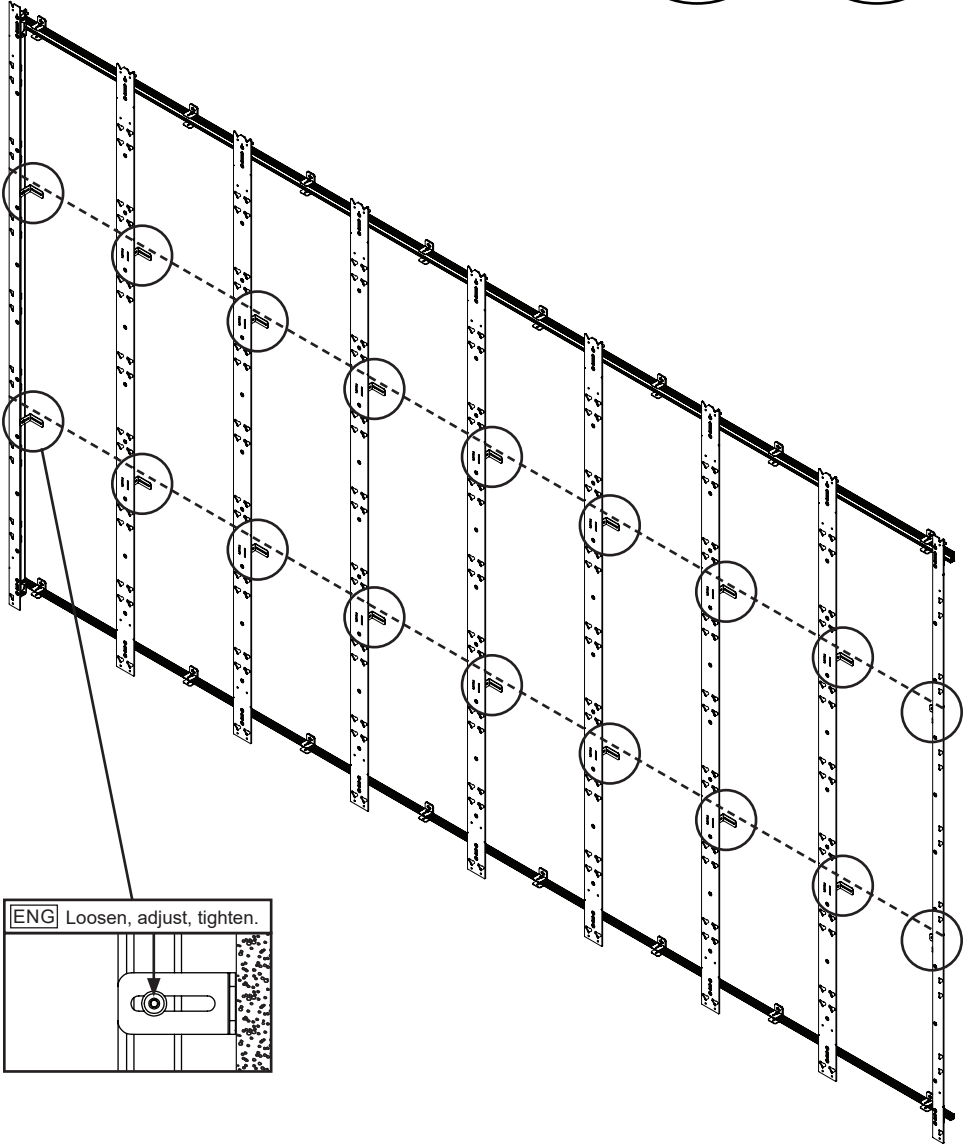
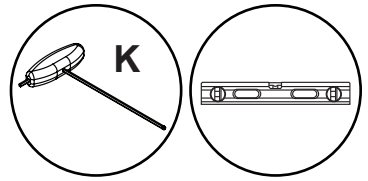
8-4

ENG Tie a string between center slots on outer columns in order to level the depth of each.



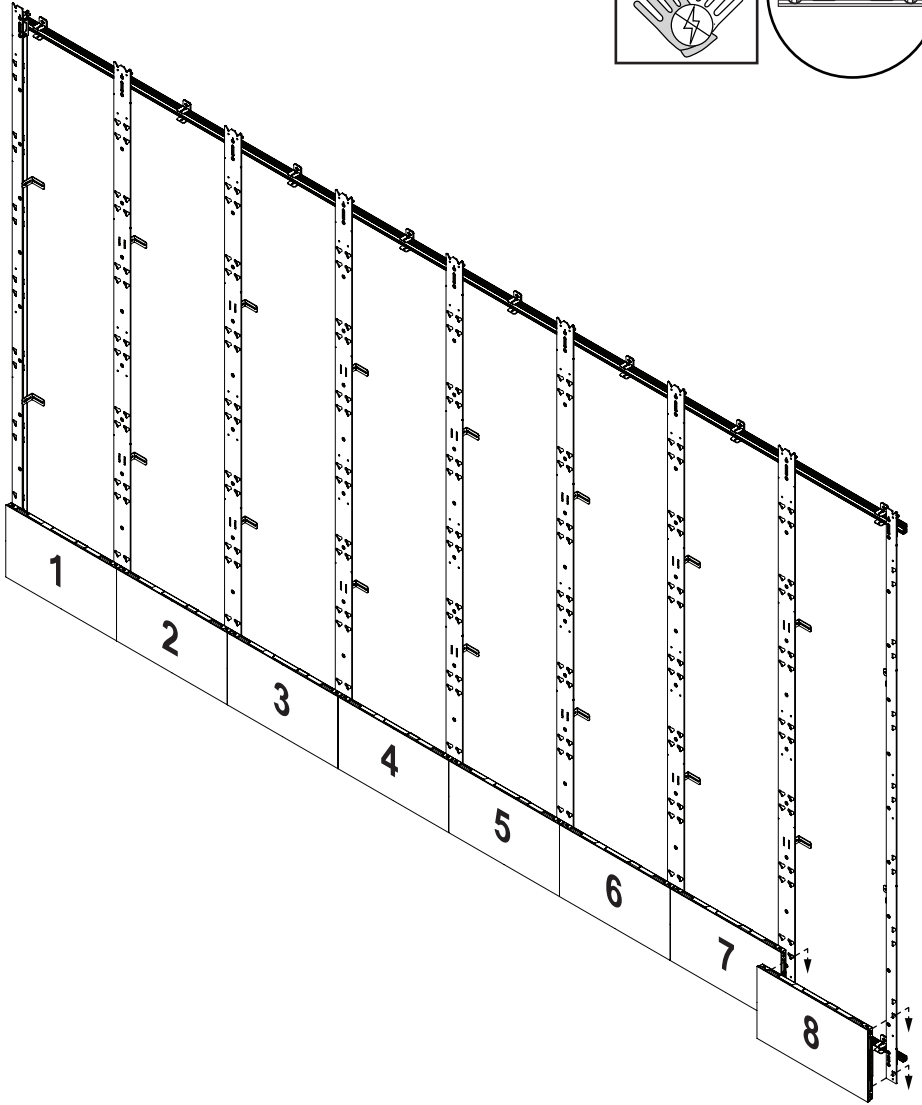
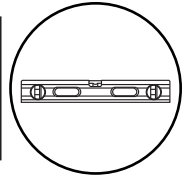
8-5

ENG Adjust depth, then remove string.

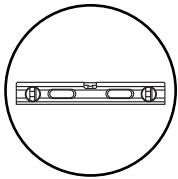


9-1

ENG Attach display, tighten connecting hardware, and run cables one at a time starting from the bottom left.



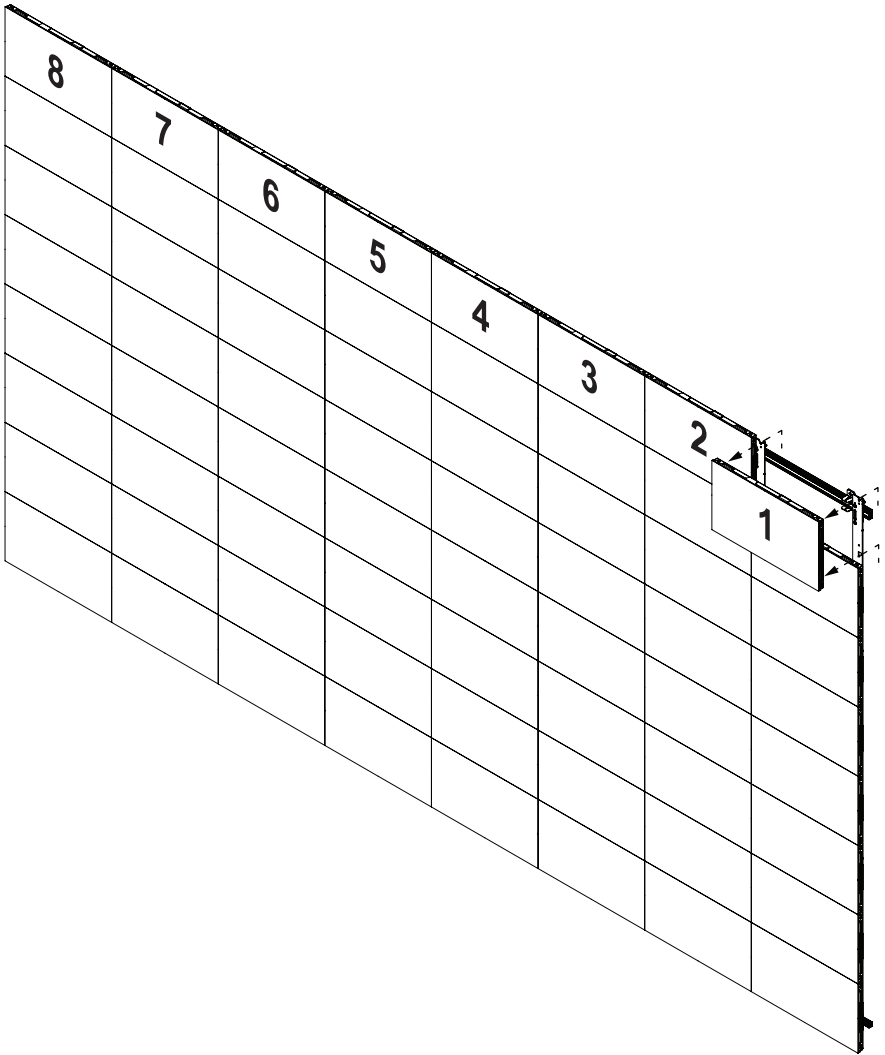
9-2



57	58	59	60	61	62	63	64	
49	50	51	52	53	54	55		
41	42	43	44	45	46	47		
33	34	35	36	37	38	39		
25	26	27	28	29	30	31		
17	18	19	20	21	22	23		
9	10	11	12	13	14	15		
						16		

10

ENG To remove, start from the top right.



ENG Warranty
ITL Garanzia

ESP Garantía
ČES Záruka

FRN Garantie
SLK Záruka

DEU Garantie
POR Garantia

NEL Garantie
TÜR Garanti

www.peerless-av.com/warranty

peerless-AV[®]

Peerless-AV

2300 White Oak Circle
Aurora, IL 60502
Email: tech@peerlessmounts.com
Ph: (800) 865-2112
Fax: (800) 359-6500
www.peerless-av.com

© 2021, Peerless Industries, Inc.

Peerless-AV Europe

Unit 3 Watford Interchange,
Colonial Way, Watford, Herts,
WD24 4WP, United Kingdom
Customer Care
44 (0) 1923 200 100
www.peerless-av.com

© 2021, Peerless Industries, Inc.

Peerless-AV América Latina

Av. de las Industrias 413
Parque Industrial Escobedo
General Escobedo N.L., México 66062
Servicio al Cliente
01-800-849-65-77
www.peerless-av.com

© 2021, Peerless Industries, Inc.