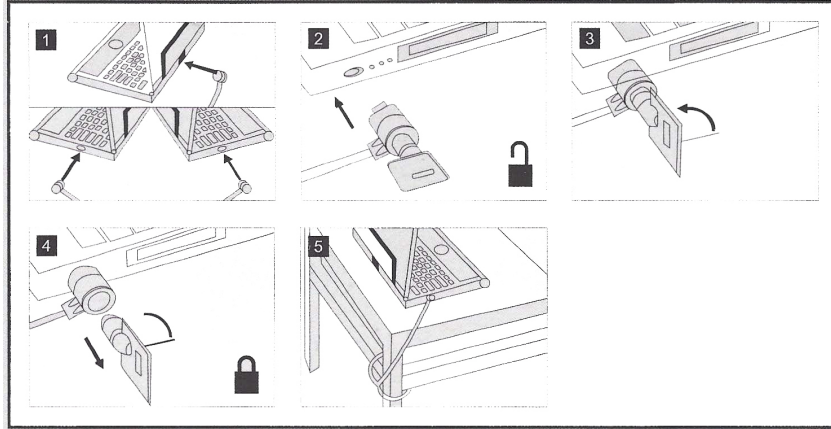
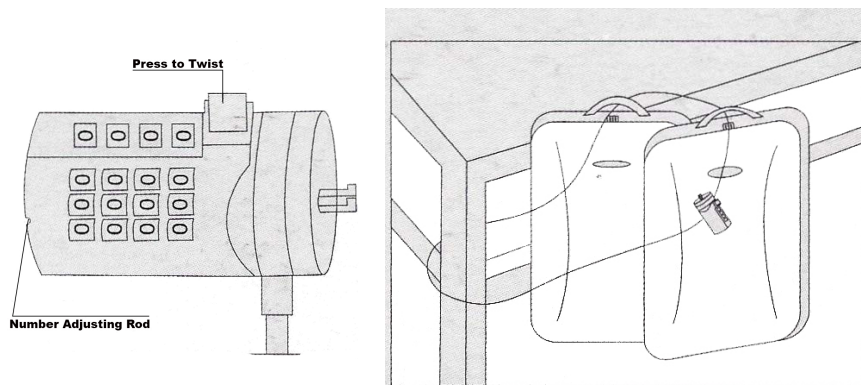


1. Common Type Lock



2. Combination Type Lock



Instructions for Combination Type Use

To set your personal combination, follow these steps:

1. Push the number-adjusting rod of lock inward (Original code is 0-0-0-0).
2. Set your combination by turning the number dials.
3. Let go of the number-adjusting rod and let it return to its original position.
4. Your new code is set!
5. Be sure to make a note of your new code.

If you want to change to a new combination, repeat steps 1-5.

