

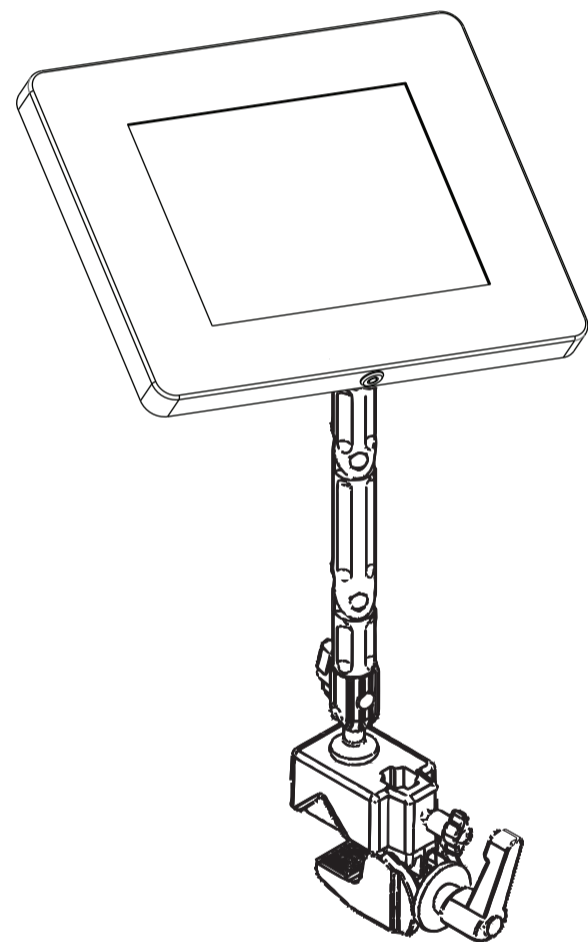


# PAD-CFDCMS10

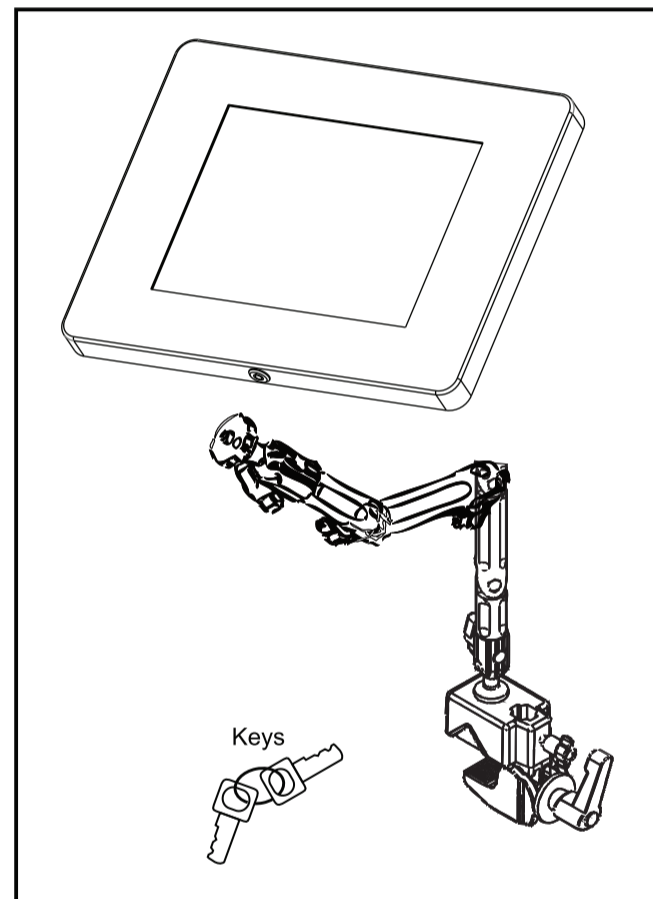
## Custom Flex Security Enclosure Clamp Mount for 9-11 Inch Tablets

### INSTRUCTION MANUAL

Thank you for choosing CTA Digital's product. We hope that you will enjoy using it. Please follow the guidelines and instructions as laid out in this instruction manual.

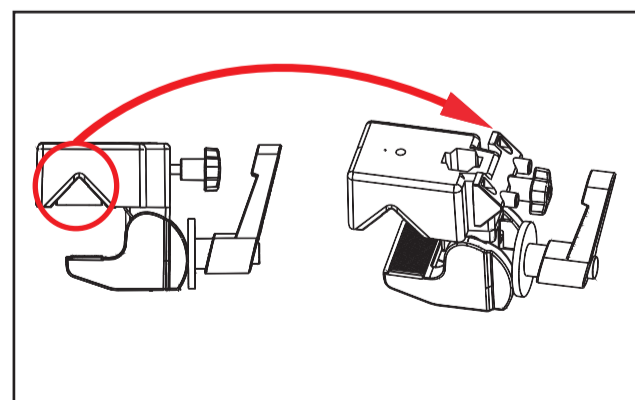


#### Package Contents:

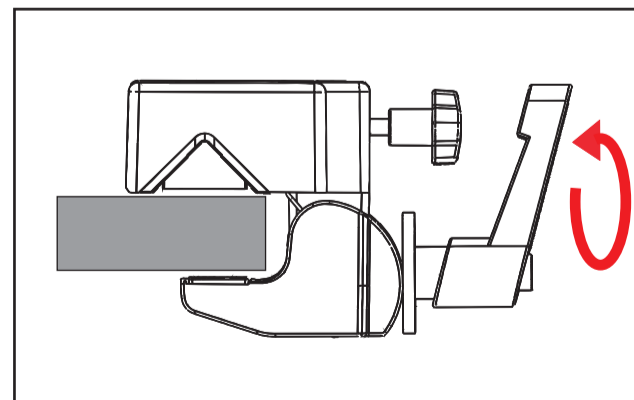


#### Instructions:

##### 1. Installing Clamp Mount to the Desk

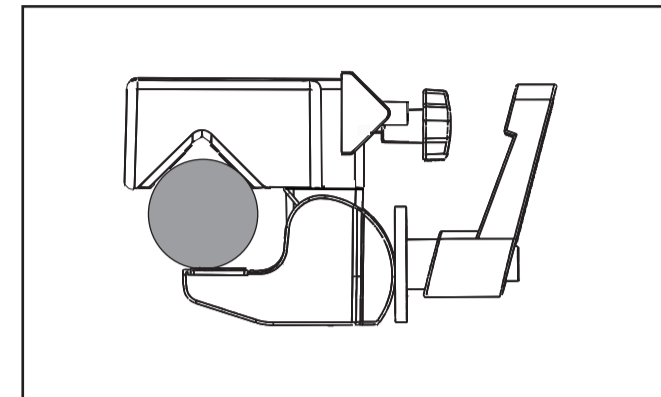


1. Put the attached plastic insert on the side into the clamp.

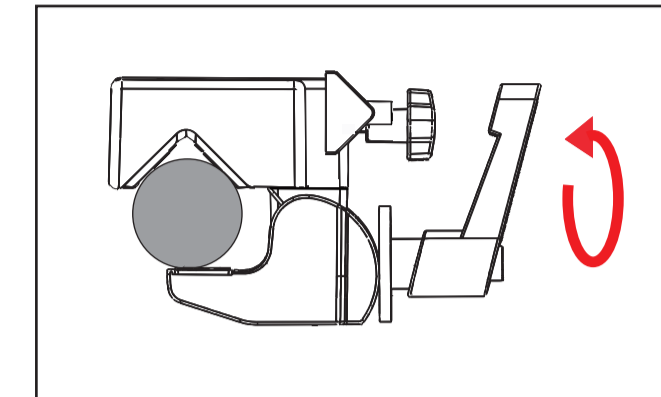


2. Clip on the clamp to the desk then twist the lever clockwise to tighten it securely.

##### 2. Installing Clamp Mount to a Pole

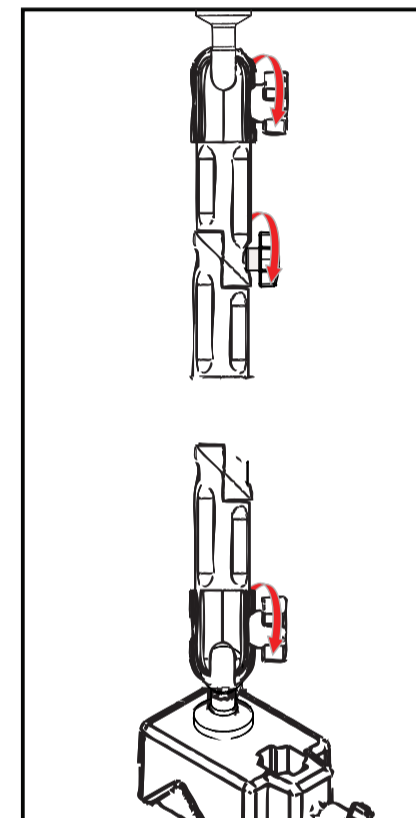


1. Clip on the clamp to the Pole.

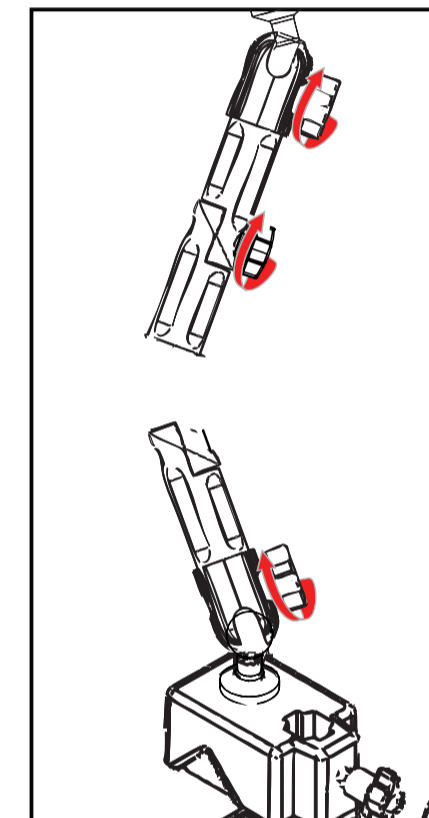


2. Twist the lever clockwise to tighten it securely.

##### 3. Adjusting the Flex Arm

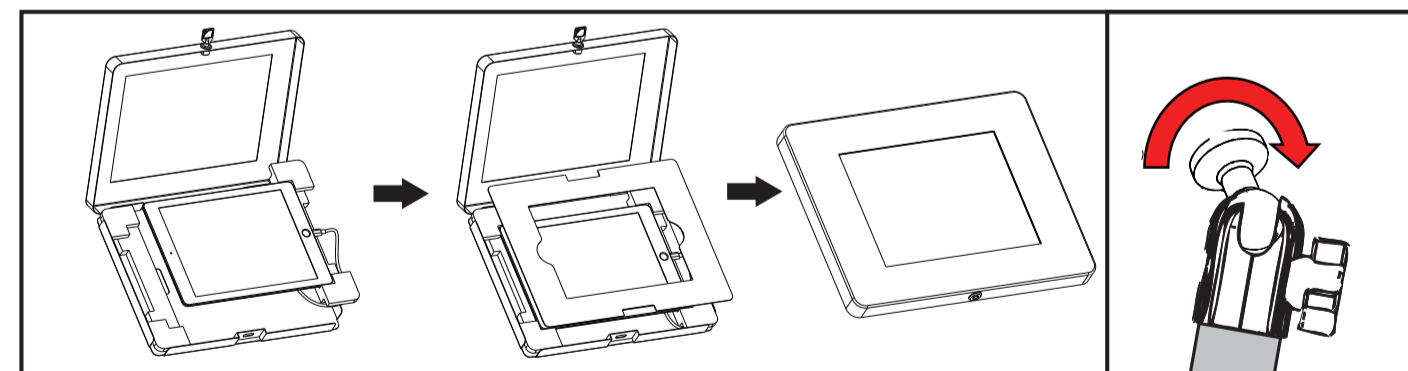


1. Twist the SCREW KNOB of the arms anticlockwise to release the connection.



2. Adjust the arms to your favorite position and then tighten the SCREW KNOB clockwise.

##### 4. Installing your Device and Adjusting the Tablet holder



2. Insert key into enclosure to open. Insert tablet into the corresponding foam adapter that fits your tablet size. Use corresponding cover for tablet size and close enclosure. Press the security button down to lock enclosure.

2. Adjust and rotate the tablet holder to change the view angle according to preference.



#### Caution

Please be sure to fasten all the screws were tightened securely while using the stand. Not for use while driving.

SUPPORT@CTADIGITAL.COM

1. Insert key into lock at back of holder. Turn counterclockwise to unlock, then slide to open. Insert tablet against fixed end, then slide down to hold tight. Turn key clockwise to lock.