



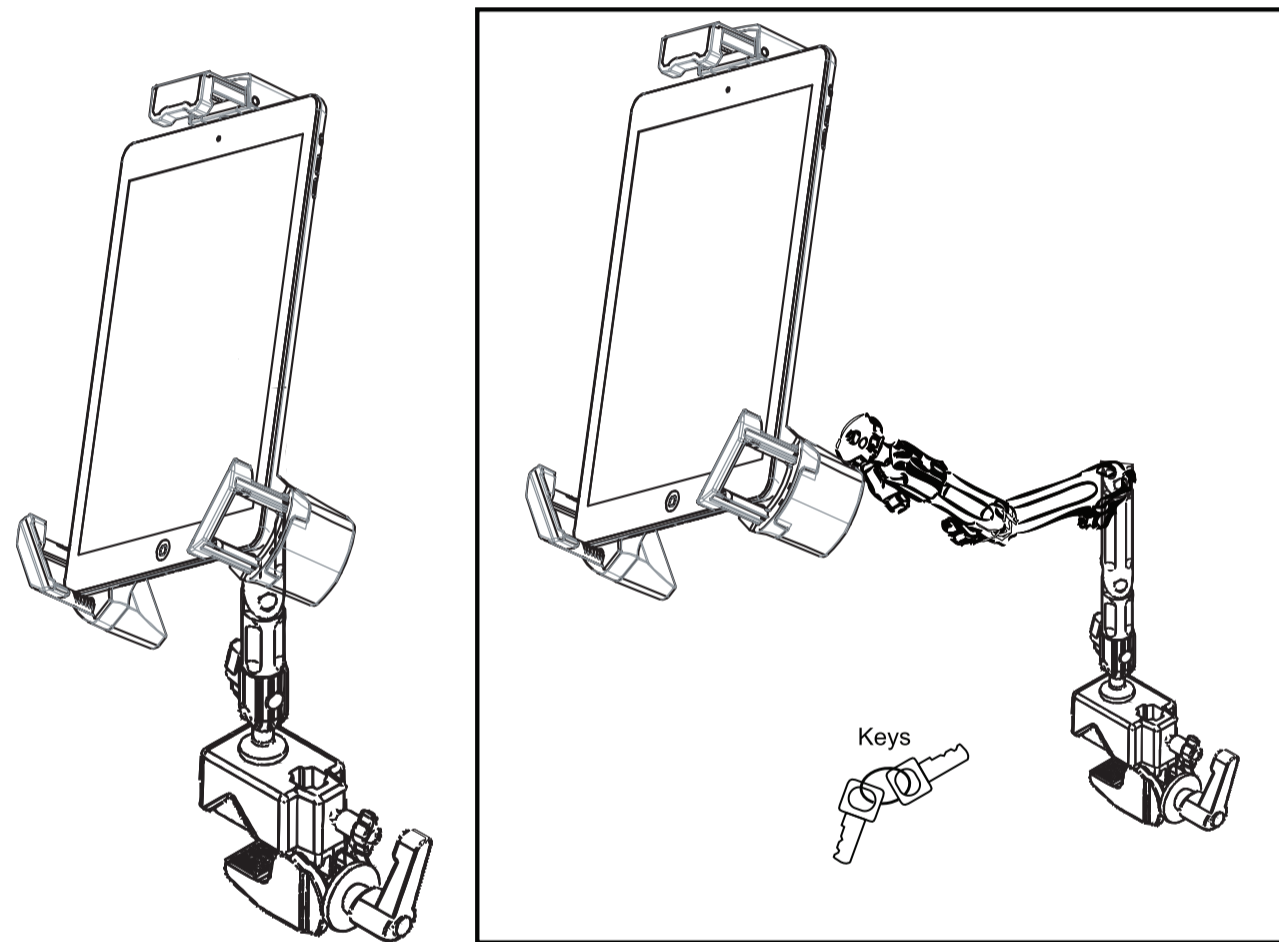
PAD-CFDCMS2

Custom Flex Security Desk Clamp Mount with Tri-Grip for 7-14 Inch Tablets

INSTRUCTION MANUAL

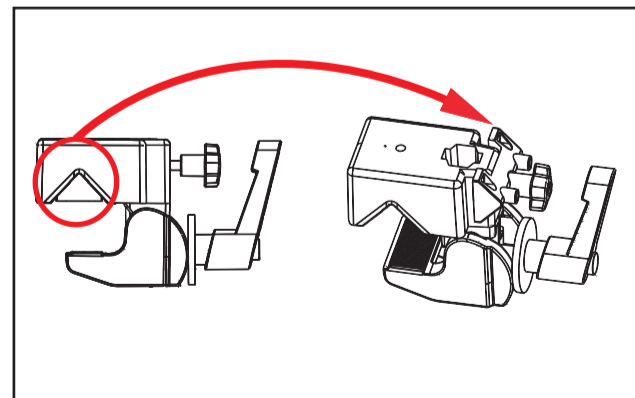
Thank you for choosing CTA Digital's product. We hope that you will enjoy using it. Please follow the guidelines and instructions as laid out in this instruction manual.

Package Contents:

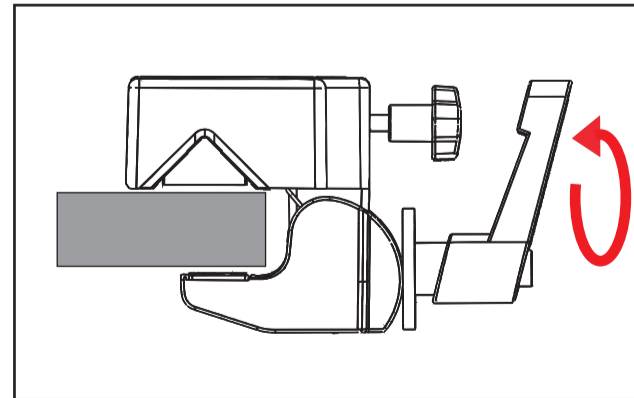


Instructions:

1. Installing Clamp Mount to the Desk

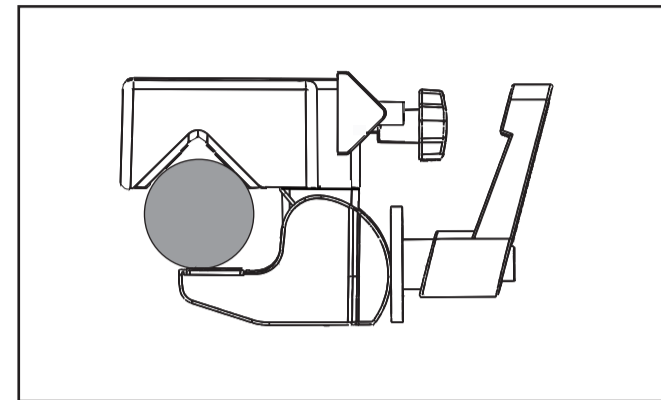


1. Put the attached plastic insert on the side into the clamp.

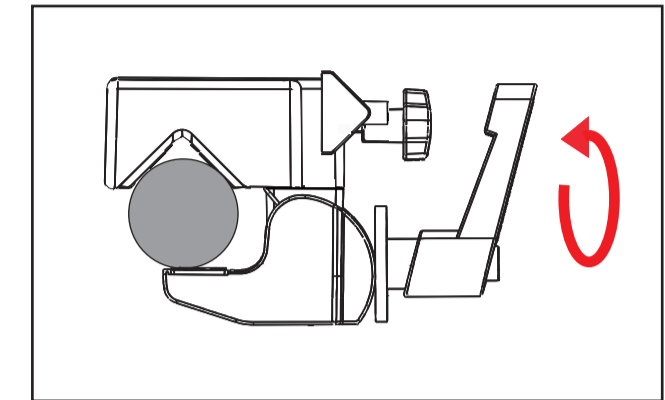


2. Clip on the clamp to the desk then twist the lever clockwise to tighten it securely.

2. Installing Clamp Mount to a Pole

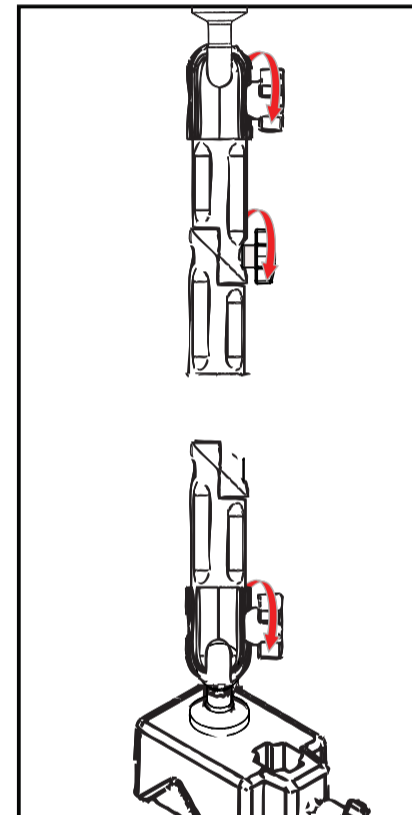


1. Clip on the clamp to the Pole.

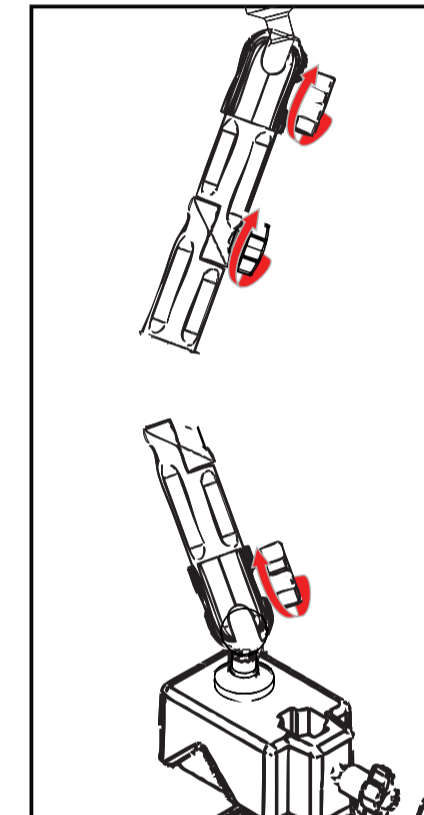


2. Twist the lever clockwise to tighten it securely.

3. Adjusting the Flex Arm

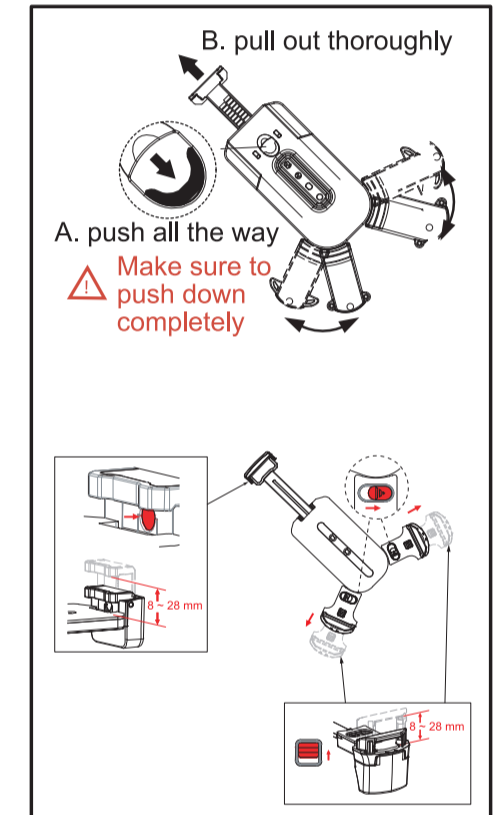


1. Twist the SCREW KNOB of the arms anticlockwise to release the connection.

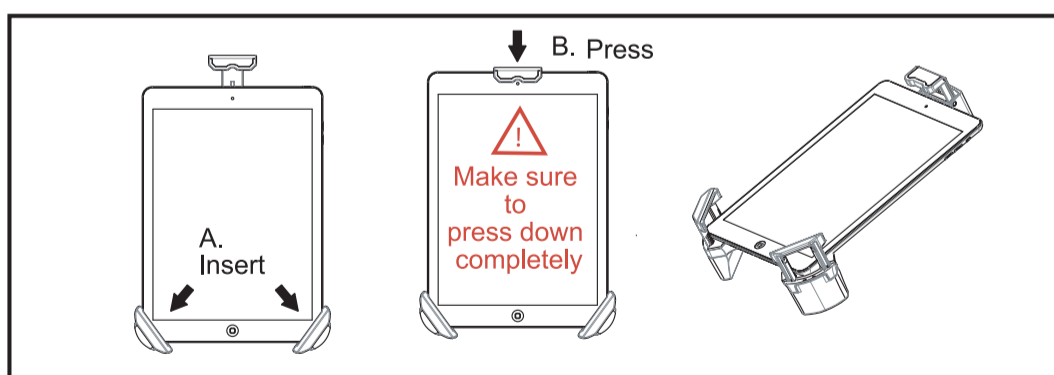


2. Adjust the arms to your favorite position and then tighten the SCREW KNOB clockwise.

4. Adjusting Tablet Holder

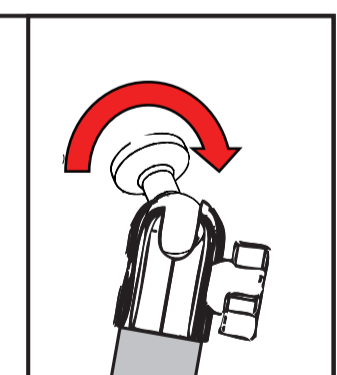


5. Installing Tablet in Holder



1. Insert tablet into tri-grip as shown. Expand or contract the arms to fit the tablet size as shown on step 4. Be sure to have tablet fit tightly into the tri-grip.

5. Adjusting the Ball Joint



1. Adjust and rotate the tablet holder to change the view angle according to preference.



Caution

Please be sure to fasten all the screws were tightened securely while using the stand. Not for use while driving.

SUPPORT@CTADIGITAL.COM