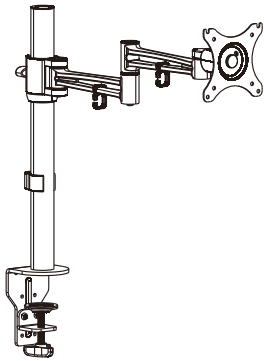


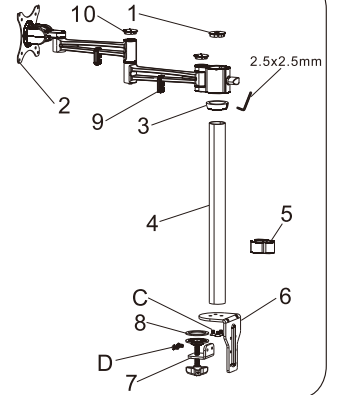
Item No.:50902

Installation guide



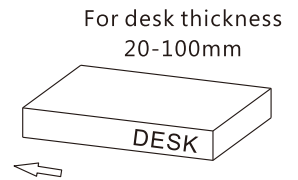
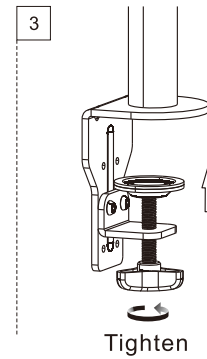
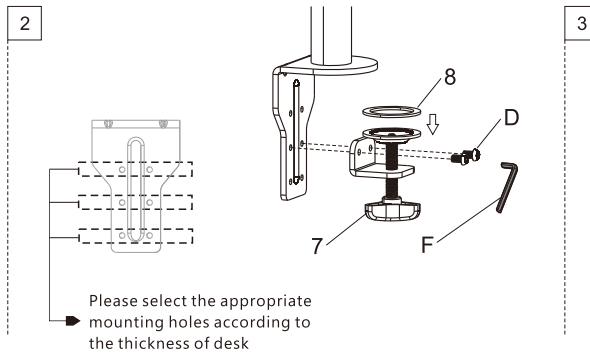
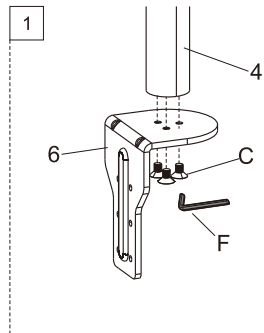
- M4x12MM A(4PCS)
- M5x12MM B(4PCS)
- M6x20MM C(3PCS)
- M6x10MM D(2PCS)
- ø6.5xø13x2 E(8PCS)
- 4X4MM F(1PCS)
- 5X5MM G(1PCS)

1. Tube Cover (1PCS)
2. Plate (1PCS)
3. Fixed wreath (1PCS)
4. Tube (1PCS)
5. Cable Cover (1PCS)
6. Bottom support (1PCS)
7. Knob (1PCS)
8. Anti-Slip rubber (1PCS)
9. Plastic parts (2PCS)
10. Decorative cover(2PCS)



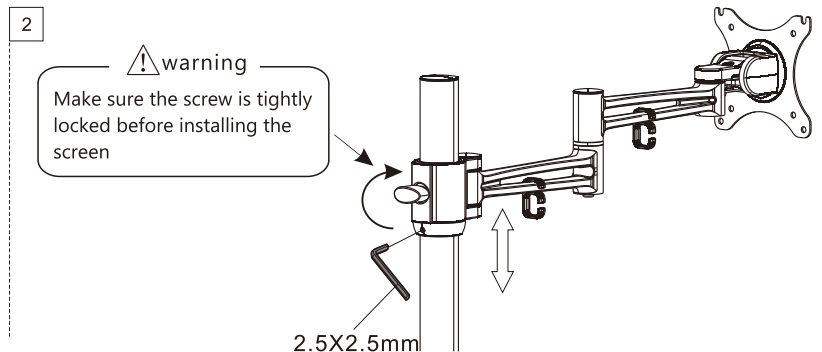
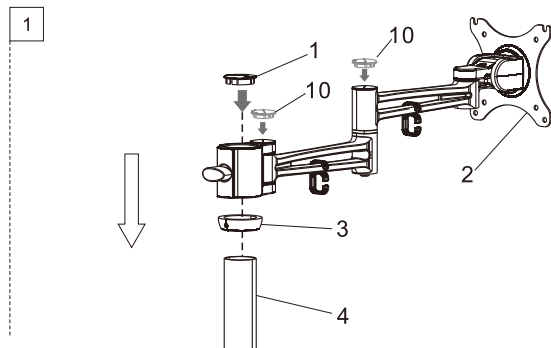
## STEP 1

Fitting the bottom support to the desk



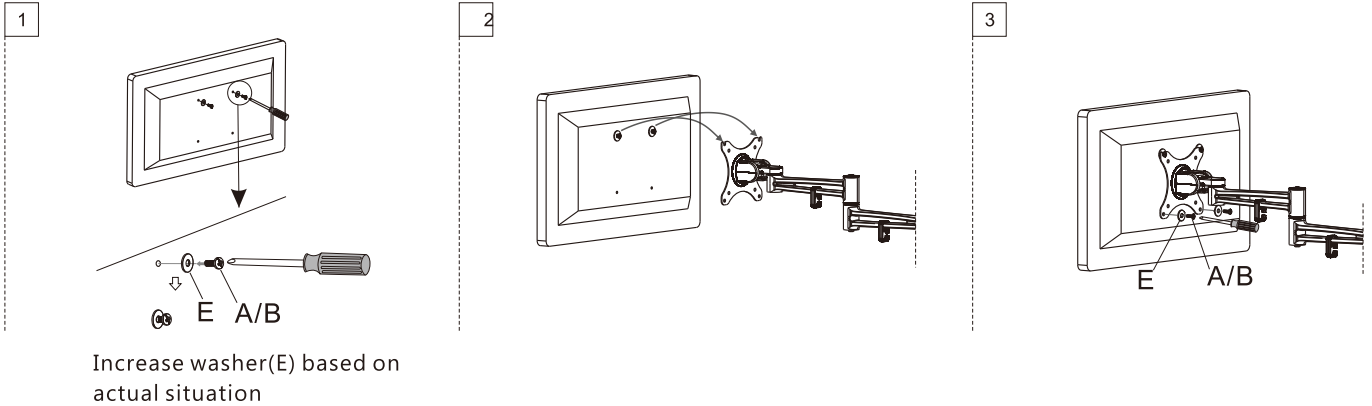
## STEP 2

Install monitor plate and fixed wreath (3)



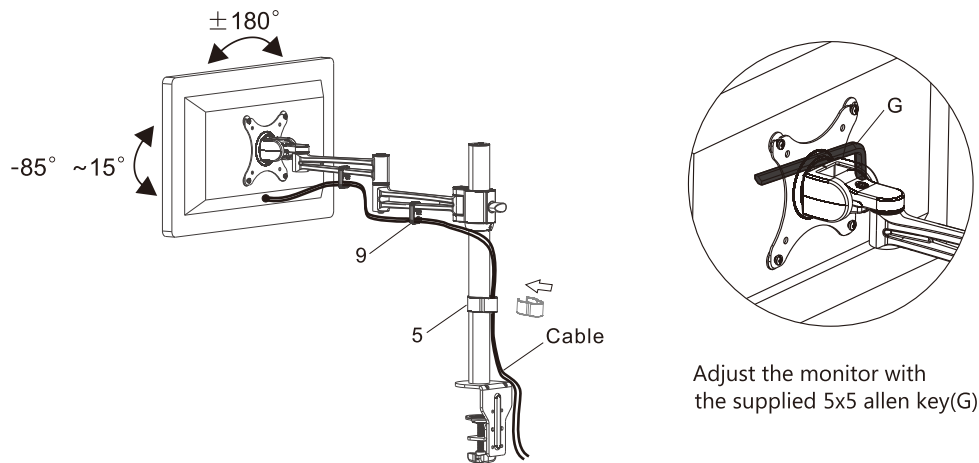
## STEP3

### Attaching plate to screen



## STEP4

### Screen adjustment



## CAUTION

This product contains small items that could be a choking hazard if swallowed. Keep these items away from young children.

- Make Sure these instructions are read and completely understood before attempting installation. If you are unsure of any part of this installation, please contact a professional installer for assistance.
- The desk or mounting surface must be capable of supporting the combined weight of the mount and the display, otherwise the structure must be reinforced.
- Please check joint parts every two months making sure the screws have not become loose.

This product was designed to be installed on the desk. Before installing, make sure the mount will support the combined load of the equipment and hardware. Never exceed the maximum load capacity 10 KG or it may result in product failure or personal injury.

Note: this product is intended for indoor use. Use of this product outdoors could lead to product failure or personal injury.