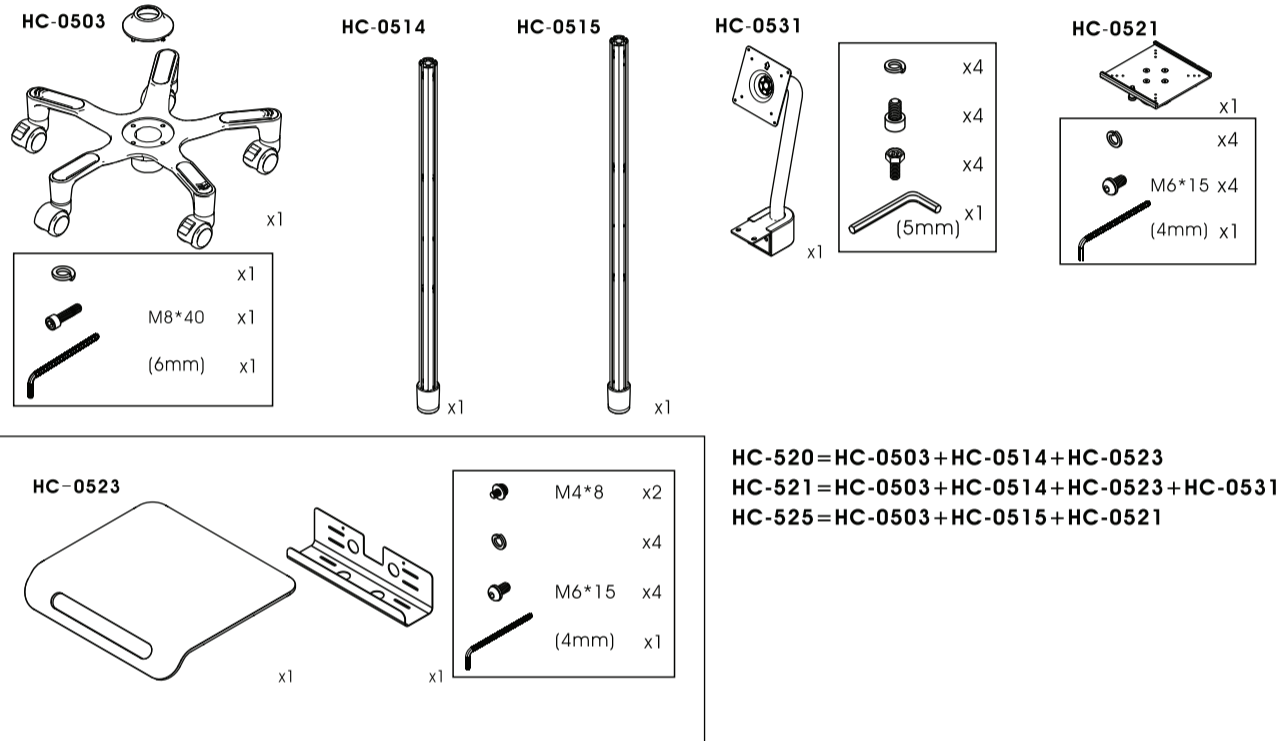




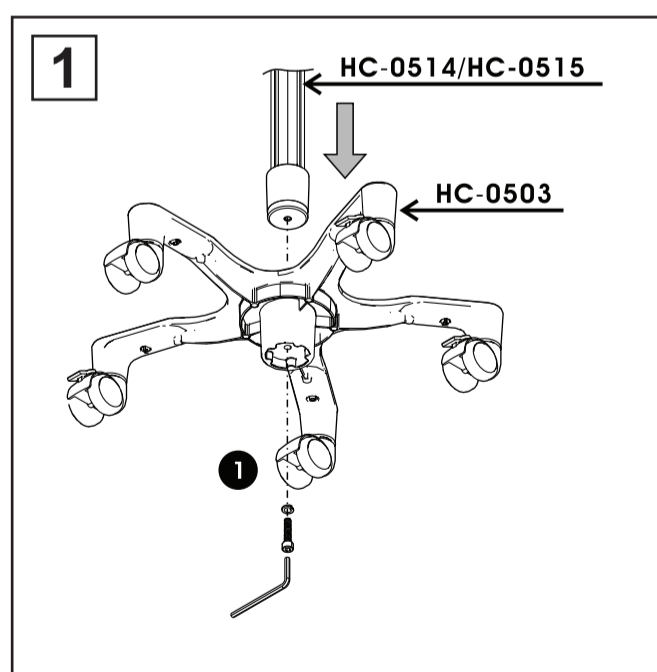
# Medical Grade Floor Stand with Paragon Premium Locking Enclosure PAD-MEDVFSE INSTRUCTION MANUAL

Thank you for choosing CTA Digital's product. We hope that you will enjoy using it. Please follow the guidelines and instructions as laid out in this instruction manual.

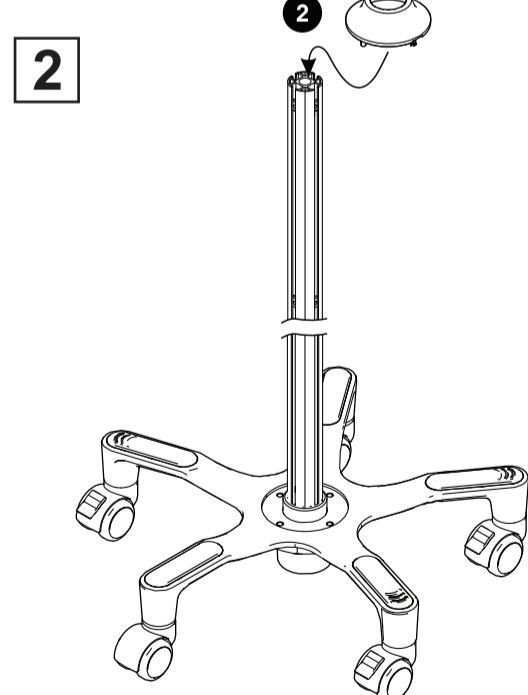
## Package Contents:



## Instructions:



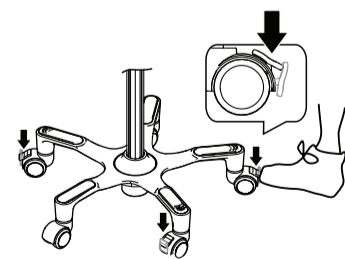
STEP 1: Place desired central pole body into the base and screw in the bolt/washer as shown with the included tools



STEP 2: Slide in the component from the top as shown and bring it to the base and lock in.

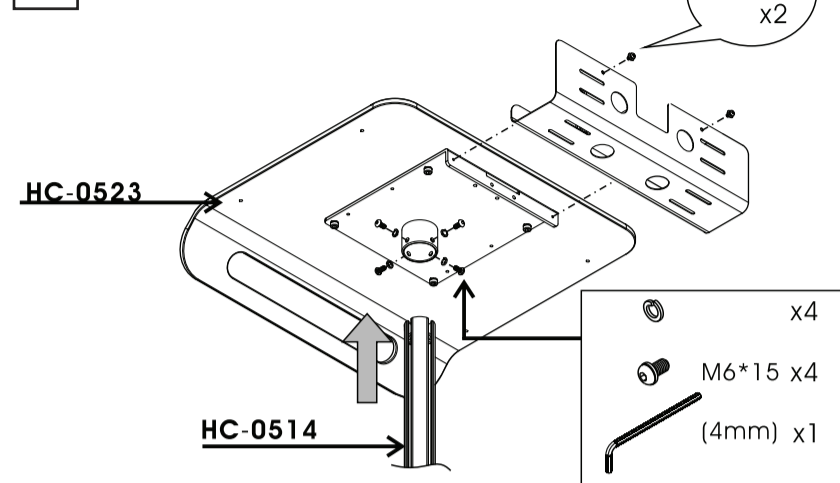
**\*HOW TO LOCK CASTERS IN PLACE TO ENABLE STATIC SETUP.**

**\*\*DISCLAIMER - PLEASE DO NOT ATTEMPT TO ROLL FLOOR STAND WHEN IN BRAKED MODE. INTEGRITY MAY BE QUESTIONABLE AND CTA DIGITAL WILL NOT BE**



**WARNING**  
When the cart is in motionless, please brake the casters.

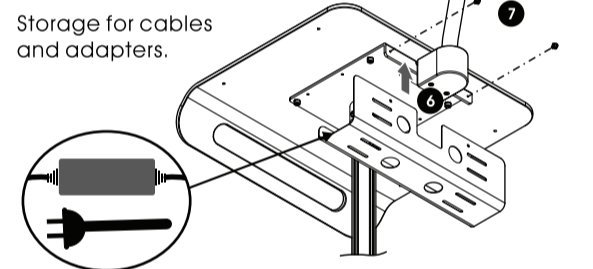
### 3 For HC-520 / HC-521



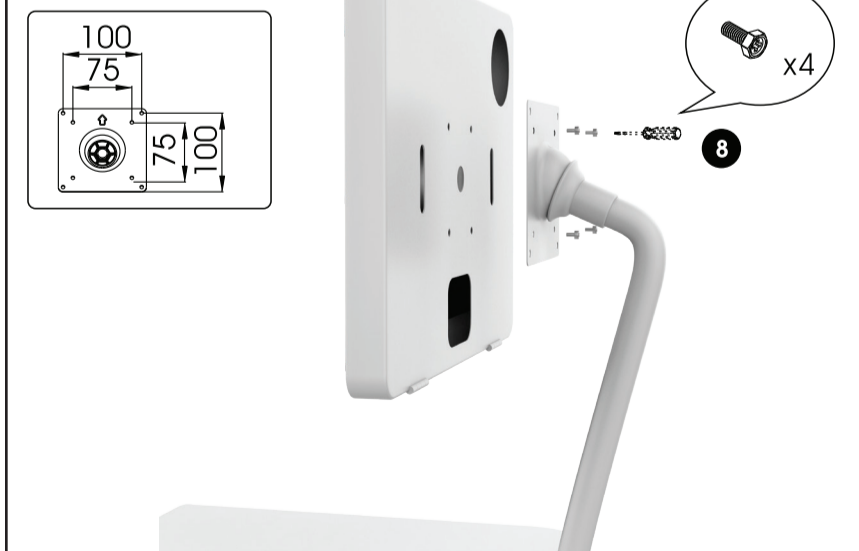
STEP 3: Place component HC-0521 on the top of the pole body and screw in as shown. Attach HC0523 and screw in. Attach storage tray afterwards with tools as shown.

### 5 For HC-521 (TOP HALF)

STEP 4: Attach component HC-0531 to the under tray component as shown

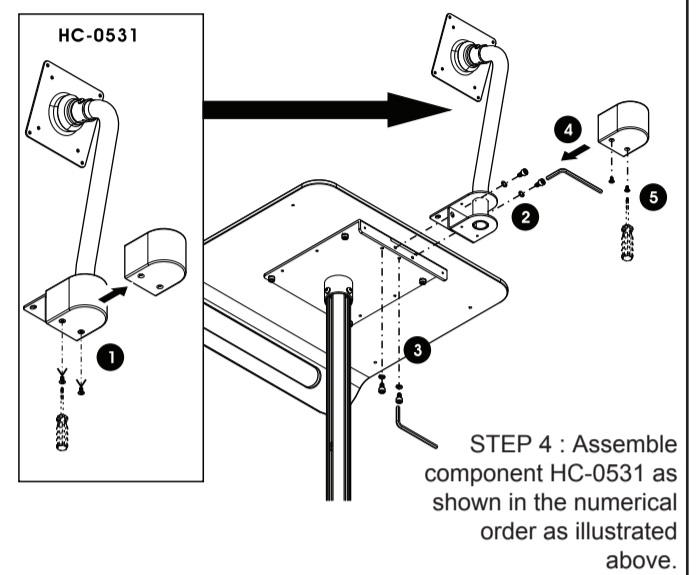


### \*HOW TO INSTALL ENCLOSURE TO VESA

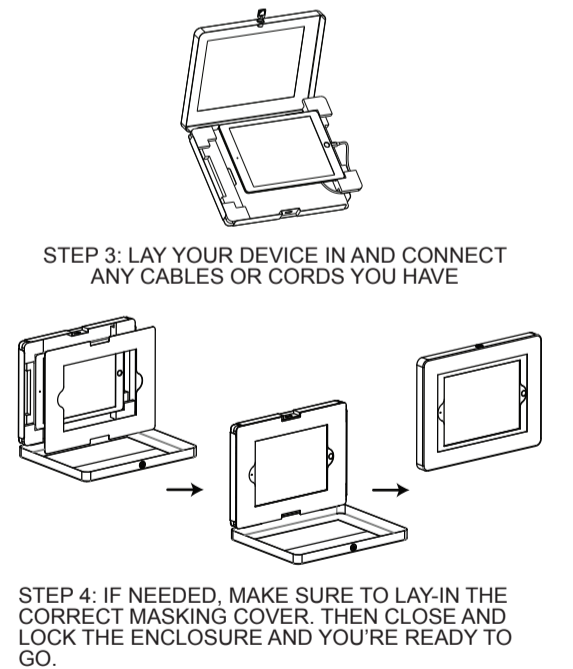
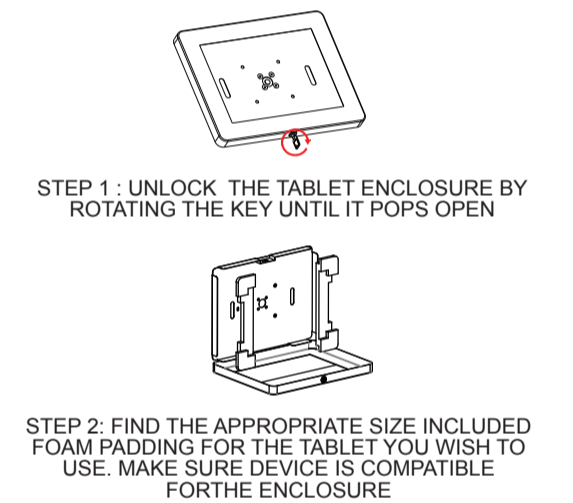


**Caution**  
Please be sure to fasten all the screws securely before using. Failure to do so may compromise integrity.

### 4 For HC-521 (TOP HALF)



### \*HOW TO SETUP ENCLOSURE AND DEVICE (DEVICE NOT INCLUDED)



SUPPORT@CTADIGITAL.COM