

# Owner's Manual

## SmartOnline® S3M 3-Phase UPS Systems

Models: S3M10K1B, S3M10K2B, S3M10K3B, S3M10K-NIB, S3M15K2B,  
S3M15K3B, S3M15K-NIB, S3M20K3B, S3M20K-NIB

Input: 120/127V (Ph-N), 208/220V (Ph-Ph), 3Ø 4-Wire + PE

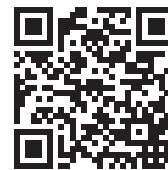


Español 73 • Français 144

### WARRANTY REGISTRATION

Register your product today and be automatically entered to win an ISOBAR® surge protector in our monthly drawing!

[tripplite.com/warranty](http://tripplite.com/warranty)



1111 W. 35th Street, Chicago, IL 60609 USA • [tripplite.com/support](http://tripplite.com/support)

Copyright © 2021 Tripp Lite. All rights reserved.

# Table of Contents

<b>1. Introduction</b>	<b>4</b>	<b>3.11 Single UPS Installation</b>	<b>27</b>
<b>2. Important Safety Instructions</b>	<b>6</b>	<b>3.12 Single Input Power Cable Connection</b>	<b>28</b>
2.1 UPS Location Warnings	6	3.12.1 Single Input (Mains) Connection	29
2.2 Equipment Connection Warnings	6	<b>3.13 Dual Input (Mains and Bypass) Connection</b>	<b>30</b>
2.3 Battery Warnings	6	<b>3.14 UPS Installation for Parallel Systems</b>	<b>31</b>
2.4 Transportation and Storage	7	3.14.1 Parallel Cable Installation	31
2.5 Preparation	7	3.14.2 Parallel System Requirements	32
2.6 Installation	7	<b>3.15 External Battery Connection</b>	<b>33</b>
2.7 Connection Warnings	8	3.15.1 Installation and Setup	34
2.8 Operation	8		
2.9 Standard Compliance	8		
<b>3. Installation and Wiring</b>	<b>9</b>	<b>4. Operation</b>	<b>35</b>
3.1 Important Safety Warning	9	<b>4.1 Operation Modes</b>	<b>35</b>
3.2 Package Inspection	9	4.1.1 AC Line Mode	35
3.2.1 External Inspection	9	4.1.2 Battery Mode	35
3.2.2 Internal Inspection	9	4.1.3 Bypass Mode	36
3.2.3 Package Contents	9	4.1.4 ECO Mode	36
3.3 Mechanical Data	10	4.1.5 Maintenance Mode	37
3.3.1 Dimensions	10	<b>4.2 Turning the UPS On/Off</b>	<b>37</b>
3.3.2 Physical Requirements	11	4.2.1 Basic Startup	37
3.4 Unpacking the UPS	12	4.2.2 UPS Shutdown	37
3.5 Overview	13	4.2.3 Cold Start	38
3.6 LCD Control Panel, LEDs and Alarms	15	4.2.4 Transfer to Maintenance Bypass Mode	38
3.6.1 Introduction: LCD Display	15	4.2.5 Transfer from Maintenance Bypass Mode to Online or ECO Mode	38
3.6.2 Introduction: Audible Alarms	15	<b>4.3 Alarms, LEDs and the LCD Display</b>	<b>39</b>
3.7 Installation Notes	16	4.3.1 Overview of Audible Alarms and LED Indicators	39
3.8 External Protective Devices	17	4.3.2 LCD Control Panel Introduction	39
3.8.1 External Battery	17	4.3.3 Main Page: Default Display	40
3.8.2 UPS Output	17	4.3.4 Status Screen	41
3.8.3 Over-Current Protection	17	4.3.5 Alarm Interface	44
3.9 Internal Battery Installation Procedure for UPS Models with No Internal Batteries (-NIB Models)	17	4.3.6 Setting Screen	46
3.9.1 UPS and Battery Cabinet Compatibility	18	4.3.6.1 Basic Setting Screen	46
3.9.2 UPS Internal battery Cable Connectors	18	4.3.6.2 Advanced Setting Screen	48
3.9.3 Battery Installation	19	4.3.6.3 Maint (Maintenance) Screen	55
3.10 Battery Connection	25	4.3.6.4 Common Screen	57
		4.3.6.5 About Screen	59
		<b>4.4 Display Messages and Alarms</b>	<b>59</b>

# Table of Contents

<b>5. Parallel System Commissioning</b>	<b>62</b>	<b>8. Storage and Maintenance</b>	<b>69</b>
<b>6. Troubleshooting</b>	<b>63</b>	8.1 Storage	69
<b>7. Communications</b>	<b>64</b>	8.2 Maintenance	69
7.1 Web Management Card	64	8.3 Battery	70
7.2 Relay Card	64	8.4 Fan	70
7.3 USB Communication Port Definition	65	<b>9. Specifications</b>	<b>71</b>
7.4 RS-232 Communication Port Definition	66	<b>10. Warranty</b>	<b>72</b>
7.5 RS-485 Communication Port Definition	66	<b>Español</b>	<b>73</b>
7.6 BAT_T Communicaiton Port Definition	67	<b>Français</b>	<b>144</b>
7.7 Backfeed: Relay Dry Contacts Port	68		
7.8 REPO Definition	68		

# 1. Introduction

Tripp Lite's SmartOnline S3M-Series Uninterruptible Power Supply (UPS) is a Voltage and Frequency Independent (VFI) true on-line, double-conversion 3-phase UPS system. This UPS continuously conditions the incoming electrical power supply, eliminating power disturbances that will otherwise damage sensitive electronic devices, and minimizing system downtime from power fluctuations and interruptions.

The S3M-Series utilizes the latest DSP digital control technology and unity output power factor. The S3M-Series UPS Systems are designed to the highest quality and performance standards and offer the following market leading features:

UPS Model	Agency Number	Capacity
S3M10K1B	AG-0588	10000W
S3M10K2B	AG-0589	
S3M10K3B	AG-0449	
S3M10K-NIB	AG-058A	
S3M15K2B	AG-058C	15000W
S3M15K3B	AG-044A	
S3M15K-NIB	AG-058D	
S3M20K3B	AG-044B	20000W
S3M20K-NIB	AG-058E	

- True on-line UPS – the highest level of UPS protection, fully regulates incoming power with zero transfer time to battery in the event of an extended mains failure so critical loads remain supported
- ENERGY STAR® 2.0 certified – offers the highest efficiency to minimize utility and spending costs. ENERGY STAR is a joint program of the Environmental Protection Agency (EPA) and the Department of Energy (DOE). “Its goal is to help consumers, businesses and industry save money and protect the environment through the adoption of energy-efficient products and practices. The ENERGY STAR label identifies top-performing, cost-effective products. For more information, visit [www.energy.gov/eere/buildings/energy-star](http://www.energy.gov/eere/buildings/energy-star).”
- High-efficiency performance in AC Online Mode up to 94% and in ECO Mode up to 98%
- Unity power factor (PF1) – more actual power allows more equipment to be supported
- Best-in-class compact footprint and size frees up space for revenue generating equipment
- Paralleling for capacity (3N+1) and redundancy – up to four UPS systems may use only one battery cabinet
- Automatic and manual maintenance bypass increase system reliability and allow for maintenance without removing power from the attached load
- Wide input voltage window – the UPS system regulates even poor-quality incoming power without reverting to battery, maximizing system uptime and protecting battery life
- Large 5-inch (12.7 mm), intuitive multi-language touch-screen display for ease of use
- Powerful and smart battery charger (up to 20A) to minimize battery charging time, increasing system reliability
- Emergency power off (EPO button, remote REPO) and simple-to-use cold start button
- Optional network SNMP remote monitoring card and contact closure management cards available
- Three MODBUS RTU ports: RS-485, RS-232, USB; standard on all models
- Dual and single AC input capability standards on all models
- Variety of models with and without internal batteries to minimize costs and accommodate your runtime needs
- Matching front-panel design with battery and transformer (480V) external cabinets (optional)

**Note:** All Tripp Lite 3-Phase UPS accessories, transformers and resources for the S3M-Series models and other 3-Phase UPS solutions are available at [tripplite.com/pages/3-phase-ups-solutions](http://tripplite.com/pages/3-phase-ups-solutions).

# 1. Introduction

SmartOnline S3M-Series UPS Systems are ideally suited for protecting and supporting the following mission-critical electrical applications:

- IT infrastructure – small data centers, edge computing and colocation data centers
- Telecommunications
- Networks (LAN/WAN)
- Corporate infrastructure
- Security and non-motor-load emergency systems
- Financial, government, educational and research institutions
- Manufacturing and healthcare applications with (480V) transformer + UPS kit models

**Note:** All Tripp Lite 3-Phase UPS accessories, transformers and resources for the S3M-Series models and other 3-Phase UPS solutions are available at [tripplite.com/pages/3-phase-ups-solutions](https://www.tripplite.com/pages/3-phase-ups-solutions).

## 2. Important Safety Warnings

### SAVE THESE INSTRUCTIONS

This manual contains important instructions and warnings that should be followed during the installation and maintenance of all Tripp Lite SmartOnline S3M 3-Phase 10kVA, 15kVA and 20kVA UPS Systems and their batteries. Failure to heed the warnings may affect your warranty.

### 2.1 UPS Location Warnings

- Install the UPS indoors, away from heat, direct sunlight, dust and excess moisture or other conductive contaminants.
- Install the UPS in a structurally sound area. The UPS is extremely heavy; take care when moving and lifting the unit.
- Only operate the UPS at indoor temperatures between 0° C and 40° C.
- Optimum UPS performance and maximum battery life is obtained when the operating temperature is maintained between 17° C and 25° C.
- Ensure the installation area has sufficient space for maintenance and ventilation of the UPS system. Maintain a minimum clearance of 50 cm from the rear, front and both sides of the UPS for maintenance and ventilation.
- Do not install the UPS near magnetic storage media, as this may result in data corruption.

### 2.2 Equipment Connection Warnings

- Use of this equipment in life support applications where failure of this equipment can reasonably be expected to cause the failure of the life support equipment or to significantly affect its safety or effectiveness is not recommended.
- The UPS models S3M10K1B, S3M10K2B, S3M10K3B, S3M15K2B, S3M15K3B and S3M20K3B contain their own energy source (batteries). The output terminals may be live even when the UPS is not connected to an AC supply.

### 2.3 Battery Warnings



This UPS contains LETHAL VOLTAGES. The UPS is designed to supply power, even when disconnected from utility power. Only AUTHORIZED SERVICE PERSONNEL should access the interior of the UPS after disconnecting utility and DC power.



Batteries present a risk of electrical shock and burns from high short-circuit current. Battery connection or replacement should be performed only by qualified service personnel, observing proper precautions. Turn off the UPS before connecting or disconnecting internal batteries. Use tools with insulated handles. Do not open the batteries. Do not short or bridge the battery terminals with any object

- The batteries are recyclable. Refer to local codes for disposal requirements or visit [tripplite.com/support/recycling-program](http://tripplite.com/support/recycling-program) for recycling information.
- Do not dispose of the batteries in a fire, mutilate the batteries or open the battery coverings. Escaping electrolytes may be toxic and cause injury to skin and eyes.
- Do not disconnect the batteries while the UPS is in battery mode.
- Disconnect the charging source prior to connecting or disconnecting terminals.
- The following precautions should be observed:
  - 1) Remove watches, rings and other metal objects.
  - 2) Use tools with insulated handles.
  - 3) Wear rubber gloves and electrical-grade boots.
  - 4) Use an electrical-grade rubber mat while servicing batteries.
  - 5) Do not lay tools or metal parts on top of batteries or battery cabinets.

## 2. Important Safety Warnings

- 6) Determine whether the battery supply (+, -, N) is inadvertently grounded. If it is, remove the source of the ground. Contact with any part of a grounded battery can result in electric shock. The likelihood of an electric shock is reduced if such grounds are removed during installation and maintenance.
- Battery replacement should be performed only by authorised service personnel, using the same number and type of batteries (sealed lead acid).



**WARNING: In order to avoid any hazardous conditions during UPS installation and maintenance, these tasks may be performed only by qualified and experienced electricians.**

Please read this Owner's Manual and the safety instructions carefully before installing or using the unit.

### 2.4 Transportation and Storage

- ⚠ To protect against shock and impact, transport the UPS system only in the original packaging.
- ⚠ The UPS must be stored in a room that is dry and ventilated.

### 2.5 Preparation

- ⚠ Condensation may occur if the UPS system is moved directly from a cold to a warm environment. The UPS system must be completely dry before being installed. Please allow at least two hours for the UPS system to adjust to the environment.
- ⚠ Do not install the UPS system near water or in moist environments.
- ⚠ Do not install the UPS system in direct sunlight or near heat sources.
- ⚠ Do not block the ventilation holes on the UPS system's housing.

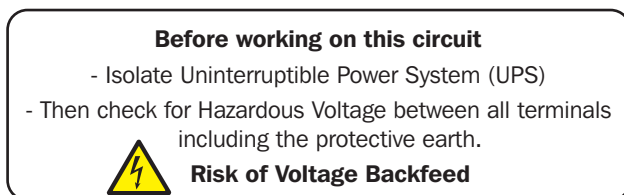
### 2.6 Installation

- ⚠ Do not connect appliances or devices that could overload the UPS (i.e., equipment with electrical motors) to the UPS output sockets or terminal.
- ⚠ Carefully arrange cables so no one can step on or trip over them.
- ⚠ Do not block the UPS system's air vents. The UPS must be installed in a location with good ventilation. Ensure adequate ventilation space on each side of the unit.
- ⚠ The UPS contains an earthed terminal. In the final installed system configuration, ensure equipotential earth grounding to the external UPS battery cabinet by connecting the earth terminals of both cabinets together.
- ⚠ The UPS should only be installed by qualified maintenance electrical service personnel.
- ⚠ An appropriate disconnect device, such as short-circuit backup protection, must be provided in the building wiring installation.
- ⚠ An integral single-emergency switching device should be included in the building wiring installation.
- ⚠ Connect the earth ground before connecting to the building wiring terminal.
- ⚠ Installation and wiring must be performed in accordance with local electrical codes and regulations.

## 2. Important Safety Warnings

### 2.7 Connection Warnings

- This UPS should be connected with a TN earthing system.
  - The power supply for this unit must be 3-phase rated in accordance with the equipment nameplate. It also must be suitably grounded.
  - The input power to 3-phase UPS models requires a 3-pole breaker.
  - Use of this equipment in life support applications where failure of this equipment can reasonably be expected to cause the failure of the life support equipment or to significantly affect its safety or effectiveness is not recommended.
  - The UPS is connected to a DC energy source (battery). The output terminals may still be live even when the UPS is not connected to an AC supply.
- ⚠ When installing the unit, verify that any maintenance bypass panel used is configured correctly before applying power to the unit.
- Be sure to place a warning label on all primary power isolators installed remotely from the UPS area and on any external access points between such isolators and the UPS. The warning label shall carry the following wording or equivalent:



- These UPS models include a backfeed dry contact connector on the back of the UPS for backfeed protection.

### 2.8 Operation

- ⚠ Do not disconnect the earth conductor cable on the UPS or the building wiring terminals at any time, as this will cancel the protective earth of the UPS system.
- ⚠ In order to fully disconnect the UPS system, refer to section **4.2.2 UPS Shutdown**, then disconnect the mains.
- ⚠ Ensure no liquid or other foreign objects can enter into the UPS system.

### 2.9 Standard Compliance

This product meets the following safety standards and electromagnetic compatibility (EMC) inspection standards:

- UL 1778
- CSA C22.2 No. 107.3
- FCC Part 15B Class A



## 3. Installation and Wiring

### 3.1 Important Safety Warning

Read this manual thoroughly before undertaking any installation and wiring. An authorized Tripp Lite engineer must perform the start-up of the UPS and a completed start-up form must be returned to Tripp Lite in order to activate the SmartOnline S3M warranty. Contact your local supplier or [support@tripplite.com](mailto:support@tripplite.com) for further details. To find your local contact, go to [tripplite.com/support/contacts](http://tripplite.com/support/contacts) and click on “Service Centers.”

### 3.2 Package Inspection

#### 3.2.1 External Inspection

Inspect the UPS exterior packaging. If any damage is observed, check the “Tip ‘N Tell” sticker on the UPS packaging to see if the UPS box was tilted. If it was tilted, immediately contact the dealer from whom the UPS was purchased.

#### 3.2.2 Internal Inspection

1. Check the rating label on the top of the UPS cabinet and make sure the device number and capacity match what you ordered.
2. Examine if any parts are loose or damaged.
3. The UPS package contains the times listed below. Please check if any items are missing.
4. If anything is damaged or missing, immediately contact the dealer from whom the UPS was purchased.
5. If the UPS needs to be returned, carefully repack the UPS and all of the accessories using the original packing material that came with the unit.

#### 3.2.3 Package Contents

- UPS
- RS-232 Cable (Male/Female), 5 ft. (1.5 m)
- Parallel Cable (Male/Female), 5 ft. (1.5 m)
- USB Cable, 5 ft. (1.5 m)
- Battery Cable Anderson Connectors Set to Terminate a Battery Cable (2 Black, 2 White, 2 Red and several metal terminals)
- Cable Glands (x6) for Cable Landing Box (waterproof fasteners)
- UPS models S3M10K-NIB, S3M15K-NIB and S3M20K-NIB include Battery Short/Jumper Cables (x54)
- Dry Contact Connector (Green)
- Owner’s Manual

## 3. Installation and Wiring

### 3.3 Mechanical Data

#### 3.3.1 Dimensions

The measurements listed apply to all 10kVA, 15kVA and 20kVA UPS models.

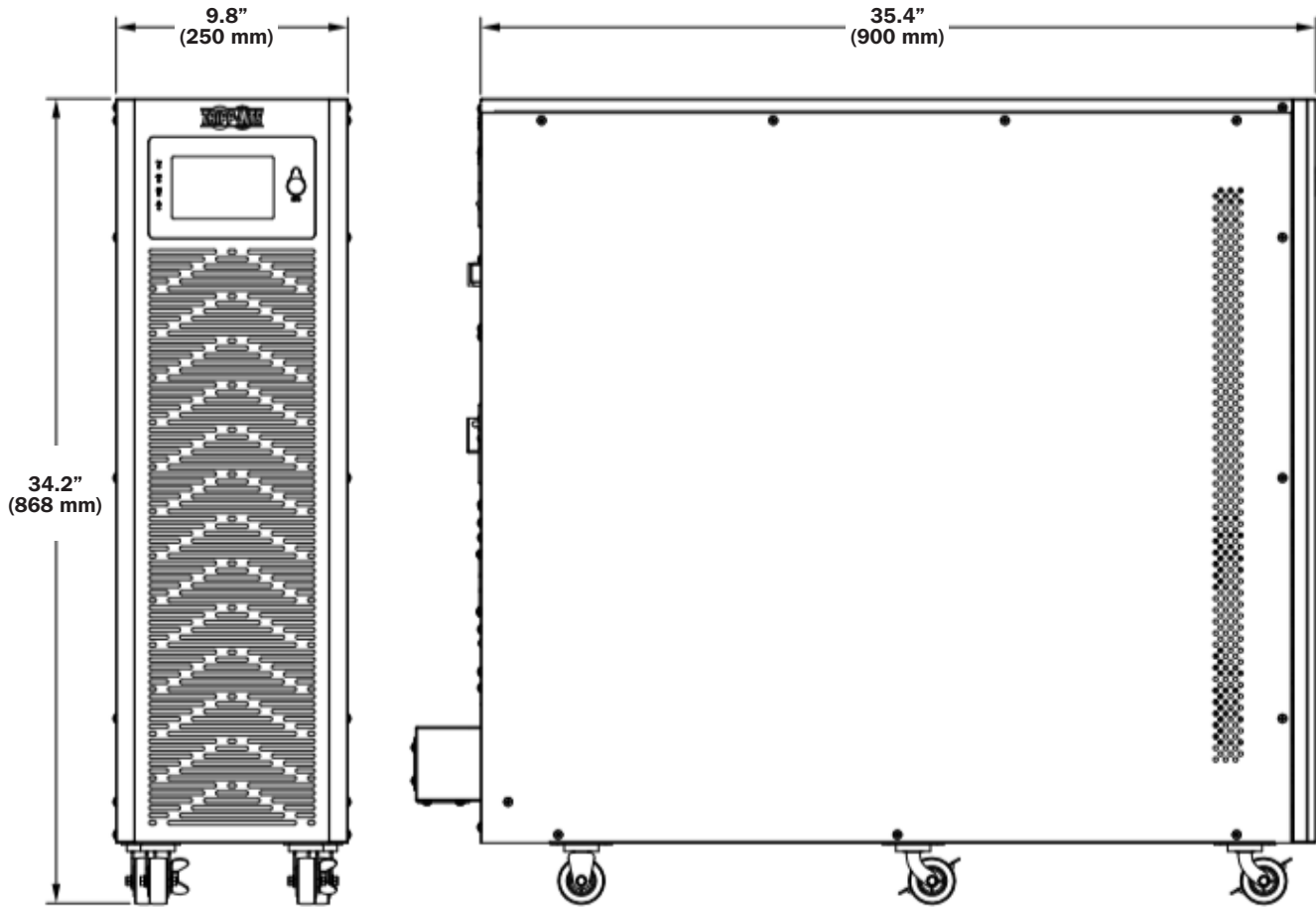


Figure 3-1: UPS Dimensions

## 3. Installation and Wiring

### 3.3.2 Physical Requirements

Leave a minimum of 20 in. (500 mm) around the front, back and left and right sides of the cabinet for operation and ventilation.

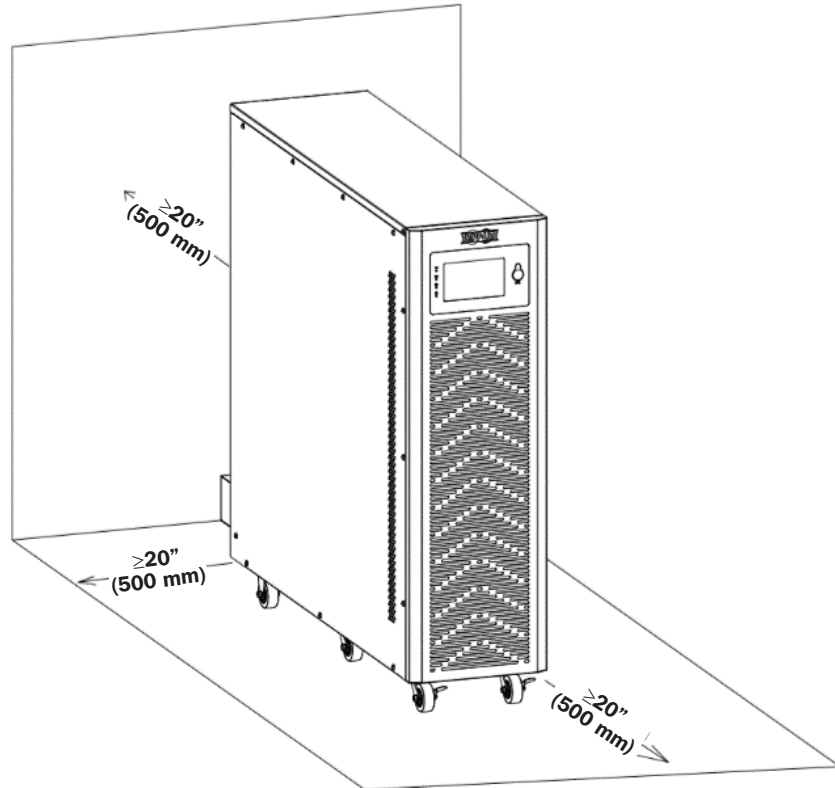


Figure 3-2: Physical Requirements

## 3. Installation and Wiring

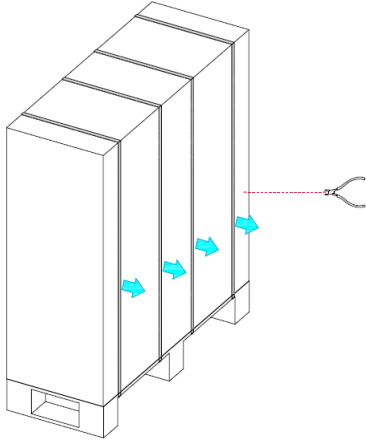
### 3.4 Unpacking the UPS

#### Notes:

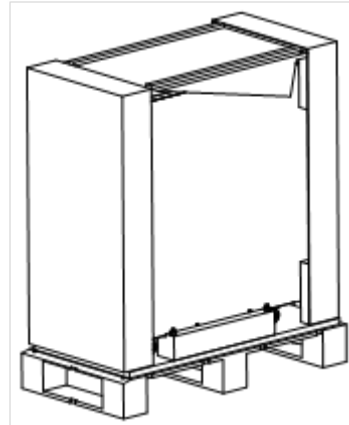
- Do not tilt or lean the UPS when removing it from the packaging.
- Ensure the UPS was not damaged during transport (refer to section **3.2.1 External Inspection**). If any damage is observed, do not turn on the unit. Immediately contact the dealer from whom the UPS was purchased.

#### To unpack the UPS:

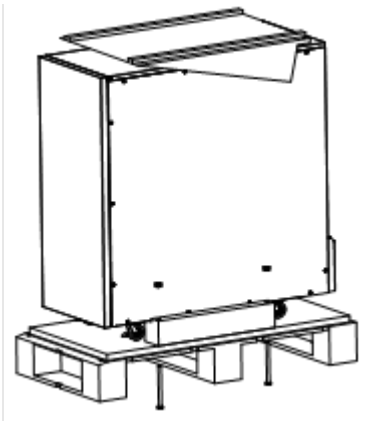
1. Remove the wrapping.



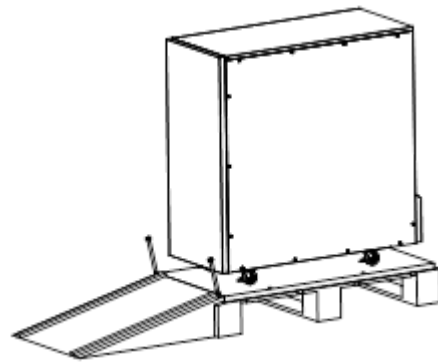
2. Remove the cabinet's outer packaging.



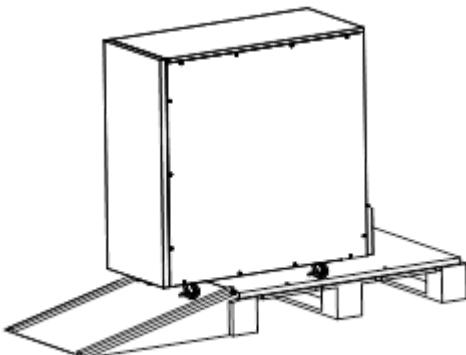
3. Remove the cabinet's inner packaging, unfasten the screws and remove the wooden bar affixed to the cabinet.



4. Place the incline board on the floor and fasten it to the pallet using the screws removed in step 3.



5. Slowly slide the unit from the pallet.



# 3. Installation and Wiring

## 3.5 Overview

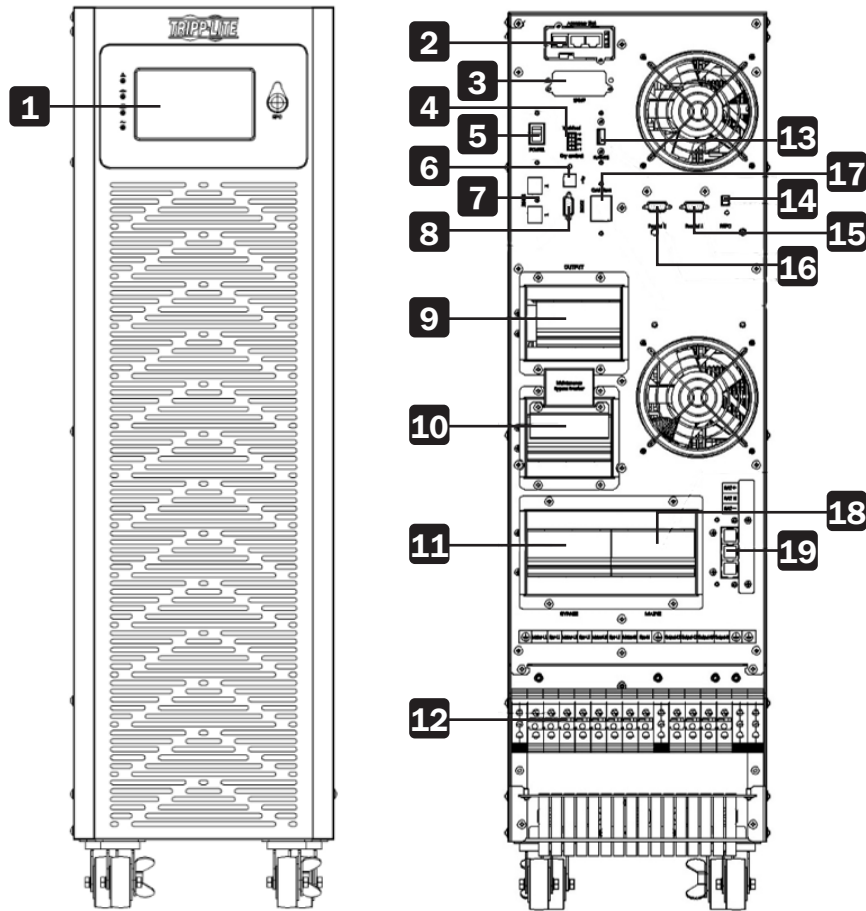


Figure 3-3: Front and Rear Views of 10kVA UPS (terminal block shown without cover)

- |  |  |
|--|--|
| <b>1</b> LCD Panel                                       | <b>11</b> Bypass Breaker                         |
| <b>2</b> Accessory Slot                                  | <b>12</b> Terminal Block for Input, Output & GND |
| <b>3</b> SNMP Port                                       | <b>13</b> EVENTS (Service Port)                  |
| <b>4</b> Backfeed Dry Contacts                           | <b>14</b> REPO Port                              |
| <b>5</b> POWER Switch (Remove cover to access switch)    | <b>15</b> Parallel Port 1                        |
| <b>6</b> USB Port  | <b>16</b> Parallel Port 2                        |
| <b>7</b> Two RS-485 Ports (MODBUS or Battery Thermostat) | <b>17</b> Cold Start Button                      |
| <b>8</b> RS-232 Port                                     | <b>18</b> Input Breaker                          |
| <b>9</b> Output Breaker                                  | <b>19</b> Terminal Block for Battery             |
| <b>10</b> Maintenance Breaker (shown uncovered)          |  |

### 3. Installation and Wiring

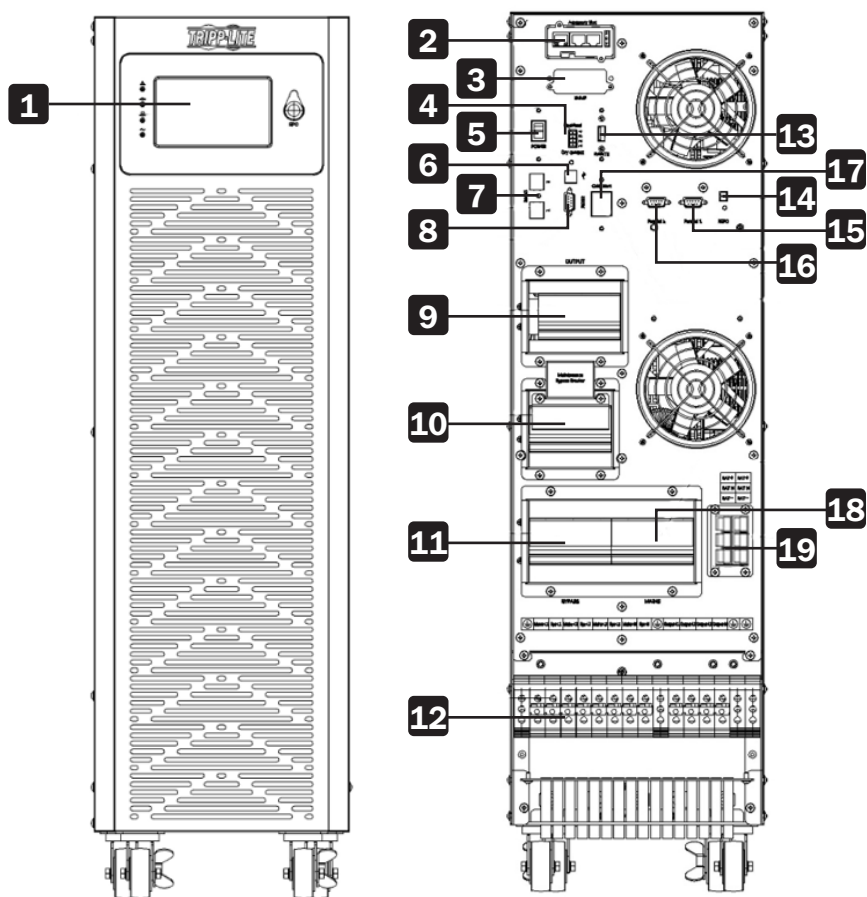


Figure 3-4: Front and Rear Views of 15kVA / 20kVA UPS (terminal block shown without cover)

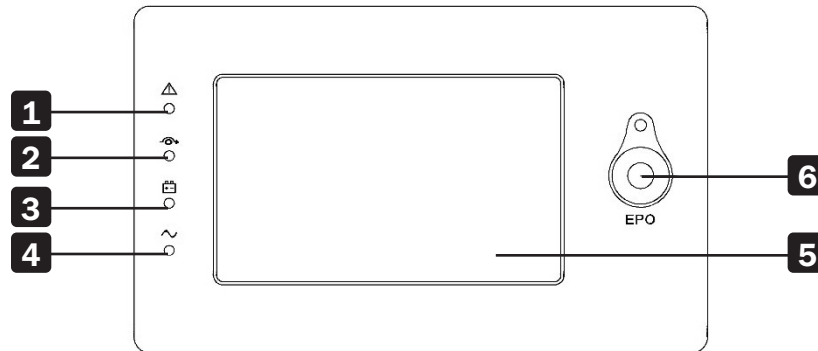
- |  |  |
|--|--|
| <b>1</b> LCD Panel                                       | <b>11</b> Bypass Breaker                         |
| <b>2</b> Accessory Slot                                  | <b>12</b> Terminal Block for Input, Output & GND |
| <b>3</b> SNMP Port                                       | <b>13</b> EVENTS (Service Port)                  |
| <b>4</b> Backfeed Dry Contacts                           | <b>14</b> REPO Port                              |
| <b>5</b> POWER Switch (Remove cover to access switch)    | <b>15</b> Parallel Port 1                        |
| <b>6</b> USB Port  | <b>16</b> Parallel Port 2                        |
| <b>7</b> Two RS-485 Ports (MODBUS or Battery Thermostat) | <b>17</b> Cold Start Button                      |
| <b>8</b> RS-232 Port                                     | <b>18</b> Input Breaker                          |
| <b>9</b> Output Breaker                                  | <b>19</b> Terminal Block for Battery             |
| <b>10</b> Maintenance Breaker (shown uncovered)          |  |

## 3. Installation and Wiring

### 3.6 LCD Control Panel, LEDs and Alarms

#### 3.6.1 Introduction: LCD Display

For detailed information on LCD control panel functions, refer to sections **4.3.2 LCD Control Panel Introduction** and **4.3.3 Main Page: Default Display**.



**1** Alarm LED

**2** Bypass LED

**3** Battery LED

**4** Inverter LED

**5** Touchscreen LCD Screen, 5 in. (127 mm)

**6** EPO Button (the button must be pressed for at least 3 seconds to activate EPO)

#### 3.6.2 Introduction: Audible Alarms and LEDs

		Audible Alarms		Display LEDs			
		Alarm Status	Mutable On/Off	Alarm	Bypass	Battery	Inverter
<b>UPS Modes</b>	UPS Initialization	Beeps, Only Once	No	Blink/ 0.5 Second	Blink/ 0.5 Second	Blink/ 0.5 Second	Blink/ 0.5 Second
	UPS Online Mode (Normal)	No Beeps	No Beeps	OFF	OFF	OFF	ON
	UPS Battery Mode	Beeps/ 2 Seconds	Yes	OFF	OFF	ON	OFF
	UPS Battery Test Mode	No Beeps	No Beeps	OFF	OFF	ON	OFF
	UPS ECO Mode	No Beeps	No Beeps	OFF	ON	OFF	OFF
	UPS Standby Mode	No Beeps	No Beeps	OFF	OFF	OFF	OFF
	UPS Static Bypass Mode	No Beeps	No Beeps	OFF	ON	OFF	OFF
	UPS Maintenance Bypass Mode	No Beeps	No Beeps	OFF	ON	OFF	OFF
	UPS Frequency Converter Mode	No Beeps	No Beeps	OFF	OFF	OFF	ON
Overload (Bypass Mode or Battery Mode)	Beeps/ 1 Second	Yes	OFF	ON	ON	OFF	

# 3. Installation and Wiring

## 3.7 Installation Notes

- Place the battery cabinet in a clean, stable environment. Avoid vibration, dust, humidity, flammable gases, liquids and corrosives. Additional air filters may be required if the UPS will operate in a dusty environment. For more information on air filters for the UPS, contact [tripplite.com/support](http://tripplite.com/support).
- The environmental temperature around the UPS should be maintained in the range of 32°F to 104°F (0°C to 40°C). If the temperature exceeds this range, the rated load capacity should be reduced by 12% for 9°F (5°C). To help prevent high temperatures in the room where the UPS is installed, extractor fans and/or cooling systems are recommended. Do not operate the UPS in an environment over 122°F (50°C).
- If the UPS is installed or dismantled in low temperatures, moisture condensation might occur. Do not install the UPS unless all internal and external parts are fully dry. Otherwise, there is a danger of electric shock.
- Batteries should be mounted in an environment where the temperature is within the required specifications. Temperature is a key factor in determining battery life and capacity. Battery temperature should be maintained between 59°F to 77°F (20°C to 25°C). Keep batteries away from heat sources, main air ventilation areas, etc.



**CAUTION!**

**Typical battery performance data reflects an operating temperature between 59°F to 77°F (20°C to 25°C). Operating the UPS above this range will reduce the battery life, while operating the UPS below this range will reduce battery capacity.**

- If the UPS will not be installed immediately, it must be stored in a room without excessive heat or humidity.



**CAUTION!**

**An unused battery must be recharged every 6 months. Temporarily connect the UPS to a suitable AC supply mains and activate it for the time required to fully charge the batteries.**

- The highest altitude that the UPS may work normally with full load is 1000 meters. The load capacity should be reduced when this UPS is installed in place whose altitude is higher than 1000 meters, shown as the following table:

(Load coefficient equals max load in high altitude place divided by nominal power of the UPS)

Altitude	3,281 ft. (1,000 m)	4,921 ft. (1,500 m)	6,562 ft. (2,000 m)	8,202 ft. (2,500 m)	9,843 ft. (3,000 m)	11,483 ft. (3,500 m)	13,124 ft. (4,000 m)	14,764 ft. (4,500 m)	16,404 ft. (5,000 m)
Load Coefficient	100%	95%	90%	85%	80%	75%	70%	65%	60%

- The UPS should be kept in an area with good ventilation. Ventilation holes on the front and rear of the UPS should not be blocked.



## 3. Installation and Wiring

### 3.8 External Protective Devices

For safety reasons, it is necessary to install an external circuit breaker at the input AC utility and to the battery.

#### 3.8.1 External Battery

The UPS and its connected batteries are protected against the effects of over-current through a DC-compatible thermo-magnetic circuit breaker located close to the battery.

#### 3.8.2 UPS Output

Any external distribution board used for load distribution shall be fitted with protective devices to avoid the risk of UPS overload.

#### 3.8.3 Over-Current Protection



**CAUTION!**

- Wiring must be performed by qualified professional personnel.
- Before wiring or making any electrical connection, ensure the power supplied to the input and output of the UPS is cut off completely and the internal battery connectors are disconnected.
- When connecting the UPS to the utility AC power and bypass source, protective devices and 3-pole connectors must be installed. The protective devices and 3-pole contactors must use approved components that meet safety certifications. The thermo-magnetic circuit breakers should be IEC 60947-2 trip curve C (normal). Refer below for required protective devices:  
**10kVA UPS: 50A circuit breaker required.**  
**15kVA UPS: 63A circuit breaker required.**  
**20kVA UPS: 80A input circuit breaker required.**
- When connecting the critical loads to the UPS, a listed certified breaker must be installed between them. Refer to the below for the required breakers:  
**10kVA UPS: 50A input breaker required.**  
**15kVA UPS: 63A input breaker required.**  
**20kVA UPS: 80A input breaker required.**
- Check that the size, diameter, phase and polarity of each cable connecting to the UPS is correct. For the specifications of input/output cables, refer to the table in section 3.9.2 UPS Internal Battery Cable Connectors.

### 3.9 Internal Battery Installation Procedure for UPS Models with No Internal Batteries (-NIB Models)



**DANGER! LETHAL HIGH-VOLTAGE HAZARD!**

Even if not connected to the UPS system, there is potentially fatal high voltage inside the battery. Battery connections should only be performed by qualified service personal, following all precautions listed in the service manual, following local electrical codes.

## 3. Installation and Wiring

### 3.9.1 UPS and Battery Cabinet Compatibility

	Cabinets with Internal Batteries	SP240V09 / 09K	BP240V40	BP240V40L	BP240V65	BP240V65L	BP240V100	BP240V100L
	Cabinets without Internal Batteries	SP240V09-NIB	BP240V40-NIB	BP240V40L-NIB	BP240V65-NIB	BP240V65L-NIB	BP240V100-NIB	BP240V100L-NIB
<b>10kVA-20kVA UPS with Internal Batteries</b>	<ul style="list-style-type: none"> <li>S3M10K1B, S3M10K2B, S3M10K3B</li> <li>S3M15K2B, S3M15K3B</li> <li>S3M20K3B</li> </ul>	Yes	No	No	No	No	No	No
<b>10kVA-20kVA UPS with NO Internal Batteries</b>	<ul style="list-style-type: none"> <li>S3M10K-NIB</li> <li>S3M15K-NIB</li> <li>S3M20K-NIB</li> </ul>	Yes	Yes	Yes	Yes	Yes	Yes	No

### 3.9.2 UPS Internal Battery Cable Connectors

**Note:** The S3M10K-NIB, S3M15K-NIB, and S3M20K-NIB models include 54 battery jumper/shorting cables to be used in the installation of internal batteries.

	Cable Color	Cable Gauge	Cable Length	Quantity	Factory-Preinstalled Cables
<b>S3M10K-NIB</b>	Black	1015 10 AWG	101 mm	54	No
	Black	1015 10 AWG	2200 mm	1	Yes
	Red	1015 10 AWG	1730 mm	1	Yes
	Blue	1015 10 AWG	2600 mm	1	Yes
	Blue	1015 10 AWG	1330 mm	1	Yes
	Blue	1015 10 AWG	2400 mm	1	Yes
	Red	1015 10 AWG	680 mm	1	Yes
	Black	1015 10 AWG	1350 mm	1	Yes
<b>S3M15K-NIB</b>	Black	1015 10 AWG	101 mm	54	No
	Black	1015 10 AWG	2200 mm	1	Yes
	Red	1015 10 AWG	1730 mm	1	Yes
	Blue	1015 10 AWG	2600 mm	1	Yes
	Blue	1015 10 AWG	1330 mm	1	Yes
	Blue	1015 10 AWG	2400 mm	1	Yes
	Red	1015 10 AWG	680 mm	1	Yes
	Black	1015 10 AWG	1350 mm	1	Yes
<b>S3M20K-NIB</b>	Black	1015 10 AWG	101 mm	54	No
	Black	1015 10 AWG	2200 mm	1	Yes
	Red	1015 10 AWG	1730 mm	1	Yes
	Blue	1015 10 AWG	2600 mm	1	Yes
	Blue	1015 10 AWG	1730 mm	1	Yes
	Blue	1015 10 AWG	2400 mm	1	Yes
	Red	1015 10 AWG	680 mm	1	Yes
	Black	1015 10 AWG	1350 mm	1	Yes

## 3. Installation and Wiring

### 3.9.3 Battery Installation

1. Remove the screws circled in Figure 3-6.

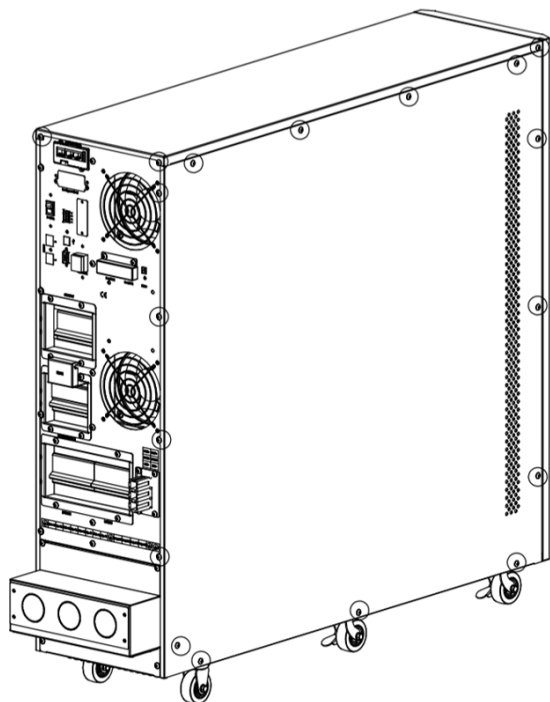


Figure 3-6: Remove screws from top, right and left plates.

2. Remove top, right and left plates (Figure 3-7).

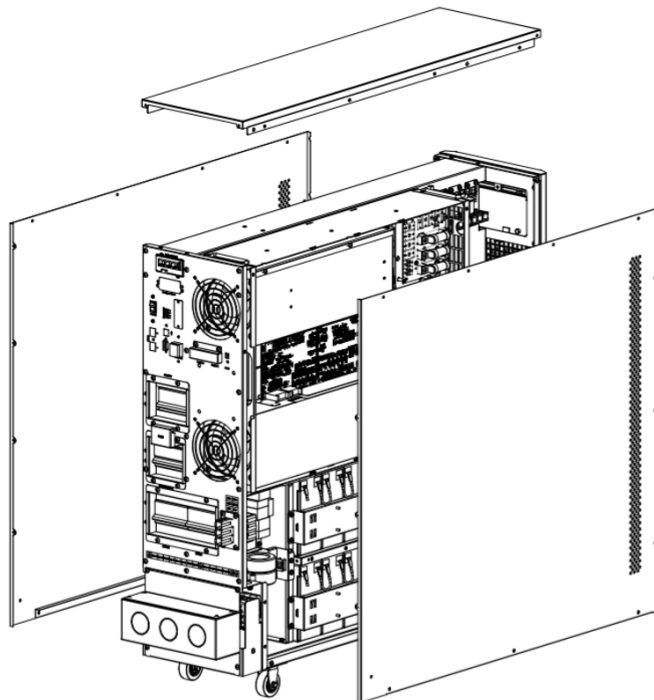


Figure 3-7: Remove top, right and left plates.

3. Remove the battery bracket bars on the right and left sides of the UPS (Figure 3-8).

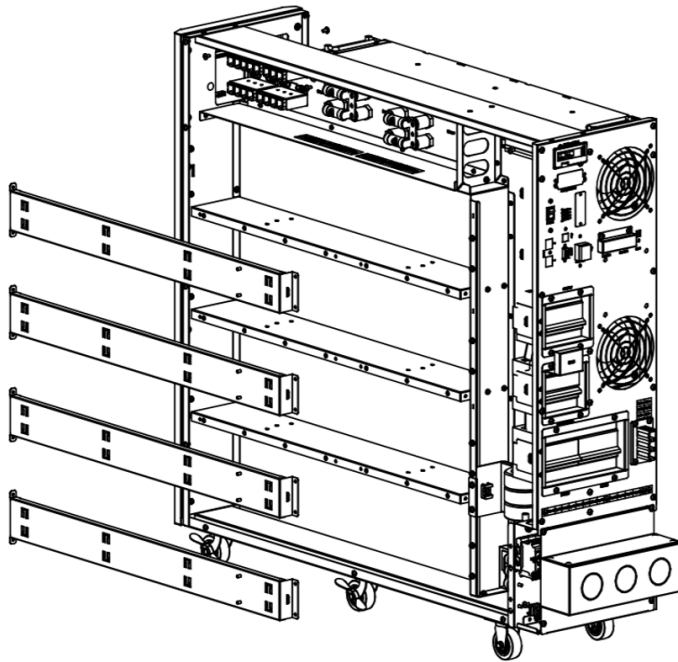
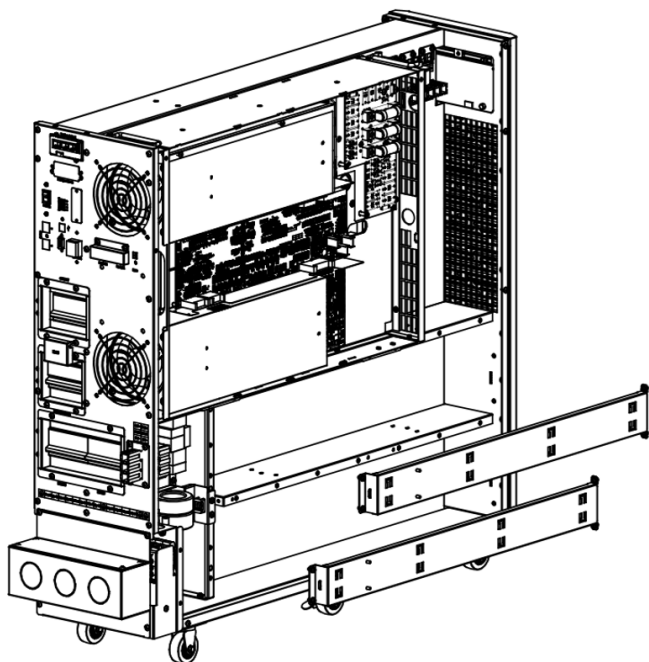


Figure 3-8: Remove the battery bracket bars.

### 3. Installation and Wiring

4. Working from the bottom up, install 10 batteries on the first and second shelves on the right side of the unit (Figure 3-9). Always keep the terminal side of all batteries facing up.

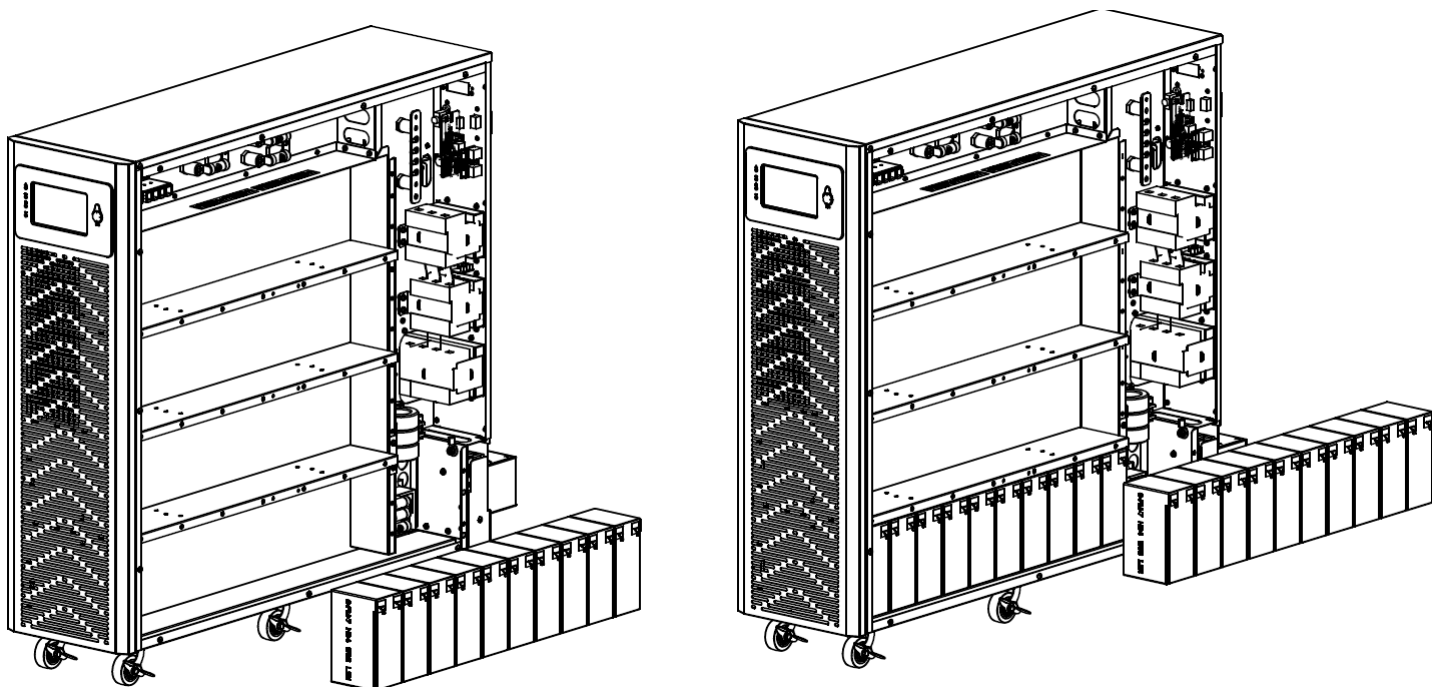


Figure 3-9: Install batteries on the first and second shelves on the right side.

5. Install 10 batteries on the third and fourth shelves on the right side (Figure 3-10). Always keep the terminal side of all batteries facing up.

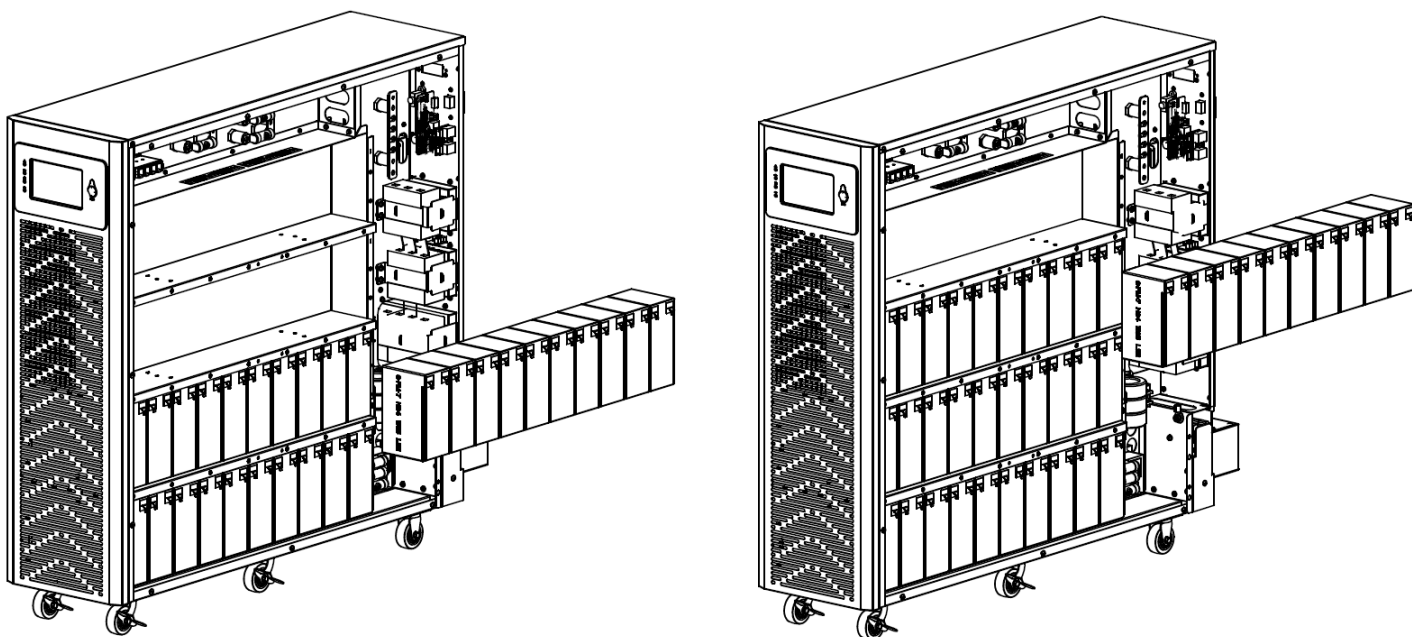


Figure 3-10: Install batteries on the third and fourth shelves on the right side.

### 3. Installation and Wiring

6. Working from the bottom up, install 10 batteries on the first and second shelves on the left side of the unit. Always keep the terminal side of all batteries facing up.

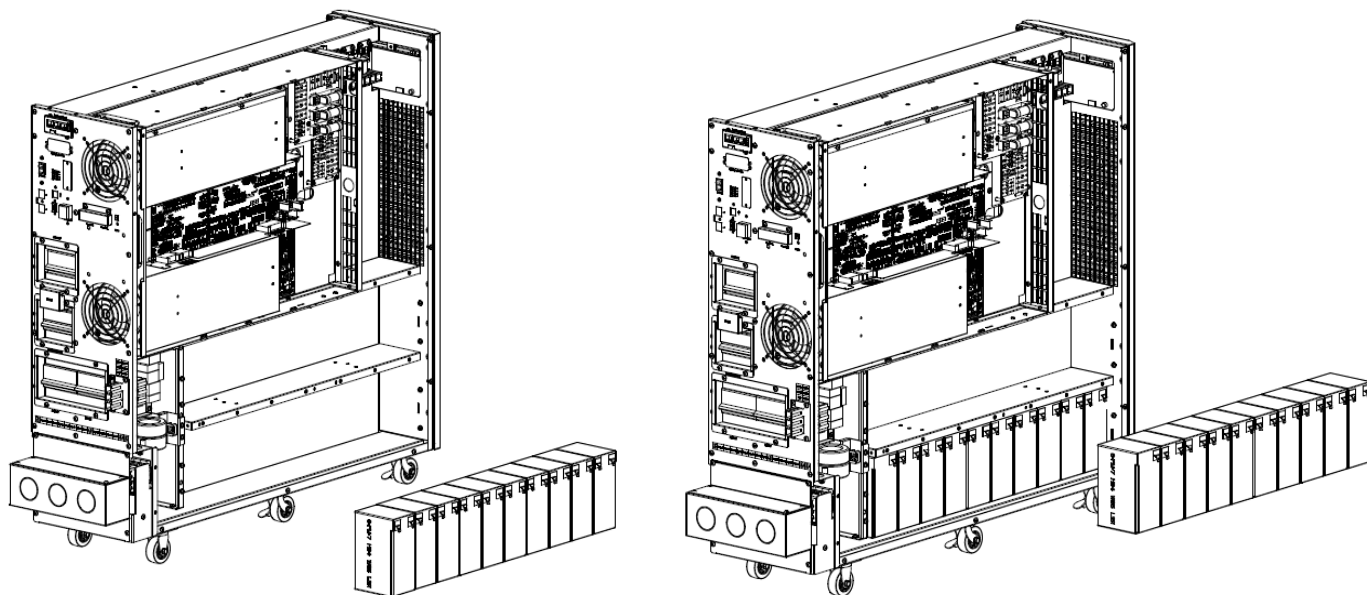


Figure 3-11: Install batteries on the first and second shelves on the left side.

7. Reattach the six battery bracket bars removed in step 3 (Figure 3-12).

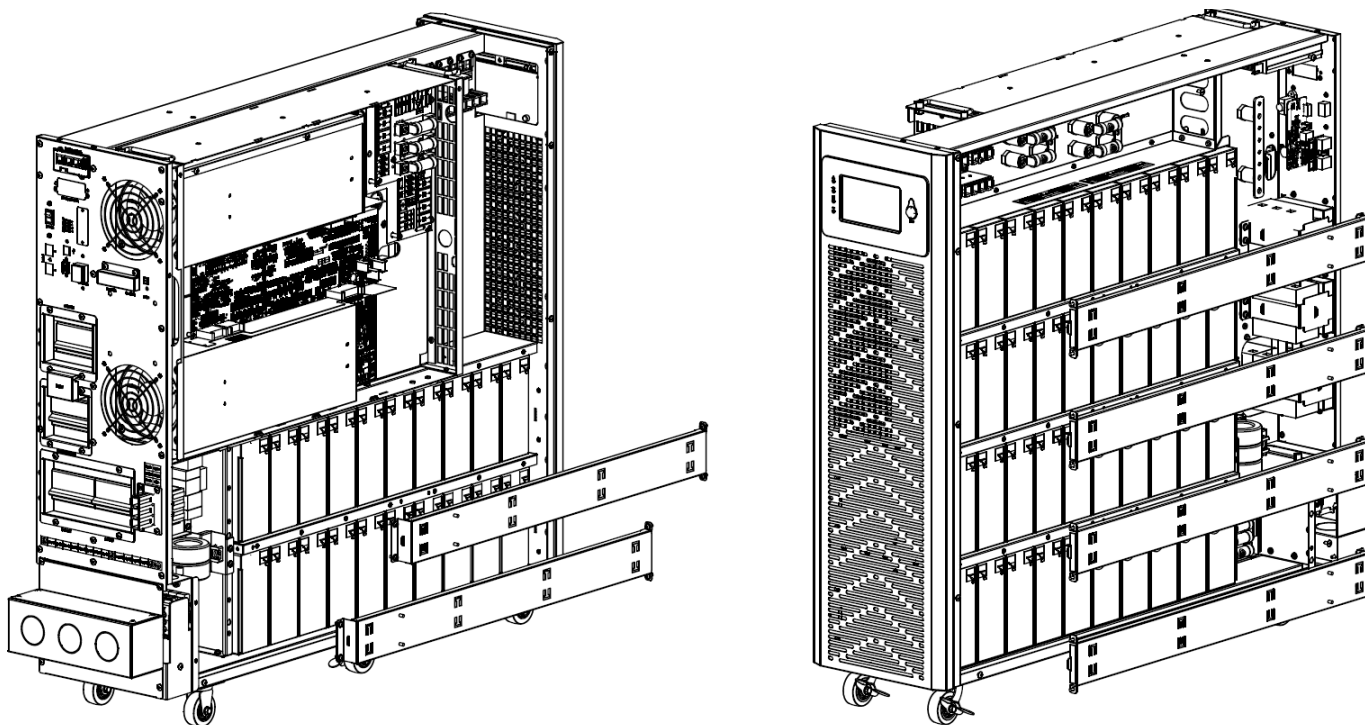


Figure 3-12: Reattach Battery Bracket Bars

## 3. Installation and Wiring

8. Connect the battery jumper cables on both sides of the UPS (Figure 3-13).
- Right side of the UPS: connect the batteries with 36 battery jumper cables
  - Left side of the UPS: connect the batteries with 18 battery jumper cables

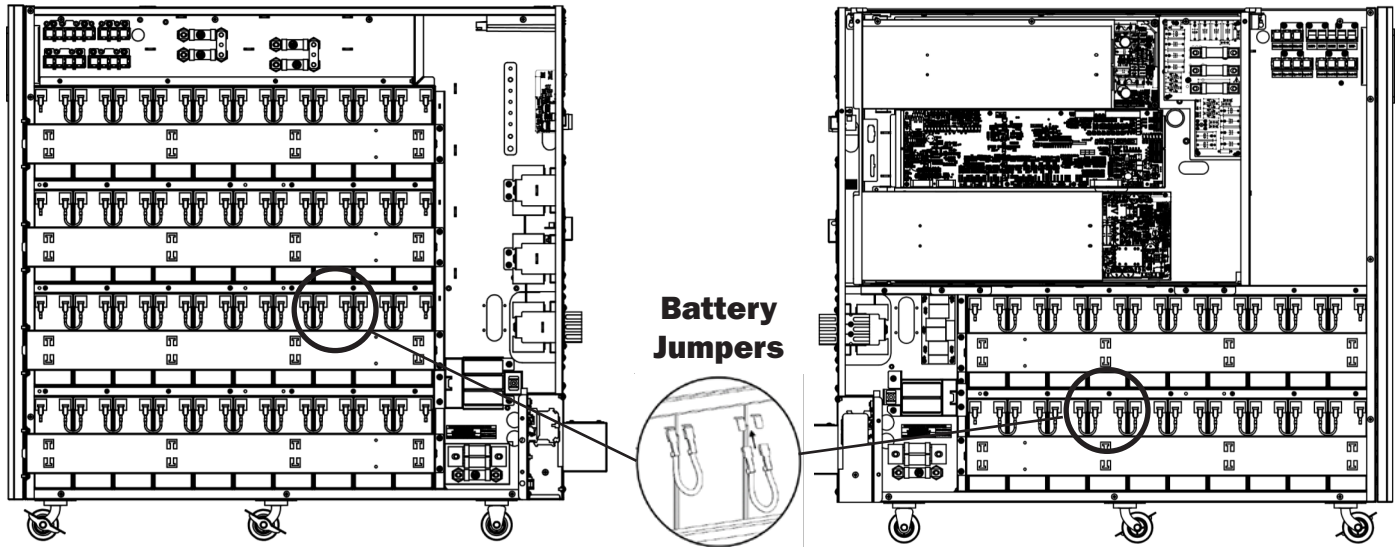


Figure 3-13: Connect Battery Jumper Cables

9. Connect the three battery packs to the positive fuse (Figure 3-14).

**Notes:**

- For steps 9 through 12, the torque for the M6 screw is 5 N•m for the fuses and bus bar.
- For Steps 9 through 12, the cable numbers reference the wiring diagram in section 3.10 for installation of 60 batteries.

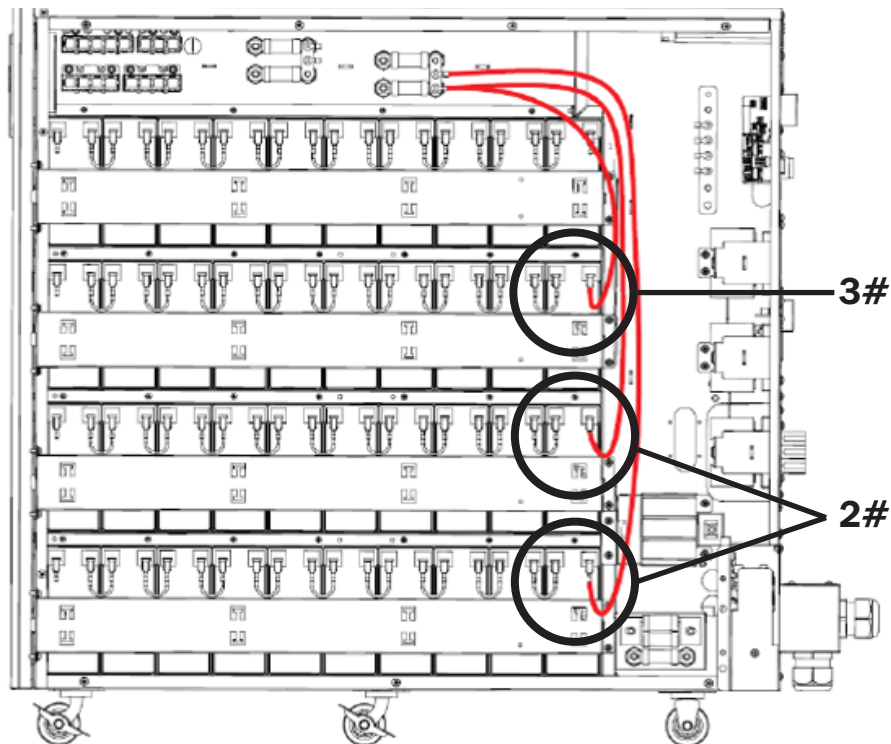


Figure 3-14: Connect Battery Packs to Positive Fuse

### 3. Installation and Wiring

10. Connect the four battery packs to the copper plate (N-pole) (Figure 3-15).

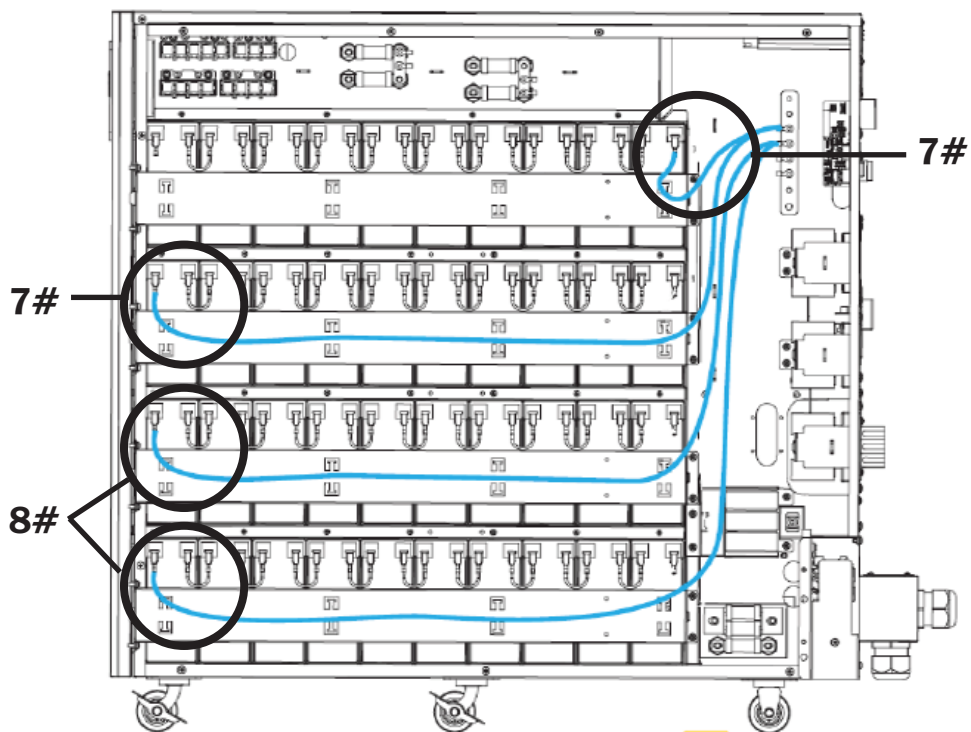


Figure 3-15: Connect Right Battery Packs to the Copper Plate (N-Pole).

11. Connect the left two battery packs to the copper plate (N-pole) (Figure 3-16).

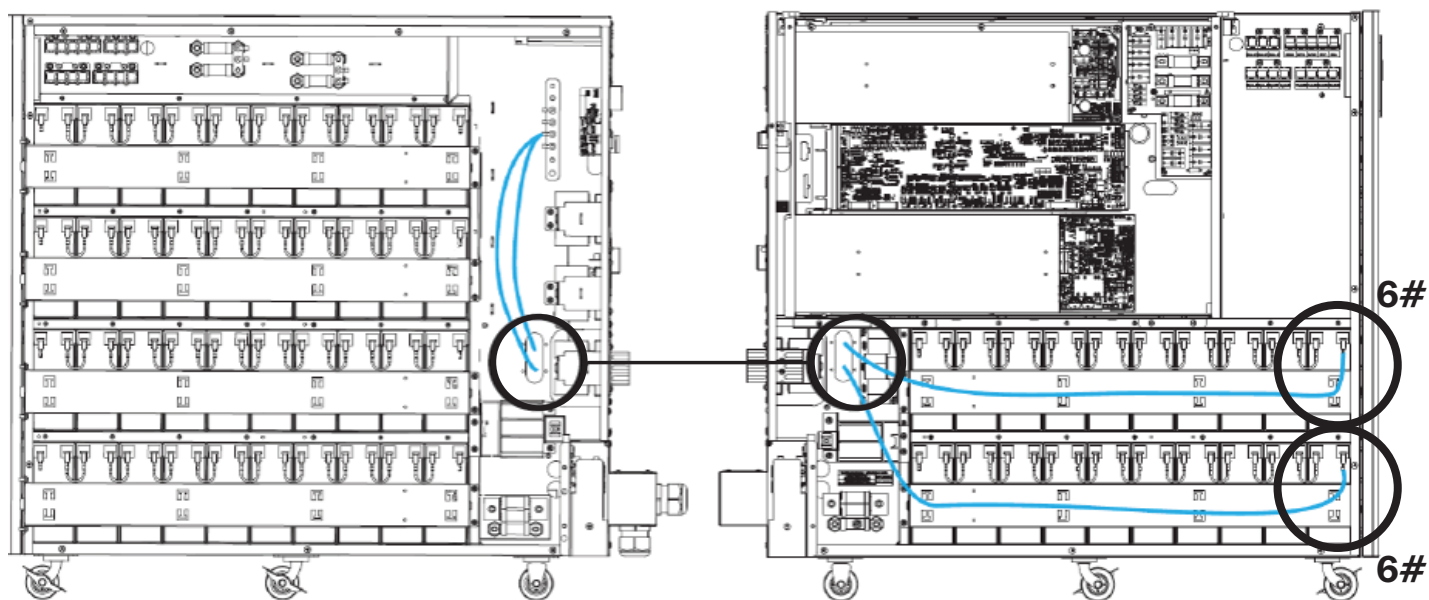


Figure 3-16: Connect Left Battery Packs to the Copper Plate (N-Pole).

### 3. Installation and Wiring

12. Connect the negative terminals of the three battery packs to the negative fuse (Figure 3-17).

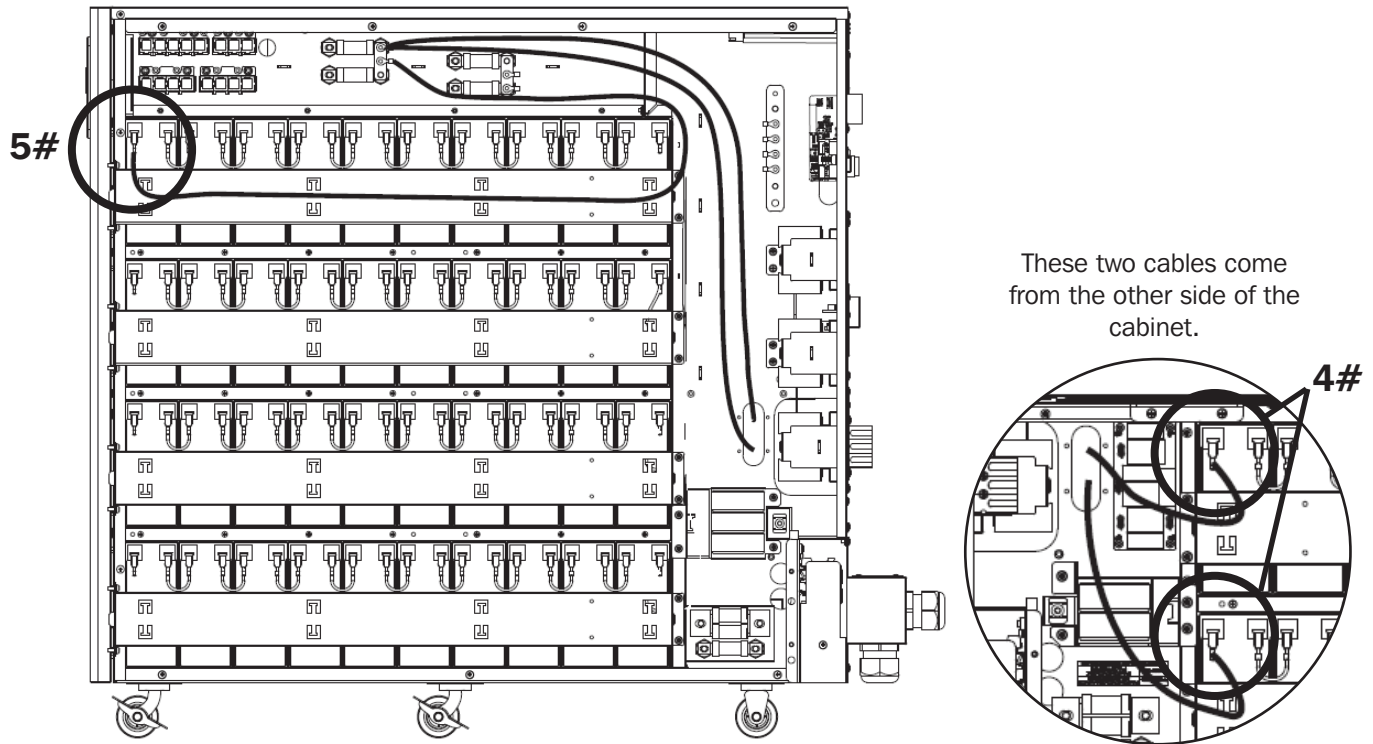
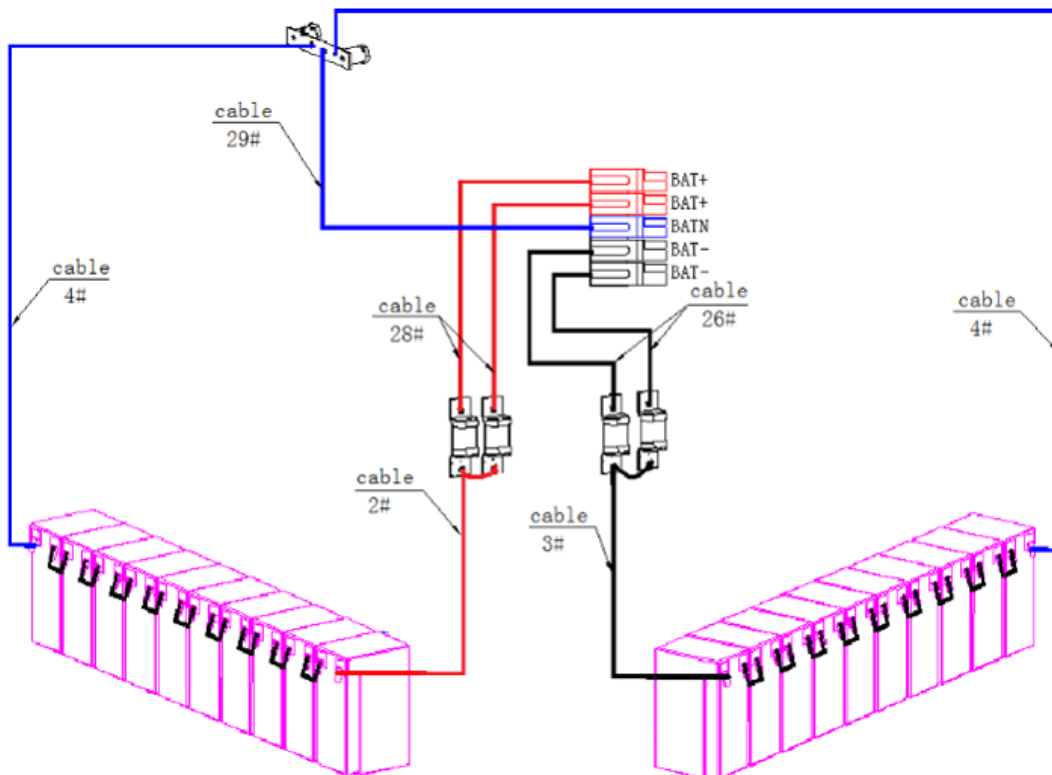


Figure 3-17: Connect Battery Packs to the Negative Fuse.

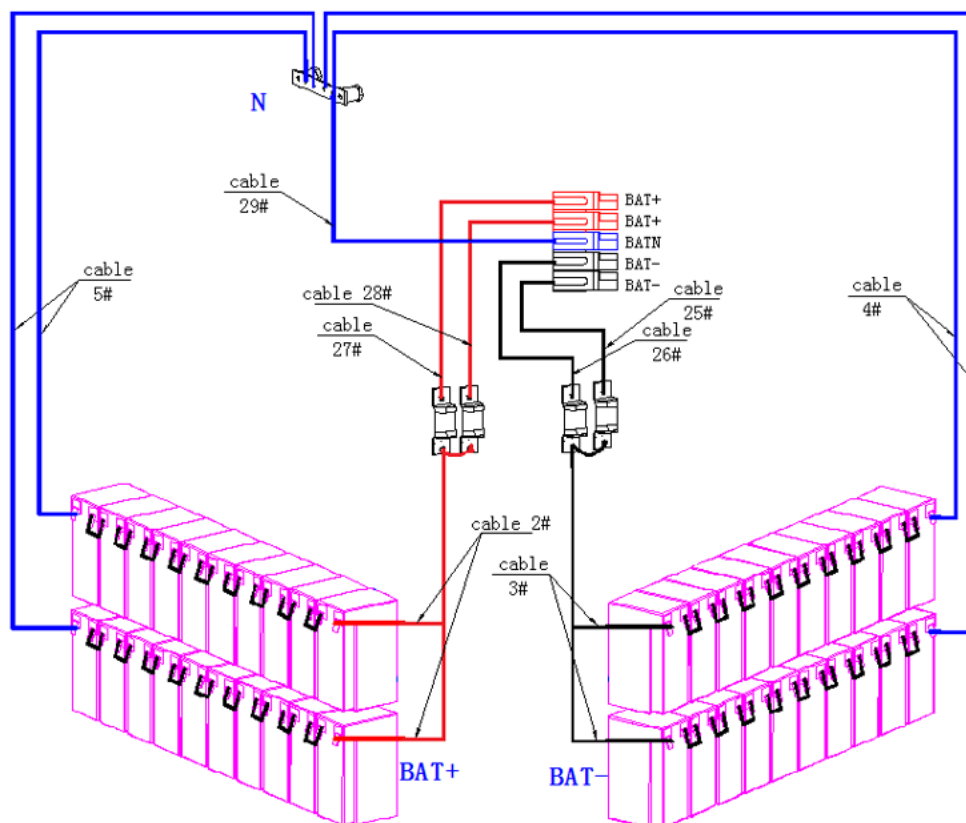


# 3. Installation and Wiring

## 3.10 Battery Connection

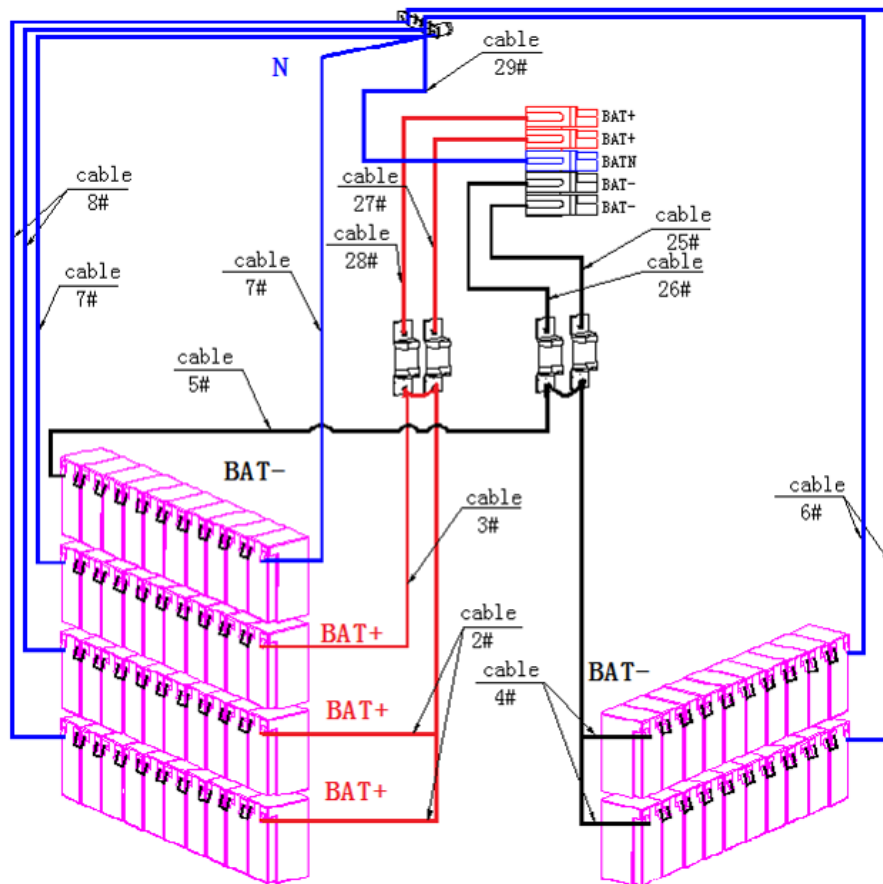


Wiring Diagram for Installation of 20 Batteries



Wiring Diagram for Installation of 40 Batteries

### 3. Installation and Wiring



Wiring Diagram for Installation of 60 Batteries

**Notes:**

The BAT+ of the UPS connect poles is connected to the anode of the positive battery. The BAT-N is connected to the cathode of the positive battery and the anode of the negative battery. The BAT- is connected to the cathode of the negative battery.

The factory setting of the standard unit is:

Battery Quantity – 20/40/60 Pieces

Battery Capacity – Maximum 12V 9AH

## 3. Installation and Wiring

### 3.11 Single UPS Installation

Installation and wiring must be performed in accordance with local electrical codes/regulations and should only be performed by qualified personnel.

1. Ensure the mains wire and breakers in the building can sustain the rated capacity of the UPS to avoid electric shock or fire hazard.

**Note:** Using a wall receptacle as the input power source for the UPS may result in the receptacle burning or being destroyed.

2. Switch off the mains switch in the building prior to installation.
3. Turn off all the connected devices before connecting to the UPS.
4. Prepare the power cables according to Table 3.2. Refer to Table 3.3 for recommended installed screw torque. See Table 3.4 for UPS input breaker sizes and Table 3.5 for battery cabinet batteries and breaker sizes.



**WARNING: Before connecting any wires, ensure the AC input and battery power are shut off completely.**

**Ensure you are aware of the location and operation of the external isolators that are connected to the UPS input/bypass supply of the utility distribution panel. Check to see if these supplies are electrically isolated, and post any necessary warning signs to prevent any inadvertent operation.**

Table 3.2: Power Cables

UPS Model	Recommended Cable Sizes - THHW wiring at 167°F (75°C)				
	AC Input	AC Output	DC Input	Grounding	Neutral
<b>10kVA</b>	8 AWG Max 2 AWG (35mm <sup>2</sup> )	8 AWG Max 2 AWG (35mm <sup>2</sup> )	6 AWG Max 6 AWG	8 AWG Max 2 AWG (35mm <sup>2</sup> )	8 AWG Max 2 AWG (35mm <sup>2</sup> )
<b>15kVA</b>	6 AWG Max 2 AWG (35mm <sup>2</sup> )	6 AWG Max 2 AWG (35mm <sup>2</sup> )	2 x 6 AWG Max 6 AWG	6 AWG Max 2 AWG (35mm <sup>2</sup> )	6 AWG Max 2 AWG (35mm <sup>2</sup> )
<b>20kVA</b>	4 AWG Max 2 AWG (35mm <sup>2</sup> )	4 AWG Max 2 AWG (35mm <sup>2</sup> )	2 x 6 AWG Max 6 AWG	4 AWG Max 2 AWG (35mm <sup>2</sup> )	4 AWG Max 2 AWG (35mm <sup>2</sup> )

Table 3.3: Recommended Installed Screw Torque

Screw Type	Position			
	AC Input	AC Output	Grounding	Neutral
<b>Recommended Torque (Nm)</b>	M6	M6	M6	M6
	6.5	6.5	6.5	6.5

Table 3.4: UPS Input Breakers

UPS Model	Capacity	UPS Input Breaker Thermal Magnetic
S3M10K1B	10kW	50A, 3 Pole, C-Curve
S3M10K2B		
S3M10K3B		
S3M10K-NIB		
S3M15K2B	15kW	63A, 3 Pole, C-Curve
S3M15K3B		
S3M15K-NIB		
S3M20K3B	20kW	80A, 3 Pole, C-Curve
S3M20K-NIB		

## 3. Installation and Wiring

Table 3.5: Battery Cabinet Batteries and Breakers. All battery cabinets are ISTA-3B tested.

Battery Cabinet Model	Batteries Included	Battery Quantity and Ah Capacity	Breakers	Fuses
BP240V09 / 09K	Yes	80 x 9Ah	1 x 125A, 3 Pole	2 x 160A
BP240V09-NIB	No	Designed for 80 x 9Ah	1 x 125A, 3 Pole	2 x 160A
BP240V40	Yes	20 x 40Ah	1 x 250A, 3 Pole	4 x 250A
BP240V40L	Yes	40 x 40Ah	1 x 250A, 3 Pole	4 x 250A
BP240V40-NIB	No	Designed for 20 (CSB GP12400i) x 40AH	1 x 250A, 3 Pole	4 x 250A
BP240V40L-NIB	No	Designed for 40 (CSB GP12400i) x 40Ah	1 x 250A, 3 Pole	4 x 250A

### 3.12 Single Input Power Cable Connection

Once the equipment has been positioned and secured, connect the power cables as described in the procedure below.

Verify the UPS is totally isolated from its external power source and that all power isolators of the UPS are open. Ensure they are electrically isolated, and post any necessary warning signs to prevent their independent operation.

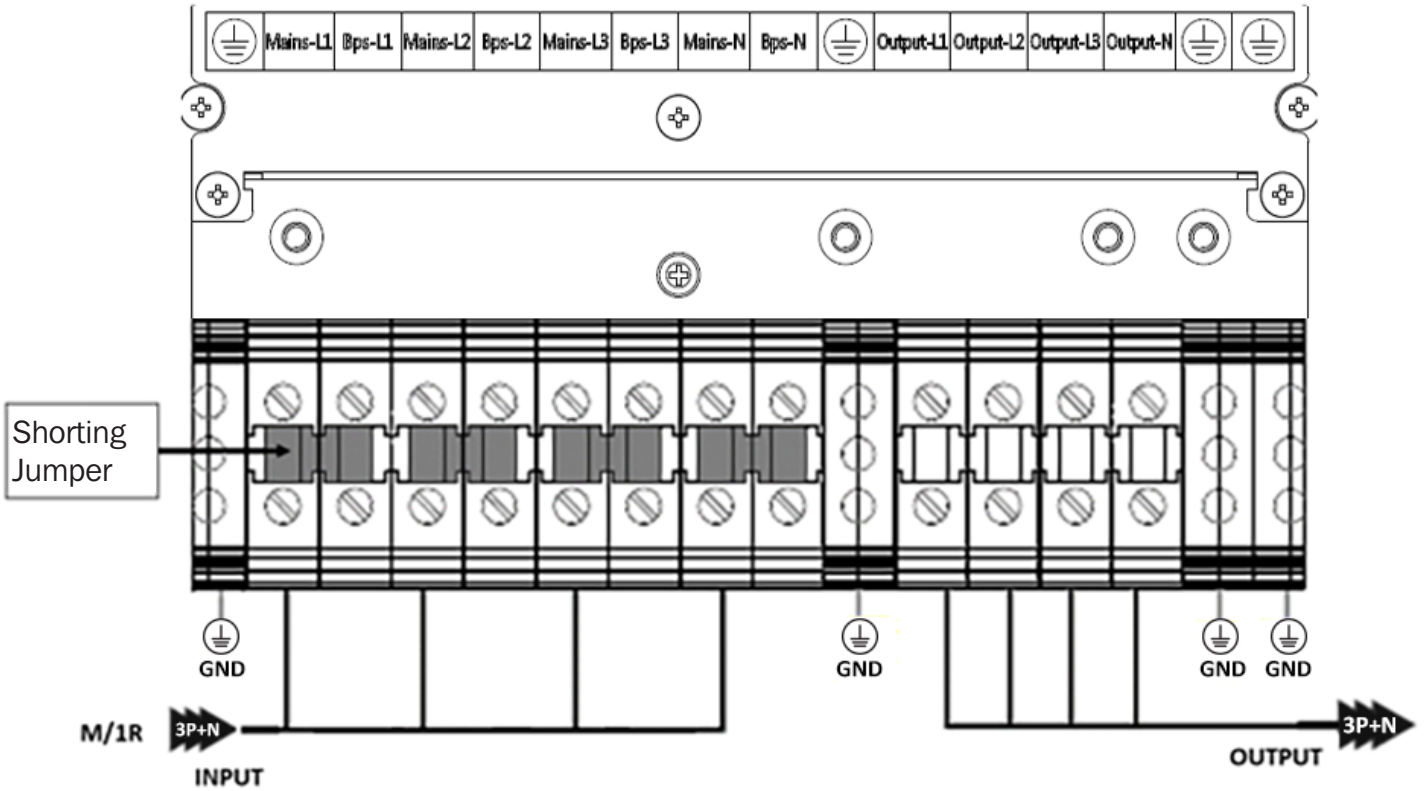
Remove the terminal block cover to access the UPS system's input, output and grounding connection terminals. Then connect the wires according to the terminal block diagram shown below. Connect the grounding/earthing wires first when making other wire connections.

**Notes:**

- Ensure the wires are connected tightly and securely to the terminals.
- Install the output breaker between the output terminal and the load. The breaker should be qualified with leakage current protective function.
- Cabling should be protected by flexible conduit and routed through the appropriate knockouts in the terminal block cover.
- Be sure to also add an equipotential bonding wire between the UPS and the external battery cabinets.

# 3. Installation and Wiring

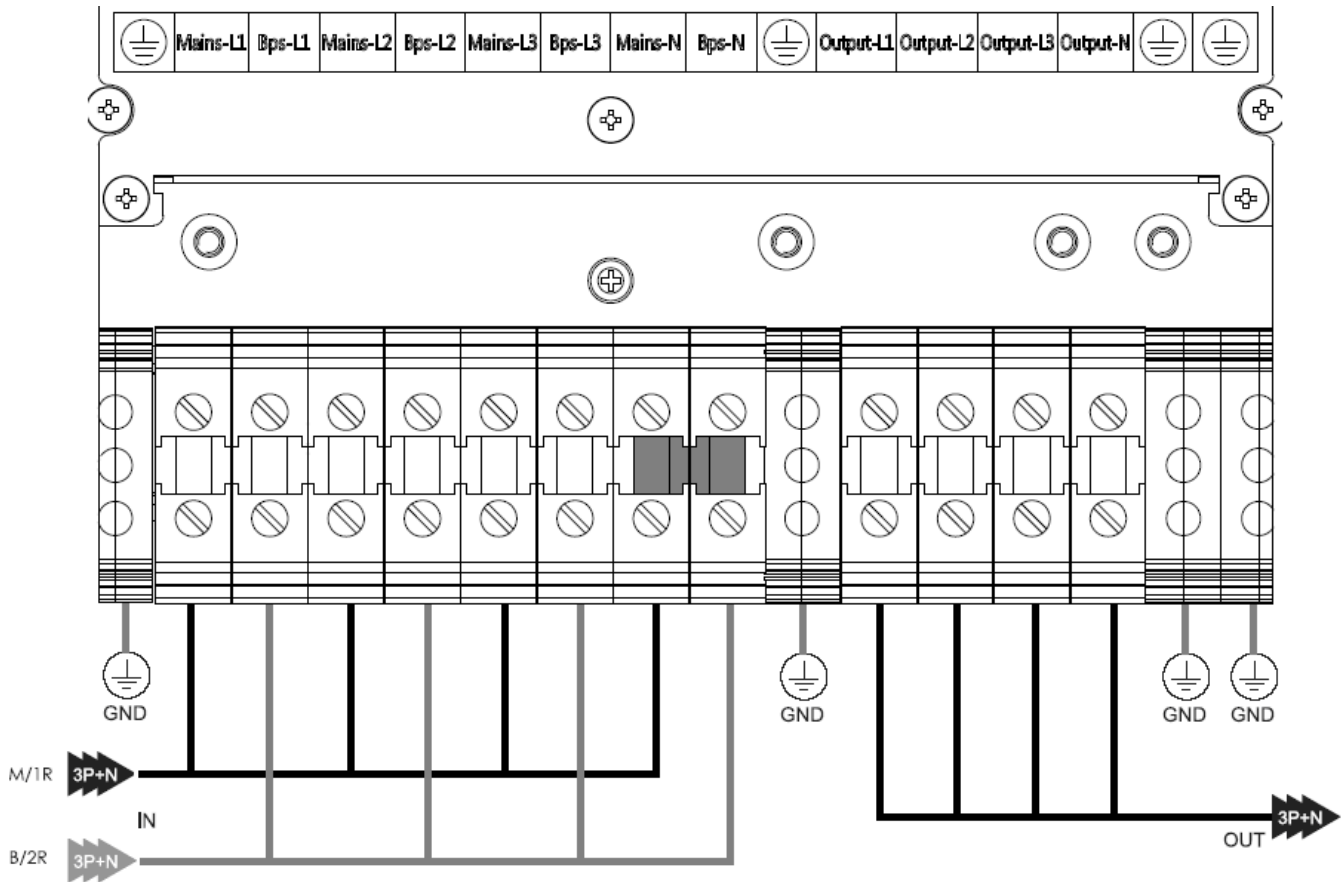
## 3.12.1 Single Input (Mains) Connection



M/1R PRIMARY (Mains) INPUT CONNECTION	OUTPUT and BATTERY CONNECTION
	<b>Output-L1:</b> Output Phase L1
<b>Input -L1:</b> Primary input Phase L1	<b>Output-L2:</b> Output Phase L2
<b>Input -L2:</b> Primary input Phase L2	<b>Output-L3:</b> Output Phase L3
<b>Input -L3:</b> Primary input Phase L3	<b>Output-N:</b> Output Neutral
<b>Input-N:</b> Input Neutral for primary and secondary input	<b>GND:</b> Grounding
	<b>BAT+:</b> Positive terminal of the batteries string
	<b>BATN:</b> Neutral terminal of the batteries string
	<b>BAT-:</b> Negative terminal of the batteries string

## 3. Installation and Wiring

### 3.13 Dual Input (Mains and Bypass) Connections



M/1R PRIMARY (Mains) INPUT CONNECTION	OUTPUT and BATTERY CONNECTION
<b>B/2R SECONDARY- BYPASS (Bps) INPUT</b>	<b>Output-L1:</b> Output Phase L1
<b>Mains-L1:</b> Primary input Phase L1	<b>Output-L2:</b> Output Phase L2
<b>Mains-L2:</b> Primary input Phase L2	<b>Output-L3:</b> Output Phase L3
<b>Mains-L3:</b> Primary input Phase L3	<b>Output-N:</b> Output Neutral
<b>Input-N:</b> Input Neutral for primary and secondary input	<b>GND:</b> Grounding
<b>Bps-L1:</b> Secondary input Phase L1	<b>BAT +:</b> Positive terminal of the batteries string
<b>Bps-L2:</b> Secondary input Phase L2	<b>BATN:</b> Neutral terminal of the batteries string
<b>Bps-L3:</b> Secondary input Phase L3	<b>BAT-:</b> Negative terminal of the batteries string



**WARNING:** In the case of dual input operation, ensure the shorting jumper between each input line has been removed. The AC input and the AC bypass supplies must be referenced to the same neutral point.

Choose the appropriate power cable (refer to Table 3.2 above).

## 3. Installation and Wiring

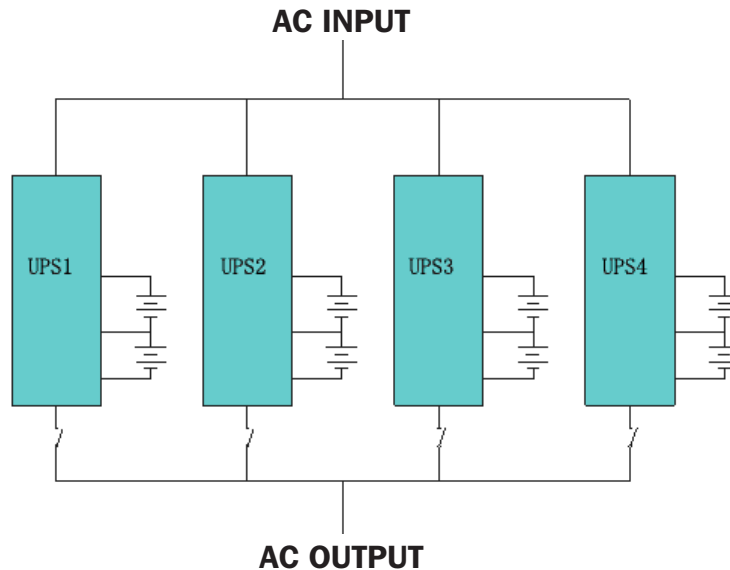
### 3.14 UPS Installation for Parallel Systems



**WARNING:** Installation and wiring must be performed in accordance with local codes/regulations and installed using the following instructions by a qualified electrical service technician only.

#### Cabinet Installation

Connect the UPS for parallel installation per the diagram below.



Ensure each UPS input breaker is in “off” position and there is no output from any connected UPS. Battery groups can be connected separately or in parallel, which means the system itself provides both separate battery and common battery.



**WARNING!** Make sure the N, L1, L2 and L3 lines are correct and grounding is well connected.

#### 3.14.1 Parallel Cable Installation

Shielded and double-insulated control cables available must be interconnected in a ring configuration between UPS units as shown in Figure 3-18. The ring configuration ensures high reliability of the control. Use only the parallel cables supplied by Tripp Lite.

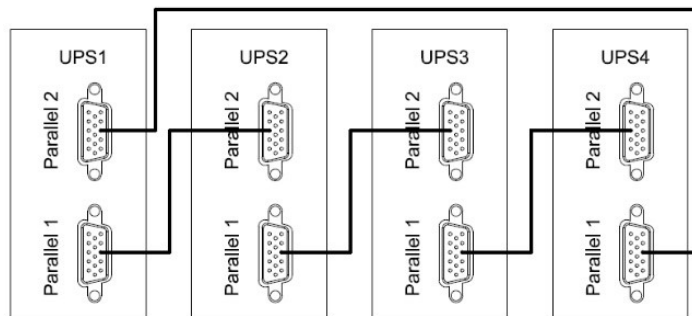


Figure 3-18: Parallel Cable Installation

## 3. Installation and Wiring

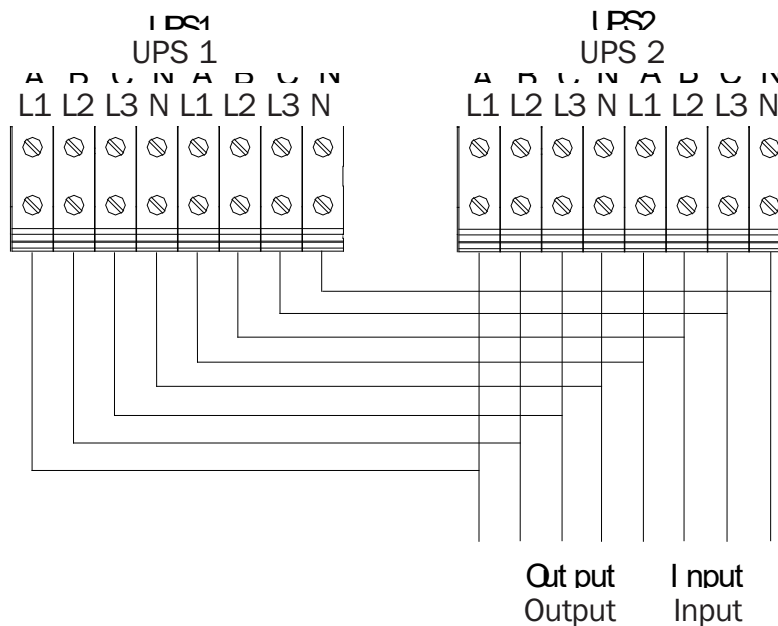
### 3.14.2 Parallel System Requirements

A group of UPS systems connected in parallel for capacity or redundancy behaves as one UPS system, but with the advantage of higher reliability. In order to assure all connected UPS systems are utilized equally and compliant with wiring codes, following these requirements:

1. All UPS systems must be of the same rating and be connected to the same bypass source.
2. The outputs of all the UPS systems must be connected to a common output bus.
3. The length and specification of power cables, including the bypass input cables and the UPS output cables, should be the same. This facilitates load sharing when operating in bypass mode.

Parallel configuration supports up to four UPS systems of the same kVA rating. Do not attempt to link more than four UPS systems via parallel configuration.

1. Install and wire the UPS system as shown in Figure 3-19.
2. When installing the parallel system, the length of input wires (L1, L2, L3, N) in one UPS must be equal to the input wires of the other UPS. Likewise, the length of output wires (L1, L2, L3, N) must also be in equal length. If not, it will cause unbalanced current on the output load.
3. Connect the input wiring of each UPS to an input breaker.
4. Connect all input breaker wiring to a main input breaker.
5. Connect the output wiring of each UPS to an output breaker.
6. Connect all output breakers to a main output breaker. This main output breaker will directly connect to the loads.
7. If an external battery pack is used, each UPS must be connected to an independent battery pack or a common battery pack.



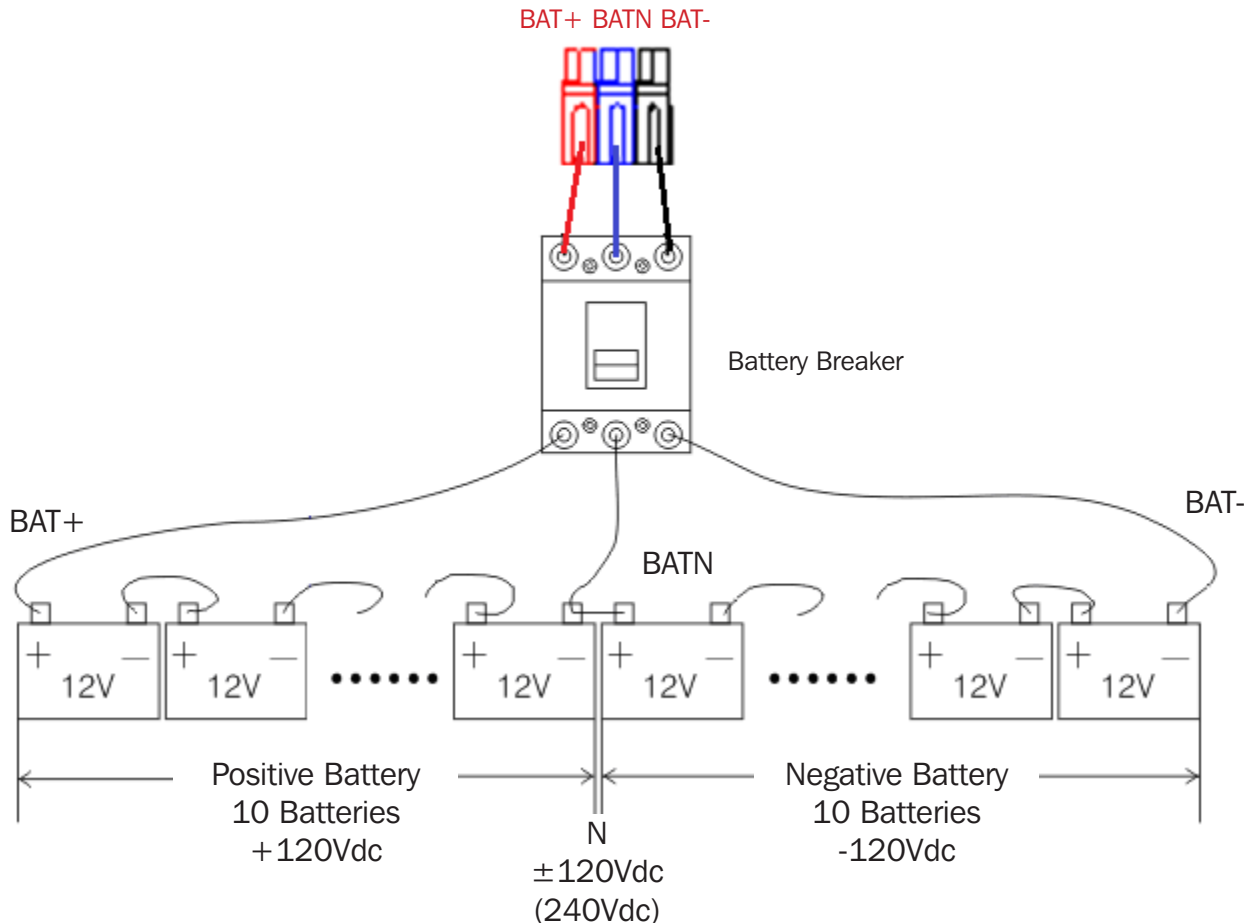
**Note:** Refer to section 4.3.6.2 steps 1 and 2 for information on configuring the UPS in parallel.



## 3. Installation and Wiring

### 3.15 External Battery Connections

The UPS has positive and negative double battery framework, with a total of 20 batteries in series. A neutral cable is retrieved from the joint between the cathode of the tenth battery and the anode of the tenth battery. Then the neutral cable, the battery positive and the battery negative, respectively, are connected with the UPS. The battery sets between the battery anode and the neutral are called positive batteries, and those between neutral and cathode are called negative batteries. Refer to section **3.9.1 UPS and Battery Cabinet Compatibility**.



#### Notes:

- The BAT+ of the UPS connect poles is connected to the anode of the positive battery.
- The BAT-N is connected to the cathode of the positive battery and the anode of the negative battery.
- The BAT- is connected to the cathode of the negative battery.
- The default settings of the long-run unit are for 20 batteries. When connecting batteries (in multiples of 20), set the correct battery quantity and capacity after the UPS starts in AC mode. Charger current adjusts automatically according to battery capacity selected. All related settings can be done through the LCD panel or monitoring software.



#### CAUTION!

Ensure correct polarity battery string series connection, i.e. inter-tier and inter-block connections are from (+) to (-) terminals.

Do not mix batteries with different capacity or of different brands. Do not mix new and old batteries.



#### WARNING!

Ensure correct polarity of string end connections to the battery circuit breaker and from the battery circuit breaker to the UPS terminals, i.e. (+) to (+) / (-) to (-), but disconnect one or more battery cell links in each tier. Do not reconnect these links and do not close the battery circuit breaker unless authorized by the commissioning technician.

## 3. Installation and Wiring

### Multiple Battery Pack Connections



**CAUTION!**

Ensure correct polarity of the battery string series connection. **DO NOT** mix batteries with different capacity or different brands, or new or old batteries.



**WARNING!**

Ensure correct polarity of string end connections to the battery circuit breaker, and from the battery circuit breaker to the UPS terminals (i.e., (+) to (+) / (-) to (-) / (N) TO (N)). Disconnect one or more battery cell links in each tier. Do not reconnect these links and do not close the battery circuit breaker unless all connections are properly checked and approved.

### 3.15.1 Installation and Setup

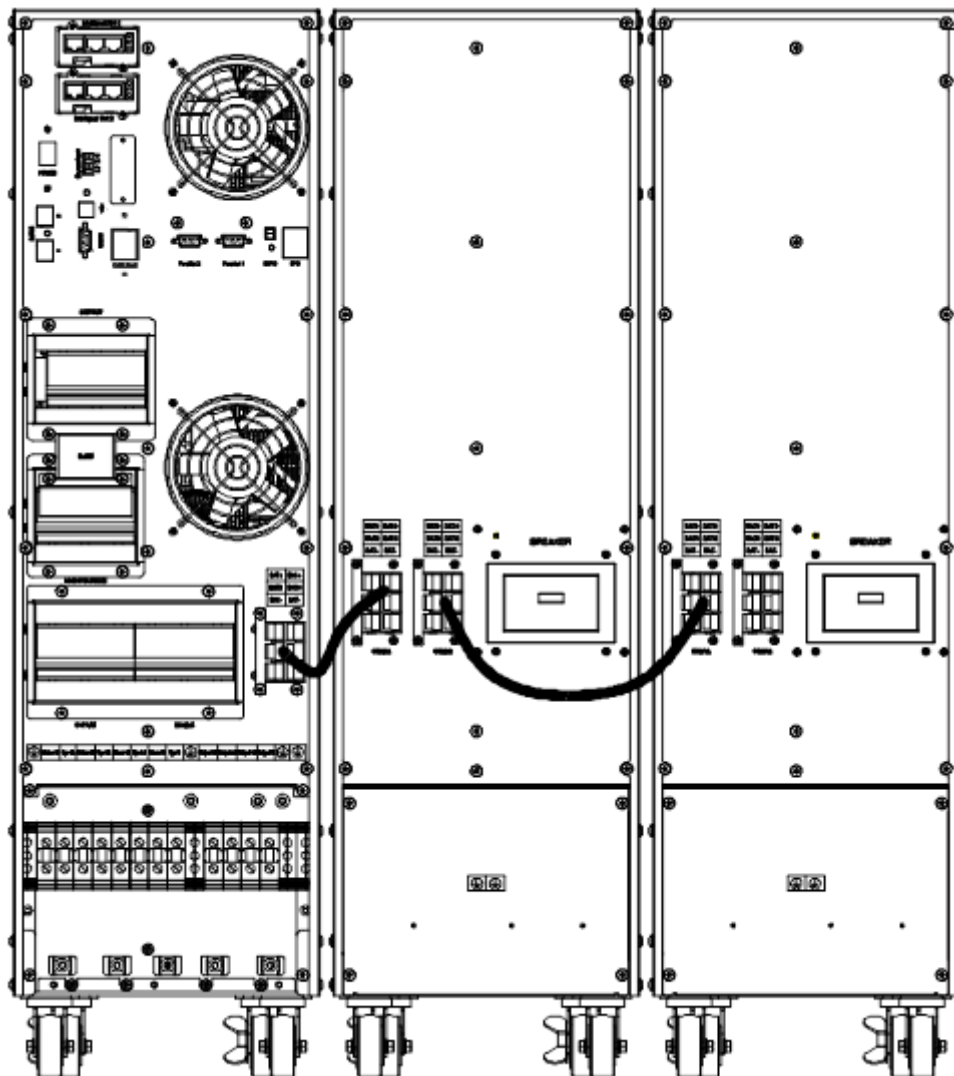


Figure 3-19: 10kVA, 15 kVA and 20kVA Battery Connection

**Note:** Before installation, inspect the unit. Any damage to packing should be noted at the time of receipt with the delivery carrier. Ensure nothing inside the package is damaged. Retain the original packing material in a safe place for future use.

Remove the rail kit, battery enclosure and battery modules from the packaging.

**Note:** The battery modules are very heavy. Be cautious when unpacking and lifting the unit to avoid injury.

**Note:** Refer to section 4.3.6.2, Step 4 for information on configuring the battery Ah capacity, the number of batteries and the number of battery cabinets.

# 4. Operation

## 4.1 Operation Modes

The UPS is a double-conversion on-line UPS that may operate in the following alternative modes:

### 4.1.1 AC Line Mode

The rectifier/charger derives power from the AC mains and supplies DC power to the inverter while floating and boosting charge to the battery simultaneously. Then, the inverter converts the DC power to AC and supplies to the load.

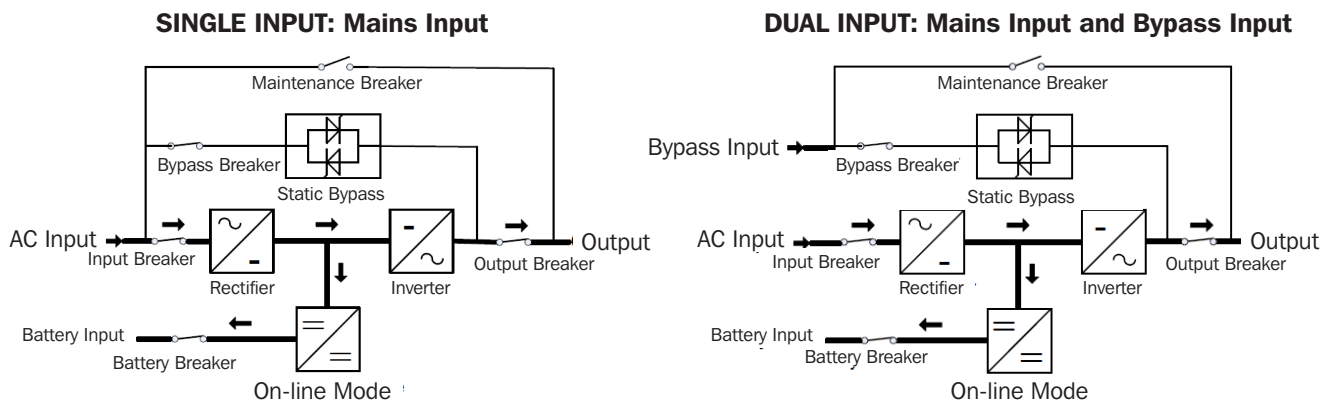


Figure 4-1: AC Line Mode

### 4.1.2 Battery Mode (Stored Energy Mode)

If the AC mains input power fails, the inverter, which obtains power from the battery, supplies the critical AC load. There is no power interruption to the critical load. The UPS will automatically return to Normal Mode when AC recovers.

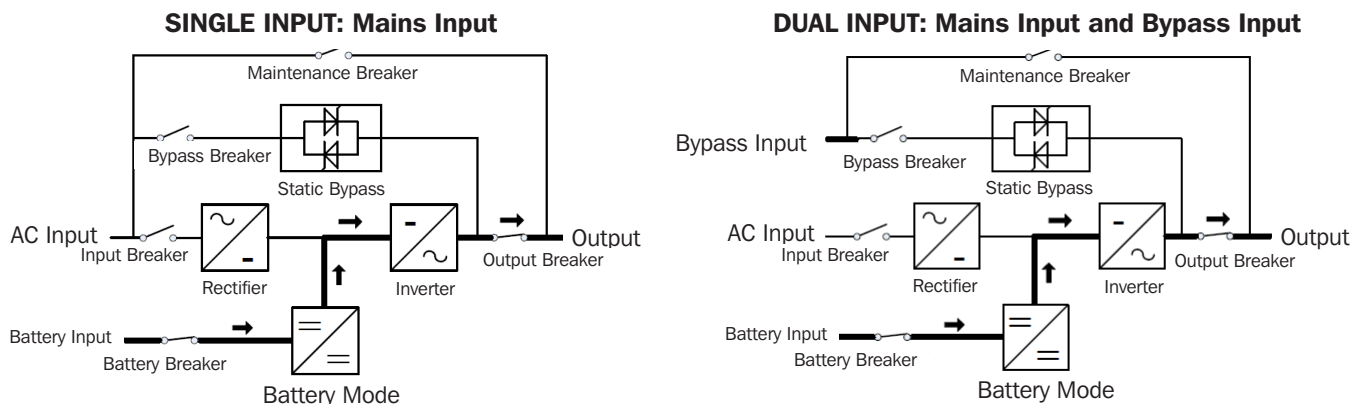


Figure 4-2: Battery Mode

## 4. Operation

### 4.1.3 Bypass Mode

If the inverter is out of order, or if overload occurs, the static transfer switch will activate to transfer the load from the inverter supply to bypass supply without interruption to the critical load. In the event the inverter output is not synchronized with the bypass AC source, the static switch will perform a transfer of the load from the inverter to the bypass with power interruption to the critical AC load. This is to avoid paralleling of unsynchronized AC sources. This interruption is programmable but typically set to be less than an electrical cycle, e.g. less than 15 ms (50 Hz) or less than 13.33 ms (60 Hz).

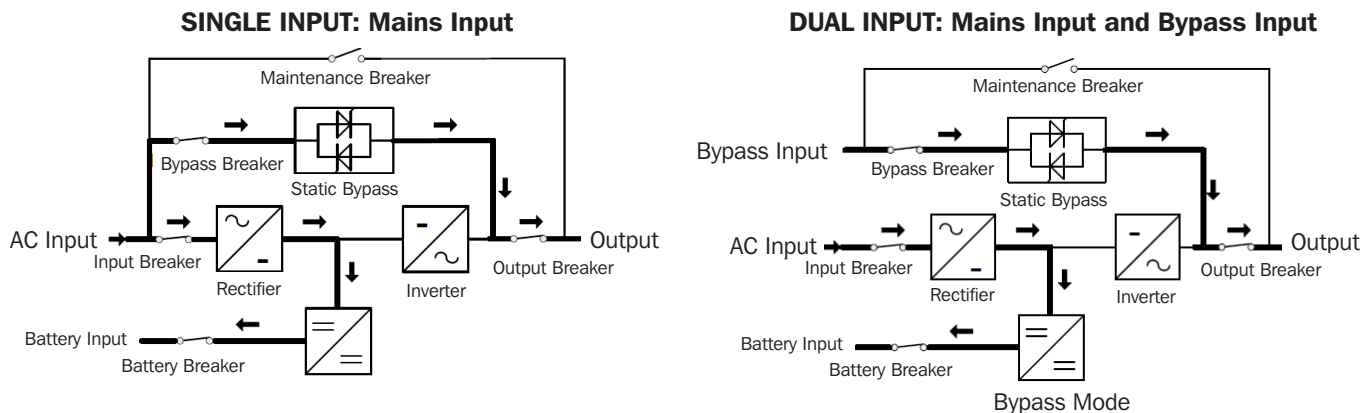


Figure 4-3: Bypass Mode

### 4.1.4 ECO Mode

When the UPS is at AC Mode and the requirement to the load is not critical, the UPS can be set at ECO mode in order to increase the efficiency of the power supplied. At ECO mode, the UPS works at Line-Interactive mode, so the UPS will transfer to bypass supply. When the AC is out of set window, the UPS will transfer from bypass to Inverter and supplies power from the battery, and then the LCD shows all related information on the screen. The UPS will default to ECO Mode after powering up.

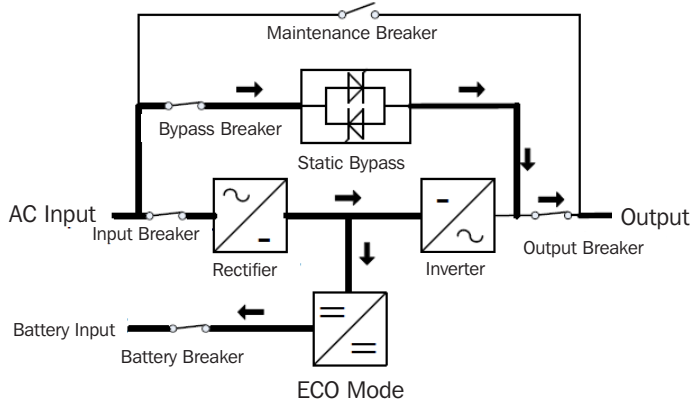


Figure 4-4: ECO Mode

## 4. Operation

### 4.1.5 Maintenance Mode (Manual Bypass)

A manual bypass switch is available to ensure continuity of supply to the critical load when the UPS is out of order or in repair and this manual bypass switch bears for equivalent rated load.

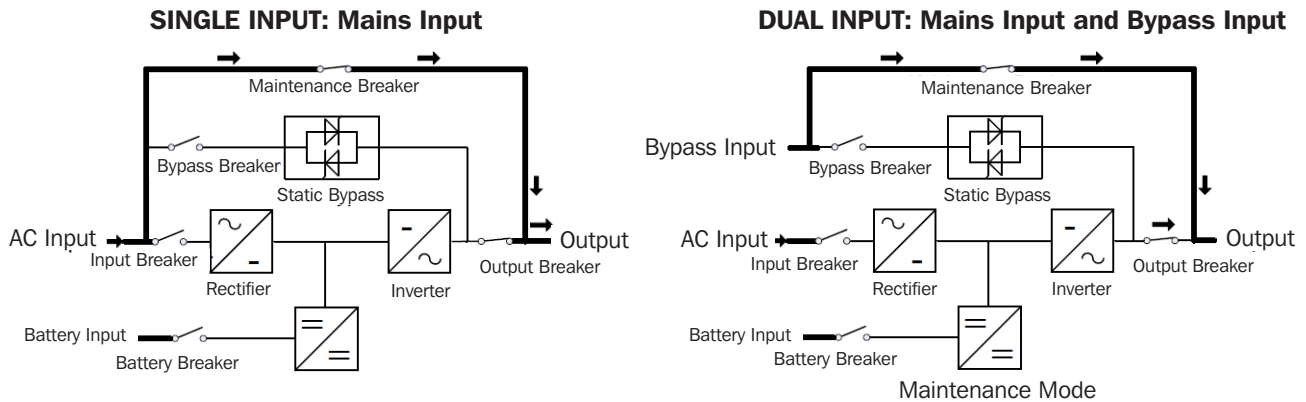


Figure 4-5: Maintenance Mode

## 4.2 Turning the UPS On/Off

### 4.2.1 Basic Startup

Upon completion of the following procedure, the UPS will support the load in Online Mode or ECO Mode if enabled.

1. Confirm the battery is connected. Turn ON any external battery cabinet breakers (if applicable).
2. Turn ON the POWER switch on the rear of the UPS.
3. Turn ON the Bypass Breaker.
4. Turn ON the Main Input Breaker.
5. Turn ON the Output Breaker.
6. The inverter will perform a slow startup and build up to nominal voltage. The UPS will transfer to Online Mode or ECO Mode (if enabled) within one to two minutes.
7. Confirm no active alarms are present.

### 4.2.2 UPS Shutdown

Upon completion of the following procedure, the UPS will be powered off and the load will not be supported.

1. With the UPS in Online Mode or ECO Mode, stop the inverter using the display menu (Home > Common > INV ON/OFF > INV OFF). The UPS will transfer to Bypass Mode. Confirm the Bypass LED is illuminated and the LCD displays Bypass Mode before proceeding.
2. Turn OFF the Output Breaker. The load will be dropped.
3. Turn OFF the Main Input breaker.
4. Turn OFF the Bypass breaker. The UPS will power down shortly afterwards.
5. Turn OFF the POWER switch on the rear of the UPS.
6. Turn off the Battery breaker from the external battery cabinet (if applicable).

## 4. Operation

### 4.2.3 Cold Start

Upon completion of the following procedure, the UPS will support the load from battery power.

1. Confirm the battery is connected. Turn ON any external battery cabinet breakers (if applicable).
2. Turn ON the POWER switch on the rear of the UPS.
3. Turn ON the Output breaker.
4. Press the Cold Start button on the rear of the UPS. The inverter will perform a slow startup and build up to nominal voltage. Upon completion, the UPS will transfer to Battery Mode and support the load.
5. Once utility power is restored and stabilized, turn ON the Bypass breaker and Main Input breaker. The UPS will transfer to Online Mode or ECO Mode (if enabled).
6. Confirm no active alarms are present.

### 4.2.4 Transfer to Maintenance Bypass Mode

Upon completion of the following procedure, the UPS will shut down. However, power will continue to be supplied to the output terminal block.

1. Remove the Maintenance Bypass breaker cover on the rear of the UPS by removing the two (2) mounting screws. The UPS will transfer to Bypass Mode automatically. Confirm the Bypass LED is illuminated and the LCD displays Maintenance Bypass before proceeding.
2. Turn ON the Maintenance Bypass breaker.
3. Turn OFF the Output breaker.
4. Turn OFF the Main Input breaker.
5. Turn OFF the Bypass breaker. The UPS will power down shortly afterwards.
6. Turn OFF the POWER switch on the rear of the UPS.
7. Turn off the Battery breaker from the external battery cabinet (if applicable). The load is now powered through Maintenance Bypass.

### 4.2.5 Transfer from Maintenance Bypass Mode to Online or ECO Mode

The UPS will return to Online Mode or ECO Mode (if enabled) upon completion of the following procedure.

1. Confirm the battery is connected. Turn ON any external battery cabinet breakers (if applicable).
2. Turn ON the POWER switch on the rear of the UPS.
3. Turn ON the Bypass breaker.
4. Turn ON the Main Input breaker.
5. Turn ON the Output breaker.
6. The UPS will transfer to Bypass Mode shortly after initialization. Confirm the unit has transferred to Maintenance Bypass mode and the Bypass LED is illuminated before proceeding.
7. Turn OFF the Maintenance Bypass breaker.
8. Reattach the Maintenance Bypass breaker cover plate to the UPS using the supplied screws.
9. The UPS will transfer to Online Mode or ECO Mode within one to two minutes. The inverter will perform a slow startup and build up to nominal voltage. Upon completion, the UPS will transfer to Online mode or ECO Mode (if enabled).
10. Confirm no active alarms are present.

## 4. Operation

### 4.3 Alarms, LEDs and the LCD Display

#### 4.3.1 Overview of Audible Alarms and LED Indicators

		Audible Alarms		Display LEDs			
		Alarm Status	Mutable On/Off	Alarm	Bypass	Battery	Inverter
<b>UPS Modes</b>	UPS Initialization	Beeps, Only Once	No	Blink/ 0.5 Second	Blink/ 0.5 Second	Blink/ 0.5 Second	Blink/ 0.5 Second
	UPS Online Mode (Normal)	No Beeps	No Beeps	OFF	OFF	OFF	ON
	UPS Battery Mode	Beeps/2 Seconds	Yes	OFF	OFF	ON	OFF
	UPS Battery Test Mode	No Beeps	No Beeps	OFF	OFF	ON	OFF
	UPS ECO Mode	No Beeps	No Beeps	OFF	ON	OFF	OFF
	UPS Standby Mode	No Beeps	No Beeps	OFF	OFF	OFF	OFF
	UPS Static Bypass Mode	No Beeps	No Beeps	OFF	ON	OFF	OFF
	UPS Maintenance Bypass Mode	No Beeps	No Beeps	OFF	ON	OFF	OFF
	UPS Frequency Converter Mode	No Beeps	No Beeps	OFF	OFF	OFF	ON
	Overload (Bypass Mode or Battery Mode)	Beeps/1 Second	Yes	OFF	ON	ON	OFF

#### 4.3.2 LCD Control Panel Introduction

The built-in LCD display is feature-rich and intuitive to use. The following covers the main features accessible through the display.

**Note:** Most settings cannot be changed when the UPS is in inverter mode.

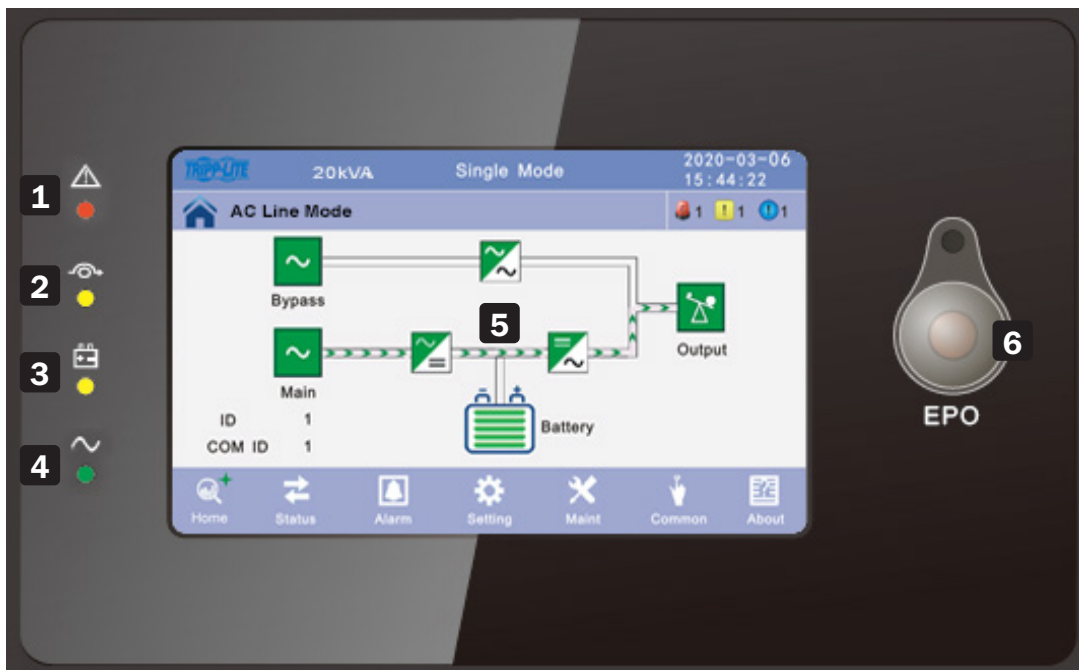


Figure 4.6: Overview of the operating panel of the UPS

- 1** Alarm LED
- 2** Bypass LED
- 3** Battery LED
- 4** Inverter LED
- 5** Touchscreen LCD Screen, 5 in. (127 mm)
- 6** EPO Button (button must be pressed for at least 3 seconds to activate EPO)

## 4. Operation

### 4.3.3 Main Page: Default Display

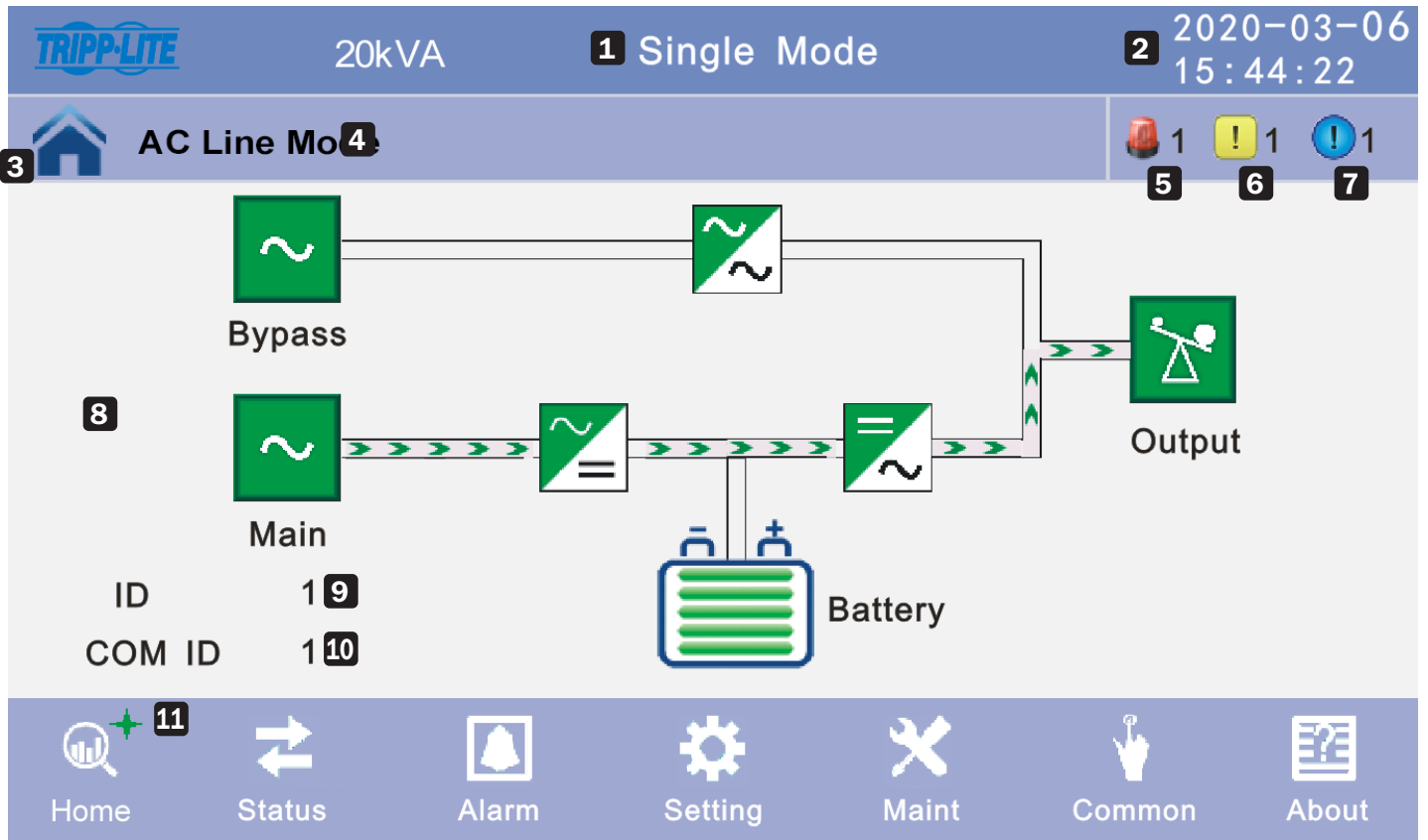


Figure 4.7: LCD Main Page

- 1 Single Mode = Single UPS (not connected in parallel)
- 2 Date/Time
- 3 Home Page = Sys Status
- 4 Operation Status
- 5 Fault
- 6 Alarm
- 7 Event
- 8 Data page
- 9 Equipment ID
- 10 Communication ID
- 11 Current Screen Selected (indicated by green plus sign ✦)



## 4. Operation

### 4.3.4 Status Screen

Click the **Status** icon to enter the status display window, view the voltage and current of the main, bypass, output and battery (or input through the real-time data block), view the status of the switch and view the status of the dry contact. Click the icon to enter the corresponding data window.

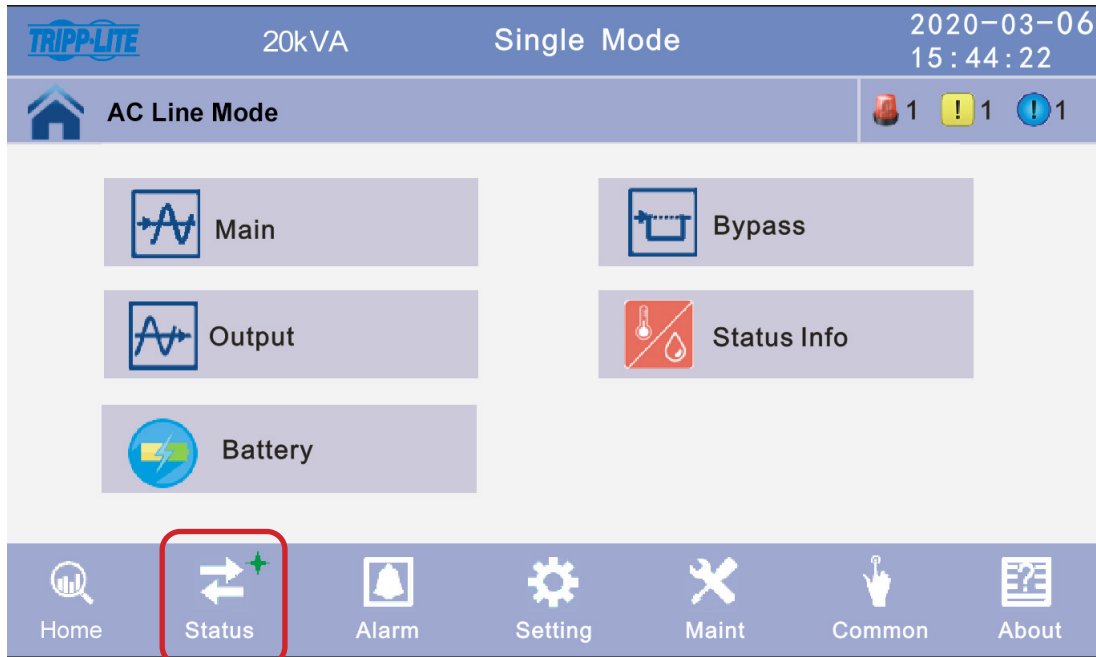


Figure 4-8: Status Screen

1. Click the **Main** icon to enter the main data display window. Click the arrow on the lower right side of the display to return to last window. Click the homepage icon to jump to the main page.

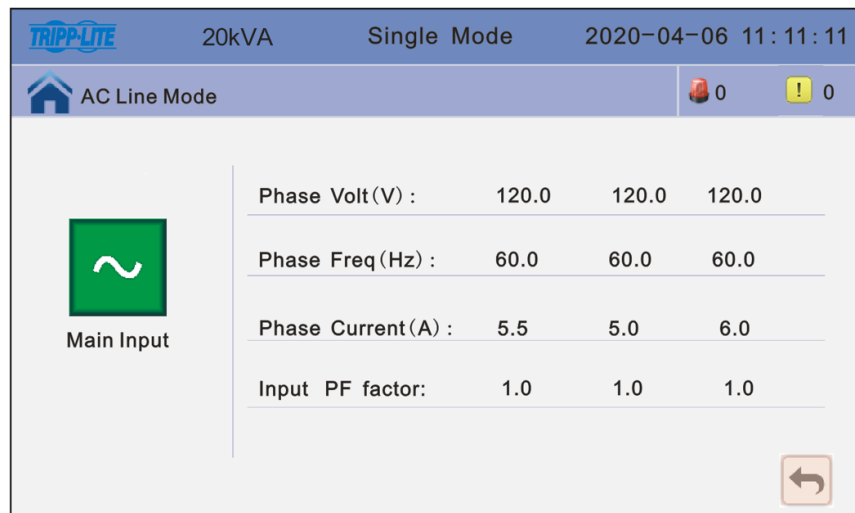


Figure 4-9: Main Data Display Window

## 4. Operation

2. Click the **Bypass** icon to enter the bypass data display window. Click the **Back** icon to return to the last window. Click the **Home Page** icon to jump to the main page.

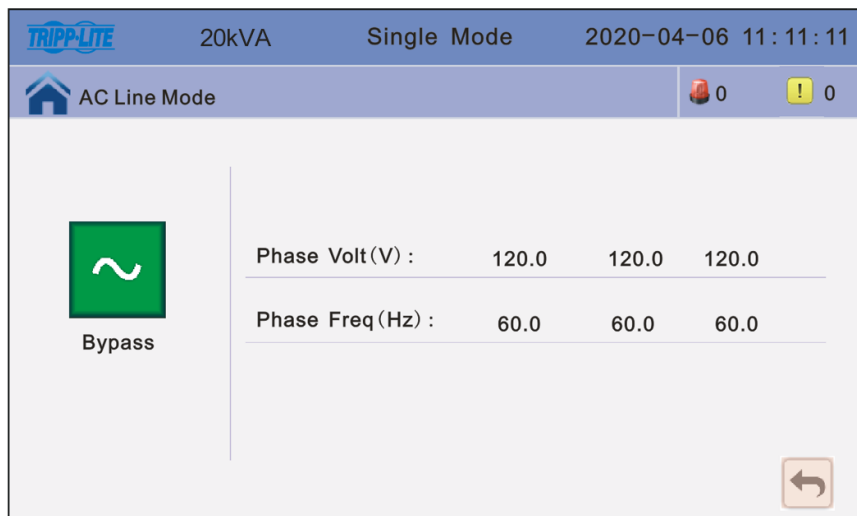


Figure 4-10: Bypass Data Display Window

3. Click the **Output** icon to enter the output data display window. Click the **Back** icon to return to the last window. Click the **Home Page** icon to jump to the main page.

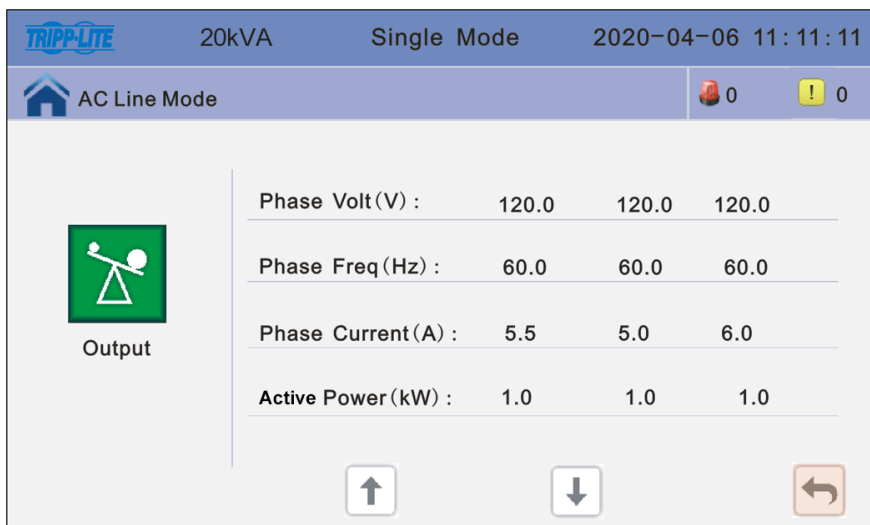


Figure 4-11: Output Data Display Window

**Note:** The up/down arrows at the bottom of the display may be used to scroll through the display to access other variables such as: Apparent Power (kVA), Load Rate (%) and Load Peak Ratio.

## 4. Operation

4. Click the **Status Info** icon to enter the status display window. Click the **Back** icon to return to the last window. Click the **Home Page** icon to jump to the main page. The default setting for temperature is degrees Celsius.

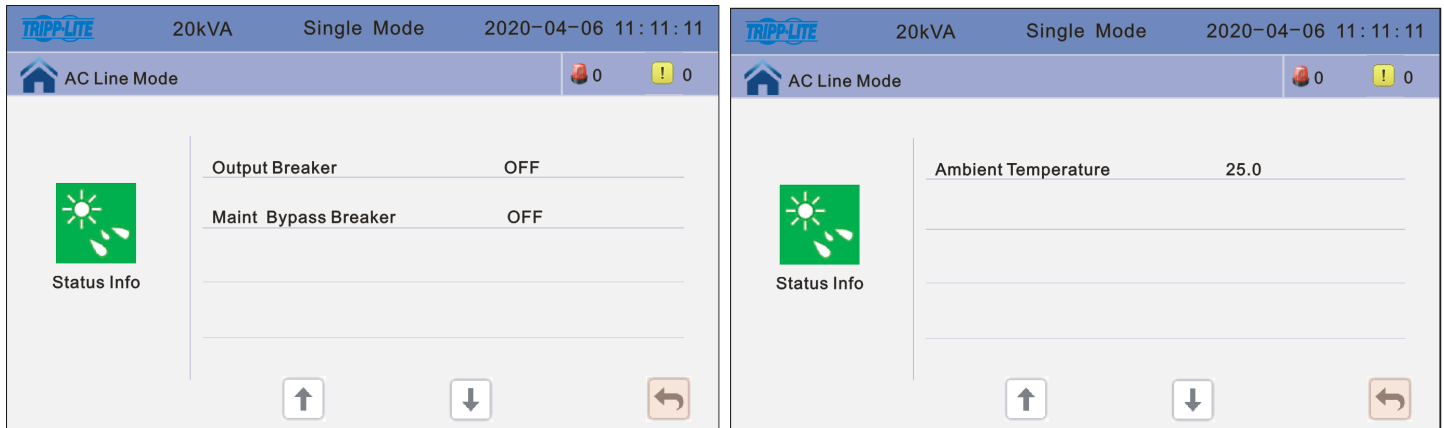


Figure 4-12: Status Display Window

5. Click the **Battery** icon to enter the battery data display window. Click the **Back** icon to return to the last window. Click the **Home Page** icon to jump to the main page. Battery Temperature will display 0.0 unless you are using a battery thermostat sensor on the batteries, connected to the UPS system's RJ45 port.

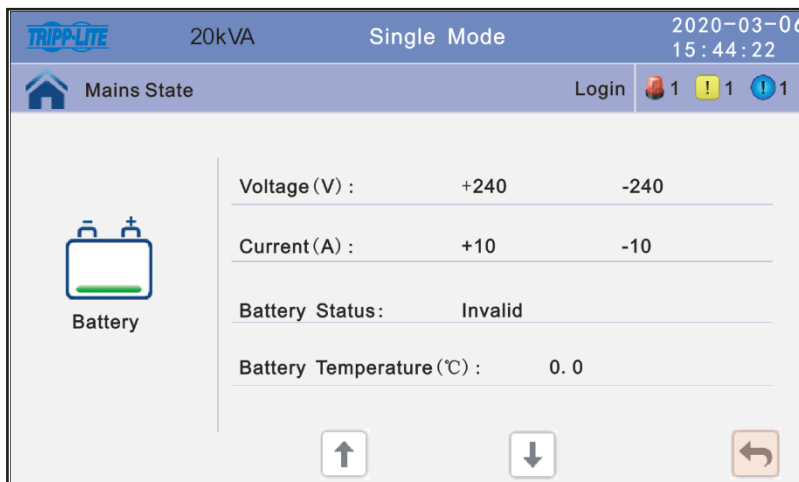


Figure 4-13: Battery Data Display Window

**Note:** The up/down arrows at the bottom of the display may be used to scroll through the display to access other variables: Battery Capacity Rate (%) and Backup Time (min).

## 4. Operation

### 4.3.5 Alarm Interface

Click the **Alarm** icon to enter the alarm interface, view UPS alarms and alarm history and turn the buzzer on or off.

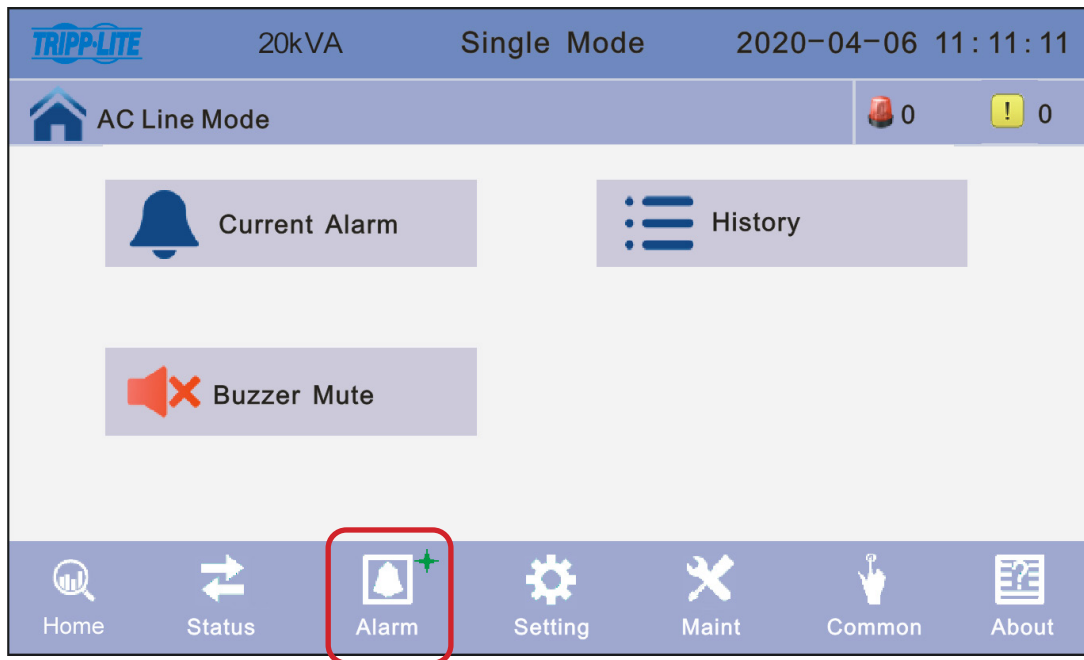


Figure 4-14: Alarm Interface

1. Click the **Current Alarm** icon to enter the current alarm display window. Click the **Back** icon to return to the last window. Click the **Home Page** icon to jump to the main page.

No.	Level	Info	Loc
001	!	14C-01 ECU Abnormal	ECU 01
002	!	09C-01 Dry Node Comm. Fault	ECU 01

Figure 4-15: Current Alarm Display Window

## 4. Operation

- Click the **History** icon to access the UPS event history. The UPS stores up to 4,000 events. Scroll up and down the page to view all recent alarms. Click the **Back** icon to return to the last window. Click the **Home Page** icon to jump to the main page.

The screenshot shows the 'History' window of the TRIPP-LITE UPS interface. The header includes the TRIPP-LITE logo, '20kVA', 'Single Mode', and the date/time '2020-04-06 11:11:11'. Below the header, it indicates 'AC Line Mode' with '0' red and '0' yellow alarm icons. The main content is a table titled 'History' with the following data:

No.	Level	Info	Loc	Time
0001	!	Inverted Worked	System	2018-06-15 18:12:00
0002	!	On Line	System	2018-06-15 18:12:00
0003	!	Rectifier Activated	System	2018-06-15 18:12:00

Navigation icons for up, down, and back are visible on the right side of the table.

Figure 4-16: History Display Window

- Click the **Buzzer Mute** icon to silence the buzzer. The red icon will turn green. To turn the buzzer on, click the **Buzzer Open** icon. The green icon will turn red.

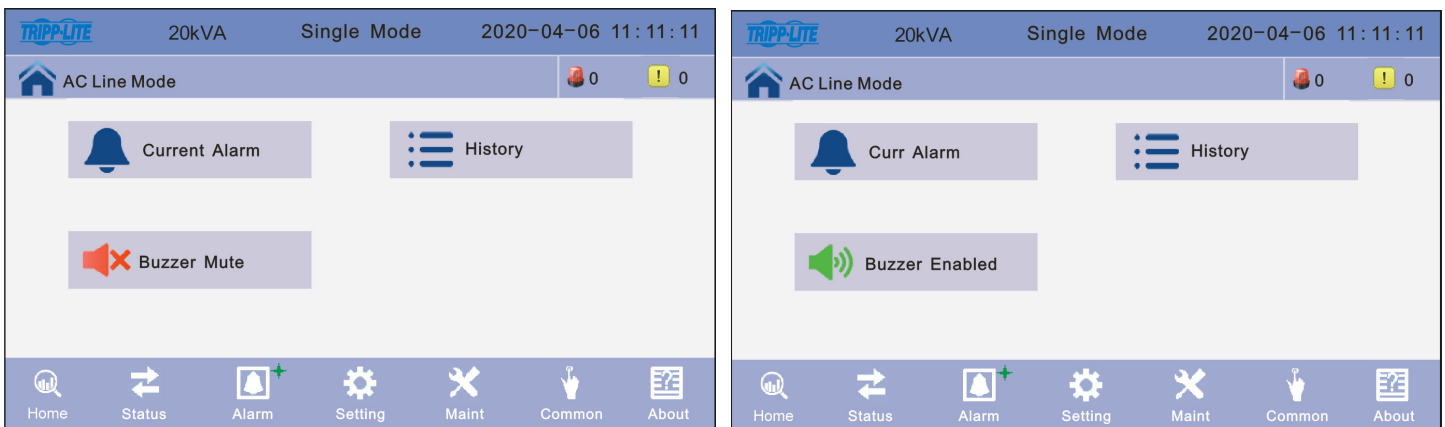


Figure 4-17: Buzzer Mute/Buzzer Enabled

## 4. Operation

### 4.3.6 Setting Screen

Click the **Setting** icon to enter the setting window. The settings are divided into two levels: Basic Setup and Advanced Setup.

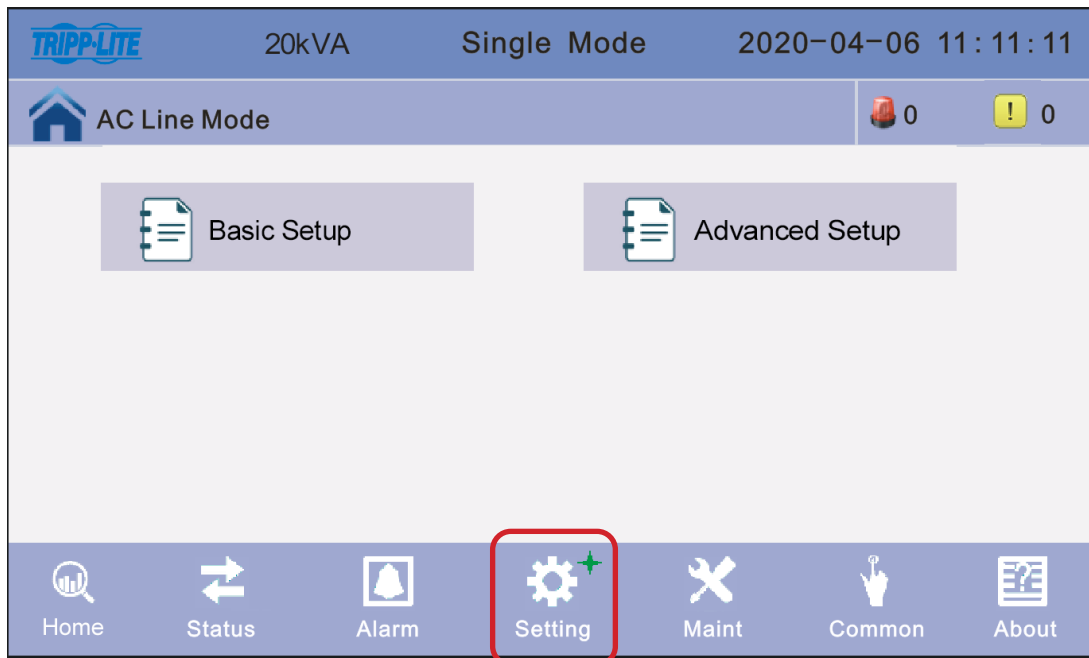


Figure 4-18: Setting Screen

#### 4.3.6.1 Basic Setting Screen

Click the **Basic Setting** icon to enter the basic setting interface to set language, screen brightness and time/date.

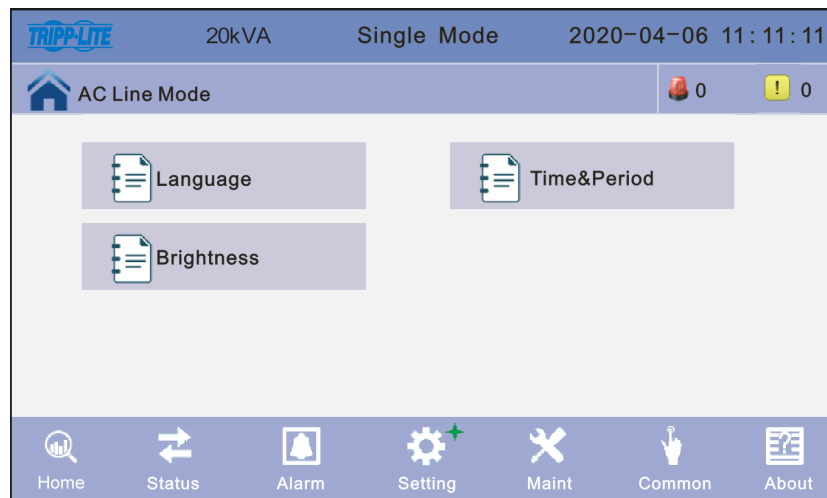


Figure 4-19: Basic Setting Interface

## 4. Operation

1. Click the **Language** icon to enter the language setting interface. Select the desired language (English, Spanish or French) and click the **Save Config** icon. Click the **Back** icon to return to the last window. Click the **Home Page** icon to jump to the main page.

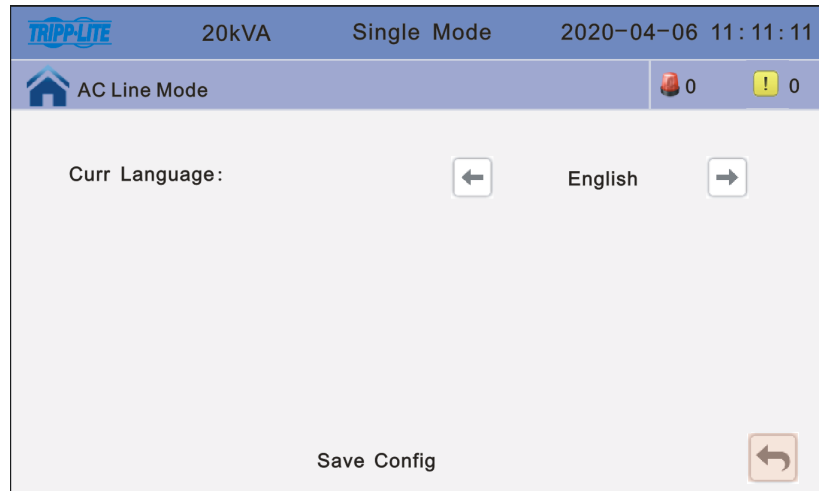


Figure 4-20: Language Setting Interface

2. Click the **Time & Period** icon to enter the time and date setting interface. Click **Save Config**, then click the **Back** icon to return to the previous window, or click the **Home Page** icon to jump to the main page. All fields in **Date** and **Time** are mandatory in order to close the configuration windows.

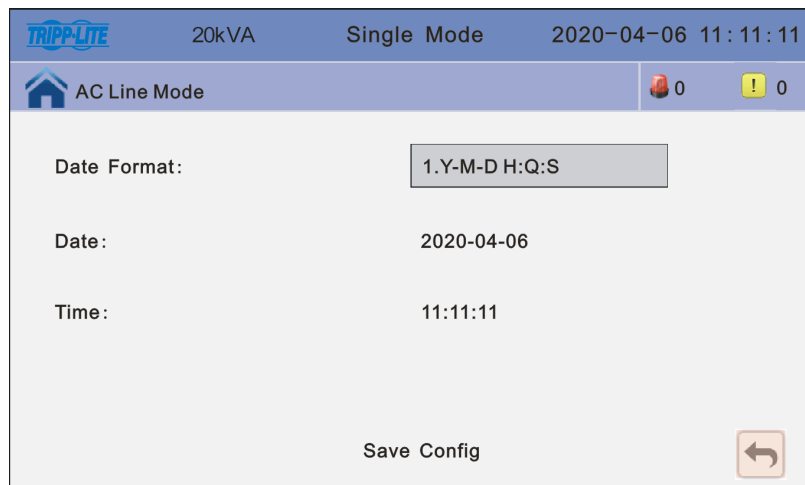


Figure 4-21: Time and Date Setting Interface

## 4. Operation

- Click the **Brightness** icon to set the screen backlight brightness and illumination time as desired. Click **Save Config**, then click the **Back** icon to return to the previous window, or click the **Home Page** icon to jump to the main page.

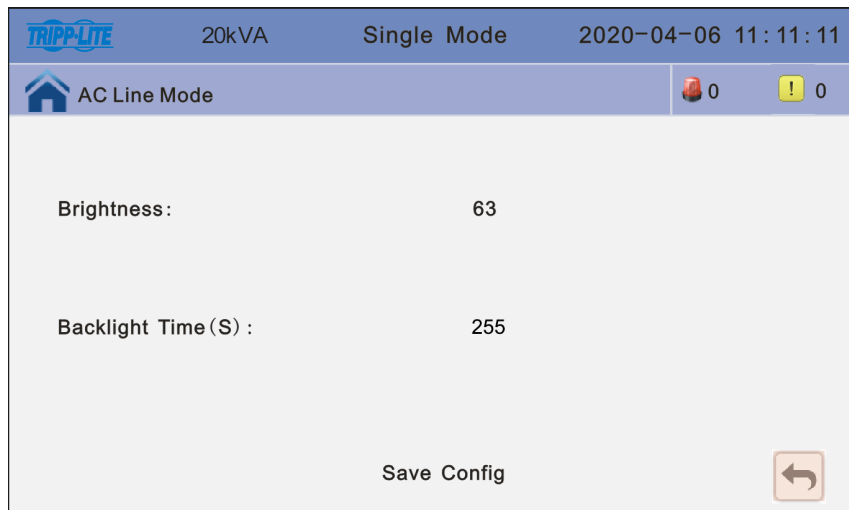


Figure 4-22: Brightness Interface

### 4.3.6.2 Advanced Setting Screen

Click the **Advanced Setting** icon on the Main page. The user password is “191210”.

**Note:** Advanced operations are intended to be performed only by certified Tripp Lite technicians.

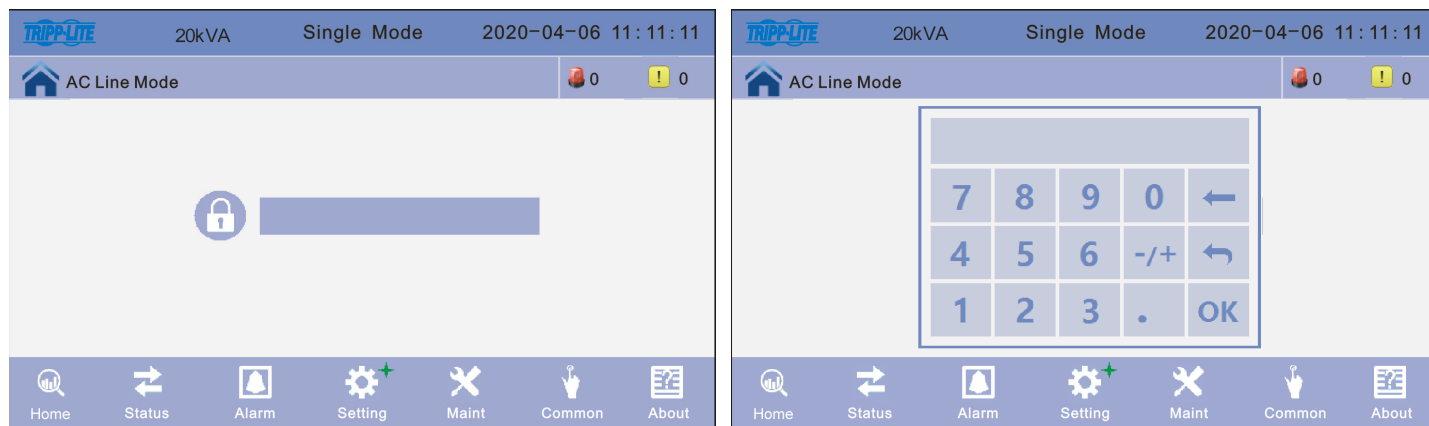


Figure 4-23: Enter Password for Advanced Settings



## 4. Operation

1. Click the **Advanced Setup** icon. Select the configuration to be changed/saved. Click the **Back** icon to return to the previous window, or click the **Home Page** icon to jump to the main page.

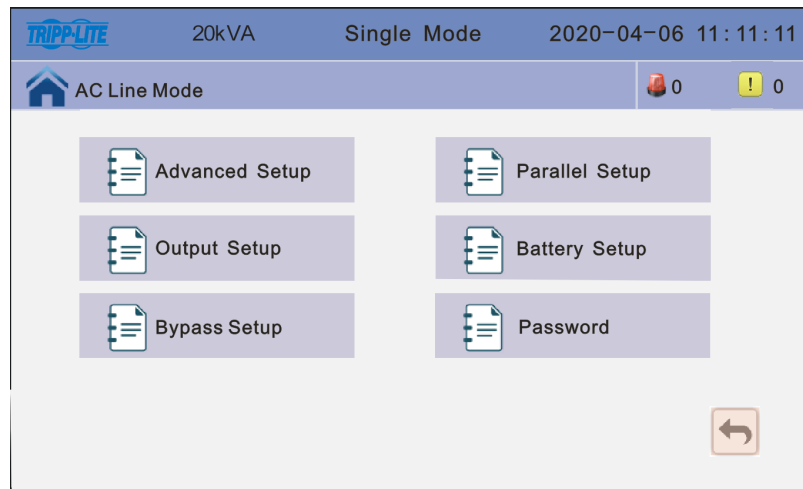


Figure 4-24: Advanced Setup Interface

### Advanced Setup Configurations:

**Working Mode** - Select the work mode of UPS, work mode: Single mode, Parallel Mode, ECO mode.

**Single Mode:** Single UPS (not paralleled)

**Parallel Mode:** When in Parallel Mode for capacity, multiple UPS systems supply power to the load. When in Parallel Mode for redundancy, multiple UPS systems are connected to supply redundant power.

**ECO Mode:** Green mode & energy saving mode. The UPS will default to ECO Mode after powering up.

**Auto Turn-on:** Select the UPS start logic, Enable: UPS start inverter output automatic, Disable: No output

**Note:** If you want the UPS to auto restart after the batteries reach a low voltage cut-off (LVC) and the UPS turns off, Auto Turn-on MUST be set to Enable.

**Operation Mode** - Select the Operation Mode: In-FreqConvM (in Frequency Conversion Mode), Not In-FreqConvM (Not in Frequency Conversion Mode)

**Not In-FreqConvM (Not in Frequency Conversion Mode):** In normal working mode.

**In-FreqConvM (Frequency Conversion Mode):** The output frequency is determined by the frequency and voltage set by the user. It is not affected by the input and will not cause an alarm.

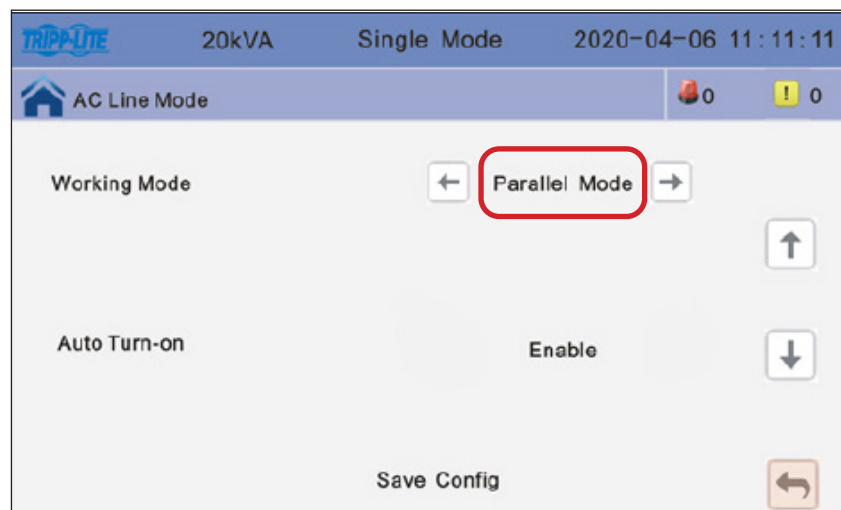
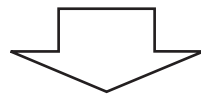
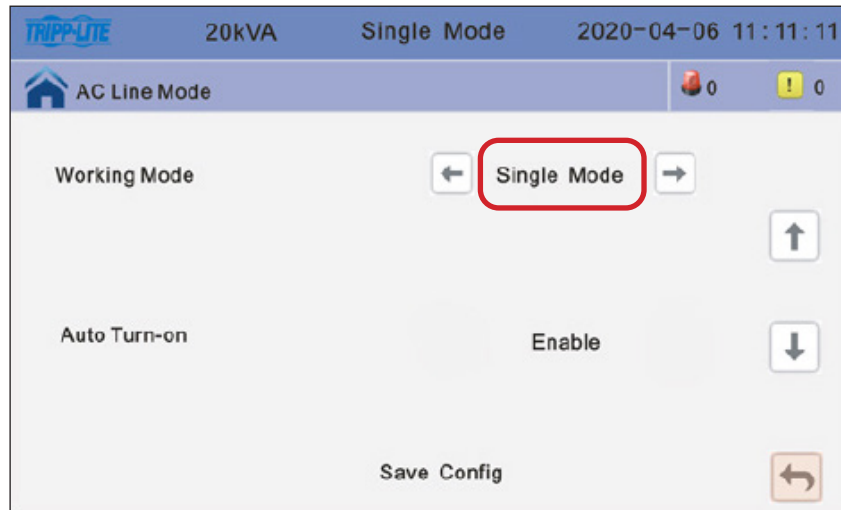


Figure 4-25: Advanced Setup Configurations

## 4. Operation

2. Click the **Parallel Setup** icon. Select the configuration to be changed/saved. Click the **Back** icon to return to the previous window, or click the **Home Page** icon to jump to the main page.

To begin the parallel configuration setup, click on **Parallel Setup** and change **Working Mode** from **Single Mode** to **Parallel Mode**.



## 4. Operation

**Parallel ID:** Parallel operation ID. The ID must be modified after setting Work Mode to Parallel Mode. The value can be 1 to 4. Default value is 1.

**Parallel for Capacity UPS Units:** Parallel cabinet number. The total parallel cabinet number must be modified after setting Work Mode to Parallel Mode. The value can be 2 to 4. The default value is 2.

**Parallel for Redundancy UPS Units:** Parallel redundancy cabinet number. The redundancy cabinet number can be modified after setting Work Mode to Parallel Mode. The value can be 0 to 3. The default value is 0.

TRIPP-LITE		20kVA	Single Mode	2020-04-06 11:11:11
AC Line Mode				0 0
Parallel ID:	←	1	→	
Parallel for Capacity Units :	←	2	→	
Parallel Redundancy Units:	←	0	→	
Save Config				↩

Figure 4-26: Parallel Setup Configurations

3. Click the **Output Setup** icon and select the configuration to be changed/saved. Click the **Back** icon to return to the previous window, or click the **Home Page** icon to jump to the main page.

**Output Freq:** Output frequency. The value can be 50 Hz or 60 Hz.

**Output Volt Level:** Output voltage level. The value can be 120 or 127.

**Output INV Volt Regulation:** Inverter voltage regulated. The value can be between -5% to +5% in 0.5% increments. The default value is 0%.

TRIPP-LITE		20kVA	Single Mode	2020-04-06 11:11:11
AC Line Mode				0 0
Output Freq (Hz) :	←	60.0	→	
Output Volt Level (V) :	←	120.0	→	
Output INV Volt Regu (%) :	←	0.0	→	
Save Config				↩

Figure 4-27: Output Setup

## 4. Operation

4. Click the **Battery Setup** icon and select the configuration to be changed/saved. Click the **Back** icon to return to the previous window, or click the **Home Page** icon to jump to the main page.

**Note:** The UPS configuration for the battery cabinet model depends on the S3M UPS model and battery cabinet model being connected together. Please refer to the S3M-Series battery cabinet manual for specific UPS configuration instructions.

**Battery Group:** The Battery Group is quantity 1 for every set of 20 batteries that are within the UPS and/or the battery cabinet connected to the UPS. For example, UPS model S3M20K3B with 60 internal batteries would be set to Battery Group 3. However, to connect a BP240V09 cabinet with 80 internal batteries to the S3M20K3B, the S3M20K3B UPS must be configured to Battery Group 7. The value can be 1 to 8. The default value is 1.

**Battery number:** The default value is 20. The battery number must remain at 20 for all S3M10-100K UPS models whether used with or without Tripp Lite external battery cabinets designed for the S3M-Series UPS line.

**Single Battery (Ah) Capability:** Modify the value to the individual Ah capacity for one battery. The value can be 7 to 2000. If the 10-20kVA UPS model has internal batteries, this value should only be 9, because the 10-20kVA UPS only fits 9Ah internal batteries. However, if the 10-20kVA UPS models have the suffix “-NIB” (No Internal Batteries),” the number could be 9 (9Ah) to 65 (65Ah), when using Tripp Lite battery cabinet models.

TRIPP-LITE		20kVA	Single Mode	2020-04-06 11:11:11	
AC Line Mode				0	0
Battery Group:	←	1	→		
Battery Number:	←	20	→	↑	
Single Battery Capability (AH):		9		↓	
Save Config				↩	

Figure 4-28A: Battery Setup

## 4. Operation

**Max charge current:** The Max charge current is set and defaulted at the factory for UPS models with internal batteries when operating without an external battery cabinet (S3M10K1B, S3M10K2B, S3M10K3B, S3M15K2B, S3M15K3B, S3M20K3B). However, to connect an external battery cabinet, consult the battery cabinet manual for the specific UPS configuration required based on the specific battery cabinet model.

**Cell float voltage (V/Cell):** The float voltage value can be 2.23 to 2.30 V/cell, and is 2.27 V/cell by default.

**Cell boost voltage (V/Cell):** The battery equalized voltage value can be 2.30 to 2.40 V/cell, and is 2.35 V/cell by default.

**Aver charging Duration (min):** Boost charge time limit. The value can be 1 to 999 minutes, and is 240 by default.

**Note:** Average Charging Duration (min) is set and defaulted to 240 min. (4 hours) at the factory for UPS models with internal batteries when operating without an external battery cabinet (models S3M10K1B, S3M10K2B, S3M10K3B, S3M15K2B, S3M15K3B, S3M20K3B). However, to connect an external battery cabinet, consult the specific battery cabinet manual for the detailed UPS configuration required for the specific battery cabinet model.

The screenshot shows the TRIPP-LITE web interface for a 20kVA Single Mode UPS. The top navigation bar includes the TRIPP-LITE logo, 20kVA, Single Mode, and the date/time 2020-04-06 11:11:11. Below the navigation bar, the status is 'AC Line Mode' with 0 faults and 0 warnings. The main content area displays four adjustable parameters: Max charge current (20), Cell float voltage (V/Cell) (2.27), Cell boost voltage (V/Cell) (2.35), and Aver Charging Duration (min) (240). Each parameter has left and right arrow buttons for adjustment. A 'Save Config' button with a refresh icon is located at the bottom right.

Parameter	Value
Max charge current:	20
Cell float voltage (V/Cell) :	2.27
Cell boost voltage (V/Cell) :	2.35
Aver Charging Duration (min) :	240

Figure 4-28B: Battery Setup

**EOD Battery Volt (0.01V/Cell):** End of discharge voltage. The value can be 1.60 to 1.90. The default is 1.67

**Float Temp Compens Coeff:** Modify the voltage of compensation after enabling the switch. The value can be 0.001V/cell to 0.007V/cell. The default is 0.003V/cell.

**Boost Charge Setting:** Boost charge disable or enable setting. The default is enable.

**No Battery Warning:** When set to Disable, the buzzer will not sound. Set to Enable for audible battery warnings. The default is Enable.

The screenshot shows the TRIPP-LITE web interface for a 20kVA Single Mode UPS. The top navigation bar includes the TRIPP-LITE logo, 20kVA, Single Mode, and the date/time 2020-04-06 11:11:11. Below the navigation bar, the status is 'AC Line Mode' with 0 faults and 0 warnings. The main content area displays four adjustable parameters: EOD Battery Volt (0.01V/Cell) (1.67), Float Temp Compens Coeff (0.001/Cell/°C) (0.003), Boost Charge Setting (Enable), and No Battery Warning (Alarm). Each parameter has left and right arrow buttons for adjustment. A 'Save Config' button with a refresh icon is located at the bottom right.

Parameter	Value
EOD Battery Volt(0.01V/Cell) :	1.67
Float Temp Compens Coeff (0.001/Cell/°C) :	0.003
Boost Charge Setting:	Enable
No Battery Warning:	Alarm

Figure 4-28B: Battery Setup

## 4. Operation

5. Click the **Bypass Setup** icon to modify the following values and select the configuration to be changed/saved. Click the **Back** icon to return to the previous window, or click the **Home Page** icon to jump to the main page.

**Bypass Volt Prot Lower Limit (%):** When the difference between the bypass voltage and the rated voltage exceeds the lower threshold for the bypass voltage, the system determines that the bypass voltage is abnormal and that bypass is unavailable. The value can be -10%, -15%, -20%, -30% or -40%. The default value is -40%.

**Bypass Volt Prot Limit (%):** When the difference between the bypass voltage and the rated voltage exceeds the upper threshold for the bypass voltage, the system determines that the bypass voltage is not normal and that bypass is unavailable.

**Notes:**

- When the voltage level is 120V, the value range is 10%, 15%, 20% and 25% (default).
- When the voltage level is 127V, the value range is 10%, 15% and 20% (default).
- Bypass Frequency Tracking Range: When the difference between the bypass input frequency and the rated frequency is greater than this value, the system determines that the bypass frequency is not normal and that bypass is unavailable. The value range is 1%, 2%, 4%, 5% and 10% (default).

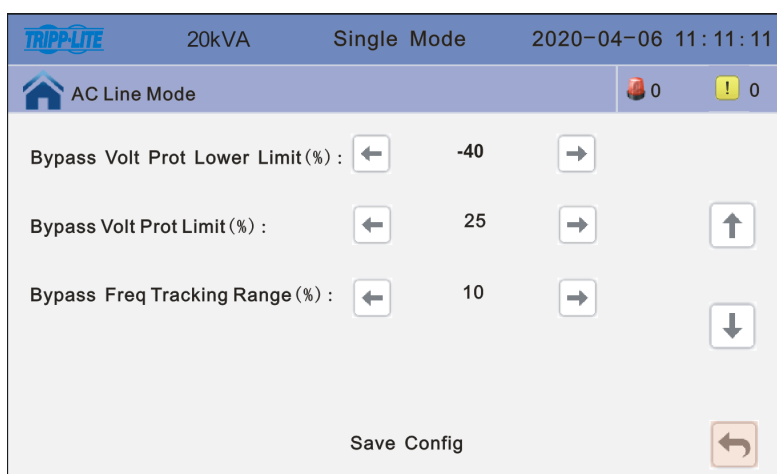


Figure 4-29: Bypass Setup

6. Click the **Password** icon to enter the user password setting interface. Input the old password and the new password, then click **Save Config** to confirm the change. The password format is six numbers. Click the **Back** icon to return to the previous window, or click the **Home Page** icon to jump to the main page.

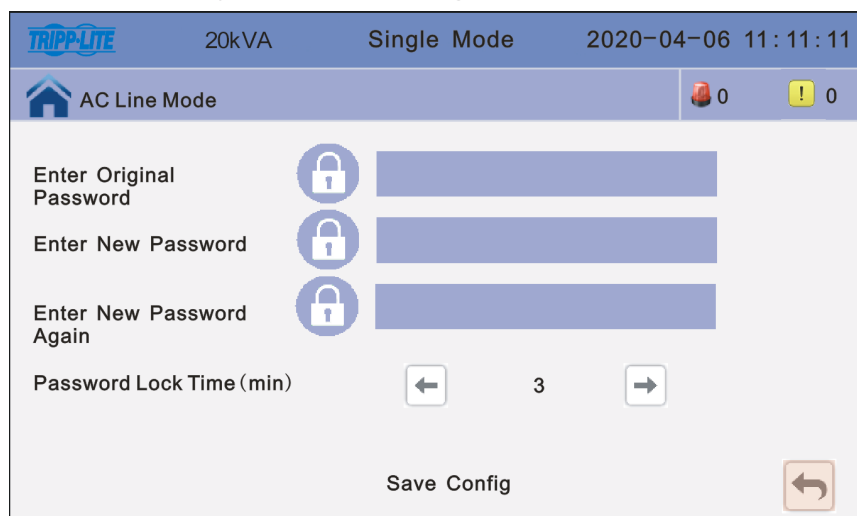


Figure 4-30: Password Setup Interface

## 4. Operation

### 4.3.6.3 Maint (Maintenance) Screen

Click the **Maint** icon to enter the maintenance interface, where you can download history records and perform screen corrections and battery self-checks. The USB Wizard is used to download the UPS event log. The Regular Battery Auto-test sequence is used to set the frequency to discharge and test the batteries. The Screen Correction sequence is used to refresh the UPS screen after updating the UPS LCD display firmware. If you have additional questions about this screen, contact Tripp Lite Support at [tripplite.com/support](http://tripplite.com/support).

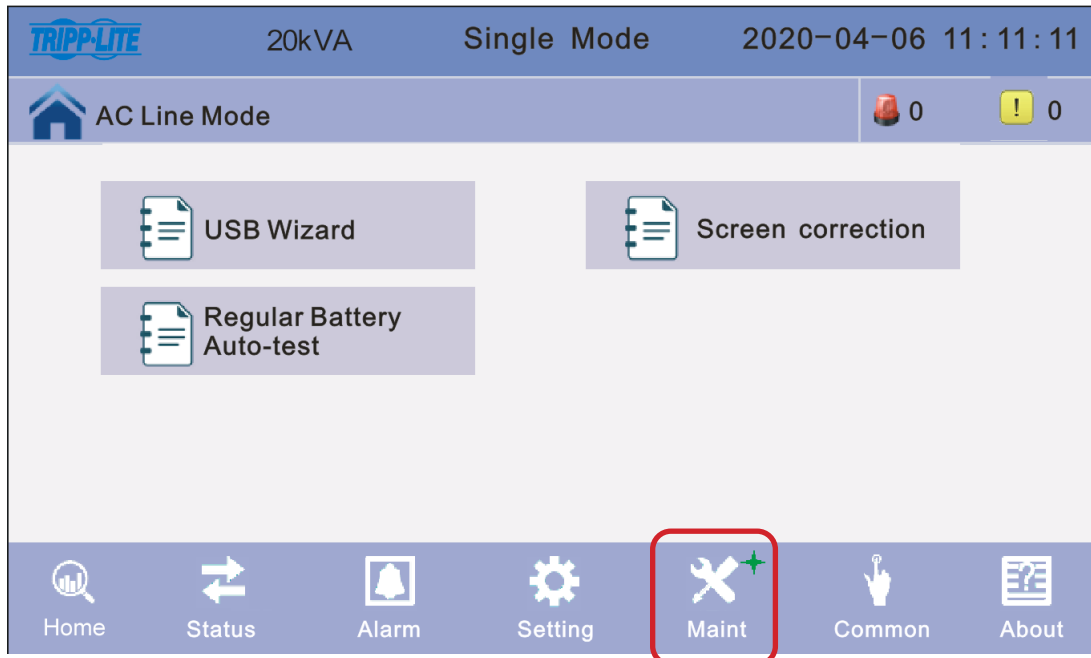


Figure 4-31: Maintenance Interface

1. Click the **USB Wizard** icon to enter the History Output interface to view recorded events. The UPS can record up to 4000 events.

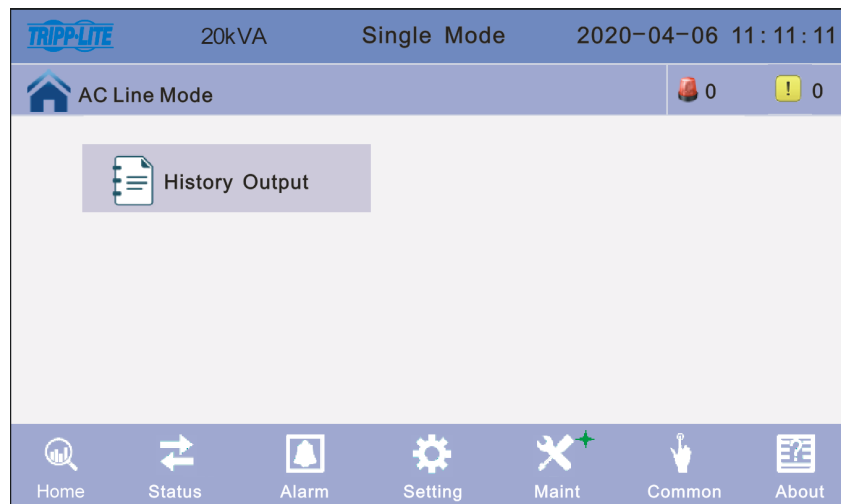


Figure 4-32: History Output Interface

## 4. Operation

2. Click the **Regular Battery Auto-Test** icon to enter the battery self-test interface. You can choose timing by day or by week. The default is off. Click the **Back** icon to return to the previous window, or click the **Home Page** icon to jump to the main page.

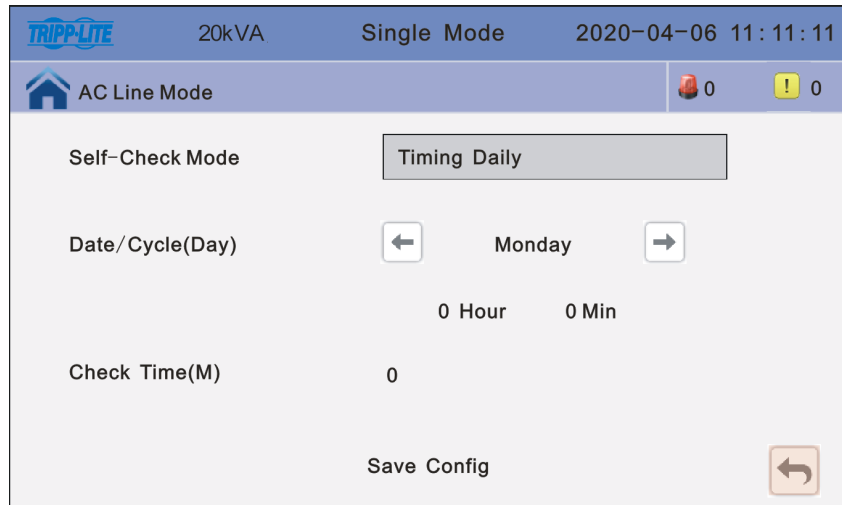


Figure 4-33: Battery Auto-Test Interface

3. The **Screen Correction** icon is only used after upgrading the LCD program and only if, after upgrading the LCD program, the display position is not accurate. For example, after an LCD program upgrade, if the LCD display does not accurately show the “+” mark in the exact place where the user is clicking into, then it is recommended to perform a screen correction by clicking the **Screen Correction** icon. Then press **Confirm** on the LCD display.

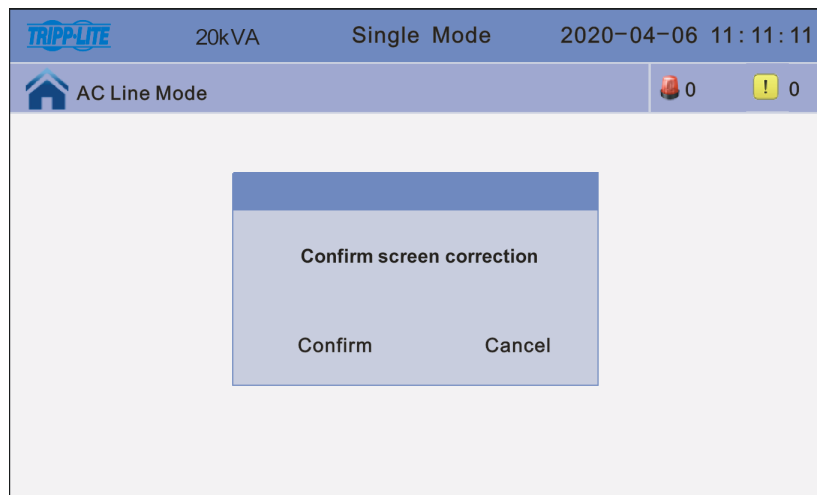


Figure 4-34: Screen Correction Interface



## 4. Operation

### 4.3.6.4 Common Screen

Click the **Common** icon to enter the Common interface, including common settings.

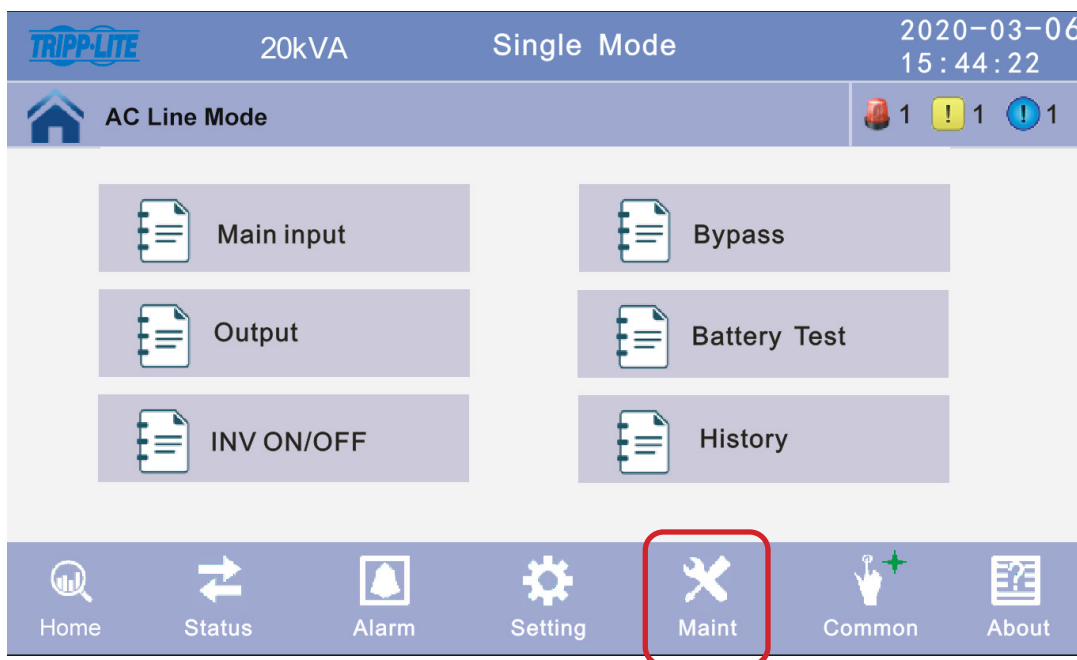


Figure 4-35: Common Interface

1. Click the **INV ON/OFF** icon to enter the setting interface, then select **INV ON / INV OFF**. Click the **Back** icon to return to the previous window, or click the **Home Page** icon to jump to the main page.

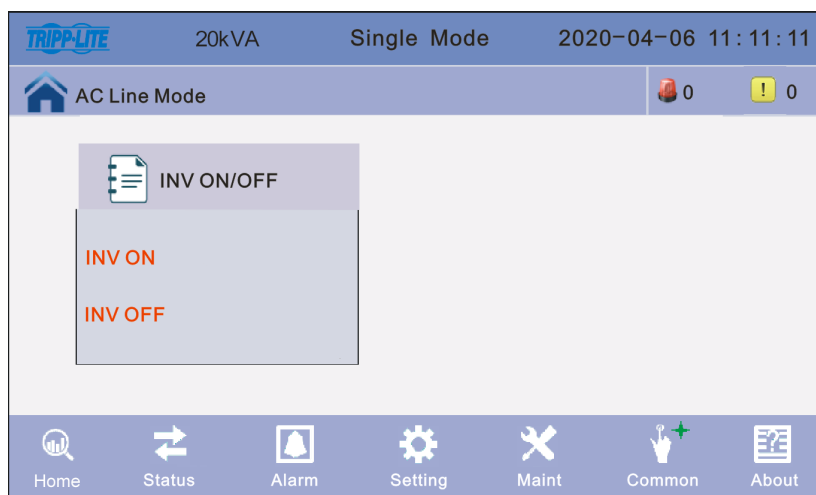


Figure 4-36: INV ON/OFF Interface

## 4. Operation

- Click the **Battery Test** icon to enter the Battery Test setting interface, then select the desired battery test setting. Click the **Back** icon to return to the previous window, or click the **Home Page** icon to jump to the main page.

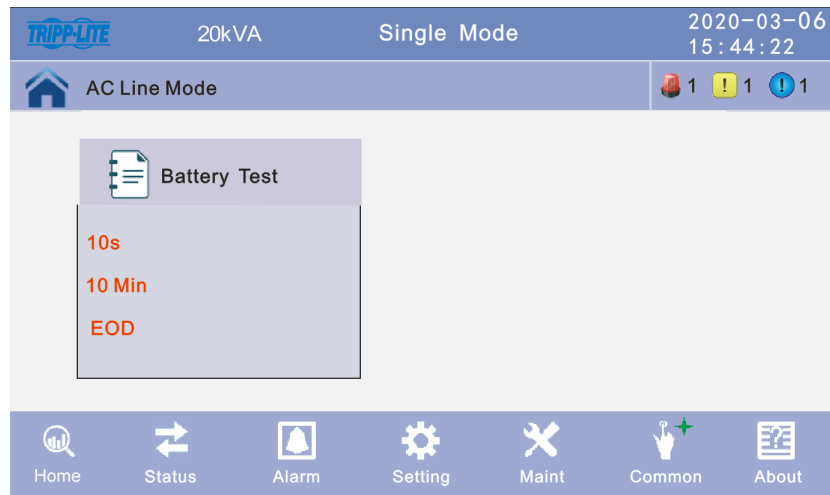


Figure 4-37: Battery Test Interface

### 4.3.6.5 About Screen

Click the **About** icon to enter the About interface. This screen displays the current versions of LCD, REC and INV software.

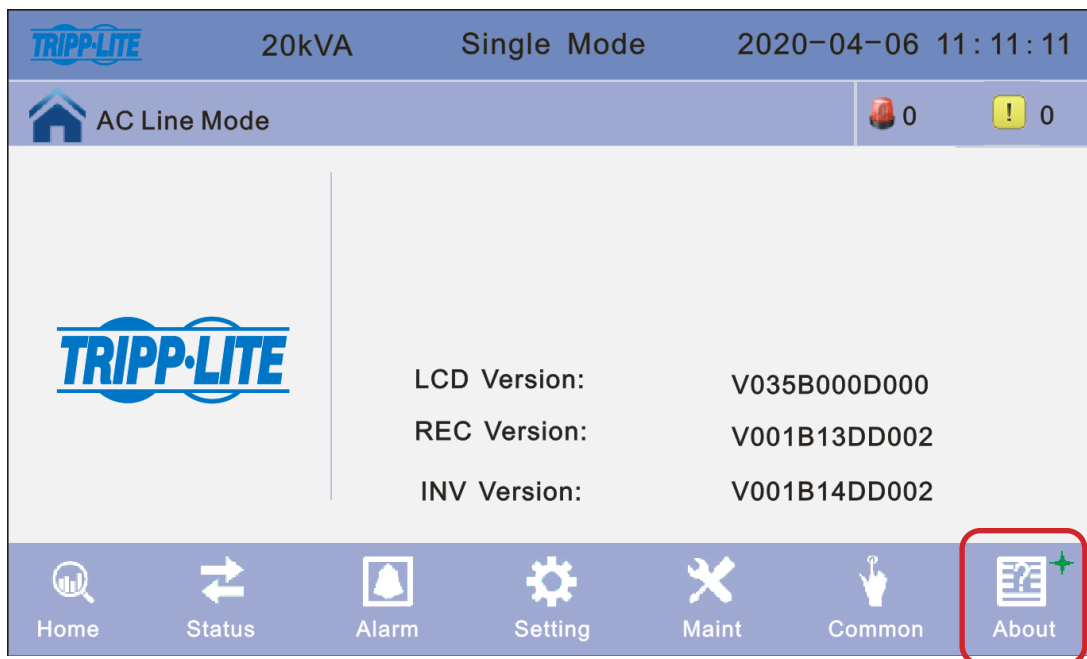


Figure 4-38: About Screen

## 4. Operation

### 4.4 Display Messages and Alarms

This section lists audible alarms and LEDs that may be displayed by the UPS during normal operation or fault conditions.

		Audible Alarms		Display LEDs			
		Alarm Status	Mutable On/Off	Alarm	Bypass	Battery	Inverter
<b>UPS Modes</b>	UPS Initialization	Beeps, Only Once	No	Blink/ 0.5 Second	Blink/ 0.5 Second	Blink/ 0.5 Second	Blink/ 0.5 Second
	UPS Online Mode (Normal)	No Beeps	No Beeps	OFF	OFF	OFF	ON
	UPS Battery Mode	Beeps/ 2 Seconds	Yes	OFF	OFF	ON	OFF
	UPS Battery Test Mode	No Beeps	No Beeps	OFF	OFF	ON	OFF
	UPS ECO Mode	No Beeps	No Beeps	OFF	ON	OFF	OFF
	UPS Standby Mode	No Beeps	No Beeps	OFF	OFF	OFF	OFF
	UPS Static Bypass Mode	No Beeps	No Beeps	OFF	ON	OFF	OFF
	UPS Maintenance Bypass Mode	No Beeps	No Beeps	OFF	ON	OFF	OFF
	UPS Frequency Converter Mode	No Beeps	No Beeps	OFF	OFF	OFF	ON
	Overload (Bypass Mode or Battery Mode)	Beeps/ 1 Second	Yes	OFF	ON	ON	OFF

		Audible Alarms		Display LEDs			
		Alarm Status	Mutable On/Off	Alarm	Bypass	Battery	Inverter
<b>UPS Warnings</b>	Battery Reverse	Beeps/1 Second	Yes	ON	OFF	OFF	OFF
	No Battery	Beeps/1 Second	Yes	OFF	OFF	Blinks/1 Second	OFF
	P-Battery Charger Fault	Continuous Beeps	Yes	ON	OFF	OFF	ON
	N-Battery Charger Fault	Continuous Beeps	Yes	ON	OFF	OFF	ON
	Battery Under Voltage	Beeps/1 Second	Yes	OFF	OFF	Blinks/1 Second	OFF
	Battery Low Pre-Warning	Beeps/1 Second	Yes	OFF	OFF	Blinks/1 Second	OFF
	Mains Freq. Abnormal	Beeps/ 2 Seconds	Yes	OFF	OFF	ON	OFF
	Mains Volt. Abnormal	Beeps/ 2 Seconds	Yes	OFF	OFF	ON	OFF
	Bypass Site Wiring Fault	Beeps/1 Second	Yes	OFF	ON	OFF	OFF
	Bypass Not Available	NO Beeps	NO Beeps	OFF	Blinks/1 Second	OFF	OFF
	Parallel Overload	Beeps/2 Seconds	Yes	OFF	OFF	OFF	Blinks/1 Second
	Bypass Over Current	Beeps/1 Second	Yes	OFF	Blinks/1 Second	OFF	OFF
	Feedback Protection	Beeps/1 Second	Yes	OFF	ON	ON	OFF

## 4. Operation

		Audible Alarms		Display LEDs			
		Alarm Status	Mutable On/Off	Alarm	Bypass	Battery	Inverter
<b>UPS Faults</b>	Rectifier Fault	Continuous Beeps	Yes	ON	ON	OFF	OFF
	Rectifier Over Temperature	Beeps/1 Second	Yes	ON	ON	OFF	OFF
	Inverter Over Temperature	Beeps/1 Second	Yes	ON	ON	OFF	OFF
	Rectifier Over Current	Beeps/1 Second	Yes	ON	ON	OFF	OFF
	Auxiliary Power 1 Fault	Continuous Beeps	Yes	ON	ON	OFF	OFF
	Auxiliary Power 2 Fault	Continuous Beeps	Yes	ON	ON	OFF	OFF
	Input Thyristor Failed	Continuous Beeps	Yes	ON	ON	OFF	OFF
	Fan Fault	Continuous Beeps	Yes	ON	ON	OFF	OFF
	Fan Power Fault	Continuous Beeps	Yes	ON	ON	OFF	OFF
	DC Bus Over Voltage	Continuous Beeps	Yes	ON	ON	OFF	OFF
	DC Bus Below Voltage	Continuous Beeps	Yes	ON	ON	OFF	OFF
	DC Bus Unbalance	Continuous Beeps	Yes	ON	ON	OFF	OFF
	Mains Site Wiring Fault	Beeps/1 Second	Yes	ON	ON	OFF	OFF
	Soft Start Failed	Continuous Beeps	Yes	ON	OFF	OFF	OFF
	Input Neutral Line Missing	Beeps/1 Second	Yes	ON	ON	OFF	OFF
Battery Over Voltage	Beeps/1 Second	Yes	Blinks/ 1 Second	ON	OFF	OFF	

## 4. Operation

		Audible Alarms		Display LEDs			
		Alarm Status	Frequency of Alarm	Alarm	Battery	Bypass	Inverter
<b>UPS Faults</b>	Inverter Fault	Continuous Beeps	Yes	ON	ON	OFF	OFF
	Inv. IGBT Bridge Shorted	Continuous Beeps	Yes	ON	ON	OFF	OFF
	Inverter Thyristor Short	Continuous Beeps	Yes	ON	ON	OFF	OFF
	Inverter Thyristor Broken	Continuous Beeps	Yes	ON	ON	OFF	OFF
	Bypass Thyristor Short	Continuous Beeps	Yes	ON	ON	OFF	OFF
	Bypass Thyristor Broken	Continuous Beeps	Yes	ON	OFF	OFF	OFF
	CAN Comm. Fault	Beeps/1 Second	Yes	ON	OFF	OFF	OFF
	Parallel Load Sharing Fault	Beeps/1 Second	Yes	ON	ON	OFF	OFF
	IGBT Over Current	Continuous Beeps	Yes	ON	ON	OFF	OFF
	Fuse Broken	Continuous Beeps	Yes	ON	ON	OFF	OFF
	Cable Connection Error	Beeps/1 Second	Yes	ON	ON	OFF	OFF
	Parallel Relay Fault	Continuous Beeps	Yes	ON	ON	OFF	OFF
	Initialization Fault	Continuous Beeps	Yes	ON	OFF	OFF	OFF
	Inverter On Invalid	Continuous Beeps	Yes	ON	ON	OFF	OFF
	OutputShortcut	Beeps/1 Second	Yes	Blinks/1 Second	OFF	OFF	OFF
	Bypass A SCR short	Continuous Beeps	Yes	ON	ON	OFF	OFF
	Bypass B SCR short	Continuous Beeps	Yes	ON	ON	OFF	OFF
	Bypass C SCR short	Continuous Beeps	Yes	ON	ON	OFF	OFF
Cabinet Fan Fault	Continuous Beeps	Yes	ON	ON	OFF	OFF	
Internal Comm. Error	Beeps/ 2 Seconds	Yes	ON	OFF	OFF	OFF	

## 5. Parallel System Commissioning

Parallel systems should be commissioned only after setup is complete for the individual systems.

The example below is for commissioning four units in parallel.

1. Confirm the input/output wire connections and input phase sequence are correct. Switch off the battery breaker and measure to ensure the +/- bat voltages of all battery groups are normal.
2. Connect the parallel cable. It should be a formed loop connection.
3. Switch on the input breaker of unit 1 and access the LCD setting interface to set the parallel working mode, ID, parallel number and redundant number. (Refer to section **4.3.6.2.**) Set required setting for series number and battery capacity. The output voltage level and bypass protection range are default setting.
4. Turn off the input breaker of unit 1 and make sure the UPS is off. Turn on the input breaker of unit 2. Access the LCD setting interface to set the parallel working mode, ID, parallel number and redundant number. The other setting are the same as UPS 1 operation.
5. For unit 3 and unit 4, the operation settings are all the same as units 1 and 2.
6. Turn on Bypass/Input/Output breakers on all the paralleled UPS, then confirm all the settings are correct. Each UPS has a different ID.
7. Turn on all the battery breakers and confirm the parameters (V/I) are normal.
8. Connect the load, and check to ensure the output currents are balance.
9. Switch the utility breaker on and off to test all the UPS units' converter system going from utility to battery and restored function are working.

## 6. Troubleshooting

If the UPS system is not functioning normally, check for errors in installation, wiring or operation. If all these aspects check out with no problems, contact support at [tripplite.com/support](http://tripplite.com/support) with the following information:

1. Product model name and serial number.
2. Description of the problem with details, such as LCD display information, LED statuses, etc.

Read this owner's manual carefully. The table below may help you solve the problem easily.

No.	Problem	Possible reason	Solution
1	Utility is connected, but the UPS cannot be powered ON.	<ul style="list-style-type: none"> <li>• Input power supply is not connected</li> <li>• Input voltage low</li> <li>• The input switch of the UPS is not switched on</li> </ul>	<ul style="list-style-type: none"> <li>• Measure if the UPS input voltage/frequency is within the window</li> <li>• Ensure UPS input is switched on</li> </ul>
2	Utility normal but Utility LED does not illuminate, and the UPS operates at battery mode	<ul style="list-style-type: none"> <li>• The input breakers of the UPS are not switched on</li> <li>• Input cable is not connected securely</li> </ul>	<ul style="list-style-type: none"> <li>• Switch on the input breaker</li> <li>• Make sure the input cable is connected securely</li> </ul>
3	The UPS does not indicate a fault, but there is no output voltage	<ul style="list-style-type: none"> <li>• Output cable is not connected securely</li> <li>• Output breaker switch not on</li> </ul>	<ul style="list-style-type: none"> <li>• Make sure the output cable is connected securely;</li> <li>• Switch on the output breaker</li> </ul>
4	Utility LED is flashing	Utility voltage exceeds UPS input range	If the UPS operates in battery mode, pay attention to the remaining backup time needed for your system
5	Battery LED is flashing, but there is no charge voltage and current	<ul style="list-style-type: none"> <li>• Battery breaker is not switched on</li> <li>• Batteries are damaged</li> <li>• Battery is connected in reverse</li> <li>• Battery number and capacity are not set correctly</li> </ul>	<ul style="list-style-type: none"> <li>• Switch on the battery breaker</li> <li>• If batteries are damaged, replace entire group of batteries</li> <li>• Connect the battery cables correctly</li> <li>• Go to the LCD setting for the battery number and capacity and set the correct data</li> </ul>
6	Buzzer beeps every 0.5 seconds and LCD display "output overload"	Overload	Remove some of the load
7	Buzzer sounds long beeps, LCD displays fault code 29	The UPS output is in short circuit	Make sure the load is not in short circuit, then restart the UPS
8	The UPS only works on Bypass Mode	The UPS is set to ECO Mode	Set the UPS working mode to Normal Mode
9	Cannot Power On	<ul style="list-style-type: none"> <li>• Battery switch is not properly closed</li> <li>• Battery fuse is not open</li> <li>• Battery is low</li> <li>• Battery quantity is set incorrectly</li> <li>• Power breaker in the rear panel is not switched to ON position</li> </ul>	<ul style="list-style-type: none"> <li>• Close the battery switch</li> <li>• Change the fuse</li> <li>• Recharge the battery</li> <li>• Power on the UPS with AC to set the correct battery quantity</li> <li>• Switch on the power breaker</li> </ul>
10	Buzzer beeps continuously and LCD indicates 1, 3, 5, 9, 15, etc. fault codes	The UPS is out of order	Consult with your local agent for repair

# 7. Communications

## 7.1 Web Management Card

Tripp Lite's **WEBCARDLX** is an optional accessory available for all models. The WEBCARDLX card enables remote monitoring and control through several interfaces: HTML5 web via HTTP(S), menu/CLI via SSH/Telnet, and SNMP for integration with software management platforms, such as DCIM. Using WEBCARDLX in your UPS combined with Tripp Lite's network-enabled switched PDUs, you can manage power throughout your facility and receive automated alerts to identify problems before they cause downtime.

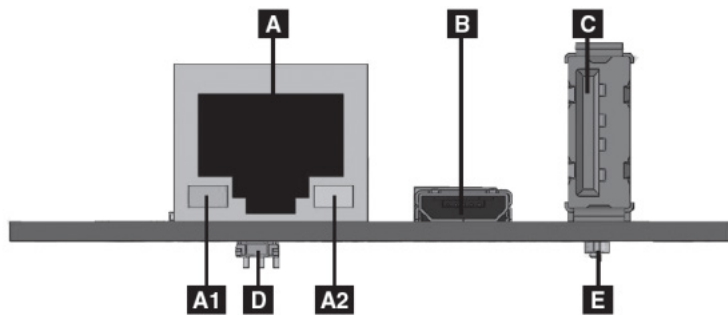
**WEBCARDLX** also supports a family of sensors for remotely monitoring environmental conditions. You can link up to three sensors together, connecting them to a single port on the WEBCARDLX. Tripp Lite offers free PowerAlert® Network Management System software. Learn more and download at [tripplite.com/products/power-alert](http://tripplite.com/products/power-alert).



### 7.1.1 WEBCARDLX Features

The following is an introduction to the features of Tripp Lite's WEBCARDLX. To view the full description of the card's functionality, download its Owner's Manual at [tripplite.com/support](http://tripplite.com/support).

- A** Ethernet Port: RJ45 jack connects the WEBCARDLX to the network using a standard Ethernet patch cable. The Link LED **A1** and Status LED **A2** indicate the operating conditions.
- B** Micro-USB Port: Use this port to directly connect with a computer running a terminal emulation program.
- C** Type-A USB Port: Use this port to connect a Tripp Lite ENVIROSENSE 2 module (E2MT, E2MTDO, E2MTDI, E2MTHDI) for a variety of environmental monitoring and control options. See [tripplite.com](http://tripplite.com) for more information about these modules.  
*Note: Do not connect a keyboard or mouse to this port.*
- D** Reset Button: The reset button is recessed, accessible through a small hole under the RJ45 network port.
- E** Status LED: Shows WEBCARDLX status.



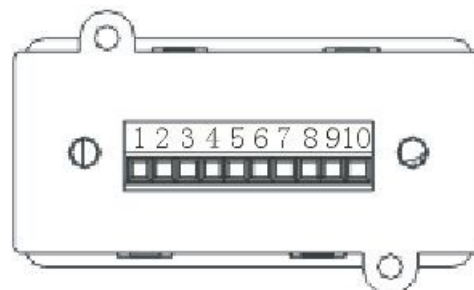
## 7.2 Relay Card

A 10-pin terminal supports a relay card to provide bypass, utility failure, inverter on, battery low, UPS fault, UPS alarm and UPS shutdown functions.

The relay communication card contains six dry contact outputs and one dry input. The inputs and outputs are factory programmed according to functions listed in the following table.

### Relay Contacts (Communication Card)

Pin	Function Description	Input or Output
1	Utility Failure	Output
2	Battery Low	
3		
4	Bypass On	
5	UPS Fault	
6	Inverter On	
7	Summary Alarm	
8	Common	
9	Remote Shutdown +	Input (5V to12V)





# 7. Communications

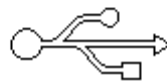
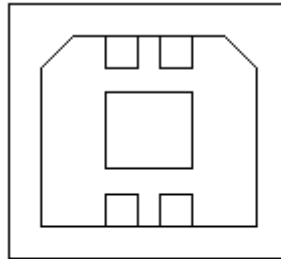
## 7.3 USB Communication Port Definition



**Notes:**

- The USB, RS-232 and RS-485 interfaces cannot be used simultaneously. Only one interface can be used at a time.
- These three communication ports use a MODBUS protocol. Refer to the S3M10-20kVA 3-Phase MODBUS Owner's Manual. The MODBUS manual may be downloaded from the specific S3M10-20K UPS model page at [tripplite.com](http://tripplite.com).

The USB communication port is a USB Type-B female connector.



### Connections Between the Connected Computer's USB Port and UPS System's USB Port

Computer USB Port	UPS USB Port	Description
Pin 1	Pin 1	Computer: +5V
Pin 2	Pin 2	Computer: DPLUS signal
Pin 3	Pin 3	Computer: DMINUS signal
Pin 4	Pin 4	Signal ground

### Available Functions of the USB Port

- Monitor UPS power status
- Monitor UPS alarm info
- Monitor UPS running parameters
- Timing off/on setting
- One-to-one communication, UPS to computer, at a distance less than 1.5 m

### USB Communication Data Format

- Baud rate: 9600 bps
- Byte length: 8 bit
- End bit: 1 bit
- Parity check: None

# 7. Communications

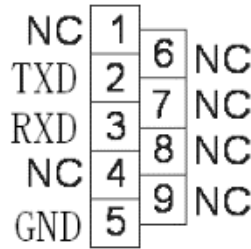
## 7.4 RS-232 Communication Port Definition



**Notes:**

- The USB, RS-232 and RS-485 interfaces cannot be used simultaneously. Only one interface can be used at a time.
- These three communication ports use a MODBUS protocol. Refer to the S3M10-20kVA 3-Phase MODBUS Owner's Manual. The MODUBS manual may be downloaded from the specific S3M10-20K UPS model page at [tripplite.com](http://tripplite.com).

The RS-232 port is a male connector.



### Connection Between the Connected Computer's RS-232 Port and UPS System's RS-232 Port

Computer RS-232 Port	UPS RS-232 Port	
Pin 2	Pin 2	UPS send, PC receive
Pin 3	Pin 3	PC send, UPS receive
Pin 5	Pin 5	Ground

### Available Functions of the RS-232 Port

- Monitor UPS power status
- Monitor UPS alarm data
- Monitor UPS run parameters
- Timing off/on setting
- One-to-one communication, UPS to computer, at a distance less than 5 m

### RS-232 communication data format

- Baud rate: 9600 bps
- Byte length: 8 bit
- End bit: 1 bit
- Parity check: None

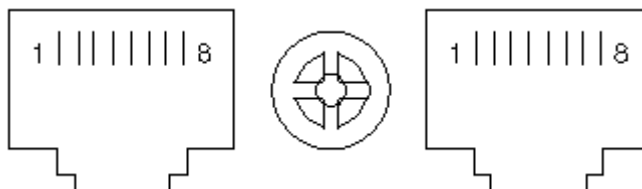
## 7.5 RS-485 Communication Port Definition



**Notes:**

- The USB, RS-232 and RS-485 interfaces cannot be used simultaneously. Only one interface can be used at a time.
- These three communication ports use a MODBUS protocol. Refer to the S3M10-20kVA 3-Phase MODBUS Owner's Manual. The MODUBS manual may be downloaded from the specific S3M10-20K UPS model page at [tripplite.com](http://tripplite.com).

The RS-458 Port is a female connector.



# 7. Communications

## Connection Between the Connected Device's RS-485 Port and UPS System's RS-485 Port

Device (RJ-45)	UPS (RJ-45)	Description
Pin 1/5	Pin 1/5	485+ "A"
Pin 2/4	Pin 2/4	485 - "B"
Pin 7	Pin 7	+12Vdc
Pin 8	Pin 8	GND

### Available Functions of the RS-485 Port

- Monitor UPS power status.
- Monitor UPS alarm info.
- Monitor UPS running parameters.
- Timing off/on setting.
- Battery environment temperature monitoring.
- Charging voltage modulation depending on batteries temperature

### RS-485 Communication Data Format

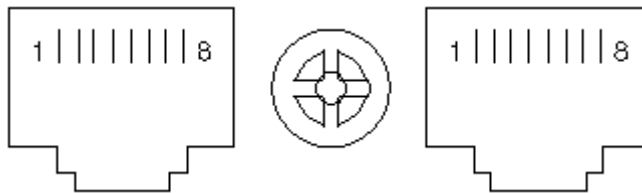
- Baud rate: 9600 bps
- Byte length: 8 bit
- End bit: 1 bit
- Parity check: None

## 7.6 BAT\_T Communication Port Definition



**Note:** The USB, RS-232 and RS-485 interfaces cannot be used simultaneously. Only one interface can be used at a time.

The BAT\_T Port is a female connector. The external battery cabinet thermostat used for temperature charging compensation may be connected to this port.



## Connection Between the Temperature Sensor RJ45 Port and UPS RJ45 Port

Temperature Sensor (RJ45)	UPS BAT_T (RJ45)	Description
Pin 1/5	Pin 1/5	TX
Pin 2/4	Pin 2/4	RX
Pin 7	Pin 7	12V
Pin 8	Pin 8	GND

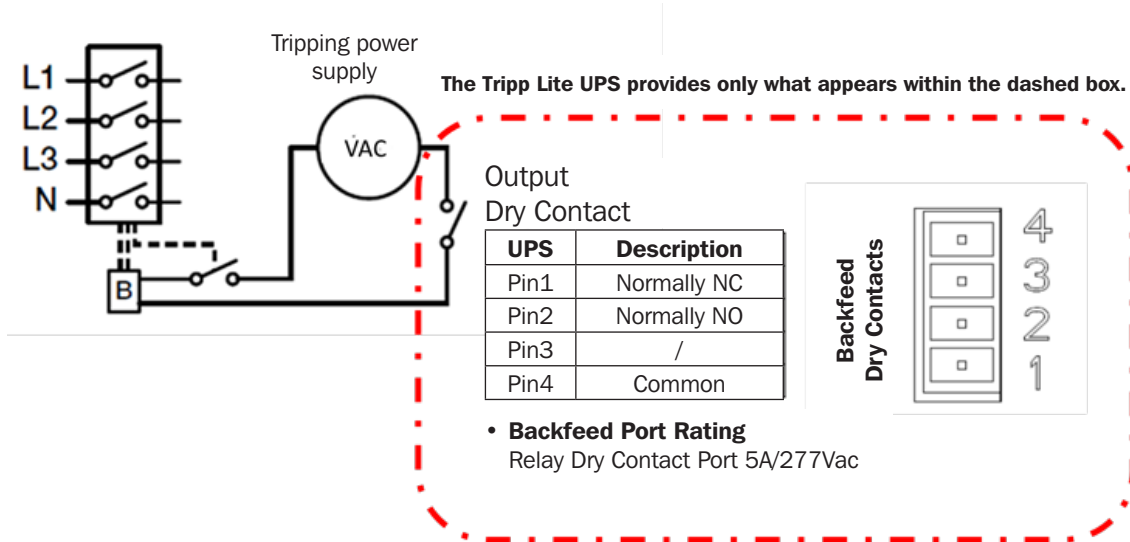
### Available Functions of the BAT\_T Port

- Battery environment temperature monitoring
- Charging voltage modulation depending on batteries' temperature

# 7. Communications

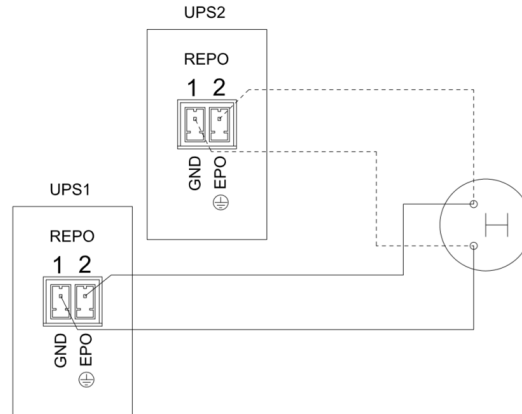
## 7.7 Backfeed: Relay Dry Contacts Port

The backfeed port is a male connector.



## 7.8 REPO Connection

Connection Diagram



### Connection between the button and UPS REPO port

Button	UPS REPO	Description
Pin 1	Pin 1	EPO
Pin 2	Pin 2	GND

- A remote emergency stop switch (dry contact signal and “normally closed,” not included) can be installed in a remote location and connection through simple wires to the REPO connector.
- The remote switch can be connected to several UPS systems in a parallel architecture, allowing the user to stop all units at once.
- The REPO contact must be open for at least 3 seconds to be activated.

## 8. Storage and Maintenance

### 8.1 Storage

The UPS must be stored in a clean, secure environment with a temperature less than 104°F (40°C) and a relative humidity less than 90% (non-condensing). Store the UPS in its original shipping container if possible. If installation occurs more than 6 months after you receive the UPS system, recharge the batteries for at least 24 hours prior to use. Do not rely on the UPS to provide backup power to connected equipment until the batteries are fully charged.

#### Storing the UPS and Batteries

When storing the UPS with self-contained batteries and optional cabinets, the following requirements should be met:

- Ensure batteries are disconnected from the UPS and all breakers are in the “off” position.
- Avoid temperature and humidity extremes. To maximize battery life, the recommended storage temperature is 59°F (15°C) to 77°F (25°C).
- The UPS and all batteries must be recharged every 6 to 8 months.
- It is recommended that the batteries charge for 48 hours while in storage.

**Note:** If the UPS system remains off for an extended period of time, it should be turned on periodically to allow the batteries to recharge. The UPS system should be turned on and the batteries should be recharged at least one uninterrupted 24-hour period every 3 months. Failure to recharge the batteries periodically may cause irreversible battery damage.

### 8.2 Maintenance

Tripp Lite recommends annual preventive maintenance be performed on this product to ensure reliability and longevity. Certified technicians are required to perform startup, preventive maintenance and repairs to validate all warranties. Contact your local representative or email [sales@tripplite.com](mailto:sales@tripplite.com) for more information.

#### General UPS and Battery Maintenance

The area around the UPS must be kept clean and dust-free.

For full battery life, keep the UPS at an ambient temperature of 77°F (25°C).

**Note:** Service life varies, depending on the frequency of usage and ambient temperature. Batteries used beyond expected service life will often have severely reduced runtimes. Replace batteries at least every 5 years to keep the unit running at peak efficiency.

- The UPS system operates with hazardous voltage. Repairs should be performed only by certified Tripp Lite technicians.
- Even after the unit is disconnected from the mains, potentially dangerous components inside the UPS system are still connected to the battery packs.
- Before carrying out any kind of service and/or maintenance, disconnect the batteries and verify no current is present and no hazardous voltage exists in the terminals of high-capability capacitors, such as BUS-capacitors.
- Only qualified technicians taking the required precautionary measures may replace batteries and supervise operations. Unauthorized persons should not perform battery maintenance.
- Verify no voltage between the battery terminals and the ground is present before maintenance or repair. The battery circuit is not isolated from the input voltage. Hazardous voltages may occur between the battery terminals and the ground.
- Batteries may cause electric shock and have a high short-circuit current. Remove all wristwatches, rings and other metal personal objects before maintenance or repair, and use only tools with insulated grips and handles for maintenance or repair.
- When replacing the batteries, install the same number, type and battery capacity.
- Do not attempt to dispose of batteries by burning them. This could cause a battery explosion. Batteries must be appropriately disposed of according to local regulations.
- Do not open or destroy batteries. Escaping electrolytes may be toxic and can cause injury to the skin and eyes.
- To avoid fire hazards, replace the fuse only with the same type and amperage.
- Do not disassemble the UPS system.

## 8. Storage and Maintenance

### 8.3 Battery

Tripp Lite's S3M-Series UPS systems use sealed lead-acid batteries. The battery life depends on operating temperature, the usage and the charging/discharging frequency. High-temperature environments and high charging/discharging frequency will quickly shorten the battery life. Please follow the suggestions below to ensure a normal battery lifetime.

1. Keep operating temperature between 32°F to 104°F.
2. For optimum battery performance and life, operate at a regulated 77°F.
3. When the UPS needs to be stored for an extended period of time, the batteries must be recharged once every three months and the charging time must not be less than 24 hours each time.

### 8.4 Fan

Higher temperatures shorten fan life. When the UPS is running, ensure all fans are working normally and make sure air can move freely around and through the UPS. If not, replace the fans.

**Note:** Contact Tripp Lite Technical Support for more maintenance information. Do not perform maintenance if you are not qualified to do so.

# 9. Specifications

Model	S3M10K1B	S3M10K2B	S3M10K3B	S3M10K-NIB	S3M15K2B	S3M15K3B	S3M15K-NIB	S3M20K3B	S3M20K-NIB
<b>OVERVIEW</b>									
Capacity	10 kVA/10 kW	10 kVA/10 kW	10 kVA/10 kW	10 kVA/10 kW	15 kVA/15 kW	15 kVA/15 kW	15 kVA/15 kW	20 kVA/20 kW	20 kVA/20 kW
Topology	True On-Line Double Conversion; Voltage- and Frequency-Independent (VFI)								
<b>INPUT</b>									
Voltage and Phase	Ph-Ph 208/220V (Ph-N 120V/127V); 3-Phase, Neutral and Ground								
Voltage Range	-20%, +25% (Ph-Ph 166–260V or 176–275V) at 100% Load; -40%, +25% (Ph-Ph 125–260V or 132–275V) at <50% Load								
Frequency (Range)	50/60 Hz, Selectable (40 – 70 Hz)								
Power Factor	≥ 0.99 (Linear Load)								
Dual AC Input	Yes								
Harmonic Distortion	< 2% THDi (100% Load)								
<b>OUTPUT</b>									
Voltage and Phase	Ph-Ph 208/220V (Ph-N 120V/127V); 3-Phase, Neutral and Ground								
AC Voltage Regulation	±1% of Nominal (Double-Conversion Mode, Converter Mode or Battery Mode); ±10% of Nominal (ECO Mode)								
Power Factor	1.0 (Unity Output Power Factor)								
Frequency	Selectable ±1%, ±2%, ±4%, ±5%, ±10% of Input (Default: ±10%)								
Frequency Regulation	±0.1 Hz (Converter Mode or Battery Mode)								
Overload (AC Mode)	Load ≤ 110%=1 hour; Load ≤ 125%=10 min.; Load ≤ 150%=1 min.; Load >150%=Bypass								
Crest Factor	3:1 Maximum								
Harmonic Distortion	≤ 1% THD (100% Linear Load); ≤ 3% THD (100% Non-Linear Load)								
Waveform	Pure Sine Wave								
Transfer Time	0 ms (Line ↔ Battery and Inverter ↔ Bypass)								
Parallel Capability	Parallel Up to 4 Units for Increased Capacity or N+N Redundancy								
<b>BYPASS</b>									
Bypass Voltage Range	Upper Limit: +10%, +15%, +20% or +25% (Default: +20%); Lower Limit: -10%, -20%, -30% or -40% (Default: -30%)								
Bypass Frequency Range	±10% (Adjustable)								
<b>EFFICIENCY</b>									
AC Line Mode	Up to 94%								
ECO Mode	Up to 98%								
<b>BATTERY AND CHARGER</b>									
Battery Type	12V Maintenance-Free Non-Spillable VRLA AGM/GEL								
DC Acceptance Voltage	±120V DC (240V DC) (Nominal)								
Battery Configuration	Internal Only	Internal Only	Internal Only	External Only*	Internal Only	Internal Only	External Only*	Internal Only	External Only*
Internal Battery Quantity	20 x 9 Ah	40 x 9 Ah	60 x 9 Ah	None*	40 x 9 Ah	60 x 9 Ah	None*	60 x 9 Ah	None*
Runtime (100% Load) (est.)	4 min.	9 min.	20 min.	27 – 88 min.*	6 min.	13 min.	15 – 55 min.*	7 min.	10 – 38 min.*
Runtime (50% Load) (est.)	10 min.	22 min.	45 min.	60 – 212 min.*	13 min.	27 min.	35 – 125 min.*	16 min.	27 – 88 min.*
External Battery Packs (BP) / Cabinet for UPS Models without Internal Batteries	Refer to section <b>3.9.1 UPS and Battery Cabinet Compatibility</b>								
Recharge Time to 90%	≤ 8 hr.	≤ 8 hr.	≤ 8 hr.	Varies with BP	≤ 8 hr.	≤ 8 hr.	Varies with BP	≤ 8 hr.	Varies with BP
Charging Current (Default)	1 – 20A (1.35A)	1 – 20A (2.7A)	1 – 20A (4.05A)	1 – 20A (2.7A)	1 – 20A (2.7A)	1 – 20A (4.05A)	1 – 20A (2.7A)	1 – 20A (4.05A)	1 – 20A (2.7A)
<b>ENVIRONMENT</b>									
Operating Temperature	0 – 40° C (≤ 25° C for optimal battery lifespan.)								
Storage Temperature	0 – 35° C (UPS with batteries.); -15 – 60° C (UPS without batteries.)								
Operating Humidity	0 – 95% (Non-Condensing)								
Operating Altitude	< 1000 m (Derate output power by 1% per 100 m above 1000 m.)								
Audible Noise at 1 m	< 58 dBA	< 58 dBA	< 58 dBA	< 58 dBA	< 58 dBA	< 58 dBA	< 58 dBA	< 60 dBA	< 60 dBA
Heat Dissipation (100% Load)	2457 BTU/h			3686 BTU/h			4915 BTU/h		
<b>MANAGEMENT</b>									
Control Panel	Large 12.7 cm (5-inch) Multi-Language Touchscreen Display with Supplemental LEDs								
Communications	SNMP Network Management Card (WEBCARDLX)**; Relay I/O Card Slot, EPO/REPO, Temp Probe, MODBUS RTU via RS-485, RS-232 and USB Ports								
<b>STANDARDS</b>									
Safety	UL1778:2014 (5th Edition); CAN/CSA-C22.2 No. 107.3-14 (3rd Edition)								
EMC/EMI	FCC Part 15B Class A								
Additional	ENERGY STAR 2.0, RETIE, IP20 Ingress Protection Rating; RoHS; ISTA 3B/Vibration, Shock and Tip tested.								
<b>PHYSICAL</b>									
Unit Dimensions (H x W x D)	868 x 250 x 900 mm (34.2 x 9.8 x 35.4 in.)								
Unit Weight	136 kg (300 lb.)	187 kg (412 lb.)	237 kg (522 lb.)	81 kg (179 lb.)	188 kg (414 lb.)	238 kg (525 lb.)	82 kg (181 lb.)	239 kg (527 lb.)	83 kg (183 lb.)

\* Runtimes depend on the external battery cabinet model being used. \*\* Tripp Lite's **WEBCARDLX** is an optional accessory available for all models.

# 10. Warranty

## Limited Factory Warranty for Tripp Lite 3-Phase UPS Products

Seller warrants the product, if used in accordance with the manufacturer's specifications, as outlined in the owner's manual and all applicable instructions, and as verified by Tripp Lite's UPS commissioning service, to be free from original defects in material and workmanship. This Warranty applies for a period of:

Product Type	Region	
	Continental USA and Canada	International Markets (Not Including USA and Canada)
UPS Electronics and UPS Internal Batteries	Two years from Tripp Lite UPS commissioning or 30 months from shipment, whichever is less.	Two years from Tripp Lite UPS commissioning or 30 months from shipment, whichever is less.
UPS External Batteries	One year from Tripp Lite UPS commissioning or 18 months from shipment, whichever is less.	One year from Tripp Lite UPS commissioning or 18 months from shipment, whichever is less.

If the product should prove defective in material or workmanship within that period, Seller will repair or replace the defective parts at no cost.

The product must be commissioned by an authorized and approved Tripp Lite service technician, and the applicable commissioning or maintenance documentation must be submitted to and approved by Tripp Lite, for this Warranty to be valid. If the product has not been commissioned by an authorized Tripp Lite service technician, eligible replacement parts may be provided, but ineligible parts charges and labor charges will apply based on published Tripp Lite parts pricing and time and material rates.

This Warranty does not apply to batteries sourced outside of Tripp Lite or any other components sourced outside of Tripp Lite. This Warranty is not transferable and applies to the original end-user only. This Warranty does not apply to other Tripp Lite warranty extensions or service contracts, as those products carry their own terms. Service under this Warranty can only be obtained by contacting Tripp Lite Customer Service:


- For USA and Canada: write to Tripp Lite Customer Service, 1111 W. 35th St., Chicago, IL 60609; call +1.773.869.1234, email techsupport@tripplite.com or visit tripplite.com/support/help
- For all other regions: call +1.773.869.1313 or email intlservice@tripplite.com

THIS WARRANTY DOES NOT APPLY TO NORMAL WEAR OR TO DAMAGE RESULTING FROM IMPROPER INSTALLATION, REPAIR, MODIFICATION, START-UP, MAINTENANCE OR TESTING BY NON-TRIPP LITE DESIGNATED PERSONNEL; ACCIDENT; MISUSE; NEGLIGENCE; INCORRECT OR INADEQUATE ELECTRICAL VOLTAGE OR CONNECTION; INAPPROPRIATE ON-SITE OPERATION CONDITIONS; CORROSIVE ATMOSPHERE; A CHANGE IN LOCATION OR OPERATING USE; EXPOSURE TO THE ELEMENTS; ABUSE; NEGLIGENCE OR ANY OTHER CAUSE BEYOND THE RANGE OF THE INTENDED USE AS DETERMINED BY TRIPP LITE. SELLER MAKES NO EXPRESS WARRANTIES OTHER THAN THE WARRANTY EXPRESSLY SET FORTH HEREIN. EXCEPT TO THE EXTENT PROHIBITED BY APPLICABLE LAW, ALL IMPLIED WARRANTIES, INCLUDING ALL WARRANTIES OF MERCHANTABILITY OR FITNESS FOR A PARTICULAR PURPOSE, ARE LIMITED IN DURATION TO THE WARRANTY PERIOD SET FORTH ABOVE; AND THIS WARRANTY EXPRESSLY EXCLUDES ALL INCIDENTAL AND CONSEQUENTIAL DAMAGES. (USA: Some states do not allow limitations on how long an implied warranty lasts, and some states do not allow the exclusion or limitation of incidental or consequential damages, so the above limitations or exclusions may not apply to you. This Warranty gives you specific legal rights, and you may have other rights, which vary from jurisdiction to jurisdiction.)

## Regulatory Compliance Identification Numbers

For the purpose of regulatory compliance certifications and identification, your Tripp Lite product has been assigned a unique series number. The series number can be found on the product nameplate label, along with all required approval markings and information. When requesting compliance information for this product, always refer to the series number. The series number should not be confused with the marketing name or model number of the product.

## WEEE Compliance Information for Tripp Lite Customers and Recyclers (European Union)

 Under the Waste Electrical and Electronic Equipment (WEEE) Directive and implementing regulations, when customers buy new electrical and electronic equipment from Tripp Lite they are entitled to:

- Send old equipment for recycling on a one-for-one, like-for-like basis (this varies depending on the country)
- Send the new equipment back for recycling when this ultimately becomes waste

Tripp Lite has a policy of continuous improvement. Specifications are subject to change without notice. Photos and illustrations may differ slightly from actual products.



1111 W. 35th Street, Chicago, IL 60609 USA • tripplite.com/support



# Manual del Propietario

## Sistemas UPS Trifásicos SmartOnline® S3M

Modelos: S3M10K1B, S3M10K2B, S3M10K3B, S3M10K-NIB,  
S3M15K2B, S3M15K3B, S3M15K-NIB, S3M20K3B, S3M20K-NIB

Entrada: 120V / 127V (Fase a Neutro), 208V / 220V (Entre Fases), 3Ø 4 Hilos + Tierra Física



English 1 • Français 144



1111 W. 35th Street, Chicago, IL 60609 EE UU • [tripplite.com/support](http://tripplite.com/support)

Copyright © 2021 Tripp Lite. Todos los derechos reservados.

<b>1. Introducción</b>	<b>76</b>	<b>3.9 Procedimiento de Instalación de la Batería Interna para Modelos de UPS sin Baterías Internas (Modelos NIB)</b>	<b>89</b>
<b>2. Advertencias de Seguridad Importantes</b>	<b>78</b>	3.9.1 Compatibilidad del UPS y Gabinete de Baterías	90
2.1 Advertencias para la Ubicación del UPS	78	3.9.2 Conectores para Cable de la Batería Interna del UPS	90
2.2 Advertencias para la Conexión del Equipo	78	3.9.3 Instalación de la Batería	91
2.3 Advertencias de la Batería	78	<b>3.10 Conexión de la Batería</b>	<b>97</b>
2.4 Transporte y Almacenamiento	79	<b>3.11 Instalación de un Solo UPS</b>	<b>99</b>
2.5 Preparación	79	<b>3.12 Conexión para un Cable de Alimentación</b>	<b>100</b>
2.6 Instalación	79	3.12.1 Conexión de Entrada Única (Alimentación de la Red Pública)	101
2.7 Advertencias sobre la conexión	80	<b>3.13 Conexiones de Entrada Dobles (Alimentación de la Red Pública y de Derivación)</b>	<b>102</b>
2.8 Operación	80	<b>3.14 Instalación del UPS para Sistemas en Paralelo</b>	<b>103</b>
2.9 Cumplimiento del Estándar	80	3.14.1 Instalación de Cable en Paralelo	103
<b>3. Instalación y Cableado</b>	<b>81</b>	3.14.2 Requerimientos del Sistema en Paralelo	104
3.1 Advertencia de Seguridad Importante	81	<b>3.15 Conexiones de la Batería Externa</b>	<b>105</b>
3.2 Inspección del Empaque	81	3.15.1 Instalación y Configuración	106
3.2.1 Inspección Externa	81	<b>4. Operación</b>	<b>107</b>
3.2.2 Inspección Interna	81	4.1 Modos de Operación	107
3.2.3 Contenido del Empaque	81	4.1.1 Modo en Línea de CA	107
3.3 Datos mecánicos	82	4.1.2 Modo de Respaldo por Batería (Modo de Energía Almacenada)	107
3.3.1 Dimensiones	82	4.1.3 Modo en Derivación	108
3.3.2 Requerimientos Físicos	83	4.1.4 Modo ECO	108
3.4 Desempacado del UPS	84	4.1.5 Modo de Mantenimiento (Derivación Manual)	109
3.5 Descripción General	85	<b>4.2 Encendido y Apagado del UPS</b>	<b>109</b>
3.6 Panel de Control LCD, LEDs y Alarmas	87	4.2.1 Arranque Básico	109
3.6.1 Introducción: Pantalla LCD	87	4.2.2 Apagado del UPS	109
3.6.2 Introducción: Alarmas Acústicas y LEDs	87	4.2.3 Arranque en Frío	110
3.7 Notas para la Instalación	88	4.2.4 Transferencia a Modo en Derivación para Mantenimiento	110
3.8 Dispositivos Protectores Externos	89	4.2.5 Transferencia desde el Modo en Derivación para Mantenimiento al Modo en Línea o ECO	110
3.8.1 Batería Externa	89		
3.8.2 Salida del UPS	89		
3.8.3 Protección contra Sobrecorriente	89		

# Índice

<b>4.3 Alarmas, LEDs y Pantalla LCD</b>	<b>111</b>	<b>7. Comunicaciones</b>	<b>135</b>
4.3.1 Descripción General de Alarmas Acústicas e Indicadores LED	111	7.1 Tarjeta para Administración de Red	135
4.3.2 Introducción al Panel de Control LCD	111	7.2 Tarjeta de Relevador	135
4.3.3 Página Principal: Pantalla Predeterminada	112	7.3 Definición de Puerto de Comunicación USB	136
4.3.4 Pantalla de Estado	113	7.4 Definición del Puerto de Comunicación RS-232	136
4.3.5 Interfaz de la Alarma	116	7.5 Definición de Puerto de Comunicación RS-485	136
4.3.6 Pantalla de Configuración	118	7.6 Definición de Puerto de Comunicación BAT_T	138
4.3.6.1 Pantalla de Configuración Básica	118	7.7 Retroalimentación: Puerto de Contactos Secos por Relevador	139
4.3.6.2 Pantalla de Configuración Avanzada	120	7.8 Conexión de REPO	139
4.3.6.3 Pantalla Mant (Mantenimiento)	127	<b>8. Almacenamiento y Mantenimiento</b>	<b>140</b>
4.3.6.4 Pantalla Común	129	8.1 Almacenamiento	140
4.3.6.5 Acerca de la Pantalla	131	8.2 Mantenimiento	140
4.4 Mensajes de Pantalla y Alarmas	131	8.3 Batería	141
<b>5. Puesta en Marcha del Sistema en Paralelo</b>	<b>133</b>	8.4 Ventilador	141
<b>6. Solución de Problemas</b>	<b>134</b>	<b>9. Especificaciones</b>	<b>142</b>
		<b>10. Garantía</b>	<b>143</b>
		<b>English</b>	<b>1</b>
		<b>Français</b>	<b>144</b>

# 1. Introducción

El Sistema de Respaldo Ininterrumpible [UPS] SmartOnline Serie S3M de Tripp Lite es un Sistema UPS trifásico 100% en línea de doble conversión con Voltaje y Frecuencia Independiente [VFI]. Este UPS acondiciona continuamente la alimentación de energía eléctrica, eliminando perturbaciones en la energía que de otra forma dañarían los dispositivos electrónicos delicados y minimizando el tiempo muerto ocasionado por fluctuaciones e interrupciones de energía.

La Serie S3M utiliza la tecnología más reciente de control digital DSP y un factor de potencia de salida de uno. Los sistemas UPS de la Serie S3M están diseñados para los más altos estándares de calidad y rendimiento y ofrecen las siguientes características líderes del mercado:

Modelo de UPS	Número de Agencia	Capacidad
S3M10K1B	AG-0588	10000W
S3M10K2B	AG-0589	
S3M10K3B	AG-0449	
S3M10K-NIB	AG-058A	
S3M15K2B	AG-058C	15000W
S3M15K3B	AG-044A	
S3M15K-NIB	AG-058D	
S3M20K3B	AG-044B	20000W
S3M20K-NIB	AG-058E	

- UPS 100 % en línea – el más alto nivel de protección por UPS, regula completamente la alimentación de energía con cero tiempo de transferencia a la batería en caso de una falla prolongada de la energía de la red pública para que las cargas críticas permanezcan soportadas
- Certificado ENERGY STAR® 2.0 – ofrece la mayor eficiencia para minimizar costos de energía de la red pública y gastos. Energy STAR es un programa conjunto de la Agencia de Protección del Medio Ambiente [EPA] y el Departamento de Energía [DOE]. “Su objetivo es ayudar a los consumidores, empresas e industria a ahorrar dinero y proteger el medio ambiente mediante la adopción de productos y prácticas eficientes desde el punto de vista energético. La etiqueta ENERGY STAR identifica productos de alto rendimiento y rentables. Para obtener más información, visite [www.energy.gov/eere/buildings/energy-star](http://www.energy.gov/eere/buildings/energy-star).”
- Eficiencia de alto rendimiento de hasta 94% en modo en línea de CA y de 98% en modo ECO
- Factor de Potencia de Uno [PF1] – más potencia real permite soportar más equipo
- El tamaño más compacto en su clase libera espacio para equipos generadores de ingresos
- Conexión en Paralelo para capacidad (3N+1) y redundancia – hasta cuatro sistemas UPS pueden usar solo un gabinete de baterías
- Derivación para mantenimiento automática y manual para aumentar la confiabilidad del sistema y permitir el mantenimiento sin retirar la energía de la carga conectada
- Amplia ventana de voltaje de entrada – el sistema UPS regula incluso la corriente eléctrica de entrada de calidad deficiente sin cambiar al respaldo por batería, maximizando la disponibilidad del sistema y protegiendo la vida de la batería
- Gran pantalla táctil intuitiva de 12.7 mm [5"], multilingüe para facilidad de uso
- Poderoso e inteligente cargador de batería (hasta 20A) para minimizar el tiempo de carga de la batería, aumentando la confiabilidad del sistema
- Apagado de emergencia (botón EPO, REPO remoto) y botón de arranque en frío de fácil manejo
- Tarjeta opcional de monitoreo remoto SNMP de red y tarjetas de administración de cierre de contacto disponibles
- Tres puertos MODBUS RTU: RS-485, RS-232, USB; estándar en todos los modelos
- Capacidad de entrada doble y sencilla de CA estándar en todos los modelos
- Variedad de modelos con y sin baterías internas para minimizar costos y adecuarse a sus necesidades de autonomía
- Diseño del panel frontal compatible con los gabinetes externos de batería y transformador (480V) (opcional)

**Nota:** Todos los accesorios, transformadores y recursos de UPS trifásicos de Tripp Lite para los modelos de la Serie S3M y otras soluciones de UPS trifásicos están disponibles en [triplite.com/pages/3-phase-ups-solutions](http://triplite.com/pages/3-phase-ups-solutions).

# 1. Introducción

Los sistemas UPS SmartOnline de la serie S3M son ideales para la protección y soporte de las siguientes aplicaciones eléctricas de misión crítica:

- Infraestructura de TI – pequeños centros de datos, edge computing y centros de datos compartidos
- Telecomunicaciones
- Redes (LAN / WAN)
- Infraestructura corporativa
- Sistemas de seguridad y emergencia de carga sin motor
- Instituciones financieras, gubernamentales, educativas y de investigación
- Aplicaciones de manufactura y de cuidado de la salud con modelos con transformador (480V) + juego de UPS

**Nota:** Todos los accesorios, transformadores y recursos de UPS trifásicos de Tripp Lite para los modelos de la Serie S3M y otras soluciones de UPS trifásicos están disponibles en [tripplite.com/pages/3-phase-ups-solutions](https://www.tripplite.com/pages/3-phase-ups-solutions).

## 2. Advertencias de Seguridad Importantes

### CONSERVE ESTAS INSTRUCCIONES

Este manual contiene instrucciones y advertencias importantes que deben seguirse durante la instalación y mantenimiento de todos los sistemas UPS trifásicos Smartonline S3M de 10kVA, 15kVA y 20kVA y sus baterías. El incumplimiento de estas advertencias puede afectar la garantía.

### 2.1 Advertencias para la Ubicación del UPS

- Instale el UPS en interiores, alejado del calor, luz solar directa, polvo y humedad excesivos u otros contaminantes conductores.
- Instale el UPS en un área estructuralmente sólida. El UPS es extremadamente pesado; tenga cuidado al mover y levantar la unidad.
- Opere el UPS únicamente a temperaturas interiores entre 0 °C y 40 °C.
- El rendimiento óptimo del UPS y la vida máxima de la batería se alcanzan cuando la temperatura de operación se mantiene entre 17 °C y 25 °C.
- Garantice que el área de instalación tenga suficiente espacio para mantenimiento y ventilación del sistema UPS. Mantenga una distancia libre mínima de 50 cm desde la parte posterior, frontal y ambos costados del UPS para mantenimiento y ventilación.
- No instale el UPS cerca de medios de almacenamiento magnéticos, ya que puede causar la corrupción de los datos.

### 2.2 Advertencias para la Conexión del Equipo

- No se recomienda el uso de este equipo en aplicaciones de soporte de vida en donde razonablemente se pueda esperar que la falla de este equipo cause la falla del equipo de soporte de vida o afecte significativamente su seguridad o efectividad.
- Los modelos de UPS S3M10K1B, S3M10K2B, S3M10K3B, S3M15K2B, S3M15K3B y S3M20K3B contienen su propia fuente de energía (baterías). Las terminales de salida pueden estar energizadas, aún cuando el UPS no esté conectado a una alimentación de CA.

### 2.3 Advertencias de la Batería



Este UPS contiene VOLTAJES LETALES. El UPS está diseñado para suministrar energía incluso cuando esté desconectado del suministro de energía. Únicamente PERSONAL DE SERVICIO AUTORIZADO debe acceder al interior del UPS después de desconectar la energía de la red pública o de CD.



Las baterías presentan un riesgo de descarga eléctrica y quemaduras por la alta corriente de cortocircuito. La conexión y reemplazo de la batería debe llevarse a cabo sólo por personal de servicio calificado que observe las precauciones apropiadas. Apague el UPS antes de conectar o desconectar las baterías internas. Use herramientas con mangos aislados. No abra las baterías. No ponga en corto o puentee las terminales de la batería con ningún objeto.

- Las baterías son reciclables. Para información sobre el reciclado, consulte los códigos locales para los requisitos en cuanto a eliminación o visite [tripplite.com/support/recycling-program](http://tripplite.com/support/recycling-program).
- No arroje las baterías al fuego, ni mutile las baterías ni abra las cubiertas de la batería. Los electrolitos que escapan pueden ser tóxicos y causar lesiones a la piel y ojos.
- No desconecte las baterías mientras el UPS esté en modo de respaldo por batería.
- Desconecte la fuente de carga antes de conectar o desconectar las terminales.
- Deben observarse las siguientes precauciones:
  - 1) Retire relojes, anillos y otros objetos metálicos.
  - 2) Use herramientas con mangos aislados.
  - 3) Use guantes de hule y botas de grado eléctrico.
  - 4) Use un tapete de hule de grado eléctrico mientras da servicio a las baterías.
  - 5) No ponga herramientas o piezas metálicas sobre las baterías o los gabinetes de las baterías.

## 2. Advertencias Importantes de Seguridad

- 6) Determine si la alimentación de batería (+, -, N) se ha conectado a tierra de forma inadvertida. De ser así, elimine la fuente de la conexión a tierra. Hacer contacto con cualquier parte de una batería conectada a tierra puede causar una descarga eléctrica. La posibilidad de una descarga se reduce si las conexiones a tierra son eliminadas durante la instalación y mantenimiento.
- El reemplazo de la batería debe realizarlo únicamente el personal de servicio autorizado usando el mismo número y tipo de baterías (Plomo-Ácido Selladas).



**ADVERTENCIA: A fin de evitar cualquier condición riesgosa durante la instalación y mantenimiento del UPS, estas tareas pueden ejecutarse solamente por personal calificado y electricistas expertos.**

Antes de instalar o usar la unidad, lea cuidadosamente este Manual del Propietario y las instrucciones de seguridad.

### 2.4 Transporte y Almacenamiento

- ⚠ Para protegerlo contra golpes e impactos, transporte el sistema UPS únicamente en el empaque original.
- ⚠ El UPS debe almacenarse en un cuarto seco y ventilado.

### 2.5 Preparación

- ⚠ Si el sistema UPS se mueve de un ambiente frío a uno caliente, puede producirse condensación. El sistema UPS debe estar completamente seco antes de instalarse. Permita al menos dos horas para que el sistema UPS se adapte al ambiente.
- ⚠ No instale el sistema UPS cerca del agua o en ambientes húmedos.
- ⚠ No instale el sistema UPS en la luz solar directa o cerca de fuentes de calor.
- ⚠ No bloquee los orificios de ventilación en el gabinete del sistema UPS.

### 2.6 Instalación

- ⚠ No conecte aparatos o dispositivos que puedan sobrecargar el UPS (es decir, equipo con motores eléctricos) a los contactos o terminales de salida del UPS.
- ⚠ Ordene cuidadosamente los cables de modo que nadie pueda pisarlos o tropezar con ellos.
- ⚠ No bloquee las ventilas de aire del sistema UPS. El UPS debe instalarse en una ubicación con buena ventilación. Garantice espacio de ventilación adecuado a cada lado de la unidad.
- ⚠ El UPS contiene una terminal de conexión a tierra. En la configuración final del sistema instalado, asegure un aterrizado equipotencial al gabinete de batería externa del UPS interconectando las terminales de tierra de ambos gabinetes.
- ⚠ El UPS debe ser instalado solamente por personal de servicio de mantenimiento eléctrico calificado.
- ⚠ En la instalación de cableado del edificio, debe proporcionarse un dispositivo adecuado de desconexión como protección de respaldo contra cortocircuito.
- ⚠ En la instalación de cableado del edificio, debe incluirse un dispositivo integral único de apagado de emergencia.
- ⚠ Conecte la tierra física antes de conectar a la terminal de cableado del edificio.
- ⚠ La instalación y cableado deben ejecutarse de acuerdo con los códigos y reglamentos eléctricos locales.

## 2. Advertencias de Seguridad Importantes

### 2.7 Advertencias sobre la Conexión

- Este UPS debe conectarse con un sistema de conexión en tierra TN.
  - La fuente de alimentación para esta unidad debe estar especificada trifásica de acuerdo con la placa de identificación del equipo. Además, debe estar aterrizada correctamente.
  - La alimentación de entrada a modelos UPS trifásicos requiere de un breaker de 3 polos.
  - No se recomienda el uso de este equipo en aplicaciones de soporte de vida en donde razonablemente se pueda esperar que la falla de este equipo cause la falla del equipo de soporte de vida o afecte significativamente su seguridad o efectividad.
  - El UPS está conectado a una fuente de energía de CD (batería). Las terminales de salida aún pueden estar energizadas, aún cuando el UPS no esté conectado a una alimentación de CA.
- ⚠ Al instalar la unidad, verifique que cualquier panel de derivación de mantenimiento usado esté correctamente configurado antes de aplicar energía a la unidad.
- No olvide colocar una etiqueta de advertencia en todos los aisladores de energía primaria instalados remotamente de la zona de UPS y en cualquier punto de acceso externo entre dichos aisladores y el UPS. La etiqueta de advertencia deberá llevar la siguiente redacción o equivalente:

#### Antes de trabajar sobre este circuito

- Aísle el Sistema de Respaldo Ininterrumpible [UPS]
- Luego revise si hay voltaje peligroso entre todas las terminales incluyendo la toma de tierra.



#### Riesgo de Retroalimentación de Voltaje

- Estos modelos de UPS incluyen un conector de contacto seco retroalimentado en la parte posterior del UPS para protección contra retroalimentación.

### 2.8 Operación

- ⚠ No desconecte en ningún momento el cable conductor de tierra en el UPS o las terminales de cableado del edificio, ya que esto cancelará la conexión protectora a tierra del sistema UPS.
- ⚠ A fin de desconectar completamente el sistema UPS, refiérase a la sección **4.2.2 Apagado del UPS**, a continuación desconecte la alimentación de la red pública.
- ⚠ Asegúrese que no puedan entrar líquidos u otros objetos extraños en el sistema UPS.

### 2.9 Cumplimiento del Estándar

Este producto cumple con las siguientes normas de seguridad y estándares de inspección de compatibilidad electromagnética (EMC):

- UL 1778
- CSA C22.2 N° 107.3
- FCC Parte 15B Clase A



## 3. Instalación y Cableado

### 3.1 Advertencia de Seguridad Importante

Lea detenidamente este manual antes de realizar cualquier instalación y cableado. Un ingeniero autorizado de Tripp Lite debe llevar a cabo la puesta en marcha del UPS y un formato de puesta en marcha completo debe ser devuelto a Tripp Lite para activar la garantía del SmartOnline S3M. Para detalles adicionales, póngase en contacto con su proveedor local o [support@tripplite.com](mailto:support@tripplite.com). Para ubicar a su contacto local, vaya a [tripplite.com/support/contacts](http://tripplite.com/support/contacts) y haga click en "Centros de Servicio".

### 3.2 Inspección del Empaque

#### 3.2.1 Inspección Externa

Inspeccione el empaque exterior del UPS. Si se observa algún daño, compruebe la etiqueta adhesiva "Tip 'N Tell" en el empaque del UPS para ver si la caja del UPS fue inclinada. Si se inclinó, póngase en contacto de inmediato con el distribuidor al que le compró el UPS.

#### 3.2.2 Inspección Interna

1. Revise la etiqueta de clasificación en la parte superior del gabinete del UPS y cerciórese que el número de dispositivo y la capacidad coincidan con lo que usted pidió.
2. Examine si hay partes flojas o dañadas.
3. El paquete del UPS contiene los elementos que se relacionan a continuación. Por favor, compruebe si faltan elementos.
4. Si algo falta o está dañado, póngase en contacto de inmediato con el distribuidor a quien le compró el UPS.
5. Si el UPS debe ser devuelto, cuidadosamente re-empaque el UPS y todos los accesorios usando el material original de embalaje incluido con la unidad.

#### 3.2.3 Contenido del Empaque

- UPS
- Cable RS-232 (Macho / Hembra), 1.52 m [5 pies]
- Cable paralelo (Macho / Hembra), 1.52 m [5 pies]
- Cable USB, 1.52 m [5 pies]
- Los conectores Anderson para Cable de Batería se Configuran para Terminar un Cable de Batería (2 terminales negras, 2 blancas, 2 rojas y varias metálicas)
- Prensaestopas (x6) para Caja de Descarga de Cable (sujetadores impermeables)
- Los modelos de UPS S3M10K-NIB, S3M15K-NIB y S3M20K-NIB incluyen Cables para Cortos / Puentes de Batería (x54)
- Conector de Contacto Seco (Verde)
- Manual del Propietario

## 3. Instalación y Cableado

### 3.3 Datos Mecánicos

#### 3.3.1 Dimensiones

Las medidas listadas se aplican a todos los modelos de UPS de 10 kVA, 15 kVA y 20 kVA.

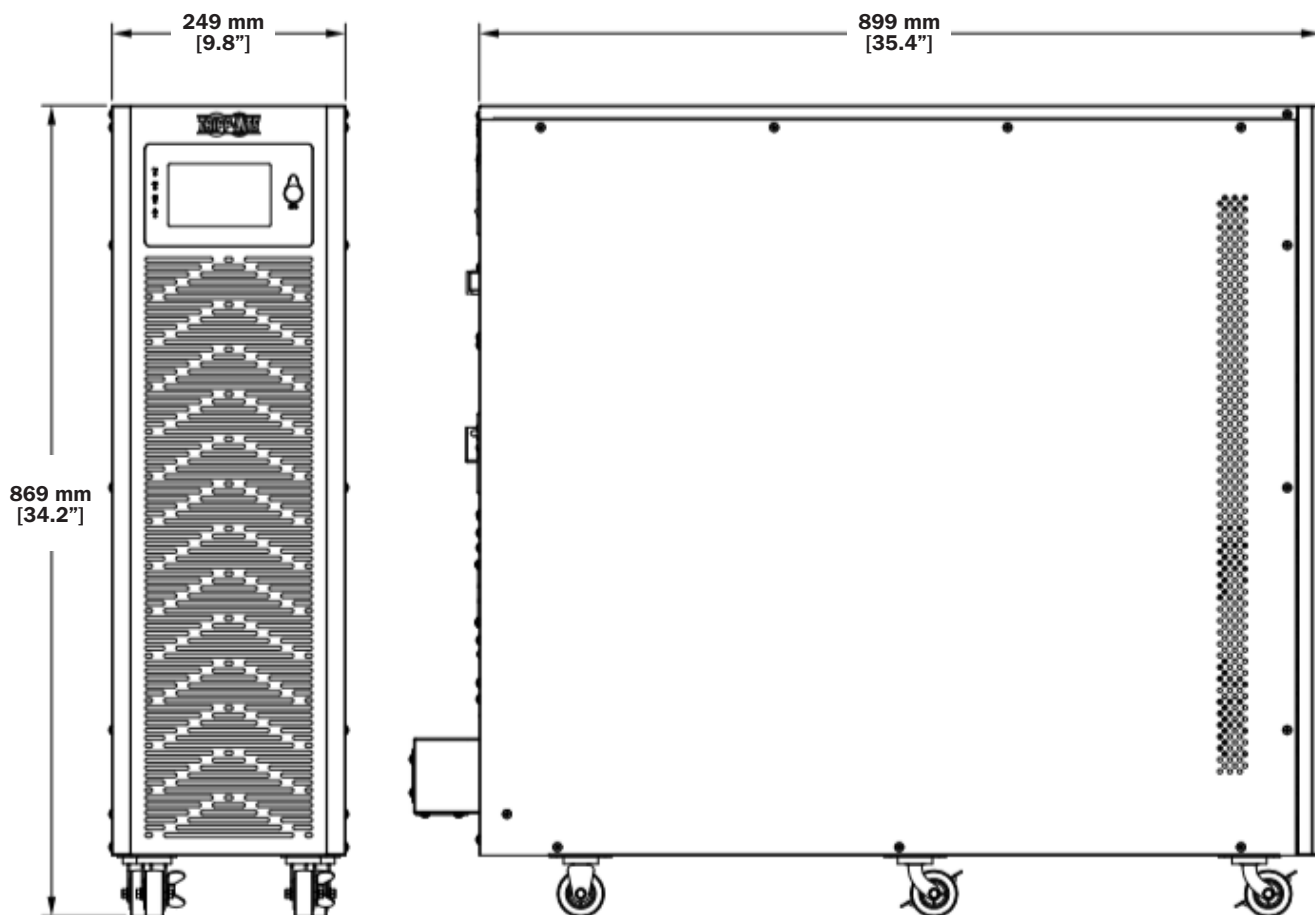


Figura 3-1: Dimensiones del UPS

## 3. Instalación y Cableado

### 3.3.2 Requerimientos Físicos

Deje un mínimo de 51 cm [20"] alrededor de los lados delantero, trasero e izquierdo del gabinete para operación y ventilación.

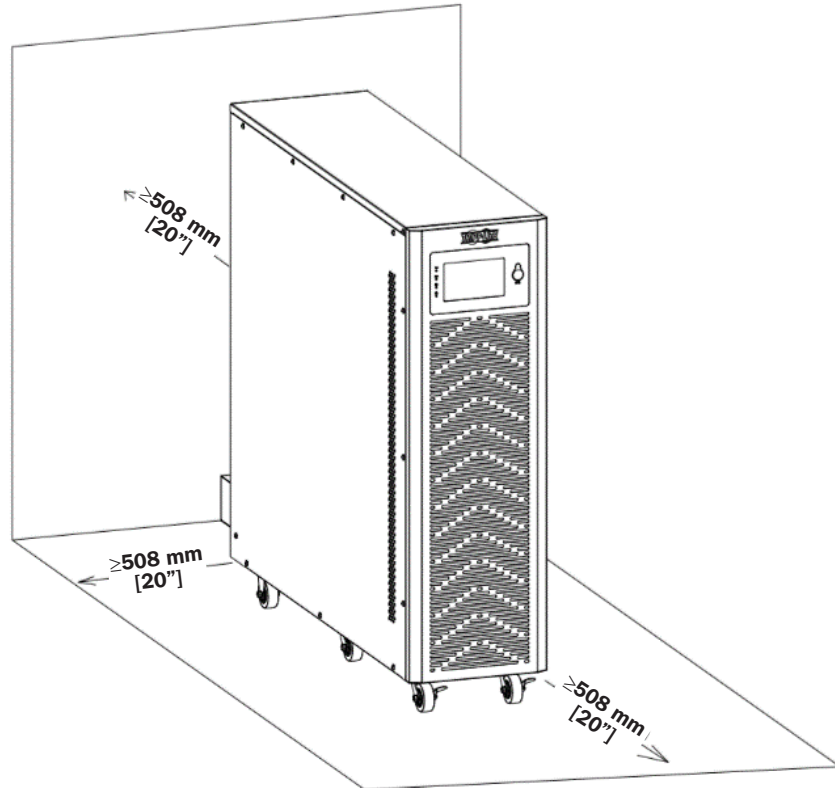


Figura 3-2: Requerimientos Físicos

## 3. Instalación y Cableado

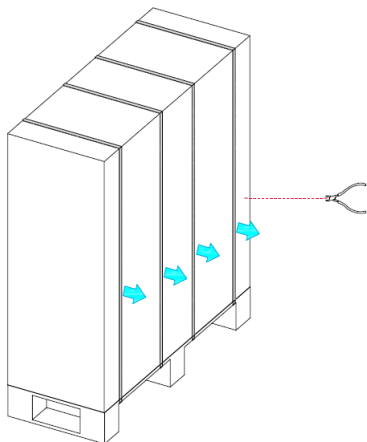
### 3.4 Desempacado del UPS

#### Notas:

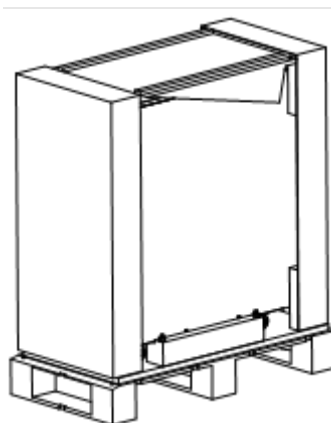
- No incline ni ladee el UPS al retirarlo del empaque.
- Asegúrese de que el UPS no se haya dañado durante el transporte (consulte la sección **3.2.1 Inspección Externa**). Si se observa cualquier daño, no encienda la unidad. Comuníquese inmediatamente con el distribuidor al que le compró el UPS.

#### Para desempacar el UPS:

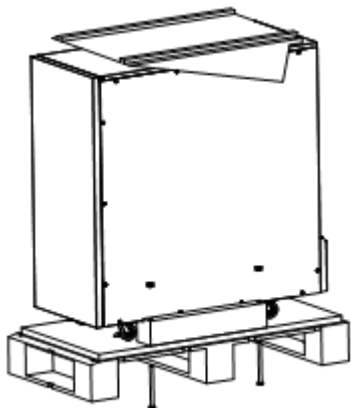
1. Retire el envoltorio.



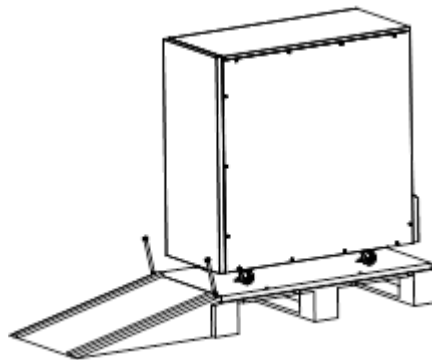
2. Retire el embalaje exterior del gabinete.



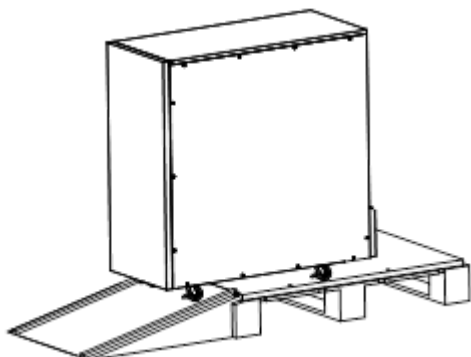
3. Retire el embalaje interno del gabinete, retire los tornillos y retire la barra de madera fijada al gabinete.



4. Coloque el tablero inclinado en el piso y ajústelo a la tarima usando los tornillos retirados en el paso 3.



5. Deslice lentamente la unidad de la tarima.



## 3. Instalación y Cableado

### 3.5 Descripción General

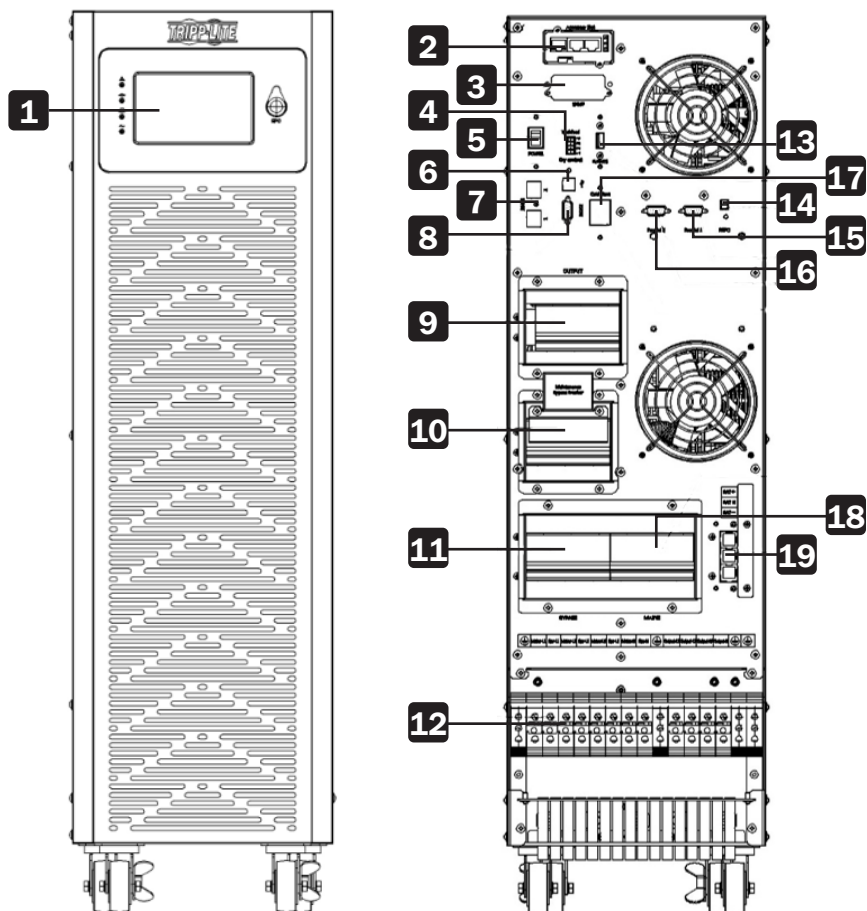


Figura 3-3: Vistas Frontal y Posterior del UPS de 10kVA (se muestra el bloque de terminales sin tapa)

- |  |  |
|--|--|
| <b>1</b> Panel LCD   | <b>11</b> Breaker de Derivación                              |
| <b>2</b> Ranura para tarjetas  | <b>12</b> Bloque de Terminales para Entrada, Salida y Tierra |
| <b>3</b> Puerto SNMP   | <b>13</b> EVENTOS (Puerto de Servicio)                       |
| <b>4</b> Contactos Secos de Retroalimentación  | <b>14</b> Puerto REPO  |
| <b>5</b> Interruptor de Alimentación<br>(Retire la cubierta para acceder al interruptor) | <b>15</b> Puerto Paralelo 1                                  |
| <b>6</b> Puerto USB  | <b>16</b> Puerto Paralelo 2                                  |
| <b>7</b> Dos Puertos RS-485<br>(MODBUS o Termostato de la Batería)                       | <b>17</b> Botón de Arranque en Frío                          |
| <b>8</b> Puerto RS-232   | <b>18</b> Breaker de Alimentación                            |
| <b>9</b> Breaker de Salida   | <b>19</b> Bloque de Terminales de la Batería                 |
| <b>10</b> Breaker para Mantenimiento<br>(se muestra descubierto)                         |  |

## 3. Instalación y Cableado

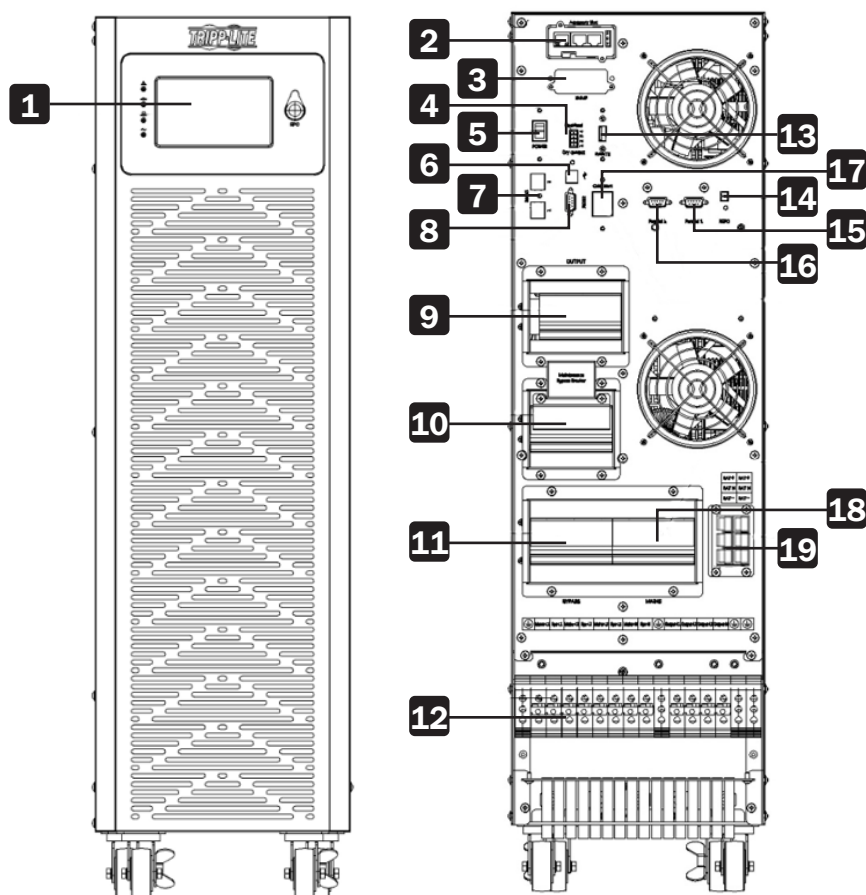


Figura 3-4: Vistas Frontal y Posterior del UPS de 15kVA / 20kVA (se muestra el bloque de terminales sin la tapa)

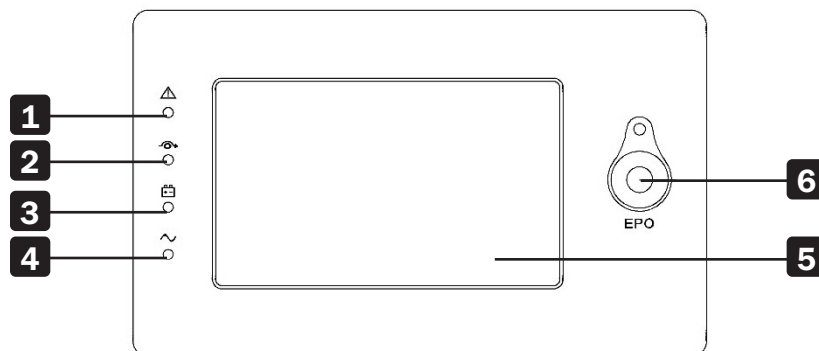
- |  |  |
|--|--|
| <b>1</b> Panel LCD   | <b>11</b> Breaker de Derivación                              |
| <b>2</b> Ranura para tarjetas  | <b>12</b> Bloque de Terminales para Entrada, Salida y Tierra |
| <b>3</b> Puerto SNMP   | <b>13</b> EVENTOS (Puerto de Servicio)                       |
| <b>4</b> Contactos Secos de Retroalimentación  | <b>14</b> Puerto REPO  |
| <b>5</b> Interruptor de Alimentación<br>(Retire la cubierta para acceder al interruptor) | <b>15</b> Puerto Paralelo 1                                  |
| <b>6</b> Puerto USB  | <b>16</b> Puerto Paralelo 2                                  |
| <b>7</b> Dos Puertos RS-485<br>(MODBUS o Termostato de la Batería)                       | <b>17</b> Botón de Arranque en Frío                          |
| <b>8</b> Puerto RS-232   | <b>18</b> Breaker de Alimentación                            |
| <b>9</b> Breaker de Salida   | <b>19</b> Bloque de Terminales de la Batería                 |
| <b>10</b> Breaker para Mantenimiento<br>(se muestra descubierto)                         |  |

## 3. Instalación y Cableado

### 3.6 Panel de Control LCD, LEDs y Alarmas

#### 3.6.1 Introducción: Pantalla LCD

Para información detallada sobre las funciones del Panel de Control del LCD, consulte las secciones **4.3.2 Introducción del Panel de Control del LCD** y **4.3.3 Página Principal: Pantalla Predeterminada**.



**1** LED de Alarma

**2** LED de Derivación

**3** LED de la Batería [En Respaldo]

**4** LED del Inversor

**5** Pantalla LCD Táctil, 127 mm [5"]

**6** Botón EPO (el botón debe oprimirse por al menos 3 segundos para activar EPO)

#### 3.6.2 Introducción: Alarmas Acústicas y LEDs

		Alarmas Acústicas		LEDs de Pantalla			
		Estado de la Alarma	Silenciable Encendido y Apagado	Alarma	Derivación	Batería	Inversor
<b>Modos del UPS</b>	Inicialización del UPS	Suena un Bip, Solo Una Vez	No	Destellando/ 0.5 segundos	Destellando/ 0.5 segundos	Destellando/ 0.5 segundos	Destellando/ 0.5 segundos
	Modo en Línea del UPS (Normal)	Sin Bips	Sin Bips	APAGADO	APAGADO	APAGADO	ENCENDIDO
	Modo de Respaldo por Batería del UPS	Bip/ 2 Segundos	Sí	APAGADO	APAGADO	ENCENDIDO	APAGADO
	Modo de Prueba de la Batería del UPS	Sin Bips	Sin Bips	APAGADO	APAGADO	ENCENDIDO	APAGADO
	Modo ECO del UPS	Sin Bips	Sin Bips	APAGADO	ENCENDIDO	APAGADO	APAGADO
	Modo en Espera del UPS	Sin Bips	Sin Bips	APAGADO	APAGADO	APAGADO	APAGADO
	Modo de Derivación Estática del UPS	Sin Bips	Sin Bips	APAGADO	ENCENDIDO	APAGADO	APAGADO
	Modo en Derivación para Mantenimiento del UPS	Sin Bips	Sin Bips	APAGADO	ENCENDIDO	APAGADO	APAGADO
	Modo de Convertidor de Frecuencia del UPS	Sin Bips	Sin Bips	APAGADO	APAGADO	APAGADO	ENCENDIDO
	Sobrecarga (Modo en Derivación o Modo de Respaldo por Batería)	Bip/ 1 Segundo	Sí	APAGADO	ENCENDIDO	ENCENDIDO	APAGADO

## 3. Instalación y Cableado

### 3.7 Notas para Instalación

- Coloque el gabinete de baterías en un entorno limpio y estable. Evite vibraciones, polvo, humedad, gases inflamables, líquidos y corrosivos. Si el UPS operará en un ambiente polvoriento, pueden ser necesarios filtros de aire adicionales. Para obtener más información sobre filtros de aire para el UPS, póngase en contacto con [tripplite.com/support](http://tripplite.com/support).
- La temperatura ambiental alrededor del UPS debe mantenerse en el rango de 0 °C a 40 °C [32 °F a 104 °F]. Si la temperatura excede este rango, la capacidad de carga especificada debe reducirse en 12% para 5 °C [9 °F]. Para ayudar a evitar altas temperaturas en la sala donde esté instalado el UPS, se recomiendan ventiladores extractores y/o sistemas de enfriamiento. No opere el UPS en un ambiente de más de 50 °C [122 °F].
- Si el UPS es instalado o desinstalado a bajas temperaturas, puede ocurrir condensación de humedad. No instale el UPS a menos que todas las partes internas y externas estén completamente secas. De lo contrario, existe el peligro de una descarga eléctrica.
- Las baterías deben instalarse en un ambiente en donde la temperatura esté dentro de las especificaciones requeridas. La temperatura es un factor clave para determinar la vida y capacidad de la batería. La temperatura de la batería debe mantenerse entre 20 °C y 25 °C [59 °F y 77 °F]. Mantenga las baterías alejadas de fuentes de calor, áreas de ventilación del aire principal, etc.



#### ¡PRECAUCIÓN!

**Los datos típicos de rendimiento de la batería reflejan una temperatura de operación entre 20 °C y 25 °C [59 °F y 77 °F]. Operar el UPS por encima de este rango reducirá la vida de la batería, mientras que operar el UPS por debajo de este rango reducirá la capacidad de la batería.**

- Si el UPS no se instalará de inmediato, debe almacenarse en un cuarto sin calor o humedad excesivos.



#### ¡PRECAUCIÓN!

**Una batería sin usar debe recargarse cada 6 meses. Conecte temporalmente el UPS a una alimentación adecuada de CA y actívelo por el tiempo necesario para cargar completamente las baterías.**

- La altitud más alta que el UPS puede trabajar normalmente con carga completa es 1000 metros. La capacidad de carga debe reducirse cuando este UPS esté instalado en su sitio cuya altitud sea superior a 1000 metros, mostrada como la siguiente tabla:

(el coeficiente de carga equivale a la carga máxima en un lugar de alta altitud dividido por la potencia nominal del UPS)

Altitud	1,000 m (3,281 pies)	1,500 m (4,921 pies)	2,000 m (6,562 pies)	2,500 m (8,202 pies)	3,000 m (9,843 pies)	3,500 m (11,483 pies)	4,000 m (13,124 pies)	4,500 m (14,764 pies)	5,000 m (16,404 pies)
Coeficiente de Carga	100%	95%	90%	85%	80%	75%	70%	65%	60%

- El UPS debe mantenerse en un área con buena ventilación. Los orificios de ventilación en el frente y la parte posterior del UPS no deben bloquearse.



## 3. Instalación y Cableado

### 3.8 Dispositivos Protectores Externos

Por razones de seguridad, es necesario instalar un breaker externo en la entrada de CA de la red pública y en la batería.

#### 3.8.1 Batería Externa

El UPS y sus baterías conectadas están protegidos contra los efectos de sobrecorriente a través de un breaker termomagnético compatible con CD ubicado cerca de la batería.

#### 3.8.2 Salida del UPS

Cualquier tablero de distribución externo usado para distribución de carga deberá estar equipado con dispositivos protectores para evitar el riesgo de sobrecarga del UPS.

#### 3.8.3 Protección contra Sobrecorriente



**¡PRECAUCIÓN!**

- El cableado debe ser realizado por personal profesional calificado.
- Antes de cablear o de realizar cualquier conexión eléctrica, asegúrese de que la energía suministrada a la entrada y salida del UPS esté totalmente cortada y estén desconectados los conectores de la batería interna.
- Cuando se conecte el UPS a la energía de CA de la red pública, deben instalarse dispositivos protectores y conectores de 3 polos. Los dispositivos protectores y los conectores de 3 polos deben usar componentes aprobados que cumplan con certificaciones de seguridad. Los breakers termomagnéticos deben ser IEC 60947-2 con curva de disparo C (normal). Refiérase al contenido siguiente para ver los dispositivos de protección requeridos:

**UPS de 10kVA: se requiere un breaker de 50A.**

**UPS de 15kVA: se requiere un breaker de 63A.**

**UPS de 20kVA: se requiere un breaker de entrada de 80A.**

- Al conectar las cargas críticas al UPS, debe instalarse entre ellos un breaker certificado listado. Refiérase al contenido siguiente para ver los breakers requeridos:

**UPS de 10kVA: se requiere un breaker de entrada de 50A.**

**UPS de 15kVA: se requiere un breaker de entrada de 63A.**

**UPS de 20kVA: se requiere un breaker de entrada de 80A.**

- Compruebe que el tamaño, diámetro, fase y polaridad de cada cable que conecta al UPS sea correcto. Para ver las especificaciones de los cables de entrada y salida, refiérase a la tabla en la sección 3.9.2 Conectores de Cable de la Batería Interna del UPS.

### 3.9 Procedimiento de Instalación de la Batería Interna para Modelos de UPS sin Baterías Internas (Modelos NIB)



**¡PELIGRO! ¡RIESGO LETAL POR ALTO VOLTAJE!**

Incluso si no está conectado al sistema UPS, hay un alto voltaje potencialmente fatal dentro de la batería. Las conexiones de la batería deben ser realizadas solamente por personal de servicio calificado, siguiendo todas las precauciones listadas en el manual de servicio, siguiendo los códigos eléctricos locales.

## 3. Instalación y Cableado

### 3.9.1 Compatibilidad del UPS y Gabinete de Baterías

	Gabinetes con Baterías Internas	SP240V09 / 09K	BP240V40	BP240V40L	BP240V65	BP240V65L	BP240V100	BP240V100L
	Gabinetes sin Baterías Internas	SP240V09-NIB	BP240V40-NIB	BP240V40L-NIB	BP240V65-NIB	BP240V65L-NIB	BP240V100-NIB	BP240V100L-NIB
<b>UPS de 10kVA a 20kVA con Baterías Internas</b>	<ul style="list-style-type: none"> <li>S3M10K1B,</li> <li>S3M10K2B,</li> <li>S3M10K3B</li> <li>S3M15K2B,</li> <li>S3M15K3B</li> <li>S3M20K3B</li> </ul>	Sí	No	No	No	No	No	No
<b>UPS de 10kVA a 20kVA SIN Baterías Internas</b>	<ul style="list-style-type: none"> <li>S3M10K-NIB</li> <li>S3M15K-NIB</li> <li>S3M20K-NIB</li> </ul>	Sí	Sí	Sí	Sí	Sí	Sí	No

### 3.9.2 Conectores para Cable de la Batería Interna del UPS

**Nota:** Los modelos S3M10K-NIB, S3M15K-NIB y S3M20K-NIB incluyen 54 cables para puentes / cortos de batería que se usarán en la instalación de baterías internas.

	Color del Cable	Calibre del Cable	Longitud del Cable	Cantidad	Cables Preinstalados en Fábrica
<b>S3M10K-NIB</b>	Negro	1015 10 AWG	101 mm	54	No
	Negro	1015 10 AWG	2200 mm	1	Sí
	Rojo	1015 10 AWG	1730 mm	1	Sí
	Azul	1015 10 AWG	2600 mm	1	Sí
	Azul	1015 10 AWG	1330 mm	1	Sí
	Azul	1015 10 AWG	2400 mm	1	Sí
	Rojo	1015 10 AWG	680 mm	1	Sí
	Negro	1015 10 AWG	1350 mm	1	Sí
<b>S3M15K-NIB</b>	Negro	1015 10 AWG	101 mm	54	No
	Negro	1015 10 AWG	2200 mm	1	Sí
	Rojo	1015 10 AWG	1730 mm	1	Sí
	Azul	1015 10 AWG	2600 mm	1	Sí
	Azul	1015 10 AWG	1330 mm	1	Sí
	Azul	1015 10 AWG	2400 mm	1	Sí
	Rojo	1015 10 AWG	680 mm	1	Sí
	Negro	1015 10 AWG	1350 mm	1	Sí
<b>S3M20K-NIB</b>	Negro	1015 10 AWG	101 mm	54	No
	Negro	1015 10 AWG	2200 mm	1	Sí
	Rojo	1015 10 AWG	1730 mm	1	Sí
	Azul	1015 10 AWG	2600 mm	1	Sí
	Azul	1015 10 AWG	1730 mm	1	Sí
	Azul	1015 10 AWG	2400 mm	1	Sí
	Rojo	1015 10 AWG	680 mm	1	Sí
	Negro	1015 10 AWG	1350 mm	1	Sí

## 3. Instalación y Cableado

### 3.9.3 Instalación de la Batería

1. Retire los tornillos de las placas superior, derecha e izquierda (Figura 3-6).
2. Retire las placas superior, derecha e izquierda (Figura 3-7).

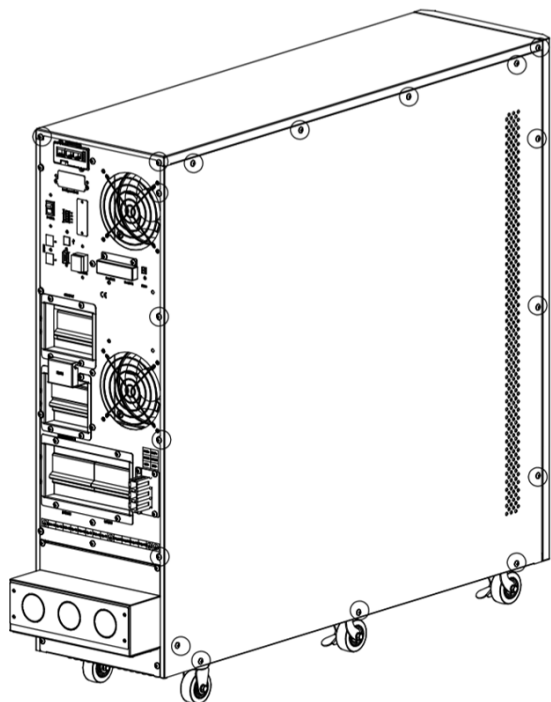


Figura 3-6: Retire los tornillos de las placas superior, derecha e izquierda.

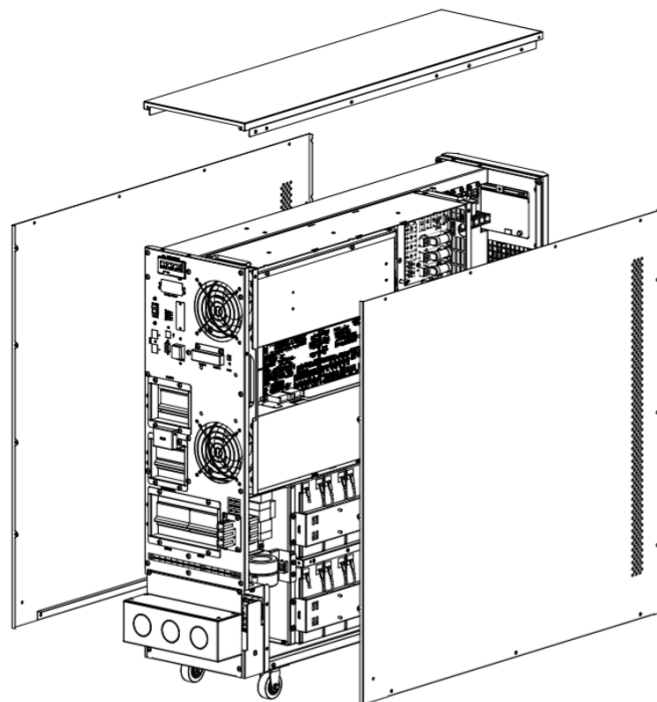


Figura 3-7: Retire las placas superior, derecha e izquierda.

3. Retire las barras del soporte de la batería en los lados derecho e izquierdo del UPS (Figura 3-8).

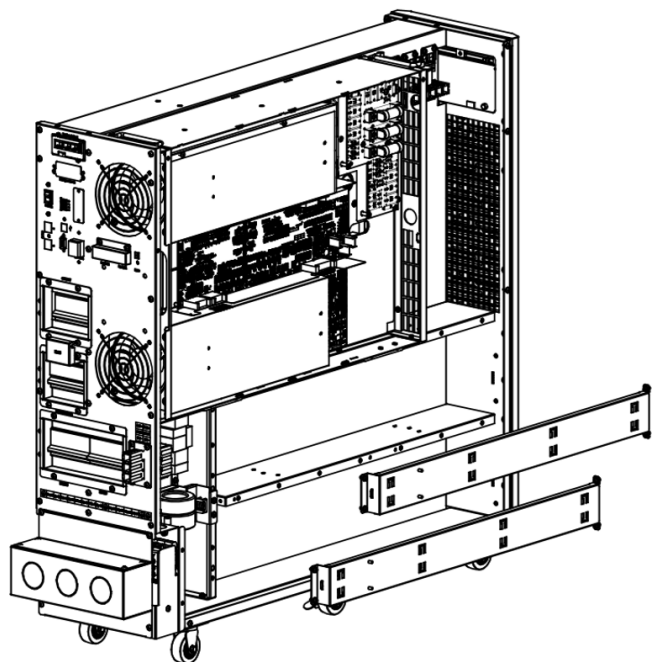
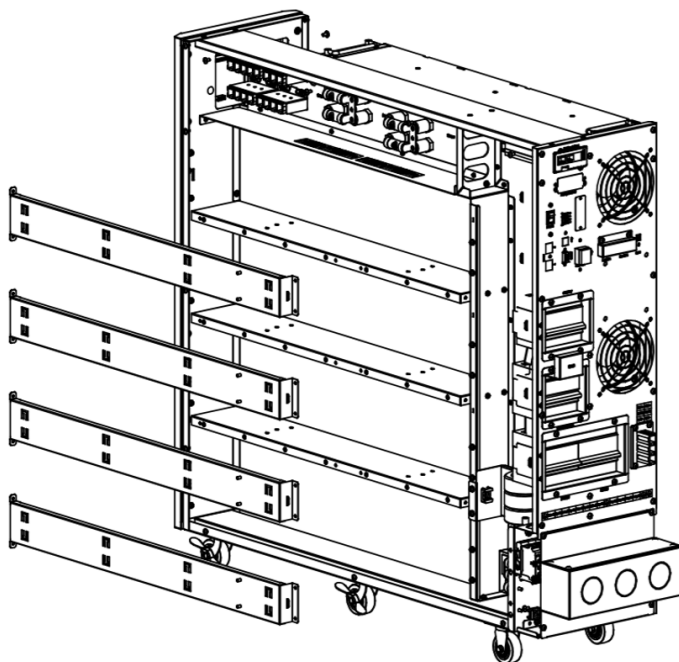


Figura 3-8: Retire las barras del soporte de la batería.



### 3. Instalación y Cableado

4. Trabajando desde la parte inferior hacia arriba, instale 10 baterías en los entrepaños primero y segundo en el lado derecho de la unidad (Figura 3-9). Mantenga siempre el lado de la terminal de todas las baterías viendo hacia arriba.

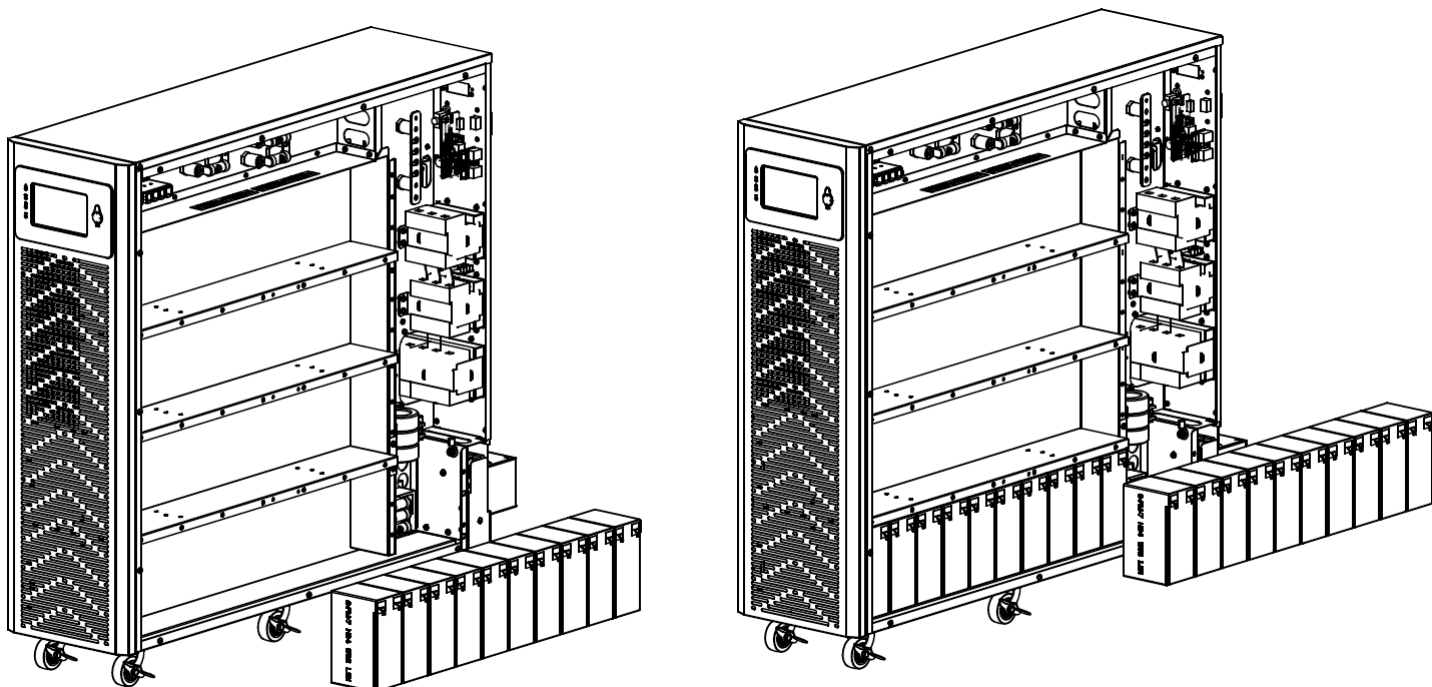


Figura 3-9: Instale las baterías en los entrepaños primero y segundo en el lado derecho.

5. Instale 10 baterías en los entrepaños tercero y cuarto en el lado derecho (Figura 3-10). Mantenga siempre el lado de la terminal de todas las baterías viendo hacia arriba.

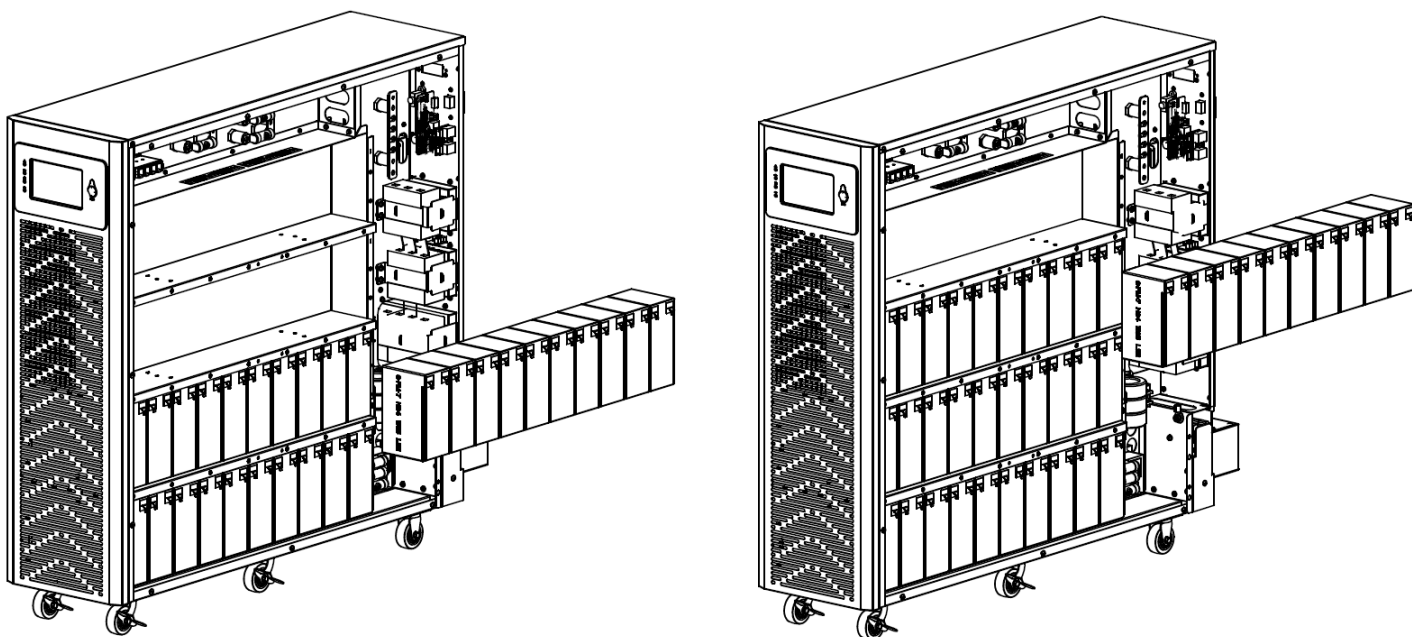


Figura 3-10: Instale las baterías en los entrepaños tercero y cuarto en el lado derecho.

### 3. Instalación y Cableado

- Trabajando desde la parte inferior hacia arriba, instale 10 baterías en los entrepaños primero y segundo en el lado izquierdo de la unidad. Mantenga siempre el lado de la terminal de todas las baterías viendo hacia arriba.

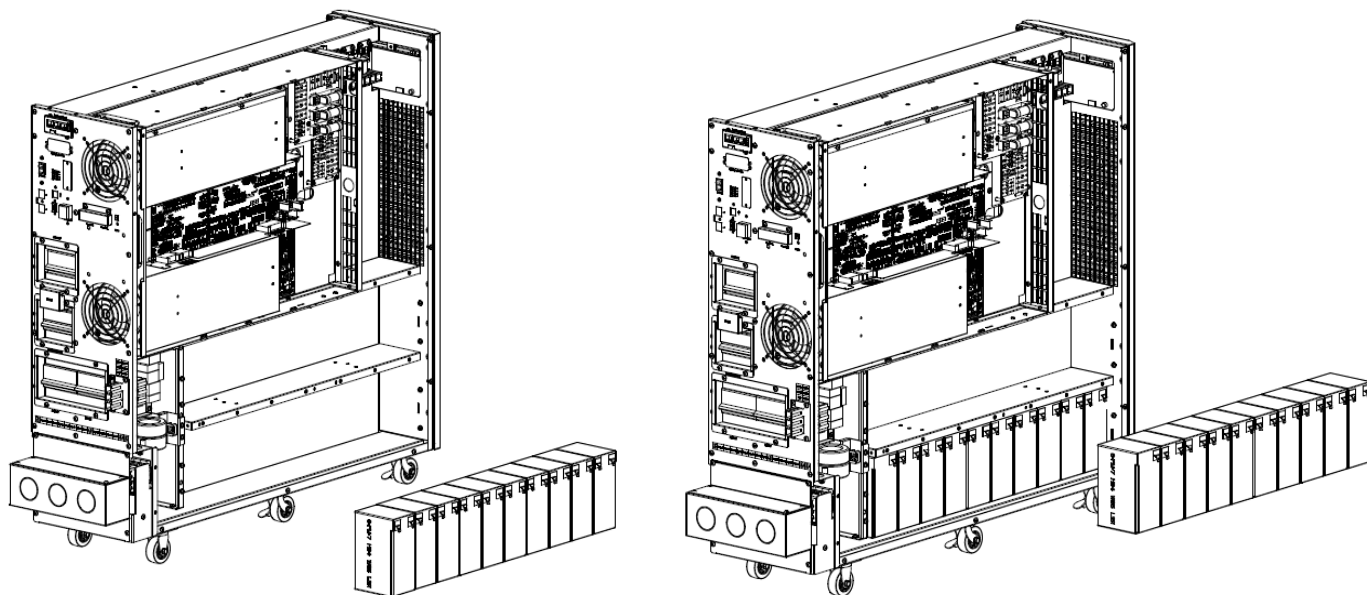


Figura 3-11: Instale las baterías en los entrepaños primero y segundo en el lado izquierdo.

- Reinstale las seis barras del soporte de la batería retiradas en el paso 3 (Figura 3-12).

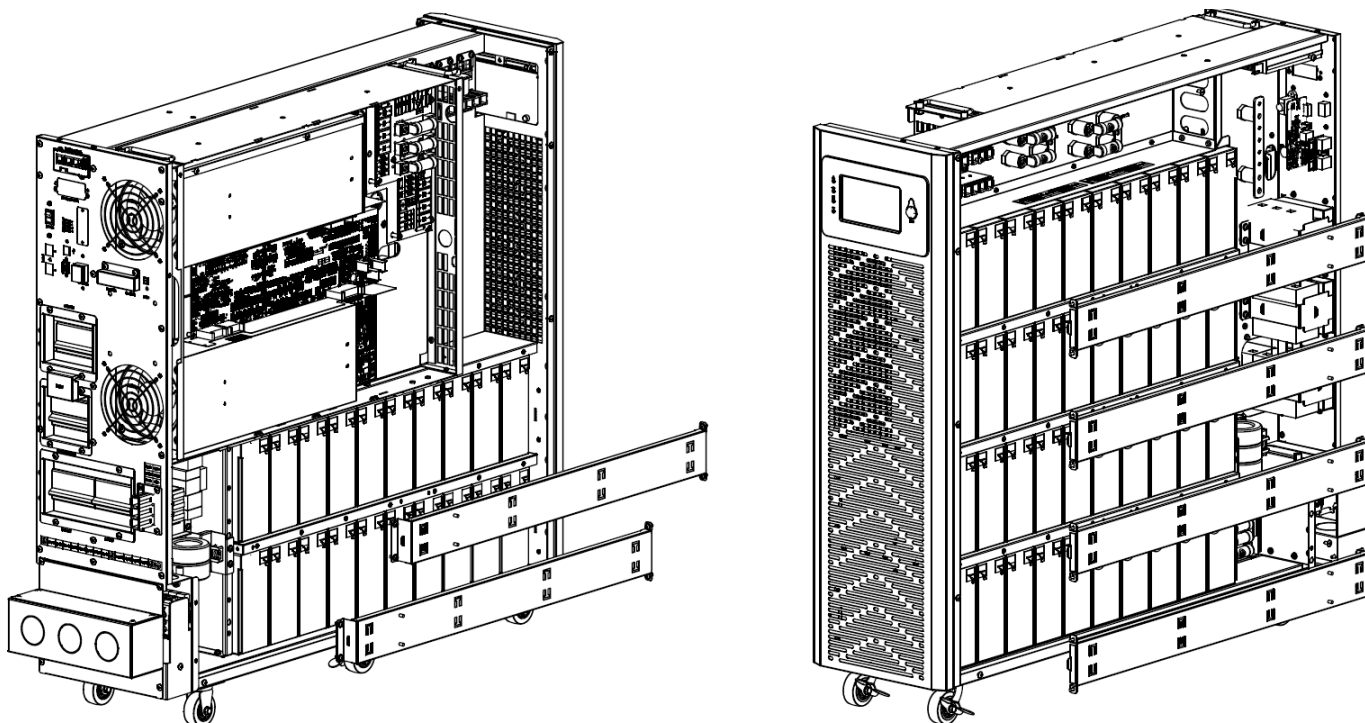


Figura 3-12: Reinstale las barras de soporte de la batería

### 3. Instalación y Cableado

8. Conecte los cables de puenteo de la batería en ambos lados del UPS (Figura 3-13).

- Lado derecho del UPS: Conecte las baterías con 36 cables puente de batería
- Lado izquierdo del UPS: Conecte las baterías con 18 cables puente de batería

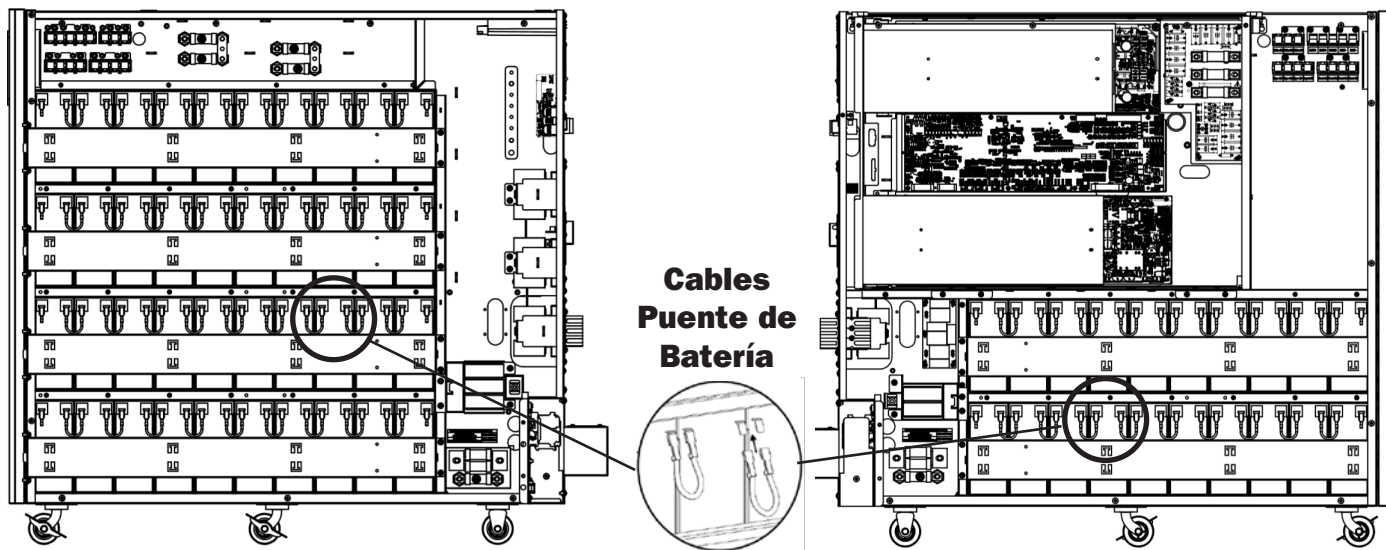


Figura 3-13: Conecte los Cables de Puenteo de la Batería

9. Conecte los tres módulos de baterías al fusible positivo (Figura 3-14).

**Notas:**

- Para los pasos 9 al 12, el apriete para el tornillo M6 es de 5 N • m para los fusibles y la barra del bus.
- Para los pasos 9 a 12, los números de cable hacen referencia al diagrama de cableado en la sección 3.10 para la instalación de 60 baterías.

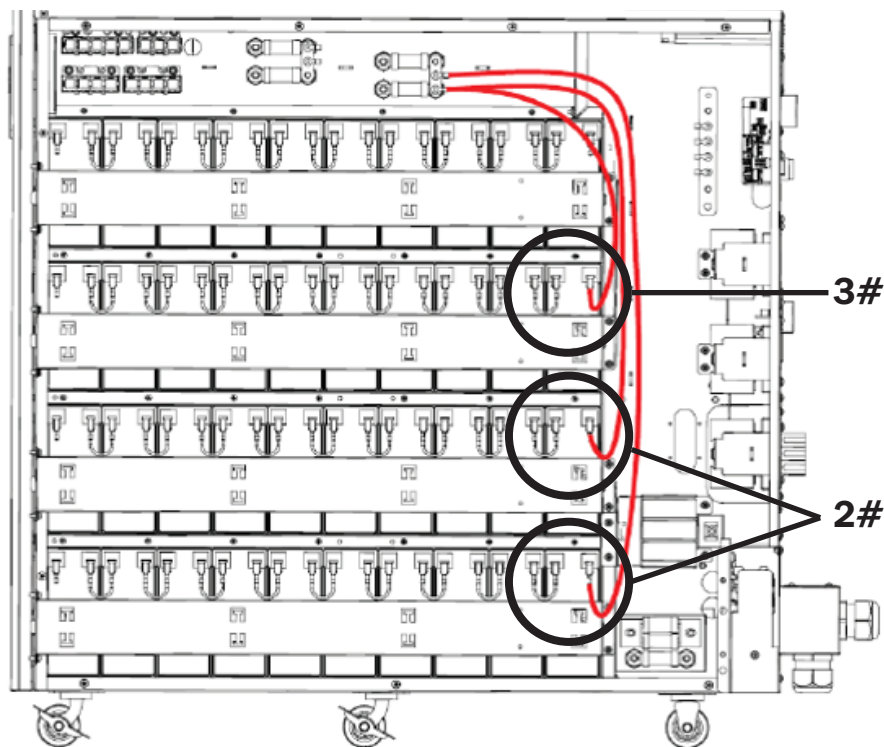


Figura 3-14: Conecte los Módulos de Baterías al Fusible Positivo

### 3. Instalación y Cableado

10. Conecte los cuatro módulos de baterías a la placa de cobre (Polo N) (Figura 3-15).

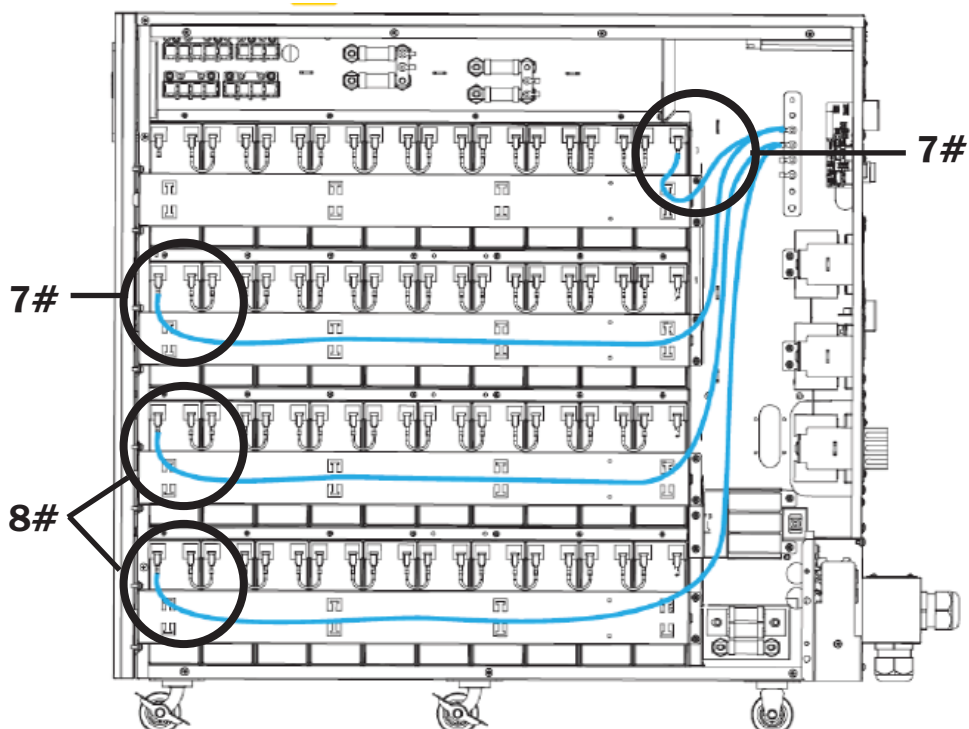


Figura 3-15: Conecte los Módulos de Baterías Derechos a la Placa de Cobre (Polo N).

11. Conecte los dos módulos de baterías izquierdos a la placa de cobre (Polo N) (Figura 3-16).

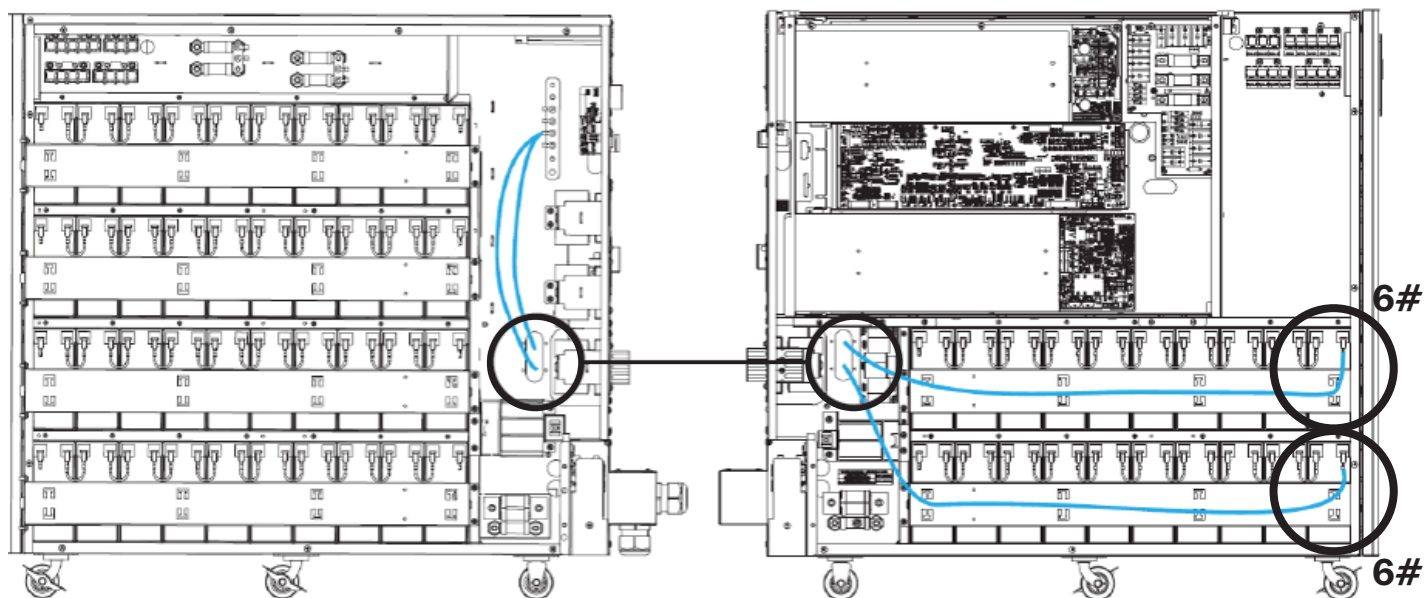


Figura 3-16: Conecte los Módulos de Baterías Izquierdos a la Placa de Cobre (Polo N).

### 3. Instalación y Cableado

12. Conecte las terminales negativas de los tres módulos de baterías al fusible negativo (Figura 3-17).

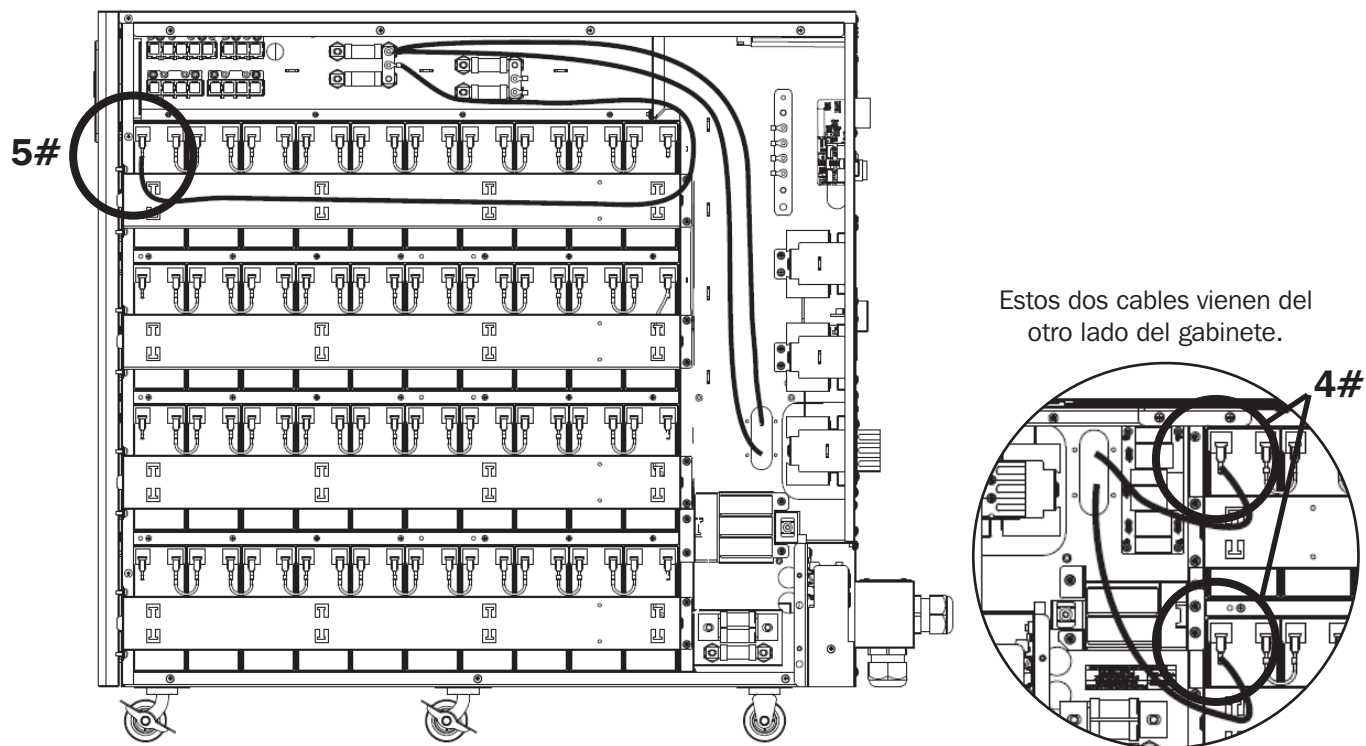


Figura 3-17: Conecte los Módulos de Baterías al Fusible Negativo.



# 3. Instalación y Cableado

## 3.10 Conexión de la Batería

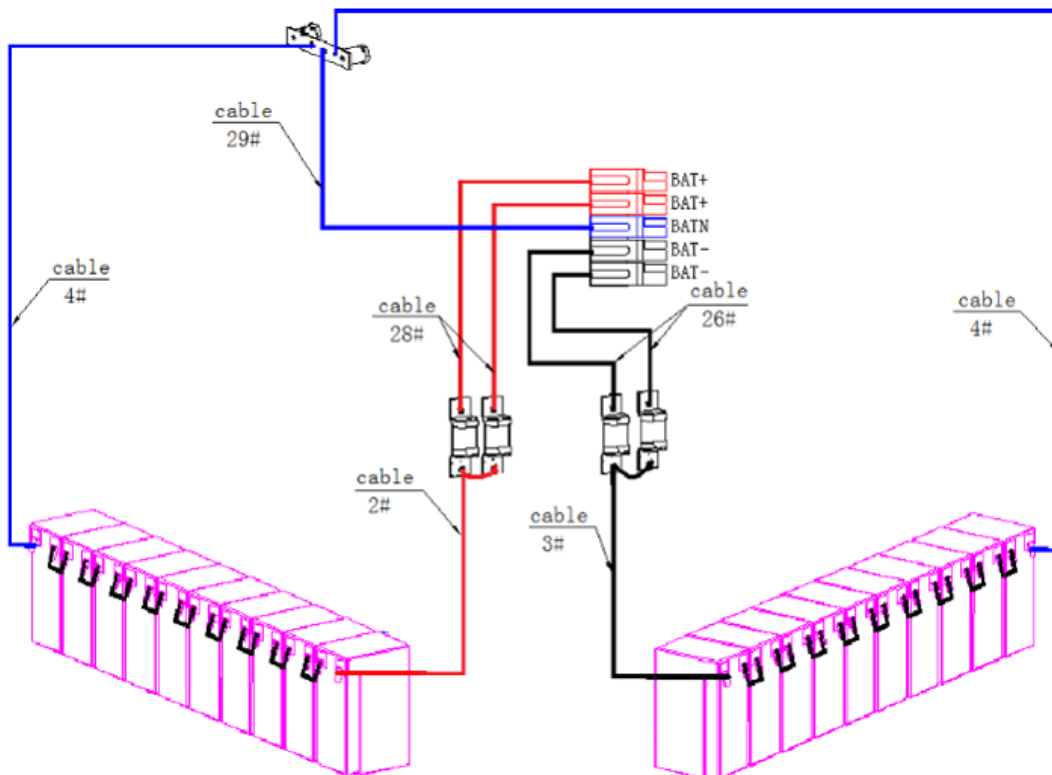


Diagrama de Cableado para la Instalación de 20 Baterías

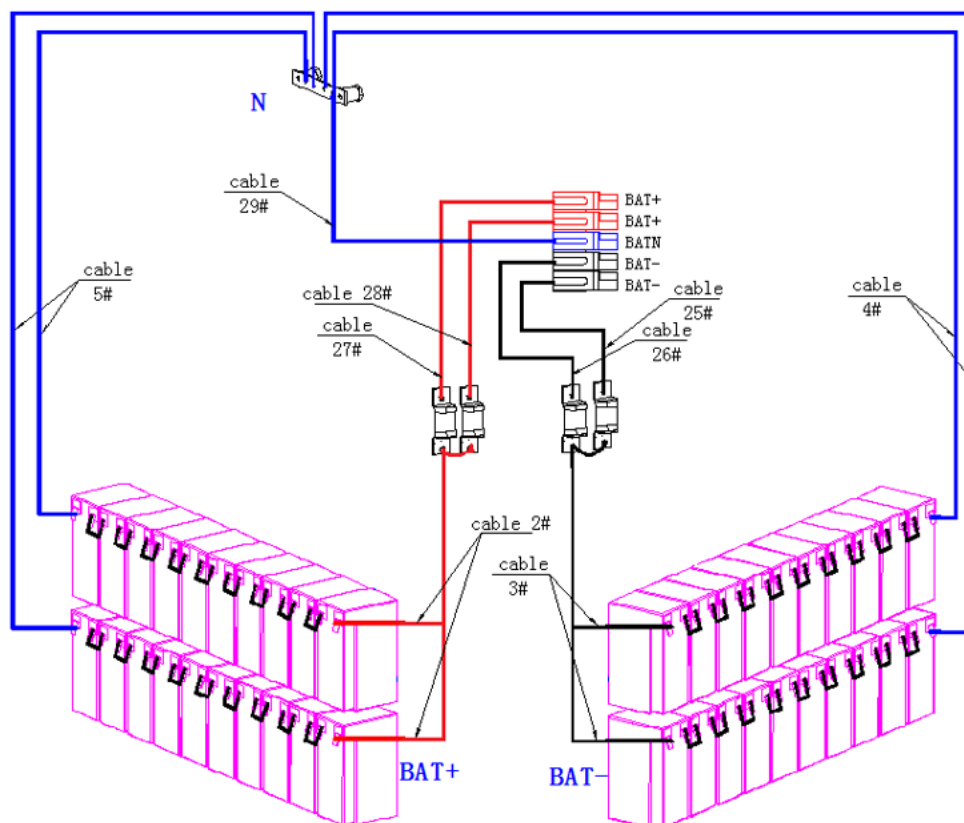


Diagrama de Cableado para la Instalación de 40 Baterías

### 3. Instalación y Cableado

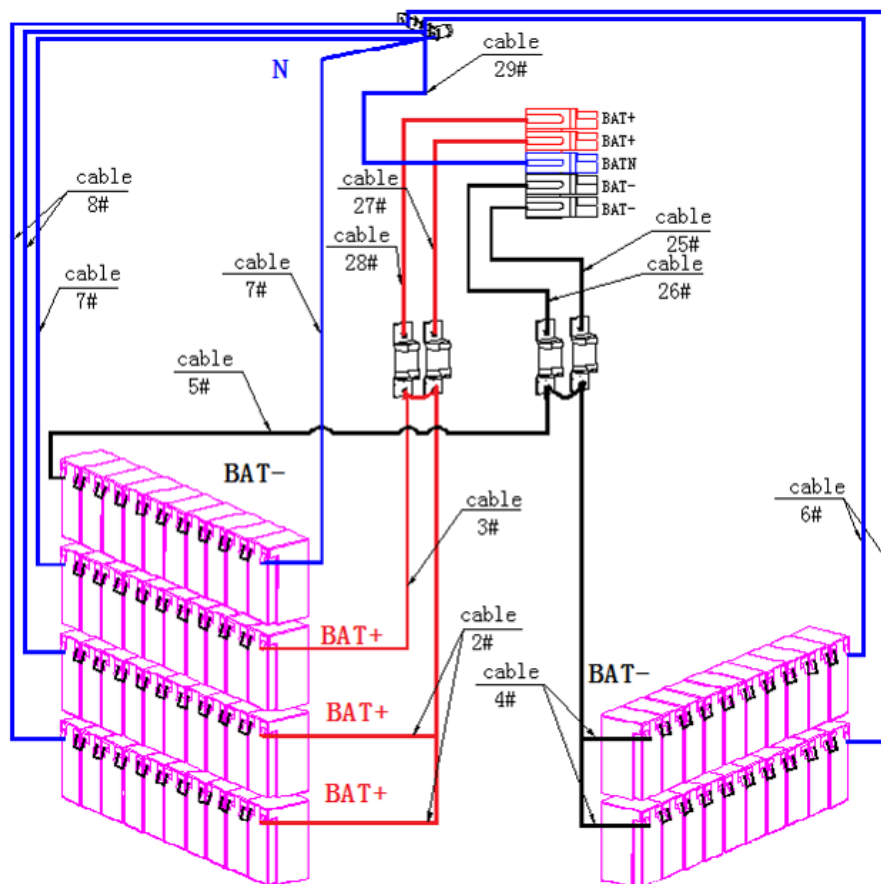


Diagrama de Cableado para la Instalación de 60 Baterías

**Notas:**

El BAT+ de los postes de conexión del UPS está conectado al ánodo de la batería positiva. El BAT-N está conectado al cátodo de la batería positiva y el ánodo de la batería negativa. El BAT- está conectado al cátodo de la batería negativa.

La configuración de fábrica de la unidad estándar es:

Cantidad de Baterías – 20, 40 o 60 Piezas

Capacidad de Batería – Máximo 12V 9AH

## 3. Instalación y Cableado

### 3.11 Instalación de un Solo UPS

La instalación y cableado deben ejecutarse de acuerdo con los códigos o reglamentos eléctricos locales y deben ser realizados solamente por personal calificado.

1. Asegúrese de que el cableado y los breakers de la alimentación principal en el edificio puedan soportar la capacidad especificada del UPS para evitar descargas eléctricas o incendios.

**Nota:** Usar un tomacorrientes de pared como fuente de alimentación de entrada para el UPS puede originar que la toma se queme o se destruya.

2. Apague el switch de la alimentación principal del edificio antes de la instalación.
3. Apague todos los dispositivos conectados antes de conectarlos al UPS.
4. Prepare los cables de alimentación de acuerdo con la Tabla 3.2. Refiérase a la Tabla 3.3 para ver el torque recomendado del tornillo instalado. Refiérase a la Tabla 3.4 para consultar los tamaños de breakers de entrada del UPS y la Tabla 3.5 para los tamaños del gabinete de baterías y del breaker.



**ADVERTENCIA:** Antes de conectar cualquier cable, asegúrese de que la entrada de CA y la energía de la batería estén completamente apagadas.

Asegúrese de estar atento a la ubicación y operación de los aisladores externos que estén conectados al suministro de entrada y derivación del UPS del panel de distribución de la energía de la red pública. Compruebe para ver si estos suministros están aislados eléctricamente y publique cualquier señal de advertencia necesaria para evitar cualquier operación inadvertida.

Tabla 3.2: Cables de Alimentación

Modelo de UPS	Tamaños Recomendados de Cable - Cableado THHW a 75 °C [167 °F]				
	Entrada de CA	Salida de CA	Entrada de CD	Conexión a Tierra	Neutro
<b>10 kVA</b>	8 AWG Máx. 2 AWG (35 mm <sup>2</sup> )	8 AWG Máx. 2 AWG (35 mm <sup>2</sup> )	6 AWG Máx. 6 AWG	8 AWG Máx. 2 AWG (35 mm <sup>2</sup> )	8 AWG Máx. 2 AWG (35 mm <sup>2</sup> )
<b>15 kVA</b>	AWG 6 Máx. 2 AWG (35 mm <sup>2</sup> )	AWG 6 Máx. 2 AWG (35 mm <sup>2</sup> )	2 x 6 AWG Máx. 6 AWG	AWG 6 Máx. 2 AWG (35 mm <sup>2</sup> )	AWG 6 Máx. 2 AWG (35 mm <sup>2</sup> )
<b>20 kVA</b>	4 AWG Máx. 2 AWG (35 mm <sup>2</sup> )	4 AWG Máx. 2 AWG (35 mm <sup>2</sup> )	2 x 6 AWG Máx. 6 AWG	4 AWG Máx. 2 AWG (35 mm <sup>2</sup> )	4 AWG Máx. 2 AWG (35 mm <sup>2</sup> )

Tabla 3.3: Torque Recomendado del Tornillo Instalado

Tipo de Tornillo	Posición			
	Entrada de CA	Salida de CA	Conexión a Tierra	Neutro
	M6	M6	M6	M6
<b>Torque Recomendado (Nm)</b>	6.5	6.5	6.5	6.5

Tabla 3.4: Breakers de Entrada del UPS

Modelo de UPS	Capacidad	Breaker Termomagnético de Entrada del UPS
S3M10K1B	10 kW	50A, 3 Polos, Curva C
S3M10K2B		
S3M10K3B		
S3M10K-NIB		
S3M15K2B	15kW	63A, 3 Polos, Curva C
S3M15K3B		
S3M15K-NIB		
S3M20K3B	20kW	80A, 3 polos, Curva C
S3M20K-NIB		

## 3. Instalación y Cableado

Tabla 3.5: Baterías y Breakers del Gabinete de Baterías. Todos los gabinetes de baterías están probados por ISTA-3B.

Modelo del Gabinete de Baterías	Baterías Incluidas	Cantidad de Baterías y Capacidad en Ah	Breakers	Fusibles
BP240V09 / 09K	Sí	80 x 9Ah	1 x 125A, 3 Polos	2 x 160A
BP240V09-NIB	No	Diseñado para 80 x 9Ah	1 x 125A, 3 Polos	2 x 160A
BP240V40	Sí	20 x 40Ah	1 x 250A, 3 Polos	4 x 250A
BP240V40L	Sí	40 x 40Ah	1 x 250A, 3 Polos	4 x 250A
BP240V40-NIB	No	Diseñado para 20 (CSB Gp12400i) x 40AH	1 x 250A, 3 Polos	4 x 250A
BP240V40L-NIB	No	Diseñado para 40 (CSB Gp12400i) x 40Ah	1 x 250A, 3 Polos	4 x 250A

### 3.12 Conexión para un Cable de Alimentación

Una vez que el equipo haya sido colocado y asegurado, conecte los cables de alimentación como se describe en el procedimiento a continuación.

Verifique que el UPS esté totalmente aislado de su fuente de alimentación externa y que todos los aisladores de energía del UPS estén abiertos. Asegúrese de que estén aislados eléctricamente y publique cualquier señal de advertencia necesaria para evitar su operación independiente.

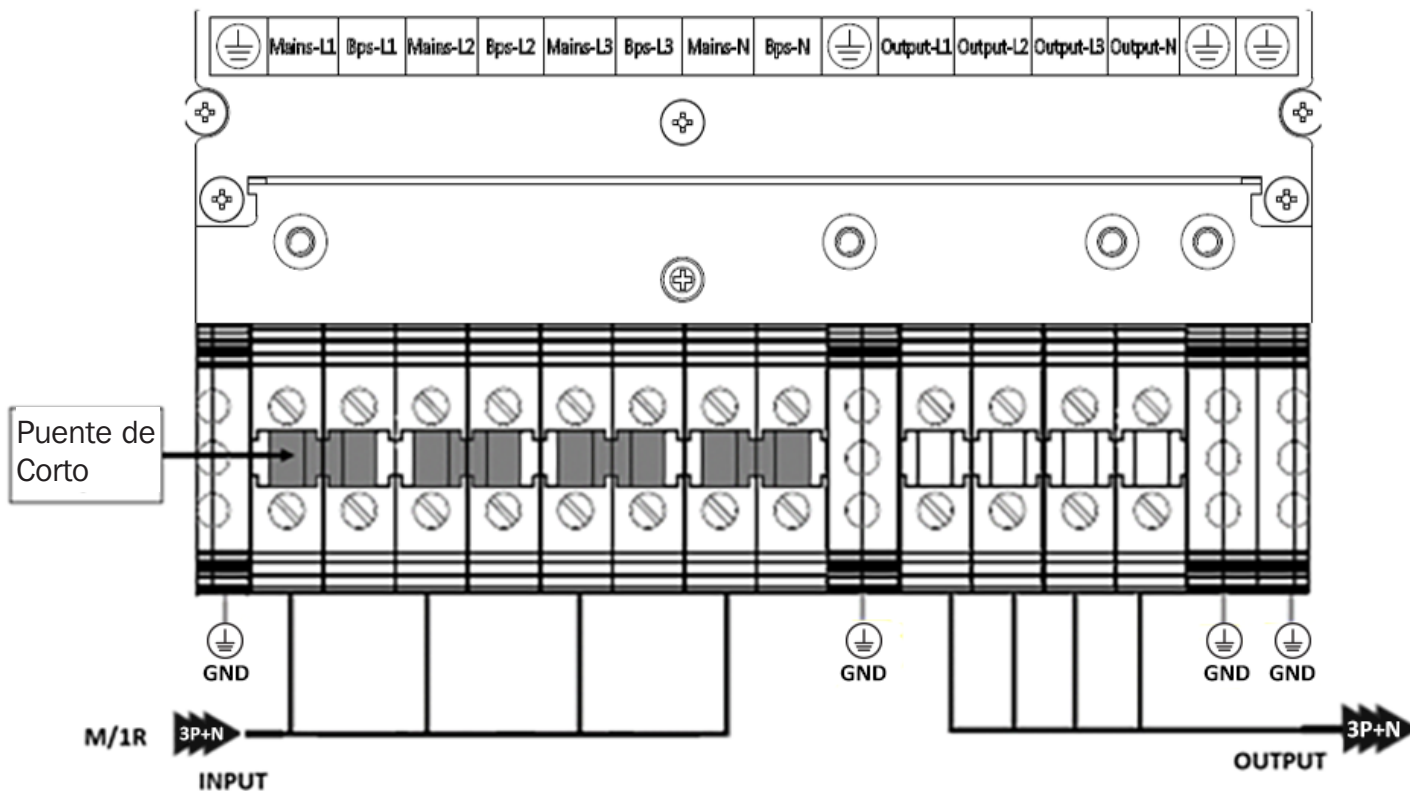
Retire la cubierta del bloque de terminales para acceder a las terminales de conexión de entrada, salida y tierra del sistema UPS. Luego conecte los cables según el diagrama del bloque de terminales que se muestra a continuación. Conecte primero los cables de puesta a tierra al realizar otras conexiones.

#### Notas:

- Asegúrese de que los cables estén conectados firmemente a las terminales.
- Instale el breaker de salida entre la terminal de salida y la carga. El breaker debe estar especificado con la función protectora contra corriente de fuga.
- El cableado debe estar protegido por un conducto flexible y conducido a través de los accesos apropiados en la cubierta del bloque de terminales.
- Asegúrese de agregar también una conexión equipotencial del cable entre el UPS y los gabinetes de batería externos.

## 3. Instalación y Cableado

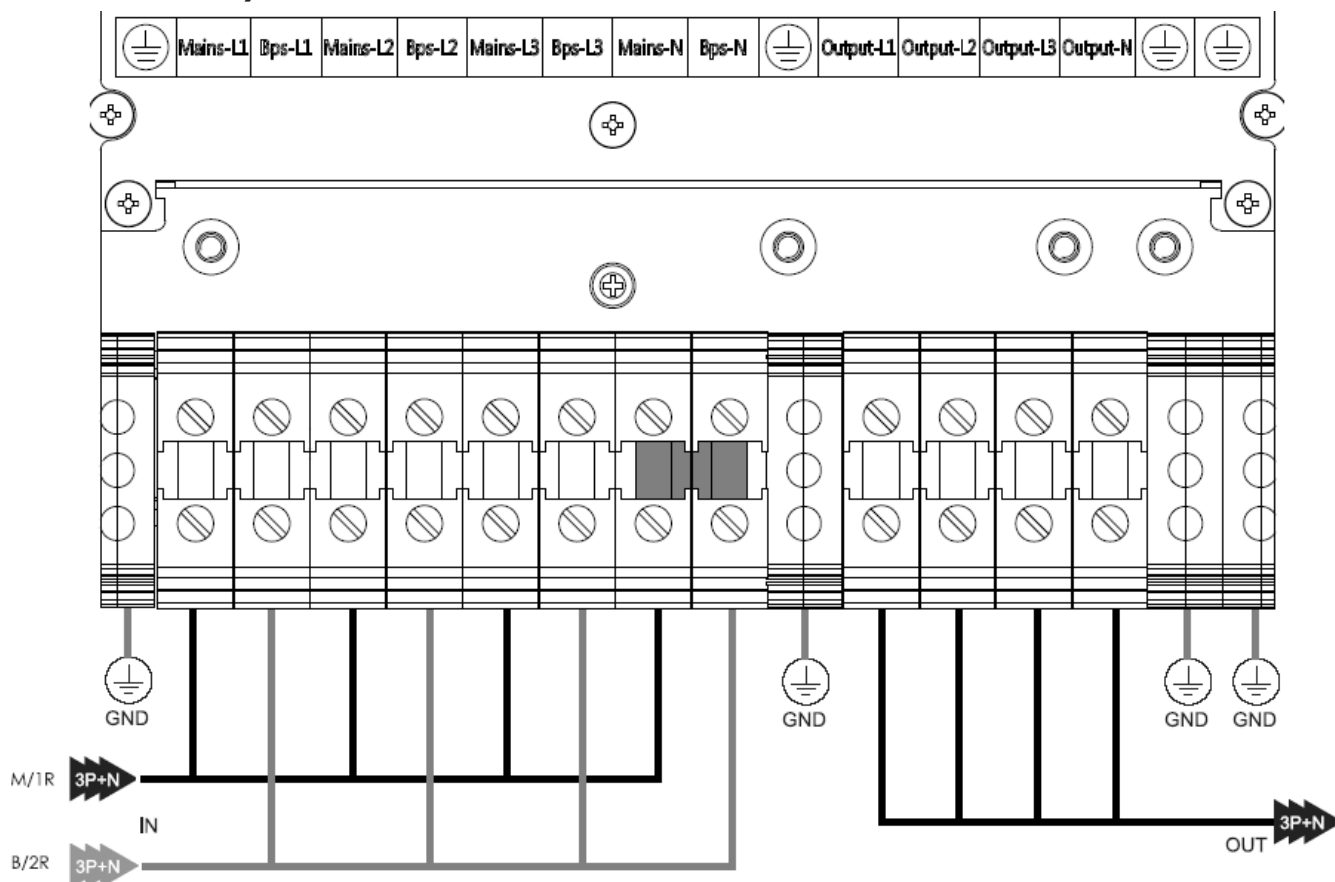
### 3.12.1 Conexión de Entrada Única (Alimentación de la Red Pública)



CONEXIÓN DE ENTRADA PRIMARIA (Energía de la Red Pública) M/1R	CONEXIÓN de SALIDA y BATERÍA
	<b>Output-L1:</b> Salida Fase L1
<b>Input -L1:</b> Entrada Primaria Fase L1	<b>Output-L2:</b> Salida Fase L2
<b>Input -L2:</b> Entrada Primaria Fase L2	<b>Output-L3:</b> Salida Fase L3
<b>Input -L3:</b> Entrada Primaria Fase L3	<b>Output-N:</b> Salida Neutro
<b>Input-N:</b> Entrada de Neutro para entrada primaria y secundaria	<b>GND:</b> Conexión a Tierra
	<b>BAT +:</b> Terminal positiva de la cadena de baterías
	<b>BATN:</b> Terminal neutra de la cadena de baterías
	<b>BAT-:</b> Terminal negativa de la cadena de baterías

## 3. Instalación y Cableado

### 3.13 Conexiones de Entrada Dobles (Alimentación de la Red Pública y de Derivación)



CONEXIÓN DE ENTRADA PRIMARIA (Energía de la Red Pública) M/1R	CONEXIÓN de SALIDA y BATERÍA
<b>B/2R ECUNDARIO - ENTRADA DE DERIVACIÓN (Bps)</b>	<b>Output-L1:</b> Salida Fase L1
<b>Mains-L1:</b> Entrada Primaria Fase L1	<b>Output-L2:</b> Salida Fase L2
<b>Mains-L2:</b> Entrada Primaria Fase L2	<b>Output-L3:</b> Salida Fase L3
<b>Mains-L3:</b> Entrada Primaria Fase L3	<b>Output-N:</b> Salida Neutro
<b>Input-N:</b> Entrada de Neutro para entrada primaria y secundaria	<b>GND:</b> Conexión a Tierra
<b>Bps-L1:</b> Entrada Secundaria Fase L1	<b>BAT +:</b> Terminal positiva de la cadena de baterías
<b>Bps-L2:</b> Entrada Secundaria Fase L2	<b>BATN:</b> Terminal neutra de la cadena de baterías
<b>Bps-L3:</b> Entrada Secundaria Fase L3	<b>BAT-:</b> Terminal negativa de la cadena de baterías



**ADVERTENCIA:** En el caso de operación de dos entrada, asegúrese de que se haya retirado el puente corto entre cada línea de entrada. La entrada de CA y las alimentaciones en derivación de CA deben ser referenciadas al mismo punto neutro.

Elija el cable de alimentación apropiado (consulte la Tabla 3.2 anterior).

## 3. Instalación y Cableado

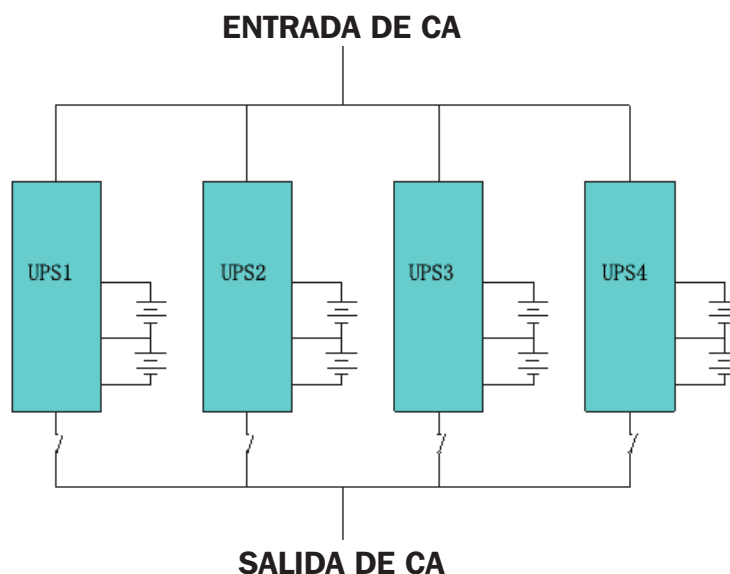
### 3.14 Instalación del UPS para Sistemas en Paralelo



**ADVERTENCIA:** La instalación y el cableado deben realizarse de acuerdo con los códigos y reglamentos locales e instalarse usando las siguientes instrucciones de un técnico de servicio eléctrico calificado solamente.

#### Instalación del Gabinete

Conecte el UPS para instalación en paralelo según el diagrama siguiente.



Asegúrese de que cada breaker de entrada del UPS esté en la posición “OFF” y que no haya salida desde ningún UPS conectado. Los grupos de baterías pueden conectarse por separado o en paralelo, lo que significa que el propio sistema proporciona respaldo por batería por separado y por batería común.



**¡ADVERTENCIA!** Asegúrese de que las líneas N, L1, L2 y L3 estén correctas y la conexión a tierra esté bien conectada.

#### 3.14.1 Instalación de Cable en Paralelo

Los cables de control blindados y con doble aislamiento disponibles deben estar interconectados en una configuración de anillo entre unidades UPS como se muestra en la Figura 3-18. La configuración del anillo garantiza una alta confiabilidad del control. Use solamente los cables en paralelo suministrados por Tripp Lite.

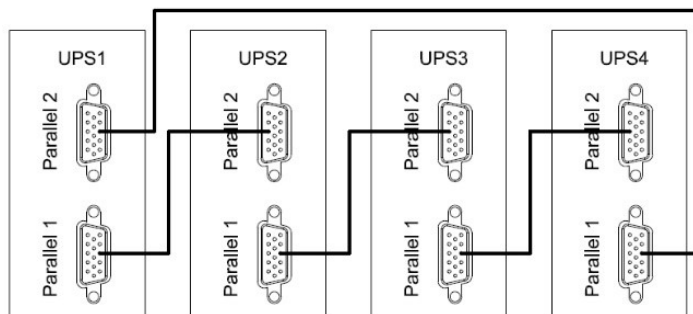


Figura 3-18: Instalación de Cable en Paralelo

## 3. Instalación y Cableado

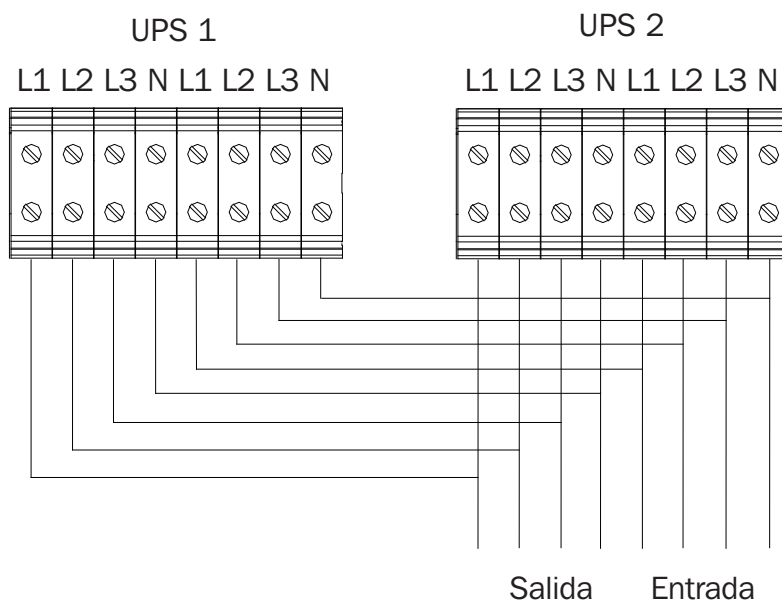
### 3.14.2 Requerimientos del Sistema en Paralelo

Un grupo de sistemas UPS conectados en paralelo para capacidad o redundancia se comporta como un sistema UPS, pero con la ventaja de una mayor confiabilidad. A fin de asegurar que todos los sistemas UPS conectados se utilicen por igual y cumplan con los códigos de cableado, cumpla estos requisitos:

1. Todos los sistemas UPS deben tener la misma especificación y estar conectados a la misma fuente de derivación.
2. Las salidas de todos los sistemas UPS deben conectarse a un bus de salida común.
3. La longitud y especificación de los cables de alimentación, incluyendo los cables de entrada en derivación y los cables de salida del UPS, deben ser las mismas. Esto facilita compartir la carga cuando opere en modo en derivación.

La configuración en paralelo soporta hasta cuatro sistemas UPS de la misma especificación de kVA. No intente enlazar más de cuatro sistemas UPS mediante una configuración en paralelo.

1. Instale y cablee el sistema UPS como se muestra en la Figura 3-19.
2. Al instalar el sistema en paralelo, la longitud de los cables de entrada (L1, L2, L3, N) en un UPS debe ser igual a los cables de entrada del otro UPS. Asimismo, la longitud de los cables de salida (L1, L2, L3, N) también debe ser igual. Caso contrario, se producirá una corriente desbalanceada en la carga de salida.
3. Conecte el cableado de alimentación de cada UPS a un breaker de entrada.
4. Conecte todo el cableado del breaker de entrada a un breaker de alimentación principal.
5. Conecte el cableado de salida de cada UPS a un breaker de salida.
6. Conecte todos los breakers de salida a un breaker de la salida principal. Este breaker de la salida principal se conectará directamente a las cargas.
7. Si se usa un módulo de baterías externas, cada UPS debe conectarse a un módulo de baterías independiente o un módulo de baterías común.



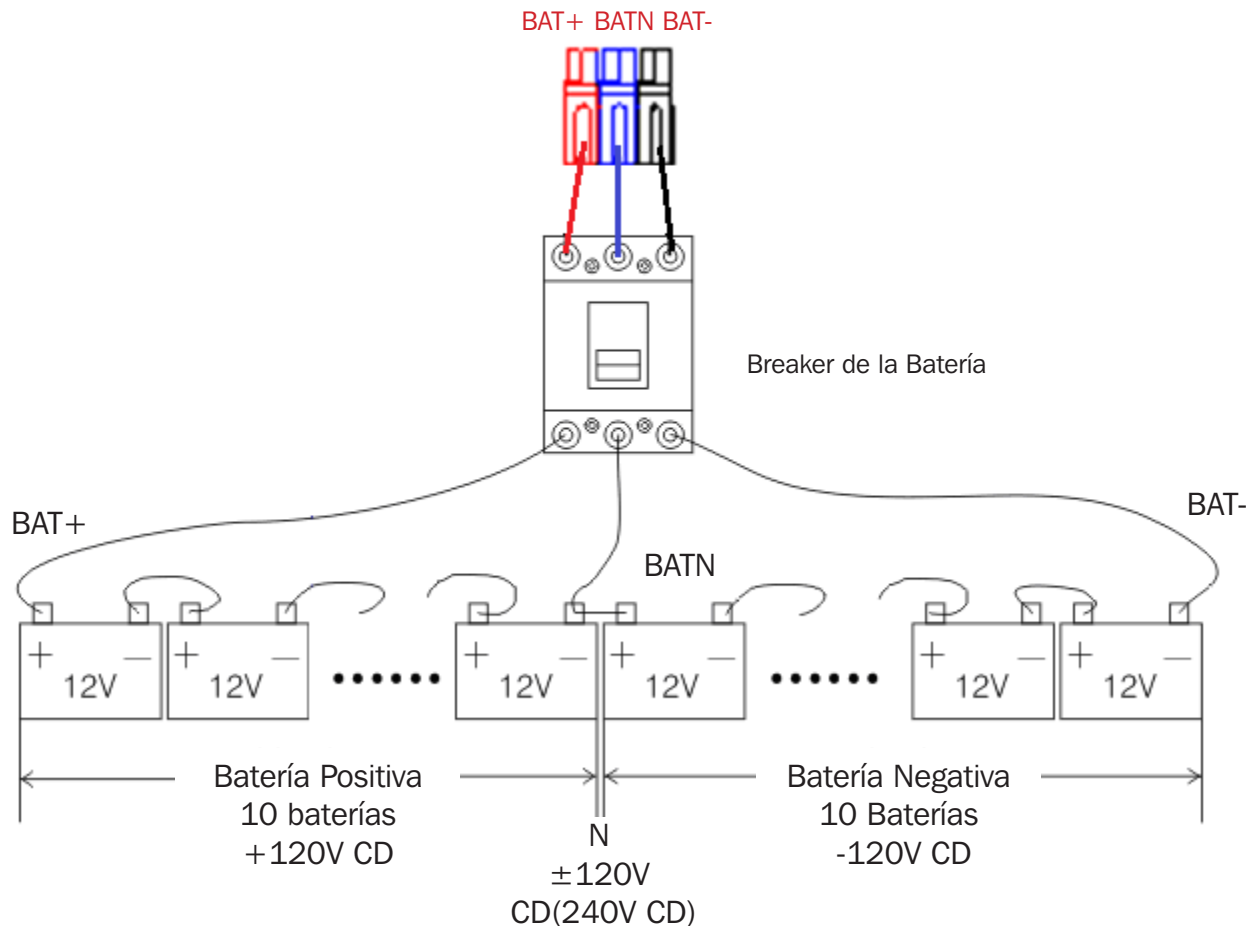
**Nota:** Refiérase a la sección 4.3.6.2 pasos 1 y 2 para información sobre la configuración del UPS en paralelo.



## 3. Instalación y Cableado

### 3.15 Conexiones de la Batería Externa

El UPS tiene un marco positivo y negativo de doble batería, con un total de 20 baterías en serie. Un cable neutro se recupera de la unión entre el cátodo de la décima batería y el ánodo de la décima batería. A continuación, el cable neutro, el positivo de la batería y el negativo de la batería, respectivamente, están conectados con el UPS. Los grupos de baterías entre el ánodo de la batería y el neutro se llaman baterías positivas y aquellas entre el neutro y el cátodo se llaman baterías negativas. Refiérase a la sección **3.9.1 Compatibilidad del UPS y el Gabinete de Baterías**.



#### Notas:

- El BAT+ de los postes de conexión del UPS está conectado al ánodo de la batería positiva.
- El BAT-N está conectado al cátodo de la batería positiva y el ánodo de la batería negativa.
- El BAT- está conectado al cátodo de la batería negativa.
- Los parámetros predeterminados de la unidad de autonomía de larga duración son para 20 baterías. Al conectar baterías (en múltiplos de 20), configure la cantidad y capacidad de la batería correcta después que el UPS inicie en modo de CA. La corriente del cargador se ajusta automáticamente de acuerdo con la capacidad de la batería seleccionada. Todas las configuraciones relacionadas pueden hacerse mediante el panel de LCD o el software de monitoreo.



#### ¡PRECAUCIÓN!

Asegúrese de que la conexión correcta de la polaridad de la serie de baterías, es decir, las conexiones entre niveles y entre bloques son de terminales (+) a (-).

No mezcle baterías con diferente capacidad o de diferentes marcas. No mezcle baterías nuevas y viejas.



#### ¡ADVERTENCIA!

Asegure la polaridad correcta de las conexiones del extremo de la cadena al breaker de la batería y del breaker de la batería a las terminales del UPS, es decir, (+) a (+) / (-) a (-), pero desconecte uno o más enlaces de celda de la batería en cada nivel. No vuelva a conectar estos enlaces y no cierre el breaker de la batería a menos que lo autorice el técnico de puesta en servicio.

## 3. Instalación y Cableado

### Conexiones de Múltiples Módulos de Baterías



#### ¡PRECAUCIÓN!

Asegure la polaridad correcta de la conexión de la serie de baterías. No mezcle baterías con diferente capacidad o de diferentes marcas o baterías nuevas o viejas.



#### ¡ADVERTENCIA!

Asegure la polaridad correcta de las conexiones del extremo de la cadena al breaker de la batería y desde el breaker de la batería a las terminales del UPS (i.e., (+) a (+) / (-) a (-) / (N) a (N)). Desconecte uno o más enlaces de celda de la batería en cada nivel. No vuelva a conectar estos enlaces y no cierre el breaker de la batería a menos que todas las conexiones estén correctamente revisadas y aprobadas.

### 3.15.1 Instalación y Configuración

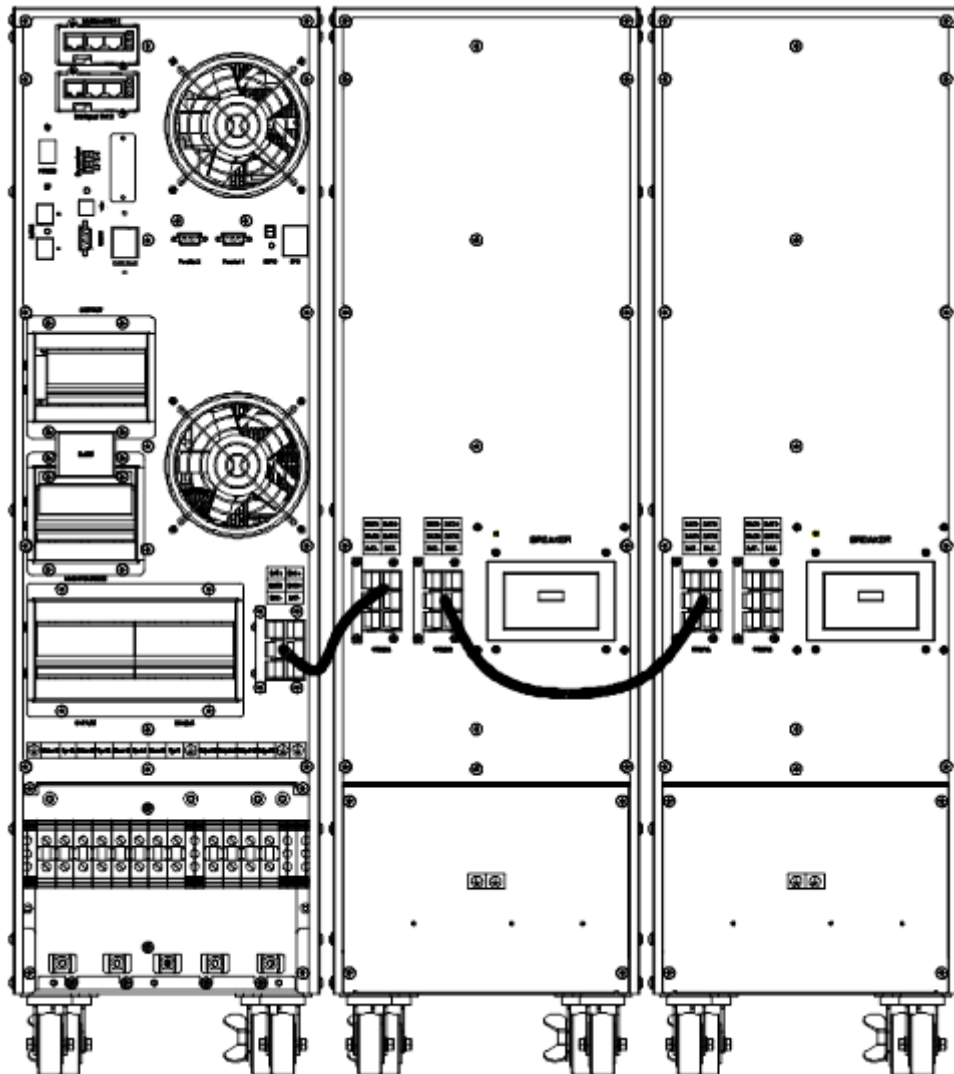


Figura 3-19: Conexión de la Batería de 10 kVA, 15 kVA y 20 kVA

**Nota:** Antes de la instalación, inspeccione la unidad. Cualquier daño al empaque debe observarse en el momento de la recepción con el transportista. Cerciórese de que nada se haya dañado dentro del empaque. Conserve el material de empaque original en un lugar seguro para uso futuro.

Retire del empaque el juego de riel, gabinete de baterías y módulos de baterías.

**Nota:** Los módulos de baterías son muy pesados. Tenga cuidado cuando desembale y levante la unidad para no causar daños.

**Nota:** Refiérase a la sección 4.3.6.2, paso 4, para obtener información sobre la configuración de la capacidad en Ah de la batería, el número de baterías y el número de gabinetes de baterías.

# 4. Operación

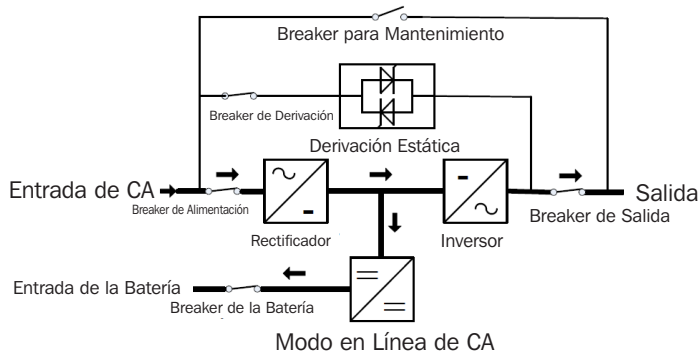
## 4.1 Modos de Operación

El UPS es un UPS en línea de doble conversión que puede operar en los siguientes modos alternativos:

### 4.1.1 Modo en Línea de CA

El rectificador cargador deriva energía de la red pública de CA y suministra energía de CD al inversor mientras flota y eleva la carga a la batería simultáneamente. A continuación, el inversor convierte la energía de CD a CA y alimenta a la carga.

#### ENTRADA ÚNICA: Alimentación de la Red Pública



#### ENTRADA DUAL: Alimentación de la Red Pública y de Derivación

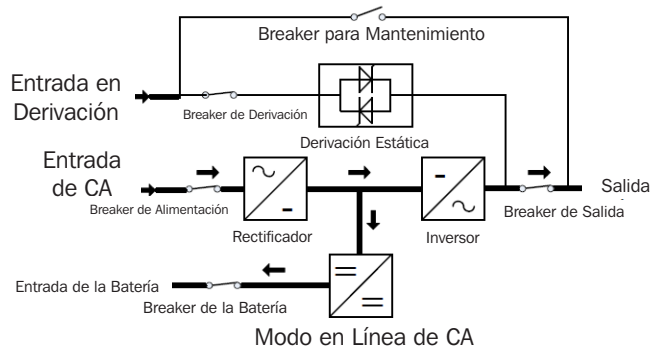
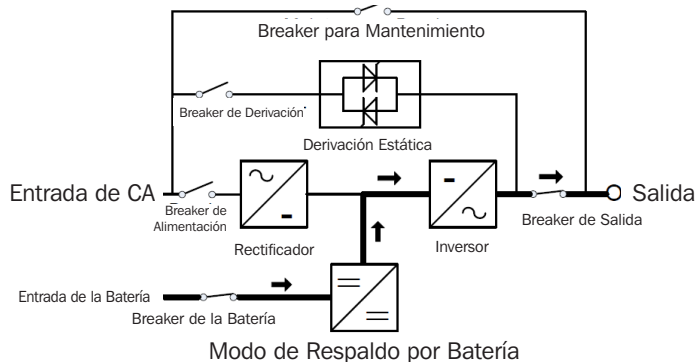


Figura 4-1: Modo en Línea de CA

### 4.1.2 Modo de Respaldo por Batería (Modo de Energía Almacenada)

Si falla la alimentación de CA de la red pública, el inversor, que obtiene energía de la batería, alimenta la carga crítica de CA. No hay interrupción de energía a la carga crítica. Cuando se recupere la CA, el UPS regresará automáticamente al modo normal.

#### ENTRADA ÚNICA: Alimentación de la Red Pública



#### ENTRADA DUAL: Alimentación de la Red Pública y de Derivación

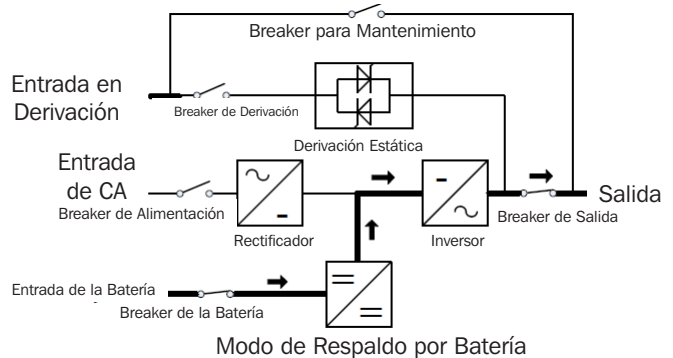


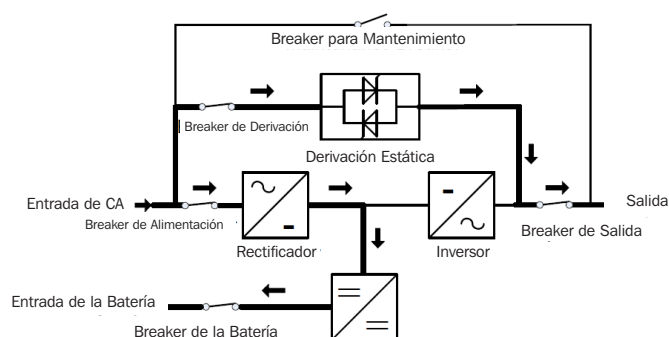
Figura 4-2: Modo de Respaldo por Batería

## 4. Operación

### 4.1.3 Modo en Derivación

Si el inversor está fuera de orden o si ocurre sobrecarga, el switch de transferencia estático se activará para transferir la carga de la alimentación del inversor a la alimentación de derivación sin interrupción a la carga crítica. En el caso de que la salida del inversor no esté sincronizada con la fuente de CA en derivación, el switch estático realizará una transferencia de la carga del inversor a la derivación con interrupción de energía a la carga crítica de CA. Esto es para evitar la conexión en paralelo de fuentes de CA no sincronizadas. Esta interrupción es programable pero normalmente configurada para ser inferior a un ciclo eléctrico, por ejemplo, menos de 15 ms (50 Hz) o menos de 13.33 ms (60 Hz).

#### ENTRADA ÚNICA: Alimentación de la Red Pública



#### ENTRADA DUAL: Alimentación de la Red Pública y de Derivación

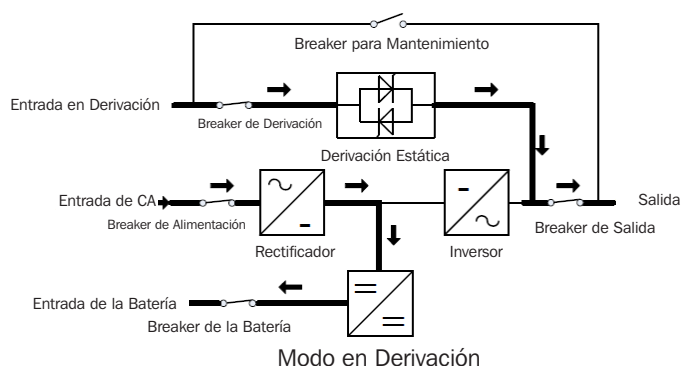


Figura 4-3: Modo en Derivación

### 4.1.4 Modo ECO

Cuando el UPS está en modo de CA y el requerimiento de la carga no es crítico, el UPS puede configurarse en modo ECO a fin de aumentar la eficiencia de la energía suministrada. En el modo ECO, el UPS trabaja en modo Interactivo, de modo que el UPS se transferirá a la alimentación en derivación. Cuando el CA esté fuera de la ventana establecida, el UPS se transferirá de la derivación al inversor y suministrará energía desde la batería y después el LCD mostrará toda la información relacionada en la pantalla. Después de encender, el UPS pasará en forma predeterminada al modo ECO.

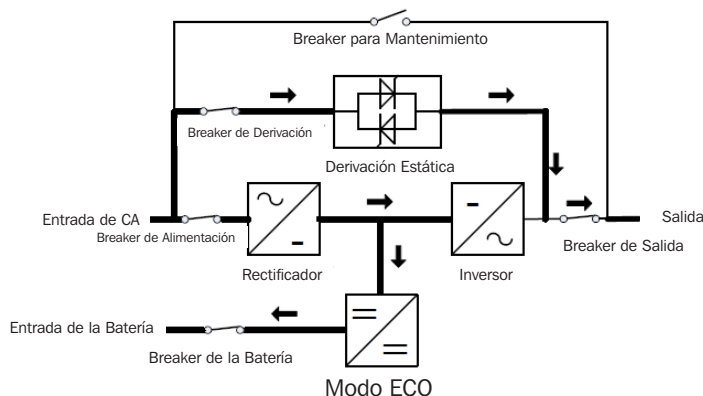


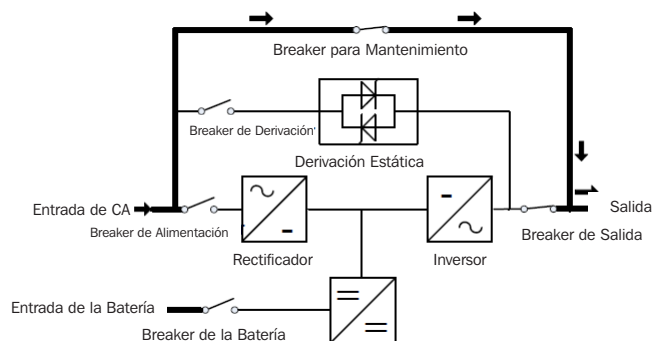
Figura 4-4: Modo ECO

## 4. Operación

### 4.1.5 Modo de Mantenimiento (Derivación Manual)

Está disponible un switch de derivación manual para asegurar la continuidad de suministro a la carga crítica cuando el UPS esté fuera de orden o en reparación y este switch de derivación manual soporta una carga nominal equivalente.

#### ENTRADA ÚNICA: Alimentación de la Red Pública



#### ENTRADA DUAL: Alimentación de la Red Pública y de Derivación

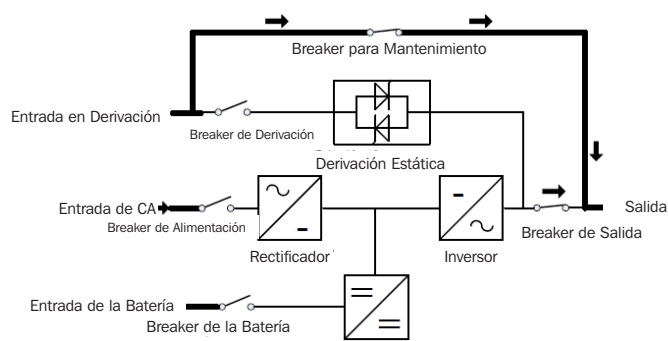


Figura 4-5: Modo de Mantenimiento

## 4.2 Encendido y Apagado del UPS

### 4.2.1 Arranque Básico

Una vez completado el siguiente procedimiento, el UPS soportará la carga en modo En Línea o Modo ECO si está activado.

1. Confirme que la batería esté conectada. Encienda cualquier breaker del gabinete de baterías externas (si corresponde).
2. Encienda el switch de ENCENDIDO en la parte posterior del UPS.
3. Encienda el Breaker de la Derivación.
4. Encienda el Breaker de la Alimentación Principal.
5. Encienda el Breaker de Salida.
6. El inversor realizará un arranque lento y aumentará hasta el voltaje nominal. El UPS se transferirá al modo en línea o al modo ECO (si está activado) dentro de uno a dos minutos.
7. Confirme que no haya alarmas activas.

### 4.2.2 Apagado del UPS

Una vez completado el siguiente procedimiento, el UPS se apagará y la carga no será soportada.

1. Con el UPS en Modo en Línea o Modo ECO, detenga el inversor usando el menú de pantalla (Inicio > común > INV ON/OFF > INV OFF). El UPS se transferirá al modo en derivación. Confirme que el LED de derivación esté encendido y el LCD muestre el modo de Derivación antes de continuar.
2. Apague el Breaker de Salida. La carga se desactivará.
3. Apague el Breaker de Alimentación Principal.
4. Apague el breaker de la Derivación. El UPS se apagará poco después.
5. Apague el switch de ENCENDIDO en la parte posterior del UPS.
6. Apague el breaker de la batería del gabinete de baterías externas (si corresponde).

## 4. Operación

### 4.2.3 Arranque en Frío

Una vez completado el siguiente procedimiento, el UPS soportará la carga desde la energía de la batería.

1. Confirme que la batería esté conectada. Encienda cualquier breaker del gabinete de baterías externas (si corresponde).
2. Encienda el switch de ENCENDIDO en la parte posterior del UPS.
3. Encienda el Breaker de Salida.
4. Oprima el botón de arranque en frío en la parte posterior del UPS. El inversor realizará un arranque lento y aumentará hasta el voltaje nominal. Una vez finalizado, el UPS se transferirá al modo de respaldo por batería y soportará la carga.
5. Una vez restablecida y estabilizada la energía de la red pública, encienda el breaker de derivación y el breaker de la alimentación principal. El UPS se transferirá al modo en línea o al modo ECO (si está activado).
6. Confirme que no haya alarmas activas.

### 4.2.4 Transferencia a Modo en Derivación para Mantenimiento

Una vez completado el siguiente procedimiento, el UPS se apagará. Sin embargo, seguirá suministrándose energía al bloque de terminales de salida.

1. Retire la cubierta del breaker de la derivación para mantenimiento en la parte posterior del UPS retirando los dos (2) tornillos de instalación. El UPS se transferirá automáticamente al modo en Derivación. Confirme que el LED de derivación esté encendido y el LCD muestre Derivación para Mantenimiento antes de continuar.
2. Encienda el Breaker de Derivación para Mantenimiento.
3. Apague el Breaker de Salida.
4. Apague el Breaker de Alimentación Principal.
5. Apague el breaker de la Derivación. El UPS se apagará poco después.
6. Apague el switch de ENCENDIDO en la parte posterior del UPS.
7. Apague el breaker de la batería del gabinete de baterías externas (si corresponde). La carga ahora es alimentada a través de la derivación para mantenimiento.

### 4.2.5 Transferencia desde el Modo en Derivación para Mantenimiento al Modo en Línea o ECO

El UPS regresará al modo en línea o al modo ECO (si está activado) una vez completado el siguiente procedimiento.

1. Confirme que la batería esté conectada. Encienda cualquier breaker del gabinete de baterías externas (si corresponde).
2. Encienda el switch de ENCENDIDO en la parte posterior del UPS.
3. Encienda el breaker de la Derivación.
4. Encienda el Breaker de la Alimentación Principal.
5. Encienda el Breaker de Salida.
6. El UPS se transferirá al modo en Derivación poco después de la inicialización. Confirme que la unidad se haya transferido a modo de Derivación para Mantenimiento y el LED de Derivación esté encendido antes de continuar.
7. Apague el Breaker de Derivación para Mantenimiento.
8. Reinstale la placa de cubierta del breaker de Derivación para Mantenimiento al UPS usando los tornillos suministrados.
9. El UPS se transferirá al Modo en Línea o al Modo ECO dentro de uno a dos minutos. El inversor realizará un arranque lento y aumentará hasta el voltaje nominal. Una vez finalizado, el UPS se transferirá al Modo en Línea o al Modo ECO (si está activado).
10. Confirme que no haya alarmas activas.

## 4. Operación

### 4.3 Alarmas, LEDs y Pantalla LCD

#### 4.3.1 Descripción General de Alarmas Acústicas e Indicadores LED

		Alarmas Acústicas		LEDs de Pantalla			
		Estado de la Alarma	Silenciable Encendido y Apagado	Alarma	Derivación	Batería	Inversor
<b>Modos del UPS</b>	Inicialización del UPS	Suena un Bip, Solo Una Vez	No	Destellando/ 0.5 segundos	Destellando/ 0.5 segundos	Destellando/ 0.5 segundos	Destellando/ 0.5 segundos
	Modo en Línea del UPS (Normal)	Sin Bips	Sin Bips	APAGADO	APAGADO	APAGADO	ENCENDIDO
	Modo de Respaldo por Batería del UPS	Bip/2 Segundos	Sí	APAGADO	APAGADO	ENCENDIDO	APAGADO
	Modo de Prueba de la Batería del UPS	Sin Bips	Sin Bips	APAGADO	APAGADO	ENCENDIDO	APAGADO
	Modo ECO del UPS	Sin Bips	Sin Bips	APAGADO	ENCENDIDO	APAGADO	APAGADO
	Modo en Espera del UPS	Sin Bips	Sin Bips	APAGADO	APAGADO	APAGADO	APAGADO
	Modo de Derivación Estática del UPS	Sin Bips	Sin Bips	APAGADO	ENCENDIDO	APAGADO	APAGADO
	Modo en Derivación para Mantenimiento del UPS	Sin Bips	Sin Bips	APAGADO	ENCENDIDO	APAGADO	APAGADO
	Modo de Convertidor de Frecuencia del UPS	Sin Bips	Sin Bips	APAGADO	APAGADO	APAGADO	ENCENDIDO
Sobrecarga (Modo en Derivación o Modo de Respaldo por Batería)	Bip/1 Segundo	Sí	APAGADO	ENCENDIDO	ENCENDIDO	APAGADO	

#### 4.3.2 Introducción al Panel de Control LCD

La pantalla LCD incorporada tiene una gran variedad de funciones y es intuitiva en su uso. Las siguientes cubren las características principales accesibles a través de la pantalla.

**Nota:** La mayoría de los parámetros no pueden cambiarse cuando el UPS está en modo de inversor.



Figura 4.6: Descripción general del panel de operación del UPS

- 1** LED de Alarma
- 2** LED de Derivación
- 3** LED de la Batería [En Respaldo]
- 4** LED del Inversor
- 5** Pantalla LCD Táctil, 127 mm [5"]
- 6** Botón EPO (el botón debe presionarse por al menos 3 segundos para activar EPO)

## 4. Operación

### 4.3.3 Página Principal: Pantalla Predeterminada

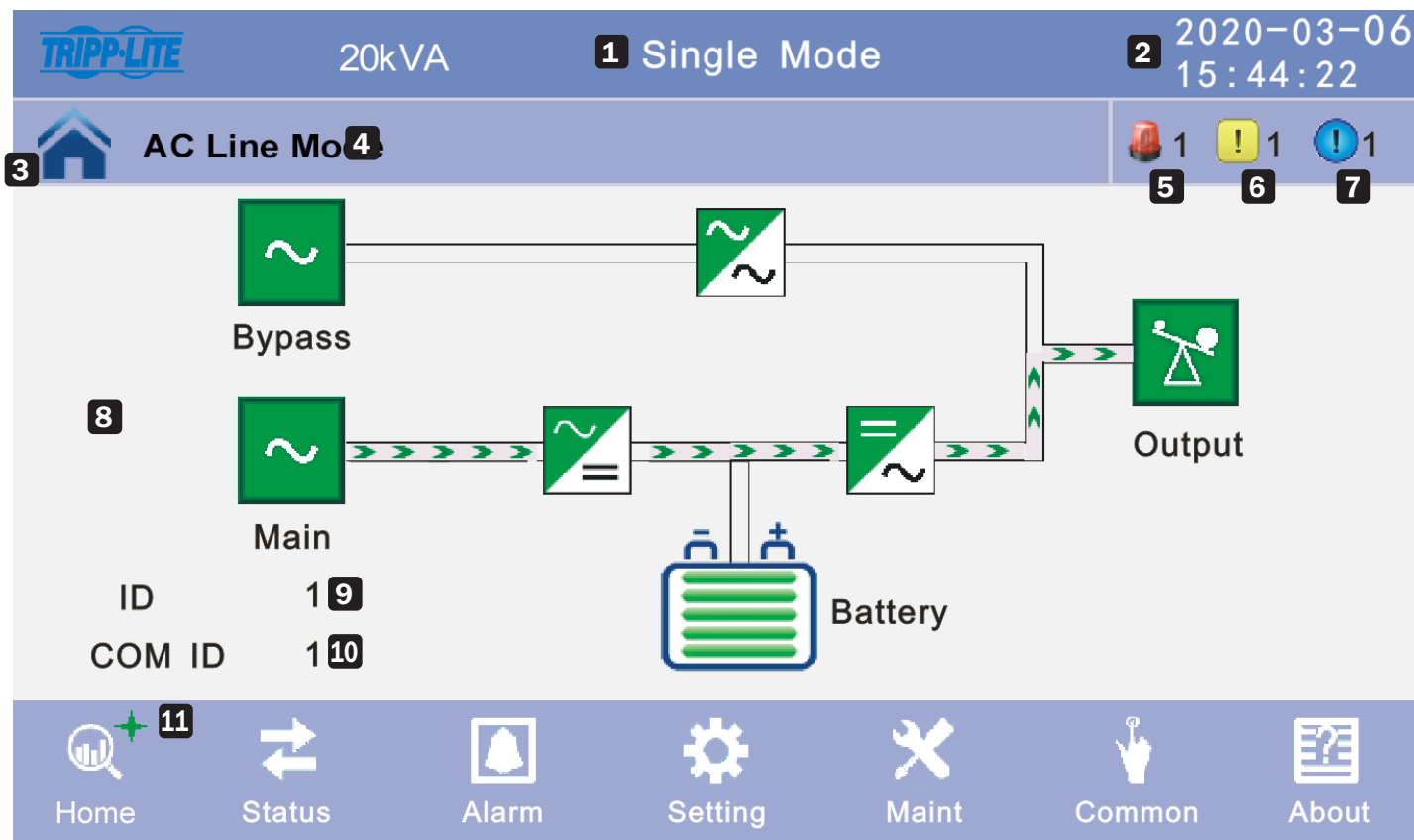


Figura 4.7: Página Principal del LCD

- 1 Monomodo = Un Solo UPS (No conectado en paralelo)
- 2 Fecha/Hora
- 3 Página Principal = Estado del Sistema
- 4 Estado de Operación
- 5 Falla
- 6 Alarma
- 7 Evento
- 8 Página de datos
- 9 ID del Equipo
- 10 ID de Comunicación
- 11 Pantalla Actual Seleccionada (indicada por el signo verde más ✦)



## 4. Operación

### 4.3.4 Pantalla de Estado

Haga clic en el ícono de **Estado** para ingresar a la ventana de la pantalla de estado, ver el voltaje y la corriente del principal, derivación, salida y batería (o entrada a través del bloque de datos en tiempo real), ver el estado del switch y ver el estado del contacto seco. Haga clic en el ícono para ingresar la ventana de datos correspondiente.

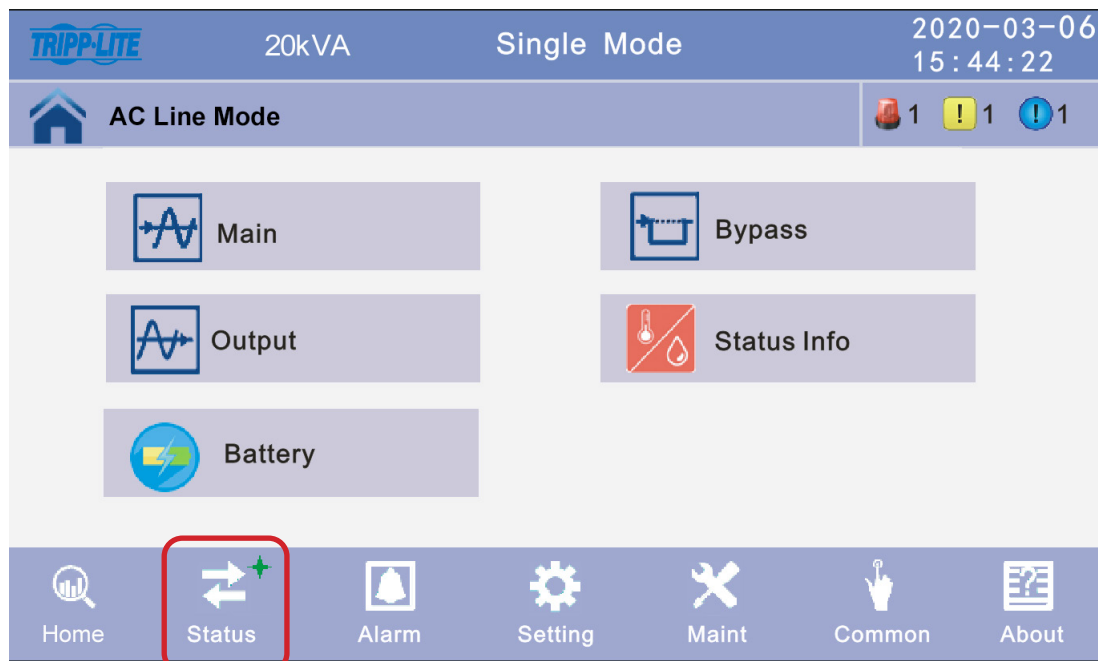


Figura 4-8: Pantalla de Estado

1. Haga clic en el ícono **Principal** para ingresar a la ventana de la pantalla de datos principales. Haga clic en la flecha en la parte inferior derecha de la pantalla para regresar a la ventana anterior. Haga clic en el ícono de la página principal para saltar a la página principal.

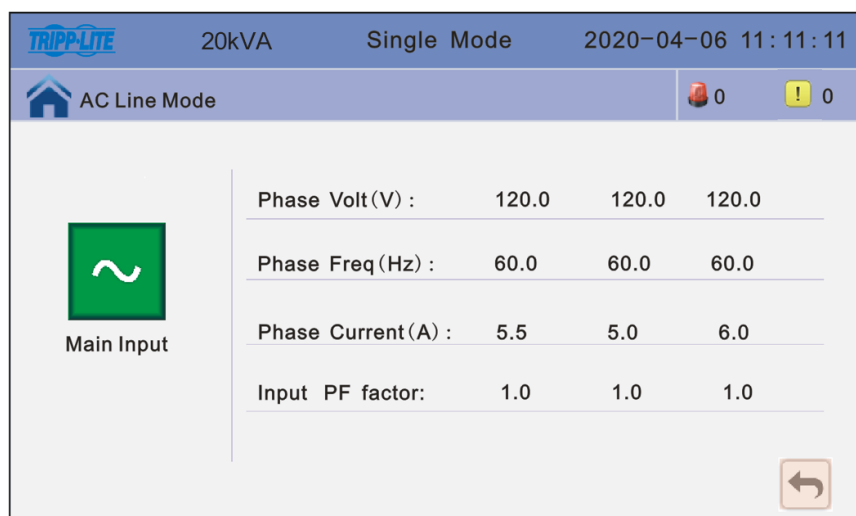


Figura 4-9: Ventana de Pantalla de Datos Principales

## 4. Operación

2. Haga click en el ícono de **Derivación** para ingresar a la ventana de la pantalla de datos en derivación. Haga click en el ícono **Atrás** para regresar a la última ventana. Haga click en el ícono de la **Página de Inicio** para saltar a la página principal.

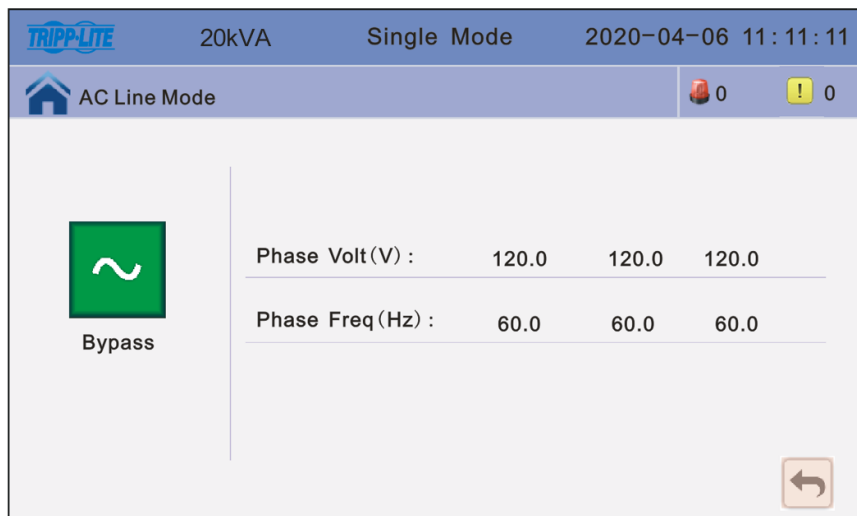


Figura 4-10: Ventana de la Pantalla de Datos de la Derivación

3. Haga click en el ícono de **Salida** para ingresar a la ventana de la pantalla de datos de salida. Haga click en el ícono **Atrás** para regresar a la última ventana. Haga click en el ícono de la **Página de Inicio** para saltar a la página principal.

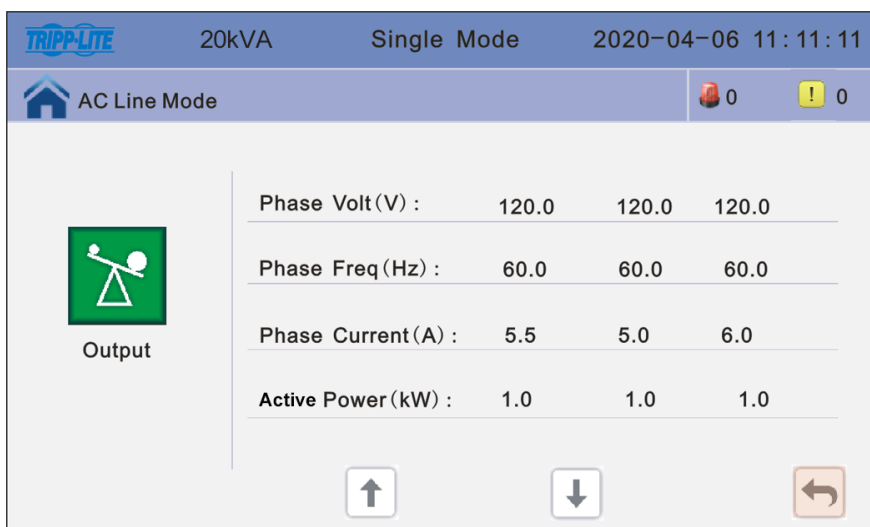


Figura 4-11: Ventana de Pantalla de Datos de Salida

**Nota:** Las flechas arriba/abajo en la parte inferior de la pantalla pueden usarse para desplazarse a través de la pantalla para acceder a otras variables como: Potencia Aparente (kVA), Tasa de Carga (%) y Relación de Carga Máxima.

## 4. Operación

4. Haga clic en el ícono de **Información de Estado** para ingresar a la ventana de la pantalla de estado. Haga clic en el ícono **Atrás** para regresar a la última ventana. Haga clic en el ícono de la **Página de Inicio** para saltar a la página principal. La configuración predeterminada para la temperatura es grados Celsius.

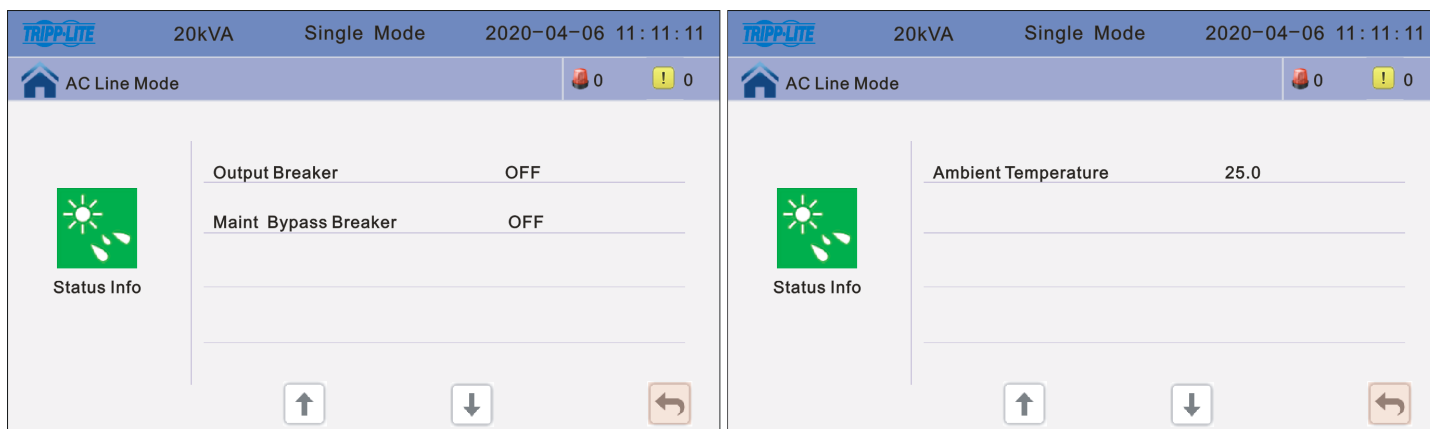


Figura 4-12: Ventana de Visualización de Estado

5. Haga clic en el ícono de la **Batería** para ingresar a la ventana de la pantalla de datos de la batería. Haga clic en el ícono **Atrás** para regresar a la última ventana. Haga clic en el ícono de la **Página de Inicio** para saltar a la página principal. La temperatura de la batería mostrará 0.0 a menos que esté usando un sensor de termostato de la batería en las baterías conectadas al puerto RJ45 del sistema UPS.

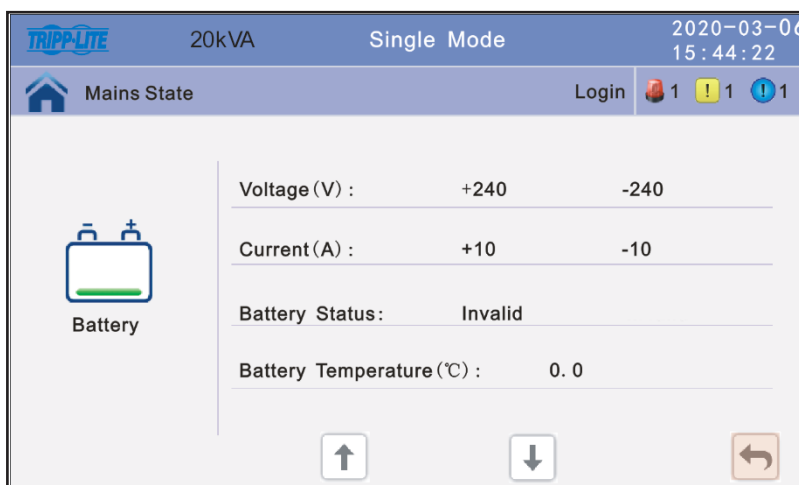


Figura 4-13: Ventana de Visualización de Datos de la Batería

**Nota:** Las flechas arriba/abajo en la parte inferior de la pantalla pueden usarse para desplazarse a través de la pantalla para acceder a otras variables: Capacidad de la Batería (%) y Tiempo de Respaldo (min).

## 4. Operación

### 4.3.5 Interfaz de la Alarma

Haga clic en el ícono de **Alarma** para ingresar a la interfaz de alarma, ver las alarmas y el historial de alarma del UPS y encender o apagar el zumbador.

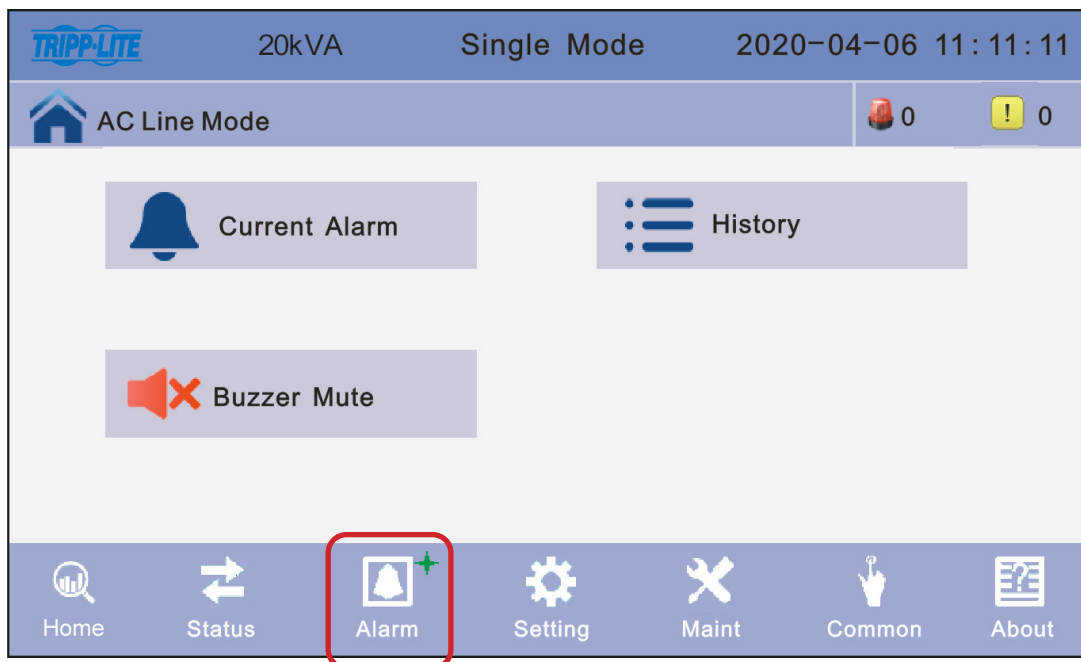


Figura 4-14: Interfaz de Alarma

1. Haga clic en el ícono de **Alarma Actual** para ingresar a la ventana de la pantalla de alarma actual. Haga clic en el ícono **Atrás** para regresar a la última ventana. Haga clic en el ícono de la **Página de Inicio** para saltar a la página principal.

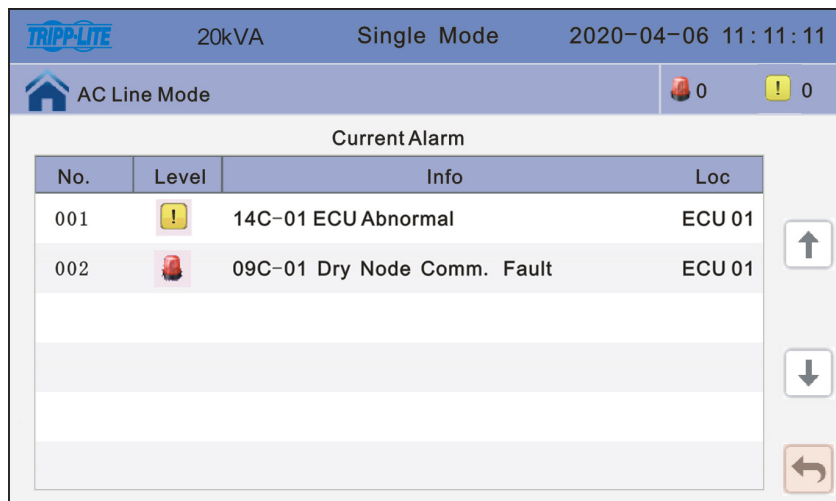


Figura 4-15: Ventana de Pantalla de Alarma Actual

## 4. Operación

2. Haga clic en el ícono de **Historial** para acceder al historial de eventos del UPS. El UPS almacena hasta 4,000 eventos. Desplácese hacia arriba y hacia abajo de la página para ver todas las alarmas recientes. Haga clic en el ícono **Atrás** para regresar a la última ventana. Haga clic en el ícono de la **Página de Inicio** para saltar a la página principal.

No.	Level	Info	Loc	Time
0001	!	Inverted Worked	System	2018-06-15 18:12:00
0002	!	On Line	System	2018-06-15 18:12:00
0003	!	Rectifier Activated	System	2018-06-15 18:12:00

Figura 4-16: Ventana de Pantalla de Historial

3. Haga clic en el ícono de **Silenciado del Zumbador** para silenciar el zumbador. El ícono rojo se pondrá verde. Para activar el zumbador, haga clic en el ícono **Abrir Zumbador**. El ícono verde se pondrá rojo.

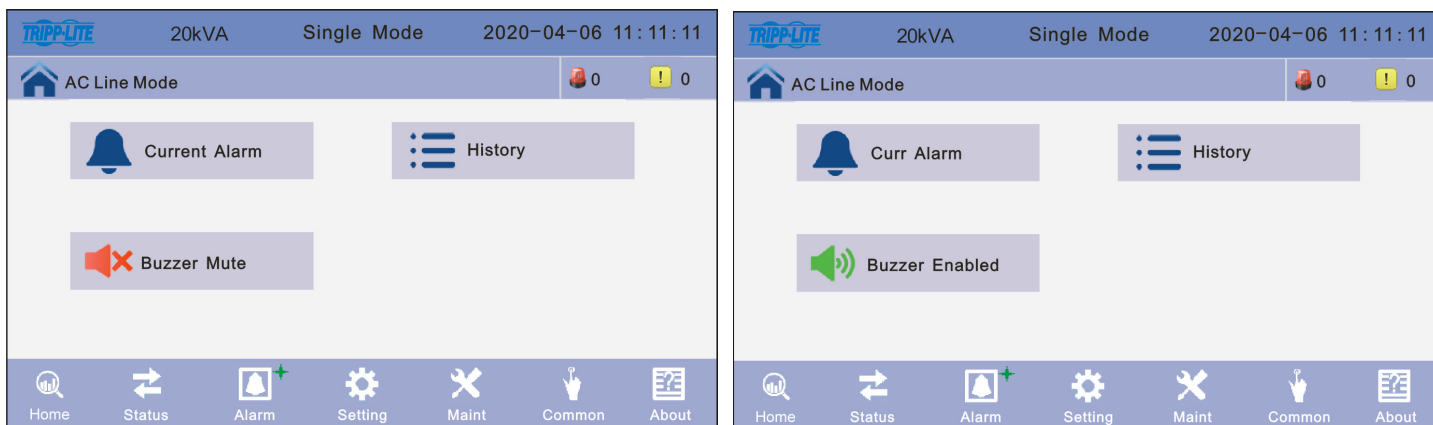


Figura 4-17: Zumbador Silenciado / Zumbador Habilitado

## 4. Operación

### 4.3.6 Pantalla de Configuración

Haga clic en el ícono de **Configuración** para ingresar a la ventana de configuración. Los parámetros están divididos en dos niveles: Configuración Básica y Configuración Avanzada.

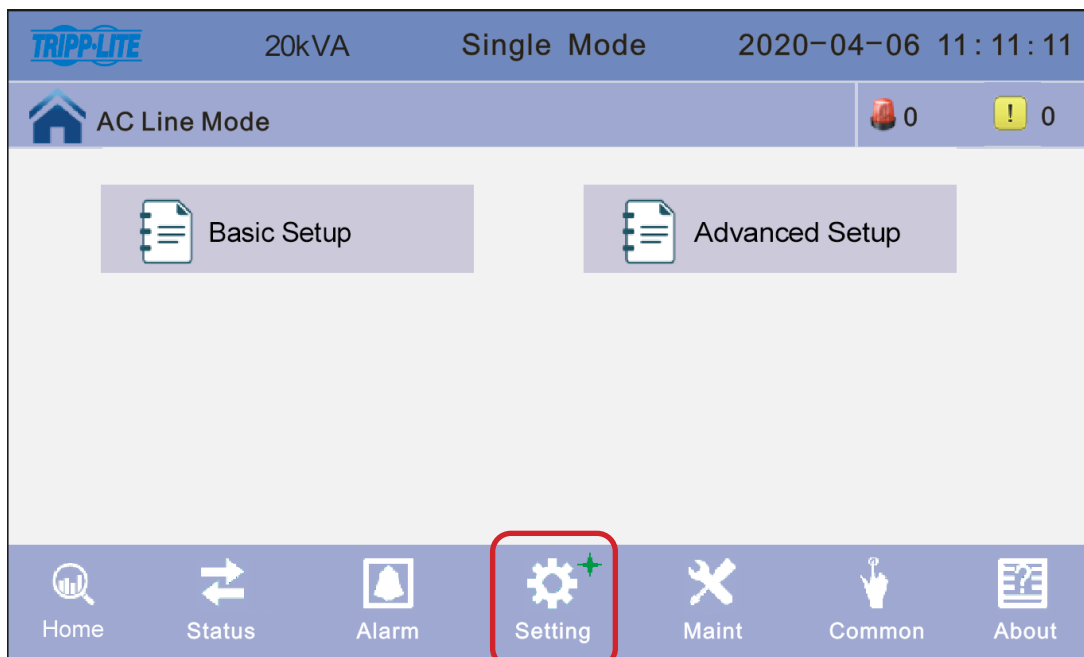


Figura 4-18: Pantalla de Configuración

#### 4.3.6.1 Pantalla de Configuración Básica

Haga clic en el ícono de **Configuración Básica** para ingresar la interfaz de configuración básica para configurar el idioma, brillo de la pantalla y hora y fecha.

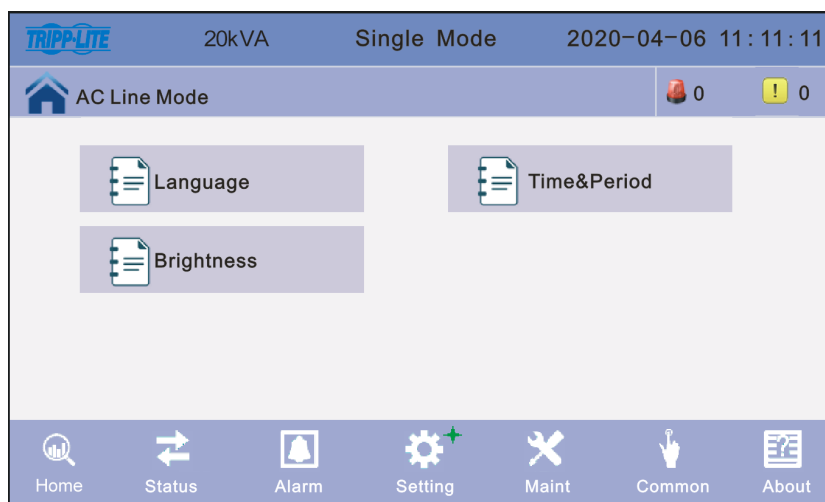


Figura 4-19: Interfaz de Configuración Básica

## 4. Operación

1. Haga clic en el ícono de **Idioma** para ingresar la interfaz de configuración de idioma. Seleccione el idioma deseado (inglés, español o francés) y haga clic en el ícono de **Guardar Configuración**. Haga clic en el ícono **Atrás** para regresar a la última ventana. Haga clic en el ícono de la **Página de Inicio** para saltar a la página principal.

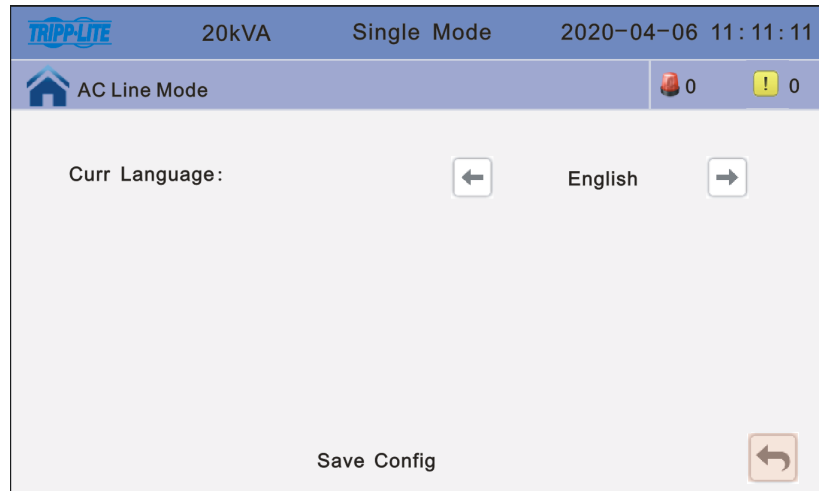


Figura 4-20: Interfaz de Configuración del Idioma

2. Haga clic en el ícono de **Hora y Período** para ingresar la interfaz de configuración de hora y fecha. Haga clic en **Guardar Configuración**, Haga clic en el ícono de **Atrás** para volver a la ventana anterior o haga clic en el ícono de **Página de Inicio** para saltar a la página principal. Todos los campos en **Fecha** y **Hora** son obligatorios para cerrar las ventanas de configuración.

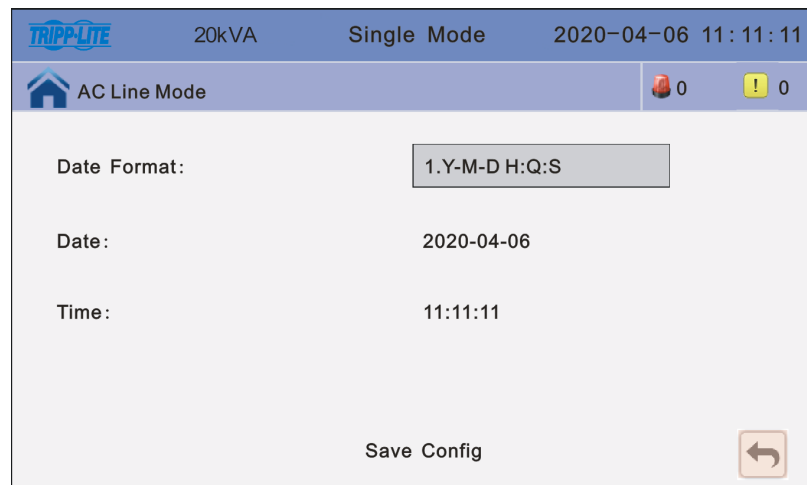


Figura 4-21: Interfaz de Configuración de Hora y Fecha

## 4. Operación

- Haga clic en el ícono de **Brillo** para configurar el brillo de luz de fondo de la pantalla y el tiempo de iluminación como desee. Haga clic en **Guardar Configuración**, Haga clic en el ícono de **Atrás** para volver a la ventana anterior o haga clic en el ícono de **Página de Inicio** para saltar a la página principal.

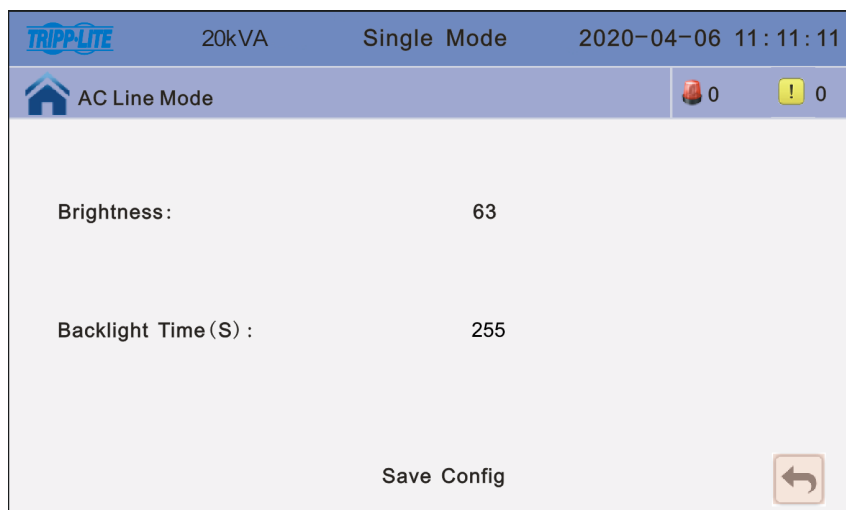


Figura 4-22: Interfaz de Brillo

### 4.3.6.2 Pantalla de Configuración Avanzada

Haga clic en el ícono de **Configuración Avanzada** en la página Principal. La contraseña de usuario es "191210".

**Nota:** Las operaciones avanzadas están diseñadas para ser realizadas solamente por técnicos certificados de Tripp Lite.

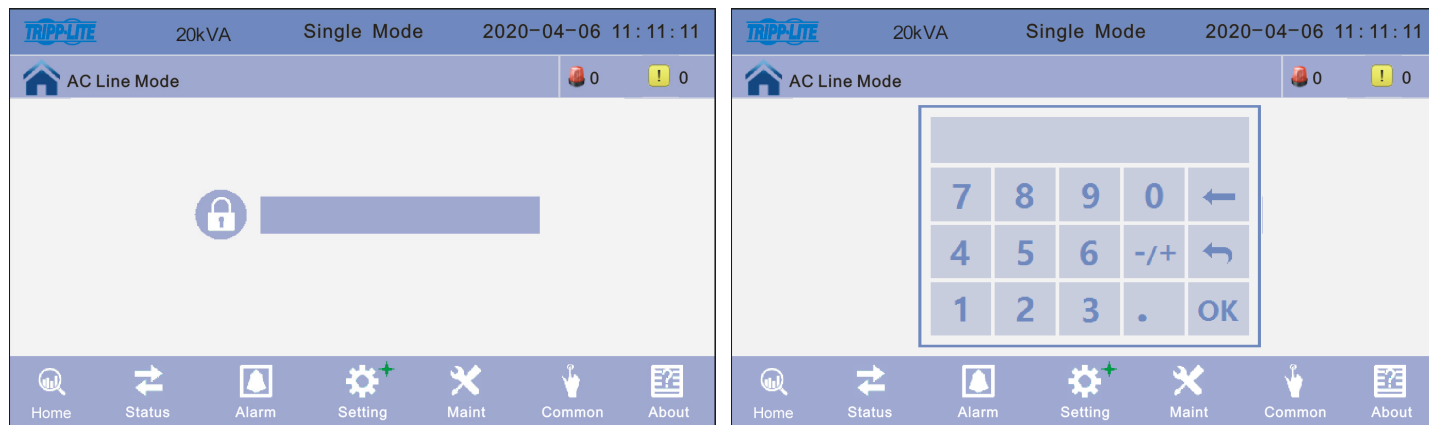


Figura 4-23: Ingrese la Contraseña para Configuración Avanzada



## 4. Operación

1. Haga clic en el ícono de **Configuración Avanzada**. Seleccione la configuración a cambiar / guardar. Haga clic en el ícono **Atrás** para regresar a la ventana anterior o haga clic en el ícono de la **Página de Inicio** para saltar a la página principal.

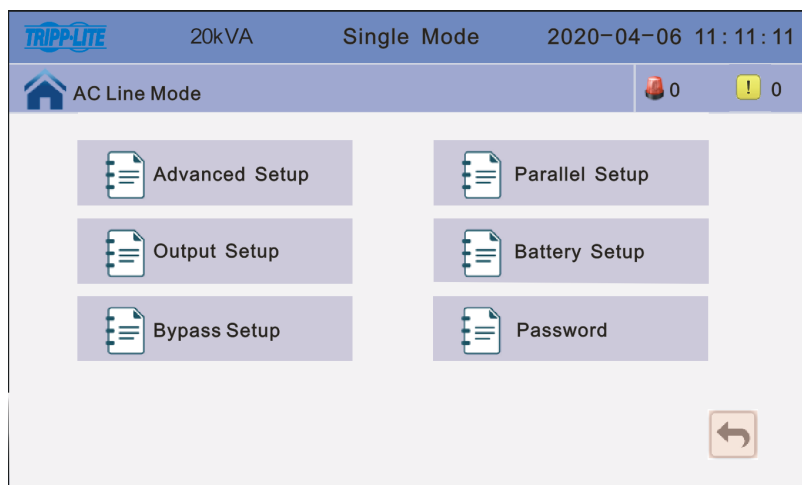


Figura 4-24: Interfaz de Configuración Avanzada

### Configuraciones de Configuración Avanzada:

**Modo de Trabajo** - Seleccione el modo de trabajo del UPS, modo de trabajo: Modo Individual, Modo en Paralelo, modo ECO.

**Monomodo:** Un solo UPS (no en paralelo)

**Modo en Paralelo:** Cuando está en modo en paralelo para aumentar capacidad, múltiples sistemas UPS suministran energía a la carga. Cuando está en modo en paralelo para redundancia, múltiples sistemas UPS son conectados para suministrar energía redundante.

**Modo ECO:** Modo verde y modo de ahorro de energía. Después de encender, el UPS pasará en forma predeterminada al modo ECO.

**Encendido Automático:** Seleccione la lógica de arranque del UPS, Activado: Arranque automático de salida del inversor del UPS, Desactivado: Sin Salida

**Nota:** Si desea que el UPS reinicie automáticamente después de que las baterías alcancen un corte de bajo voltaje (LVC) y el UPS se apague, debe configurarse la activación del encendido automático.

**Modo de Operación** - Seleccione el Modo de Operación: In-FreqConvM (En Modo de Conversión de Frecuencia), Not In-FreqConvM (No En Modo de Conversión de Frecuencia)

**Not In-FreqConvM (No En Modo de Conversión de Frecuencia):** En el modo de trabajo normal

**In-FreqConvM (En Modo de Conversión de Frecuencia):** La frecuencia de salida está determinada por la frecuencia y voltaje establecidos por el usuario. No está afectado por la entrada y no causará una alarma.

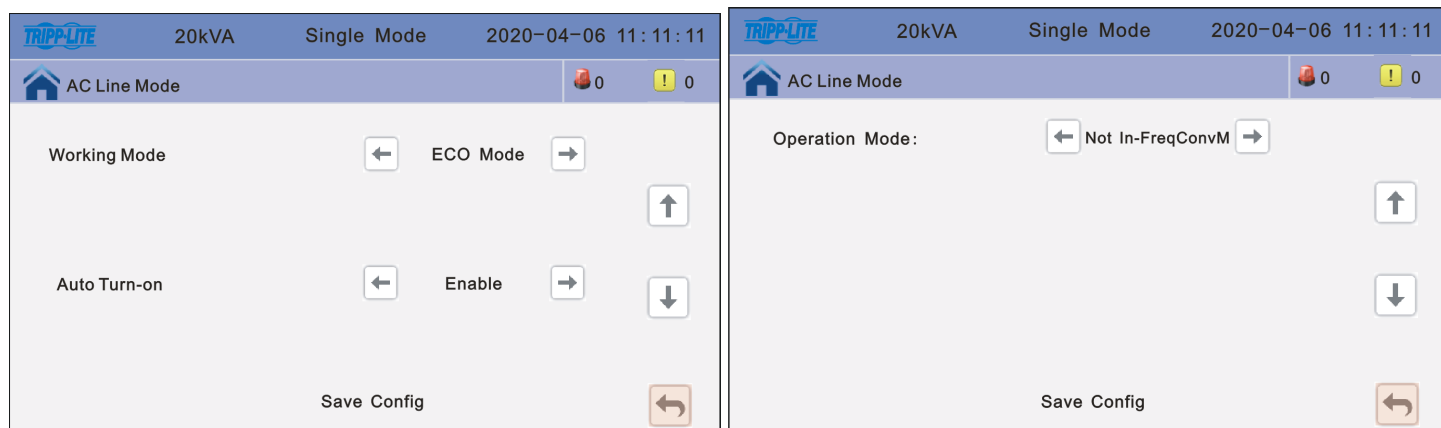
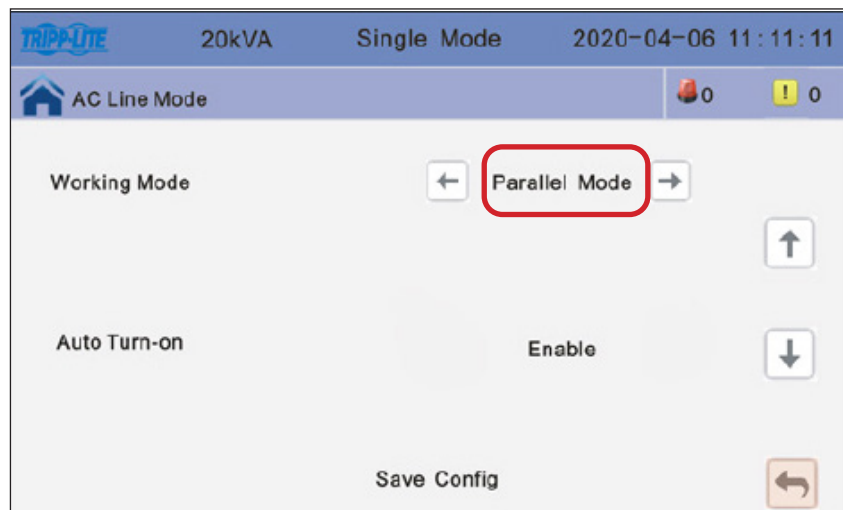
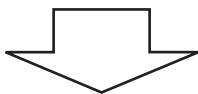


Figura 4-25: Configuraciones de Configuración Avanzada

## 4. Operación

2. Haga clic en el ícono de **Configuración en Paralelo**. Seleccione la configuración a cambiar / guardar. Haga clic en el ícono **Atrás** para regresar a la ventana anterior o haga clic en el ícono de la **Página de Inicio** para saltar a la página principal.

Para iniciar la configuración en paralelo, haga clic en **Configuración en Paralelo** y cambie el **Modo de Trabajo** de **Modo Sencillo** a **Modo en Paralelo**.



## 4. Operación

**ID en Paralelo:** ID de operación en paralelo. La ID debe modificarse después de configurar el Modo de Trabajo a Modo en Paralelo. El valor puede ser de 1 a 4. El valor predeterminado es 1.

**En Paralelo para Capacidad de Unidades UPS:** Número de gabinete en paralelo. El número total de gabinete en paralelo debe modificarse después de configurar el Modo de Trabajo a Modo en Paralelo. El valor puede ser de 2 a 4. El valor predeterminado es 2.

**En Paralelo para Unidades UPS Redundantes:** Número de gabinete con redundancia en paralelo. El número del gabinete con redundancia puede modificarse después de configurar el Modo de Trabajo a Modo en Paralelo. El valor puede ser de 0 a 3. El valor predeterminado es 0.

The screenshot shows the configuration screen for a 20kVA UPS in Single Mode. The top bar displays the Tripp-Lite logo, 20kVA, Single Mode, and the date/time 2020-04-06 11:11:11. Below the bar, there is a home icon and 'AC Line Mode' on the left, and a fire icon with '0' and a warning icon with '0' on the right. The main area contains three settings, each with a left arrow, a value, and a right arrow:

Parallel ID:	←	1	→
Parallel for Capacity Units :	←	2	→
Parallel Redundancy Units:	←	0	→

At the bottom, there is a 'Save Config' button and a back arrow icon.

Figura 4-26: Configuraciones de Configuración en Paralelo

3. Haga clic en el ícono de **Configuración de Salida** y seleccione la configuración a cambiar / guardar. Haga clic en el ícono **Atrás** para regresar a la ventana anterior o haga clic en el ícono de la **Página de Inicio** para saltar a la página principal.

**Frec de Salida:** Frecuencia de Salida. El valor puede ser 50 Hz o 60 Hz.

**Nivel de Voltaje de Salida:** Nivel de voltaje de salida. El valor puede ser de 120 ó 127.

**Regulación de voltaje del INV de salida:** Voltaje regulado del inversor. El valor puede estar entre -5% a +5% en incrementos del 0.5%.

El valor predeterminado es 0%.

The screenshot shows the configuration screen for a 20kVA UPS in Single Mode. The top bar displays the Tripp-Lite logo, 20kVA, Single Mode, and the date/time 2020-04-06 11:11:11. Below the bar, there is a home icon and 'AC Line Mode' on the left, and a fire icon with '0' and a warning icon with '0' on the right. The main area contains three settings, each with a left arrow, a value, and a right arrow:

Output Freq (Hz) :	←	60.0	→
Output Volt Level (V) :	←	120.0	→
Output INV Volt Regu (%) :	←	0.0	→

At the bottom, there is a 'Save Config' button and a back arrow icon.

Figura 4-27: Configuración de Salida

## 4. Operación

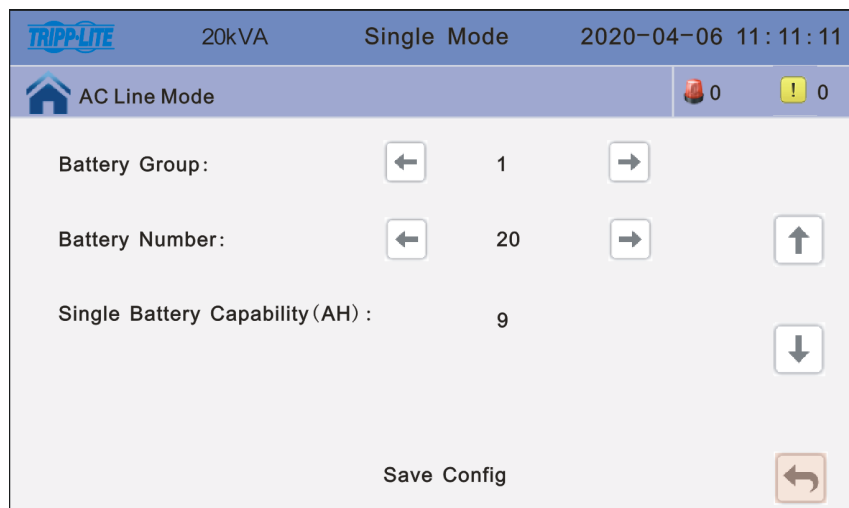
4. Haga clic en el ícono de **Configuración de Batería** y seleccione la configuración a cambiar / guardar. Haga clic en el ícono **Atrás** para regresar a la ventana anterior o haga clic en el ícono de la **Página de Inicio** para saltar a la página principal.

**Nota:** La configuración del UPS para el modelo de gabinete de baterías depende del modelo de UPS S3M y del modelo de gabinete de baterías que se están conectando juntos. Para instrucciones específicas de configuración del UPS, refiérase al manual del gabinete de baterías de la Serie S3M.

**Grupo de Baterías:** La cantidad del grupo de baterías es 1 para cada juego de 20 baterías que estén en el UPS o el gabinete de baterías conectado al UPS. Por ejemplo, el UPS Modelo S3M20K3B con 60 baterías internas se configuraría 3 para el grupo de baterías. Sin embargo, para conectar un gabinete BP240V09 con 80 baterías internas al S3M20K3B, el UPS S3M20K3B debe configurarse 7 para el grupo de baterías. El valor puede ser de 1 a 8. El valor predeterminado es 1.

**Número de baterías:** El valor predeterminado es 20. El número de baterías debe permanecer en 20 para todos los UPS modelo S3M10-100K ya sea que se use con o sin gabinetes de baterías externas de Tripp Lite diseñados para la línea de UPS de la Serie S3M.

**Capacidad de Una Sola Batería (Ah):** Modifique el valor a la capacidad de Ah individual para una batería. El valor puede ser de 7 a 2000. Si el modelo de UPS de 10kVA ~ 20kVA tiene baterías internas, este valor debe ser solo 9, porque el UPS de 10kVA ~ 20kVA sólo se ajusta a baterías internas de 9Ah. Sin embargo, si los modelos de UPS de 10kVA ~ 20kVA tienen el sufijo "-NIB" (sin baterías internas), el número podría ser de 9 (9Ah) a 100 (100 Ah), al usar modelos de gabinete de baterías de Tripp Lite.



The screenshot shows the 'AC Line Mode' configuration page for a Tripp Lite UPS. The header includes the Tripp Lite logo, '20kVA', 'Single Mode', and the date/time '2020-04-06 11:11:11'. Below the header, there are two status indicators: a red fire icon with '0' and a yellow warning icon with '0'. The main configuration area has three rows of settings, each with a label, a value, and navigation buttons (left and right arrows). The first row is 'Battery Group:' with a value of '1'. The second row is 'Battery Number:' with a value of '20'. The third row is 'Single Battery Capability (AH):' with a value of '9'. At the bottom right, there is a 'Save Config' button with a circular arrow icon.

Setting	Value
Battery Group:	1
Battery Number:	20
Single Battery Capability (AH):	9

Figura 4-28A: Configuración de la Batería

## 4. Operación

**Corriente máxima de carga:** La corriente máxima de carga está establecida y predeterminada en la fábrica para modelos de UPS con baterías internas que funcionan sin un gabinete de baterías externas (S3M10K1B, S3M10K2B, S3M10K3B, S3M15K2B, S3M15K3B, S3M20K3B). Sin embargo, para conectar un gabinete de baterías externas, consulte el manual del gabinete de baterías para la configuración específica del UPS requerida de acuerdo con el modelo de gabinete de baterías específico.

**Voltaje en flotación de Celda (V/Celda):** El valor del voltaje en flotación puede ser de 2.23 a 2.30 V/celda y es de 2.27 V/celda en forma predeterminada.

**Voltaje de elevación de celda (V/celda):** El valor ecualizado de voltaje de la batería puede ser de 2.30 a 2.40 V/celda y es de 2.35 V/celda en forma predeterminada.

**Duración de carga del Aver (min):** Límite de tiempo de carga del refuerzo. El valor puede ser de 1 a 999 minutos y es de 240 de forma predeterminada.

**Nota:** La Duración Promedio de la Carga (min) está establecida y predeterminada a 240 min. (4 horas) en la fábrica para modelos de UPS con baterías internas operando sin un gabinete de baterías externas (modelos S3M10K1B, S3M10K2B, S3M10K3B, S3M15K2B, S3M15K3B, S3M20K3B). Sin embargo, para conectar un gabinete de baterías externas, consulte el manual específico del gabinete de baterías para ver la configuración detallada del UPS requerida para el modelo específico del gabinete de baterías.

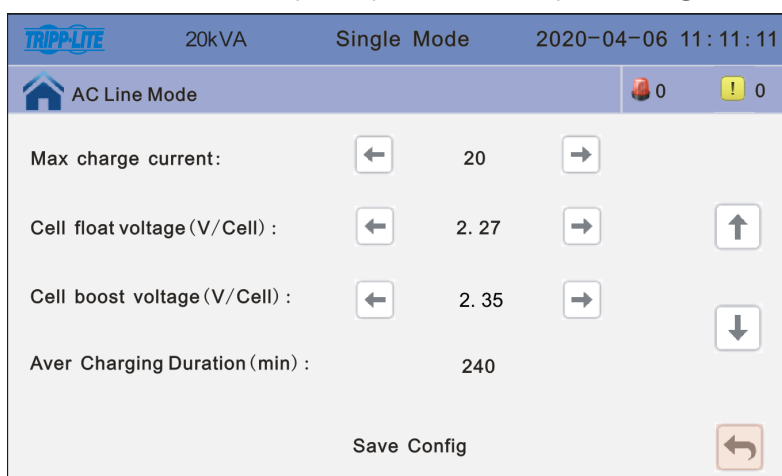


Figura 4-28B: Configuración de la Batería

**Voltaje de la Batería EOD (0.01V/celda):** Fin del voltaje de descarga. El valor puede ser de 1.60 a 1.90. El valor predeterminado es 1.67

**Coefficiente de Compensación de Temperatura en Flotación:** Modifique el voltaje de compensación después de activar el switch. El valor puede ser de 0.001V/celda a 0.007V/celda. El predeterminado es 0.003V/celda.

**Configuración de Carga de Refuerzo:** Carga de elevación desactiva o activa la configuración. El predeterminado es activa.

**Sin Advertencia de Batería:** Cuando se configura en Desactivado, el zumbador no sonará. Configure para activar para advertencias acústicas de la batería. El predeterminado es activado.

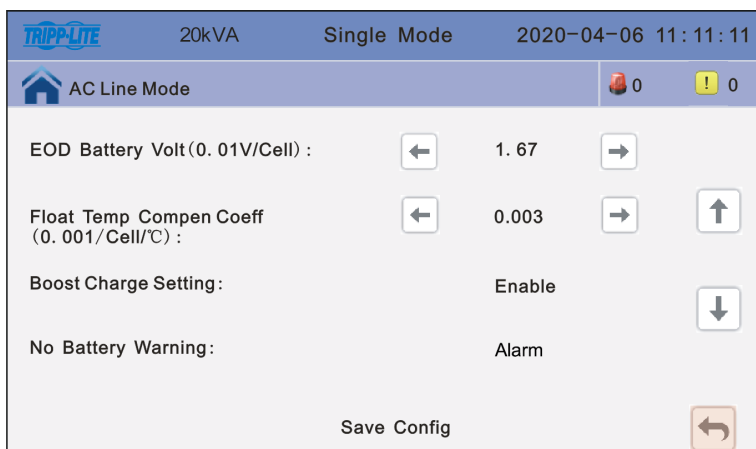


Figura 4-28B: Configuración de la Batería

## 4. Operación

5. Haga clic en el ícono de **Configuración de la Derivación** para modificar los siguientes valores y seleccione la configuración a cambiar / guardar. Haga clic en el ícono **Atrás** para regresar a la ventana anterior o haga clic en el ícono de la **Página de Inicio** para saltar a la página principal.

**Límite Inferior del Voltaje de Derivación (%):** Cuando la diferencia entre el voltaje de derivación y el voltaje especificado excede el umbral inferior para el voltaje de derivación, el sistema determina que el voltaje de derivación es anormal y que la derivación no está disponible. El valor puede ser -10%, -15%, -20%, -30% o -40%. El valor predeterminado es -40%.

**Límite de Voltaje de Derivación (%):** Cuando la diferencia entre el voltaje en derivación y el voltaje especificado excede el umbral superior para el voltaje en derivación, el sistema determina que el voltaje en derivación no es normal y que la derivación no está disponible.

**Notas:**

- Cuando el nivel de voltaje es 120V, el rango de valor es 10%, 15%, 20% y 25% (predeterminado).
- Cuando el nivel de voltaje es 127V, el rango de valor es 10%, 15% y 20% (predeterminado).
- Rango de Monitoreo de frecuencia de derivación: Cuando la diferencia entre la frecuencia de entrada en derivación y la frecuencia especificada es mayor que este valor, el sistema determina que la frecuencia de derivación no es normal y que la derivación no está disponible. El rango de valor es 1%, 2%, 4%, 5% y 10% (predeterminado).

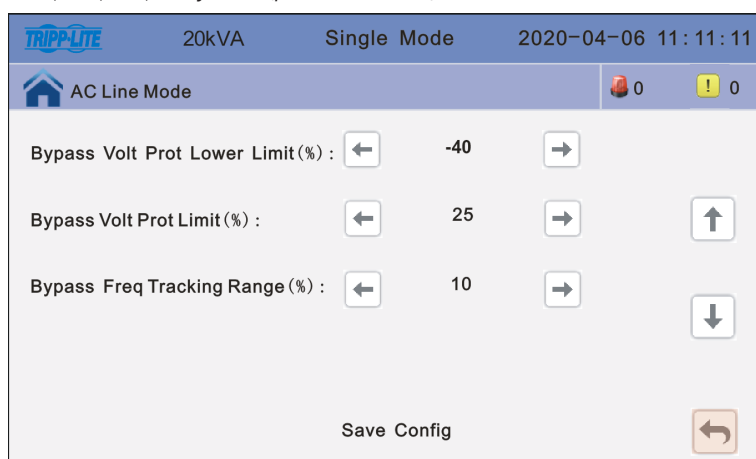


Figura 4-29: Configuración de Derivación

6. Haga clic en el ícono de **Contraseña** para ingresar a la interfaz de configuración de contraseña del usuario. Ingrese la contraseña anterior y la contraseña nueva, luego haga clic en **Guardar Config** para confirmar el cambio. El formato de la contraseña es de seis números. Haga clic en el ícono **Atrás** para regresar a la ventana anterior o haga clic en el ícono de la **Página de Inicio** para saltar a la página principal.

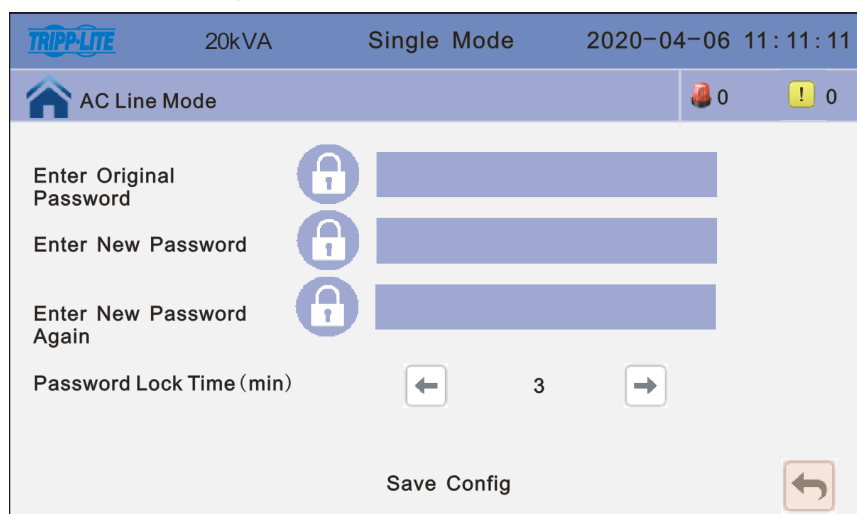


Figura 4-30: Interfaz de Configuración de la Contraseña

## 4. Operación

### 4.3.6.3 Pantalla Mant (Mantenimiento)

Haga clic en el ícono **Mant** para ingresar a la interfaz de mantenimiento, en donde puede descargar registros del historial y realizar correcciones de pantalla y autocomprobaciones de la batería. El Asistente USB se usa para descargar el registro de eventos del UPS. La secuencia de prueba automática de la batería regular se utiliza para configurar la frecuencia para descargar y probar las baterías. La secuencia de corrección de pantalla se usa para actualizar la pantalla del UPS después de actualizar el firmware de la pantalla LCD del UPS. Si tiene otras preguntas acerca de esta pantalla, póngase en contacto con Soporte de Tripp Lite en [tripplite.com/Support](http://tripplite.com/Support).

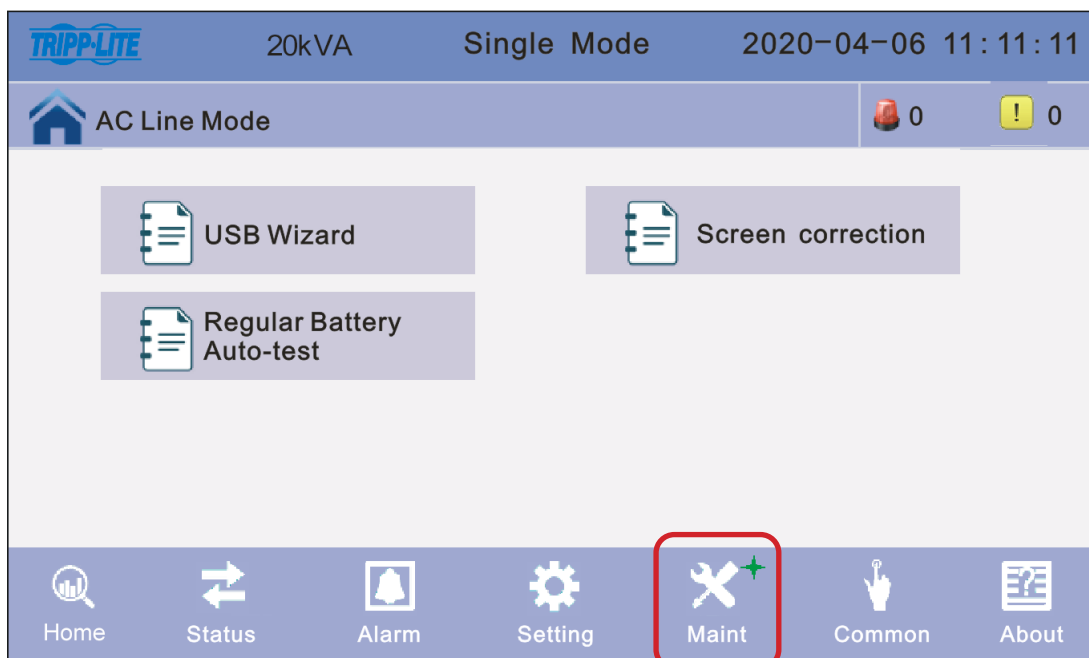


Figura 4-31: Interfaz de Mantenimiento

1. Haga clic en el ícono del **Asistente USB** para ingresar a la interfaz de Salida del Historial para ver los eventos registrados. El UPS puede registrar hasta 4000 eventos.

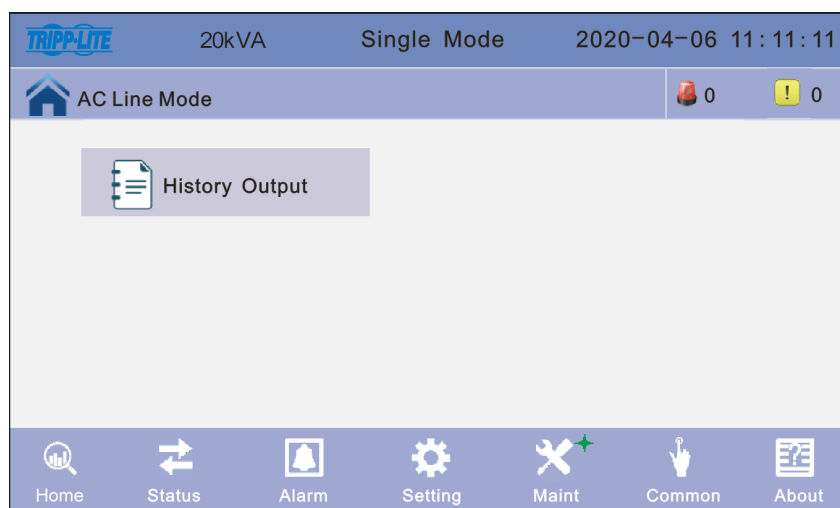


Figura 4-32: Interfaz de Salida del Historial

## 4. Operación

- Haga clic en el ícono de **Regular Auto-diagnóstico de la Batería** para ingresar a la interfaz de auto-diagnóstico de la batería. Puede elegir el momento por día o por semana. El predeterminado es apagado. Haga clic en el ícono **Atrás** para regresar a la ventana anterior o haga clic en el ícono de la **Página de Inicio** para saltar a la página principal.

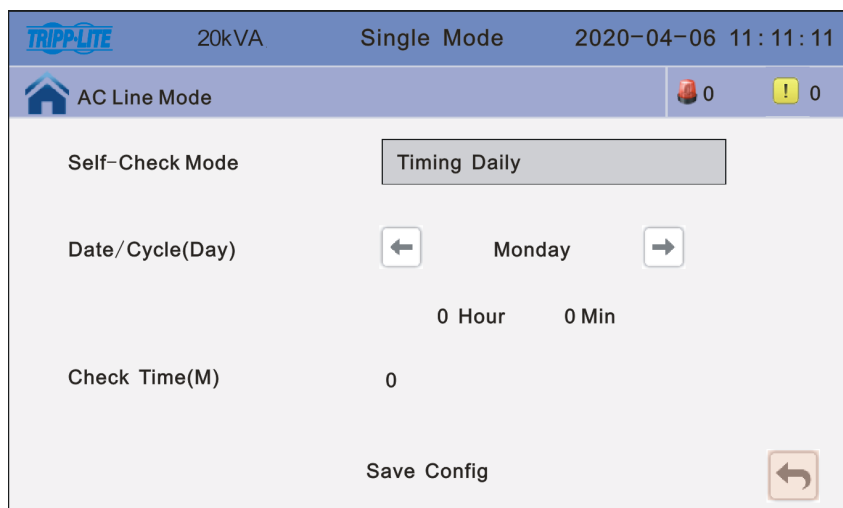


Figura 4-33: Interfaz de Auto-diagnóstico de la Batería

- El ícono de **Corrección de Pantalla** solo se usa después de actualizar el programa de LCD y solo si, después de actualizar el programa del LCD, la posición de la pantalla no es precisa. Por ejemplo, después de una actualización del programa de la LCD, si la pantalla LCD no muestra con precisión la marca “+” en el lugar exacto en donde el usuario está haciendo clic, se recomienda realizar una corrección de pantalla haciendo clic en el ícono de **Corrección de Pantalla**. A continuación, oprima **Confirmar** en la pantalla LCD.

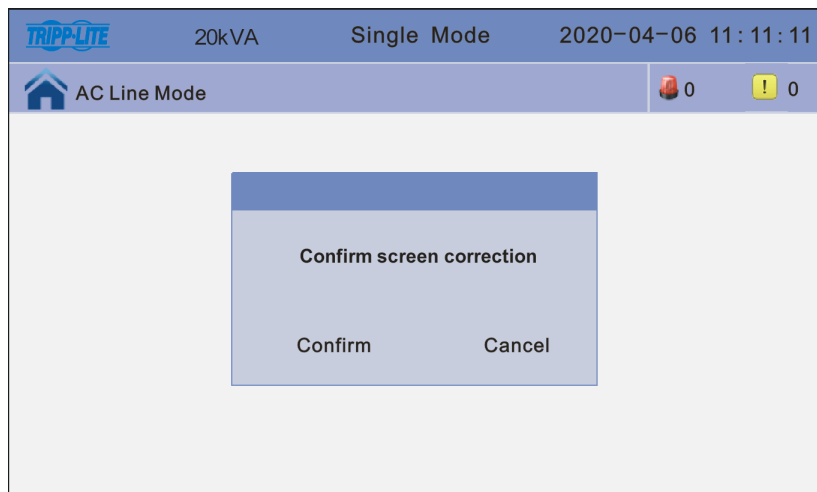


Figura 4-34: Interfaz de Corrección de Pantalla



## 4. Operación

### 4.3.6.4 Pantalla Común

Haga clic en el ícono **Común** para ingresar a la interfaz común, incluyendo parámetros comunes.

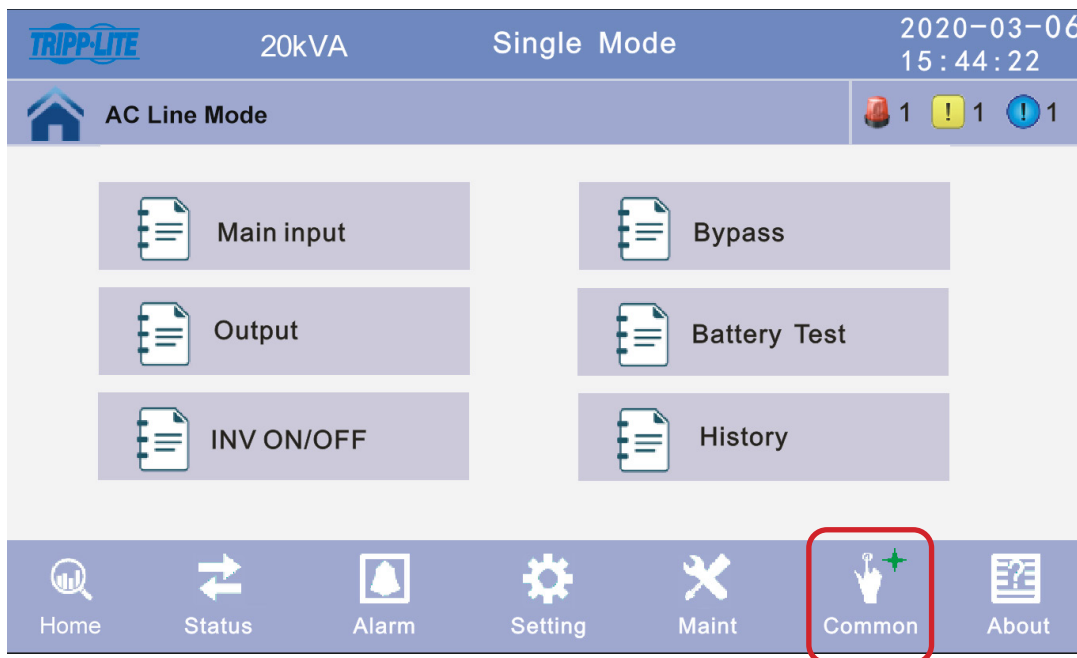


Figura 4-35: Interfaz Común

1. Haga clic en el ícono **INV ON/OFF** para ingresar a la interfaz de configuración, luego seleccione **INV ON / INV OFF**. Haga clic en el ícono **Atrás** para regresar a la ventana anterior o haga clic en el ícono de la **Página de Inicio** para saltar a la página principal.

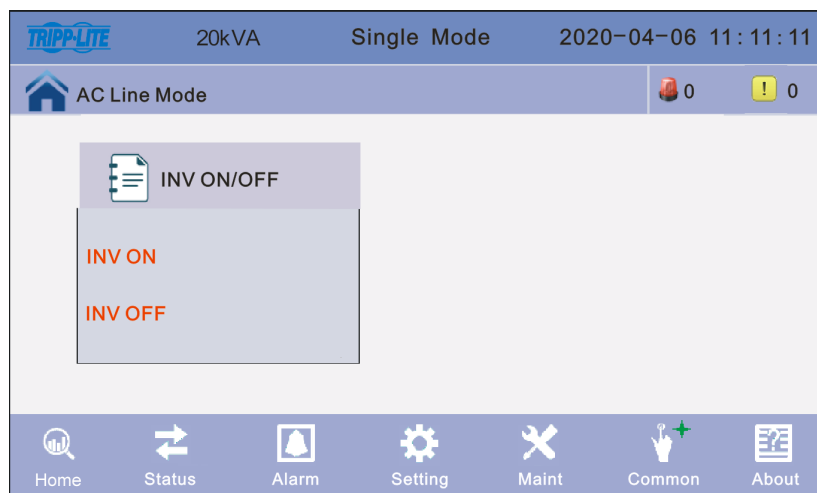


Figura 4-36: Interfaz de encendido y apagado del INV

## 4. Operación

2. Haga clic en el ícono de **Prueba de Batería** para ingresar a la interfaz de configuración de prueba de batería, luego seleccione la configuración de prueba de batería deseada. Haga clic en el ícono **Atrás** para regresar a la ventana anterior o haga clic en el ícono de la **Página de Inicio** para saltar a la página principal.

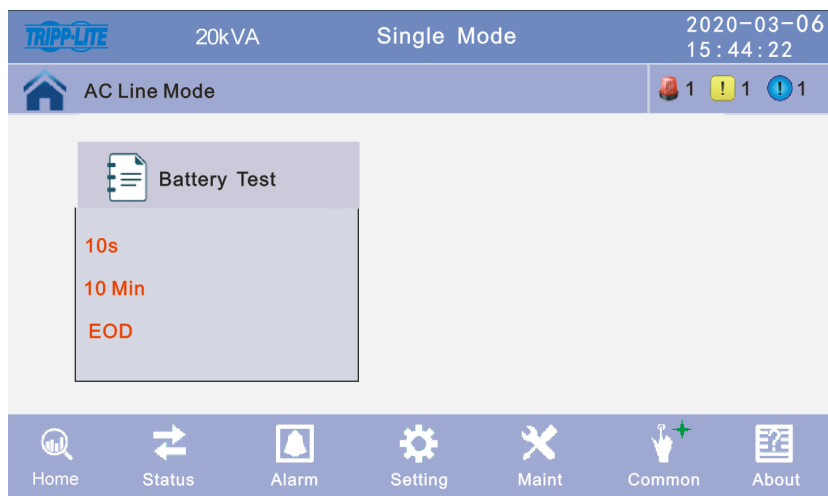


Figura 4-37: Interfaz de Prueba de la Batería

### 4.3.6.5 Acerca de la Pantalla

Haga clic en el ícono de **Acerca de** para ingresar la interfaz de Acerca de. Esta pantalla muestra las versiones actuales del software de LCD, REC e INV.

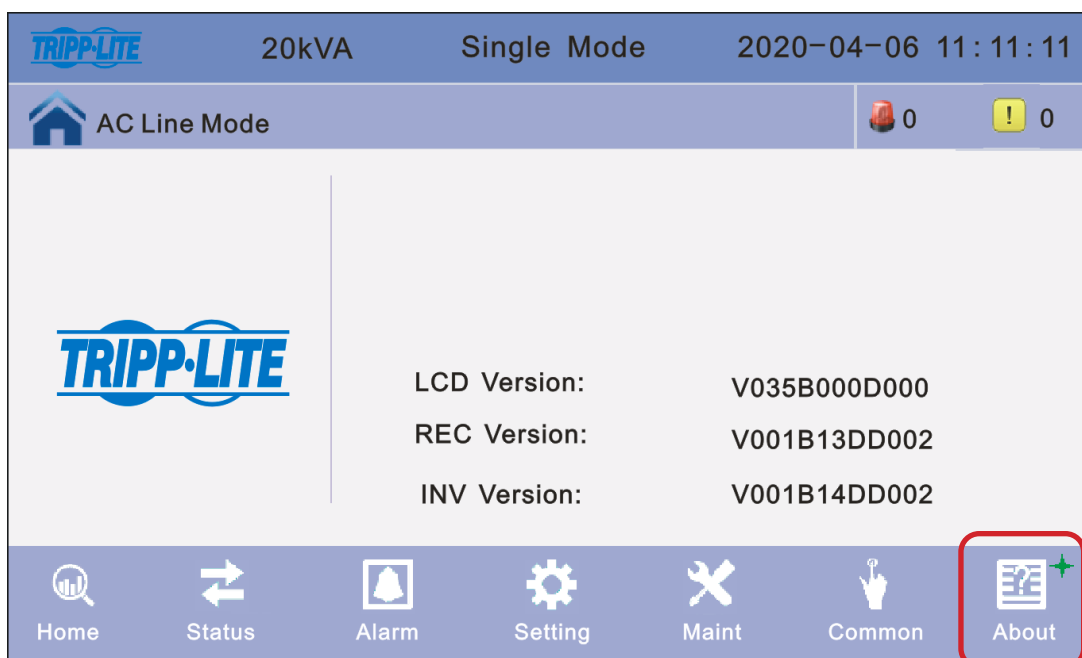


Figura 4-38: Pantalla de Acerca de

## 4. Operación

### 4.4 Mensajes de Pantalla y Alarmas

Esta sección enumera las alarmas acústicas y los LEDs que puede mostrar el UPS durante condiciones normales de operación o falla.

		Alarmas Acústicas		LEDs de Pantalla			
		Estado de la Alarma	Silenciable Encendido y Apagado	Alarma	Derivación	Batería	Inversor
<b>Modos del UPS</b>	Inicialización del UPS	Suena un Bip, Solo Una Vez	No	Destellando/ 0.5 segundos	Destellando/ 0.5 segundos	Destellando/ 0.5 segundos	Destellando/ 0.5 segundos
	Modo en Línea del UPS (Normal)	Sin Bips	Sin Bips	APAGADO	APAGADO	APAGADO	ENCENDIDO
	Modo de Respaldo por Batería del UPS	Bip/ 2 Segundos	Sí	APAGADO	APAGADO	ENCENDIDO	APAGADO
	Modo de Prueba de la Batería del UPS	Sin Bips	Sin Bips	APAGADO	APAGADO	ENCENDIDO	APAGADO
	Modo ECO del UPS	Sin Bips	Sin Bips	APAGADO	ENCENDIDO	APAGADO	APAGADO
	Modo en Espera del UPS	Sin Bips	Sin Bips	APAGADO	APAGADO	APAGADO	APAGADO
	Modo de Derivación Estática del UPS	Sin Bips	Sin Bips	APAGADO	ENCENDIDO	APAGADO	APAGADO
	Modo en Derivación para Mantenimiento del UPS	Sin Bips	Sin Bips	APAGADO	ENCENDIDO	APAGADO	APAGADO
	Modo de Convertidor de Frecuencia del UPS	Sin Bips	Sin Bips	APAGADO	APAGADO	APAGADO	ENCENDIDO
	Sobrecarga (Modo en Derivación o Modo de Respaldo por Batería)	Bip/ 1 Segundo	Sí	APAGADO	ENCENDIDO	ENCENDIDO	APAGADO

		Alarmas Acústicas		LEDs de Pantalla			
		Estado de la Alarma	Silenciable Encendido y Apagado	Alarma	Derivación	Batería	Inversor
<b>Advertencias del UPS</b>	Batería Invertida	Bip/1 Segundo	Sí	ENCENDIDO	APAGADO	APAGADO	APAGADO
	Sin Batería	Bip/1 Segundo	Sí	APAGADO	APAGADO	Destella/1 Segundo	APAGADO
	Falla del Cargador de la Batería P	Bip Continuo	Sí	ENCENDIDO	APAGADO	APAGADO	ENCENDIDO
	Falla del Cargador de la Batería N	Bip Continuo	Sí	ENCENDIDO	APAGADO	APAGADO	ENCENDIDO
	Bajo Voltaje de la Batería	Bip/1 Segundo	Sí	APAGADO	APAGADO	Destella/1 Segundo	APAGADO
	Pre-Advertencia de Batería Baja	Bip/1 Segundo	Sí	APAGADO	APAGADO	Destella/1 Segundo	APAGADO
	Frecuencia de la energía de la Red Pública. Anormal	Bip/ 2 Segundos	Sí	APAGADO	APAGADO	ENCENDIDO	APAGADO
	Voltaje de la energía de la Red Pública. Anormal	Bip/ 2 Segundos	Sí	APAGADO	APAGADO	ENCENDIDO	APAGADO
	Falla de Cableado del Sitio en Derivación	Bip/1 Segundo	Sí	APAGADO	ENCENDIDO	APAGADO	APAGADO
	Derivación No Disponible	Sin Bips	Sin Bips	APAGADO	Destella/1 Segundo	APAGADO	APAGADO
	Sobrecarga en Paralelo	Bip/2 Segundos	Sí	APAGADO	APAGADO	APAGADO	Destella/1 Segundo
	Sobrecorriente de Derivación	Bip/1 Segundo	Sí	APAGADO	Destella/1 Segundo	APAGADO	APAGADO
	Protección contra Retroalimentación	Bip/1 Segundo	Sí	APAGADO	ENCENDIDO	ENCENDIDO	APAGADO

## 4. Operación

		Alarmas Acústicas		LEDs de Pantalla			
		Estado de la Alarma	Silenciable Encendido y Apagado	Alarma	Derivación	Batería	Inversor
Fallas del UPS	Falla del Rectificador	Bip Continuo	Sí	ENCENDIDO	ENCENDIDO	APAGADO	APAGADO
	Sobretensión del Rectificador	Bip/1 Segundo	Sí	ENCENDIDO	ENCENDIDO	APAGADO	APAGADO
	Sobretensión del Inversor	Bip/1 Segundo	Sí	ENCENDIDO	ENCENDIDO	APAGADO	APAGADO
	Sobrecorriente del Rectificador	Bip/1 Segundo	Sí	ENCENDIDO	ENCENDIDO	APAGADO	APAGADO
	Falla de Energía Auxiliar 1	Bip Continuo	Sí	ENCENDIDO	ENCENDIDO	APAGADO	APAGADO
	Falla de Energía Auxiliar 2	Bip Continuo	Sí	ENCENDIDO	ENCENDIDO	APAGADO	APAGADO
	Falla del Tiristor de Entrada	Bip Continuo	Sí	ENCENDIDO	ENCENDIDO	APAGADO	APAGADO
	Falla del Ventilador	Bip Continuo	Sí	ENCENDIDO	ENCENDIDO	APAGADO	APAGADO
	Falla de Energía del Ventilador	Bip Continuo	Sí	ENCENDIDO	ENCENDIDO	APAGADO	APAGADO
	Sobrevoltaje del Bus de CD	Bip Continuo	Sí	ENCENDIDO	ENCENDIDO	APAGADO	APAGADO
	Bajo Voltaje del Bus de CD	Bip Continuo	Sí	ENCENDIDO	ENCENDIDO	APAGADO	APAGADO
	Desequilibrio del Bus de CD	Bip Continuo	Sí	ENCENDIDO	ENCENDIDO	APAGADO	APAGADO
	Falla en el Cableado de la energía de la Red Pública	Bip/1 Segundo	Sí	ENCENDIDO	ENCENDIDO	APAGADO	APAGADO
	Falla del Arranque Suave	Bip Continuo	Sí	ENCENDIDO	APAGADO	APAGADO	APAGADO
	Línea de Neutro de Entrada Faltante	Bip/1 Segundo	Sí	ENCENDIDO	ENCENDIDO	APAGADO	APAGADO
Sobrevoltaje de la Batería	Bip/1 Segundo	Sí	Destella/1 Segundo	ENCENDIDO	APAGADO	APAGADO	

		Alarmas Acústicas		LEDs de Pantalla			
		Estado de la Alarma	Frecuencia de la Alarma	Alarma	Batería	Derivación	Inversor
Fallas del UPS	Falla del Inversor	Bip Continuo	Sí	ENCENDIDO	ENCENDIDO	APAGADO	APAGADO
	Inv. Puente IGBT en Corto	Bip Continuo	Sí	ENCENDIDO	ENCENDIDO	APAGADO	APAGADO
	Corto del Tiristor del Inversor	Bip Continuo	Sí	ENCENDIDO	ENCENDIDO	APAGADO	APAGADO
	Tiristor de Inversor Defectuoso	Bip Continuo	Sí	ENCENDIDO	ENCENDIDO	APAGADO	APAGADO
	Corto del Tiristor de Derivación	Bip Continuo	Sí	ENCENDIDO	ENCENDIDO	APAGADO	APAGADO
	Tiristor de Derivación Dañado	Bip Continuo	Sí	ENCENDIDO	APAGADO	APAGADO	APAGADO
	Comunicación de CAN Falla	Bip/1 Segundo	Sí	ENCENDIDO	APAGADO	APAGADO	APAGADO
	Falla de Compartido de Carga en Paralelo	Bip/1 Segundo	Sí	ENCENDIDO	ENCENDIDO	APAGADO	APAGADO
	Sobrecorriente del IGBT	Bip Continuo	Sí	ENCENDIDO	ENCENDIDO	APAGADO	APAGADO
	Fusible Quemado	Bip Continuo	Sí	ENCENDIDO	ENCENDIDO	APAGADO	APAGADO
	Error de Conexión del Cable	Bip/1 Segundo	Sí	ENCENDIDO	ENCENDIDO	APAGADO	APAGADO
	Falla del Relevador en Paralelo	Bip Continuo	Sí	ENCENDIDO	ENCENDIDO	APAGADO	APAGADO
	Falla de Inicialización	Bip Continuo	Sí	ENCENDIDO	APAGADO	APAGADO	APAGADO
	Inversor Activado Inválido	Bip Continuo	Sí	ENCENDIDO	ENCENDIDO	APAGADO	APAGADO
	Corto en la Salida	Bip/1 Segundo	Sí	Destella/1 Segundo	APAGADO	APAGADO	APAGADO
	Corto de SCR de Derivación A	Bip Continuo	Sí	ENCENDIDO	ENCENDIDO	APAGADO	APAGADO
	Corto de SCR de Derivación B	Bip Continuo	Sí	ENCENDIDO	ENCENDIDO	APAGADO	APAGADO
	Corto de SCR de Derivación C	Bip Continuo	Sí	ENCENDIDO	ENCENDIDO	APAGADO	APAGADO
	Falla del Ventilador del Gabinete	Bip Continuo	Sí	ENCENDIDO	ENCENDIDO	APAGADO	APAGADO
	Comunicación Interna. Error	Bip/2 Segundos	Sí	ENCENDIDO	APAGADO	APAGADO	APAGADO

## 5. Puesta en Marcha del Sistema en Paralelo

Los sistemas en paralelo se deben poner en servicio sólo después de que la configuración esté completa para los sistemas individuales.

El siguiente ejemplo es para puesta en servicio de cuatro unidades en paralelo.

1. Confirme que las conexiones del cable de entrada y salida y la secuencia de fase de entrada sean correctas. Apague el breaker de la batería y mida para asegurar que los voltajes +/- de batería de todos los grupos de baterías sean normales.
2. Conecte el cable en paralelo. Debe ser una conexión de bucle formado.
3. Encienda el breaker de entrada de la unidad 1 y acceda a la interfaz de configuración del LCD para configurar el modo de trabajo en paralelo, ID, número de paralelo y número de redundante. (Consulte la sección **4.3.6.2.**) Establezca la configuración requerida para el número de serie y capacidad de la batería. El nivel de voltaje de salida y el rango de protección de derivación son parámetros predeterminados.
4. Apague el breaker de entrada de la unidad 1 y asegúrese de que el UPS esté apagado. Encienda el breaker de entrada de la unidad 2. Acceda a la interfaz de configuración del LCD para configurar el modo de trabajo en paralelo, ID, número de paralelo y número de redundante. La otra configuración es la misma que la operación del UPS 1.
5. Para la unidad 3 y la unidad 4, los parámetros de operación son todos los mismos que en las unidades 1 y 2.
6. Encienda los breakers de derivación, entrada y salida en todos los UPS en paralelo, a continuación, confirme que todos los parámetros sean correctos. Cada UPS tiene una ID diferente.
7. Encienda todos los breakers de la batería y confirme que los parámetros (V/I) sean normales.
8. Conecte la carga y revise para asegurarse de que las corrientes de salida están equilibradas.
9. Encienda y apague el breaker de alimentación de la red pública para probar que el sistema convertidor de todas las unidades UPS vaya de la red pública a la batería y la función restablecida esté trabajando.

## 6. Solución de Problemas

Si el sistema UPS no está funcionando normalmente, compruebe si hay errores en la instalación, cableado u operación. Si todos estos aspectos se confirman sin problemas, póngase en contacto con soporte técnico en [tripplite.com/support](http://tripplite.com/support) con la siguiente información:

1. Nombre del modelo y número de serie del producto.
2. Descripción del problema con detalles, como información de pantalla LCD, estados de LED, etc.

Lea cuidadosamente este manual del propietario. La siguiente tabla puede ayudarle a resolver el problema con facilidad.

Nº	Problema	Posible razón	Solución
1	La energía de la red pública está conectada, pero el UPS no puede encenderse.	<ul style="list-style-type: none"> <li>• La fuente de alimentación no está conectada</li> <li>• Voltaje de entrada bajo</li> <li>• El switch de entrada del UPS no está encendido</li> </ul>	<ul style="list-style-type: none"> <li>• Mida si el voltaje y la frecuencia de entrada del UPS están dentro de la ventana</li> <li>• Asegúrese de que la entrada del UPS esté encendida</li> </ul>
2	La energía de la red pública es normal pero no enciende el LED de Red Pública y el UPS opera en modo de respaldo por batería	<ul style="list-style-type: none"> <li>• Los breakers de entrada del UPS no están encendidos</li> <li>• El cable de alimentación no está bien conectado</li> </ul>	<ul style="list-style-type: none"> <li>• Encienda el breaker de entrada</li> <li>• Asegúrese de que el cable de alimentación esté conectado firmemente</li> </ul>
3	El UPS no indica una falla, pero no hay voltaje de salida	<ul style="list-style-type: none"> <li>• El cable de salida no está bien conectado</li> <li>• Breaker de salida no encendido</li> </ul>	<ul style="list-style-type: none"> <li>• Asegúrese de que el cable de salida esté bien conectado;</li> <li>• Encienda el breaker de salida</li> </ul>
4	El LED de la energía de la red pública está destellando	El voltaje de la energía de la red pública excede el rango de entrada del UPS	Si el UPS opera en modo de respaldo por batería, preste atención al tiempo de respaldo restante necesario para su sistema
5	El LED de la batería está destellando, pero no hay voltaje de carga y corriente	<ul style="list-style-type: none"> <li>• El breaker de la batería no está encendido</li> <li>• Las baterías están dañadas</li> <li>• La batería está conectada al revés</li> <li>• El número y capacidad de la batería no están configurados correctamente</li> </ul>	<ul style="list-style-type: none"> <li>• Encienda el breaker de la batería</li> <li>• Si las baterías están dañadas, reemplace todo el grupo de baterías</li> <li>• Conecte correctamente los cables de la batería</li> <li>• Vaya a la configuración del LCD para el número y capacidad de la batería y configure los datos correctos</li> </ul>
6	El zumbador suena cada 0.5 segundos y el LCD muestra "sobrecarga de salida"	Sobrecarga	Retire algo de la carga
7	El zumbador suena a bips largos, el LCD muestra el código de falla 29	La salida del UPS está en corto circuito	Asegúrese de que la carga no esté en corto circuito, luego reinicie el UPS
8	El UPS sólo trabaja en modo en derivación	El UPS está configurado en modo ECO	Configure el modo de trabajo del UPS en Modo Normal
9	No se puede encender	<ul style="list-style-type: none"> <li>• El switch de la batería no está correctamente cerrado</li> <li>• El fusible de la batería no está abierto</li> <li>• La batería está baja</li> <li>• La cantidad de baterías está configurada incorrectamente</li> <li>• El breaker en el panel posterior no está en la posición de encendido [ON]</li> </ul>	<ul style="list-style-type: none"> <li>• Cierre el switch de la batería</li> <li>• Cambie el fusible</li> <li>• Recargue la batería</li> <li>• Encienda el UPS con CA para establecer la cantidad correcta de baterías</li> <li>• Encienda el breaker de encendido</li> </ul>
10	El zumbador suena continuamente y el LCD indica los códigos de falla 1, 3, 5, 9, 15, etc.	El UPS está descompuesto	Solicite a su agente local la reparación

## 7. Comunicaciones

### 7.1 Tarjeta para Administración de Red

La tarjeta **WEBCARDLX** de Tripp Lite es un accesorio opcional disponible para todos los modelos. La tarjeta WEBCARDLX permite monitoreo y control remotos a través de varias interfaces: HTML5 web mediante HTTP(S), menú / CLI mediante SSH / Telnet y SNMP para integración con plataformas de administración de software, como DCIM. Con la tarjeta WEBCARDLX en su UPS, combinada con PDU controlables habilitados para red de Tripp Lite, puede administrar la energía en toda su instalación y recibir alertas automatizadas para identificar los problemas antes de que causen tiempo muerto.

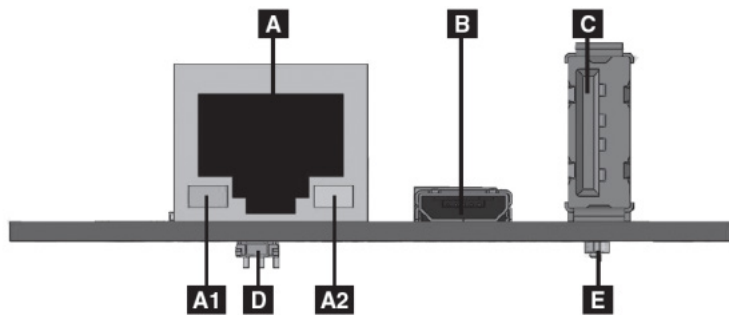
La tarjeta **WEBCARDLX** soporta además una familia de sensores para monitorear en forma remota las condiciones ambientales. Cada tarjeta proporciona opciones para monitoreo de hasta tres ubicaciones individuales. Tripp Lite ofrece el software gratuito del Sistema de Administración de Redes PowerAlert®. Más información y descarga en [tripplite.com/products/power-alert](http://tripplite.com/products/power-alert).



#### 7.1.1 Características de la Tarjeta WEBCARDLX

La siguiente es una introducción a las características de la tarjeta WEBCARDLX de Tripp Lite. Para ver la descripción completa de la funcionalidad de la tarjeta, descargue su Manual del Propietario en [tripplite.com/support](http://tripplite.com/support).

- A** Puerto Ethernet: El conector RJ45 conecta la tarjeta WEBCARDLX a la red usando un cable patch estándar de Ethernet. El LED de Enlace **A1** y el LED de Estado **A2** indican condiciones de operación.
- B** Puerto Micro-USB: use este puerto para conectar directamente con una computadora que ejecute un programa de emulación de terminal.
- C** Puerto USB Type A: Use este puerto para conectar un módulo ENVIROSENSE 2 de Tripp Lite (E2MT, E2MTDO, E2MTDI, E2MTHDI) para una variedad de opciones de monitoreo y control ambiental. Para más información acerca de estos módulos, consulte [tripplite.com](http://tripplite.com).  
*Nota: no conecte un teclado o mouse a este puerto.*
- D** Botón de restauración: el botón de restauración está empotrado, accesible a través de un pequeño orificio debajo el puerto de red RJ45.
- E** LED de Estado: Muestra el estado de la tarjeta WEBCARDLX.



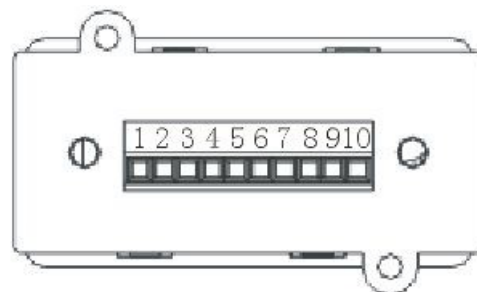
### 7.2 Tarjeta de Relevador

Una terminal de 10 pines soporta una tarjeta de relevador para proporcionar funciones de derivación, falla de la energía de la red pública, encendido del inversor, batería baja, falla del UPS, alarma del UPS y apagado del UPS.

La tarjeta de comunicación por relevador contiene seis salidas de contacto seco y una entrada seca. Las entradas y salidas están programadas de fábrica de acuerdo con las funciones enumeradas en la siguiente tabla.

#### Contactos de Relevador (Tarjeta de Comunicación)

Pin	Descripción de la Función	Entrada o Salida
1	Falla de la Energía de la Red Pública	Salida
2	Batería Baja	
3		
4	Derivación Activada	
5	Falla del UPS	
6	Inversor Encendido	
7	Reasumir Alarma	
8	Común	Entrada (5V a 12V)
9	Apagado Remoto +	



## 7. Comunicaciones

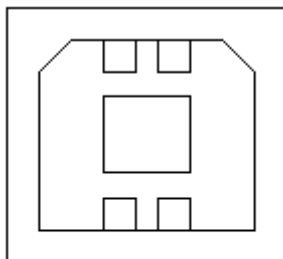
### 7.3 Definición de Puerto de Comunicación USB



**Notas:**

- Las interfaces USB, RS-232 y RS-485 no pueden usarse simultáneamente. Solo puede usarse una interfaz a la vez.
- Estos tres puertos de comunicación usan un protocolo MODBUS. Consulte el Manual del Propietario del MODBUS Trifásico S3M10-20kVA. El manual de MODBUS puede descargarse de la página específica del modelo de UPS S3M10-20K en [tripplite.com](http://tripplite.com).

El puerto de comunicación USB es un conector USB Type-B hembra.



#### Conexiones entre el puerto USB de la computadora conectada y el puerto USB del sistema UPS

Puerto USB de la Computadora	Puerto USB del UPS	Descripción
Pin 1	Pin 1	Computadora: +5V
Pin 2	Pin 2	Computadora: Señal DPLUS
Pin 3	Pin 3	Computadora: Señal DMINUS
Pin 4	Pin 4	Conexión a tierra de la señal

#### Funciones Disponibles del Puerto USB

- Monitoree el estado de energía del UPS
- Monitoree la información de alarma del UPS
- Monitoree los parámetros de operación del UPS
- Configuración de activado y desactivado de temporizado
- Comunicación uno a uno, UPS a computadora, a una distancia inferior a 1.5 m

#### Formato de Datos de Comunicación de USB

- Tasa de baudios: 9600 bps
- Longitud del Byte: 8 bits
- Bit de extremo: 1 bit
- Comprobación de paridad: Ninguno



## 7. Comunicaciones

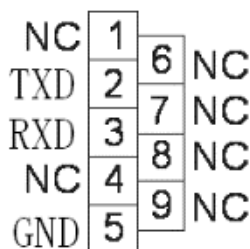
### 7.4 Definición del Puerto de Comunicación RS-232



**Notas:**

- Las interfaces USB, RS-232 y RS-485 no pueden usarse simultáneamente. Solo puede usarse una interfaz a la vez.
- Estos tres puertos de comunicación usan un protocolo MODBUS. Consulte el Manual del Propietario del MODBUS Trifásico S3M10-20kVA. El manual de MODBUS puede descargarse de la página específica del modelo de UPS S3M10-20K en [tripplite.com](http://tripplite.com).

El puerto RS-232 es un conector macho.



#### Conexión Entre el Puerto RS-232 de la Computadora Conectada y el Puerto RS-232 del Sistema UPS

Puerto RS-232 de la Computadora	Puerto RS-232 del UPS	
Pin 2	Pin 2	UPS envía, PC recibe
Pin 3	Pin 3	UPS envía, PC recibe
Pin 5	Pin 5	Tierra

#### Funciones Disponibles en el Puerto RS-232

- Monitoree el estado de energía del UPS
- Monitoree los datos de la alarma del UPS
- Monitoree los parámetros de operación del UPS
- Configuración de activado y desactivado de temporizado
- Comunicación uno a uno, UPS a computadora, a una distancia inferior a 5 m

#### Formato de datos de comunicación RS-232

- Tasa de baudios: 9600 bps
- Longitud del Byte: 8 bits
- Bit de extremo: 1 bit
- Comprobación de paridad: Ninguno

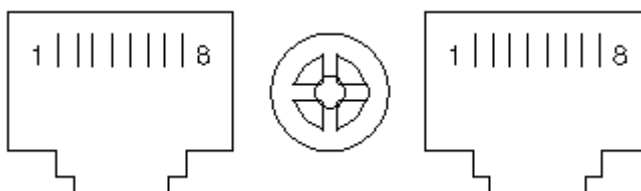
### 7.5 Definición de Puerto de Comunicación RS-485



**Notas:**

- Las interfaces USB, RS-232 y RS-485 no pueden usarse simultáneamente. Solo puede usarse una interfaz a la vez.
- Estos tres puertos de comunicación usan un protocolo MODBUS. Consulte el Manual del Propietario del MODBUS Trifásico S3M10-20kVA. El manual de MODBUS puede descargarse de la página específica del modelo de UPS S3M10-20K en [tripplite.com](http://tripplite.com).

El puerto RS-485 es un conector hembra.



## 7. Comunicaciones

### Conexión Entre el Puerto RS-485 del Dispositivo Conectado y el Puerto RS-485 del Sistema UPS

Dispositivo (RJ-45)	UPS (RJ-45)	Descripción
Pin 1/5	Pin 1/5	485+ "A"
Pin 2/4	Pin 2/4	485 - "B"
Pin 7	Pin 7	+12V CD
Pin 8	Pin 8	Tierra

#### Funciones Disponibles del Puerto RS-485

- Monitoree el estado de energía del UPS.
- Monitoree la información de la alarma del UPS.
- Monitoree los parámetros de operación del UPS.
- Configuración de activado y desactivado de temporizado.
- Monitoreo de temperatura del entorno de la batería.
- Modulación de voltaje de carga dependiendo de la temperatura de las baterías

#### Formato de Datos de Comunicación de RS-485

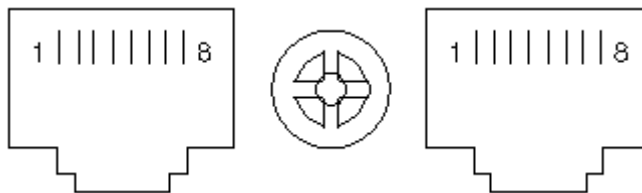
- Tasa de baudios: 9600 bps
- Longitud del Byte: 8 bits
- Bit de extremo: 1 bit
- Comprobación de paridad: Ninguno

### 7.6 Definición de Puerto de Comunicación BAT\_T



**Nota:** Las interfaces USB, RS-232 y RS-485 no pueden usarse simultáneamente. Solo puede usarse una interfaz a la vez.

El puerto BAT\_T es un conector hembra. El termostato del gabinete de baterías externas usado para compensación de carga de temperatura puede conectarse a este puerto.



### Conexión entre el Puerto RJ45 del Sensor de Temperatura y el Puerto RJ45 del UPS

Sensor de Temperatura (RJ45)	UPS BAT_T (RJ45)	Descripción
Pin 1/5	Pin 1/5	TX
Pin 2/4	Pin 2/4	RX
Pin 7	Pin 7	12V
Pin 8	Pin 8	Tierra

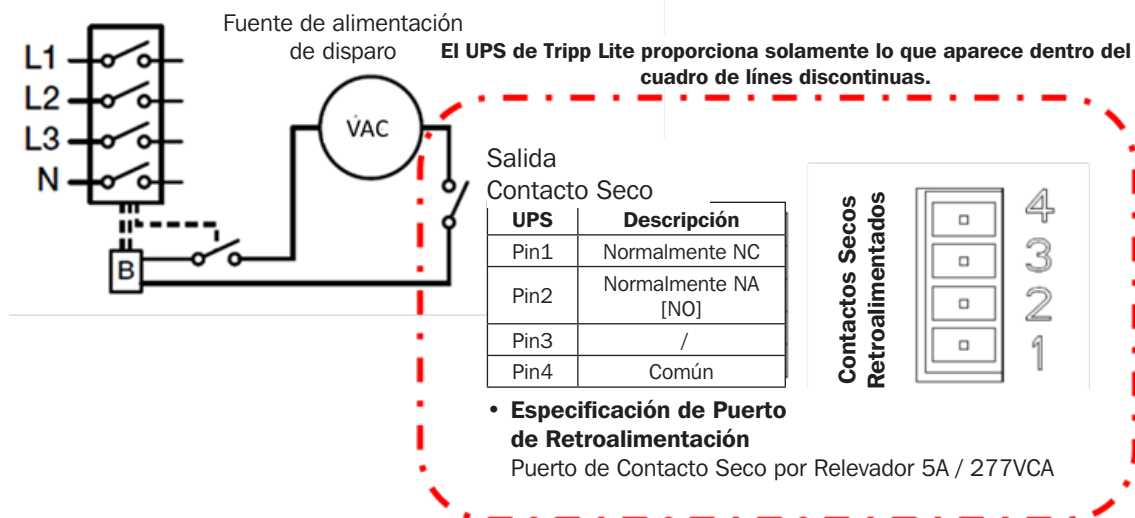
#### Funciones Disponibles del Puerto BAT\_T

- Monitoreo de temperatura del entorno de la batería
- Modulación de voltaje de carga dependiendo de la temperatura de las baterías

## 7. Comunicaciones

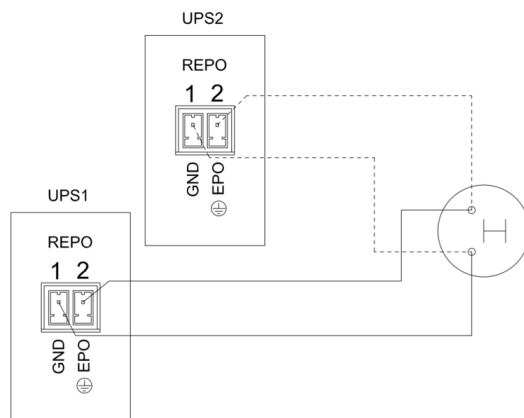
### 7.7 Retroalimentación: Puerto de Contactos Secos por Relevador

El puerto de retroalimentación es un conector macho.



### 7.8 Conexión de REPO

Diagrama de Conexión



Conexión entre el botón y el puerto REPO del UPS

Botón	UPS REPO	Descripción
Pin 1	Pin 1	EPO
Pin 2	Pin 2	Tierra

- Un switch de parada de emergencia remota (señal de contacto seco y “normalmente cerrado”, no incluido) puede instalarse en una ubicación remota y conectarse mediante cables simples al conector de REPO.
- El switch remoto puede conectarse a varios sistemas UPS en una arquitectura en paralelo, permitiendo al usuario detener todas las unidades a la vez.
- El contacto del REPO debe abrirse por al menos 3 segundos para activarse.

## 8. Almacenamiento y Mantenimiento

### 8.1 Almacenamiento

El UPS debe almacenarse en un ambiente limpio y seguro con una temperatura inferior a 40 °C [104 °F] y una humedad relativa inferior al 90% (sin condensación). De ser posible, almacene el UPS en su contenedor de embarque original. Si la instalación se realiza a más de 6 meses de haber recibido el sistema UPS, recargue las baterías por al menos 24 horas antes de usarlo. No confíe en el UPS para proporcionar energía de respaldo hasta que las baterías estén completamente cargadas.

#### Almacenamiento del UPS y Baterías

Al almacenar el UPS con baterías autónomas y gabinetes opcionales, deben cumplirse los siguientes requerimientos:

- Asegúrese de que las baterías estén desconectadas del UPS y todos los breakers estén en la posición "off".
- Evite temperaturas y humedad extremas. Para maximizar la vida de la batería, la temperatura de almacenamiento recomendada es de 15 °C [59 °F] a 25 °C [77 °F].
- El UPS y todas las baterías deben recargarse cada 6 a 8 meses.
- Es recomendable que las baterías se carguen por 48 horas mientras están almacenadas.

**Nota:** Si el sistema UPS permanece apagado por un período prolongado, deberá encenderse periódicamente para permitir recargar las baterías. Debe encenderse el UPS y recargarse las baterías por un período de al menos 24 horas ininterrumpidas cada 3 meses. El no cargar las baterías periódicamente puede causar un daño irreversible a la batería.

### 8.2 Mantenimiento

Tripp Lite recomienda realizar mantenimiento preventivo anual en este producto para garantizar su confiabilidad y durabilidad. Se requieren técnicos certificados para llevar a cabo el arranque, mantenimiento preventivo y reparaciones para validar todas las garantías. Para más información, póngase en contacto con su representante o distribuidor local o envíe un correo electrónico a sales@tripplite.com.

#### Mantenimiento General del UPS y la Batería

El área alrededor del UPS debe mantenerse limpia y libre de polvo.

Para una vida completa de la batería, mantenga el UPS a una temperatura ambiente de 25 °C [77 °F].

**Nota:** La vida útil varía, dependiendo de la frecuencia de uso y temperatura ambiente. Las baterías usadas más allá de la vida útil esperada a menudo tendrán autonomías severamente reducidas. Reemplace las baterías al menos cada 5 años para mantener la unidad funcionando a su máxima eficiencia.

- El sistema UPS opera con voltaje peligroso. Las reparaciones deben ser realizadas solamente por técnicos certificados de Tripp Lite.
- Incluso después de que la unidad sea desconectada de la energía de la red pública, los componentes potencialmente peligrosos dentro del UPS permanecen conectados a los módulos de baterías.
- Antes de llevar a cabo cualquier tipo de servicio y/o mantenimiento, desconecte las baterías y verifique que no haya corriente y no exista voltaje peligroso en las terminales de los condensadores de alta capacidad, como los condensadores del BUS.
- Solo técnicos calificados que tomen las medidas precautorias requeridas pueden reemplazar las baterías y supervisar las operaciones. Personas no autorizadas no deben realizar mantenimiento de las baterías.
- Verifique que no haya voltaje entre las terminales de la batería y la conexión a tierra esté presente antes de un mantenimiento o reparación. El circuito de la batería no esté aislado del voltaje de entrada. Pueden originarse voltajes peligrosos entre las terminales de la batería y la tierra.
- Las baterías pueden causar una descarga eléctrica y tienen una alta corriente de cortocircuito. Retire todos los relojes de pulsera, anillos y otros objetos metálicos personales antes del mantenimiento o reparación y use solamente herramientas con puños y manijas aislados para mantenimiento o reparación.
- Al reemplazar las baterías, instale el mismo número y el mismo tipo y capacidad de baterías.
- No intente desechar las baterías al fuego. Puede originarse una explosión de la batería. Las baterías deben ser desechadas apropiadamente de acuerdo con los reglamentos locales.
- No abra ni destruya las baterías. Los electrolitos que escapan pueden ser tóxicos y pueden causar lesiones a la piel y ojos.
- Para evitar riesgos de incendio, reemplace el fusible solo con el mismo tipo y amperaje.
- No desarme el sistema UPS.

## 8. Almacenamiento y Mantenimiento

### 8.3 Batería

Los sistemas UPS de la Serie S3M de Tripp Lite usan baterías de plomo selladas. La vida de la batería depende de la temperatura de operación, el uso y la frecuencia de carga y descarga. Ambientes de alta temperatura y alta frecuencia de carga y descarga acortarán rápidamente la vida de la batería. Observe las sugerencias siguientes para asegurar una vida normal de la batería.

1. Mantenga la temperatura de operación entre 0 °C y 40 °C [32 °F y 104 °F].
2. Para rendimiento y vida óptimos de la batería, opere a 25 °C [77 °F] regulados.
3. Cuando el UPS necesite ser guardado por un período prolongado, las baterías deben recargarse cada tres meses por no menos de 24 horas cada vez.

### 8.4 Ventilador

Las temperaturas altas acortan la vida del ventilador. Cuando el UPS esté funcionando, asegúrese de que todos los ventiladores trabajen normalmente y asegúrese de que el aire pueda moverse libremente alrededor y a través del UPS. Si no es así, reemplace los ventiladores.

**Nota:** Para más información de mantenimiento, póngase en contacto con el Soporte Técnico de Tripp Lite. No realice el mantenimiento si no está calificado para ello.

# 9. Especificaciones

Modelo	S3M10K1B	S3M10K2B	S3M10K3B	S3M10K-NIB	S3M15K2B	S3M15K3B	S3M15K-NIB	S3M20K3B	S3M20K-NIB
<b>VISTA GENERAL</b>									
Capacidad	10 kVA/10 kW	10 kVA/10 kW	10 kVA/10 kW	10 kVA/10 kW	15 kVA/15 kW	15 kVA/15 kW	15 kVA/15 kW	20 kVA / 20 kW	20 kVA / 20 kW
Topología	Doble Conversión 100% en Línea; Voltaje y Frecuencia Independiente (VFI)								
<b>ENTRADA</b>									
Voltaje y Fase	208V / 220V de Voltaje de Línea (120V / 127V Entre Fase y Neutro); Trifásico, Neutro y Tierra								
Rango de Voltaje	-20%, +25% (166V ~ 260V o 176V ~ 275V de Voltaje de Línea) al 100% de Carga; -40%, +25% (125V ~ 260V o 132V ~ 275V de Voltaje de Línea) al <50% de Carga								
Frecuencia (Rango)	50Hz / 60Hz, seleccionable (40Hz ~ 70Hz)								
Factor de Potencia	≥ 0.99 (Carga Lineal)								
Entrada Doble de CA	Sí								
Distorsión Armónica	< 2% de THDi (100% de carga)								
<b>SALIDA</b>									
Voltaje y Fase	208V / 220V de Voltaje de Línea (120V / 127V Entre Fase y Neutro); Trifásico, Neutro y Tierra								
Regulación de Voltaje de CA	±1% del Nominal (Modo de Doble Conversión, Modo de Convertidor o Modo de Respaldo por Batería); ±10% del Nominal (Modo ECO)								
Factor de Potencia	1.0 (Factor de Potencia de Salida de Uno)								
Frecuencia	Seleccionable ±1%, ±2%, ±4%, ±5%, ±10% de Entrada (Predeterminado: ±10%)								
Regulación de Frecuencia	±0.1 Hz (Modo de Convertidor o Modo de Respaldo por Batería)								
Sobrecarga (Modo de CA)	Carga ≤ 110%=1 hora; Carga ≤ 125%=10 min; Carga ≤ 150%=1 min; Carga >150%=Derivación								
Factor de Cresta	3:1 Máximo								
Distorsión Armónica	≤ 1% THD (100% de Carga Lineal); ≤ 3% THD (100% de Carga No Lineal)								
Forma de Onda	Onda Sinusoidal Pura								
Tiempo de Transferencia	0 ms (Línea ↔ Batería e Inversor ↔ Derivación)								
Capacidad en Paralelo	Conexión en Paralelo de Hasta 4 Unidades para Capacidad Aumentada o Redundancia N+N								
<b>DERIVACIÓN</b>									
Rango de Voltaje de la Derivación	Límite Superior: +10%, +15%, +20% o +25% (Predeterminado: +20%); Límite Inferior: -10%, -20%, -30% o -40% (Predeterminado: -30%)								
Rango de Frecuencia de la Derivación	±10% (Ajustable)								
<b>EFICIENCIA</b>									
Modo en Línea de CA	Hasta 94%								
Modo ECO	Hasta 98%								
<b>BATERÍA Y CARGADOR</b>									
Tipo de Batería	12V Libre de Mantenimiento Sin Derrames VRLA AGM / GEL								
Voltaje de CD de Aceptación	±120V CD (240V CD) (Nominal)								
Configuración de la Batería	Solo Internas	Solo Internas	Solo Internas	Sólo Externas*	Solo Internas	Solo Internas	Sólo Externas*	Solo Internas	Sólo Externas*
Cantidad de Baterías Internas	20 x 9 Ah	40 x 9 Ah	60 x 9 Ah	Ninguna*	40 x 9 Ah	60 x 9 Ah	Ninguna*	60 x 9 Ah	Ninguna*
Tiempo de Autonomía (100% de Carga) (est.)	4 min	9 min	20 min	27 ~ 88 min*	6 min	13 min	15 ~ 55 min*	7 min	10 ~ 38 min*
Autonomía (50% de Carga) (est.)	10 min	22 min	45 min	60 ~ 212 min*	13 min	27 min	35 ~ 125 min*	16 min	27 ~ 88 min*
Módulos de Baterías Externas (BP) / Gabinete para Modelos de UPS sin Baterías Internas	Refiérase a la sección <b>3.9.1 Compatibilidad del UPS y Gabinete de Baterías</b>								
Tiempo de Recarga al 90%	≤ 8 h	≤ 8 h	≤ 8 h	Varía con BP	≤ 8 h	≤ 8 h	Varía con BP	≤ 8 h	Varía con BP
Corriente de Carga (Predeterminada)	1 – 20A (1.35A)	1 – 20A (2.7A)	1 – 20A (4.05A)	1 – 20A (2.7A)	1 – 20A (2.7A)	1 – 20A (4.05A)	1 – 20A (2.7A)	1 – 20A (4.05A)	1 – 20A (2.7A)
<b>AMBIENTE</b>									
Temperatura de Operación	0 °C ~ 40 °C (≤ 25 °C para vida útil óptima de la batería).								
Temperatura de Almacenamiento	0 °C ~ 35 °C (UPS con baterías.); -15 °C ~ 60 °C (UPS sin baterías).								
Humedad de Operación	0% ~ 95% (Sin Condensación)								
Altitud de Operación	< 1000 m (Reducción de la potencia de salida en 1% por cada 100 m por encima de 1000 m)								
Ruido Audible a 1 m	< 58 dBA	< 58 dBA	< 58 dBA	< 58 dBA	< 58 dBA	< 58 dBA	< 58 dBA	< 60 dBA	< 60 dBA
Disipación de Calor (100% de carga)	2457 BTU / h			3686 BTU / h			4915 BTU / h		
<b>ADMINISTRACIÓN</b>									
Panel de Control	Gran Pantalla Táctil Multilingüe de 12.7 cm [5"] con LEDs Complementarios								
Comunicaciones	Tarjeta de Administración de Red SNMP (WEBCARDLX)**; Ranura para Tarjeta de E y S por Relevador, EPO/REPO, Sonda de Temp, MODBUS RTU mediante Puertos RS-485, RS-232 y USB								
<b>ESTÁNDARES</b>									
Seguridad	UL1778:2014 (5ª Edición); CAN/CSA-C22.2 N° 107.3-14 (3ª edición)								
EMC / EMI	FCC Parte 15B Clase A								
Adicional	ENERGY STAR 2.0, RETIE, Capacidad de Protección de Entrada IP20; RoHS; probado para ISTA 3B/Vibración, Impacto y Volcadura								
<b>FÍSICO</b>									
Dimensiones de la Unidad (Al x An x Pr)	868 x 250 x 900 mm [34.2" x 9.8" x 35.4"]								
Peso de la Unidad	136 kg [300 lb]	187 kg [412 lb]	237 kg [522 lb]	81 kg [179 lb]	188 kg [414 lb]	238 kg [525 lb]	82 kg [181 lb]	239 kg [527 lb]	83 kg [183 lb]

\* Las autonomías dependen del modelo de gabinete de baterías externas que se esté usando. \*\* La tarjeta **WEBCARDLX** de Tripp Lite es un accesorio opcional disponible para todos los modelos.

# 10. Garantía

## Garantía Limitada de Fábrica para Productos UPS Trifásicos de Tripp Lite

El vendedor garantiza el producto, si se usa de acuerdo con las especificaciones del fabricante, como se detalla en el manual del propietario y todas las instrucciones aplicables y como verificado por el servicio de puesta en servicio del UPS de Tripp Lite, de estar libre de defectos en material y mano de obra. Esta garantía se aplica por un período de:

Tipo de Producto	Región	
	Estados Unidos Continental y Canadá	Mercados Internacionales (Excluyendo EE UU y Canadá)
Electrónica del UPS y Baterías Internas del UPS	Dos años desde la puesta en servicio del UPS de Tripp Lite o 30 meses a partir del envío, lo que sea menor.	Dos años desde la puesta en servicio del UPS de Tripp Lite o 30 meses a partir del envío, lo que sea menor.
Baterías Externas del UPS	Un año desde la puesta en servicio del UPS de Tripp Lite o 18 meses a partir del envío, lo que sea menor.	Un año desde la puesta en servicio del UPS de Tripp Lite o 18 meses a partir del envío, lo que sea menor.

Si el producto resulta defectuoso en material o mano de obra dentro de ese período, el vendedor reparará o reemplazará las piezas defectuosas sin costo alguno.

El producto debe ser puesto en servicio por un técnico de servicio autorizado y aprobado de Tripp Lite y la documentación aplicable de puesta en servicio o mantenimiento debe ser enviada a y aprobada por Tripp Lite para que esta garantía sea válida. Si el producto no ha sido puesto en servicio por un técnico de servicio autorizado de Tripp Lite, pueden proporcionarse piezas de reemplazo elegibles, pero se aplicarán cargos por piezas y mano de obra no elegibles en función del precio de piezas publicado de Tripp Lite y las tarifas de tiempo y material.

Esta garantía no se aplica a baterías no suministradas por Tripp Lite o cualquier otro componente no suministrado por Tripp Lite. Esta garantía no es transferible y se aplica únicamente al usuario final original. Esta garantía no se aplica a otras extensiones de garantía o contratos de servicio de Tripp Lite, ya que esos productos llevan sus propios términos. El servicio bajo esta garantía sólo puede obtenerse comunicándose con el servicio al cliente de Tripp Lite:

- Para EE UU y Canadá: escriba al Servicio al Cliente de Tripp Lite, 1111 W. 35th St., Chicago, IL 60609; llame al +1.773.869.1234, envíe un correo electrónico a [techsupport@tripplite.com](mailto:techsupport@tripplite.com) o visite [tripplite.com/support/help](http://tripplite.com/support/help)
- Para todas las demás regiones: llame al +1.773.869.1313 o envíe un correo electrónico a [intlservice@tripplite.com](mailto:intlservice@tripplite.com)

ESTA GARANTÍA NO SE APLICA AL DESGASTE NORMAL O A DAÑOS QUE RESULTEN DE UNA INSTALACIÓN INADECUADA, REPARACIÓN, MODIFICACIÓN, PUESTA EN MARCHA, MANTENIMIENTO O PRUEBA POR PERSONAL NO DESIGNADO DE TRIPP LITE; ACCIDENTE; USO INDEBIDO; NEGLIGENCIA; VOLTAJE ELÉCTRICO O CONEXIÓN INCORRECTOS O INADECUADOS; CONDICIONES DE OPERACIÓN INAPROPIADAS EN EL SITIO; ATMÓSFERA CORROSIVA; UN CAMBIO EN LA UBICACIÓN O EN EL USO OPERATIVO; EXPOSICIÓN A LOS ELEMENTOS; - ABUSOS; DESATENCIÓN O CUALQUIER OTRA CAUSA MÁS ALLÁ DEL RANGO DEL USO PREVISTO COMO DETERMINE TRIPP LITE. EL VENDEDOR NO OTORGA GARANTÍAS EXPRESAS DISTINTAS A LA ESTIPULADA EN EL PRESENTE. EXCEPTO EN LA MEDIDA EN QUE LO PROHÍBAN LAS LEYES APLICABLES, TODAS LAS GARANTÍAS IMPLÍCITAS, INCLUIDAS TODAS LAS GARANTÍAS DE COMERCIABILIDAD O IDONEIDAD PARA UN PROPÓSITO PARTICULAR, ESTÁN LIMITADAS EN DURACIÓN AL PERÍODO DE GARANTÍA ESTABLECIDO ANTERIORMENTE; Y ESTA GARANTÍA EXCLUYE EXPRESAMENTE TODOS LOS DAÑOS INCIDENTALES Y CONSECUENTES. (EE UU: Algunos estados no permiten limitaciones en cuanto a la duración de una garantía y algunos estados no permiten la exclusión o limitación de daños incidentales o indirectos, de modo que es posible que las limitaciones anteriores no se apliquen a usted. Esta Garantía le otorga derechos legales específicos y es posible que usted goce de otros derechos que pueden variar de una jurisdicción a otra).

## Números de Identificación de Conformidad Regulatoria

Para el propósito de certificaciones e identificación de cumplimiento normativo, su producto Tripp Lite ha recibido un número de serie exclusivo. El número de serie se puede encontrar en la etiqueta de placa de identificación, junto con todas las marcas e información requeridas de aprobación. Al solicitar información de conformidad para este producto, refiérase siempre al número de serie. El número de serie no debe confundirse con el nombre de la marca o el número de comercialización del producto.

## Información de Cumplimiento con WEEE para Clientes y Recicladores de Tripp Lite (Unión Europea)



Conforme a la Directiva de Residuos de Equipos Eléctricos y Electrónicos [WEEE] y regulaciones aplicables, cuando los clientes adquieren un equipo eléctrico y electrónico nuevo de Tripp Lite están obligados a:

- Enviar el equipo viejo para fines de reciclaje bajo la modalidad de uno por uno, semejante por semejante (esto varía de un país a otro)
- Enviar el equipo nuevo para reciclaje una vez que finalmente sea un desecho

Tripp Lite tiene una política de mejora continua. Las especificaciones están sujetas a cambio sin previo aviso. Las fotografías e ilustraciones pueden diferir ligeramente de los productos reales.



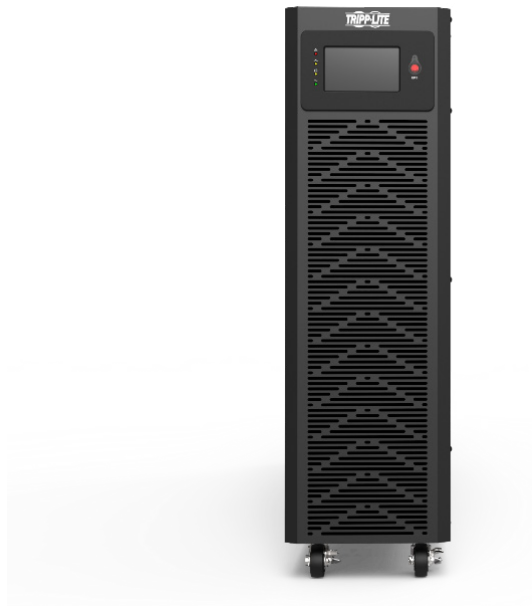
1111 W. 35th Street, Chicago, IL 60609, EE UU • [tripplite.com/support](http://tripplite.com/support)

# Manuel de l'utilisateur

## Onduleurs triphasés S3M SmartOnline®

Modèles : S3M10K1B, S3M10K2B, S3M10K3B, S3M10K-NIB,  
S3M15K2B, S3M15K3B, S3M15K-NIB, S3M20K3B, S3M20K-NIB

Entrée : 120/127 V (Ph-N), 208/220 V (Ph-Ph), 3Ø, 4 fils + PE



English 1 • Español 73



1111 W. 35th Street, Chicago, IL 60609 USA • [tripplite.com/support](http://tripplite.com/support)

Droits d'auteur © 2021 Tripp Lite. Tous droits réservés.



# Table des matières

<b>1. Introduction</b>	<b>147</b>	<b>3.9 Procédure d'installation des batteries internes pour les modèles d'onduleur sans batterie interne (modèles -NIB)</b>	<b>160</b>
<b>2. Consignes de sécurité importantes</b>	<b>149</b>	3.9.1 Compatibilité de l'onduleur et de l'armoire de batteries	161
2.1 Mises en garde concernant le placement de l'onduleur	149	3.9.2 Connecteurs de câble des batteries internes de l'onduleur	161
2.2 Avertissements liés au branchement de l'équipement	149	3.9.3 Installation des batteries	162
2.3 Avertissements portant sur les batteries	149	<b>3.10 Connexion des batteries</b>	<b>168</b>
2.4 Transport et entreposage	150	<b>3.11 Installation d'un seul onduleur</b>	<b>170</b>
2.5 Préparation	150	<b>3.12 Connexion du câble d'alimentation d'entrée simple</b>	<b>171</b>
2.6 Installation	150	3.12.1 Connexion d'entrée simple (secteur)	172
2.7 Avertissements concernant les connexions	151	<b>3.13 Connexions d'entrée double (secteur et dérivation)</b>	<b>173</b>
2.8 Fonctionnement	151	<b>3.14 Installation de l'onduleur pour les systèmes en parallèle</b>	<b>174</b>
2.9 Conformité aux normes	151	3.14.1 Installation de câbles en parallèle	174
<b>3. Installation et câblage</b>	<b>152</b>	3.14.2 Configuration requise en parallèle	175
3.1 Avertissement important en matière de sécurité	152	<b>3.15 Connexions des batteries externes</b>	<b>176</b>
3.2 Inspection de l'emballage	152	3.15.1 Installation et configuration	177
3.2.1 Inspection externe	152	<b>4. Fonctionnement</b>	<b>178</b>
3.2.2 Inspection interne	152	<b>4.1 Modes de fonctionnement</b>	<b>178</b>
3.2.3 Contenu de l'emballage	152	4.1.1 Mode en ligne CA	178
3.3 Données mécaniques	153	4.1.2 Mode batterie	178
3.3.1 Dimensions	153	4.1.3 Mode de dérivation	178
3.3.2 Exigences physiques	154	4.1.4 Mode ECO	178
3.4 Déballage de l'onduleur	155	4.1.5 Mode d'entretien	180
3.5 Vue d'ensemble	156	<b>4.2. Mise sous/hors tension de l'onduleur</b>	<b>180</b>
3.6 Panneau de contrôle ACL, voyants à DEL et alarmes	158	4.2.1 Démarrage de base	180
3.6.1 Introduction : affichage ACL	158	4.2.2 Mise hors tension de l'onduleur	180
3.6.2 Introduction : alarmes sonores et voyants à DEL	158	4.2.3 Démarrage à froid	181
3.7 Remarques concernant l'installation	159	4.2.4 Passer en mode de dérivation pour l'entretien	181
3.8 Dispositifs de protection externes	160	4.2.5 Passer du mode de dérivation pour l'entretien au mode en ligne ou ECO	181
3.8.1 Batteries externes	160		
3.8.2 Sortie de l'onduleur	160		
3.8.3 Protection contre les surintensités	160		

# Table des matières

<b>4.3 Alarmes, voyants à DEL et affichage ACL</b>	<b>182</b>	<b>7. Communications</b>	<b>206</b>
4.3.1 Vue d'ensemble des alarmes audibles et des voyants à DEL	182	7.1 Carte de gestion Web	206
4.3.2 Introduction au panneau de contrôle ACL	182	7.2 Carte de relais	206
4.3.3 Page principale : affichage par défaut	183	7.3 Définition du port de communication USB	207
4.3.4 Écran d'état	184	7.4 Définition du port de communication RS-232	208
4.3.5 Interface de l'alarme	186	7.5 Définition du port de communication RS-485	208
4.3.6 Écran des réglages	189	7.6 Définition du port de communication BAT_T	209
4.3.6.1 Écran des réglages de base	189	7.7 Retour : port des contacts secs du relais	210
4.3.6.2 Écran des réglages avancés	191	7.8 Connexion REPO	210
4.3.6.3 Écran Maint (entretien)	197	<b>8. Entreposage et entretien</b>	<b>211</b>
4.3.6.4 Écran commun	199	8.1 Entreposage	211
4.3.6.5 À propos de l'écran	201	8.2 Entretien	211
<b>4.4 Affichage des messages et des alarmes</b>	<b>201</b>	8.3 Batterie	212
<b>5. Mise en service du système en parallèle</b>	<b>201</b>	8.4 Ventilateur	212
<b>6. Dépannage</b>	<b>201</b>	<b>9. Caractéristiques techniques</b>	<b>213</b>
		<b>10. Garantie</b>	<b>214</b>
		<b>English</b>	<b>1</b>
		<b>Español</b>	<b>73</b>

# 1. Introduction

L'onduleur SmartOnline de la série S3M de Tripp Lite est un onduleur triphasé à véritable conversion double en ligne indépendant de la tension et de la fréquence. Cet onduleur conditionne continuellement l'alimentation électrique entrante, éliminant les perturbations qui autrement endommageraient les appareils électroniques sensibles et minimisant les temps d'indisponibilité du système causés par les fluctuations et les interruptions.

L'onduleur de la série S3M utilise la technologie de contrôle numérique DSP la plus récente et un facteur de puissance de sortie unitaire. Les onduleurs de la série S3M sont conçus selon les normes de qualité et de rendement les plus élevées et offrent les caractéristiques à l'avant-garde du marché suivantes :

Modèle du système ASC	Numéro de l'agence	Capacité
S3M10K1B	AG-0588	10 000 W
S3M10K2B	AG-0589	
S3M10K3B	AG-0449	
S3M10K-NIB	AG-058A	
S3M15K2B	AG-058C	15 000 W
S3M15K3B	AG-044A	
S3M15K-NIB	AG-058D	
S3M20K3B	AG-044B	20 000 W
S3M20K-NIB	AG-058E	

- Onduleur en ligne réel – le niveau le plus élevé de protection de l'onduleur, régule complètement l'alimentation électrique entrante avec aucun délai de transfert vers le mode batterie en cas d'une panne de courant prolongée pour continuellement prendre en charge les charges critiques
- Certifié ENERGY STAR® 2.0 – offre le plus haut niveau d'efficacité pour minimiser les coûts de l'électricité et les dépenses. ENERGY STAR est un programme conjoint de l'Environmental Protection Agency (EPA) et du département de l'Énergie (Department of Energy (DOE)). « Il a pour objectif d'aider les consommateurs, les entreprises et l'industrie à économiser de l'argent et à protéger l'environnement grâce à l'adoption de produits et pratiques à haute efficacité énergétique. L'étiquette ENERGY STAR identifie les produits les plus performants et économiques. Pour plus de renseignements, visiter [www.energy.gov/eere/buildings/energy-star](http://www.energy.gov/eere/buildings/energy-star). »
- La performance à haut rendement en mode en ligne CA jusqu'à 94 % et en mode ECO jusqu'à 98 %
- Facteur de puissance unitaire (PF1) – davantage de puissance réelle permet de prendre en charge plus d'équipement
- L'encombrement réduit le meilleur de sa catégorie et la taille libèrent de l'espace pour l'équipement qui génère des revenus
- Configuration en parallèle pour plus de capacité (3N+1) et redondance – jusqu'à quatre onduleurs peuvent utiliser une seule armoire de batteries
- La dérivation automatique et manuelle de l'entretien accroît la fiabilité du système et permet d'effectuer l'entretien sans interrompre l'alimentation de la charge liée
- Large fenêtre de tension d'entrée – l'onduleur régule même l'alimentation entrante de mauvaise qualité sans passer en mode batterie, en maximisant le temps de fonctionnement du système et en protégeant la vie de la batterie
- Écran tactile intuitif en plusieurs langues de grande taille (12,7 mm/5 po) pour une plus grande facilité d'utilisation
- Chargeur de batteries puissant et intelligent (jusqu'à 20 A) pour minimiser le temps de chargement des batteries, améliorant ainsi la fiabilité du système
- Arrêt d'urgence (bouton EPO, RPO à distance) et bouton de démarrage à froid simple à utiliser
- Carte de surveillance à distance SNMP de réseau optionnelle et cartes des gestion de la fermeture des contacts disponibles
- Trois ports RTU MODBUS : RS-485, RS-232, USB; standard sur tous les modèles
- Capacité d'entrée CA simple et double standard sur tous les modèles
- Variété de modèles avec et sans batteries internes pour minimiser les coûts et tenir compte des besoins en matière de fonctionnement
- Conception du panneau avant assortie aux armoires externes de batteries et du transformateur (480 V) (optionnelle)

**Remarque :** Tous les accessoires, transformateurs et ressources pour onduleur triphasé Tripp Lite pour les modèles de la série S3M et les autres solutions d'onduleurs triphasés sont offerts à [tripplite.com/pages/3-phase-ups-solutions](http://tripplite.com/pages/3-phase-ups-solutions).

# 1. Introduction

Les onduleurs SmartOnline de la série S3M conviennent parfaitement pour protéger et prendre en charge les applications électriques vitales suivantes :

- Infrastructure de TI – petits centres de données, informatique en périphérie et centres de données de colocation
- Les télécommunications
- Les réseaux (local/étendu)
- L'infrastructure de l'entreprise
- Systèmes de sécurité et d'urgence sans charge de moteur
- Institutions financières, gouvernementales, d'enseignement et de recherche
- Applications industrielles et de soins de santé avec modèles avec trousse transformateur (480 V) + onduleur

**Remarque :** Tous les accessoires, transformateurs et ressources pour onduleur triphasé Tripp Lite pour les modèles de la série S3M et les autres solutions d'onduleurs triphasés sont offerts à [tripplite.com/pages/3-phase-ups-solutions](http://tripplite.com/pages/3-phase-ups-solutions).

## 2. Consignes de sécurité importantes

### CONSERVER CES INSTRUCTIONS

Ce manuel contient des instructions et des avertissements importants qui doivent être respectés au cours de l'installation et de l'entretien de tous les onduleurs triphasés SmartOnline S3M de 10 kVA, 15 kVA et 20 kVA de Tripp Lite et leurs batteries. Le non-respect de ces avertissements pourrait nuire à la garantie.

### 2.1 Mises en garde concernant le placement de l'onduleur

- Installer l'onduleur à l'intérieur, à l'écart de la chaleur, de la lumière directe du soleil, de la poussière et de l'humidité excessive et d'autres contaminants conducteurs.
- Installer l'onduleur dans un endroit où la structure est solide. L'onduleur est extrêmement lourd; faire preuve de prudence au moment de déplacer et de soulever l'appareil.
- Utiliser l'onduleur à des températures intérieures se situant entre 0 °C et 40 °C (32 °F et 104 °F) seulement.
- Une performance optimale de l'onduleur et une durée de vie maximale des batteries sont obtenues lorsque la température de fonctionnement est maintenue entre 17 et 25° C.
- S'assurer que l'espace d'installation est suffisant pour l'entretien et la ventilation de l'onduleur. Garder un espace libre d'au moins 50 cm à l'arrière, à l'avant et des deux côtés de l'onduleur pour la ventilation et l'entretien.
- N'installez pas l'onduleur près d'appareils de stockage magnétique de données puisque ceci pourrait causer la corruption des données.

### 2.2 Avertissements liés au branchement de l'équipement

- Il n'est pas recommandé d'utiliser cet équipement pour des appareils de survie où une défaillance de cet équipement peut, selon toute vraisemblance, entraîner la défaillance de l'appareil de maintien de la vie ou affecter de façon majeure sa sécurité ou son efficacité.
- Les modèles d'onduleur S3M10K1B, S3M10K2B, S3M10K3B, S3M15K2B, S3M15K3B et S3M20K3B comportent leur propre source d'énergie (batteries). Les bornes de sortie peuvent être sous tension même lorsque l'onduleur n'est pas branché à une alimentation CA.

### 2.3 Avertissements portant sur les batteries



Cet onduleur présente des TENSIONS MORTELLES. L'onduleur est conçu pour fournir de l'alimentation même lorsqu'il est débranché de l'alimentation du secteur. Seul du PERSONNEL DE SERVICE AUTORISÉ peut accéder à l'intérieur de l'onduleur après avoir débranché l'alimentation du secteur et l'alimentation CC.



Les batteries peuvent présenter un risque de décharge électrique et de brûlures par des courants de court-circuit élevés. La connexion ou le remplacement des batteries ne devrait être effectué que par du personnel d'entretien qualifié tenant compte des mesures de sécurité appropriées. Mettre l'onduleur hors tension avant de connecter ou déconnecter les batteries internes. Utiliser des outils ayant des poignées isolées. Ne pas ouvrir les batteries. Ne pas créer de court-circuit ou de pont entre les bornes de la batterie avec un objet quelconque.

- Les batteries sont recyclables. Se référer aux codes locaux pour connaître les exigences sur la mise au rebut des batteries ou visiter [tripplite.com/support/recycling-program](http://tripplite.com/support/recycling-program) pour obtenir plus de renseignements au sujet du recyclage.
- Ne pas éliminer les batteries dans un feu, ne pas mutiler les batteries ou ouvrir le revêtement de protection des batteries. Les électrolytes dégagés peuvent être toxiques pour la peau et les yeux et leur causer des blessures.
- Ne pas déconnecter les batteries lorsque l'onduleur se trouve en mode batterie.
- Débrancher la source de chargement avant de brancher ou débrancher les bornes.
- Les précautions suivantes doivent être observées :
  - 1) Enlever les montres, les bagues ou tout autre objet métallique.
  - 2) Utiliser des outils ayant des poignées isolées.
  - 3) Porter des gants en caoutchouc et des bottes de qualité électrique.

## 2. Consignes de sécurité importantes

- 4) Utiliser un tapis en caoutchouc de qualité électrique lors de l'entretien des batteries.
  - 5) Ne pas déposer d'outils ou de pièces métalliques sur les batteries ou les armoires de batteries.
  - 6) S'assurer que l'alimentation de la batterie (+, -, N) n'est pas accidentellement mise à la terre. Si c'est le cas, enlevez la source de la connexion à la terre. Tout contact avec une partie d'une batterie mise à la terre pourrait causer une décharge électrique. La probabilité d'une telle décharge peut être réduite si de telles mises à la terre sont éliminées durant l'installation et l'entretien.
- Le remplacement de la batterie devrait être effectué uniquement par le personnel de service autorisé en utilisant des batteries du même type portant le même numéro (batterie au plomb-acide scellée).



**AVERTISSEMENT : Pour éviter toute condition dangereuse pendant l'installation et l'entretien de l'onduleur, ces tâches doivent être effectuées uniquement par des électriciens qualifiés et expérimentés.**

Lire attentivement ce manuel de l'utilisateur et les consignes de sécurité avant d'installer ou d'utiliser l'appareil.

### 2.4 Transport et entreposage

- ⚠ Pour protéger l'onduleur contre les chocs et les impacts, le transporter uniquement dans l'emballage d'origine.
- ⚠ L'onduleur doit être entreposé dans une pièce qui est sèche et ventilée.

### 2.5 Préparation

- ⚠ De la condensation peut se former si l'onduleur est déplacé directement d'un endroit froid à un emplacement chaud. L'onduleur doit être complètement sec avant d'être installé. Laisser l'onduleur s'ajuster à l'environnement pendant au moins deux heures.
- ⚠ Ne pas installer l'onduleur à proximité de l'eau ou dans un milieu humide.
- ⚠ Ne pas installer l'onduleur sous la lumière directe du soleil ou à proximité de sources de chaleur.
- ⚠ Ne pas bloquer les ouvertures de ventilation sur le boîtier de l'onduleur.

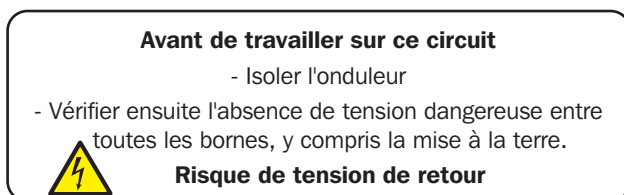
### 2.6 Installation

- ⚠ Ne pas connecter des appareils ou des dispositifs qui pourraient surcharger l'onduleur (c.-à-d. de l'équipement équipé de moteurs électriques) dans les prises de sortie ou la borne de l'onduleur.
- ⚠ Disposer soigneusement les câbles de telle sorte que personne ne puisse marcher dessus ou trébucher.
- ⚠ Ne pas bloquer les fentes d'aération de l'onduleur. L'onduleur doit être installé dans un endroit avec une bonne ventilation. Laisser un espace de ventilation de chaque côté de l'appareil.
- ⚠ L'onduleur comporte une borne mise à la terre. Dans la configuration finale du système installé, s'assurer de la présence d'une mise à la terre équipotentielle vers l'armoire des batteries de l'onduleur en connectant ensemble les bornes de terre des deux armoires.
- ⚠ L'installation de l'onduleur doit être confiée uniquement à du personnel du service électrique et d'entretien qualifié.
- ⚠ Un dispositif de déconnexion approprié, comme une protection de secours contre les courts-circuits, doit être fourni dans l'installation du câblage du bâtiment.
- ⚠ Un dispositif de commutation d'urgence unique intégral doit être inclus dans l'installation du câblage du bâtiment.
- ⚠ Connecter la mise à la terre avant de connecter la borne du câblage du bâtiment.
- ⚠ L'installation et le câblage doivent être effectués en conformité avec les codes locaux de l'électricité et les réglementations.

## 2. Consignes de sécurité importantes

### 2.7 Avertissements concernant les connexions

- Cet onduleur doit être connecté avec un système de mise à la terre TN.
  - L'alimentation électrique de cet appareil doit être triphasée et ses valeurs nominales doivent correspondre aux valeurs sur la plaque signalétique de l'équipement. Elle doit également être correctement mise à la terre.
  - L'alimentation d'entrée vers les modèles d'onduleurs triphasés exige un disjoncteur à 3 pôles.
  - Il n'est pas recommandé d'utiliser cet équipement pour des appareils de survie où une défaillance de cet équipement peut, selon toute vraisemblance, entraîner la défaillance de l'appareil de maintien de la vie ou affecter de façon majeure sa sécurité ou son efficacité.
  - L'onduleur est connecté à une source d'énergie CC (batterie). Les bornes de sortie peuvent toujours être sous tension même lorsque l'onduleur n'est pas branché à une alimentation CA.
- ⚠ Au moment d'installer l'appareil, vérifier que tout panneau de dérivation d'entretien utilisé est configuré correctement avant de mettre l'appareil sous tension.
- S'assurer de placer une étiquette d'avertissement sur tous les sectionneurs d'alimentation principaux installés à distance de l'onduleur et sur tout point d'accès externe entre de tels sectionneurs et l'onduleur. L'étiquette d'avertissement doit porter le libellé suivant ou l'équivalent :



- Ces modèles d'onduleur incluent un connecteur à contacts secs de retour à l'arrière de l'onduleur pour une protection contre les retours.

### 2.8 Fonctionnement

- ⚠ Ne jamais pas déconnecter le câble du conducteur de terre sur l'onduleur ou les bornes du câblage du bâtiment, car cela aurait pour effet d'annuler la mise à la terre de protection de l'onduleur.
- ⚠ Pour déconnecter complètement l'onduleur, consulter la section **4.2.2 Mise hors tension de l'onduleur**, puis débrancher le secteur.
- ⚠ Veiller à ce qu'aucun liquide ou autre corps étranger ne pénètre dans l'onduleur.

### 2.9 Conformité aux normes

Ce produit répond aux normes de sécurité suivantes et aux normes d'inspection de la compatibilité électromagnétique (CEM) :

- UL 1778
- CSA C22.2 N° 107.3
- FCC Partie 15B Classe A

## 3. Installation et câblage

### 3.1 Avertissement important en matière de sécurité

Lire entièrement ce manuel avant d'entreprendre toute installation et tout câblage. Un ingénieur autorisé par Tripp Lite doit effectuer le démarrage de l'onduleur et un formulaire de démarrage rempli doit être retourné à Tripp Lite afin d'activer la garantie de l'onduleur SmartOnline S3M. Contacter le fournisseur local ou [support@tripplite.com](mailto:support@tripplite.com) pour plus de détails. Pour trouver la personne-ressource locale, visiter [tripplite.com/support/contacts](http://tripplite.com/support/contacts), puis cliquer sur « Service Centers » (Centres de service).

### 3.2 Inspection de l'emballage

#### 3.2.1 Inspection externe

Inspecter l'emballage extérieur de l'onduleur. Si des dommages sont observés, vérifier l'autocollant « Tip 'N Tell » sur l'emballage de l'onduleur pour voir si la boîte de l'onduleur a été inclinée. Si elle a été inclinée, contacter immédiatement le fournisseur chez qui l'onduleur a été acheté.

#### 3.2.2 Inspection interne

1. Vérifier l'étiquette de valeurs nominales sur le dessus du boîtier de l'onduleur et s'assurer que le numéro de l'appareil et la capacité correspondent à ce qui a été commandé.
2. Vérifier l'absence de toute pièce desserrée ou endommagée.
3. L'emballage de l'onduleur contient les éléments répertoriés ci-dessous. Vérifier qu'aucun des éléments n'est manquant.
4. S'il manque quelque chose ou si quelque chose est endommagé, contacter immédiatement le fournisseur chez qui l'onduleur a été acheté.
5. Si l'onduleur doit être retourné, remballer soigneusement l'onduleur et tous les accessoires en utilisant le matériel d'emballage livré avec l'appareil.

#### 3.2.3 Contenu de l'emballage

- Onduleur
- Câble RS-232 (mâle/femelle), 1,5 m (5 pi)
- Câble en parallèle RS-232 (mâle/femelle), 1,5 m (5 pi)
- Câble USB, 1,5 m (5 pi)
- Connecteurs Anderson pour câble de batteries configurés pour terminer un câble de batterie (2 fils noirs, 2 fils blancs, 2 fils rouges et plusieurs bornes métalliques)
- Goupilles de câble (x6) pour la boîte d'atterrissage de câbles (pièces de fixation étanches)
- Les modèles d'onduleur S3M10K-NIB, S3M15K-NIB et S3M20K-NIB incluent des câbles de court-circuit de batterie/raccordement (x54).
- Connecteur à contacts secs (vert)
- Manuel de l'utilisateur



## 3. Installation et câblage

### 3.3 Données mécaniques

#### 3.3.1 Dimensions

Les mesures indiquées s'appliquent à tous les modèles d'onduleur de 10 kVA, 15 kVA et 20 kVA.

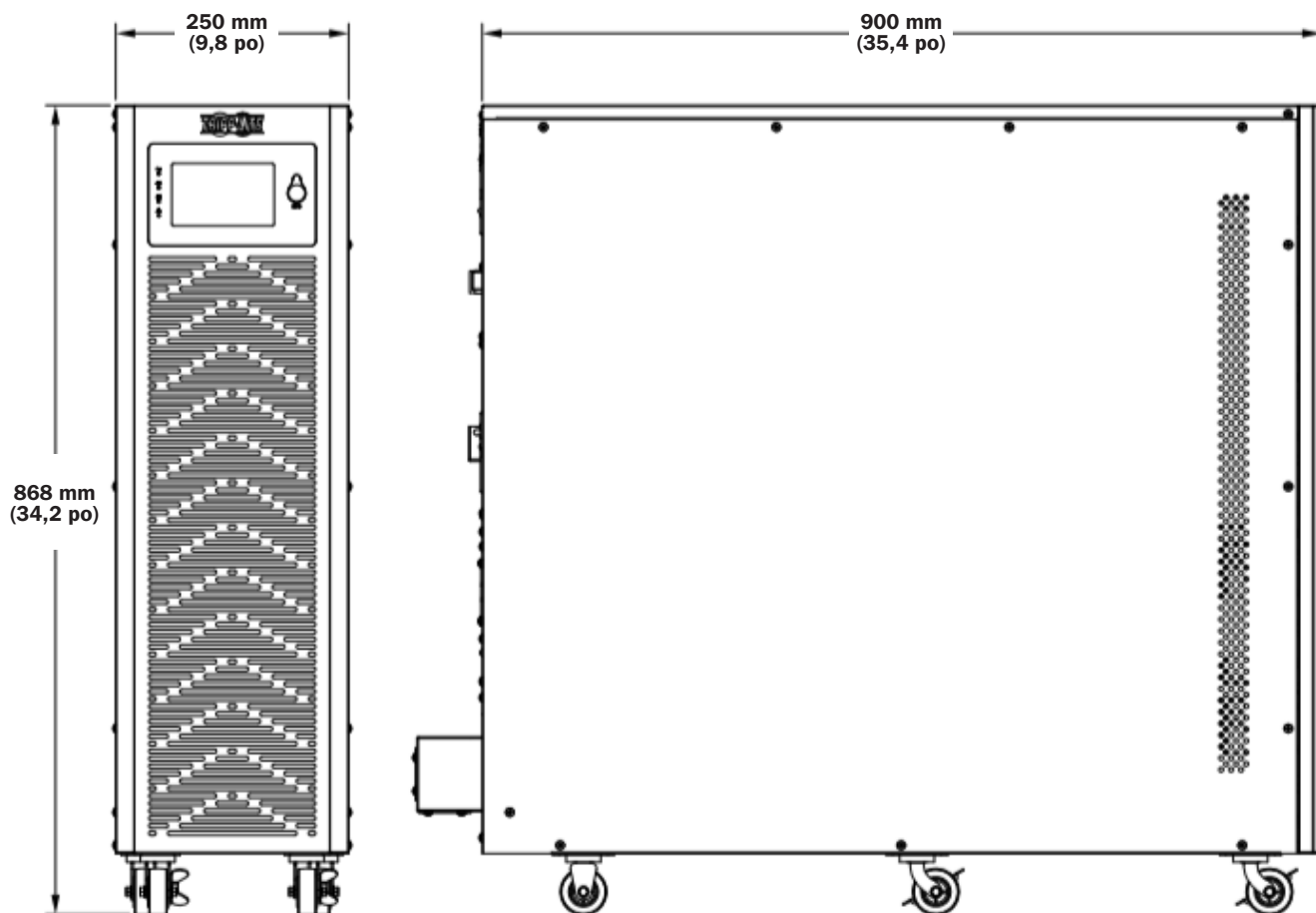


Figure 3-1 : Dimensions de l'onduleur

## 3. Installation et câblage

### 3.3.2 Exigences physiques

Laisser un minimum de 500 mm (20 po) autour de l'avant, de l'arrière, du côté droit et du côté gauche de l'armoire pour le fonctionnement et la ventilation.

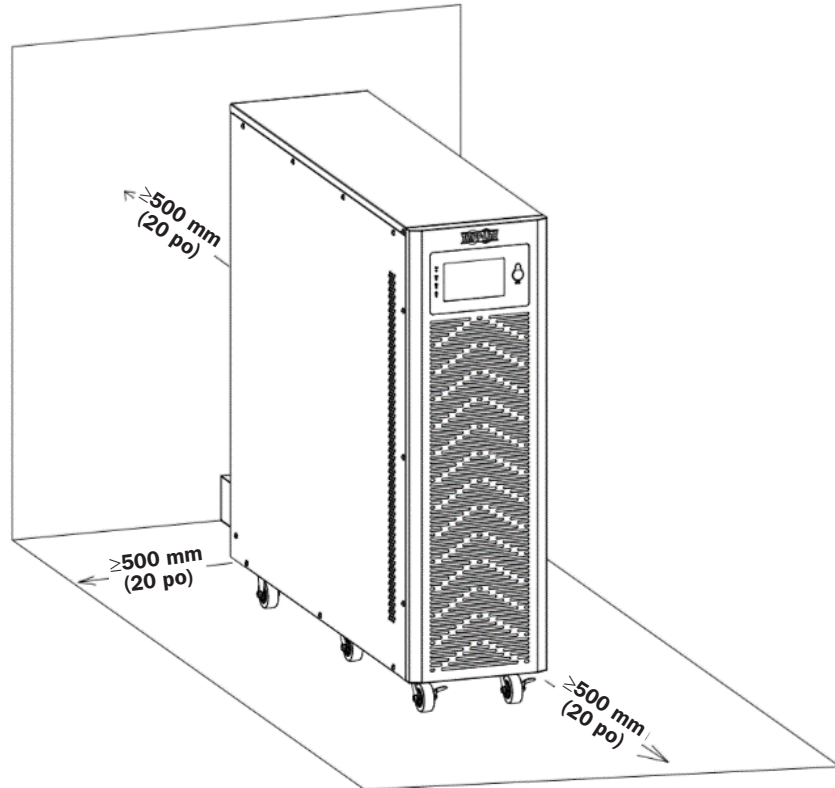


Figure 3-2 : Exigences physiques

## 3. Installation et câblage

### 3.4 Déballage de l'onduleur

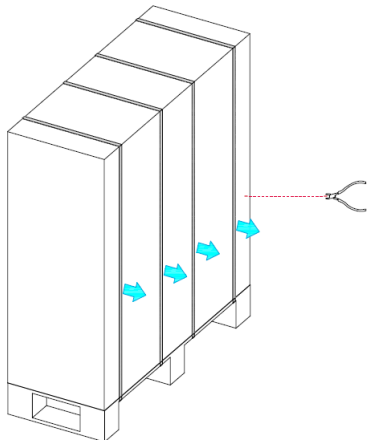
#### Remarques :

Ne pas incliner ou pencher l'onduleur au moment de le sortir de l'emballage.

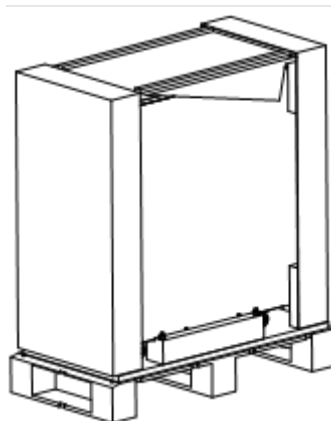
S'assurer que l'onduleur n'a pas été endommagé pendant le transport (consulter la section **3.2.1 Inspection externe**). Si des dommages sont observés, ne pas mettre l'appareil sous tension. Contacter immédiatement le fournisseur chez qui l'onduleur a été acheté.

#### Pour déballer l'onduleur :

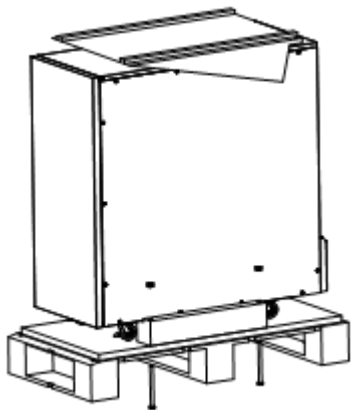
1. Enlever l'emballage.



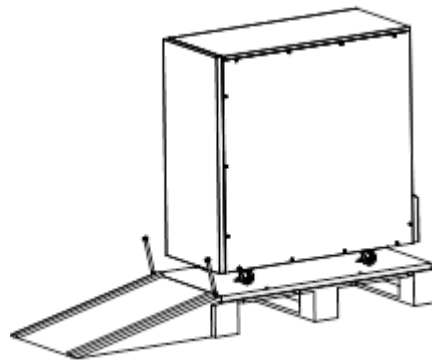
2. Enlever l'emballage extérieur de l'armoire.



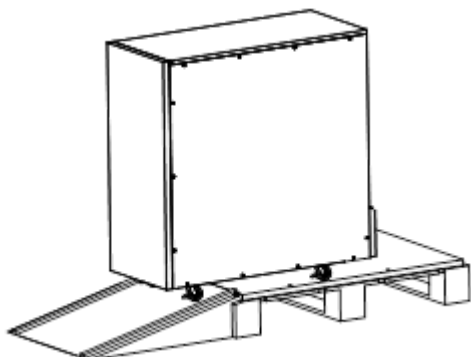
3. Enlever l'emballage intérieur de l'armoire, dévisser les vis, puis retirer la barre en bois fixée à l'armoire.



4. Placer le panneau incliné au sol, puis le fixer à la palette en utilisant les vis retirées à l'étape 3.



5. Glisser lentement l'appareil de la palette.



## 3. Installation et câblage

### 3.5 Vue d'ensemble

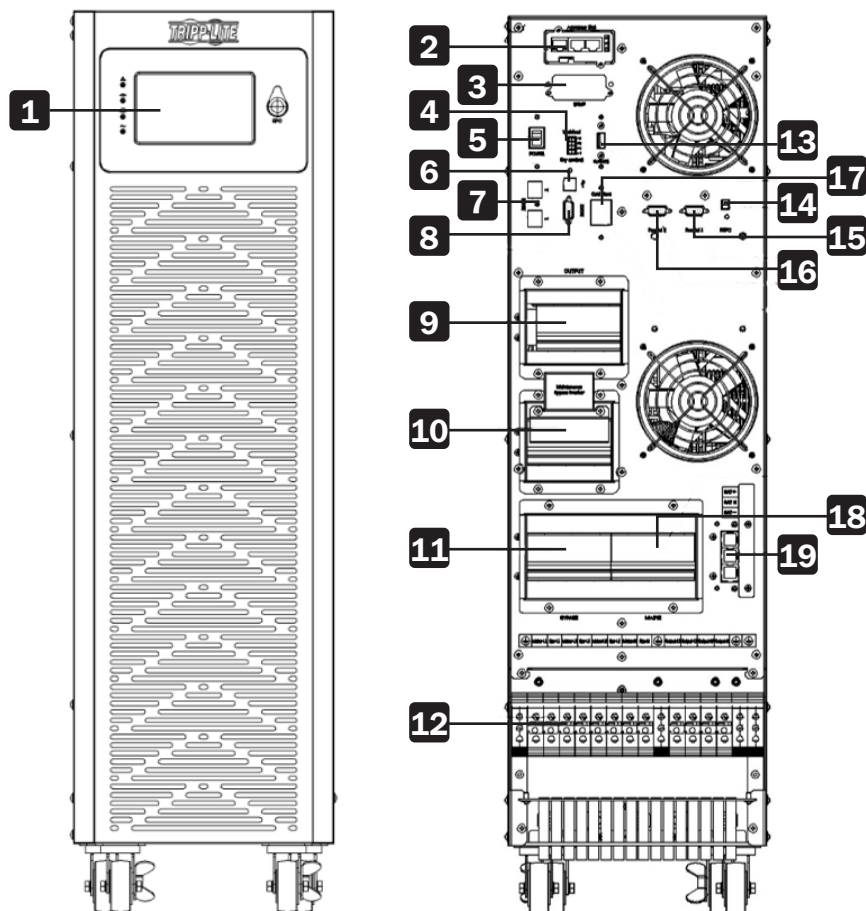


Figure 3-3 : Vue d'ensemble de l'avant et de l'arrière de l'onduleur de 10 kVA (bloc de jonction illustré sans couvercle)

- |  |   |
|--|---|
| <b>1</b> Panneau ACL   | <b>11</b> Disjoncteur de dérivation                                       |
| <b>2</b> Fente pour accessoires  | <b>12</b> Bloc de jonction pour l'entrée, la sortie et la mise à la terre |
| <b>3</b> Port SNMP   | <b>13</b> ÉVÉNEMENTS (port de service)                                    |
| <b>4</b> Contacts secs du retour   | <b>14</b> Port REPO   |
| <b>5</b> Commutateur d'ALIMENTATION (Retirer le couvercle pour accéder au commutateur) | <b>15</b> Port en parallèle 1   |
| <b>6</b> Port USB  | <b>16</b> Port en parallèle 2   |
| <b>7</b> Deux ports RS-485 (MODBUS ou thermostat des batteries)                        | <b>17</b> Bouton de démarrage à froid                                     |
| <b>8</b> Port RS-232   | <b>18</b> Disjoncteur d'entrée  |
| <b>9</b> Disjoncteur de sortie   | <b>19</b> Bloc de jonction de la batterie                                 |
| <b>10</b> Disjoncteur d'entretien (illustré sans couvercle)                            |   |

### 3. Installation et câblage

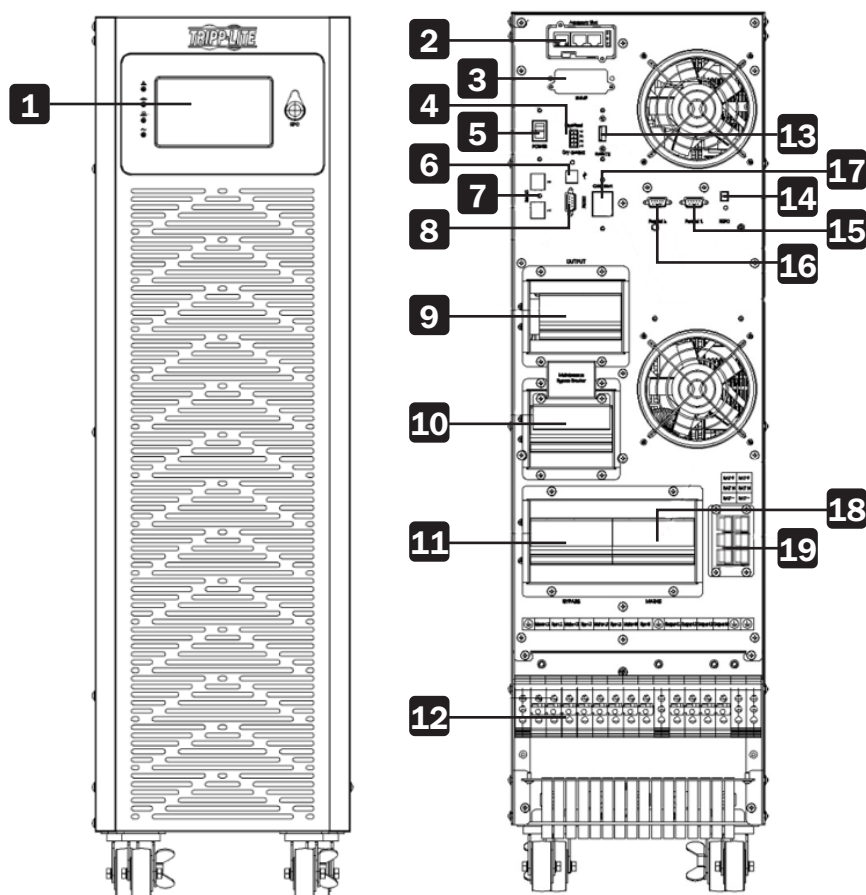


Figure 3-4 : Vue d'ensemble de l'avant et de l'arrière de l'onduleur de 15 kVA/20 kVA (bloc de jonction illustré sans couvercle)

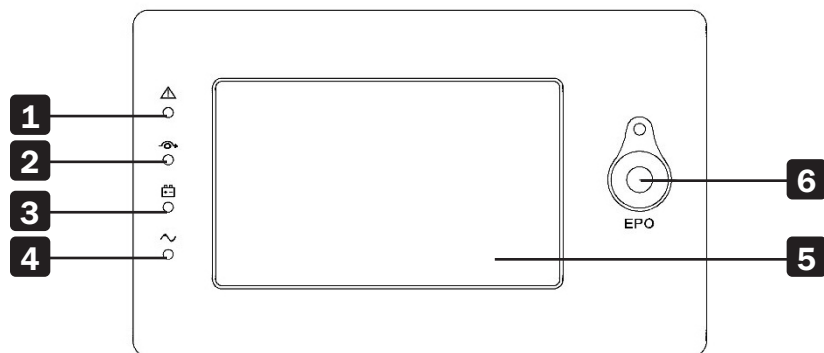
- |  |   |
|--|---|
| <b>1</b> Panneau ACL   | <b>10</b> Disjoncteur d'entretien (illustré sans couvercle)               |
| <b>2</b> Fente pour accessoires  | <b>11</b> Disjoncteur de dérivation                                       |
| <b>3</b> Port SNMP   | <b>12</b> Bloc de jonction pour l'entrée, la sortie et la mise à la terre |
| <b>4</b> Contacts secs du retour   | <b>13</b> ÉVÉNEMENTS (port de service)                                    |
| <b>5</b> Commutateur d'ALIMENTATION (Retirer le couvercle pour accéder au commutateur) | <b>14</b> Port REPO   |
| <b>6</b> Port USB  | <b>15</b> Port en parallèle 1   |
| <b>7</b> Deux ports RS-485 (MODBUS ou thermostat des batteries)                        | <b>16</b> Port en parallèle 2   |
| <b>8</b> Port RS-232   | <b>17</b> Bouton de démarrage à froid                                     |
| <b>9</b> Disjoncteur de sortie   | <b>18</b> Disjoncteur d'entrée  |
|  | <b>19</b> Bloc de jonction de la batterie                                 |

## 3. Installation et câblage

### 3.6 Panneau de contrôle ACL, voyants à DEL et alarmes

#### 3.6.1 Introduction : affichage ACL

Pour des informations détaillées sur les fonctions du panneau de commande ACL, consulter les sections **4.3.2 Introduction au panneau de contrôle ACL** et **4.3.3 Page principale : affichage par défaut**.



**1** Voyant à DEL de l'alarme

**2** Voyant à DEL de dérivation

**3** Voyant à DEL de la batterie

**4** Voyant à DEL de l'inverseur

**5** Écran ACL tactile, 127 mm (5 po)

**6** Bouton EPO (arrêt d'urgence) (le bouton doit être enfoncé pendant au moins 3 secondes pour activer l'arrêt d'urgence (EPO))

#### 3.6.2 Introduction : alarmes sonores et voyants à DEL

		Alarmes sonores		Voyants à DEL de l'affichage			
		État de l'alarme	Mutable On/Off (marche/arrêt)	Alarme	Dérivation	Batterie	Inverseur
<b>Modes de l'onduleur</b>	Initialisation de l'onduleur	Émet un bip, une seule fois	Non	Clignote/ 0,5 seconde	Clignote/ 0,5 seconde	Clignote/ 0,5 seconde	Clignote/ 0,5 seconde
	Mode en ligne de l'onduleur (normal)	Aucun bip	Aucun bip	OFF (arrêt)	OFF (arrêt)	OFF (arrêt)	ON (marche)
	Mode batterie de l'onduleur	Émet un bip/ 2 secondes	Oui	OFF (arrêt)	OFF (arrêt)	ON (marche)	OFF (arrêt)
	Mode test de la batterie de l'onduleur	Aucun bip	Aucun bip	OFF (arrêt)	OFF (arrêt)	ON (marche)	OFF (arrêt)
	Mode ECO de l'onduleur	Aucun bip	Aucun bip	OFF (arrêt)	ON (marche)	OFF (arrêt)	OFF (arrêt)
	Mode Attente de l'onduleur	Aucun bip	Aucun bip	OFF (arrêt)	OFF (arrêt)	OFF (arrêt)	OFF (arrêt)
	Mode de dérivation statique de l'onduleur	Aucun bip	Aucun bip	OFF (arrêt)	ON (marche)	OFF (arrêt)	OFF (arrêt)
	Mode de dérivation d'entretien de l'onduleur	Aucun bip	Aucun bip	OFF (arrêt)	ON (marche)	OFF (arrêt)	OFF (arrêt)
	Mode convertisseur de fréquence de l'onduleur	Aucun bip	Aucun bip	OFF (arrêt)	OFF (arrêt)	OFF (arrêt)	ON (marche)
	Surcharge (mode de dérivation ou mode batterie)	Émet un bip/ 1 seconde	Oui	OFF (arrêt)	ON (marche)	ON (marche)	OFF (arrêt)

## 3. Installation et câblage

### 3.7 Remarques concernant l'installation

- Placer l'armoire de batteries dans un endroit propre et stable. Éviter les vibrations, la poussière, l'humidité, les gaz inflammables, les liquides et les matières corrosives. Des filtres à air supplémentaires peuvent être nécessaires si l'onduleur fonctionne dans un environnement poussiéreux. Pour plus d'informations sur les filtres à air, contacter [tripplite.com/support](http://tripplite.com/support).
- La température ambiante autour de l'onduleur devrait être maintenue entre 0 et 40 °C (32 et 104 °F). Si la température est supérieure à cette plage, la capacité de charge nominale sera réduite de 12 % par 5 °C (9 °F). Pour aider à prévenir les températures élevées dans la pièce où l'onduleur est installé, il est recommandé d'utiliser des ventilateurs d'évacuation et/ou des systèmes de refroidissement. Ne pas utiliser l'onduleur dans un environnement dont la température est supérieure à 50 °C (122 °F).
- Si l'onduleur est installé ou démonté à basse température, une condensation d'humidité pourrait se former. N'installer l'onduleur que si toutes les pièces internes et externes sont complètement sèches. Sinon, il y a un risque de décharge électrique.
- Les batteries doivent être montées dans un endroit où la température se situe à l'intérieur des spécifications requises. La température est un facteur clé pour déterminer la durée de vie et la capacité des batteries. La température des batteries doit être maintenue entre 20 et 25 °C (59 et 77 °F). Garder les batteries à l'écart des sources de chaleur, des principales zones de ventilation d'air, etc.



#### MISE EN GARDE!

**Les données sur la performance typique des batteries indiquent une température de fonctionnement entre 20 et 25 °C (59 et 77 °F). L'utilisation de l'onduleur au-dessus de cette plage réduira la durée de vie des batteries, tandis que l'utilisation de l'onduleur en deçà de cette plage réduira la capacité des batteries.**

- Si l'onduleur n'est pas installé immédiatement, il doit être entreposé dans une pièce exempte de chaleur ou d'humidité excessive.



#### MISE EN GARDE!

**Une batterie non utilisée doit être rechargée tous les 6 mois. Connecter temporairement l'onduleur dans une alimentation CA du secteur, puis l'activer pendant le temps nécessaire pour charger complètement les batteries.**

- L'altitude la plus élevée à laquelle l'onduleur peut fonctionner normalement à pleine charge est 1 000 mètres. La capacité de charge doit être réduite lorsque cet onduleur est installé dans un endroit où l'altitude est supérieure à 1 000 mètres.

(Le coefficient de charge est égal à la charge maximale dans un endroit à haute altitude divisé par la puissance nominale de l'onduleur.)

Altitude	1 000 m (3 281 pi)	1 500 m (4 921 pi)	2 000 m (6 562 pi)	2 500 m (8 202 pi)	3 000 m (9 843 pi)	3 500 m (11 483 pi)	4 000 m (13 124 pi)	4 500 m (14 764 pi)	5 000 m (16 404 pi)
Coefficient de charge	100%	95%	90%	85%	80%	75%	70%	65%	60%

- L'onduleur doit être gardé dans un endroit bien ventilé. Les orifices de ventilation à l'avant et à l'arrière de l'onduleur ne doivent pas être bloqués.

## 3. Installation et câblage

### 3.8 Dispositifs de protection externes

Pour des raisons de sécurité, il est nécessaire d'installer un disjoncteur externe au niveau de l'alimentation CA d'entrée et au niveau de la batterie.

#### 3.8.1 Batteries externes

L'onduleur et ses batteries connectées sont protégés contre les effets des surintensités par le biais d'un disjoncteur thermo-magnétique qui se trouve à proximité de la batterie.

#### 3.8.2 Sortie de l'onduleur

Tout tableau de distribution externe utilisé pour la distribution de la charge doit être équipé de dispositifs de protection pour éviter le risque de surcharger l'onduleur.

#### 3.8.3 Protection contre les surintensités



**DANGER!**

- Le câblage doit être effectué par un personnel professionnel qualifié.
- Avant d'effectuer le câblage ou toute connexion électrique, s'assurer que l'alimentation fournie à l'entrée et à la sortie de l'onduleur est complètement coupée et que les connecteurs des batteries internes sont déconnectés.
- Au moment de raccorder l'onduleur à l'alimentation CA du secteur et à la source de dérivation, des dispositifs de protection et des connecteurs à 3 pôles doivent être installés. Les dispositifs de protection et les connecteurs à 3 pôles doivent utiliser des composants approuvés qui répondent aux exigences en matière de sécurité. Les disjoncteurs thermomagnétiques doivent avoir une courbe de déclenchement C (normale) IEC 60947-2. Consulter ce qui suit pour les dispositifs de protection requis :

**Onduleur de 10 kVA : disjoncteur de 50 A requis.**

**Onduleur de 15 kVA : disjoncteur de 63 A requis.**

**Onduleur de 20 kVA : disjoncteur d'entrée de 80 A requis.**

- Au moment de raccorder les charges critiques à l'onduleur, un disjoncteur homologué certifié doit être installé entre elles. Consulter ce qui suit pour les disjoncteurs requis :

**Onduleur de 10 kVA : disjoncteur d'entrée de 50 A requis.**

**Onduleur de 15 kVA : disjoncteur d'entrée de 63 A requis.**

**Onduleur de 20 kVA : disjoncteur d'entrée de 80 A requis.**

- Vérifier que la taille, le diamètre, la phase et la polarité de chaque câble raccordé à l'onduleur sont adaptés. Pour les spécifications des câbles d'entrée/de sortie, consulter le tableau de la section 3.9.2 Connecteurs de câbles des batteries internes de l'onduleur.

### 3.9 Procédure d'installation des batteries internes pour les modèles d'onduleur sans batterie interne (modèles -NIB)



**DANGER! DANGER MORTEL, HAUTE TENSION!**

Même si la batterie n'est pas connectée à l'onduleur, une haute tension potentiellement mortelle est présente à l'intérieur de la batterie. Les connexions des batteries doivent être effectuées uniquement par du personnel d'entretien qualifié en respectant toutes les précautions spécifiées dans le manuel d'entretien conformément aux codes électriques locaux.



## 3. Installation et câblage

### 3.9.1 Compatibilité de l'onduleur et de l'armoire de batteries

	Armoires avec batteries internes	SP240V09 / 09K	BP240V40	BP240V40L	BP240V65	BP240V65L	BP240V100	BP240V100L
	Armoires sans batterie interne	SP240V09-NIB	BP240V40-NIB	BP240V40L-NIB	BP240V65-NIB	BP240V65L-NIB	BP240V100-NIB	BP240V100L-NIB
<b>Onduleurs 10 kVA-20 kVA avec batteries internes</b>	S3M10K1B, S3M10K2B, S3M10K3B S3M15K2B, S3M15K3B S3M20K3B	Oui	Non	Non	Non	Non	Non	Non
<b>Onduleurs 10 kVA-20 kVA sans batterie interne</b>	S3M10K-NIB S3M15K-NIB S3M20K-NIB	Oui	Oui	Oui	Oui	Oui	Oui	Non

### 3.9.2 Connecteurs de câble des batteries internes de l'onduleur

**Remarque :** Les modèles S3M10K-NIB, S3M15K-NIB et S3M20K-NIB incluent 54 câbles de raccordement/court-circuit de batterie utilisés dans l'installation des batteries internes.

	Couleur du câble	Calibre du câble	Longueur du câble	Quantité	Câbles préinstallés en usine
<b>S3M10K-NIB</b>	Noir	1 015 10 AWG	101 mm	54	Non
	Noir	1 015 10 AWG	2 200 mm	1	Oui
	Rouge	1 015 10 AWG	1 730 mm	1	Oui
	Bleu	1 015 10 AWG	2 600 mm	1	Oui
	Bleu	1 015 10 AWG	1 330 mm	1	Oui
	Bleu	1 015 10 AWG	2 400 mm	1	Oui
	Rouge	1 015 10 AWG	680 mm	1	Oui
	Noir	1 015 10 AWG	1 350 mm	1	Oui
<b>S3M15K-NIB</b>	Noir	1 015 10 AWG	101 mm	54	Non
	Noir	1 015 10 AWG	2 200 mm	1	Oui
	Rouge	1 015 10 AWG	1 730 mm	1	Oui
	Bleu	1 015 10 AWG	2 600 mm	1	Oui
	Bleu	1 015 10 AWG	1 330 mm	1	Oui
	Bleu	1 015 10 AWG	2 400 mm	1	Oui
	Rouge	1 015 10 AWG	680 mm	1	Oui
	Noir	1 015 10 AWG	1 350 mm	1	Oui
<b>S3M20K-NIB</b>	Noir	1 015 10 AWG	101 mm	54	Non
	Noir	1 015 10 AWG	2 200 mm	1	Oui
	Rouge	1 015 10 AWG	1 730 mm	1	Oui
	Bleu	1 015 10 AWG	2 600 mm	1	Oui
	Bleu	1 015 10 AWG	1 730 mm	1	Oui
	Bleu	1 015 10 AWG	2 400 mm	1	Oui
	Rouge	1 015 10 AWG	680 mm	1	Oui
	Noir	1 015 10 AWG	1 350 mm	1	Oui

## 3. Installation et câblage

### 3.9.3 Installation des batteries

1. Retirer les vis encadrées sur la Figure 3-6.

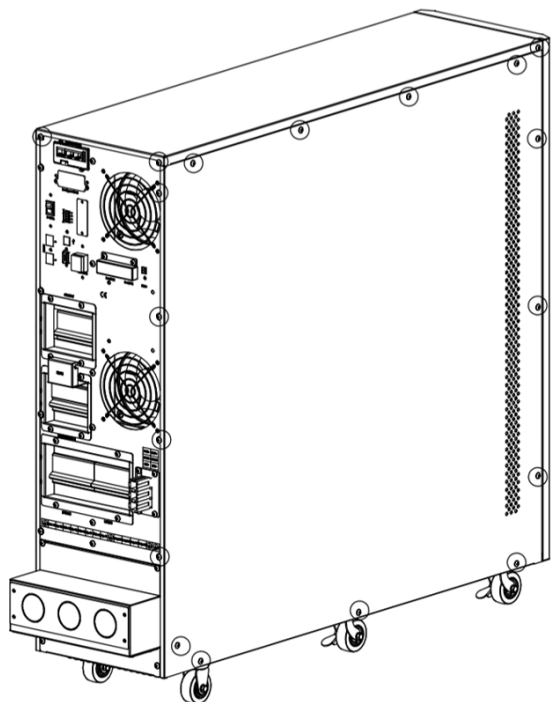


Figure 3-6 : Retirer les vis des plaques du haut, de droite et de gauche.

2. Retirer les plaques du haut, de droite et de gauche (Figure 3-7).

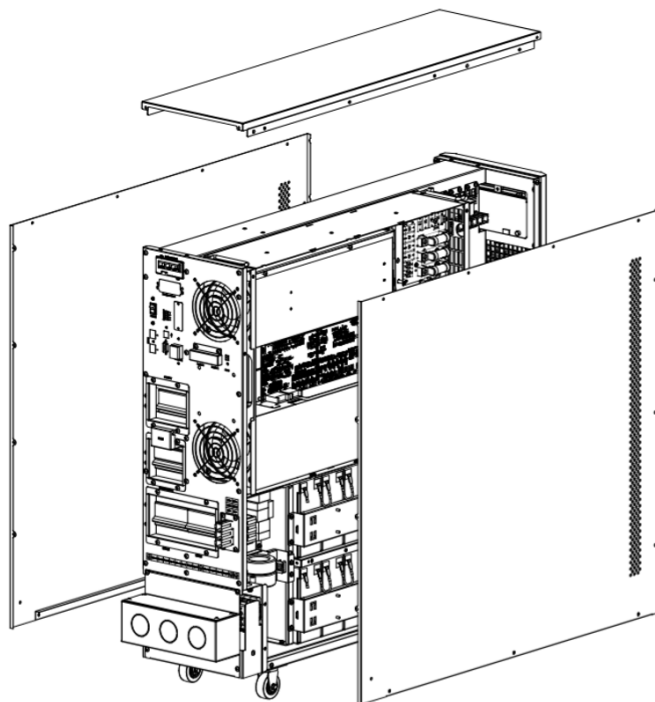


Figure 3-7 : Retirer les plaques du haut, de droite et de gauche.

3. Enlever les barres de support des batteries sur le côté droit et le côté gauche de l'onduleur (Figure 3-8).

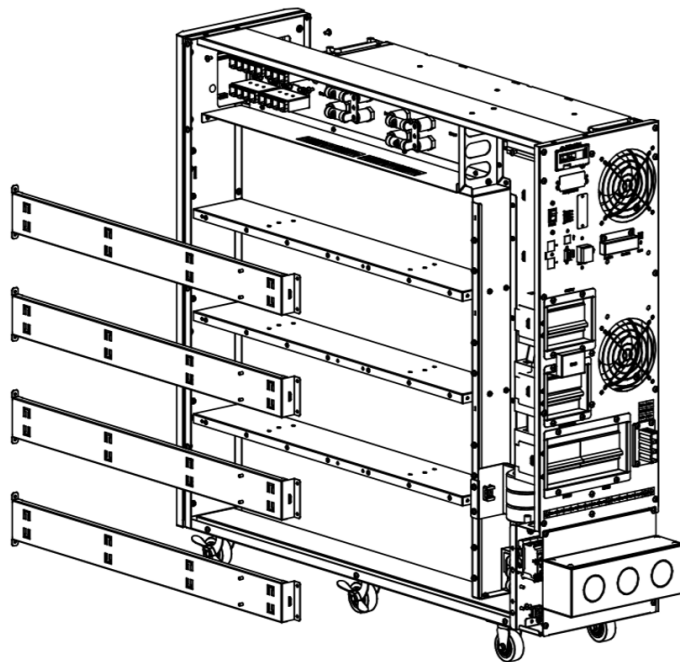
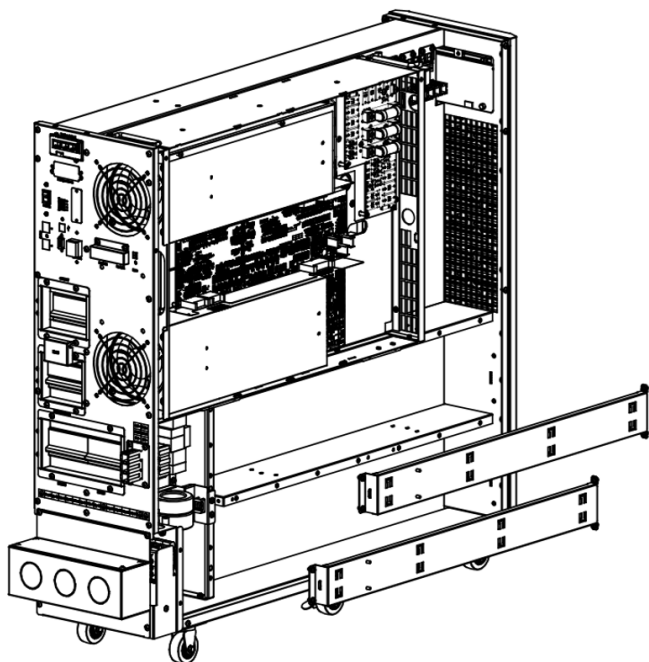


Figure 3-8 : Enlever les barres de support des batteries.

### 3. Installation et câblage

4. En travaillant de bas en haut, installer 10 batteries sur la première et la seconde étagère sur le côté droit de l'appareil (Figure 3-9). Toujours garder le côté de la borne de toutes les batteries tourné vers le haut.

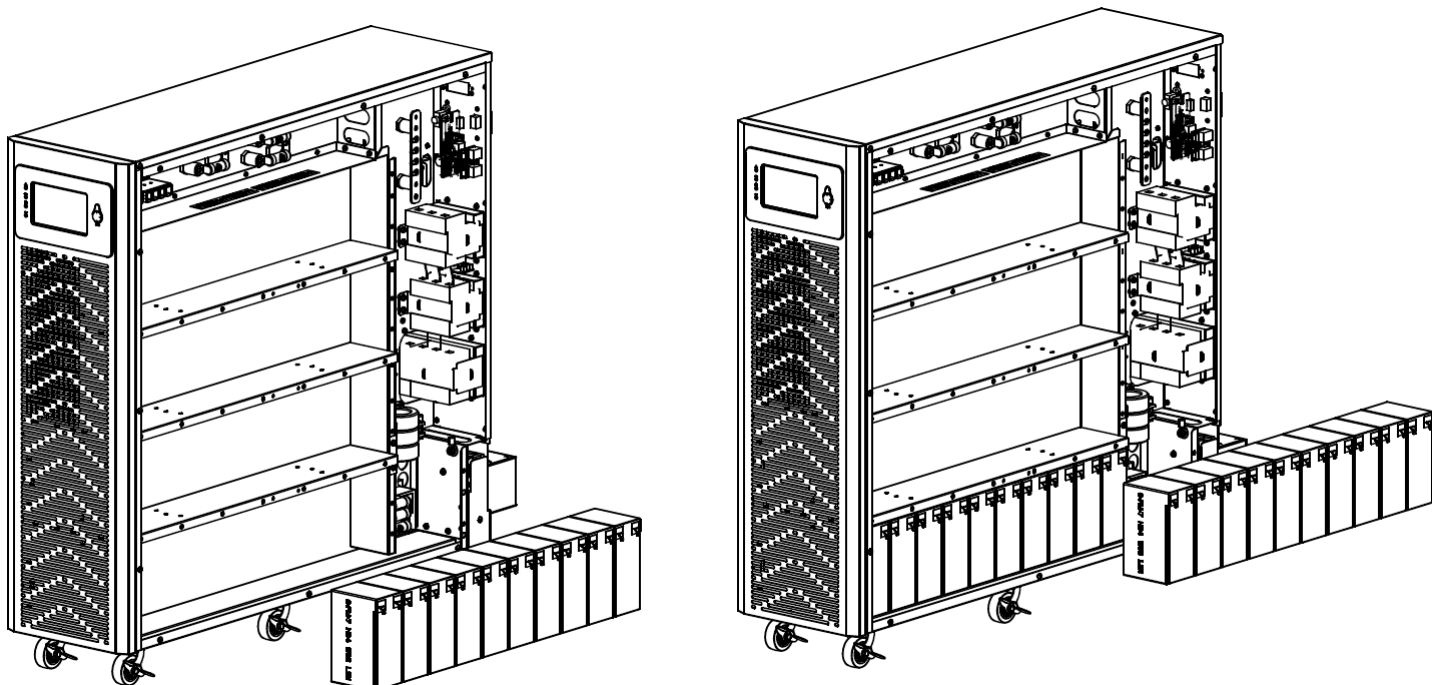


Figure 3-9 : Installer les batteries sur la première et la seconde étagère sur le côté droit.

5. Installer 10 batteries sur la troisième et la quatrième étagère sur le côté droit (Figure 3-10). Toujours garder le côté de la borne de toutes les batteries tourné vers le haut.

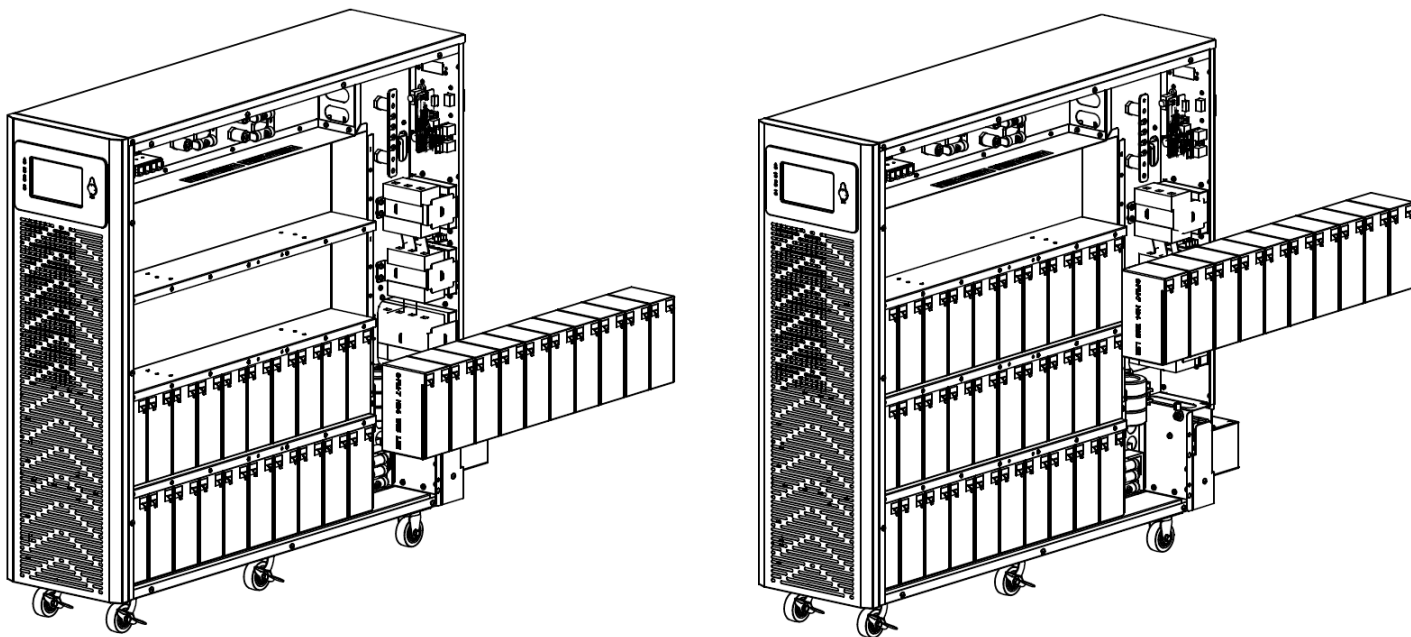


Figure 3-10 : Installer les batteries sur la troisième et la quatrième étagère sur le côté droit.

### 3. Installation et câblage

6. En travaillant de bas en haut, installer 10 batteries sur la première et la seconde étagère sur le côté gauche de l'appareil. Toujours garder le côté de la borne de toutes les batteries tourné vers le haut.

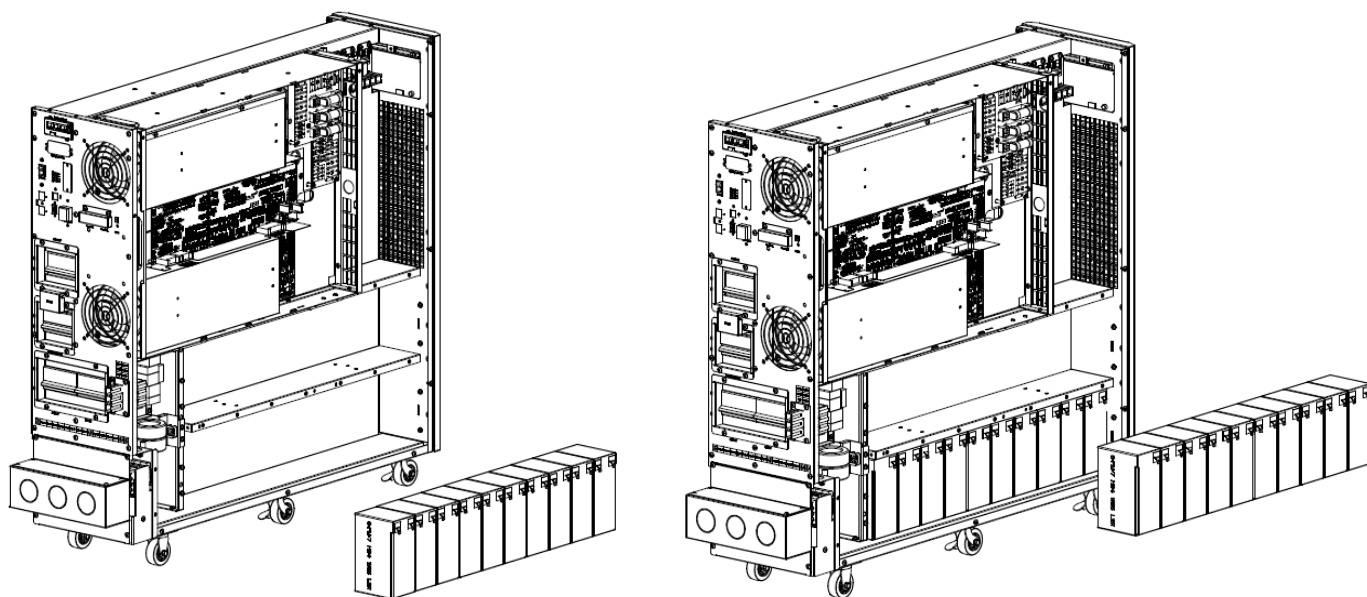


Figure 3-11 : Installer les batteries sur la première et la seconde étagère sur le côté gauche.

7. Remettre en place les six barres de support des batteries enlevées à l'étape 3 (Figure 3-12).

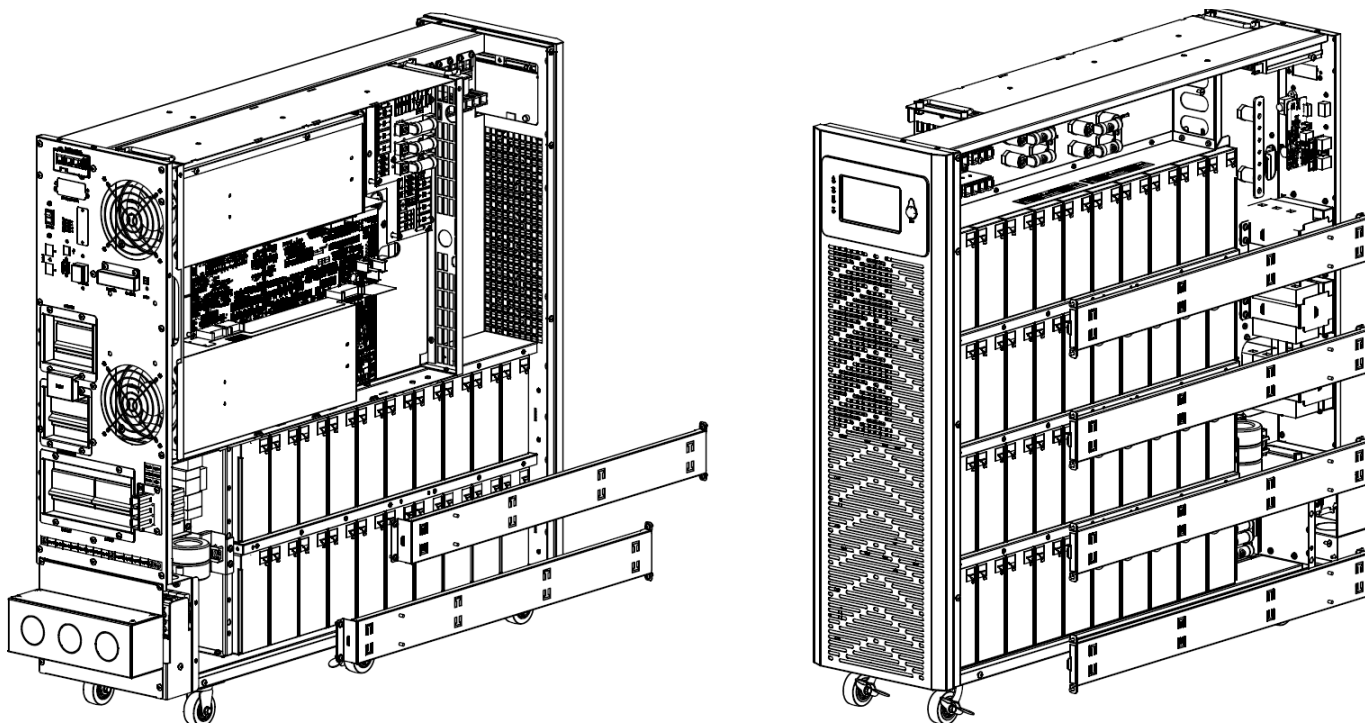


Figure 3-12 : Remettre les barres de support des batteries en place.

### 3. Installation et câblage

8. Connecter les câbles de raccordement des batteries des deux côtés de l'onduleur (Figure 3-13).
- Côté droit de l'onduleur : connecter les batteries avec 36 câbles de raccordement des batteries.
  - Côté gauche de l'onduleur : connecter les batteries avec 18 câbles de raccordement des batteries.

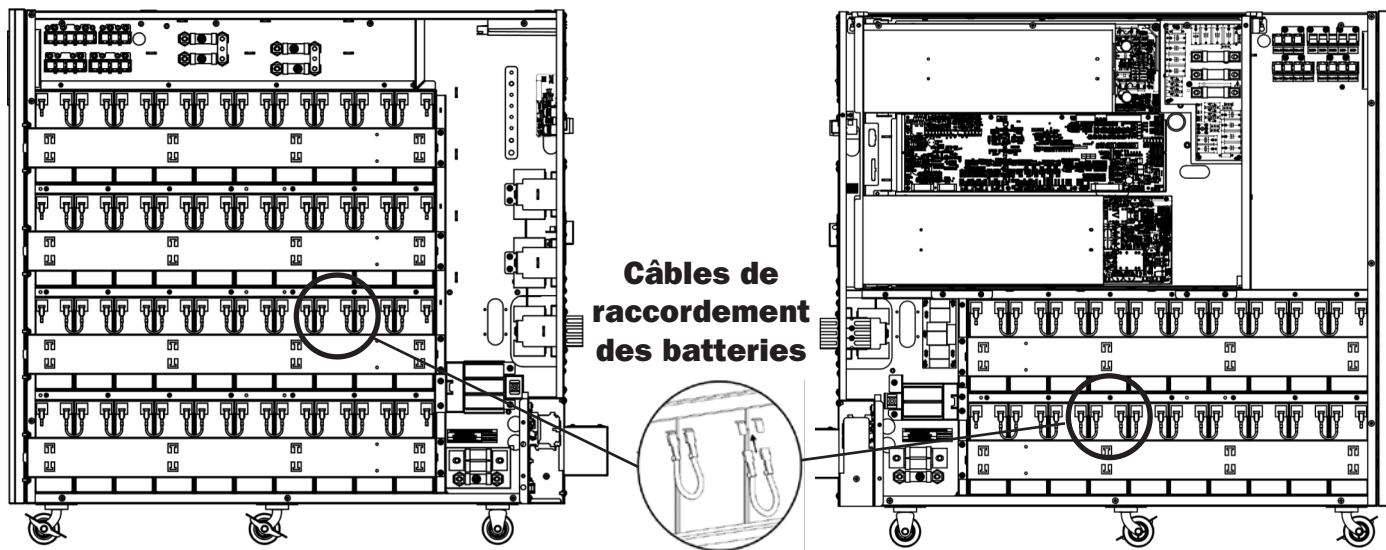


Figure 3-13 : connecter les câbles de raccordement des batteries

9. Connecter les trois modules de batteries au fusible positif (Figure 3-14).

**Remarques :**

- Pour les étapes 9 à 12, le couple de serrage pour la vis M6 est 5 N. m pour les fusibles et la barre du bus
- Pour les étapes 9 à 12, les numéros de câble font référence au schéma de câblage de la section 3.10 pour l'installation de 60 batteries.

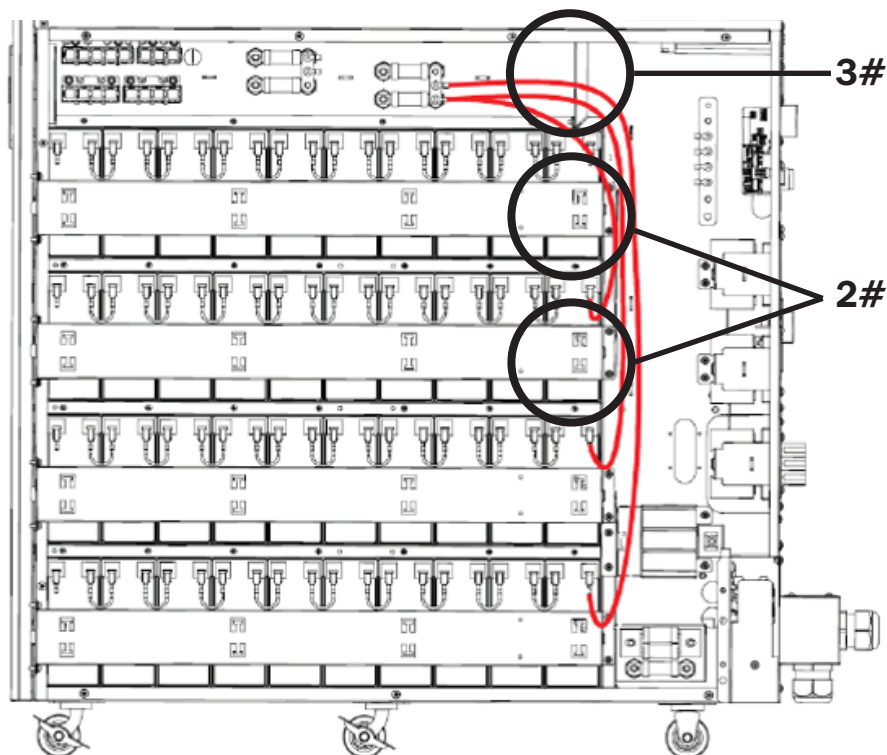


Figure 3-14 : connecter les modules de batteries au fusible positif

### 3. Installation et câblage

10. Connecter les quatre modules de batteries à la plaque en cuivre (pôle N) (Figure 3-15).

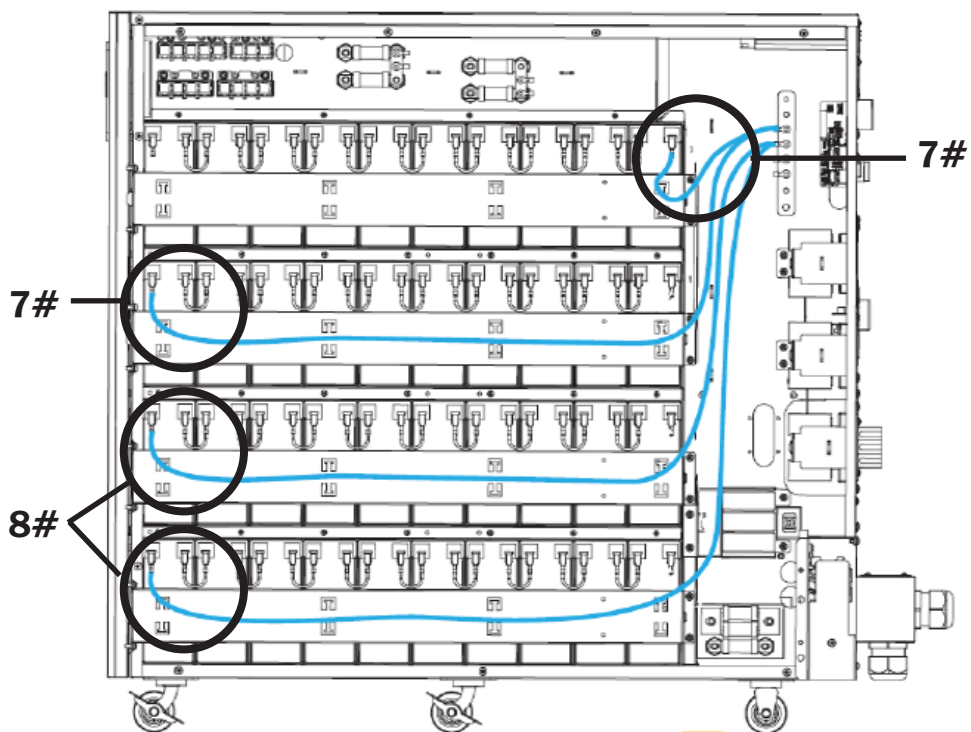


Figure 3-15 : connecter les modules de batteries de droite à la plaque en cuivre (pôle N).

11. Connecter les deux modules de batteries de gauche à la plaque en cuivre (pôle N) (Figure 3-16).

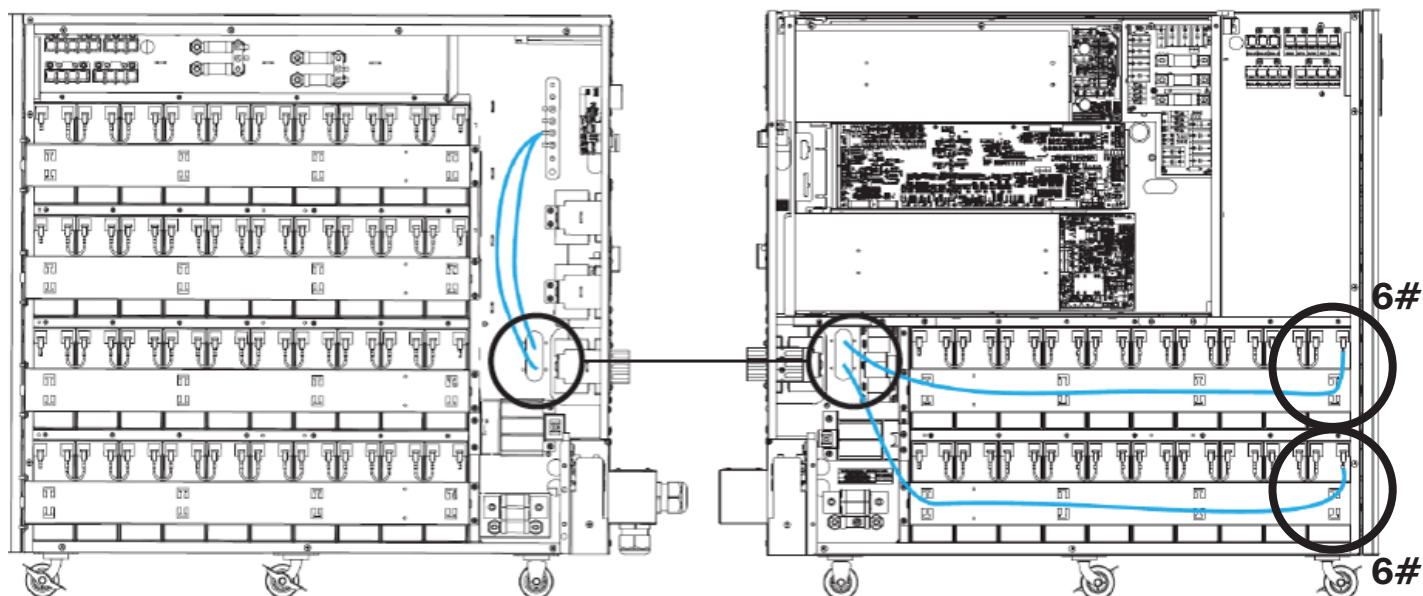


Figure 3-16 : connecter les modules de batteries de gauche à la plaque en cuivre (pôle N).

### 3. Installation et câblage

12. Connecter les bornes négatives des trois modules de batteries au fusible négatif (Figure 3-17).

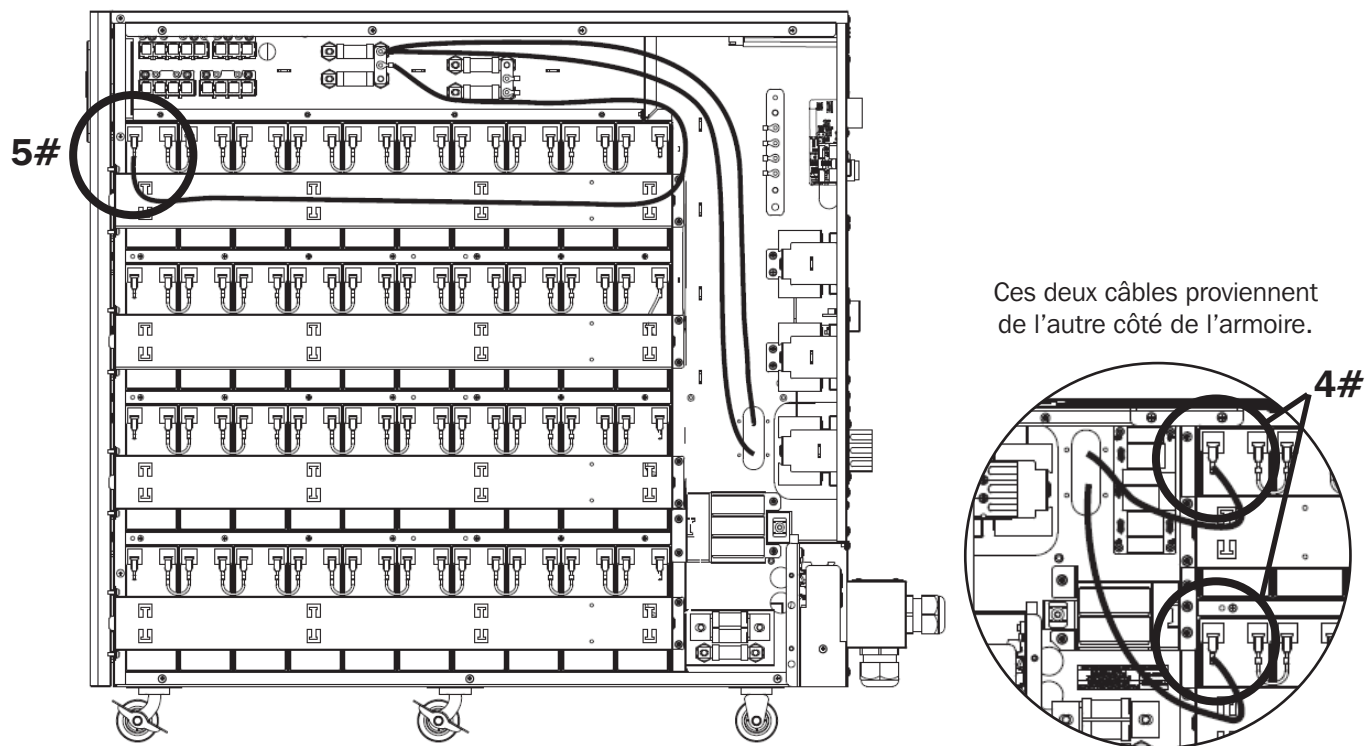
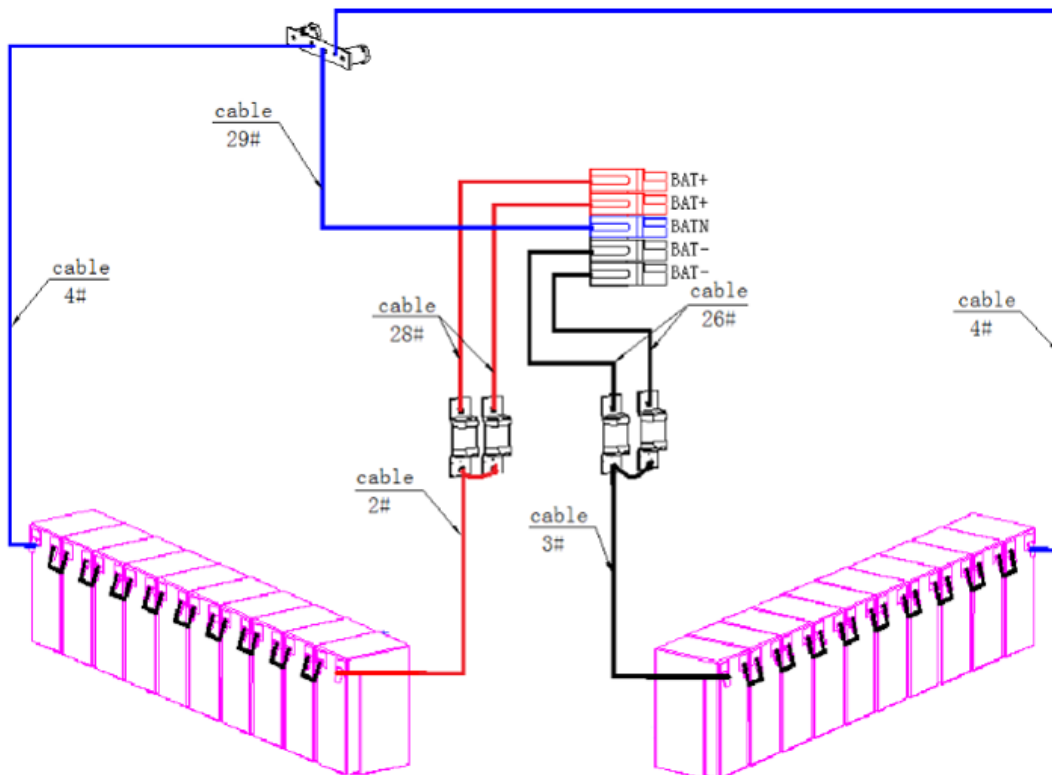


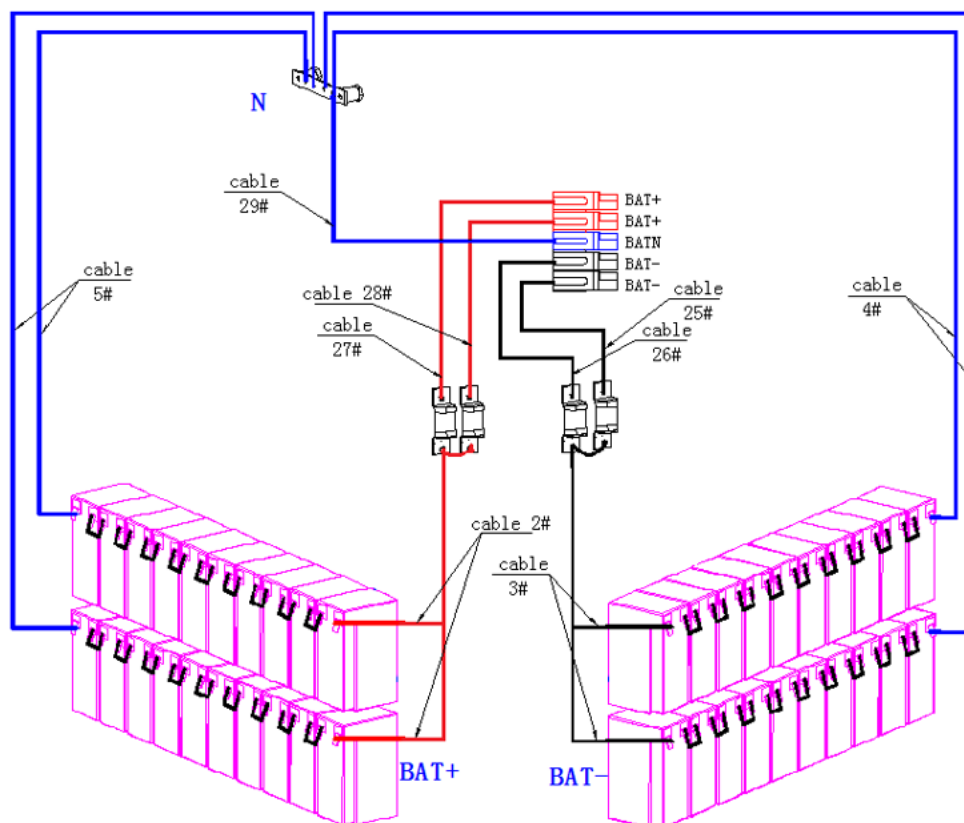
Figure 3-17 : connecter les modules de batteries au fusible négatif.

# 3. Installation et câblage

## 3.10 Connexion des batteries



*Schéma de câblage pour l'installation de 20 batteries*



*Schéma de câblage pour l'installation de 40 batteries*



### 3. Installation et câblage

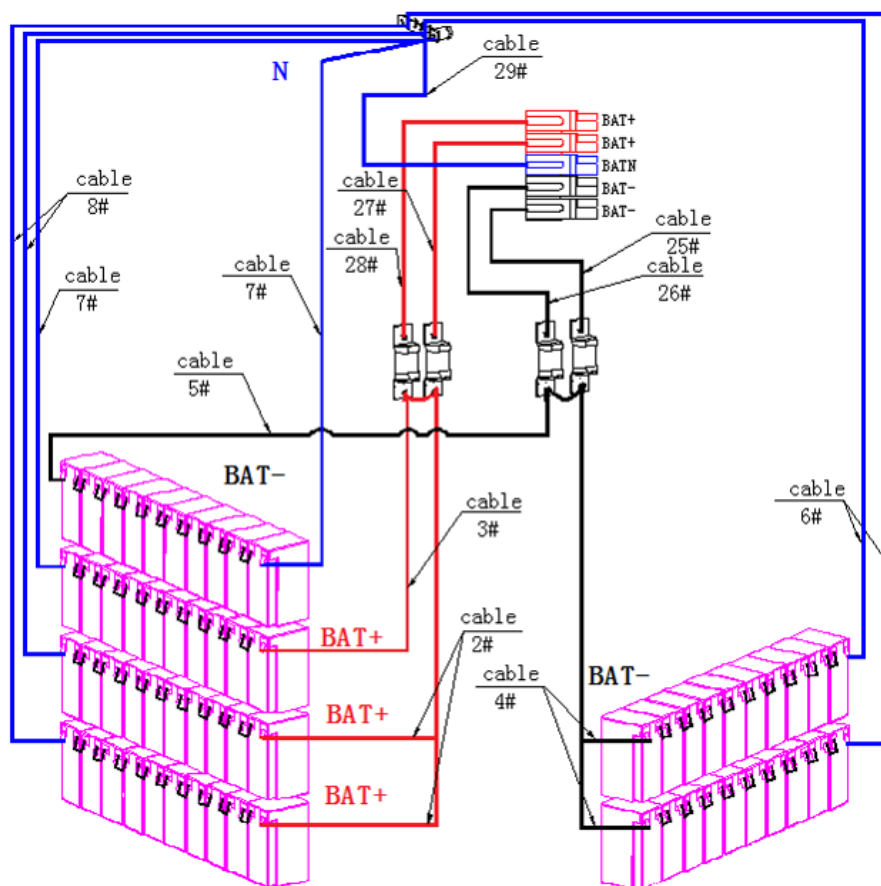


Schéma de câblage pour l'installation de 60 batteries

**Remarques :**

Le BAT+ des pôles de connexion de l'onduleur est connecté à l'anode de la batterie positive. Le BAT-N est connecté à la cathode de la batterie positive et à l'anode de la batterie négative. Le BAT- est connecté à la cathode de la batterie négative.

Les réglages d'usine de l'appareil standard sont :

Nombre de batteries – 20/40/60 pièces

Capacité des batteries – 12 V 9 AH maximum

## 3. Installation et câblage

### 3.11 Installation d'un seul onduleur

L'installation et le câblage doivent être effectués en conformité avec les codes locaux de l'électricité et les réglementations, et doivent être confiés uniquement à du personnel qualifié.

1. S'assurer que le fil et les disjoncteurs du secteur dans le bâtiment peuvent supporter la capacité nominale de l'onduleur pour éviter les secousses électriques ou les risques d'incendie.

**Remarque :** L'utilisation d'une prise murale comme source d'alimentation d'entrée pour l'onduleur crée un risque que la prise ne brûle ou ne soit détruite.

2. Mettre le commutateur du secteur en position Off (arrêt) dans le bâtiment avant l'installation.
3. Mettre tous les dispositifs connectés hors tension avant de les connecter à l'onduleur.
4. Préparer les câbles d'alimentation conformément au Tableau 3.2. Consulter le Tableau 3.3 pour le couple recommandé pour l'installation des vis. Consulter le Tableau 3.4 pour la taille des disjoncteurs d'entrée de l'onduleur et le Tableau 3.5 pour la taille des batteries et des disjoncteurs des armoires de batteries.



**AVERTISSEMENT : Avant de connecter des fils, s'assurer que l'entrée CA et l'alimentation par batterie sont complètement hors tension.**

**S'assurer de prendre connaissance de l'emplacement et du fonctionnement des isolateurs externes qui sont connectés à la source d'entrée/de dérivation de l'onduleur dans le panneau de distribution du secteur. Vérifier si ces sources sont isolées électriquement et afficher tout signe d'avertissement nécessaire pour prévenir tout fonctionnement accidentel.**

Tableau 3.2 : Câbles d'alimentation

Modèle du système ASC	Tailles recommandées pour les câbles - câblage THHW à 75 °C (167 °F)				
	Entrée CA	Sortie CA	Entrée CC	Mise à la terre	Neutre
<b>10kVA</b>	8 AWG 2 AWG (35 mm <sup>2</sup> ) maximum	8 AWG 2 AWG (35 mm <sup>2</sup> ) maximum	6 AWG 6 AWG maximum	8 AWG 2 AWG (35 mm <sup>2</sup> ) maximum	8 AWG 2 AWG (35 mm <sup>2</sup> ) maximum
<b>15kVA</b>	6 AWG 2 AWG (35 mm <sup>2</sup> ) maximum	6 AWG 2 AWG (35 mm <sup>2</sup> ) maximum	2 x 6 AWG 6 AWG maximum	6 AWG 2 AWG (35 mm <sup>2</sup> ) maximum	6 AWG 2 AWG (35 mm <sup>2</sup> ) maximum
<b>20 kVA</b>	4 AWG 2 AWG (35 mm <sup>2</sup> ) maximum	4 AWG 2 AWG (35 mm <sup>2</sup> ) maximum	2 x 6 AWG 6 AWG maximum	4 AWG 2 AWG (35 mm <sup>2</sup> ) maximum	4 AWG 2 AWG (35 mm <sup>2</sup> ) maximum

Tableau 3.3 : Couple recommandé pour l'installation des vis

Type de vis	Position			
	Entrée CA	Sortie CA	Mise à la terre	Neutre
<b>Type de vis</b>	M6	M6	M6	M6
<b>Couple recommandé (Nm)</b>	6,5	6,5	6,5	6,5

Tableau 3.4 : Disjoncteurs d'entrée de l'onduleur

Modèle du système ASC	Capacité	Disjoncteur d'entrée thermomagnétique de l'onduleur
S3M10K1B	10 kW	50 A, 3 pôles, C-Curve
S3M10K2B		
S3M10K3B		
S3M10K-NIB		
S3M15K2B	15 kW	63 A, 3 pôles, C-Curve
S3M15K3B		
S3M15K-NIB		
S3M20K3B	20 kW	80 A, 3 pôles, C-Curve
S3M20K-NIB		

## 3. Installation et câblage

Tableau 3.5 : Batteries et disjoncteurs des armoires de batteries. Toutes les armoires de batteries sont testées conformément à ISTA-3B.

Modèle de l'armoire de batteries	Batteries incluses	Nombre de batteries et capacité Ah	Disjoncteurs	à action instantanée
BP240V09 / 09K	Oui	80 x 9 Ah	1 x 125 A, 3 pôles	2 x 160 A
BP240V09-NIB	Non	Conçu pour 80 x 9 Ah	1 x 125 A, 3 pôles	2 x 160 A
BP240V40	Oui	20 x 40 Ah	1 x 250 A, 3 pôles	4 x 250 A
BP240V40L	Oui	40 x 40 Ah	1 x 250 A, 3 pôles	4 x 250 A
BP240V40-NIB	Non	Conçu pour 20 (CSB GP12400i) x 40 AH	1 x 250 A, 3 pôles	4 x 250 A
BP240V40L-NIB	Non	Conçu pour 40 (CSB GP12400i) x 40 Ah	1 x 250 A, 3 pôles	4 x 250 A

### 3.12 Connexion du câble d'alimentation d'entrée simple

Une fois l'équipement positionné et sécurisé, connecter les câbles d'alimentation tel que décrit dans la procédure ci-dessous.

Vérifier que l'onduleur est complètement isolé de sa source d'alimentation externe et que tous les isolateurs de puissance de l'onduleur sont ouverts. S'assurer qu'ils sont isolés électriquement et afficher tout signe d'avertissement nécessaire pour prévenir leur fonctionnement indépendant.

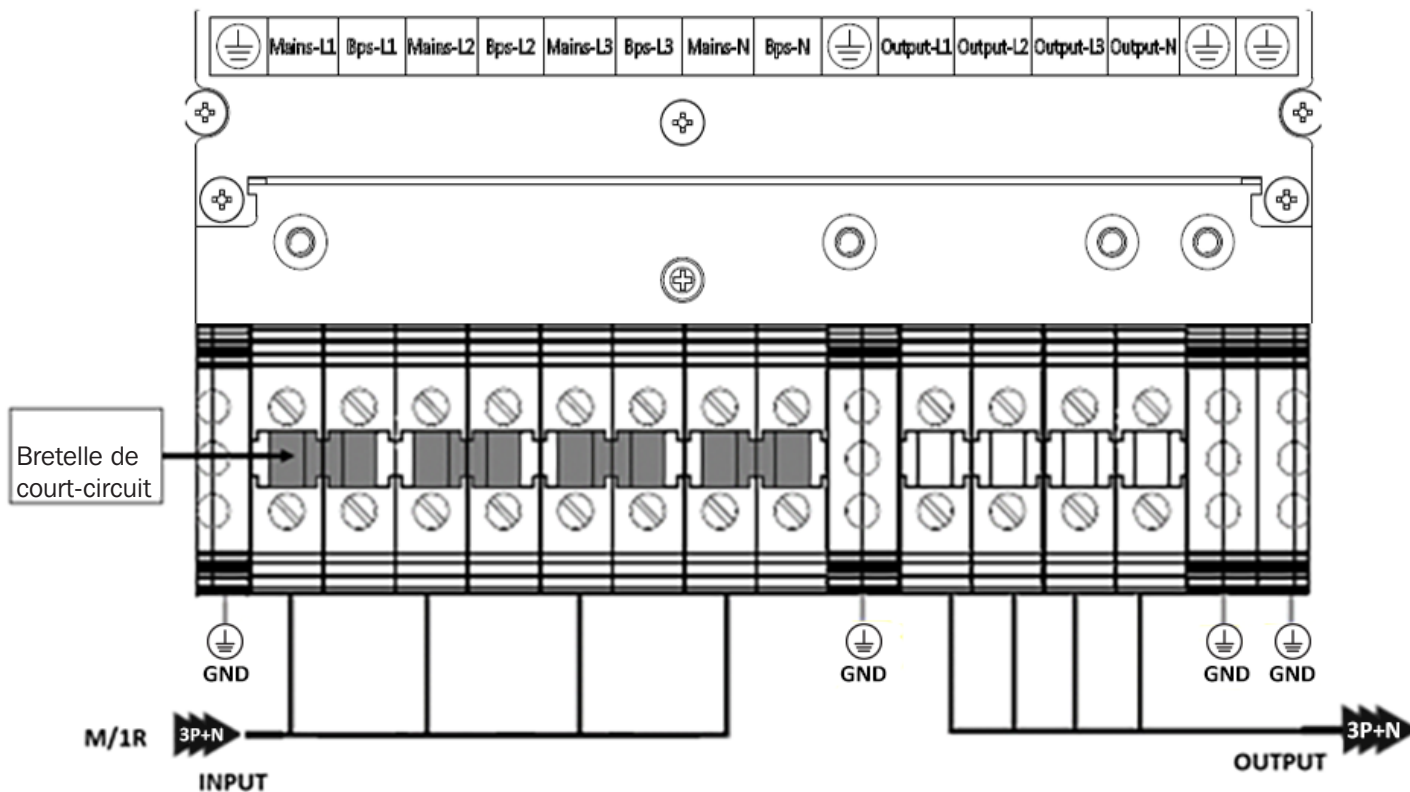
Enlever le couvercle du bloc de jonction pour accéder à l'entrée de l'onduleur, à la sortie et aux bornes de connexion de mise à la terre. Connecter ensuite les fils conformément au schéma du bloc de jonction illustré ci-dessous. Connecter d'abord les fils de mise à la masse/terre au moment de connecter d'autres fils.

#### Remarques :

- S'assurer que les fils sont raccordés fermement et solidement aux bornes.
- Installer le disjoncteur de sortie entre la borne de sortie et la charge. Le disjoncteur doit être certifié pour offrir une protection contre les fuites de courant.
- Le câblage doit être protégé par un conduit flexible acheminé à travers les entrées défonçables appropriées dans le couvercle du bloc de jonction.
- S'assurer également d'ajouter un fil de mise à la terre d'équipotentialité entre l'onduleur et les armoires de batteries externes.

## 3. Installation et câblage

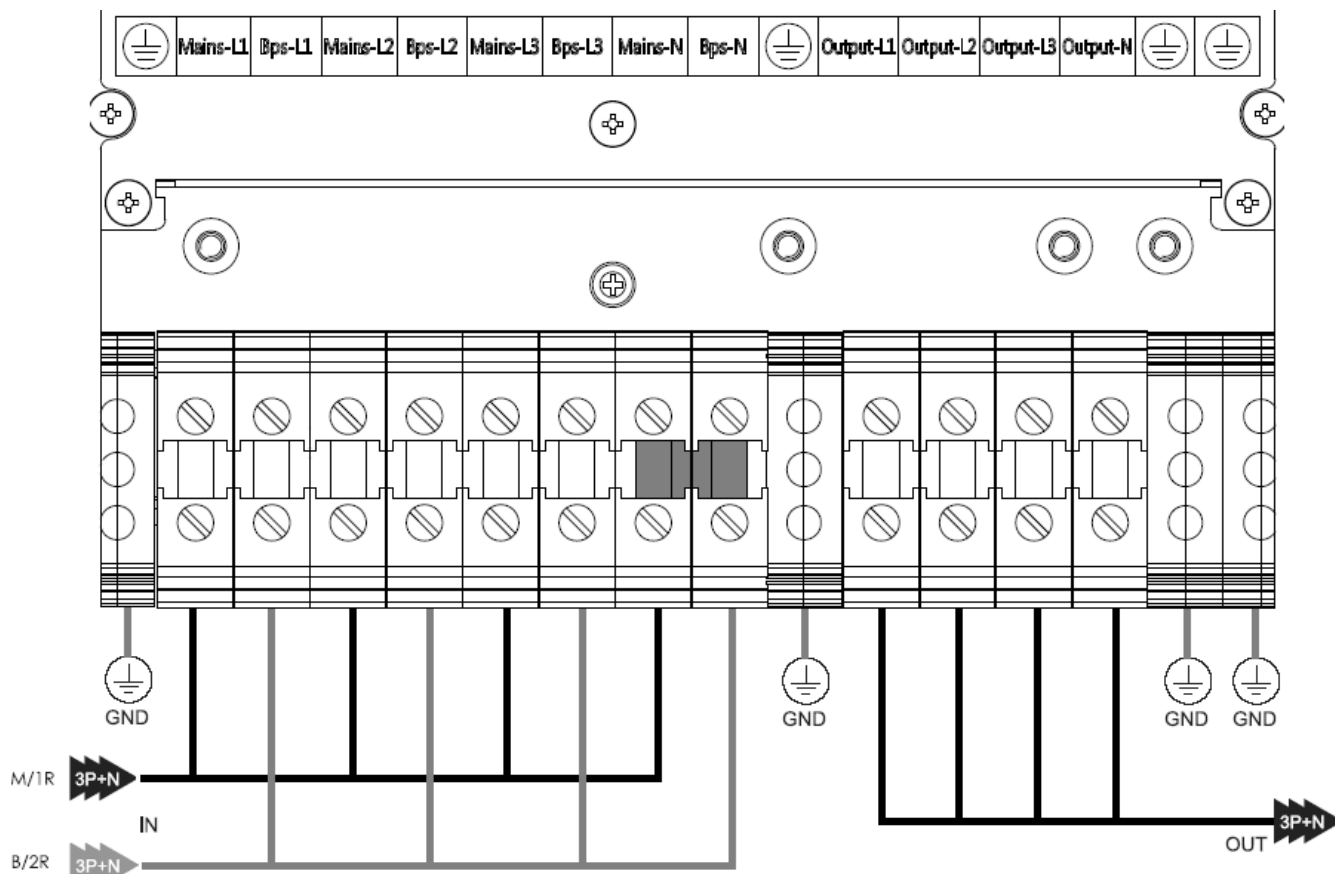
### 3.12.1 Connexion d'entrée simple (secteur)



CONNEXION D'ENTRÉE PRINCIPALE M/1R (secteur)	CONNEXION DE LA SORTIE ET DES BATTERIES
	<b>Output-L1</b> : phase de sortie L1
<b>Input -L1</b> : phase d'entrée principale L1	<b>Output-L2</b> : phase de sortie L2
<b>Input -L2</b> : phase d'entrée principale L2	<b>Output-L3</b> : phase de sortie L3
<b>Input -L3</b> : phase d'entrée principale L3	<b>Output-N</b> : neutre de sortie
<b>Input-N</b> : neutre d'entrée pour l'entrée principale et secondaire	<b>GND</b> : mise à la masse
	<b>BAT+</b> : borne positive de l'ensemble de batteries
	<b>BATN</b> : borne neutre de l'ensemble de batteries
	<b>BAT-</b> : borne négative de l'ensemble de batteries

## 3. Installation et câblage

### 3.13 Connexions d'entrée double (secteur et dérivation)



CONNEXION D'ENTRÉE PRINCIPALE M/1R (secteur)	CONNEXION DE LA SORTIE ET DES BATTERIES
<b>ENTRÉE B/2R SECONDAIRE - DÉRIVATION (Bps)</b>	<b>Output-L1</b> : phase de sortie L1
<b>Mains-L1</b> : phase d'entrée principale L1	<b>Output-L2</b> : phase de sortie L2
<b>Mains-L2</b> : phase d'entrée principale L2	<b>Output-L3</b> : phase de sortie L3
<b>Mains-L3</b> : phase d'entrée principale L3	<b>Output-N</b> : neutre de sortie
<b>Input-N</b> : neutre d'entrée pour l'entrée principale et secondaire	<b>GND</b> : mise à la masse
<b>Bps-L1</b> : phase d'entrée secondaire L1	<b>BAT+</b> : borne positive de l'ensemble de batteries
<b>Bps-L2</b> : phase d'entrée secondaire L2	<b>BATN</b> : borne neutre de l'ensemble de batteries
<b>Bps-L3</b> : phase d'entrée secondaire L3	<b>BAT-</b> : borne négative de l'ensemble de batteries



**AVERTISSEMENT** : Dans le cas d'un fonctionnement à deux entrées, s'assurer que la bretelle de court-circuit entre chaque ligne d'entrée a été enlevée. L'alimentation d'entrée CA et l'alimentation de dérivation CA doivent être représentées par le même point neutre.

Choisir le câble d'alimentation approprié (consulter le Tableau 3.2 ci-dessus).

## 3. Installation et câblage

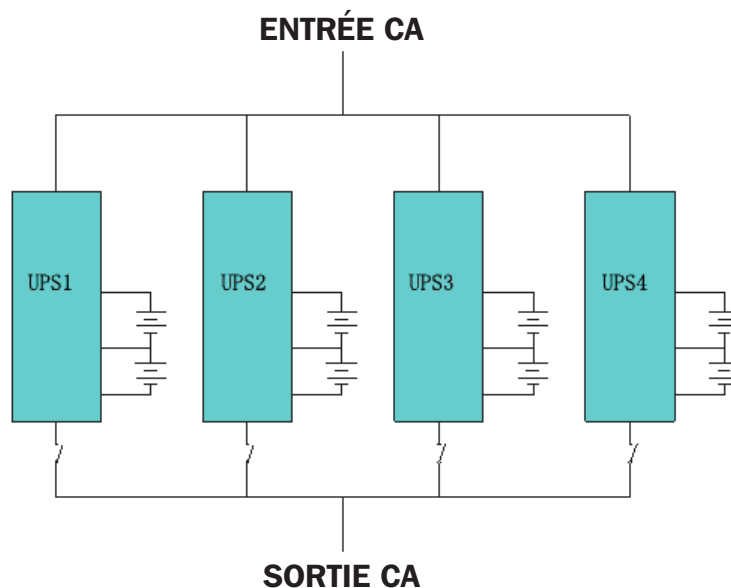
### 3.14 Installation de l'onduleur pour les systèmes en parallèle



**AVERTISSEMENT :** L'installation et le câblage doivent être effectués en conformité avec les codes locaux et les réglementations et l'installation doit être confiée uniquement à un technicien du service électrique qualifié qui devra procéder en suivant les instructions suivantes.

#### Installation de l'armoire

Raccorder l'onduleur pour une installation en parallèle selon le schéma ci-dessous.



S'assurer que chaque disjoncteur d'entrée de l'onduleur se trouve en position « off » (désactivé) et qu'il n'y a aucune sortie provenant de tout onduleur connecté. Les groupes de batteries peuvent être connectés séparément ou en parallèle, ce qui signifie que le système même fournit à la fois la batterie individuelle et la batterie commune.



**AVERTISSEMENT!** S'assurer que les lignes N, L1, L2 et L3 sont correctes et que la mise à la terre est bien connectée.

#### 3.14.1 Installation de câbles en parallèle

Les câbles de contrôle blindés et à double isolation disponibles doivent être interconnectés dans une configuration en anneau entre les onduleurs tel qu'illustré à la Figure 3-18. La configuration en anneau permet d'assurer une haute fiabilité du contrôle. Utiliser uniquement les câbles en parallèle fournis par Tripp Lite.

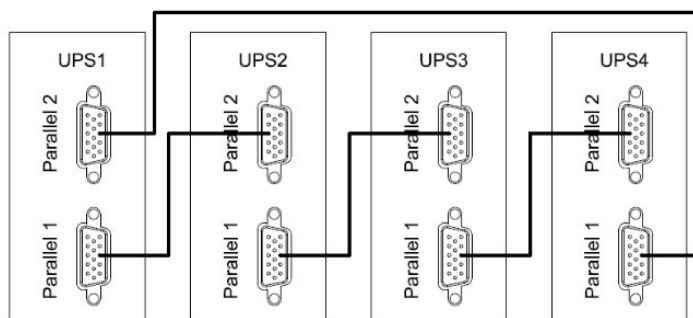


Figure 3-18 : Installation des câbles en parallèle

## 3. Installation et câblage

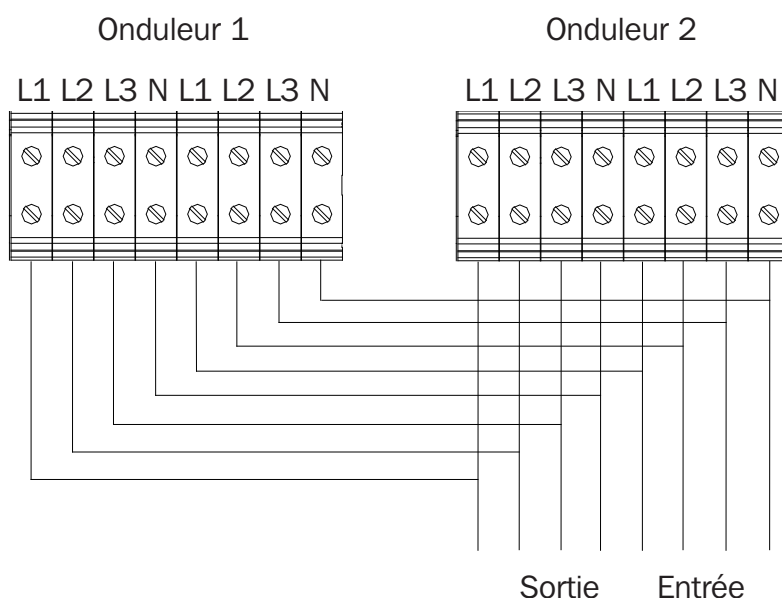
### 3.14.2 Configuration requise en parallèle

Un groupe d'onduleurs connectés en parallèle pour une meilleure capacité ou redondance se comporte comme un seul onduleur, mais avec l'avantage d'une plus grande fiabilité. Pour s'assurer que tous les onduleurs connectés sont utilisés de la même façon et en conformité avec les codes du câblage, respecter les exigences suivantes :

1. Tous les onduleurs doivent avoir la même valeur nominale et être connectés à la même source de dérivation.
2. Les sorties de tous les onduleurs doivent être connectées à un bus de sortie commun.
3. La longueur et les caractéristiques techniques des câbles d'alimentation, y compris les câbles d'entrée de dérivation et les câbles de sortie de l'onduleur, doivent être les mêmes. Cela permet de faciliter le partage de la charge lors du fonctionnement en mode de dérivation.

La configuration en parallèle prend en charge jusqu'à quatre onduleurs ayant la même puissance nominale en kVA. Ne pas tenter de lier plus de quatre onduleurs via une configuration en parallèle.

1. Installer et câbler l'onduleur comme illustré à la Figure 3-19.
2. Au moment d'installer le système en parallèle, la longueur des fils d'entrée (L1, L2, L3, N) dans un onduleur doit être égale aux fils d'entrée de l'autre onduleur. De la même façon, la longueur des fils de sortie (L1, L2, L3, N) doit également être d'une longueur égale. Sinon, cela créera du courant déséquilibré sur la charge de sortie.
3. Raccorder le câblage d'entrée de chaque onduleur à un disjoncteur d'entrée.
4. Raccorder le câblage de tous les disjoncteurs d'entrée à un disjoncteur d'entrée principal.
5. Raccorder le câblage de sortie de chaque onduleur à un disjoncteur de sortie.
6. Raccorder tous les disjoncteurs de sortie à un disjoncteur de sortie principal. Ce disjoncteur de sortie principal sera directement connecté aux charges.
7. Si un module de batteries externe est utilisé, chaque onduleur doit être connecté à un module de batteries indépendant ou à un module de batteries commun.

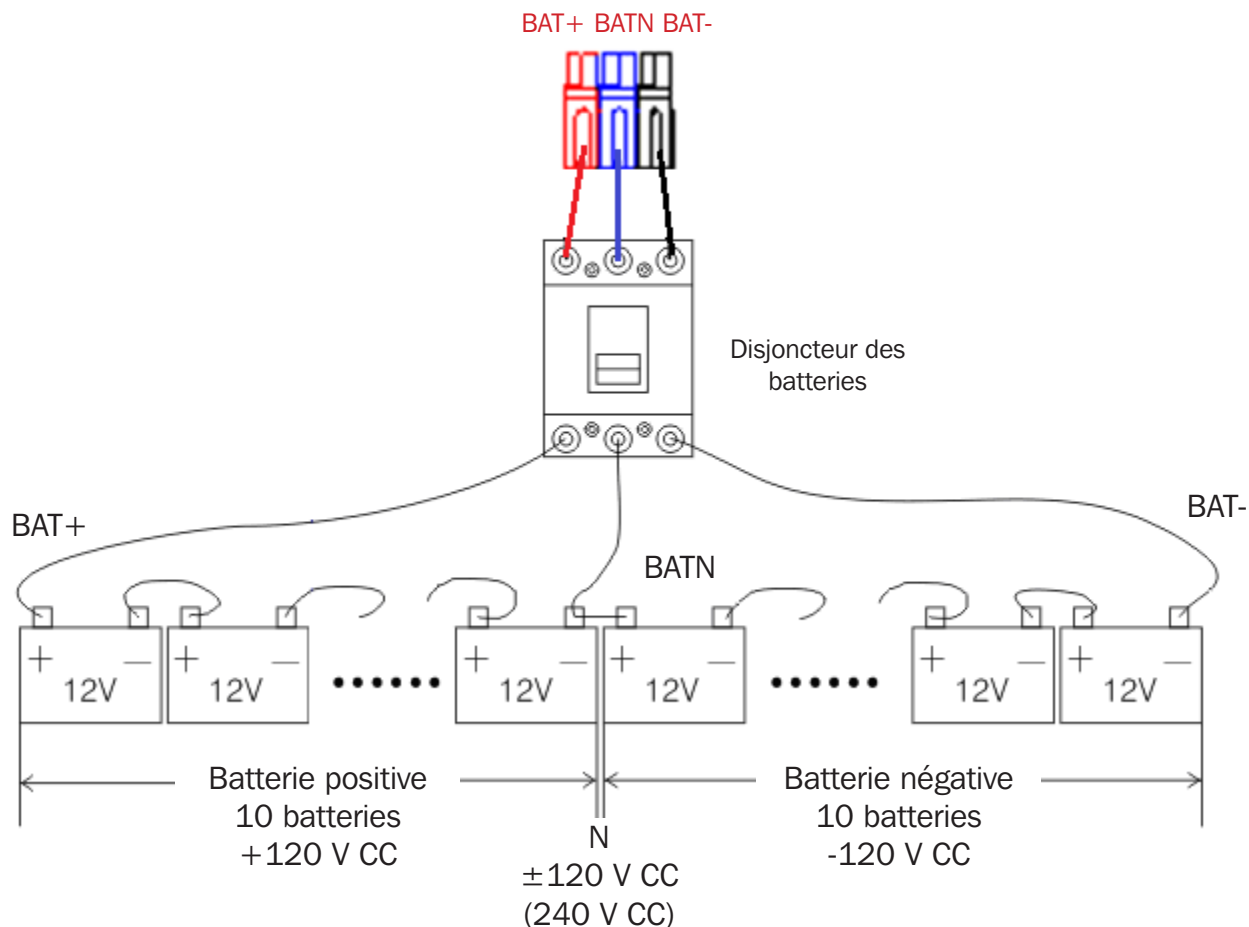


**Remarque :** consulter la section 4.3.6.2 étapes 1 et 2 pour obtenir des informations sur la configuration en parallèle de l'onduleur.

## 3. Installation et câblage

### 3.15 Connexions des batteries externes

L'onduleur a un cadre de batteries doubles positives et négatives, avec un total de 20 batteries en série. Un câble neutre est extrait du joint entre la cathode de la dixième batterie et l'anode de la dixième batterie. Puis le câble neutre, le positif de la batterie et le négatif de la batterie, respectivement, sont connectés à l'onduleur. Les ensembles de batteries entre l'anode de la batterie et le neutre sont appelés des batteries positives, et celles entre le neutre et la cathode sont appelées les batteries négatives. Consulter la section **3.9.1 Compatibilité de l'onduleur et de l'armoire de batteries**.



#### Remarques :

- Le BAT+ des pôles de connexion de l'onduleur est connecté à l'anode de la batterie positive.
- Le BAT-N est connecté à la cathode de la batterie positive et à l'anode de la batterie négative.
- Le BAT- est connecté à la cathode de la batterie négative.
- Les réglages par défaut de l'appareil de longue durée sont pour 20 batteries. Au moment de connecter les batteries (en multiples de 20), configurer le bon nombre de batteries et la capacité après le démarrage de l'onduleur en mode CA. Le courant du chargeur s'ajuste automatiquement selon la capacité des batteries sélectionnée. Tous les réglages connexes peuvent être effectués par le biais du panneau ACL ou le logiciel de surveillance.



#### DANGER!

S'assurer que la polarité de la connexion en série de l'ensemble de batteries est correcte, c.-à-d. que les connexions inter-niveaux et inter-blocs sont des bornes (+) aux bornes (-).

Ne pas combiner des batteries de différentes capacités ou de différentes marques. Ne pas combiner des batteries vieilles et neuves.



#### AVERTISSEMENT!

S'assurer que la polarité des connexions d'extrémité des ensembles vers le disjoncteur des batteries et du disjoncteur des batteries vers les bornes de l'onduleur est correcte, c.-à-d. (+) à (+)/(-) à (-), mais déconnecter un ou plusieurs liens des éléments de batteries dans chaque niveau. Ne pas reconnecter ces liens et ne pas fermer le disjoncteur des batteries à moins d'avoir obtenu l'autorisation du technicien de la mise en service.



## 3. Installation et câblage

### Connexions de plusieurs modules de batteries



**DANGER!**

S'assurer que la polarité de la connexion en série de l'ensemble de batteries est correcte. **NE PAS** combiner des batteries de différentes capacités ou de différentes marques, ou des batteries vieilles et neuves.



**AVERTISSEMENT!**

S'assurer que la polarité des connexions d'extrémité des ensembles vers le disjoncteur des batteries et du disjoncteur des batteries vers les bornes de l'onduleur est correcte, c.-à-d. (+) à (+)/(-) à (-)/(N) à (N)). Déconnecter un ou plusieurs liens des éléments de batteries dans chaque niveau. Ne pas reconnecter ces liens et ne pas fermer le disjoncteur des batteries à moins que toutes les connexions aient été correctement vérifiées et approuvées.

### 3.15.1 Installation et configuration

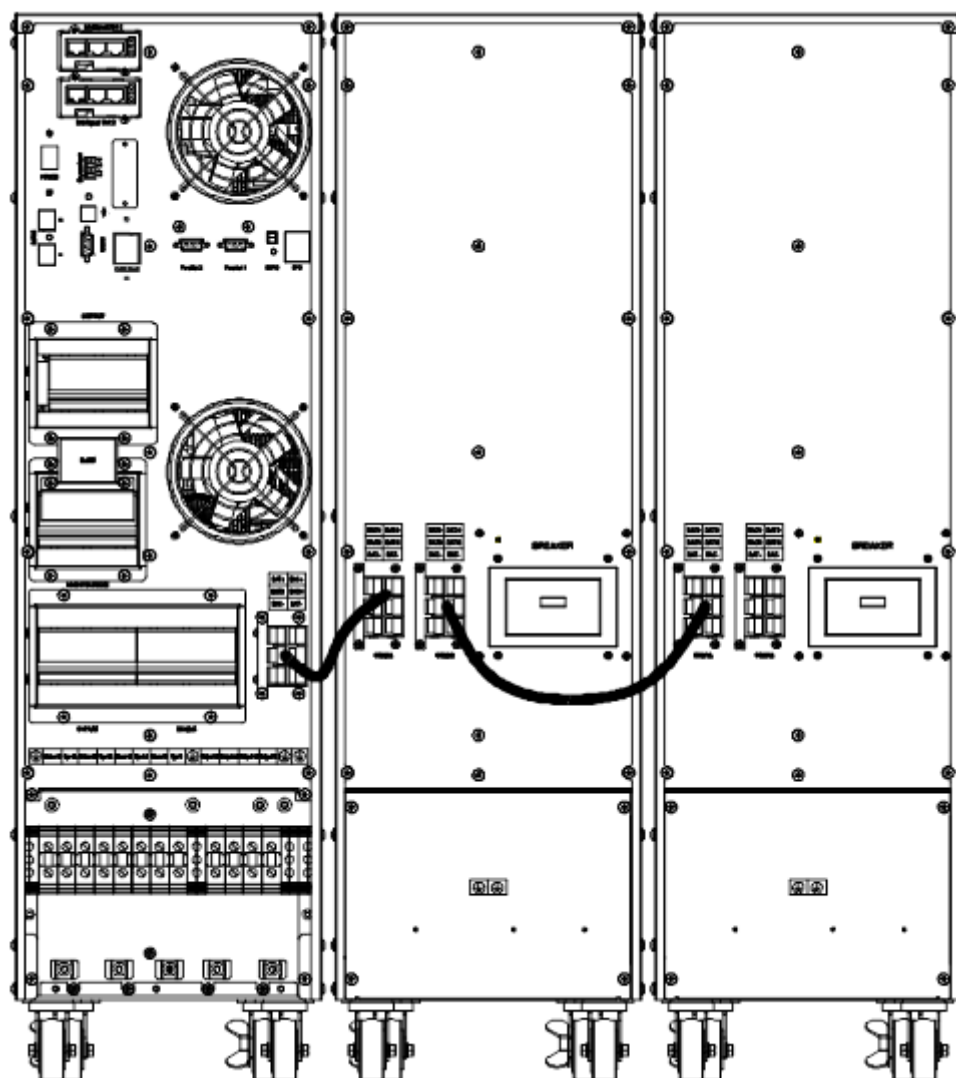


Figure 3-19 : Connexion des batteries de 10 kVA, 15 kVA et 20 kVA

**Remarque :** Avant l'installation, inspecter l'appareil. Tout dommage à l'emballage doit être pris en note au moment de la réception avec le transporteur chargé de la livraison. S'assurer que rien à l'intérieur de l'emballage n'est endommagé. Conserver le matériel d'emballage original dans un lieu sûr pour utilisation future.

Retirer l'ensemble de rail, le boîtier des batteries et les modules de batteries de l'emballage.

**Remarque :** Les modules de batteries sont très lourds. Faire preuve de prudence au moment de déballer et de soulever l'appareil pour éviter les blessures.

**Remarque :** Consulter la section 4.3.6.2, étape 4, pour des informations sur la configuration de la capacité Ah de la batterie, le nombre de batteries et le nombre d'armoires de batteries.

# 4. Fonctionnement

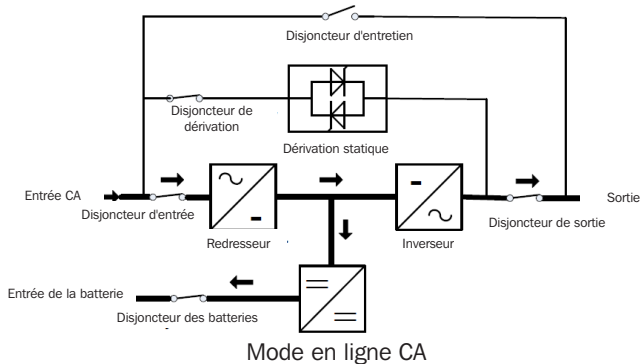
## 4.1 Modes de fonctionnement

L'onduleur est un onduleur en ligne double conversion qui peut fonctionner dans les modes alternatifs suivants :

### 4.1.1 Mode en ligne CA

Le redresseur/chargeur dérive l'alimentation du secteur CA et fournit de l'alimentation CC à l'inverseur tout en fournissant simultanément une charge d'entretien et une charge rapide à la batterie. L'inverseur convertit ensuite la puissance CC en puissance CA, et fournit la charge.

#### ENTRÉE SIMPLE : entrée du secteur



#### ENTRÉE DOUBLE : entrée du secteur et entrée de dérivation

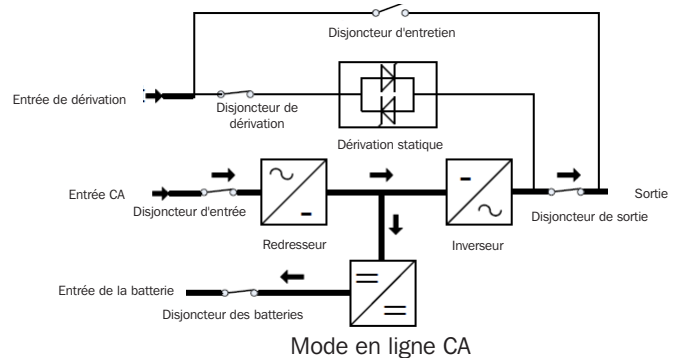
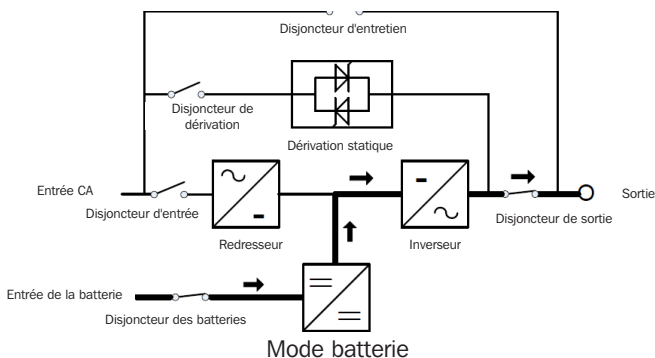


Figure 4-1 : Mode en ligne CA

### 4.1.2 Mode batterie

Si l'alimentation d'entrée CA du secteur tombe en panne, l'inverseur, qui est alimenté par les batteries, fournit la charge critique CA. Il n'y a aucune interruption du courant vers la charge critique. L'onduleur retournera automatiquement en mode normal lorsque l'alimentation CA sera rétablie.

#### ENTRÉE SIMPLE : entrée du secteur



#### ENTRÉE DOUBLE : entrée du secteur et entrée de dérivation

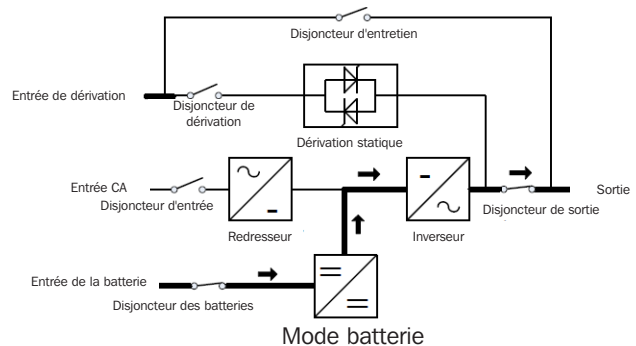


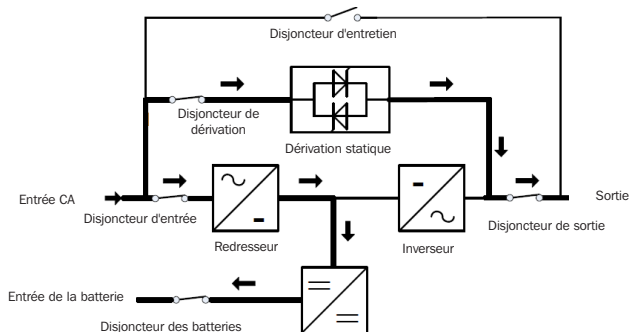
Figure 4-2 : Mode batterie

## 4. Fonctionnement

### 4.1.3 Mode de dérivation

Si l'inverseur est en panne, ou s'il se produit une surcharge, le commutateur de transfert statique s'activera pour transférer la charge de l'alimentation de l'inverseur à l'alimentation de dérivation sans interruption vers la charge critique. Si la sortie de l'inverseur n'est pas synchronisée avec la source de dérivation CA, le commutateur statique effectuera un transfert de la charge de l'inverseur vers la dérivation avec une coupure de courant vers la charge critique CA. Cela permet d'éviter la mise en parallèle de sources CA non synchronisées. Cette interruption est programmable, mais est normalement configurée pour être inférieure à un cycle électrique, p. ex. inférieure à 15 ms (50 Hz) ou inférieure à 13,33 ms (60 Hz).

#### ENTRÉE SIMPLE : entrée du secteur



#### ENTRÉE DOUBLE : entrée du secteur et entrée de dérivation

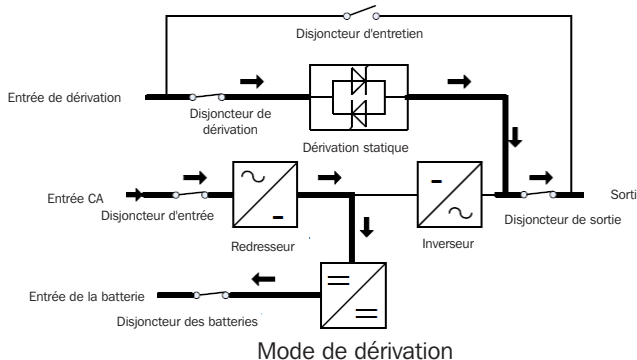


Figure 4-3 : Mode de dérivation

### 4.1.4 Mode ECO

Lorsque l'onduleur se trouve en mode CA et que la demande vers la charge n'est pas critique, l'onduleur peut être configuré en mode ECO pour accroître l'efficacité de l'alimentation fournie. En mode ECO, l'onduleur fonctionne en mode interactif en ligne, de sorte que l'onduleur passera à l'alimentation de dérivation. Lorsque l'alimentation CA se situe à l'extérieur de la plage de configuration, l'onduleur passera de la dérivation à l'inverseur et fournira de l'alimentation de la batterie, puis l'affichage ACL affichera toutes les informations connexes sur l'écran. L'onduleur passera par défaut en mode ECO après la mise sous tension.

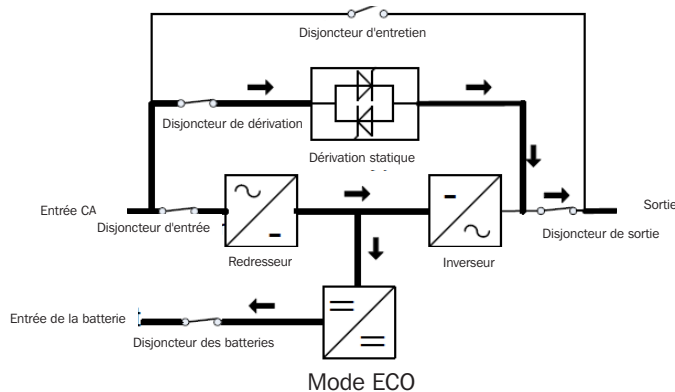


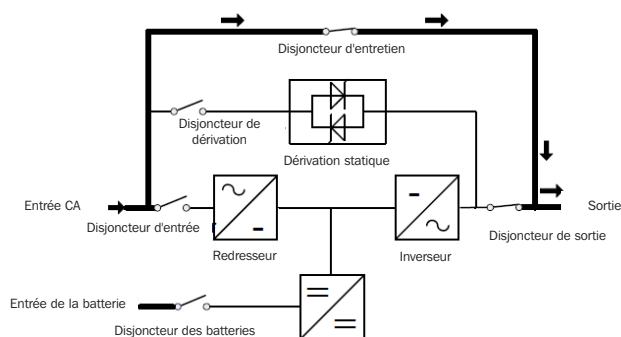
Figure 4-4 : Mode ECO

## 4. Fonctionnement

### 4.1.5 Mode d'entretien

Un commutateur de dérivation manuelle est disponible pour assurer la continuité de l'alimentation vers la charge critique lorsque l'onduleur est en panne ou en réparation, et ce commutateur de dérivation manuelle prend en charge la charge nominale équivalente.

#### ENTRÉE SIMPLE : entrée du secteur



#### ENTRÉE DOUBLE : entrée du secteur et entrée de dérivation

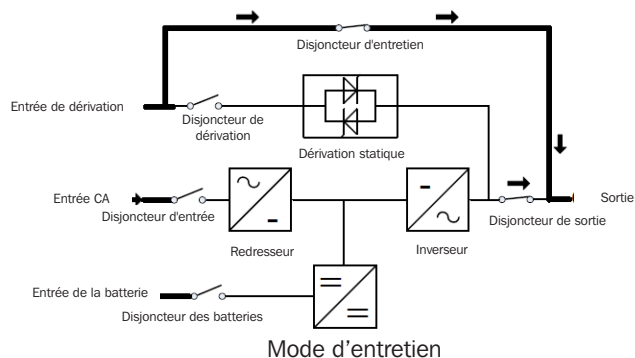


Figure 4-5 : Mode d'entretien

## 4.2 Mise sous/hors tension de l'onduleur

### 4.2.1 Démarrage de base

Après avoir terminé la procédure suivante, l'onduleur supportera la charge en mode en ligne ou en mode ECO s'ils sont activés.

1. Confirmer que la batterie est connectée. Mettre tout disjoncteur de l'armoire de batteries externe sous tension (ON) (le cas échéant).
2. Mettre le commutateur D'ALIMENTATION sous tension à l'arrière de l'onduleur.
3. Mettre le disjoncteur de dérivation sous tension.
4. Mettre sous tension le disjoncteur d'entrée principal.
5. Mettre sous tension le disjoncteur de sortie.
6. L'inverseur effectuera un démarrage lent jusqu'à ce que la tension nominale soit atteinte. L'onduleur passera en mode en ligne ou en mode ECO (s'il est activé) dans un délai de une ou deux minutes.
7. Confirmer l'absence de toute alarme active.

### 4.2.2 Mise hors tension de l'onduleur

Après avoir terminé la procédure suivante, l'onduleur sera mis hors tension et la charge ne sera pas prise en charge.

1. Pendant que l'onduleur se trouve en mode en ligne ou en mode ECO, désactiver l'inverseur en utilisant le menu à d'affichage (Home > Common > INV ON/OFF > INV OFF). L'onduleur passera en mode de dérivation. Confirmer que le voyant à DEL de dérivation est allumé et que l'écran ACL affiche Bypass Mode (mode de dérivation) avant de continuer.
2. Mettre le disjoncteur de sortie hors tension. Cela entraînera la perte de la charge.
3. Mettre le disjoncteur d'entrée principal hors tension.
4. Mettre le disjoncteur de dérivation hors tension. L'onduleur se mettra hors tension peu de temps après.
5. Mettre le commutateur D'ALIMENTATION hors tension à l'arrière de l'onduleur.
6. Mettre le disjoncteur des batteries hors tension depuis l'armoire de batteries externes (le cas échéant).

## 4. Fonctionnement

### 4.2.3 Démarrage à froid

Une fois la procédure suivante effectuée, l'onduleur prendra en charge la charge depuis l'alimentation par batterie.

1. Confirmer que la batterie est connectée. Mettre tout disjoncteur de l'armoire de batteries externe sous tension (ON) (le cas échéant).
2. Mettre le commutateur D'ALIMENTATION sous tension à l'arrière de l'onduleur.
3. Mettre sous tension le disjoncteur de sortie.
4. Appuyer sur le bouton Cold Start (démarrage à froid) à l'arrière de l'onduleur. L'inverseur effectuera un démarrage lent jusqu'à ce que la tension nominale soit atteinte. Une fois terminé, l'onduleur passera en mode batterie et prendra en charge la charge.
5. Une fois l'alimentation du secteur restaurée et stabilisée, mettre le disjoncteur de dérivation et le disjoncteur d'entrée principal sous tension. L'onduleur passera en mode en ligne ou en mode ECO (s'il est activé).
6. Confirmer l'absence de toute alarme active.

### 4.2.4 Passer en mode de dérivation pour l'entretien

Une fois la procédure suivante terminée, l'onduleur se mettra hors tension. Toutefois, le bloc de jonction de sortie continuera d'être alimenté.

1. Retirer le couvercle du disjoncteur de dérivation pour l'entretien à l'arrière de l'onduleur en enlevant les deux (2) vis de montage. L'onduleur passera automatiquement en mode de dérivation. Confirmer que le voyant à DEL de dérivation est allumé et que l'écran ACL affiche Maintenance Mode (mode d'entretien) avant de continuer.
2. Mettre le disjoncteur de dérivation pour l'entretien sous tension.
3. Mettre le disjoncteur de sortie hors tension.
4. Mettre le disjoncteur d'entrée principal hors tension.
5. Mettre le disjoncteur de dérivation hors tension. L'onduleur se mettra hors tension peu de temps après.
6. Mettre le commutateur D'ALIMENTATION hors tension à l'arrière de l'onduleur.
7. Mettre le disjoncteur des batteries hors tension depuis l'armoire de batteries externes (le cas échéant). La charge est maintenant alimentée par le biais de la dérivation pour l'entretien.

### 4.2.5 Passer du mode de dérivation pour l'entretien au mode en ligne ou ECO

L'onduleur retournera en mode en ligne ou en mode ECO (s'il est activé) une fois la procédure suivante terminée.

1. Confirmer que la batterie est connectée. Mettre tout disjoncteur de l'armoire de batteries externe sous tension (ON) (le cas échéant).
2. Mettre le commutateur D'ALIMENTATION sous tension à l'arrière de l'onduleur.
3. Mettre le disjoncteur de dérivation sous tension.
4. Mettre sous tension le disjoncteur d'entrée principal.
5. Mettre sous tension le disjoncteur de sortie.
6. L'onduleur passera en mode de dérivation peu de temps après l'initialisation. Confirmer que l'appareil est passé en mode de dérivation et que le voyant à DEL de dérivation est allumé avant de continuer.
7. Mettre le disjoncteur de dérivation pour l'entretien hors tension.
8. Rattacher la plaque du couvercle du disjoncteur de dérivation pour l'entretien à l'onduleur en utilisant les vis fournies.
9. L'onduleur passera en mode en ligne ou en mode ECO dans un délai de une ou deux minutes. L'inverseur effectuera un démarrage lent jusqu'à ce que la tension nominale soit atteinte. Une fois terminé, l'onduleur passera en mode en ligne ou en mode ECO (s'il est activé).
10. Confirmer l'absence de toute alarme active.

## 4. Fonctionnement

### 4.3 Alarmes, voyants à DEL et affichage ACL

#### 4.3.1 Vue d'ensemble des alarmes audibles et des voyants à DEL

		Alarmes sonores		Voyants à DEL de l'affichage			
		État de l'alarme	Mutable On/Off (marche/arrêt)	Alarme	Dérivation	Batterie	Inverseur
Modes de l'onduleur	Initialisation de l'onduleur	Émet un bip, une seule fois	Non	Clignote/ 0,5 seconde	Clignote/ 0,5 seconde	Clignote/ 0,5 seconde	Clignote/ 0,5 seconde
	Mode en ligne de l'onduleur (normal)	Aucun bip	Aucun bip	OFF (arrêt)	OFF (arrêt)	OFF (arrêt)	ON (marche)
	Mode batterie de l'onduleur	Émet un bip/2 secondes	Oui	OFF (arrêt)	OFF (arrêt)	ON (marche)	OFF (arrêt)
	Mode test de la batterie de l'onduleur	Aucun bip	Aucun bip	OFF (arrêt)	OFF (arrêt)	ON (marche)	OFF (arrêt)
	Mode ECO de l'onduleur	Aucun bip	Aucun bip	OFF (arrêt)	ON (marche)	OFF (arrêt)	OFF (arrêt)
	Mode Attente de l'onduleur	Aucun bip	Aucun bip	OFF (arrêt)	OFF (arrêt)	OFF (arrêt)	OFF (arrêt)
	Mode de dérivation statique de l'onduleur	Aucun bip	Aucun bip	OFF (arrêt)	ON (marche)	OFF (arrêt)	OFF (arrêt)
	Mode de dérivation d'entretien de l'onduleur	Aucun bip	Aucun bip	OFF (arrêt)	ON (marche)	OFF (arrêt)	OFF (arrêt)
	Mode convertisseur de fréquence de l'onduleur	Aucun bip	Aucun bip	OFF (arrêt)	OFF (arrêt)	OFF (arrêt)	ON (marche)
	Surcharge (mode de dérivation ou mode batterie)	Émet un bip/1 seconde	Oui	OFF (arrêt)	ON (marche)	ON (marche)	OFF (arrêt)

#### 4.3.2 Introduction au panneau de contrôle ACL

L'affichage ACL intégré est doté d'un grand nombre de fonctions et d'utilisation intuitive. Ce qui suit couvre les fonctions principales accessibles par le biais de l'affichage.

**Remarque :** La plupart des réglages peuvent être changés lorsque l'onduleur se trouve en mode inverseur.



Figure 4.6 : Vue d'ensemble du panneau de commande de l'onduleur.

- 1** Voyant à DEL de l'alarme
- 2** Voyant à DEL de dérivation
- 3** Voyant à DEL de la batterie

- 4** Voyant à DEL de l'inverseur
- 5** Écran ACL tactile, 127 mm (5 po)
- 6** Bouton EPO (arrêt d'urgence) (le bouton doit être enfoncé pendant au moins 3 secondes pour activer l'arrêt d'urgence (EPO))

## 4. Fonctionnement

### 4.3.3 Page principale : affichage par défaut

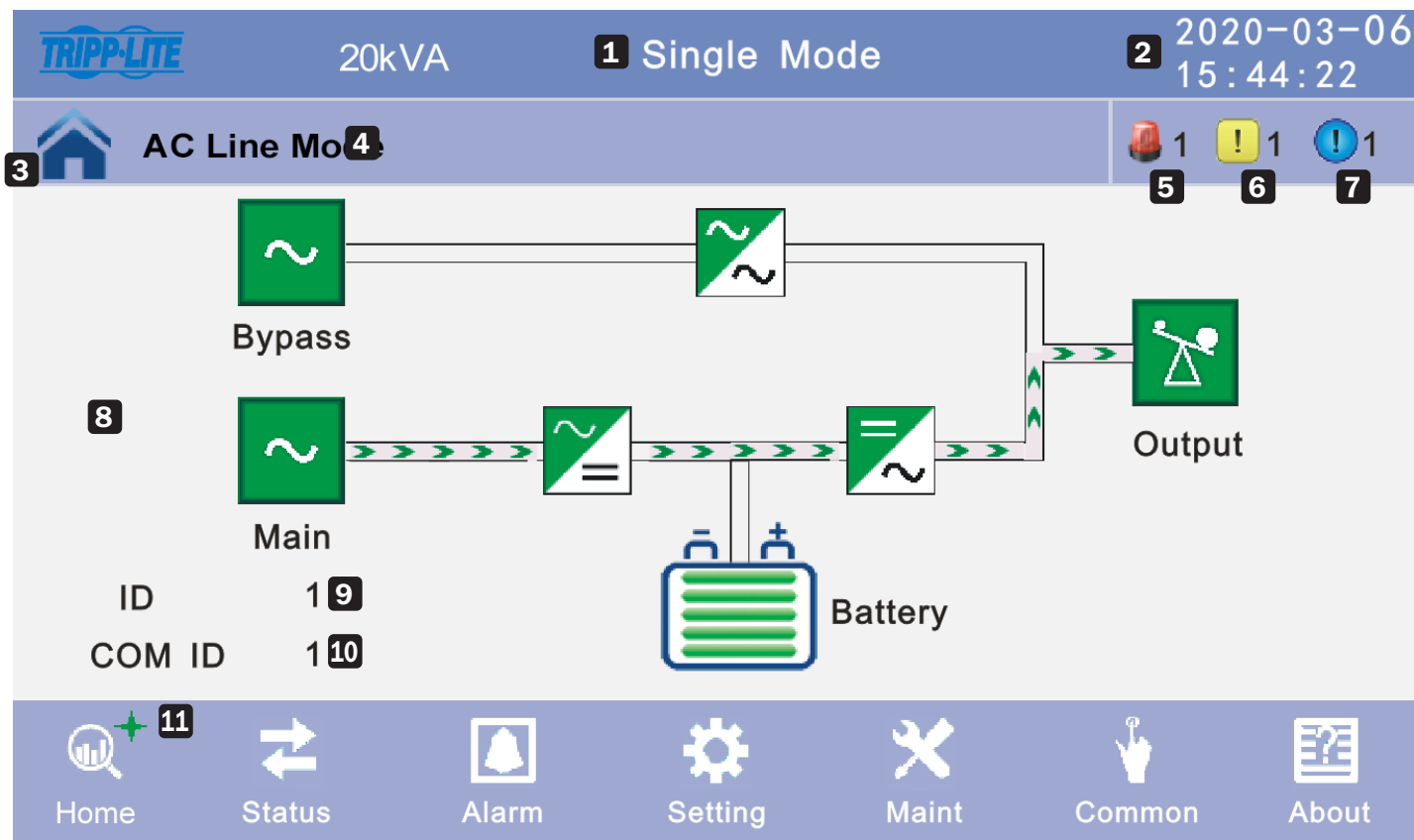


Figure 4.7 : Page principale de l'affichage ACL

- 1 Mode simple = onduleur simple (non connecté en parallèle)
- 2 Date/heure
- 3 Page d'accueil = État du système
- 4 État opérationnel
- 5 Défaillance
- 6 Alarme
- 7 Événement
- 8 Page des données
- 9 Identifiant de l'équipement
- 10 Identifiant de la communication
- 11 Écran actuel sélectionné (indiqué par un signe plus vert ✦)

## 4. Fonctionnement

### 4.3.4 Écran d'état

Cliquer sur l'icône **Status** (état) pour accéder à la fenêtre d'affichage de l'état, afficher la tension et le courant principal, de dérivation, de sortie et de la batterie (ou l'entrée par le biais du bloc de données en temps réel), afficher l'état du commutateur et afficher l'état du contact sec. Cliquer sur l'icône pour accéder à la fenêtre de données correspondante.

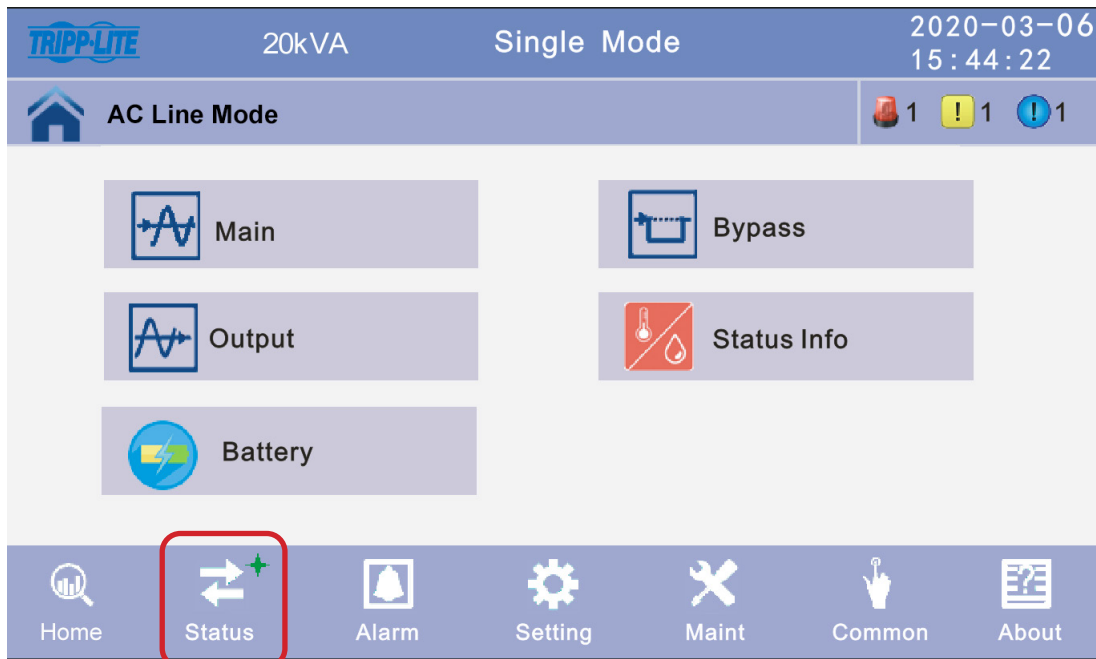


Figure 4-8 : Écran d'état

1. Cliquer sur l'icône **Main** (principal) pour accéder à la fenêtre principale d'affichage des données. Cliquer sur la flèche dans le coin inférieur droit de l'écran pour revenir à la fenêtre précédente. Cliquer sur l'icône de la page d'accueil pour passer directement à la page principale.

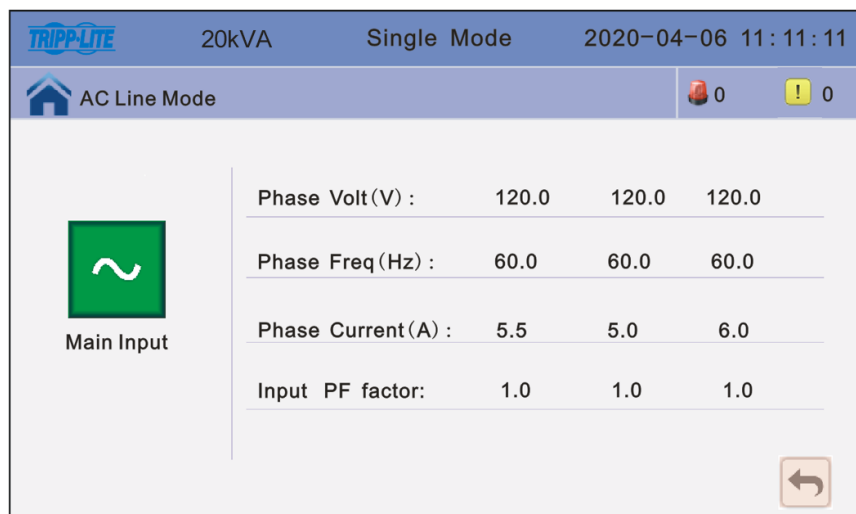


Figure 4-9 : Fenêtre principale d'affichage des données



## 4. Fonctionnement

2. Cliquer sur l'icône **Bypass** (dérivation) pour accéder à la fenêtre d'affichage des données de dérivation. Cliquer sur l'icône **Back** (retour) pour revenir à la fenêtre précédente. Cliquer sur l'icône **Home Page** (page d'accueil) pour passer directement à la page principale.

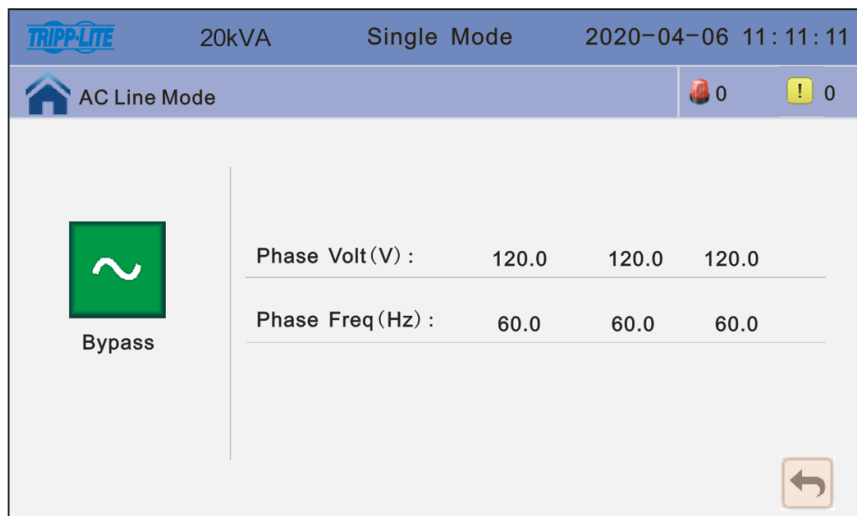


Figure 4-10 : Fenêtre d'affichage des données de dérivation

3. Cliquer sur l'icône **Output** (sortie) pour accéder à la fenêtre d'affichage des données de la sortie. Cliquer sur l'icône **Back** (retour) pour revenir à la fenêtre précédente. Cliquer sur l'icône **Home Page** (page d'accueil) pour passer directement à la page principale.

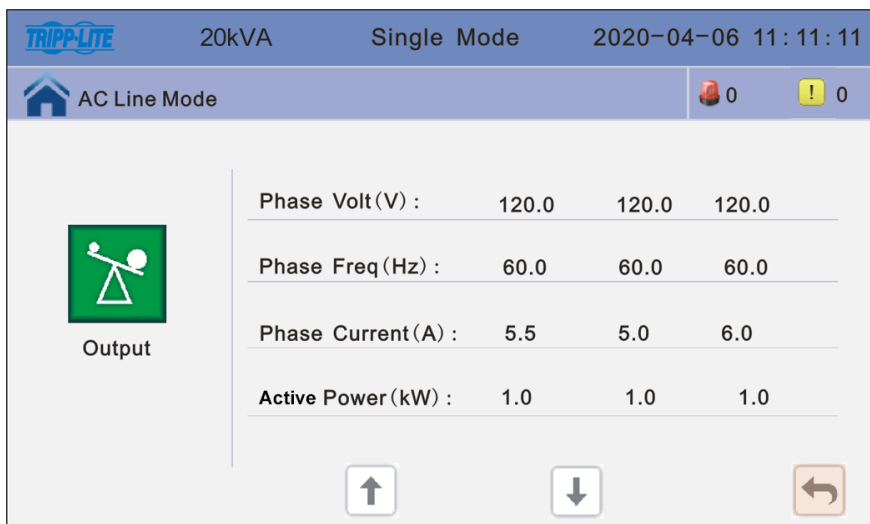


Figure 4-11 : Fenêtre d'affichage des données de la sortie

**Remarque :** Les flèches pointant vers le haut/bas au bas de l'écran peuvent être utilisées pour parcourir l'écran pour accéder à d'autres variables telles que : la puissance apparente (kVA), le taux de charge (%) et le rapport de pointe de la charge.

## 4. Fonctionnement

4. Cliquer sur l'icône **Status Info** (informations sur l'état) pour accéder à la fenêtre d'affichage de l'état. Cliquer sur l'icône **Back** (retour) pour revenir à la fenêtre précédente. Cliquer sur l'icône **Home Page** (page d'accueil) pour passer directement à la page principale. Le paramètre par défaut pour la température est degrés Celsius.

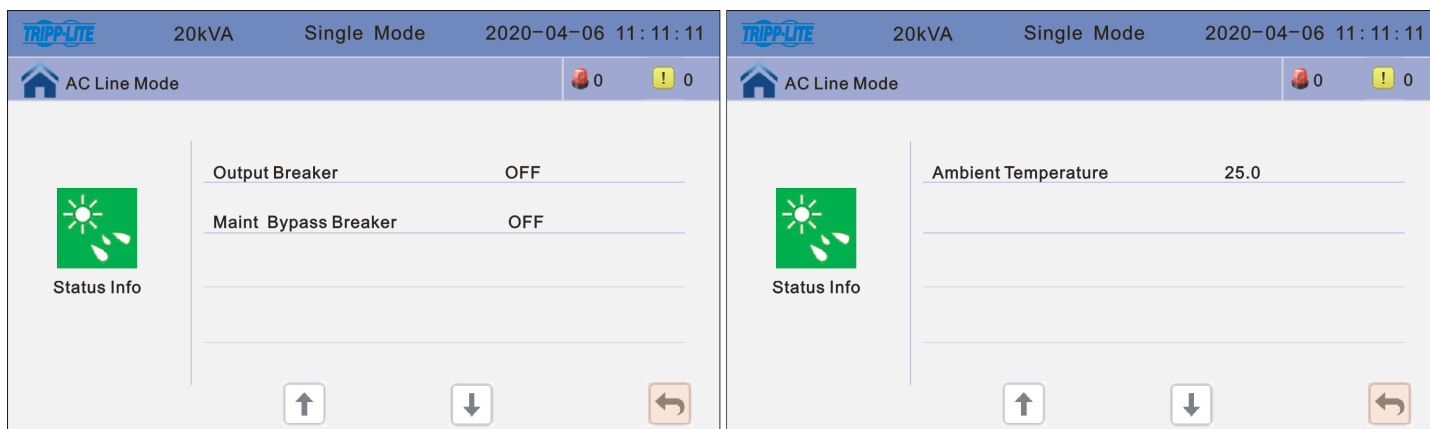


Figure 4-12 : Fenêtre d'affichage de l'état

5. Cliquer sur l'icône **Battery** (batterie) pour accéder à la fenêtre d'affichage des données des batteries. Cliquer sur l'icône **Back** (retour) pour revenir à la fenêtre précédente. Cliquer sur l'icône **Home Page** (page d'accueil) pour passer directement à la page principale. La température des batteries affichera 0.0 à moins qu'une sonde de température des batteries ne soit utilisée sur les batteries connectées au port RJ45 de l'onduleur.

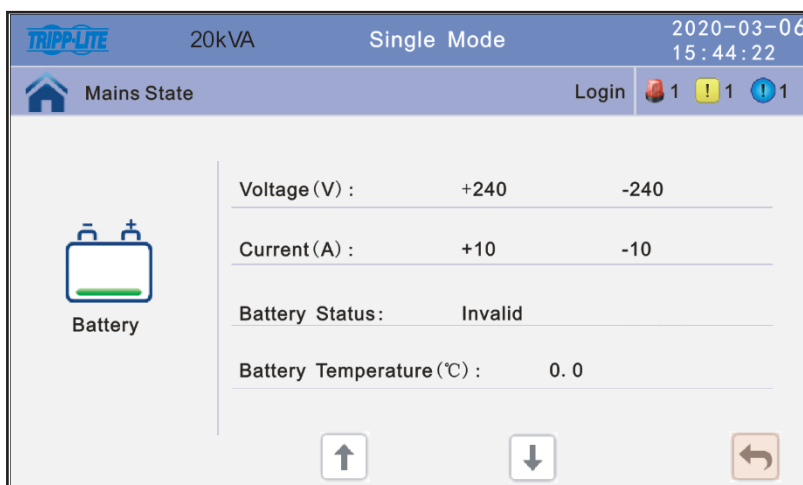


Figure 4-13 : Fenêtre d'affichage des données des batteries

**Remarque :** Les flèches pointant vers le haut/bas au bas de l'écran peuvent être utilisées pour parcourir l'écran pour accéder à d'autres variables telles que : le taux de capacité des batteries (%) et le temps de sauvegarde (min.).

## 4. Fonctionnement

### 4.3.5 Interface de l'alarme

Cliquer sur l'icône **Alarm** (alarme) pour accéder à l'interface de l'alarme, afficher les alarmes de l'onduleur et l'historique des alarmes, et activer ou désactiver le vibreur.

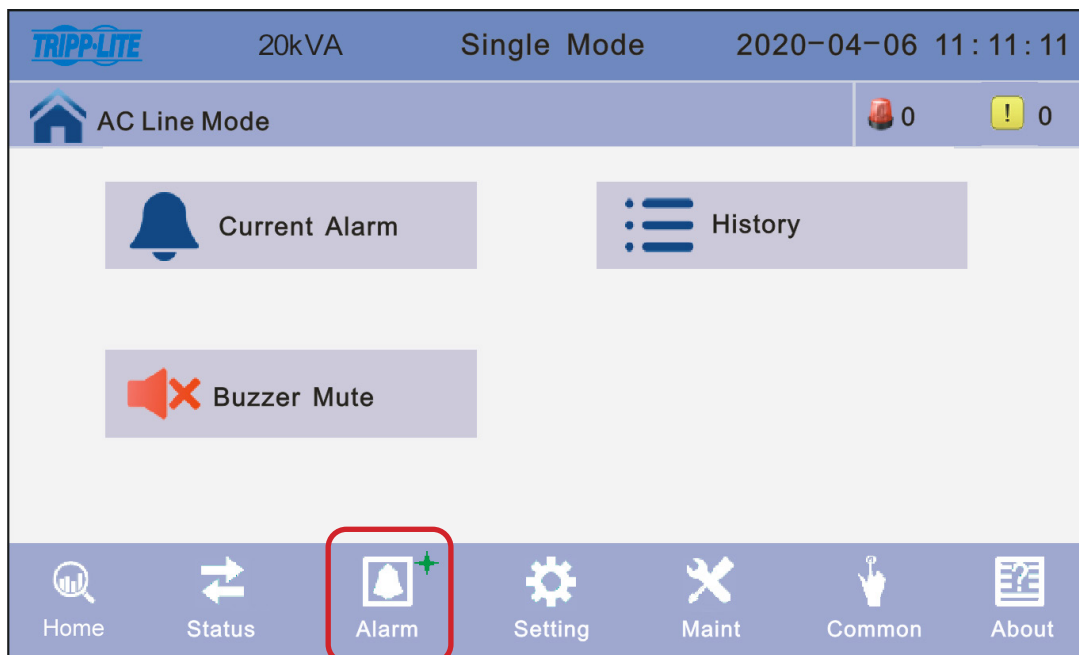


Figure 4-14 : Interface de l'alarme

1. Cliquer sur l'icône **Current Alarm** (alarme actuelle) pour accéder à la fenêtre d'affichage de l'alarme actuelle. Cliquer sur l'icône **Back** (retour) pour revenir à la fenêtre précédente. Cliquer sur l'icône **Home Page** (page d'accueil) pour passer directement à la page principale.

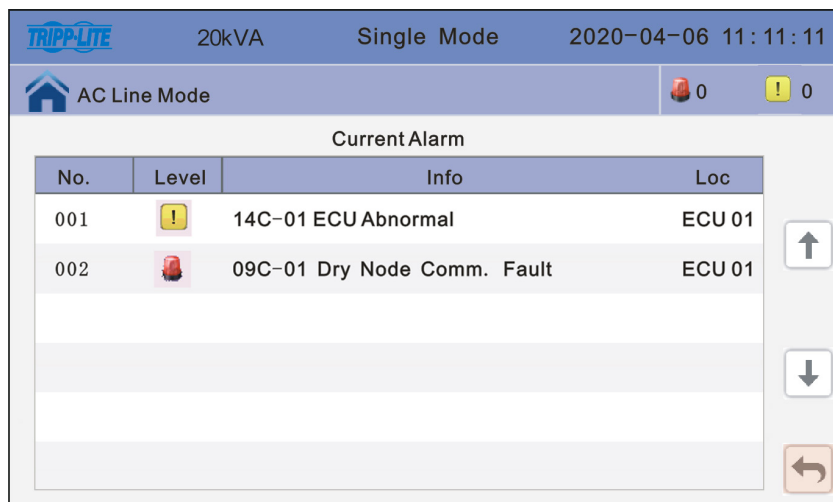


Figure 4-15 : Fenêtre d'affichage de l'alarme actuelle

## 4. Fonctionnement

2. Cliquer sur l'icône **Historique** pour accéder à l'historique des événements de l'onduleur. L'onduleur enregistre jusqu'à 4 000 événements. Faire défiler vers le haut et vers le bas pour voir toutes les alarmes récentes. Cliquer sur l'icône **Back** (retour) pour revenir à la fenêtre précédente. Cliquer sur l'icône **Home Page** (page d'accueil) pour passer directement à la page principale.

No.	Level	Info	Loc	Time
0001	!	Inverted Worked	System	2018-06-15 18:12:00
0002	!	On Line	System	2018-06-15 18:12:00
0003	!	Rectifier Activated	System	2018-06-15 18:12:00

Figure 4-16 : Fenêtre d'affichage de l'historique

3. Cliquer sur l'icône **Buzzer Mute** (mise en sourdine du vibreur) pour mettre le vibreur en sourdine. L'icône rouge passera au vert. Pour activer le vibreur, cliquer sur l'icône **Buzzer Open** (activer le vibreur). L'icône vert passera au rouge.

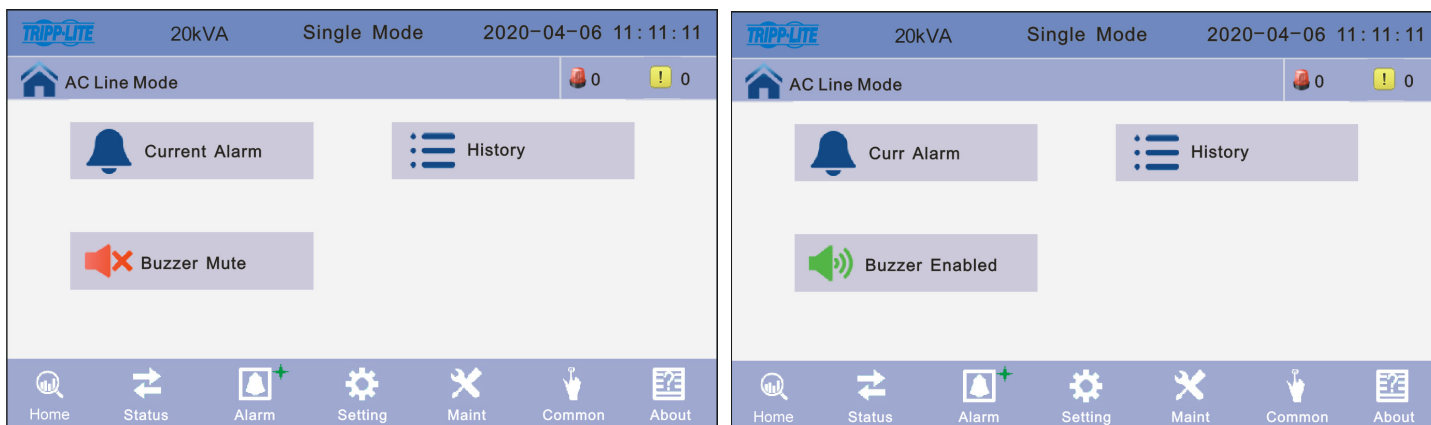


Figure 4-17 : Vibreur en sourdine/vibreur activé

## 4. Fonctionnement

### 4.3.6 Écran des réglages

Cliquer sur l'icône **Setting** (réglage) pour accéder à la fenêtre des réglages. Les réglages sont divisés en deux niveaux : Basic Setup (Configuration de base) et Advanced Setup (Configuration avancée).

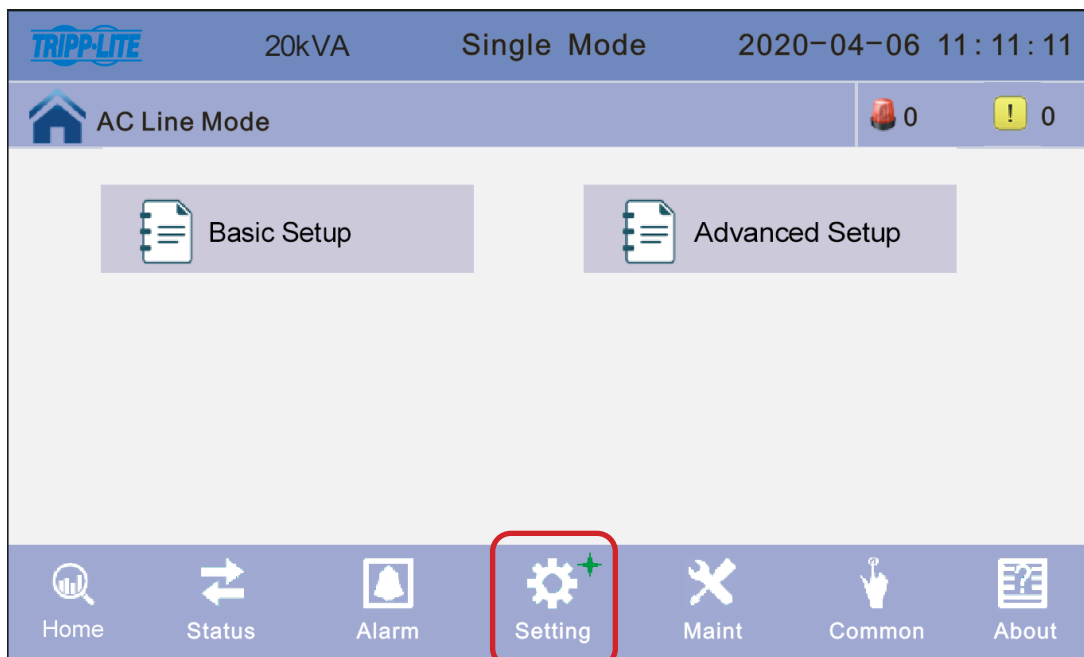


Figure 4-18 : Écran des réglages

#### 4.3.6.1 Écran des réglages de base

Cliquer sur l'icône **Basic Setting** (réglages de base) pour accéder à l'interface des réglages de base pour configurer la langue, la luminosité de l'affichage et l'heure/la date.

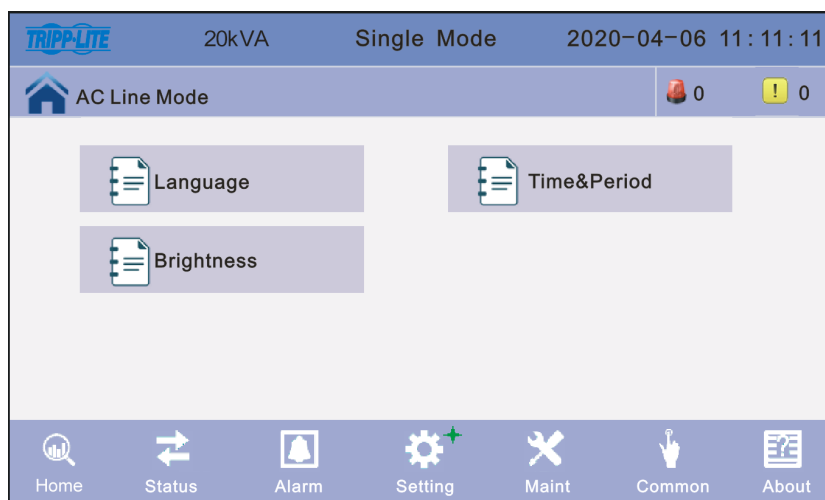


Figure 4-19 : Interface des réglages de base

## 4. Fonctionnement

1. Cliquer sur l'icône **Language** (langue) pour accéder à l'interface des réglages de la langue. Sélectionnez la langue souhaitée (anglais, espagnol ou français), puis cliquer sur l'icône **Save Config** (sauvegarder la configuration). Cliquer sur l'icône **Back** (retour) pour revenir à la fenêtre précédente. Cliquer sur l'icône **Home Page** (page d'accueil) pour passer directement à la page principale.

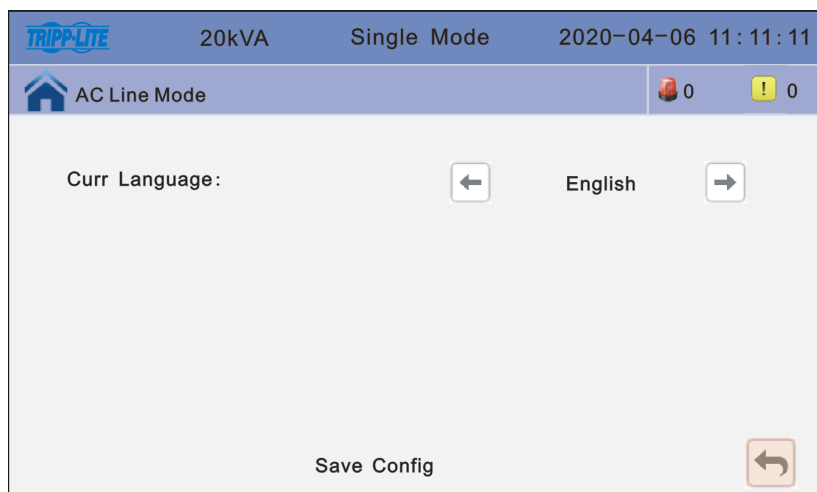


Figure 4-20 : Interface des réglages de la langue

2. Cliquer sur l'icône **Time & Period** (heure et période) pour accéder à l'interface des réglages de l'heure et de la date. Cliquer sur **Save Config** (sauvegarder la configuration), puis cliquer sur l'icône **Back** (retour) pour revenir à la fenêtre précédente, ou cliquer sur l'icône **Home Page** (page d'accueil) pour passer directement à la page principale. Tous les champs dans **Date** et **Time** (heure) sont obligatoires pour fermer les fenêtres de configuration.

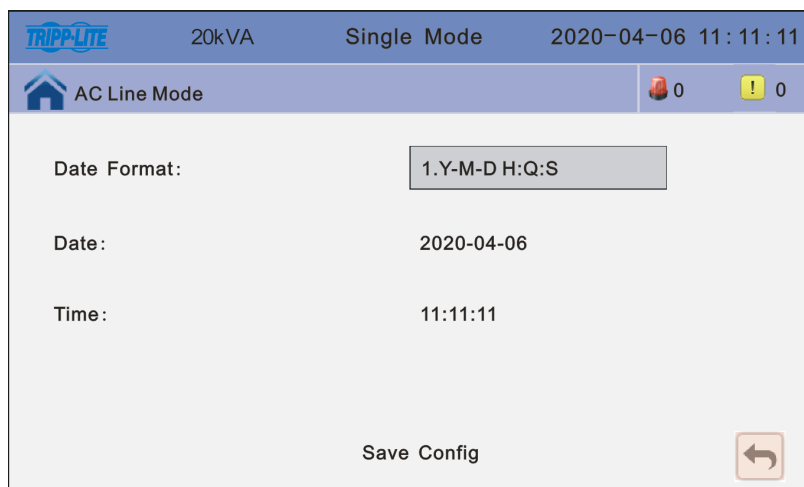


Figure 4-21 : Interface des réglages de l'heure et de la date

## 4. Fonctionnement

3. Cliquer sur l'icône **Brightness** (luminosité) pour configurer la luminosité et la durée d'éclairage du rétroéclairage de l'écran tel que souhaité. Cliquer sur **Save Config** (sauvegarder la configuration), puis cliquer sur l'icône **Back** (retour) pour revenir à la fenêtre précédente, ou cliquer sur l'icône **Home Page** (page d'accueil) pour passer directement à la page principale.

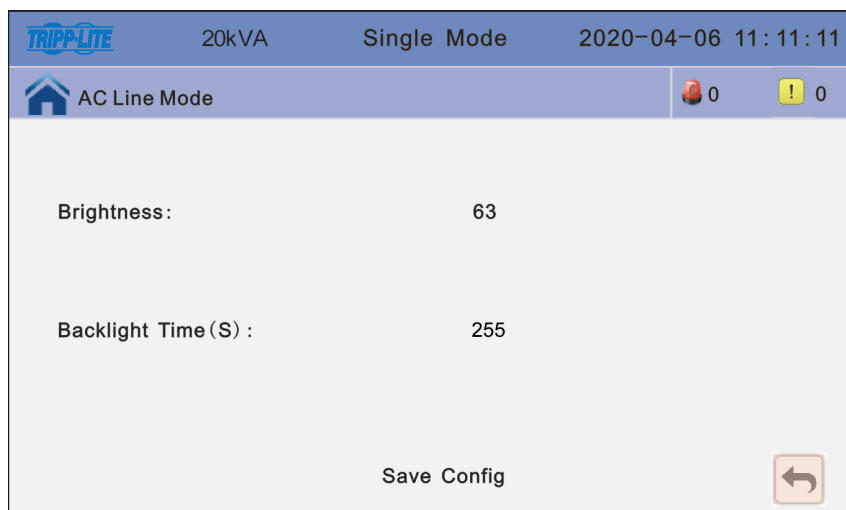


Figure 4-22 : Interface de la luminosité

### 4.3.6.2 Écran des réglages avancés

Cliquer sur l'icône **Advanced Setting** (réglages avancés) sur la page principale. Le mot de passe de l'utilisateur est « 191210 ».

**Remarque :** Les opérations avancées sont prévues pour être réalisées uniquement par des techniciens de Tripp Lite certifiés.

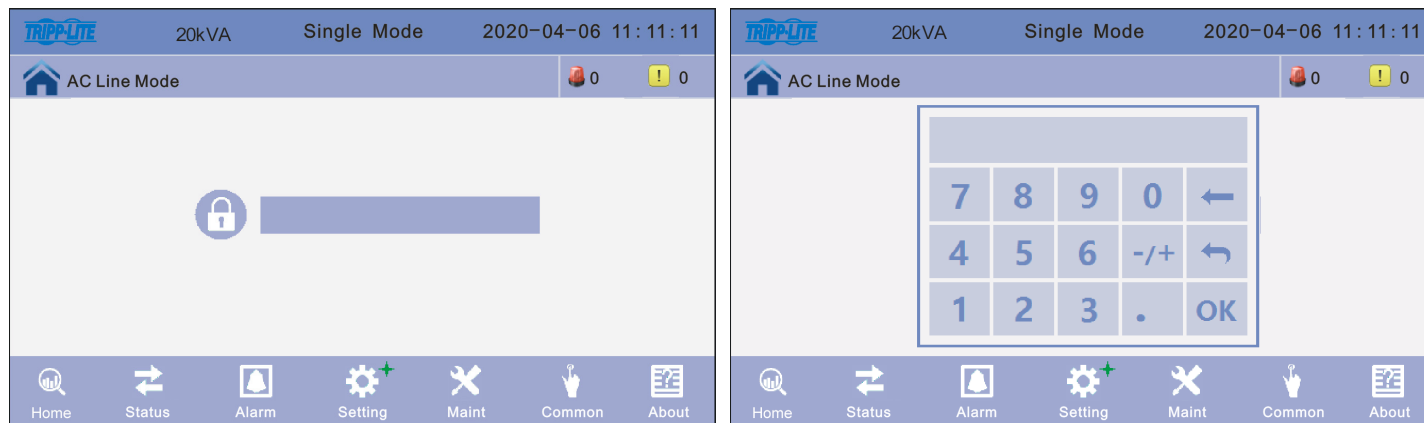


Figure 4-23 : Saisir le mot de passe pour les réglages avancés

## 4. Fonctionnement

1. Cliquer sur l'icône **Advanced Setup** (configuration avancée). Sélectionner la configuration à changer/sauvegarder. Cliquer sur l'icône **Back** (retour) pour revenir à la fenêtre précédente ou cliquer sur l'icône **Home Page** (page d'accueil) pour passer directement à la page principale.

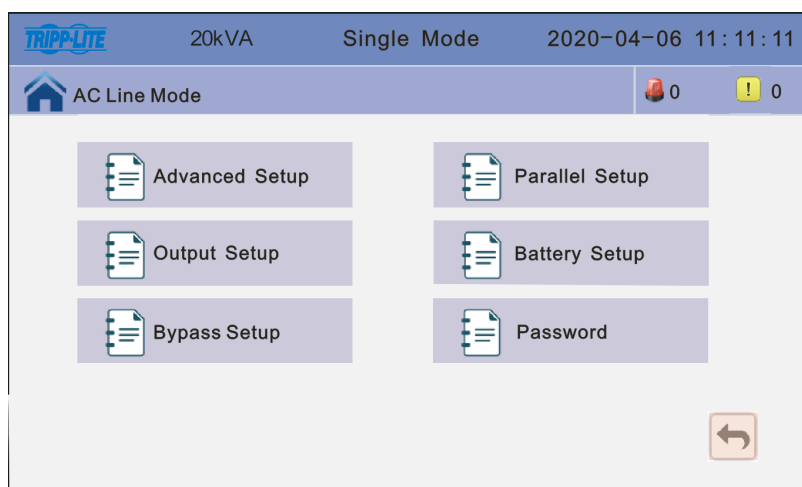


Figure 4-24 : Interface de la configuration avancée

### Configurations de la configuration avancée :

**Working Mode (mode de fonctionnement)** - Sélectionner le mode de fonctionnement de l'onduleur, mode de fonctionnement : mode simple, mode en parallèle, mode ECO.

**Single Mode (mode simple)** : onduleur unique (non installé en parallèle)

**Parallel Mode (mode en parallèle)** : lorsque le mode en parallèle est utilisé pour des raisons de capacité, plusieurs onduleurs alimentent la charge. Lorsque le mode en parallèle est utilisé pour des raisons de redondance, plusieurs onduleurs sont connectés pour fournir de l'alimentation redondante.

**ECO Mode (mode ECO)** : mode écologique et mode d'économie d'énergie. L'onduleur passera par défaut en mode ECO après la mise sous tension.

**Auto Turn-on (mise sous tension automatique)** : sélectionner la logique de démarrage de l'onduleur, Enable (activer) : l'onduleur démarre la sortie de l'inverseur automatiquement, Disable (désactiver) : aucune sortie

**Remarque** : si l'utilisateur souhaite que l'onduleur redémarre automatiquement après que les batteries aient atteint un seuil de sectionnement bas et la mise hors tension de l'onduleur, Auto Turn-on (mise sous tension automatique) DOIT être configuré en position Enable (activé).

**Mode de fonctionnement** - sélectionner le mode de fonctionnement : In-FreqConvM (En mode conversion de fréquence), Not In-FreqConvM (Pas en mode conversion de fréquence)

**Not In-FreqConvM (Pas en mode conversion de fréquence)** : en mode de fonctionnement normal

**In-FreqConvM (En mode conversion de fréquence)** : la fréquence de sortie est déterminée par la fréquence et la tension définies par l'utilisateur. Ce mode n'est pas affecté par l'entrée et ne déclenchera pas d'alarme.

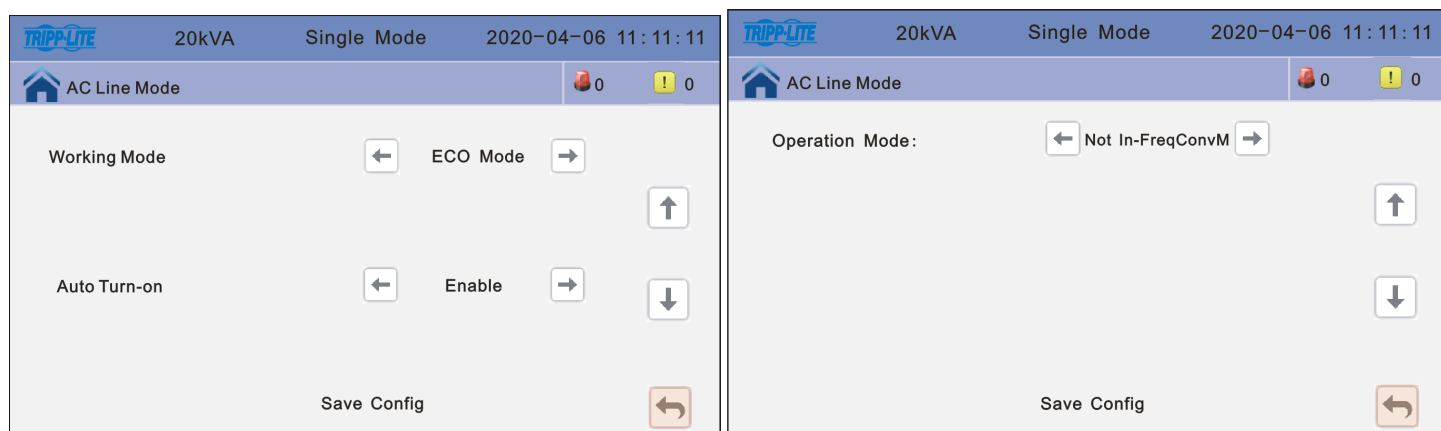


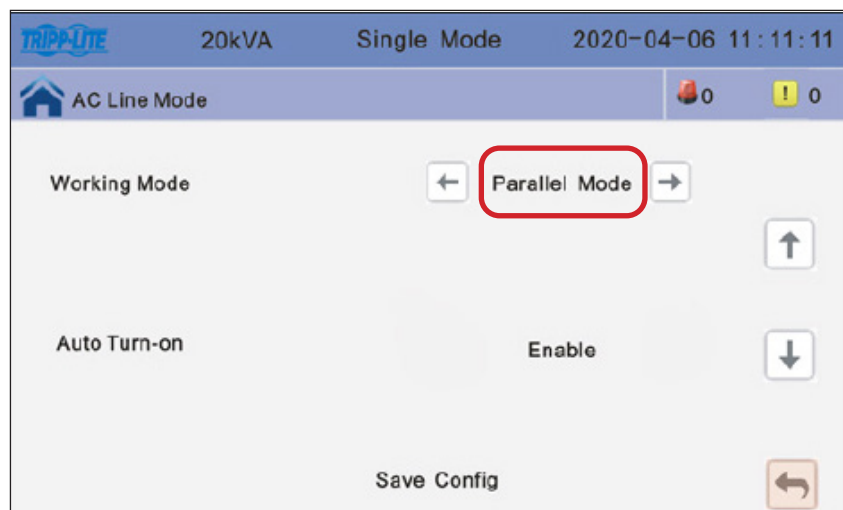
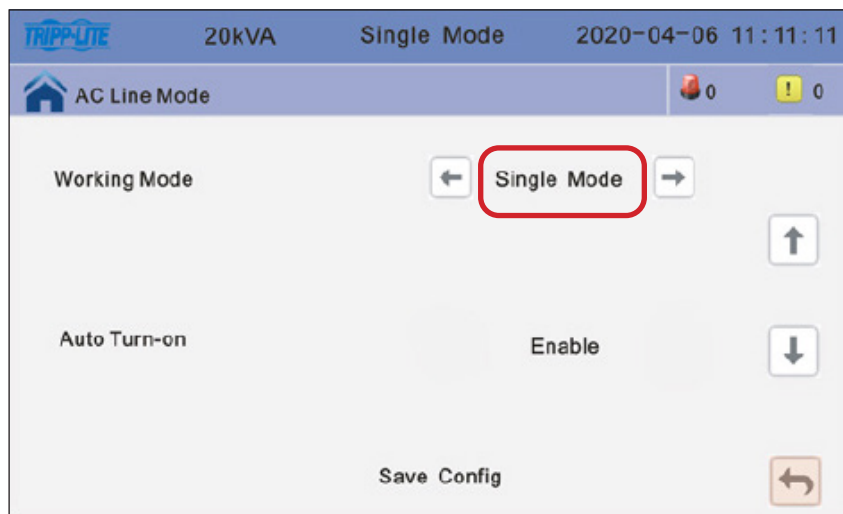
Figure 4-25 : Configurations de la configuration avancée



## 4. Fonctionnement

2. Cliquer sur l'icône **Parallel Setup** (configuration en parallèle). Sélectionner la configuration à changer/sauvegarder. Cliquer sur l'icône **Back** (retour) pour revenir à la fenêtre précédente ou cliquer sur l'icône **Home Page** (page d'accueil) pour passer directement à la page principale.

Pour commencer la configuration en parallèle, cliquer sur **Parallel Setup** (configuration en parallèle), puis changer le **Working Mode** (mode de fonctionnement) de **Single Mode** (mode simple) à **Parallel Mode** (mode en parallèle).

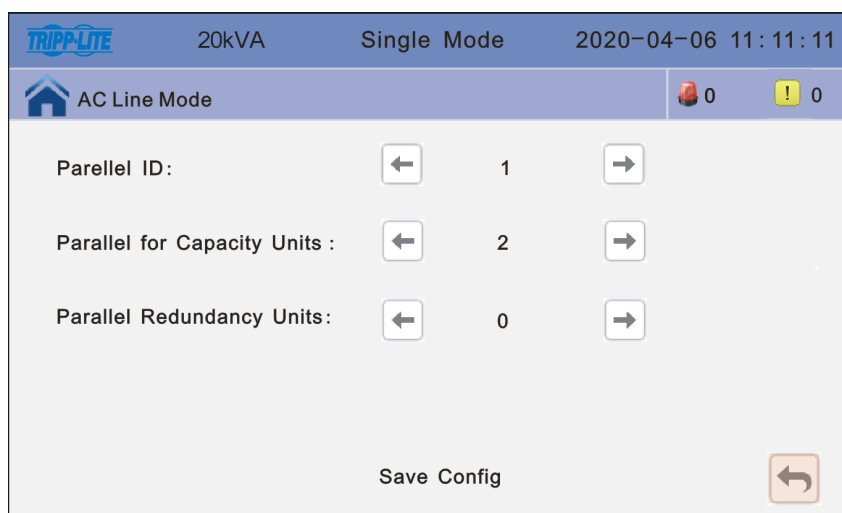


## 4. Fonctionnement

**Parallel ID** : identifiant du fonctionnement en parallèle. L'identifiant doit être modifié après avoir réglé le mode de fonctionnement en mode en parallèle. La valeur peut être 1 à 4. La valeur par défaut est 1.

**Onduleurs en parallèle pour des raisons de capacité** : numéro de l'armoire en parallèle. Le nombre total d'armoires en parallèle doit être modifié après avoir réglé le mode de fonctionnement en mode en parallèle. La valeur peut être 2 à 4. La valeur par défaut est 2.

**Onduleurs en parallèle pour des raisons de redondance** : numéro de l'armoire de redondance en parallèle. Le numéro de l'armoire de redondance peut être modifié après avoir réglé le mode de fonctionnement en mode en parallèle. La valeur peut être 0 à 3. La valeur par défaut est 0.



The screenshot shows a web interface for a Tripp-Lite 20kVA UPS. The top navigation bar includes the logo, '20kVA', 'Single Mode', and the date/time '2020-04-06 11:11:11'. Below this is a header for 'AC Line Mode' with a home icon and two status indicators (0). The main content area contains three configuration rows, each with a label, a left arrow, a numerical value, and a right arrow:

Parameter	Value
Parallel ID :	1
Parallel for Capacity Units :	2
Parallel Redundancy Units :	0

At the bottom, there is a 'Save Config' button and a back arrow icon.

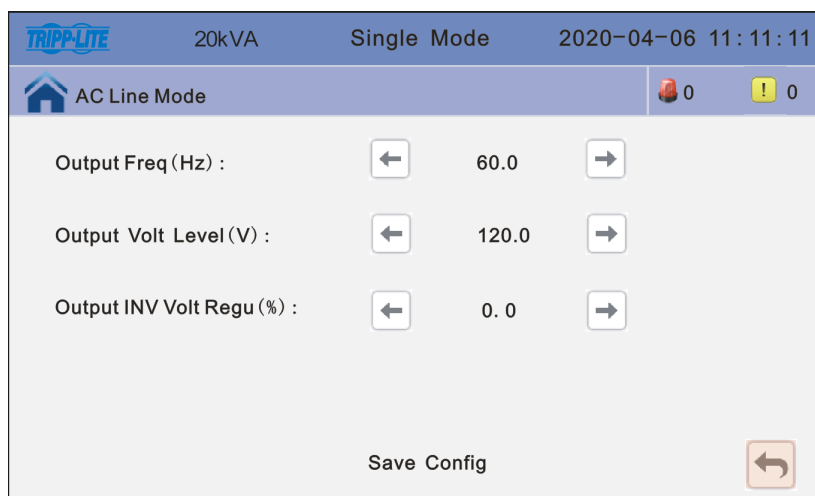
Figure 4-26 : Configurations de la configuration en parallèle

3. Cliquer sur l'icône **Output Setup** (configuration de la sortie), puis sélectionner la configuration à modifier/sauvegarder. Cliquer sur l'icône **Back** (retour) pour revenir à la fenêtre précédente ou cliquer sur l'icône **Home Page** (page d'accueil) pour passer directement à la page principale.

**Output Freq** : fréquence de la sortie. La valeur peut être 50 Hz ou 60 Hz.

**Output Volt Level** : niveau de tension de la sortie. La valeur peut être 120 ou 127.

**Output INV Volt Regulation** : tension de l'inverseur régulée. La valeur peut se situer entre -5 % à +5 % par incréments de 0,5 %. La valeur par défaut est 0 %.



The screenshot shows the same web interface as Figure 4-26, but for the 'Output Setup' configuration. The top navigation bar is identical. The main content area contains three configuration rows, each with a label, a left arrow, a numerical value, and a right arrow:

Parameter	Value
Output Freq (Hz) :	60.0
Output Volt Level (V) :	120.0
Output INV Volt Regu (%) :	0.0

At the bottom, there is a 'Save Config' button and a back arrow icon.

Figure 4-27 : Configuration de la sortie

## 4. Fonctionnement

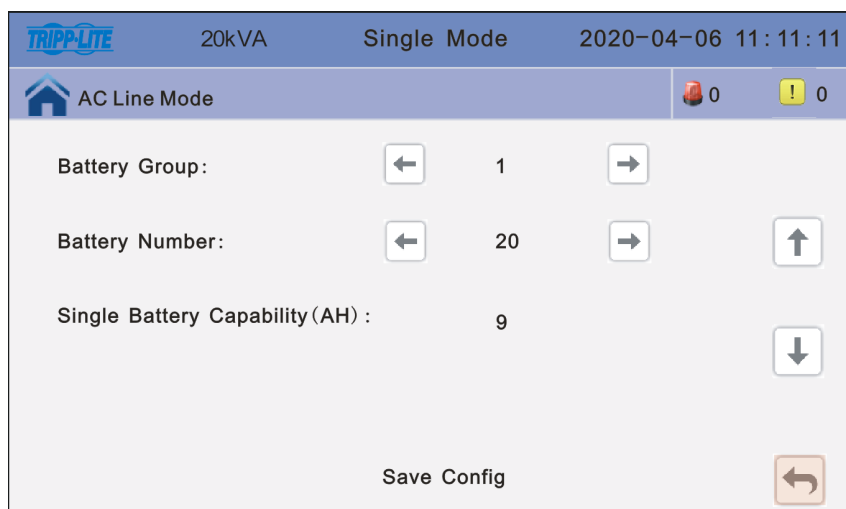
4. Cliquer sur l'icône **Output Setup** (configuration des batteries), puis sélectionner la configuration à modifier/sauvegarder. Cliquer sur l'icône **Back** (retour) pour revenir à la fenêtre précédente ou cliquer sur l'icône **Home Page** (page d'accueil) pour passer directement à la page principale.

**Remarque :** La configuration de l'onduleur pour le modèle d'armoire de batteries dépend du modèle d'onduleur S3M et du modèle d'armoire de batteries connectés ensemble. Consulter le manuel de l'armoire de batteries de la série S3M pour des instructions spécifiques sur la configuration de l'onduleur.

**Battery Group (groupe de batteries) :** le groupe de batteries doit être configuré à quantité 1 pour chaque ensemble de 20 batteries qui se trouve dans l'onduleur et/ou l'armoire de batteries connecté à l'onduleur. Par exemple, le modèle d'onduleur S3M20K3B avec 60 batteries internes serait configuré à Battery Group 3 (groupe de batteries 3). Toutefois, pour connecter une armoire BP240V09 avec 80 batteries internes au S3M20K3B, l'onduleur S3M20K3B doit être configuré à Battery Group 7 (groupe de batteries 7). La valeur peut être 1 à 8. La valeur par défaut est 1.

**Battery number (nombre de batteries) :** la valeur par défaut est 20. Le nombre de batteries doit rester à 20 pour tous les modèles d'onduleur S3M10-100K, qu'ils soient utilisés avec ou sans armoires de batteries externes conçues pour la gamme d'onduleurs de la série S3M.

**Single Battery (Ah) Capability:** permet de modifier la valeur de la capacité Ah actuelle pour une batterie. La valeur peut être 7 à 2 000. Si le modèle d'onduleur de 10 à 20 kVA a des batteries internes, cette valeur doit être 9, car l'onduleur 10 à 20 kVA peut seulement accueillir 9 batteries internes de 9 Ah. Toutefois, si les modèles d'onduleur de 10 à 20 kVA comportent le suffixe « -NIB » (aucune batterie interne), le nombre peut être 9 (9 Ah) à 100 (100Ah), lorsque des modèles d'armoires de batteries Tripp Lite sont utilisés.



The screenshot shows the Tripp-Lite web interface for battery configuration. The top navigation bar includes the Tripp-Lite logo, '20kVA', 'Single Mode', and the date/time '2020-04-06 11:11:11'. Below this is a 'Home' icon and 'AC Line Mode' with status indicators for a fire alarm (0) and a warning (0). The main configuration area has three rows of settings, each with left and right arrow buttons for navigation and up/down arrow buttons for value adjustment:

Parameter	Value
Battery Group:	1
Battery Number:	20
Single Battery Capability (AH):	9

At the bottom right, there is a 'Save Config' button with a circular arrow icon.

Figure 4-28A : Configuration des batteries

## 4. Fonctionnement

**Max charge current** : le Max charge current (courant de charge max.) est défini et configuré par défaut à l'usine pour les modèles d'onduleur avec des batteries internes lorsqu'ils fonctionnent sans armoire de batteries externe (S3M10K1B, S3M10K2B, S3M10K3B, S3M15K2B, S3M15K3B, S3M20K3B). Toutefois, pour connecter une armoire de batteries externe, consulter le manuel de l'armoire de batteries pour des détails spécifiques à la configuration de l'onduleur requise en fonction du modèle d'armoire de batteries particulier.

**Cell float voltage (V/élément) (tension d'annonciation des éléments)** : la valeur de la tension d'annonciation peut se situer entre 2,23 et 2,30 V/cell, et est configurée à 2,27 V/élément par défaut.

**Cell boost voltage (V/élément) (tension d'amplification des éléments)** : la valeur de la tension uniformisée des batteries peut se situer entre 2,30 et 2,40 V/élément et est configurée à 2,35 V/élément par défaut.

**Aver charging Duration (min) (durée moyenne de charge)** : permet d'améliorer la limite de temps de charge. La valeur peut se situer entre 1 et 999 minutes, et est configurée à 240 par défaut.

**Remarque** : Average Charging Duration (durée moyenne de charge) (min) est défini et configuré par défaut à 240 min. (4 heures) à l'usine pour les modèles d'onduleur avec des batteries internes lorsqu'ils fonctionnent sans armoire de batteries externe (modèles S3M10K1B, S3M10K2B, S3M10K3B, S3M15K2B, S3M15K3B, S3M20K3B). Toutefois, pour connecter une armoire de batteries externe, consulter le manuel de l'armoire de batteries particulière pour des détails sur la configuration de l'onduleur requise pour le modèle d'armoire de batteries particulier.

The screenshot shows the 'AC Line Mode' configuration screen for a Tripp-Lite 20kVA Single Mode UPS. The screen displays four adjustable parameters with left and right arrow buttons for navigation and a 'Save Config' button at the bottom. The parameters and their values are:

Parameter	Value
Max charge current	20
Cell float voltage (V/Cell)	2.27
Cell boost voltage (V/Cell)	2.35
Aver Charging Duration (min)	240

Figure 4-28B : Configuration des batteries

**EOD Battery Volt (0,01 V/élément)** : tension de fin de décharge. La valeur peut se situer entre 1,60 et 1,90. La valeur par défaut est 1,67

**Float Temp Compens Coeff** : permet de modifier la tension de compensation après l'activation du commutateur. La valeur peut se situer entre 0,001 V/élément et 0,007 V/élément. La valeur par défaut est 0,003 V/élément.

**Boost Charge Setting** : réglage de l'activation ou de la désactivation de la charge forcée. La valeur par défaut est « enable » (activer).

**No Battery Warning** : lorsque configuré à Disable (désactiver), le vibreur ne se fera pas entendre. Configurer à Enable (activer) pour des avertissements sonores des batteries. La valeur par défaut est « Enable » (activer).

The screenshot shows the 'AC Line Mode' configuration screen for a Tripp-Lite 20kVA Single Mode UPS. The screen displays four adjustable parameters with left and right arrow buttons for navigation and a 'Save Config' button at the bottom. The parameters and their values are:

Parameter	Value
EOD Battery Volt (0.01V/Cell)	1.67
Float Temp Compens Coeff (0.001/Cell/°C)	0.003
Boost Charge Setting	Enable
No Battery Warning	Alarm

Figure 4-28B : Configuration des batteries

## 4. Fonctionnement

5. Cliquer sur l'icône **Bypass Setup** (configuration de la dérivation) pour modifier les valeurs suivantes et sélectionner la configuration à changer/sauvegarder. Cliquer sur l'icône **Back** (retour) pour revenir à la fenêtre précédente ou cliquer sur l'icône **Home Page** (page d'accueil) pour passer directement à la page principale.

**Bypass Volt Prot Lower Limit (%)** : lorsque la différence entre la tension de dérivation et la tension nominale excède le seuil inférieur pour la tension de dérivation, le système détermine que la tension de dérivation est anormale et que la dérivation est indisponible. La valeur peut être -10 %, -15 %, -20 %, -30 % ou -40 %. La valeur par défaut est -40 %.

**Bypass Volt Prot Limit (%)** : lorsque la différence entre la tension de dérivation et la tension nominale excède le seuil supérieur pour la tension de dérivation, le système détermine que la tension de dérivation n'est pas normale et que la dérivation est indisponible.

**Remarques :**

- Lorsque le niveau de tension est 120 V, la plage de valeurs est 10 %, 15 %, 20 % et 25 % (par défaut).
- Lorsque le niveau de tension est 127 V, la plage de valeurs est 10 %, 15 % et 20 % (par défaut).
- *Bypass Frequency Tracking Range* : lorsque la différence entre la fréquence d'entrée de dérivation et la fréquence nominale est supérieure à cette valeur, le système détermine que la fréquence de dérivation n'est pas normale et que la dérivation est indisponible. La plage de valeurs est 1 %, 2 %, 4 %, 5 % et 10 % (par défaut).

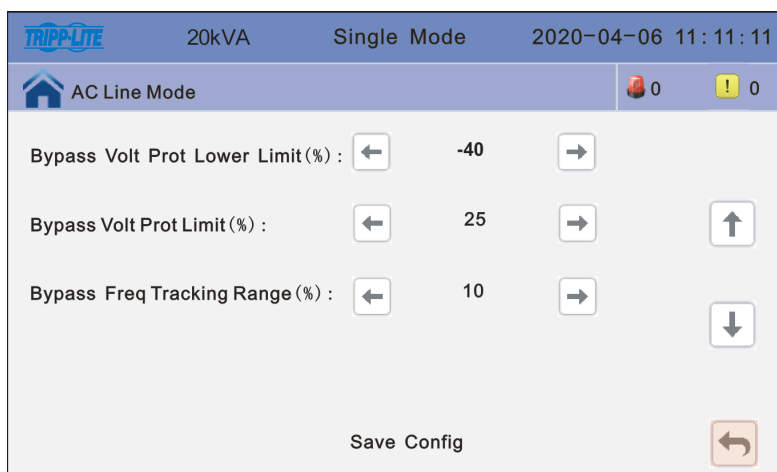


Figure 4-29 : Configuration de la dérivation

6. Cliquer sur l'icône **Password** (mot de passe) pour accéder à l'interface des réglages du mot de passe de l'utilisateur. Saisir l'ancien mot de passe et le nouveau mot de passe, puis cliquer sur **Save Config** (sauvegarder la configuration) pour confirmer le changement. Le format du mot de passe est six chiffres. Cliquer sur l'icône **Back** (retour) pour revenir à la fenêtre précédente ou cliquer sur l'icône **Home Page** (page d'accueil) pour passer directement à la page principale.

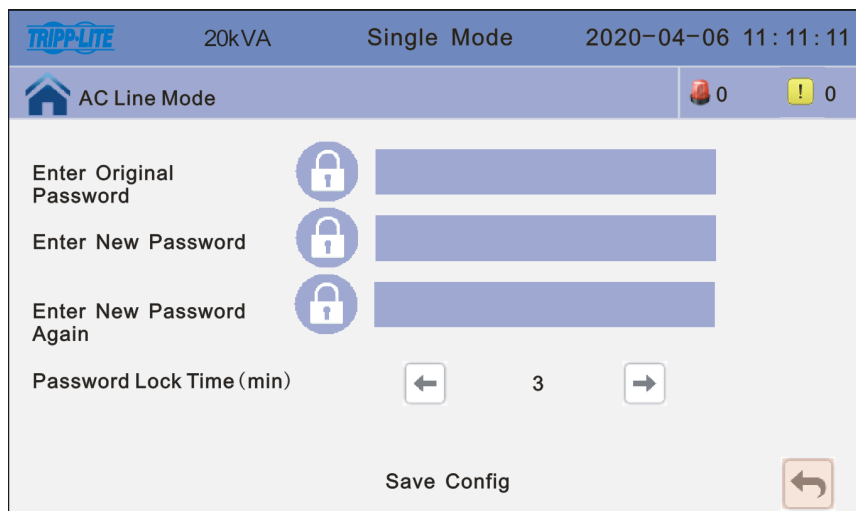


Figure 4-30 : Interface de configuration du mot de passe

## 4. Fonctionnement

### 4.3.6.3 Écran Maint (entretien)

Cliquer sur l'icône **Maint** (entretien) pour accéder à l'interface de l'entretien où il est possible de télécharger les données historiques et effectuer des corrections à l'écran et des autovérifications des batteries. Le USB Wizard (assistant USB) est utilisé pour télécharger le registre d'événements USB. La séquence Regular Battery Auto-test (autotest régulier des batteries) est utilisée pour configurer la fréquence pour le déchargement et le test des batteries. La séquence Screen Correction (correction de l'écran) est utilisée pour actualiser l'écran de l'onduleur après une mise à jour du micrologiciel de l'écran ACL de l'onduleur. Pour des questions supplémentaires au sujet de cet écran, contacter le soutien de Tripp Lite à [tripplite.com/support](http://tripplite.com/support).

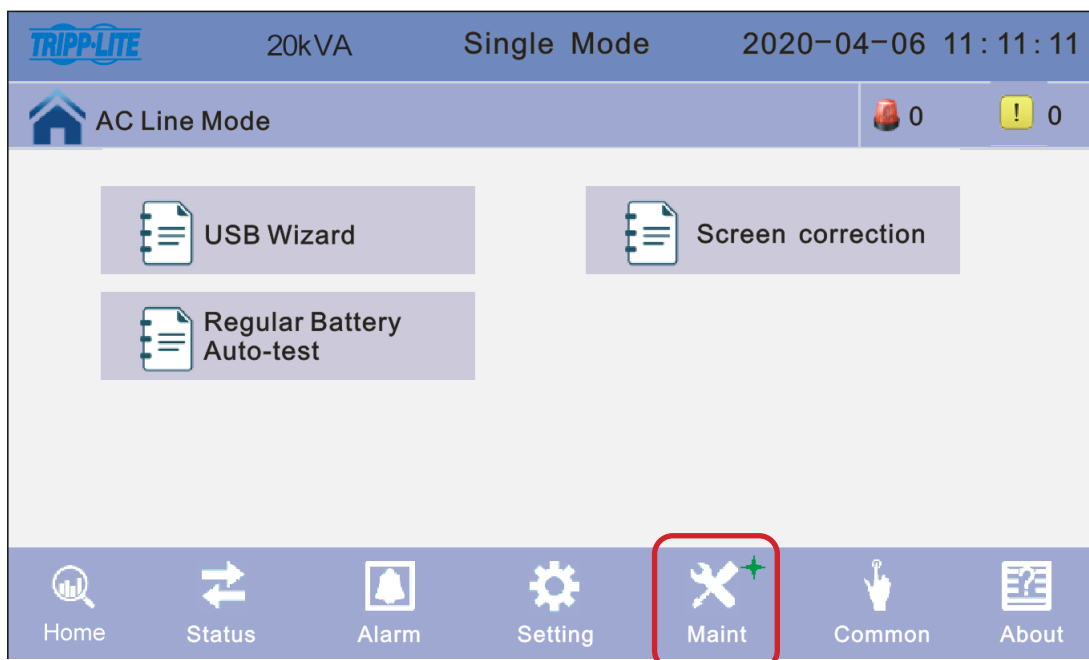


Figure 4-31 : Interface de l'entretien

1. Cliquer sur l'icône **USB Wizard** (assistant USB) pour accéder à l'interface History Output (sortie de l'historique) pour afficher les événements enregistrés. L'onduleur peut enregistrer jusqu'à 4000 événements.

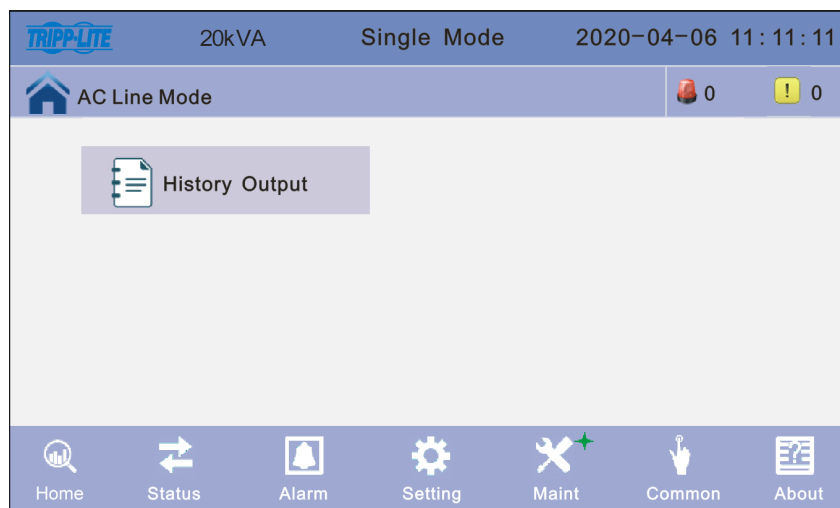


Figure 4-32 : Interface de la sortie de l'historique

## 4. Fonctionnement

2. Cliquer sur l'icône **Regular Battery Auto-Test** (autotest régulier des batteries) pour accéder à l'interface de l'autotest des batteries. Deux synchronisations sont offertes : par jour ou par semaine. Le paramètre par défaut est off (arrêt). Cliquer sur l'icône **Back** (retour) pour revenir à la fenêtre précédente ou cliquer sur l'icône **Home Page** (page d'accueil) pour passer directement à la page principale.

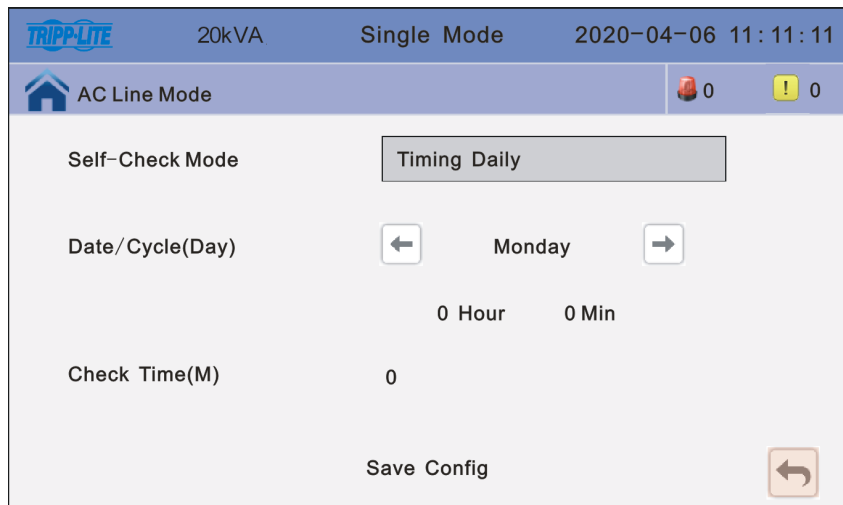


Figure 4-33 : Interface de l'autotest des batteries

3. L'icône **Screen Correction** (correction de l'écran) est utilisée uniquement après la mise à niveau du programme ACL et uniquement si, après la mise à niveau du programme ACL, la position de l'écran n'est pas exacte. Par exemple, après la mise à niveau du programme ACL, si l'écran ACL n'affiche pas correctement le signe « + » à l'endroit précis où l'utilisateur clique, il est alors recommandé d'effectuer une correction de l'écran en cliquant sur l'icône **Screen Correction** (correction de l'écran). Appuyer ensuite sur **Confirm** (confirmer) sur l'écran ACL.

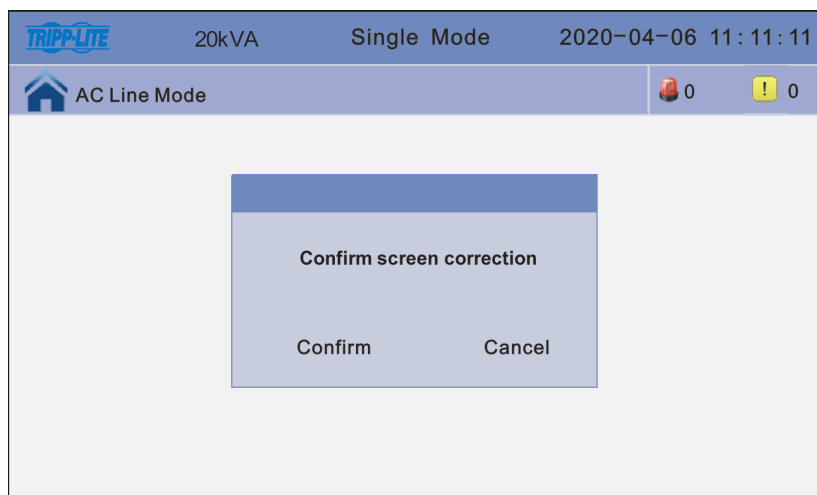


Figure 4-34 : Interface de la correction de l'écran

## 4. Fonctionnement

### 4.3.6.4 Écran commun

Cliquer sur l'icône **Common** (commun) pour accéder à l'interface Common (commun), y compris les réglages communs.

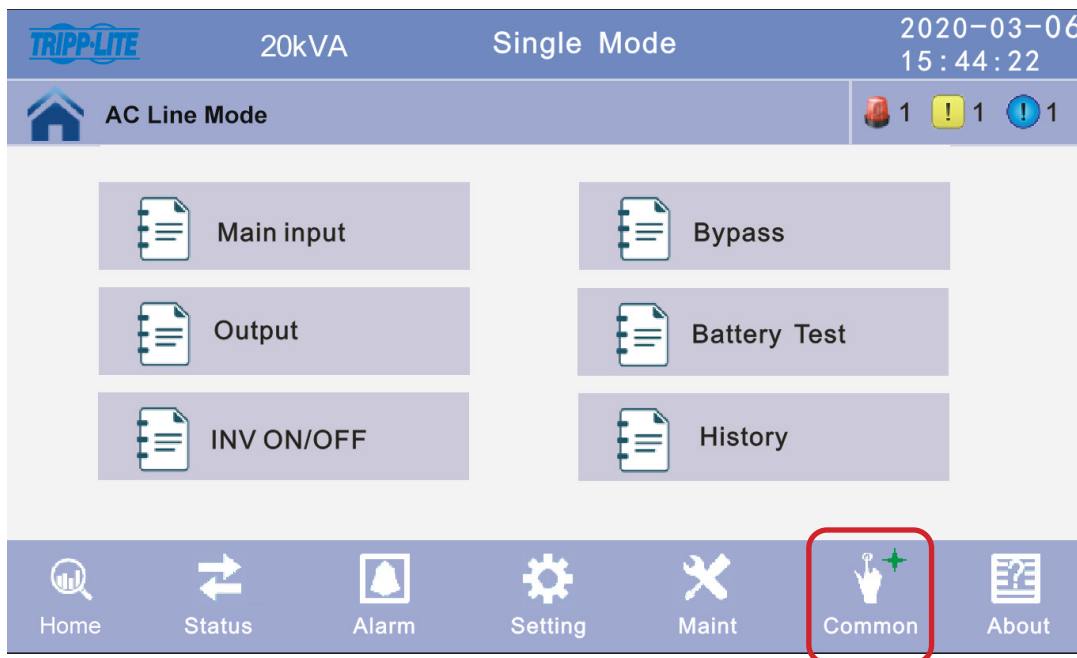


Figure 4-35 : Interface Common (commun)

1. Cliquer sur l'icône **INV ON/OFF** pour accéder à l'interface des réglages, puis sélectionner **INV ON / INV OFF**. Cliquer sur l'icône **Back** (retour) pour revenir à la fenêtre précédente ou cliquer sur l'icône **Home Page** (page d'accueil) pour passer directement à la page principale.

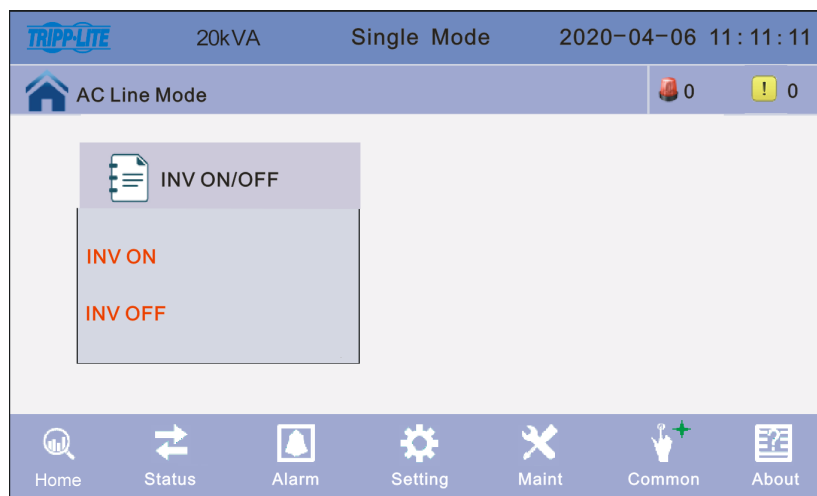


Figure 4-36 : Interface INV ON/OFF



## 4. Fonctionnement

2. Cliquer sur l'icône **Battery Test** (test des batteries) pour accéder à l'interface des réglages Battery (test des batteries), puis sélectionner le réglage du test des batteries souhaité. Cliquer sur l'icône **Back** (retour) pour revenir à la fenêtre précédente ou cliquer sur l'icône **Home Page** (page d'accueil) pour passer directement à la page principale.

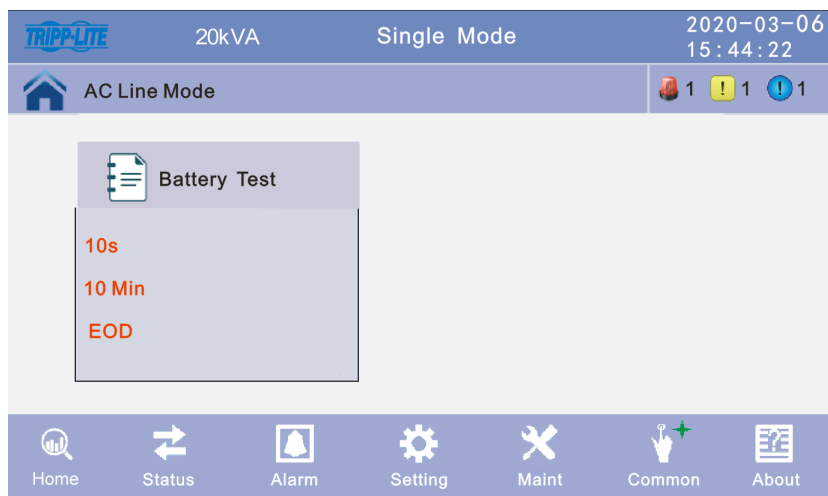


Figure 4-37 : Interface du test des batteries

### 4.3.6.5 À propos de l'écran

Cliquer sur l'icône **About** (à propos de) pour accéder à l'interface About (à propos de). Cet écran affiche les versions actuelles du logiciel LCD (affichage ACL), REC et INV.

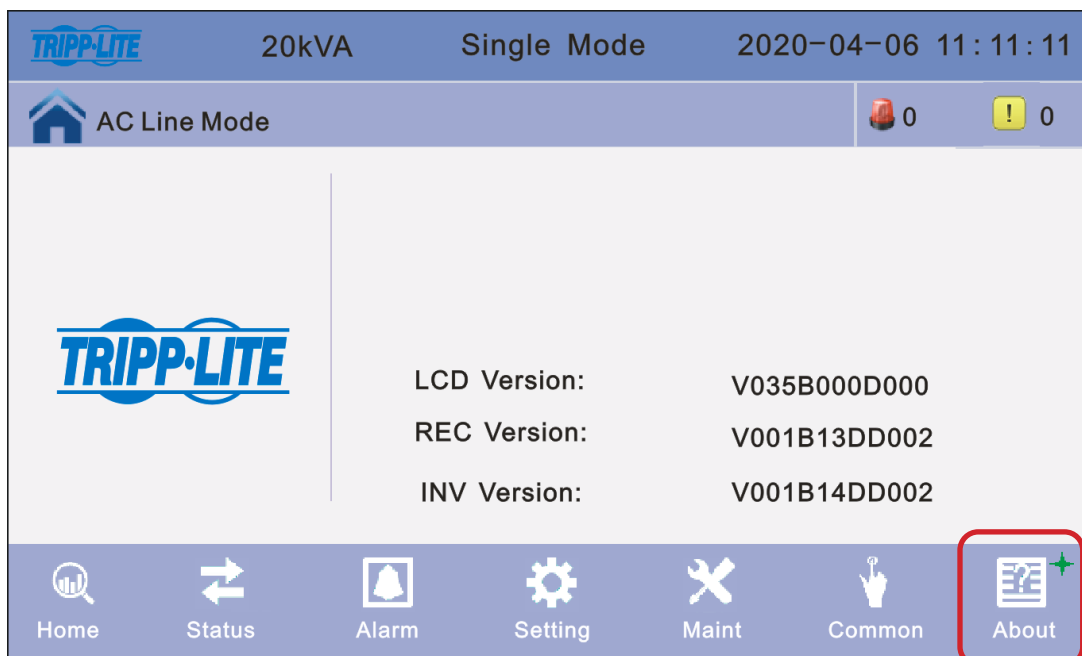


Figure 4-38 : À propos de l'écran

## 4. Fonctionnement

### 4.4 Affichage des messages et des alarmes

Cette section dresse une liste des alarmes sonores et des voyants à DEL qui peuvent être affichés par l'onduleur pendant le fonctionnement normal ou des défaillances.

		Alarmes sonores		Voyants à DEL de l'affichage			
		État de l'alarme	Mutable On/Off (marche/arrêt)	Alarme	Dérivation	Batterie	Inverseur
<b>Modes de l'onduleur</b>	Initialisation de l'onduleur	Émet un bip, une seule fois	Non	Clignote/ 0,5 seconde	Clignote/ 0,5 seconde	Clignote/ 0,5 seconde	Clignote/ 0,5 seconde
	Mode en ligne de l'onduleur (normal)	Aucun bip	Aucun bip	Arrêt	Arrêt	Arrêt	Marche
	Mode batterie de l'onduleur	Émet un bip/2 secondes	Oui	Arrêt	Arrêt	Marche	Arrêt
	Mode test de la batterie de l'onduleur	Aucun bip	Aucun bip	Arrêt	Arrêt	Marche	Arrêt
	Mode ECO de l'onduleur	Aucun bip	Aucun bip	Arrêt	Marche	Arrêt	Arrêt
	Mode Attente de l'onduleur	Aucun bip	Aucun bip	Arrêt	Arrêt	Arrêt	Arrêt
	Mode de dérivation statique de l'onduleur	Aucun bip	Aucun bip	Arrêt	Marche	Arrêt	Arrêt
	Mode de dérivation d'entretien de l'onduleur	Aucun bip	Aucun bip	Arrêt	Marche	Arrêt	Arrêt
	Mode convertisseur de fréquence de l'onduleur	Aucun bip	Aucun bip	Arrêt	Arrêt	Arrêt	Marche
	Surcharge (mode de dérivation ou mode batterie)	Émet un bip/1 seconde	Oui	Arrêt	Marche	Marche	Arrêt

		Alarmes sonores		Voyants à DEL de l'affichage			
		État de l'alarme	Mutable On/Off (marche/arrêt modifiable)	Alarme	Dérivation	Batterie	Inverseur
<b>Avertissements concernant l'onduleur</b>	Batterie inversée	Émet un bip/1 seconde	Oui	Marche	Arrêt	Arrêt	Arrêt
	Aucune batterie	Émet un bip/1 seconde	Oui	Arrêt	Arrêt	Clignote/ 1 seconde	Arrêt
	Défaillance du chargeur de batteries P	Bips continus	Oui	Marche	Arrêt	Arrêt	Marche
	Défaillance du chargeur de batteries N	Bips continus	Oui	Marche	Arrêt	Arrêt	Marche
	Sous-tension de la batterie	Émet un bip/1 seconde	Oui	Arrêt	Arrêt	Clignote/ 1 seconde	Arrêt
	Préavertissement de batterie faible	Émet un bip/1 seconde	Oui	Arrêt	Arrêt	Clignote/ 1 seconde	Arrêt
	Fréquence du secteur Anormale	Émet un bip/2 secondes	Oui	Arrêt	Arrêt	Marche	Arrêt
	Tension du secteur Anormale	Émet un bip/2 secondes	Oui	Arrêt	Arrêt	Marche	Arrêt
	Problème de câblage au niveau du site de dérivation	Émet un bip/1 seconde	Oui	Arrêt	Marche	Arrêt	Arrêt
	Dérivation non disponible	Aucun bip	Aucun bip	Arrêt	Clignote/ 1 seconde	Arrêt	Arrêt
	Surcharge en parallèle	Émet un bip/2 secondes	Oui	Arrêt	Arrêt	Arrêt	Clignote/ 1 seconde
	Surintensité de dérivation	Émet un bip/1 seconde	Oui	Arrêt	Clignote/ 1 seconde	Arrêt	Arrêt
	Protection contre la rétroaction	Émet un bip/1 seconde	Oui	Arrêt	Marche	Marche	Arrêt

## 4. Fonctionnement

		Alarmes sonores		Voyants à DEL de l'affichage			
		État de l'alarme	Mutable On/Off (marche/arrêt modifiable)	Alarme	Dérivation	Batterie	Inverseur
<b>Défaillances de l'onduleur</b>	Défaillance du redresseur	Bips continus	Oui	Marche	Marche	Arrêt	Arrêt
	Température excessive au niveau du redresseur	Émet un bip/1 seconde	Oui	Marche	Marche	Arrêt	Arrêt
	Température excessive au niveau de l'inverseur	Émet un bip/1 seconde	Oui	Marche	Marche	Arrêt	Arrêt
	Surintensité du redresseur	Émet un bip/1 seconde	Oui	Marche	Marche	Arrêt	Arrêt
	Défaillance de l'alimentation auxiliaire 1	Bips continus	Oui	Marche	Marche	Arrêt	Arrêt
	Défaillance de l'alimentation auxiliaire 2	Bips continus	Oui	Marche	Marche	Arrêt	Arrêt
	Échec du thyristor d'entrée	Bips continus	Oui	Marche	Marche	Arrêt	Arrêt
	Défaillance du ventilateur	Bips continus	Oui	Marche	Marche	Arrêt	Arrêt
	Défaillance de l'alimentation du ventilateur	Bips continus	Oui	Marche	Marche	Arrêt	Arrêt
	Surtension du bus CC	Bips continus	Oui	Marche	Marche	Arrêt	Arrêt
	Bus CC en deçà de la tension	Bips continus	Oui	Marche	Marche	Arrêt	Arrêt
	Déséquilibre du bus CC	Bips continus	Oui	Marche	Marche	Arrêt	Arrêt
	Problème de câblage au niveau du site du secteur	Émet un bip/1 seconde	Oui	Marche	Marche	Arrêt	Arrêt
	Échec du démarrage en douceur	Bips continus	Oui	Marche	Arrêt	Arrêt	Arrêt
Alimentation neutre d'entrée manquante	Émet un bip/1 seconde	Oui	Marche	Marche	Arrêt	Arrêt	

		Alarmes sonores		Voyants à DEL de l'affichage			
		État de l'alarme	Fréquence de l'alarme	Alarme	Batterie	Dérivation	Inverseur
<b>Défaillances de l'onduleur</b>	Surtension de la batterie	Émet un bip/1 seconde	Oui	Clignote/ 1 seconde	Marche	Arrêt	Arrêt
	Défaillance de l'onduleur	Bips continus	Oui	Marche	Marche	Arrêt	Arrêt
	Inv. Pont IGBT court-circuité	Bips continus	Oui	Marche	Marche	Arrêt	Arrêt
	Thyristor de l'inverseur court-circuité	Bips continus	Oui	Marche	Marche	Arrêt	Arrêt
	Thyristor de l'inverseur brisé	Bips continus	Oui	Marche	Marche	Arrêt	Arrêt
	Thyristor de dérivation court-circuité	Bips continus	Oui	Marche	Marche	Arrêt	Arrêt
	Thyristor de dérivation brisé	Bips continus	Oui	Marche	Arrêt	Arrêt	Arrêt
	CAN Comm. Défaillance	Émet un bip/1 seconde	Oui	Marche	Arrêt	Arrêt	Arrêt
	Défaillance du partage de la charge en parallèle	Émet un bip/1 seconde	Oui	Marche	Marche	Arrêt	Arrêt
	Surintensité IGBT	Bips continus	Oui	Marche	Marche	Arrêt	Arrêt
	Fusible rompu	Bips continus	Oui	Marche	Marche	Arrêt	Arrêt
	Erreur de connexion de câble	Émet un bip/1 seconde	Oui	Marche	Marche	Arrêt	Arrêt
	Défaillance du relais en parallèle	Bips continus	Oui	Marche	Marche	Arrêt	Arrêt
	Défaillance de l'initialisation	Bips continus	Oui	Marche	Arrêt	Arrêt	Arrêt
	Inverseur activé non valide	Bips continus	Oui	Marche	Marche	Arrêt	Arrêt
	Raccourci pour la sortie	Émet un bip/1 seconde	Oui	Clignote/ 1 seconde	Arrêt	Arrêt	Arrêt
	Court-circuit A SCR de dérivation	Bips continus	Oui	Marche	Marche	Arrêt	Arrêt
	Court-circuit B SCR de dérivation	Bips continus	Oui	Marche	Marche	Arrêt	Arrêt
	Court-circuit C SCR de dérivation	Bips continus	Oui	Marche	Marche	Arrêt	Arrêt
	Défaillance du ventilateur de l'armoire	Bips continus	Oui	Marche	Marche	Arrêt	Arrêt
Communication interne Erreur	Émet un bip/2 secondes	Oui	Marche	Arrêt	Arrêt	Arrêt	

## 5. Mise en service du système en parallèle

Les systèmes en parallèle ne doivent être mis en service qu'une fois la configuration terminée pour les systèmes individuels.

L'exemple ci-dessous est pour la mise en service de quatre appareils en parallèle.

1. Confirmer que les connexions des câbles d'entrée/de sortie et la phase d'entrée sont correctes. Mettre le disjoncteur des batteries hors tension, puis mesurer pour s'assurer que les tensions +/- des batteries de tous les groupes de batteries sont normaux.
2. Connecter le câble en parallèle. Il devrait s'agir d'une connexion en forme de boucle.
3. Mettre sous tension le disjoncteur d'entrée de l'appareil 1, puis accéder à l'interface des réglages de l'affichage ACL pour configurer le mode de fonctionnement en parallèle, l'identifiant, le nombre pour le mode en parallèle et le nombre pour la redondance. (Consulter la section **4.3.6.2.**) Configurer les réglages requis pour le numéro de série et la capacité des batteries. Le niveau de tension de sortie et la plage de protection de dérivation sont des réglages par défaut.
4. Mettre hors tension le disjoncteur d'entrée de l'appareil 1, puis s'assurer que l'onduleur est hors tension. Mettre sous tension le disjoncteur d'entrée de l'appareil 2. Accéder à l'interface des réglages de l'affichage ACL pour configurer le mode de fonctionnement en parallèle, l'identifiant, le nombre pour le mode en parallèle et le nombre pour la redondance. Les autres réglages sont les mêmes que pour le fonctionnement de l'onduleur 1.
5. Pour l'appareil 3 et l'appareil 4, les paramètres de fonctionnement sont les mêmes que pour les appareils 1 et 2.
6. Mettre sous tension les disjoncteurs de dérivation/d'entrée/de sortie sur tous les onduleurs en parallèle, puis confirmer que tous les réglages sont corrects. Chaque onduleur à un identifiant différent.
7. Mettre sous tension tous les disjoncteurs de batteries, puis confirmer que les paramètres (V/I) sont normaux.
8. Connecter la charge, puis vérifier pour s'assurer que les courants de sortie sont équilibrés.
9. Mettre le disjoncteur du secteur sous tension et hors tension pour tester le système de convertisseur de tous les onduleurs depuis le secteur jusqu'aux batteries, puis s'assurer que les fonctions rétablies fonctionnent.

## 6. Dépannage

Si l'onduleur ne fonctionne pas normalement, vérifier la présence d'erreurs au niveau de l'installation, du câblage ou du fonctionnement. Si tous ces aspects ne présentent aucune erreur, contacter le soutien à [tripplite.com/support](http://tripplite.com/support) avec les renseignements suivants :

1. Nom de modèle et numéro de série du produit
2. Description du problème avec des détails tels que les informations sur l'affichage ACL, l'état des voyants à DEL, etc.

Lire attentivement ce manuel de l'utilisateur. Le tableau ci-dessous peut aider l'utilisateur à résoudre facilement le problème.

N°	Problème	Raison possible	Solution
1	L'alimentation du secteur est raccordée, mais l'onduleur ne peut pas être mis sous tension.	<ul style="list-style-type: none"> <li>• La source d'alimentation d'entrée n'est pas connectée.</li> <li>• Faible tension d'entrée</li> <li>• Le commutateur d'entrée de l'onduleur n'est pas sous tension.</li> </ul>	<ul style="list-style-type: none"> <li>• Mesurer si la tension/fréquence de l'onduleur se situe à l'intérieur du créneau.</li> <li>• S'assurer que l'entrée de l'onduleur est sous tension.</li> </ul>
2.	L'alimentation du secteur est normale, mais le voyant à DEL Utility (secteur) ne s'allume pas et l'onduleur fonctionne en mode batterie.	<ul style="list-style-type: none"> <li>• Les disjoncteurs d'entrée de l'onduleur ne sont pas sous tension.</li> <li>• Le câble d'entrée n'est pas solidement raccordé.</li> </ul>	<ul style="list-style-type: none"> <li>• Mettre sous tension le disjoncteur d'entrée.</li> <li>• S'assurer que le câble d'entrée est solidement raccordé.</li> </ul>
3	L'onduleur n'indique pas une défaillance, mais il n'y a aucune tension de sortie.	<ul style="list-style-type: none"> <li>• Le câble de sortie n'est pas solidement raccordé.</li> <li>• Le commutateur du disjoncteur de sortie n'est pas sous tension.</li> </ul>	<ul style="list-style-type: none"> <li>• S'assurer que le câble de sortie est solidement raccordé.</li> <li>• Mettre sous tension le disjoncteur de sortie.</li> </ul>
4	Le voyant à DEL Utility (secteur) clignote.	La tension du secteur excède la plage d'entrée de l'onduleur.	Si l'onduleur fonctionne en mode batterie, prêter attention au temps de sauvegarde restant nécessaire pour le système.
5	Le voyant à DEL Battery (batterie) clignote, mais il n'y a aucune tension de charge et aucun courant.	<ul style="list-style-type: none"> <li>• Le disjoncteur des batteries n'est pas sous tension.</li> <li>• Les batteries sont endommagées.</li> <li>• La batterie est connectée à l'envers.</li> <li>• Le nombre de batteries et la capacité ne sont pas configurés correctement.</li> </ul>	<ul style="list-style-type: none"> <li>• Mettre sous tension le disjoncteur des batteries.</li> <li>• Si les batteries sont endommagées, remplacer l'ensemble du groupe de batteries. Connecter correctement les câbles des batteries.</li> <li>• Accéder au réglage de l'affichage ACL pour le nombre de batteries et la capacité, et pour configurer les bonnes données.</li> </ul>
6	Le vibreur émet un bip toutes les 0,5 seconde et l'écran ACL affiche « output overload » (surcharge de la sortie).	Surcharge	Enlever une partie de la charge.
7	Le vibreur émet deux longs bips, l'écran ACL affiche le code d'erreur 29.	La sortie de l'onduleur est court-circuitée.	S'assurer que la charge n'est pas court-circuitée, puis redémarrer l'onduleur.
8	L'onduleur fonctionne uniquement en mode de dérivation.	L'onduleur est configuré en mode ECO.	Configurer le mode de fonctionnement de l'onduleur à mode normal.
9	Incapable de mettre sous tension	<ul style="list-style-type: none"> <li>• Le commutateur des batteries n'est pas correctement fermé.</li> <li>• Le fusible des batteries n'est pas ouvert.</li> <li>• La batterie est faible</li> <li>• La quantité de batteries est configurée incorrectement.</li> <li>• Le disjoncteur d'alimentation dans le panneau arrière n'est pas en position ON (marche).</li> </ul>	<ul style="list-style-type: none"> <li>• Fermer le commutateur des batteries.</li> <li>• Changer le fusible.</li> <li>• Recharger la batterie.</li> <li>• Mettre l'onduleur sous tension avec l'alimentation CA pour configurer la bonne quantité de batteries.</li> <li>• Mettre sous tension le disjoncteur d'alimentation.</li> </ul>
10	Le vibreur émet continuellement un bip et l'écran ACL affiche les codes de défaillance 1, 3, 5, 9, 15, etc.	L'onduleur est en panne.	Consulter l'agent local pour la réparation.

# 7. Communications

## 7.1 Carte de gestion Web

La **WEBCARDLX** de Tripp Lite est un accessoire en option offert pour tous les modèles. La carte WEBCARDLX permet la surveillance et le contrôle à distance par le biais de plusieurs interfaces : Web HTML5 via HTTP(S), menu/CLI via SSH/Telnet et SNMP pour l'intégration avec les plateformes de gestion de logiciel, comme DCIM. En utilisant la carte WEBCARDLX dans l'onduleur combinée aux PDU commutées prises en charge par le réseau de Tripp Lite, il est possible de gérer l'alimentation à travers l'installation et recevoir des alertes automatisées pour identifier des problèmes avant qu'ils ne provoquent des temps d'arrêt.

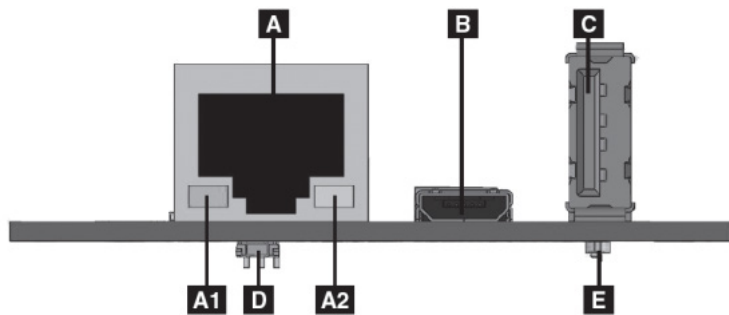
La **carte WEBCARDLX** prend également en charge une famille de sondes pour la surveillance à distance des conditions environnementales. Il est possible de relier jusqu'à trois sondes ensemble en les connectant à un seul port sur la carte WEBCARDLX. Tripp Lite offre le logiciel de système de gestion de logiciel gratuit PowerAlert®. En apprendre davantage et télécharger en visitant [tripplite.com/products/power-alert](http://tripplite.com/products/power-alert).



### 7.1.1 Caractéristiques de la carte WEBCARDLX

Ce qui suit est une introduction aux caractéristiques de la carte WEBCARDLX de Tripp Lite. Pour afficher la description complète de la fonctionnalité de la carte, télécharger son manuel de l'utilisateur en visitant [tripplite.com/support](http://tripplite.com/support).

- A** Port Ethernet : la prise RJ45 permet de connecter la carte WEBCARDLX au réseau avec un cordon de raccordement Ethernet standard. Le voyant à DEL Link (lien) **A1** et le voyant à DEL Status (état) **A2** indiquent les conditions de fonctionnement.
- B** Port Micro-USB : Utiliser ce port pour fournir un raccordement terminal direct à un ordinateur avec un émulateur de terminal.
- C** Port USB de type A : utiliser ce port pour connecter un module ENVIROSENSE 2 de Tripp Lite (E2MT, E2MTDO, E2MTDI, E2MTHDI) pour une variété d'options de surveillance environnementale et de contrôle. Visiter [tripplite.com](http://tripplite.com) pour des informations supplémentaires sur ces modules.  
*Remarque : Ne pas brancher un clavier ou une souris à ce port.*
- D** Bouton de réinitialisation : Le bouton de réinitialisation est encastré et est accessible au moyen d'un petit trou sous le port de réseau RJ45.
- E** Voyant à DEL Status (état) : indique l'état de la carte WEBCARDLX.



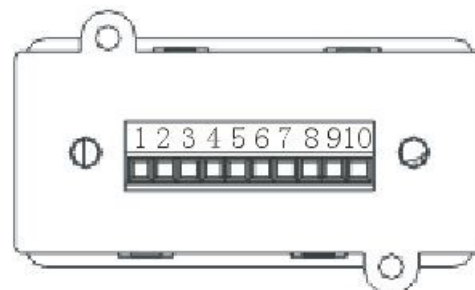
## 7.2 Carte de relais

Une borne à 10 broches prend en charge une carte de relais pour fournir les fonctions de dérivation, de défaillance du secteur, d'inverseur activé, de batterie faible, de défaillance de l'onduleur, d'alarme de l'onduleur et de mise hors tension de l'onduleur.

La carte de communication du relais comporte six sorties à contact sec et une entrée à contact sec. Les entrées et les sorties sont programmées en usine selon les fonctions mentionnées dans le tableau suivant.

### Contacts du relais (carte de communication)

Broche	Description des fonctions	Entrée ou sortie
1	Défaillance du secteur	Sortie
2	Batterie faible	
3		
4	Dérivation activée	
5	Défaillance de l'onduleur	
6	Inverseur activé	
7	Récapitulatif des alarmes	
8	Commun	
9	Arrêt à distance +	Entrée (5 à 12 V)



# 7. Communications

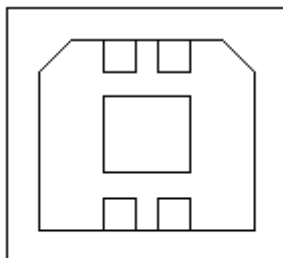
## 7.3 Définition du port de communication USB



### Remarques :

- Les interfaces USB, RS-232 et RS-485 ne peuvent pas être utilisées simultanément. Une seule interface peut être utilisée à la fois.
- Ces trois ports de communication utilisent un protocole MODBUS. Consulter le manuel de l'utilisateur du MODBUS triphasé S3M10-20kVA. Le manuel MODBUS peut être téléchargé depuis la page du modèle d'onduleur S3M10-20K spécifique en visitant [tripplite.com](http://tripplite.com).

Le port de communication USB est un connecteur femelle USB de Type-B.



### Connexions entre le port USB de l'ordinateur connecté et le port USB de l'onduleur

Port USB de l'ordinateur	Port USB de l'onduleur	Description
Broche 1	Broche 1	Ordinateur : +5 V
Broche 2	Broche 2	Ordinateur : signal DPLUS
Broche 3	Broche 3	Ordinateur : signal DMINUS
Broche 4	Broche 4	Mise à la terre du signal

### Fonctions disponibles pour le port USB

- Surveillance de l'état de l'alimentation de l'onduleur
- Surveillance des données sur les alarmes de l'onduleur
- Surveillance des paramètres de fonctionnement de l'onduleur
- Réglage de l'activation/désactivation de la synchronisation
- Communication un à un, de l'onduleur à un ordinateur, à une distance de moins de 1,5 m

### Format des données de communication USB

- Débit en bauds : 9 600 bps
- Longueur d'octet : 8 bits
- Bit d'arrêt : 1 bit
- Vérification de la parité : aucune

## 7. Communications

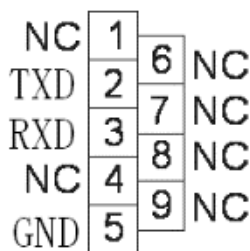
### 7.4 Définition du port de communication RS-232



**Remarques :**

- Les interfaces USB, RS-232 et RS-485 ne peuvent pas être utilisées simultanément. Une seule interface peut être utilisée à la fois.
- Ces trois ports de communication utilisent un protocole MODBUS. Consulter le manuel de l'utilisateur du MODBUS triphasé S3M10-20kVA. Le manuel MODUBS peut être téléchargé depuis la page du modèle d'onduleur S3M10-20K spécifique en visitant [tripplite.com](http://tripplite.com).

Le port RS-232 est un connecteur mâle.



#### Connexion entre le port RS-232 de l'ordinateur connecté et le port RS-232 de l'onduleur

Port RS-232 de l'ordinateur	Port RS-232 de l'onduleur	
Broche 2	Broche 2	Envoyé par l'onduleur, reçu par l'ordinateur
Broche 3	Broche 3	Envoyé par l'ordinateur, reçu par l'onduleur
Broche 5	Broche 5	Mise à la terre

#### Fonctions disponibles pour le port RS-232

- Surveillance de l'état de l'alimentation de l'onduleur
- Surveillance des données sur les alarmes de l'onduleur
- Surveillance des paramètres de fonctionnement de l'onduleur
- Réglage de l'activation/désactivation de la synchronisation
- Communication un à un, de l'onduleur à un ordinateur, à une distance de moins de 5 m

#### Format des données de communication RS-232

- Débit en bauds : 9 600 bps
- Longueur d'octet : 8 bits
- Bit d'arrêt : 1 bit
- Vérification de la parité : aucune

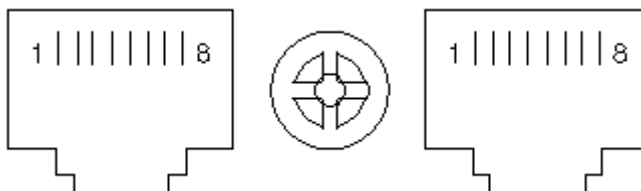
### 7.5 Définition du port de communication RS-485



**Remarques :**

- Les interfaces USB, RS-232 et RS-485 ne peuvent pas être utilisées simultanément. Une seule interface peut être utilisée à la fois.
- Ces trois ports de communication utilisent un protocole MODBUS. Consulter le manuel de l'utilisateur du MODBUS triphasé S3M10-20kVA. Le manuel MODUBS peut être téléchargé depuis la page du modèle d'onduleur S3M10-20K spécifique en visitant [tripplite.com](http://tripplite.com).

Le port RS-485 est un connecteur femelle.





# 7. Communications

## Connexion entre le port RS-485 du dispositif connecté et le port RS-485 de l'onduleur

Dispositif (RJ-45)	Onduleur (RJ-45)	Description
Broche 1/5	Broche 1/5	485+ « A »
Broche 2/4	Broche 2/4	485 - « B »
Broche 7	Broche 7	+12 V CC
Broche 8	Broche 8	GND (masse)

### Fonctions disponibles pour le port RS-485

- Surveillance de l'état de l'alimentation de l'onduleur.
- Surveillance des données sur les alarmes de l'onduleur.
- Surveillance des paramètres de fonctionnement de l'onduleur.
- Réglage de l'activation/désactivation de la synchronisation.
- Surveillance de la température de l'environnement des batteries.
- Modulation de la tension de chargement en fonction de la température des batteries

### Format des données de communication RS-485

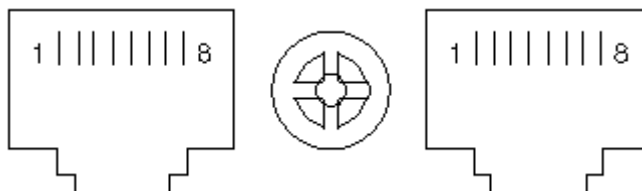
- Débit en bauds : 9 600 bps
- Longueur d'octet : 8 bits
- Bit d'arrêt : 1 bit
- Vérification de la parité : aucune

## 7.6 Définition du port de communication BAT\_T



**Remarque :** Les interfaces USB, RS-232 et RS-485 ne peuvent pas être utilisées simultanément. Une seule interface peut être utilisée à la fois.

Le port BAT\_T est un connecteur femelle. Le thermostat de l'armoire de batteries externes utilisé pour la compensation de la température de charge peut être connecté à ce port.



## Connexion entre le port RJ45 de la sonde de température et le port RJ45 de l'onduleur

Sonde de température (RJ45)	BAT_T de l'onduleur (RJ45)	Description
Broche 1/5	Broche 1/5	TX
Broche 2/4	Broche 2/4	RX
Broche 7	Broche 7	12 V
Broche 8	Broche 8	GND (masse)

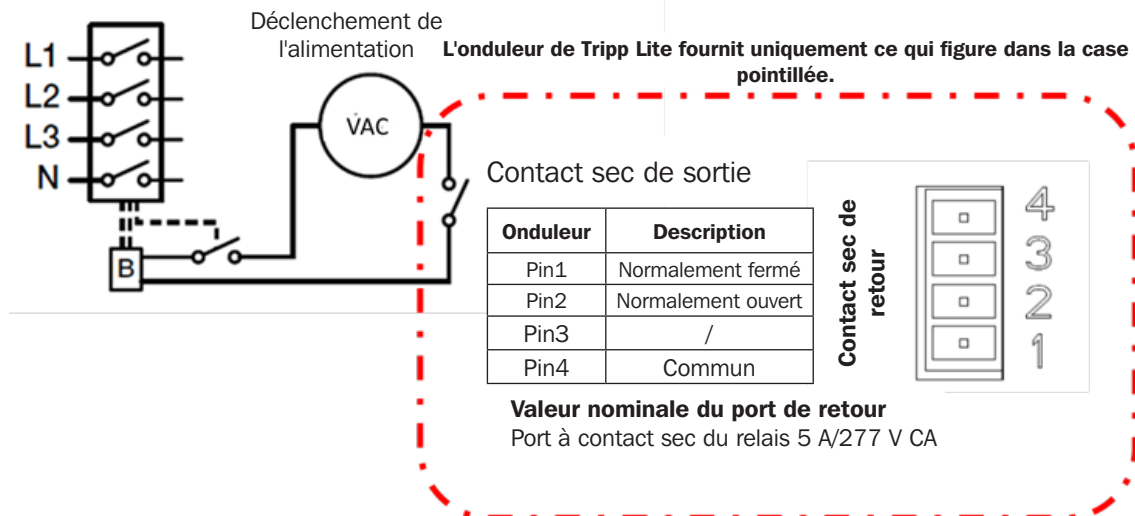
### Fonctions disponibles pour le port BAT\_T

- Surveillance de la température de l'environnement des batteries
- Modulation de la tension de chargement en fonction de la température des batteries

## 7. Communications

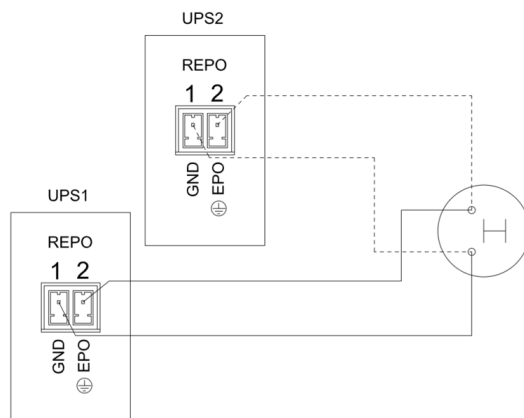
### 7.7 Retour : port des contacts secs du relais

Le port de retour est un connecteur mâle.



### 7.8 Connexion REPO

Schéma de connexion



#### Connexion entre le bouton et le port REPO de l'onduleur

Bouton	REPO de l'onduleur	Description
Broche 1	Broche 1	Arrêt d'urgence (EPO)
Broche 2	Broche 2	GND (masse)

- Un commutateur d'arrêt d'urgence à distance (signal à contact sec et « normalement fermé », non inclus) peut être installé à distance et connecté par le biais de fils simples au connecteur REPO.
- Le commutateur à distance peut être connecté à plusieurs onduleurs dans une architecture parallèle, permettant à l'utilisateur d'arrêter tous les appareils en même temps.
- Le contact REPO doit être ouvert pendant au moins 3 secondes pour être activé.

## 8. Entreposage et entretien

### 8.1 Entreposage

L'onduleur doit être entreposé dans un environnement propre et sûr et où la température est inférieure à 40 °C (104 °F) et l'humidité relative est inférieure à 90 % (sans condensation). Entposer l'onduleur dans son conteneur d'expédition original si possible. Si l'installation a lieu plus de 6 mois après la réception de l'onduleur, recharger les batteries pendant au moins 24 heures avant l'utilisation. Ne pas se fier à l'onduleur pour fournir une alimentation de secours à l'équipement connecté jusqu'à ce que les batteries soient entièrement chargées.

#### Entreposage de l'onduleur et des batteries

Lors de l'entreposage d'un onduleur avec des batteries autonomes et des armoires en option, les exigences suivantes doivent être satisfaites :

- S'assurer que les batteries sont déconnectées de l'onduleur et que tous les disjoncteurs se trouvent en position « off » (désactivé).
- Éviter les températures et l'humidité extrêmes. Pour maximiser la durée de vie des batteries, la température d'entreposage recommandée est de 15 à 25 °C (59 à 77 °F).
- L'onduleur et toutes les batteries doivent être rechargés tous les 6 à 8 mois.
- Il est recommandé de laisser charger les batteries pendant 48 heures pendant l'entreposage.

**Remarque :** Si l'onduleur demeure hors tension pendant une période prolongée, il est recommandé de le mettre périodiquement sous tension pour permettre aux batteries de se recharger. L'onduleur doit être mis sous tension et les batteries doivent être rechargées pendant une période ininterrompue d'au moins 24 heures tous les 3 mois. Si les batteries ne sont pas rechargées périodiquement, cela risque de causer des dommages irréversibles aux batteries.

### 8.2 Entretien

Tripp Lite recommande qu'un entretien annuel de prévention soit effectué sur ce produit pour en assurer la fiabilité et la longévité. Le démarrage, l'entretien préventif et les réparations doivent être confiés à des techniciens certifiés pour valider toutes les garanties. Contacter le représentant local ou envoyer un courriel à [sales@tripplite.com](mailto:sales@tripplite.com) pour plus d'informations.

#### Entretien général de l'onduleur et des batteries

La zone autour de l'onduleur doit être gardée propre et exempte de poussière.

Pour une durée de vie complète des batteries, garder l'onduleur à une température ambiante de 25 °C (77 °F).

**Remarque :** La durée de vie utile varie en fonction de la fréquence d'utilisation et de la température ambiante. Les batteries utilisées au-delà de la durée de vie utile prévue donneront souvent lieu à une durée de fonctionnement considérablement réduite. Remplacer les batteries au moins tous les 5 ans pour permettre à l'appareil de fonctionner au maximum de son efficacité.

- L'onduleur fonctionne avec une tension dangereuse. Les réparations doivent être confiées uniquement à des techniciens de Tripp Lite certifiés.
- Même lorsque l'appareil est déconnecté du secteur, des composants potentiellement dangereux à l'intérieur de l'onduleur sont toujours connectés aux modules de batteries.
- Avant de procéder à tout type de service et/ou d'entretien, débrancher les batteries, puis vérifier l'absence de courant et qu'il n'existe aucune tension dangereuse au niveau des bornes des condensateurs à capacité élevée, comme les condensateurs BUS.
- Seuls des techniciens qualifiés prenant les mesures de sécurité requises peuvent remplacer les batteries et superviser les opérations. Les personnes non autorisées ne devraient pas effectuer l'entretien des batteries.
- Vérifier qu'aucune tension n'est présente entre les bornes des batteries et la mise à la terre avant de procéder à l'entretien ou à la réparation. Le circuit des batteries n'est pas isolé de la tension de sortie. Des tensions dangereuses peuvent être présentes entre les bornes des batteries et la mise à la terre.
- Les batteries peuvent présenter un risque de secousses électriques et avoir un courant élevé du court-circuit. Enlever toutes les montres, bagues et tous les autres objets métalliques personnels avant de procéder à l'entretien ou à la réparation, et utiliser uniquement des outils ayant un manche et des poignées isolées pour effectuer l'entretien ou la réparation.

## 8. Entreposage et entretien

- Au moment de remplacer les batteries, les remplacer avec le même type et le même nombre de batteries de même capacité.
- Ne pas tenter d'éliminer les batteries en les brûlant. Les batteries risqueraient d'exploser. Les batteries doivent être éliminées de manière appropriée conformément aux réglementations locales.
- Ne pas ouvrir ou détruire les batteries. Les électrolytes dégagés peuvent être toxiques et peuvent causer des blessures à la peau et aux yeux.
- Pour éviter les risques d'incendie, remplacer le fusible uniquement par un fusible de même type et de même ampérage.
- Ne pas démonter l'onduleur.

### 8.3 Batteries

Les onduleurs de la série S3M de Tripp Lite utilisent des batteries au plomb scellées. La durée de vie de la batterie dépend de la température de fonctionnement, de l'utilisation et de la fréquence de charge/décharge. Les environnements à température élevée et les fréquences élevées de charge/décharge réduisent rapidement la durée de vie de la batterie. Veuillez suivre les conseils ci-dessous pour garantir une durée de vie normale des batteries.

1. Garder la température de fonctionnement entre 0 et 40 °C (32 et 104 °F).
2. Pour une performance et une durée de vie optimales des batteries, les utiliser à une température régulée de 25 °C (77 °F).
3. Lorsque l'onduleur doit être stocké pendant une période prolongée, les batteries doivent être rechargées une fois tous les trois mois et la durée de charge doit être d'au moins 24 heures chaque fois.

### 8.4 Ventilateur

Des températures élevées réduisent la durée de vie des ventilateurs. Lorsque l'onduleur fonctionne, vérifier que tous les ventilateurs fonctionnent normalement et s'assurer que l'air peut se déplacer librement autour et dans l'onduleur. Si non, remplacer les ventilateurs.

**Remarque :** Contacter le soutien technique de Tripp Lite pour obtenir plus d'informations sur l'entretien. Ne pas effectuer de tâches de maintenance sans les qualifications nécessaires.

# 9. Caractéristiques techniques

Modèle	S3M10K1B	S3M10K2B	S3M10K3B	S3M10K-NIB	S3M15K2B	S3M15K3B	S3M15K-NIB	S3M20K3B	S3M20K-NIB
<b>VUE D'ENSEMBLE</b>									
Capacité	10 kVA/10 kW	10 kVA/10 kW	10 kVA/10 kW	10 kVA/10 kW	15 kVA/15 kW	15 kVA/15 kW	15 kVA/15 kW	20 kVA/20 kW	20 kVA/20 kW
Topologie	Double conversion en ligne réelle; indépendante de la tension et de la fréquence (VFI)								
<b>ENTRÉE</b>									
Tension et phase	Ph-Ph 208/220 V (Ph-N 120 V/127 V); triphasé, neutre et mise à la terre								
Plage de tension	-20 %, +25 % (Ph-Ph 166 à 260 V ou 176 à 275 V) à 100 % de charge; -40 %, +25 % (Ph-Ph 125 à 260 V ou 132 à 275 V) à < 50 % de charge								
Fréquence (plage)	50/60 Hz, sélectionnable (40 à 70 Hz)								
Facteur de puissance	≥ 0,99 (charge linéaire)								
Entrée CA double	Oui								
Distorsion harmonique	< 2 % THDi (100 % de charge)								
<b>SORTIE</b>									
Tension et phase	Ph-Ph 208/220 V (Ph-N 120 V/127 V); triphasé, neutre et mise à la terre								
Régulation de tension CA	± 1 % de la valeur nominale (mode double conversion, mode convertisseur ou mode batterie); ± 10 % de la valeur nominale (mode ECO)								
Facteur de puissance	1,0 (facteur de puissance de sortie unitaire)								
Fréquence	Sélectionnable ± 1 %, ± 2 %, ± 4 %, ± 5 %, ± 10 % de l'entrée (par défaut : ± 10 %)								
Régulation de la fréquence	± 0,1 Hz (mode convertisseur ou mode batterie)								
Surcharge (mode CA)	Charge ≤ 110 % = 1 heure; charge ≤ 125 % = 10 min.; charge ≤ 150 % = 1 min.; charge > 150 % = dérivation								
Facteur de crête	3:1 maximum								
Distorsion harmonique	≤ 1 % THD (100 % de charge linéaire); ≤ 3 % THD (100 % de la charge non linéaire)								
Formes d'onde	Onde sinusoïdale pure								
Temps de transfert	0 ms (ligne ↔ batterie et inverseur ↔ dérivation)								
Capacité en parallèle	Installer jusqu'à 4 appareils en parallèle pour une capacité accrue ou une redondance N+N.								
<b>BYPASS (dérivation)</b>									
Plage de tension de dérivation	Limite supérieure : +10 %, +15 %, +20 % ou +25 % (par défaut : +20 %); limite inférieure : -10 %, -20 %, -30 % ou -40 % (par défaut : -30 %)								
Plage de fréquence de dérivation	± 10 % (réglable)								
<b>EFFICACITÉ</b>									
Mode en ligne CA	Jusqu'à 94 %								
Mode ECO	Jusqu'à 98 %								
<b>BATTERIE ET CHARGEUR</b>									
Type de batterie	VRLA AGM/GEL de 12 V étanche sans entretien								
La tension accepte CC	± 120 V CC (240 V CC) (valeur nominale)								
Configuration des batteries	Internes seulement	Internes seulement	Internes seulement	Externes seulement*	Internes seulement	Internes seulement	Externes seulement*	Internes seulement	Externes seulement*
Nombre de batteries internes	20 x 9 Ah	40 x 9 Ah	60 x 9 Ah	Aucune*	40 x 9 Ah	60 x 9 Ah	Aucune*	60 x 9 Ah	Aucune*
Durée de fonctionnement (100 % de charge) (est.)	4 min.	9 min.	20 min.	27 à 88 min.*	6 min.	13 min.	15 à 55 min.*	7 min.	10 à 38 min.*
Durée de fonctionnement (50 % de charge) (est.)	10 min.	22 min.	45 min.	60 à 212 min.*	13 min.	27 min.	35 à 125 min.*	16 min.	27 à 88 min.*
Modules de batteries externes(BP)/ Armoire pour modèles d'onduleur sans batteries internes	Consulter la section <b>3.9.1 Compatibilité de l'onduleur et de l'armoire de batteries.</b>								
Temps de recharge à 90 %	≤ 8 heures	≤ 8 heures	≤ 8 heures	Varie selon le module de batteries	≤ 8 heures	≤ 8 heures	Varie selon le module de batteries	≤ 8 heures	Varie selon le module de batteries
Intensité de charge (par défaut)	1 20 A (1,35 A)	1 20 A (2,7 A)	1 20 A (4,05 A)	1 20 A (2,7 A)	1 20 A (2,7 A)	1 20 A (4,05 A)	1 20 A (2,7 A)	1 20 A (4,05 A)	1 20 A (2,7 A)
<b>ENVIRONNEMENT (environnement)</b>									
Température de fonctionnement	0 à 40 °C (≤ 25 °C pour une durée de vie utile optimale des batteries.)								
Température d'entreposage	0 à 35 °C (onduleur avec batteries); -15 à 60 °C (onduleur sans batteries)								
Humidité de fonctionnement	0 à 95 % (sans condensation)								
Altitude de fonctionnement	< 1 000 m (réduire la valeur nominale de la puissance de sortie de 1 % par 100 m au-dessus de 1 000 m.)								
Bruit audible à 1 m	< 58 dBA	< 58 dBA	< 58 dBA	< 58 dBA	< 58 dBA	< 58 dBA	< 58 dBA	< 60 dBA	< 60 dBA
Dissipation thermique (100 % de charge)	2 457 BTU/h			3 686 BTU/h			4 915 BTU/h		
<b>MANAGEMENT (gestion)</b>									
Panneau de configuration	Grand écran tactile de 12,7 cm (5 po) en plusieurs langues avec voyants à DEL supplémentaires								
Communications	Carte de gestion du réseau SNMP (WEBCARDLX)**; fente pour carte de relais I/O, EPO/REPO, sonde de température, MODBUS RTU via les ports RS-485, RS-232 et USB								
<b>NORMES</b>									
Sécurité	UL1778:2014 (5e édition); CAN/CSA-C22.2 No. 107.3-14 (3e édition)								
CEM/EMI	FCC Part 15B Class A								
En plus	ENERGY STAR 2.0, RETIE, indice de protection IP20; RoHS; testé ISTA 3B/vibration, choc et extrémité.								
<b>PHYSIQUE</b>									
Dimensions de l'appareil (H x l x P)	868 x 250 x 900 mm (34,2 x 9,8 x 35,4 po)								
Poids de l'appareil	136 kg (300 lb)	187 kg (412 lb)	237 kg (522 lb)	81 kg (179 lb)	188 kg (414 lb)	238 kg (525 lb)	82 kg (181 lb)	239 kg (527 lb)	83 kg (183 lb)

\* La durée de fonctionnement dépend du modèle d'armoire de batteries externes utilisée. \*\* La WEBCARDLX de Tripp Lite est un accessoire en option offert pour tous les modèles.

# 10. Garantie

## Garantie d'usine limitée pour les onduleurs triphasés de Tripp Lite

Le vendeur garantit que ce produit, s'il est utilisé conformément aux spécifications du fabricant, comme spécifié dans le manuel de l'utilisateur, et à toutes les instructions applicables, comme vérifié par le service de mise en service de l'onduleur de Tripp Lite, est exempt de tous défauts de matériaux et de fabrication. La présente garantie s'applique à la période :

Type de produit	Région	
	États américains continentaux et Canada	Marchés internationaux (ne comprenant pas les États-Unis et le Canada)
Électronique de l'onduleur et batteries internes de l'onduleur	Deux ans à compter de la mise en service de l'onduleur Tripp Lite ou 30 mois à compter de l'expédition, selon le moindre des deux.	Deux ans à compter de la mise en service de l'onduleur Tripp Lite ou 30 mois à compter de l'expédition, selon le moindre des deux.
Batteries externes de l'onduleur	Un an à compter de la mise en service de l'onduleur Tripp Lite ou 18 mois à compter de l'expédition, selon le moindre des deux.	Un an à compter de la mise en service de l'onduleur Tripp Lite ou 18 mois à compter de l'expédition, selon le moindre des deux.

Si le produit s'avère défectueux en raison d'un vice de matériau ou de fabrication au cours de cette période, le vendeur s'engage à réparer ou remplacer les pièces défectueuses sans frais.

Le produit doit être mis en service par un technicien autorisé et approuvé de Tripp Lite et les documents de mise en service et d'entretien doivent être soumis à et approuvés par Tripp Lite pour que la présente garantie soit valide. Si le produit n'a pas été mis en service par un technicien en entretien autorisé de Tripp Lite, des pièces de rechange admissibles peuvent être fournies, mais des frais pour les pièces inadmissibles et des frais de main-d'œuvre peuvent s'appliquer, basés sur les prix des pièces et les taux des heures de travail et du matériel publiés par Tripp Lite.

La présente garantie ne s'applique pas aux batteries ou aux autres composants provenant d'ailleurs que chez Tripp Lite. La présente garantie n'est pas transférable et s'applique uniquement à l'utilisateur final original. La présente garantie ne s'applique pas aux autres extensions de garantie ou contrats de service de Tripp Lite, car ces produits disposent de leurs propres conditions. Le service sous cette garantie peut être uniquement obtenu en contactant le service à la clientèle de Tripp Lite :


- Pour les États-Unis et le Canada : écrire au service à la clientèle de Tripp Lite, 1111 W. 35th St., Chicago, IL 60609; appeler le +1 773 869-1234, envoyer un courriel à [techsupport@tripplite.com](mailto:techsupport@tripplite.com) ou visiter [tripplite.com/support/help](http://tripplite.com/support/help).
- Pour toutes les autres régions : appeler le +1 773 869-1313 ou envoyer un courriel à [intlservice@tripplite.com](mailto:intlservice@tripplite.com).

CETTE GARANTIE NE S'APPLIQUE PAS À L'USURE NORMALE OU AUX DOMMAGES RÉSULTANT D'UNE MAUVAISE INSTALLATION, D'UNE MAUVAISE RÉPARATION, D'UNE MAUVAISE MODIFICATION, D'UN MAUVAIS DÉMARRAGE, D'UN MAUVAIS ENTRETIEN OU D'UN TEST PAR DU PERSONNEL NON DÉSIGNÉ PAR TRIPP LITE; D'UN ACCIDENT; D'UNE MAUVAISE UTILISATION; D'UNE NÉGLIGENCE; D'UNE TENSION ÉLECTRIQUE OU D'UNE CONNEXION INCORRECTE OU INADÉQUATE; DE CONDITIONS DE FONCTIONNEMENT SUR PLACE INAPPROPRIÉES; D'UNE ATMOSPHÈRE CORROSIVE; D'UN CHANGEMENT DE LIEU OU D'USAGE OPÉRATIONNEL; D'UNE EXPOSITION AUX ÉLÉMENTS; D'UN ABUS; D'UNE NÉGLIGENCE OU DE TOUTE AUTRE CAUSE AU-DELÀ DE L'UTILISATION PRÉVUE TEL QUE DÉTERMINÉ PAR TRIPP LITE. LE VENDEUR N'ACCORDE AUCUNE GARANTIE EXPRESSE AUTRE QUE LA GARANTIE EXPRESSÉMENT DÉCRITE DANS LE PRÉSENT DOCUMENT. SAUF DANS LA MESURE OÙ CELA EST INTERDIT PAR LA LOI EN VIGUEUR, TOUTE GARANTIE IMPLICITE, Y COMPRIS TOUTES LES GARANTIES DE QUALITÉ MARCHANDE OU D'ADAPTATION À UN USAGE PARTICULIER, SONT LIMITÉES À LA PÉRIODE DE GARANTIE CI-DESSUS ET CETTE GARANTIE EXCLUT EXPRESSÉMENT TOUTS DOMMAGES DIRECTS ET INDIRECTS. (États-Unis : certains États ne permettent pas de limitations sur la durée d'une garantie implicite, et certains États ne permettent pas l'exclusion ou la limitation des dommages fortuits ou consécutifs, de sorte que les limitations ou exclusions susmentionnées peuvent ne pas s'appliquer à vous. Cette garantie vous donne des droits légaux spécifiques, et vous pouvez avoir d'autres droits qui varient selon le territoire.

## Numéros d'identification à la conformité réglementaire

À des fins de certification de conformité réglementaire et d'identification, un numéro de série unique a été attribué au produit Tripp Lite. Le numéro de série, ainsi que toutes les marques d'homologation et les renseignements requis, se trouvent sur la plaque signalétique du produit. Lors d'une demande de renseignements concernant la conformité de ce produit, toujours se reporter au numéro de série. Le numéro de série ne doit pas être confondu avec le nom de la marque ou le numéro de modèle du produit.

## Renseignements sur la conformité à la directive DEEE pour les clients de Tripp Lite et les recycleurs (Union européenne)

 En vertu de la directive et des règlements d'application relatifs aux déchets d'équipements électriques et électroniques (DEEE), lorsque des clients achètent de l'équipement électrique et électronique neuf de Tripp Lite, ils ont droit :

- D'envoyer l'équipement usagé au recyclage pourvu qu'il soit remplacé par un équipement équivalent (cela varie selon les pays)
- D'envoyer le vieil équipement au recyclage en autant qu'il remplace un équipement équivalent (cela varie selon les pays)

La politique de Tripp Lite en est une d'amélioration continue. Les caractéristiques techniques sont modifiables sans préavis. Les produits réels peuvent différer légèrement des photos et des illustrations.





1111 W. 35th Street, Chicago, IL 60609 USA • [triplite.com/support](http://triplite.com/support)

21-03-273 93-3BF2\_RevC