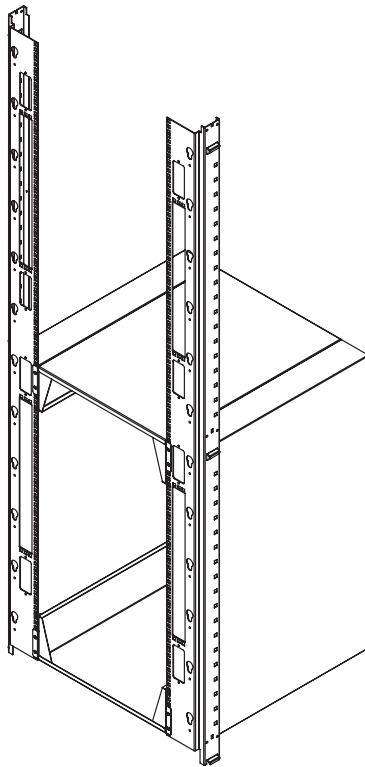
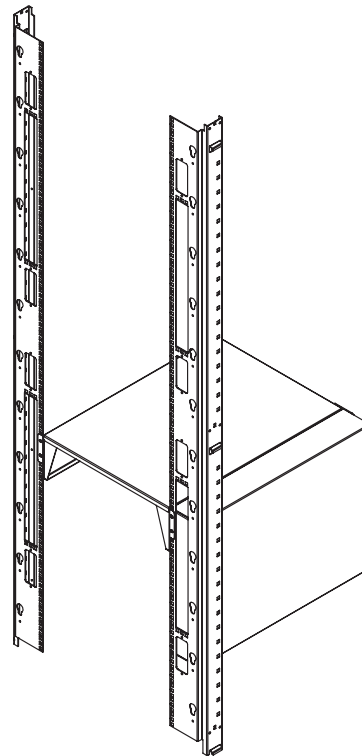


Assembly Instructions

SmartRack® Wide-Rack Air Inlet Duct Kit for Nexus 7 Series Switches



Model: SRDUCTN7009
Pg. 2-3



Model: SRDUCTN7004
Pg. 3-4

PROTECT YOUR INVESTMENT!

Register your product for quicker service and ultimate peace of mind.

You could also win an ISOBAR6ULTRA surge protector—a \$100 value!

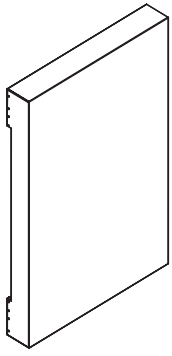
www.tripplite.com/warranty



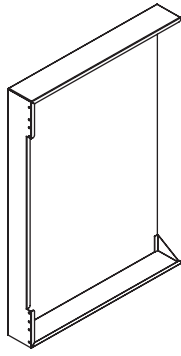
1111 W. 35th Street, Chicago, IL 60609 USA • www.tripplite.com/support

Copyright © 2017 Tripp Lite. All Rights Reserved. All trademarks are the property of their respective owners.

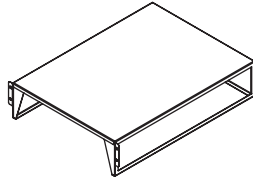
Parts List – SRDUCTN7009



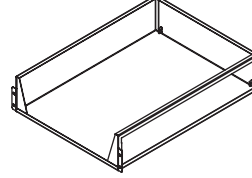
Inlet Box



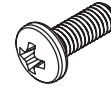
Exhaust Box



Top Tray



Bottom Tray



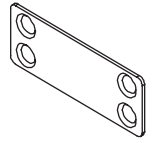
M6 x 16 Screw (x16)



M4 Screw (x7)



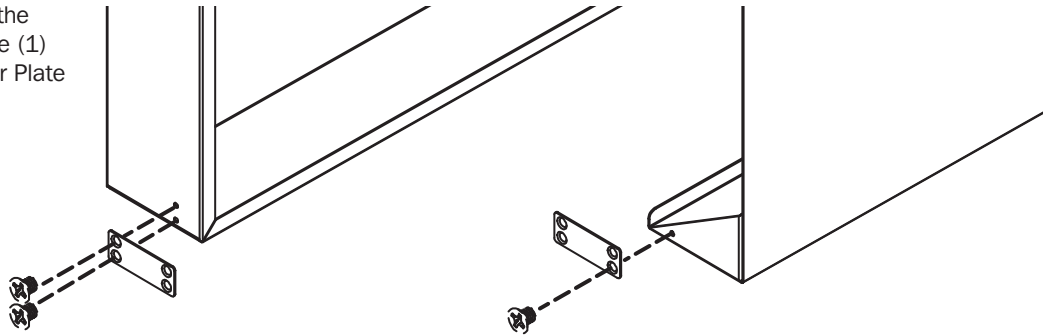
M6 Cup Washer (x16)



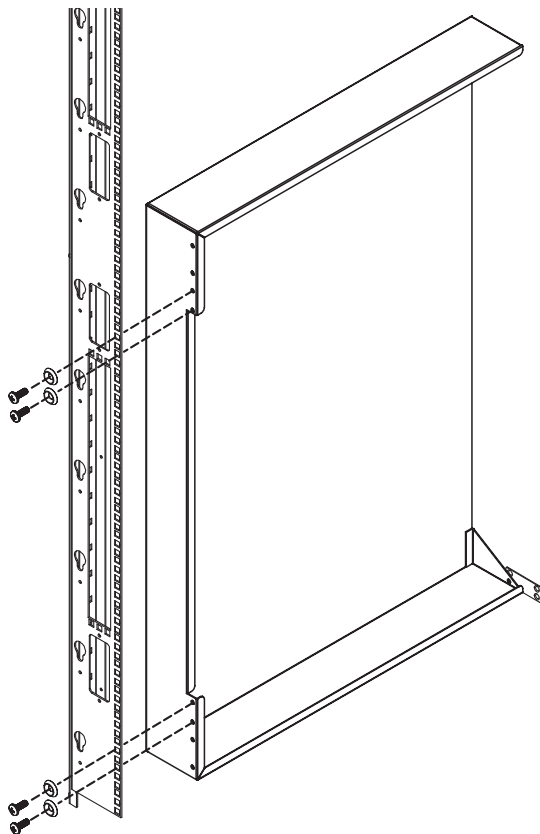
Rear Plate (x2)

Assembly – SRDUCTN7009

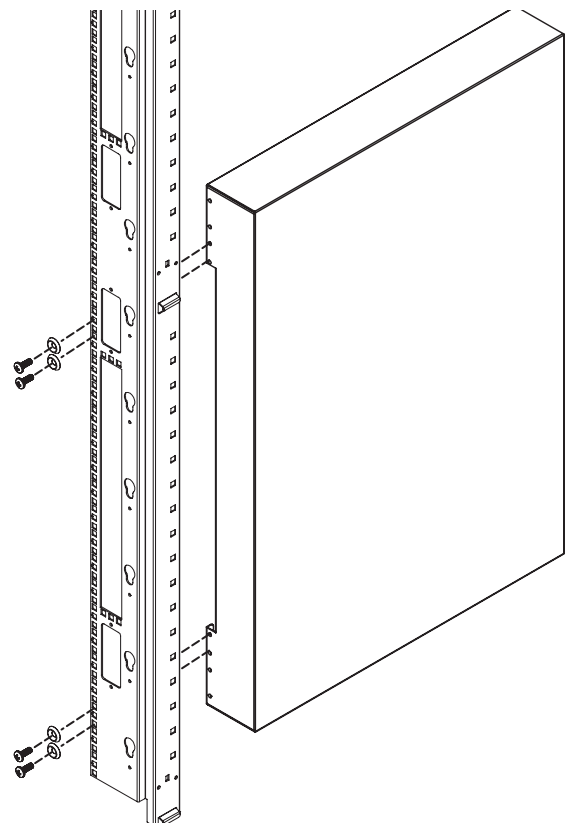
- 1** Use two (2) M4 screws to secure the Rear Plate to the Inlet Box and one (1) M4 screw to secure the other Rear Plate to the Exhaust Box.



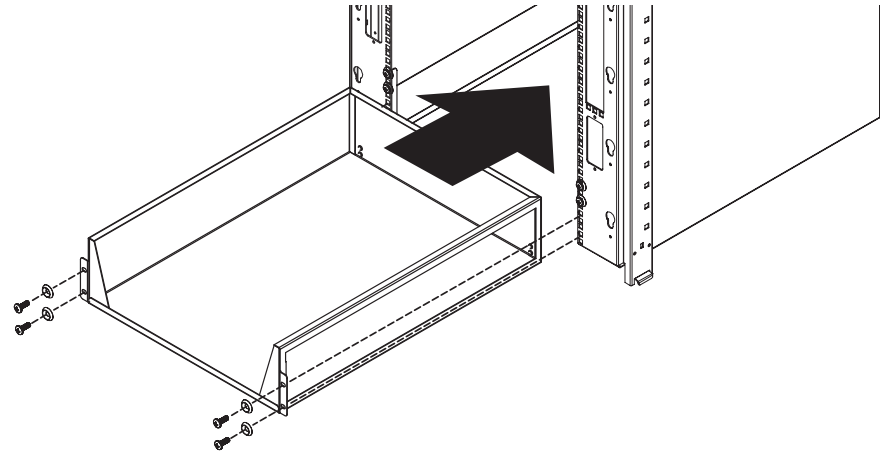
- 2** Attach the Exhaust Box to the Left Rail.



- 3** Attach the Inlet Box to the Right Rail.

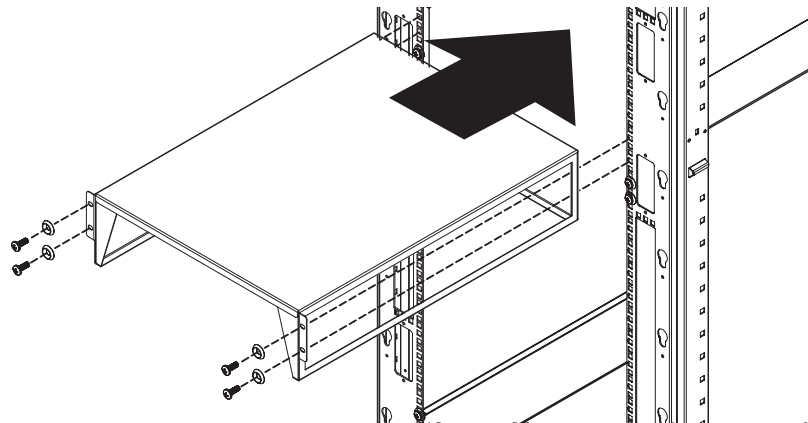
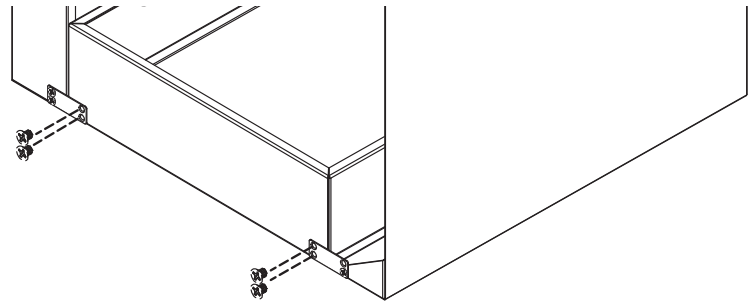


Assembly – SRDUCTN7009



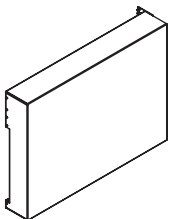
4 Attach the Bottom Tray to the rail assemblies.

5 On the back of the unit, use four (4) M4 screws to secure the Bottom Tray to the Inlet Box and Exhaust Box.

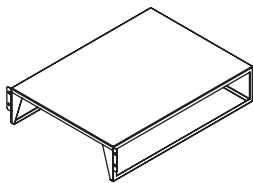


6 Attach the Top Tray to the rail assemblies.

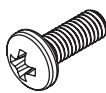
Parts List – SRDUCTN7004



Inlet Box



Top Tray



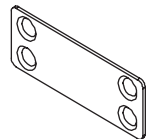
M6 x 16 Screw (x8)



M4 Screw (x4)

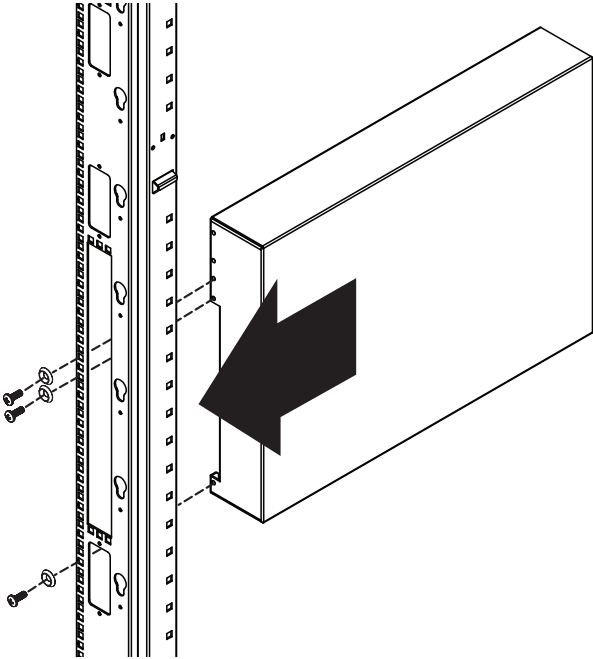


M6 Cup Washer (x8)



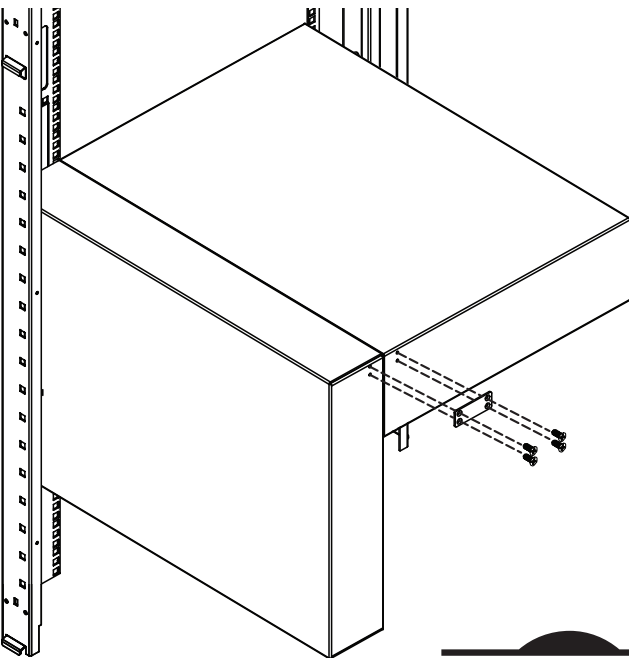
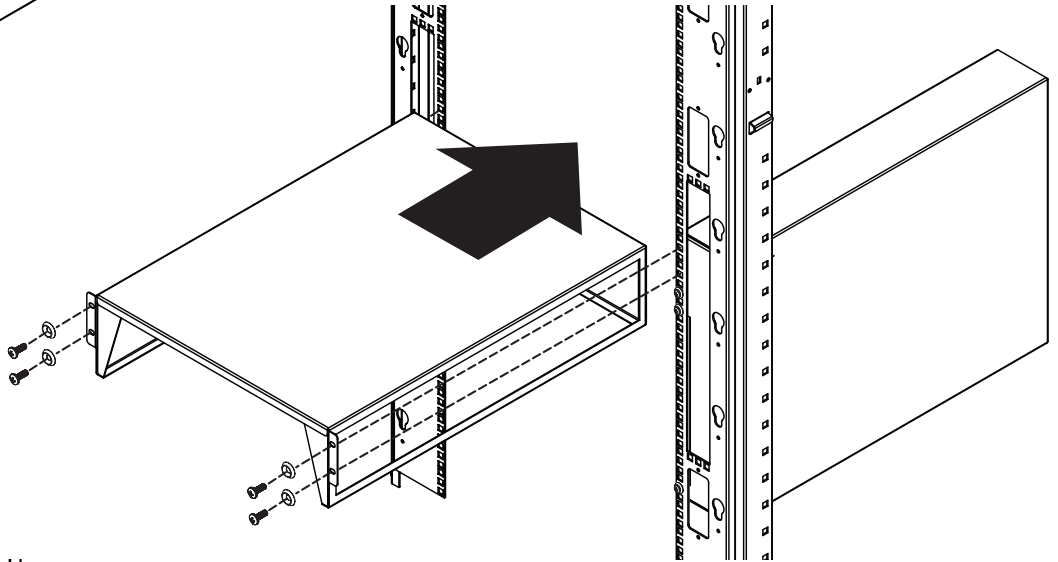
Rear Plate

Assembly – SRDUCTN7004



1 Attach the Inlet Box to the Right Rail.

2 Attach the Top Tray to the rail assemblies.



3 On the back of the unit, use four (4) M4 screws to secure the Top Tray to the Inlet Box.

