



Boldly Creative



Expert Customer Service

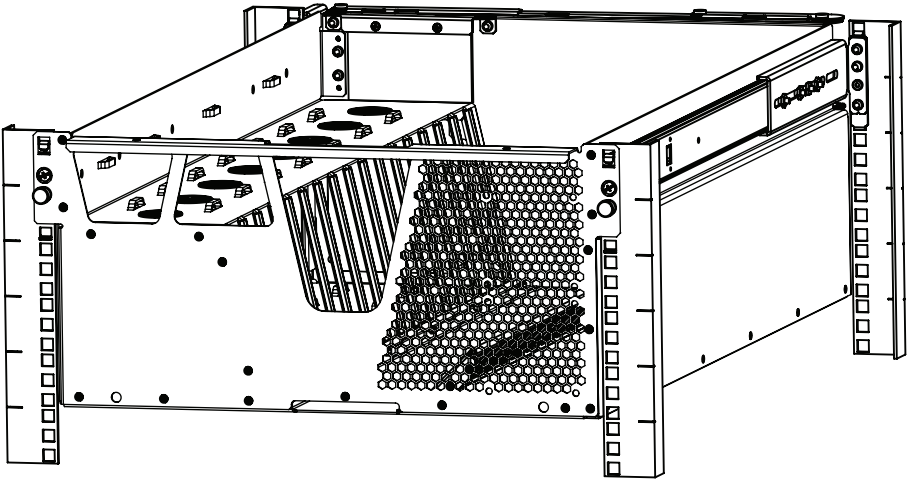


Focus On Quality



Ships Same Day

Hypershelf For MacMini



Installation Instructions

Kit P/N: 115-6875

Kit Contents

Kit Contents:

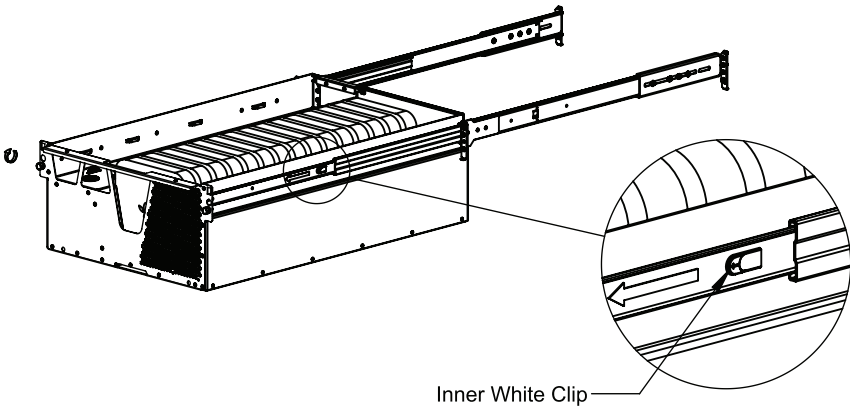
- (1) Hypershelf
- (1) Cable Management Bar

Mounting Hardware:

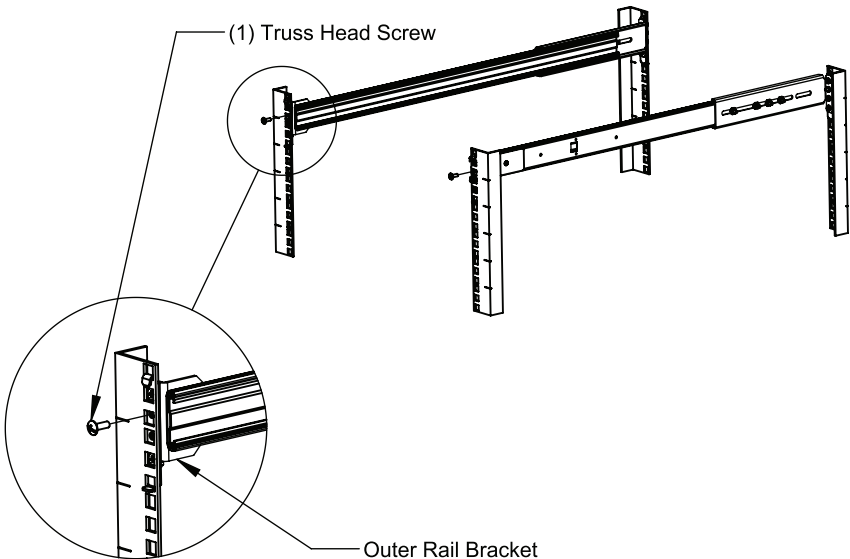
- (6) 8-32 x .500 Truss Head Screw

Installation Instructions

Step 1 Remove the Outer Rails: Remove the outer rails by sliding them back, and pulling the inner white clip.



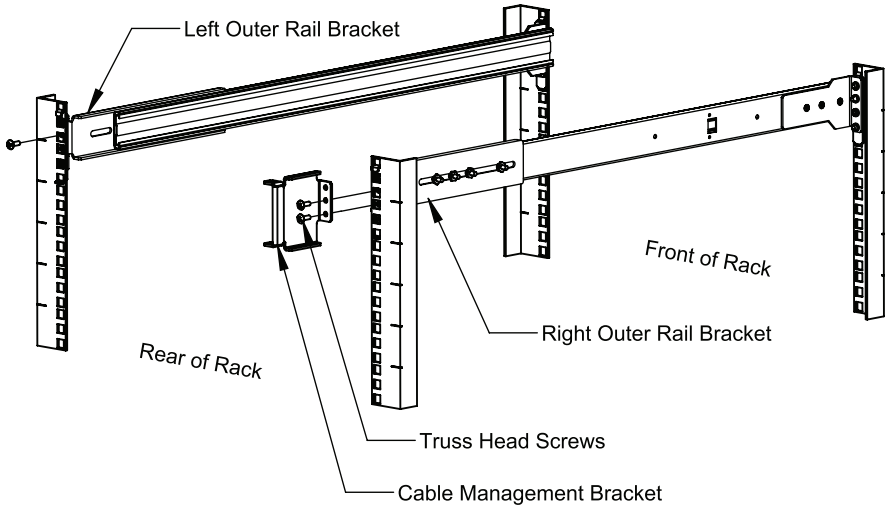
Step 2a Attach Outer Rails: Attach the outer rails to the rack by hooking the top of the Outer Rail Bracket into the top of the "U" space. Secure the rails by installing (1) Truss Head Screw per side into the Outer Rail Bracket.



Installation Instructions

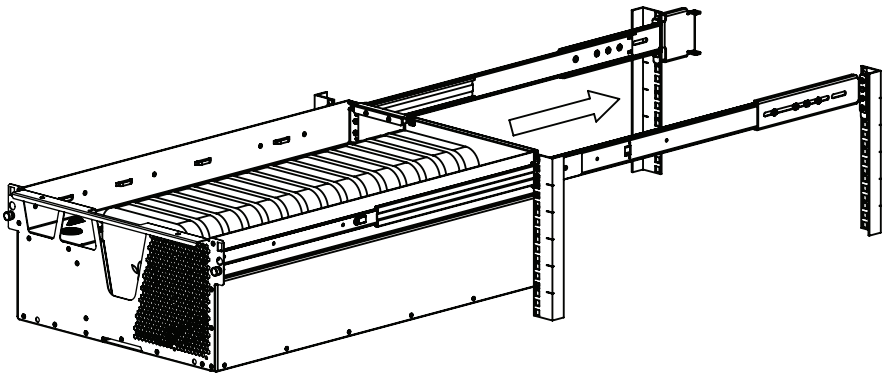
Step 2b

Secure the Rear Outer Rails: Secure the rear of the outer rails by installing (1) Truss Head Screw into the left Outer Rail Bracket, and install (2) Truss Head Screws through the Cable Management Bracket and into the right Outer Rail Bracket.

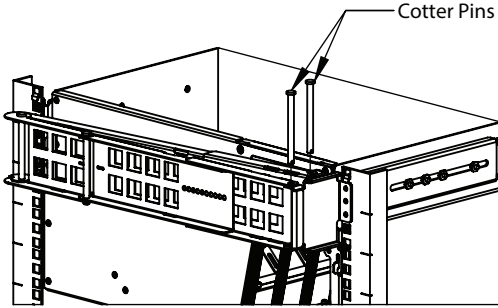


Step 3

Install the HyperShelf: Slide the shelf into the Outer Rails. Pull the blue tab on the inner rail to slide all the way in. Screw in the Thumb Screws to secure in place.

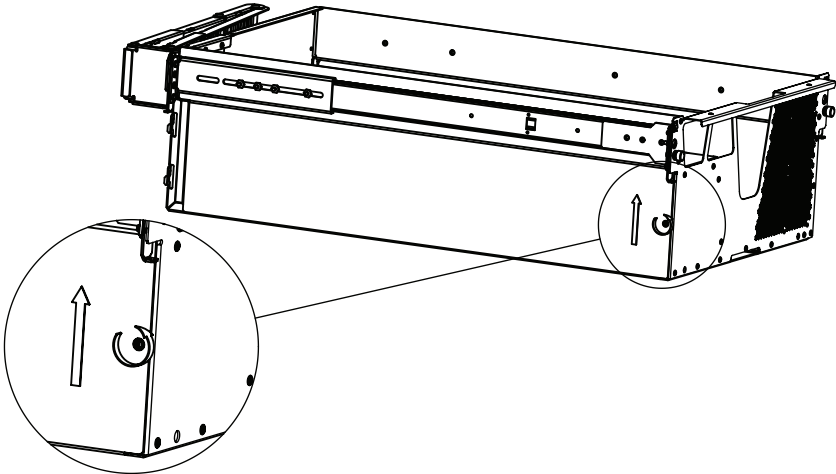


Step 4 Install the Cable Management Arm: Attach the Cable Management Arm to the Hypershelf by putting the Cotter Pins through the Cable Management Brackets attached to the rear of the shelf and to the rear of the rack. For more specific instructions on how to install the Cable Management Arm, see instructions provided in the Cable Management Arm Box.



Side Panel Removal Instructions

Remove Side Panel: Remove the Side Cover Panel by unscrewing the Captive Screw on the side of the shelf, and then pull up on the side panel to disengage the rear hooks.



Warranty Statement

Innovation First, Inc. warrants our products against defects in material and workmanship for a period of one (1) year from the date of purchase. Innovation First, Inc. liability shall be limited to repairing or replacing, at our option, any defective product.