

UC Video Conference Smart Soundbar

The Crestron® [UC-SB1](#) UC Video Conference Smart Soundbar is a front-of-room device that eliminates the need to install additional microphones or speakers in a conference space. It can be placed on a credenza beneath the room display(s) or mounted on a wall.



In the Box

- 1 UC-SB1, UC Video Conference Smart Soundbar

Additional Items

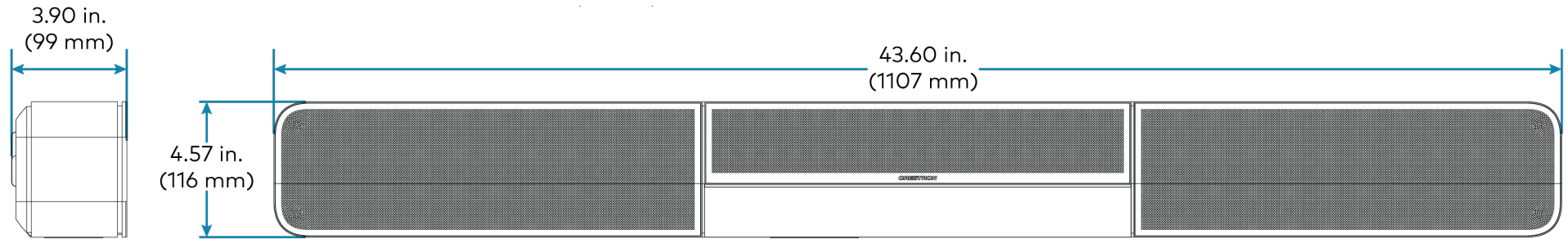
- 4 Anchor, Drywall, Plastic, 3/8 in. x 1/2 in. (2052565)
- 1 Cable, USB 3.0, A - B, 6 ft (1.83 m) (2053077)
- 2 Foot, 2.3 in. x 0.96 in. x 0.15 in., Rubber (2052169)
- 1 Key, Anchor (4529654)
- 1 Power Cord, 5 ft 10 in. (1.78 m) (2042043)
- 1 Power Pack, 24 VDC, 2.5 A, 100-240 VAC (2045873)
- 4 Screw, 8-AB x 1-1/2 in., Pan Head, Combo (2052567)
- 1 Template, Overlay (4529513)

UC Video Conference Smart Soundbar



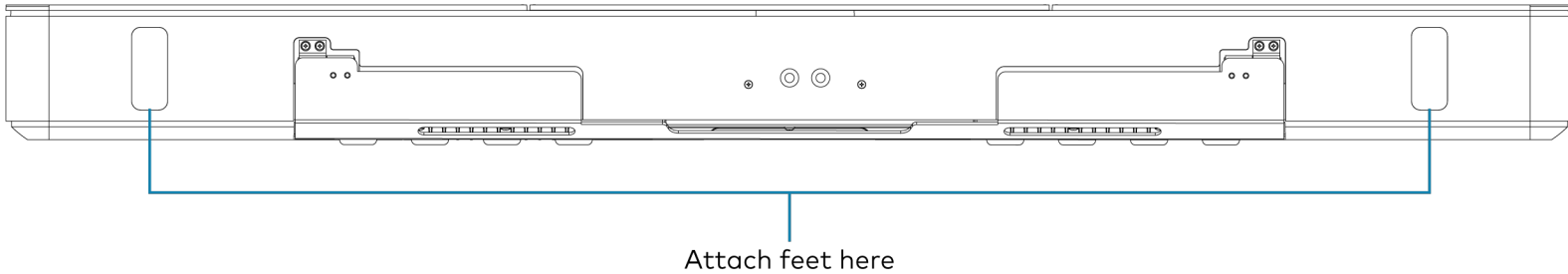
Install

The soundbar can be placed on a flat surface or mounted on a wall. The soundbar has the following dimensions.



Place on a Flat Surface

If the soundbar is to be placed on a flat surface, attach the included rubber feet to the bottom of the soundbar as shown.



UC Video Conference Smart Soundbar

Mount on a Wall

The soundbar includes anchors that are suitable for mounting it on sheetrock walls up to 1/2 in. (13 mm) thickness. Masonry and other materials may require additional installer-supplied mounting hardware.

NOTE: When mounting on a wall beneath a display device, leave 3/4 in. (minimum) clearance above the top of the soundbar. Use the included template to allow for sufficient clearance between the soundbar and display device.

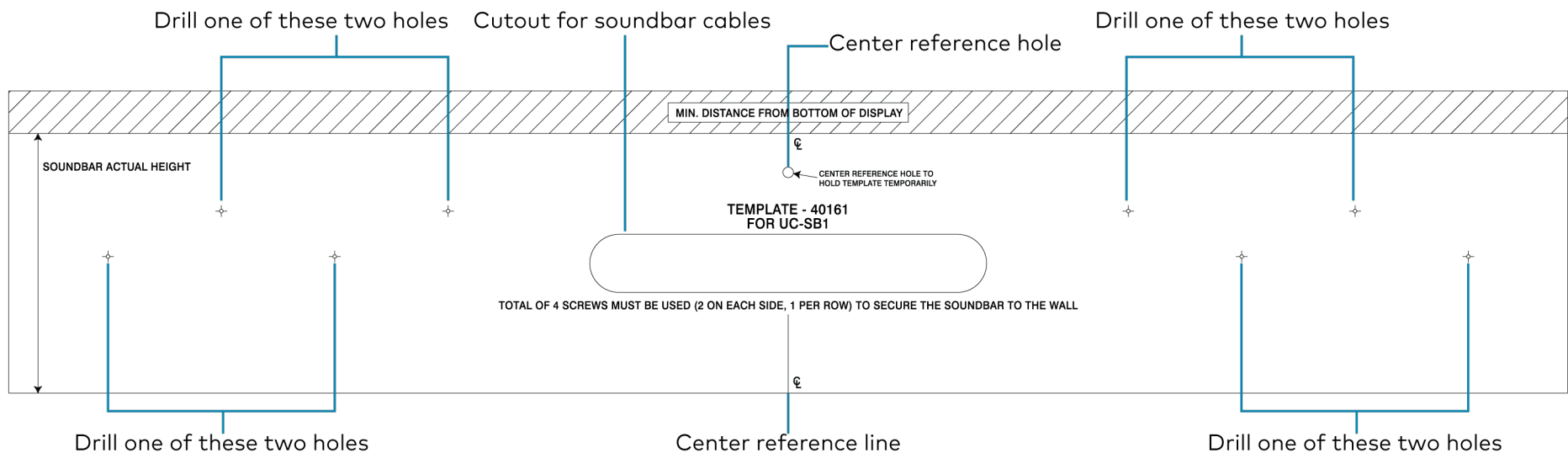
The following tools are required to mount the soundbar:

- Drywall saw (not included)
- Drill with 5/16 in. bit (not included)

A template is included to provide drill hole locations for the included mounting hardware.

1. Attach the template to the desired mounting location with the template's center reference line at the center of the desired location.

NOTE: Use the center reference hole of the template as a guide to attach the template.



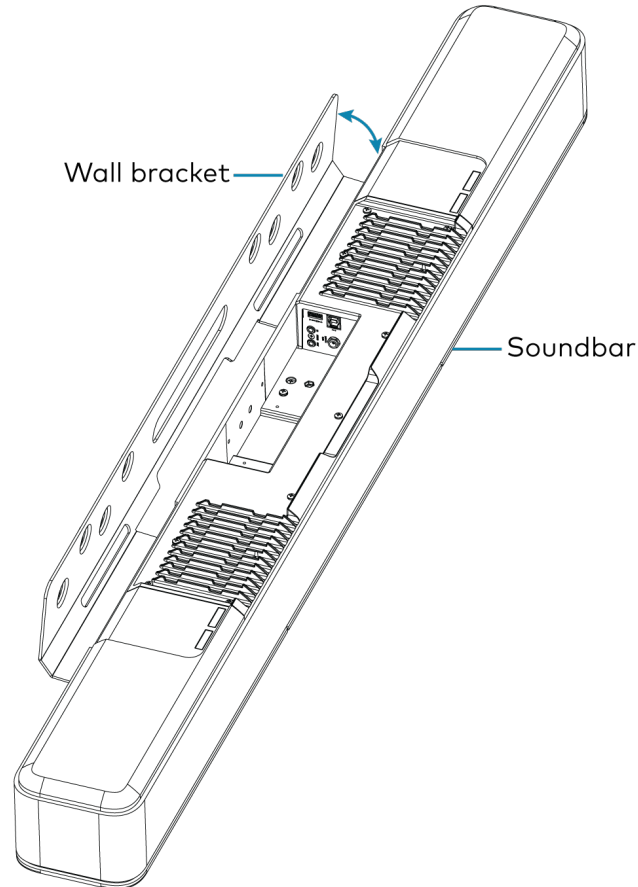
2. Drill two pilot holes on each side of the center reference line as shown in the previous diagram. Each side should have one pilot hole drilled in each row of the template.

UC Video Conference Smart Soundbar

3. Use a drywall saw to make a cutout in the wall for the soundbar cables.

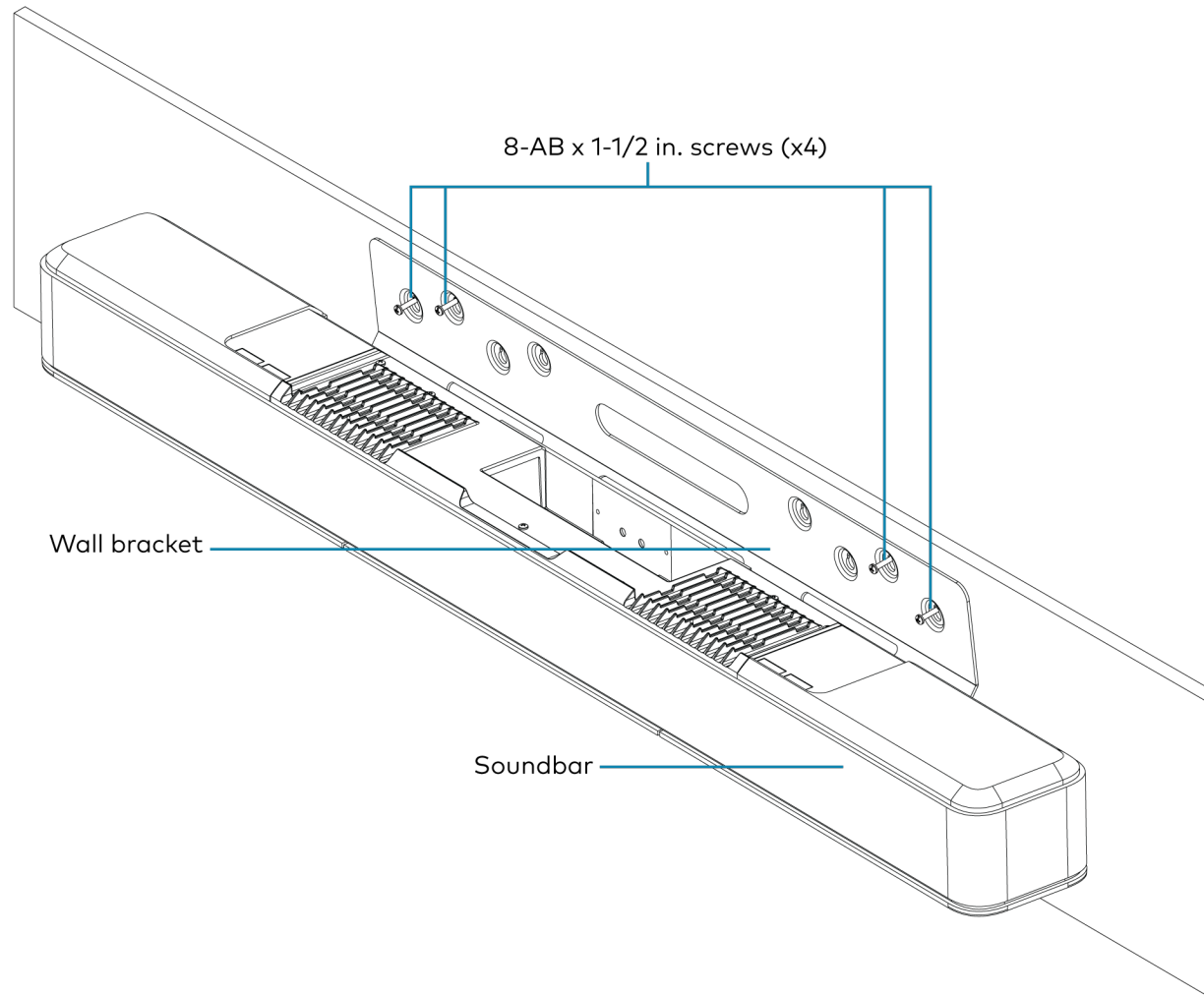
NOTE: The cutout in the center of the template provides adequate access for all of the required cabling.

4. Install the four included anchors and screws into the drilled pilot holes.
5. Place the soundbar face down, and pivot the wall bracket away from the soundbar.



UC Video Conference Smart Soundbar

6. Place the wall bracket over the screws, and hand tighten the screws until the wall bracket is secured to the wall.



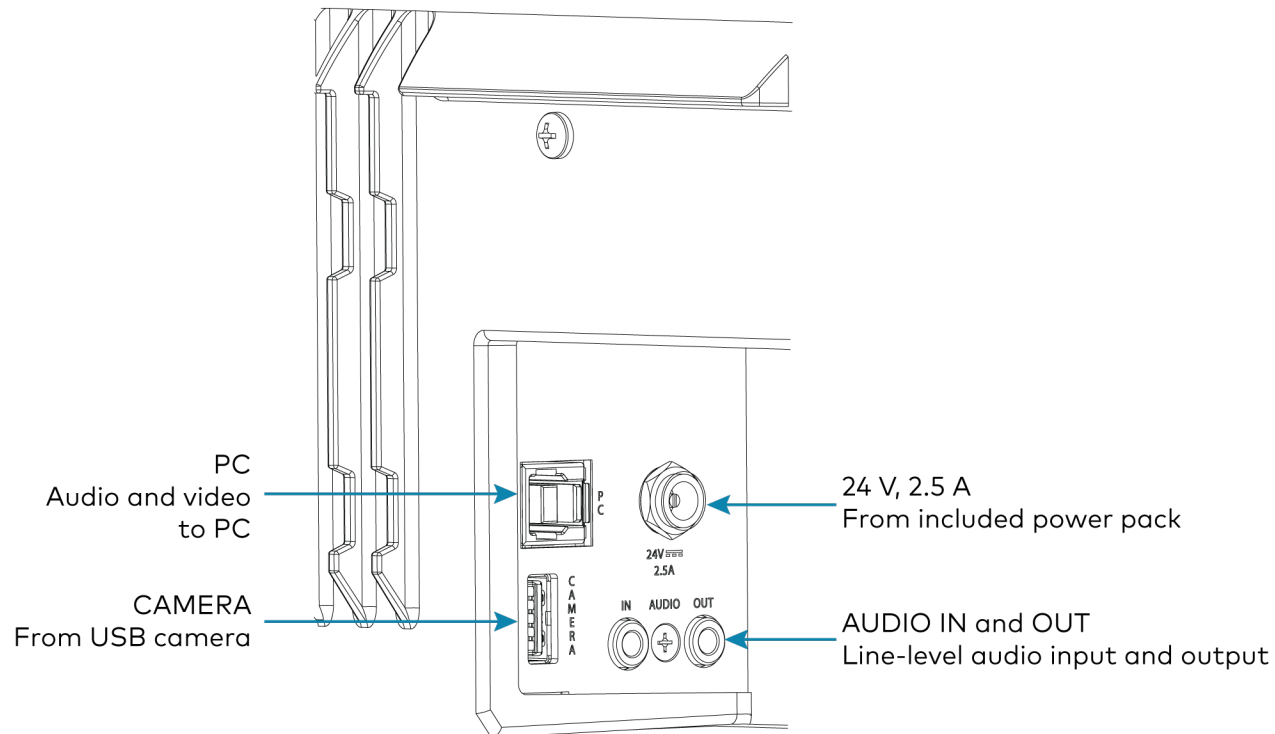
7. Route the cables through the cable cutout, and connect the cables as described in [Connect](#).

NOTE: The included power pack's cord is typically routed from the wall opening, through the cable cutout, to the soundbar.

UC Video Conference Smart Soundbar


Connect

Make the necessary connections as called out in the following diagram. Connect power last.



- **PC:** Connect the included USB cable to the PC port and to a USB port on the computer. For optimal results, use a USB 3.0 connection.
- **CAMERA:** Connect a USB camera (sold separately) to the CAMERA port.
- **24 V, 2.5 A:** Connect the power pack to the 24 V, 2.5 A power input and to an AC power outlet.
- **AUDIO IN and AUDIO OUT:** The soundbar provides unbalanced, stereo, analog input and output jacks (3.5 mm TRS mini-phone). The AUDIO IN port accommodates an optional line-level audio source which feeds to the internal amplifier and speakers without a volume control or other signal processing. The AUDIO OUT port provides a line-level signal for an optional assistive listening system and carries the same audio signal as the soundbar speakers.

UC Video Conference Smart Soundbar



Complete

Once all connections are made, pivot the soundbar up to the wall bracket until the soundbar locks into place.

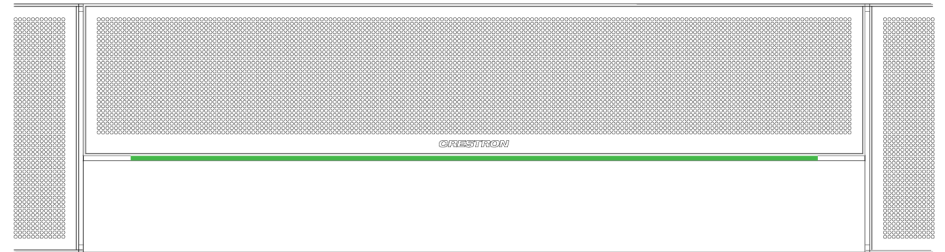


Operation

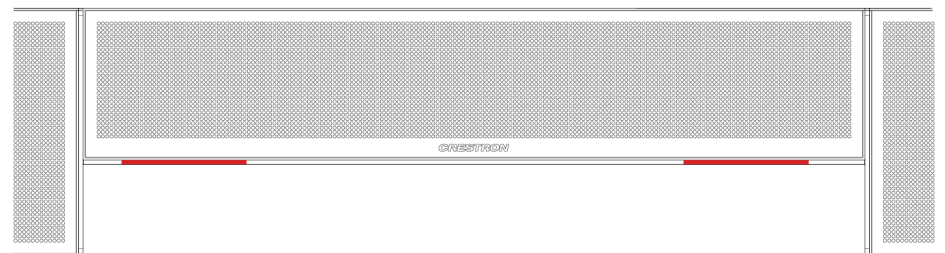
Status

The front panel status bar illuminates to provide operational information.

- A green status bar indicates the volume level. Raising the volume increases the status bar's illumination. Lowering the volume decreases the status bar's illumination. When the volume = "0", the status bar is unlit.

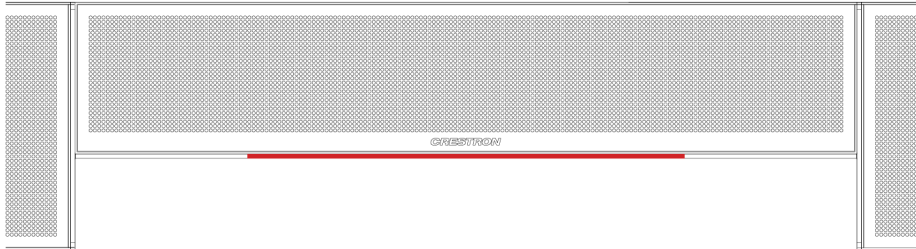


- Muting the microphone and speaker turns the two outer segments of the status bar red.



UC Video Conference Smart Soundbar

- Muting the microphone turns the center of the status bar red.



System Control

The soundbar can be used in a BYOD scenario where the soundbar is connected to an end-user's PC over USB. The soundbar will pass bidirectional (mic and speaker) audio and camera (if a camera is connected) across a single USB connection.



Visit the Product Page

Scan the QR code to visit the product page.

UC-SB1



www.crestron.com/model/6511280

UC Video Conference Smart Soundbar

Additional Information

Regulatory Model: UC-SB

Original Instructions

The U.S. English version of this document is the original instructions.
All other languages are a translation of the original instructions.

Crestron product development software is licensed to Crestron dealers and Crestron Service Providers (CSPs) under a limited nonexclusive, nontransferable Software Development Tools License Agreement. Crestron product operating system software is licensed to Crestron dealers, CSPs, and end-users under a separate End-User License Agreement. Both of these Agreements can be found on the Crestron website at www.crestron.com/legal/software_license_agreement.

The product warranty can be found at www.crestron.com/warranty.

The specific patents that cover Crestron products are listed at www.crestron.com/legal/patents.

Certain Crestron products contain open source software. For specific information, visit www.crestron.com/opensource.

Crestron and the Crestron logo are either trademarks or registered trademarks of Crestron Electronics, Inc. in the United States and/or other countries. Other trademarks, registered trademarks, and trade names may be used in this document to refer to either the entities claiming the marks and names or their products. Crestron disclaims any proprietary interest in the marks and names of others. Crestron is not responsible for errors in typography or photography.

©2020 Crestron Electronics, Inc.

Doc. 8604A

07/30/20