

INSTALLATION INSTRUCTIONS

C-DMM-3019 Flip up Dash Monitor Mount

2021-2024 Chevrolet Tahoe PPV

2021-2024 Chevrolet Fleet Suburban (1FL trim level only)

TOOLS REQUIRED:

- Ratchet Wrench
- Phillips Screwdriver (short)
- Socket Set
- 7/16" Open End Wrench
- Dash panel removal tool
- File (for plastic)
- Wire strippers/cutters

PARTS and MOUNTING HARDWARE:

<u>QTY</u>	<u>DESCRIPTION</u>	<u>PART#</u>
2	Upper dash mounting bracket	23564
2	Lower dash mounting bracket	23563
1	DS DMM frame mounting bracket	24047
1	PS DMM frame mounting bracket	24048
1	VESA swivel adaptor	22607
1	PVC spacer	22608
2	1/4" Nylon washer	13406
2	1/4" Nylock nut	16009
2	1/4" Flat washer	16122
2	1/4" x 3/4" Carriage bolt	16223
8	10-32 x 3/8" Machine screw	16398
8	10-32 Keps nut	16017

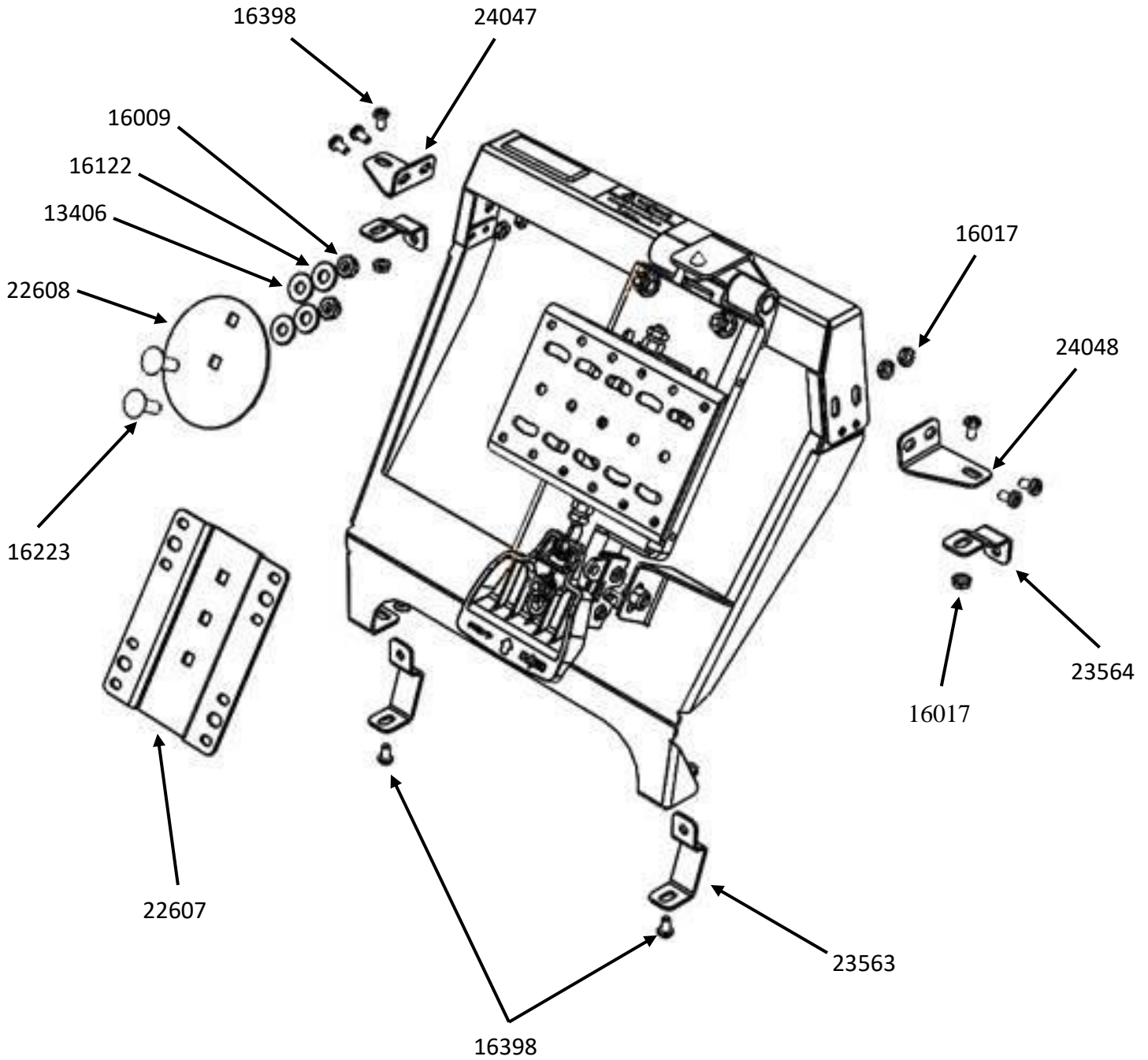
Notes:

1. The C-DMM-3000 swivel plate accepts C-MM-301 offset bracket used with C-MM-2XX adaptors.
2. C-MM-2XX series adaptor brackets are not needed for most VESA 75 and other Havis Docking Station mounting applications.
3. 22607 VESA rotator plate gives additional positioning options, but is not required depending on mounting preference

Always!

- Read all instructions before installing any Havis, Inc. products.
- **Check for obstructions (Wires, brake lines, fuel tank, etc.) before drilling any holes!**
- Use hardware provided with install kit

C-DMM-3019
Assembly

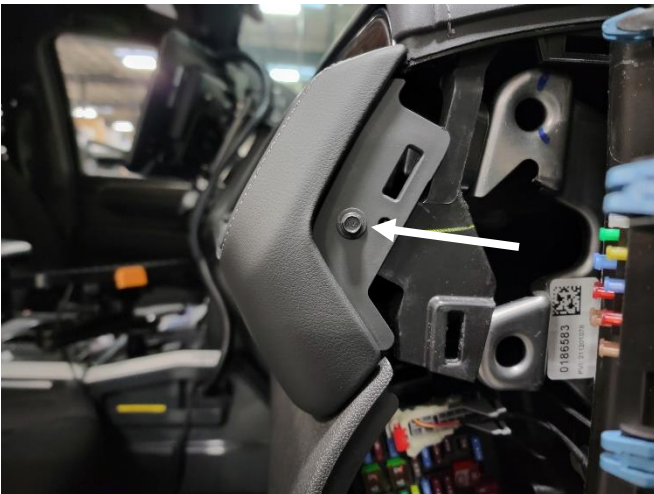




Remove upper dash trim on passenger side by gently prying with a panel removal tool.



Unclip and remove trim above shifter buttons.



Remove side cover next to glovebox.
Remove 7mm head fastener.



Remove all 7mm head fasteners from top of trim. Remove trim from vehicle.



Remove 7mm head fastener found behind previously removed trim.



Attach lower dash mounting bracket as shown using previously removed fasteners.



Reattach previously removed dash trim.



Attach upper dash mounting bracket as shown on driver side using previously removed fastener.



Attach upper dash mounting bracket as shown on passenger side using previously removed fastener.



Snap back in upper driver side dash trim allowing mounting bracket to stick out the top.



Snap upper passenger side dash trim back in allowing mounting bracket to stick out the top.



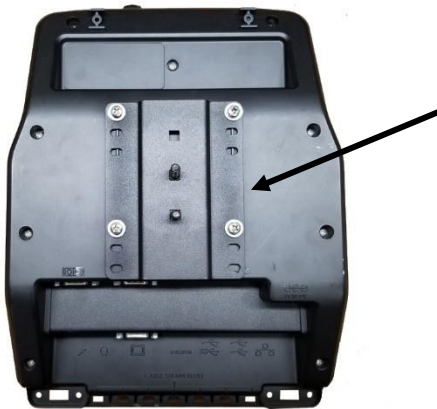
Attach the DMM frame to frame mounting brackets using 10-32 x 3/8" screws and keps nuts.



Place DMM frame on upper dash mounting brackets and attach using 10-32 x 3/8" screws and keps nuts.



Attach to DMM frame to lower dash mounting brackets using 10-32 x 3/8" screws and keps nuts.



Position VESA plate on back of Device as desired. Attach VESA plate with carriage bolts to the back of the dock with screws and washers included with dock. The gray PVC washer will go between this bracket and the DMM swivel plate.



Determine desired position for your specific computer and attach to DMM swivel plate using 1/4"x 3/4" carriage bolts, PVC spacer, nylon washers, steel washers, and nylock nuts. Tighten so that the dock rotates smoothly.



Route wiring as needed.



Installation is now complete.