



Commercial Chromebox 4

User Manual



E17503
First Edition
January 2021

COPYRIGHT INFORMATION

No part of this manual, including the products and software described in it, may be reproduced, transmitted, transcribed, stored in a retrieval system, or translated into any language in any form or by any means, except documentation kept by the purchaser for backup purposes, without the express written permission of ASUSTeK COMPUTER INC. ("ASUS").

ASUS PROVIDES THIS MANUAL "AS IS" WITHOUT WARRANTY OF ANY KIND, EITHER EXPRESS OR IMPLIED, INCLUDING BUT NOT LIMITED TO THE IMPLIED WARRANTIES OR CONDITIONS OF MERCHANTABILITY OR FITNESS FOR A PARTICULAR PURPOSE. IN NO EVENT SHALL ASUS, ITS DIRECTORS, OFFICERS, EMPLOYEES OR AGENTS BE LIABLE FOR ANY INDIRECT, SPECIAL, INCIDENTAL, OR CONSEQUENTIAL DAMAGES (INCLUDING DAMAGES FOR LOSS OF PROFITS, LOSS OF BUSINESS, LOSS OF USE OR DATA, INTERRUPTION OF BUSINESS AND THE LIKE), EVEN IF ASUS HAS BEEN ADVISED OF THE POSSIBILITY OF SUCH DAMAGES ARISING FROM ANY DEFECT OR ERROR IN THIS MANUAL OR PRODUCT.

Products and corporate names appearing in this manual may or may not be registered trademarks or copyrights of their respective companies, and are used only for identification or explanation and to the owners' benefit, without intent to infringe.

SPECIFICATIONS AND INFORMATION CONTAINED IN THIS MANUAL ARE FURNISHED FOR INFORMATIONAL USE ONLY, AND ARE SUBJECT TO CHANGE AT ANY TIME WITHOUT NOTICE, AND SHOULD NOT BE CONSTRUED AS A COMMITMENT BY ASUS. ASUS ASSUMES NO RESPONSIBILITY OR LIABILITY FOR ANY ERRORS OR INACCURACIES THAT MAY APPEAR IN THIS MANUAL, INCLUDING THE PRODUCTS AND SOFTWARE DESCRIBED IN IT.

Copyright © 2021 ASUSTeK COMPUTER INC. All Rights Reserved.

LIMITATION OF LIABILITY

Circumstances may arise where because of a default on ASUS' part or other liability, you are entitled to recover damages from ASUS. In each such instance, regardless of the basis on which you are entitled to claim damages from ASUS, ASUS is liable for no more than damages for bodily injury (including death) and damage to real property and tangible personal property; or any other actual and direct damages resulted from omission or failure of performing legal duties under this Warranty Statement, up to the listed contract price of each product.

ASUS will only be responsible for or indemnify you for loss, damages or claims based in contract, tort or infringement under this Warranty Statement.

This limit also applies to ASUS' suppliers and its reseller. It is the maximum for which ASUS, its suppliers, and your reseller are collectively responsible.

UNDER NO CIRCUMSTANCES IS ASUS LIABLE FOR ANY OF THE FOLLOWING: (1) THIRD-PARTY CLAIMS AGAINST YOU FOR DAMAGES; (2) LOSS OF, OR DAMAGE TO, YOUR RECORDS OR DATA; OR (3) SPECIAL, INCIDENTAL, OR INDIRECT DAMAGES OR FOR ANY ECONOMIC CONSEQUENTIAL DAMAGES (INCLUDING LOST PROFITS OR SAVINGS), EVEN IF ASUS, ITS SUPPLIERS OR YOUR RESELLER IS INFORMED OF THEIR POSSIBILITY.

SERVICE AND SUPPORT

Visit our multi-language web site at <https://www.asus.com/support/>

Contents

About this manual.....	4
Conventions used in this manual.....	5
Typography.....	5
Package contents	6

Getting to know your Commercial Chromebox

Features.....	10
Front view	10
Rear view.....	12

Using your Commercial Chromebox

Getting started	18
Connect the AC power adapter to your Commercial Chromebox.....	18
Connect a display panel to your device.....	20
Connect the USB cable from keyboard or mouse.....	22
Turn on your Commercial Chromebox.....	23

Appendix

Safety information.....	28
Setting up your system	28
Care during use.....	28
Regulatory notices	30
ASUS contact information.....	36

About this manual

This manual provides information about the hardware and software features of your Commercial Chromebox, organized through the following chapters:

Chapter 1: Getting to know your Commercial Chromebox

This chapter details the hardware components of your Commercial Chromebox.

Chapter 2: Using your Commercial Chromebox

This chapter provides you with information on using your Commercial Chromebox.

Appendix

This section includes notices and safety statements your Commercial Chromebox.

Conventions used in this manual

To highlight key information in this manual, some text are presented as follows:

IMPORTANT! This message contains vital information that must be followed to complete a task.

NOTE: This message contains additional information and tips that can help complete tasks.

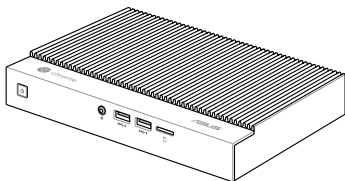
WARNING! This message contains important information that must be followed to keep you safe while performing certain tasks and prevent damage to your Commercial Chromebox's data and components.

Typography

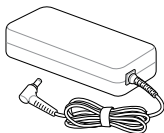
- | | |
|------------------|---|
| Bold text | Indicates a menu or an item to select. |
| <i>Italic</i> | This indicates sections that you can refer to in this manual. |

Package contents

Your Commercial Chromebox package contains the following items:



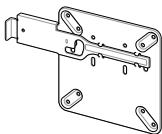
ASUS Commercial Chromebox 4



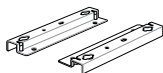
AC power adapter*



Power cord*



VESA mounting plate



Wall mount



VESA mounting plate screw set



Technical documents

NOTE:

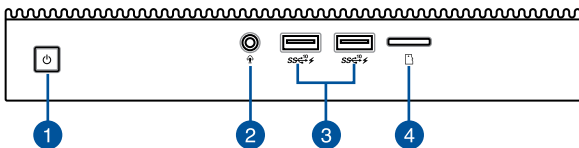
- *The bundled power adapter may vary by model and territories.
 - Some bundled accessories may vary with different models. For details on these accessories, refer to their respective user manuals.
 - The device illustration is for reference only. Actual product specifications may vary with models.
 - If the device or its components fail or malfunction during normal and proper use within the warranty period, bring the warranty card to the ASUS Service Center for replacement of the defective components.
-

1

***Getting to know your
Commercial Chromebox***

Features

Front view



1



Power button

The power button allows you to turn the Chromebox on or off. You can use the power button to put your Chromebox to sleep mode or press it for four (4) seconds to force shutdown your Chromebox.

2



Headphone/Headset/Microphone jack

This port allows you to connect amplified speakers or headphones. You can also use this port to connect your headset or an external microphone.

3

NOTE: This port may vary per model.



USB 3.2 Gen 2 port (on selected models)

The USB 3.2 Gen 2 (Universal Serial Bus) port provides a transfer rate up to 10 Gbit/s. These ports also support the Battery Charging 1.2 technology that allows you to charge your USB devices.



USB 3.2 Gen 1 port (on selected models)

The USB 3.2 Gen 1 (Universal Serial Bus) port provides a transfer rate up to 5 Gbit/s. These ports also support the Battery Charging 1.2 technology that allows you to charge your USB devices.

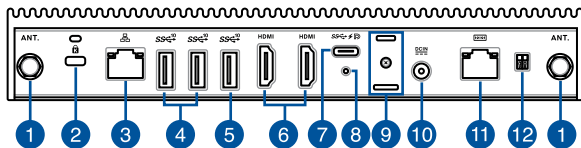
4



Memory card slot

The built-in memory card reader enables your Chromebox to read and write data to and from Micro SD cards.

Rear view



1

Antenna connector

The antenna connector allows you to connect a wireless antenna to enhance wireless signal reception.

2



Kensington security slot

The Kensington security slot allows you to secure your Chromebox using Kensington® security products.

3



LAN port

The 8-pin RJ-45 LAN port supports a standard Ethernet cable for connection to a local network.

4

NOTE: This port may vary per model.



USB 3.2 Gen 2 port (on selected models)

The USB 3.2 Gen 2 (Universal Serial Bus) port provides a transfer rate up to 10 Gbit/s.



USB 2.0 port (on selected models)

The USB (Universal Serial Bus) port is compatible with USB 2.0 or USB 1.1 devices such as keyboards, pointing devices, flash disk drives, external HDDs, speakers, cameras and printers.

5

NOTE: This port may vary per model.



USB 3.2 Gen 2 port (on selected models)

The USB 3.2 Gen 2 (Universal Serial Bus) port provides a transfer rate up to 10 Gbit/s.



USB 3.2 Gen 1 port (on selected models)

The USB 3.2 Gen 1 (Universal Serial Bus) port provides a transfer rate up to 5 Gbit/s.

6

HDMI HDMI™ port

This port is for the HDMI™™ (High-Definition Multimedia Interface) connector and is HDCP compliant for HD DVD, Blu-ray, and other protected content playback.

7



USB 3.2 Gen 1 Type-C®/DisplayPort combo port

This USB Type-C® (Universal Serial Bus) port provides the following:

- Transfer rate of up to 5 Gbit/s.
- Supports Display port 1.2 (3840 x 2160) at 60Hz with 24-bit color. Use a USB Type-C® adapter to connect your Commercial Chromebox to an external display.
- USB power delivery with a maximum of 5V / 3A output.
- Supports power (DC) input when connected to an external device which is PD (Power Delivery) compliant and a 20V / 5A output.

CAUTION!

- To reduce potential safety issues, only the AC adapter provided with the product, a replacement AC adapter provided by agency, or an AC adapter purchased as an accessory from agency should be used with the product.
 - When using the USB 3.2 Gen 1 Type-C® port as a power (DC) input port, ensure to remove the cable from the Power input port.
 - Ensure to power off your device when switching between the USB 3.2 Gen 1 Type-C® port and Power input port.
-

8

Recovery button hole

This recovery button hole allows you to reset your Commercial Chromebox to factory settings. Insert a pin or paperclip into this hole, then press and hold the recovery button for at least three (3) seconds to reset your Chromebox to factory settings.

9

Cable organizer slot

This slot allows you to attach the cable organizer.

10

DCIN
==**Power input**

The supplied power adapter converts AC power to DC power for use with this jack. Power supplied through this jack supplies power to the Commercial Chromebox. To prevent damage to the Commercial Chromebox, always use the supplied power adapter.

WARNING! The power adapter may become warm to hot when in use. Do not cover the adapter and keep it away from your body.

11

□□□□**Serial port (COM/RJ-50)**

This serial port supports RS-232 serial port standards, and can also support RJ-50 interfaces.

12

Extended power switch

The extended power switch allows you to connect an extended power switch and turn the Commercial Chromebox on or off from a distance.

2

***Using your Commercial
Chromebox***

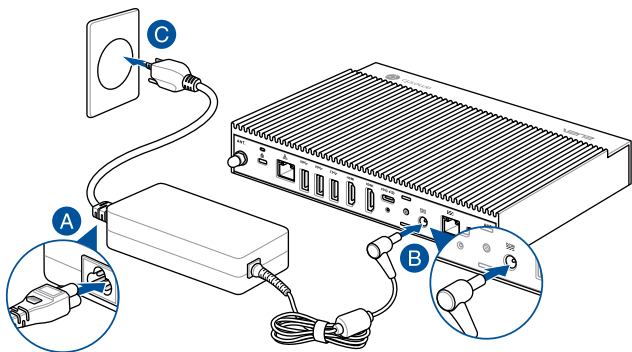
Getting started

Connect the AC power adapter to your Commercial Chromebox

To connect the AC power adapter to your Commercial Chromebox:

- A. Connect the power cord to the AC power adapter.
- B. Connect the DC power connector into your Commercial Chromebox's power (DC) input.
- C. Plug the AC power adapter into a 100V~240V power source.

NOTE: The power adapter may vary in appearance, depending on models and your region.



IMPORTANT!

- We strongly recommend that you use only the AC power adapter and cable that came with your Commercial Chromebox.
 - We strongly recommend that you use a grounded wall socket while using your Commercial Chromebox.
 - The socket outlet must be easily accessible and near your Commercial Chromebox.
 - To disconnect your Commercial Chromebox from its main power supply, unplug your Commercial Chromebox from the power socket.
-

NOTE:

The power adapter may vary between models and territories, please refer to the following for more information on the different adapters:

65W Power adapter

- Input voltage: 100-240 Vac
- Input frequency: 50-60 Hz
- Rating output current: 3.42A / 3.33A (65.0 W)
- Rating output voltage: 19.0V / 19.5V

90W Power adapter

- Input voltage: 100-240 Vac
 - Input frequency: 50-60 Hz
 - Rating output current: 4.62A (90.0 W)
 - Rating output voltage: 19.5V
-

Connect a display panel to your device

You can connect a display panel or projector to your device that has the following connectors:

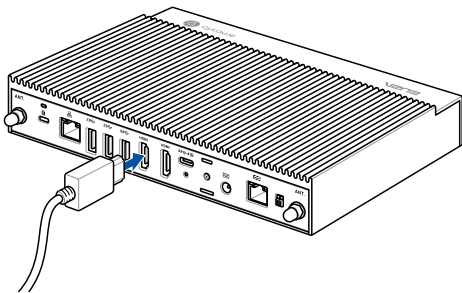
- HDMI™ connector
- USB Type-C®/DisplayPort connector

NOTE: These ports may vary per model.

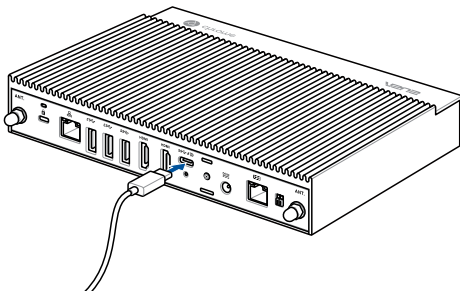
To connect a display panel to your Commercial Chromebox:

Connect one end of a HDMI™ or USB Type-C® cable to an external display, and the other end of the cable to your Commercial Chromebox's HDMI™ port or USB 3.2 Gen 1 Type-C®/DisplayPort combo port.

Connect display via HDMI™ port



Connect display via USB 3.2 Gen 1 Type-C®/DisplayPort combo port



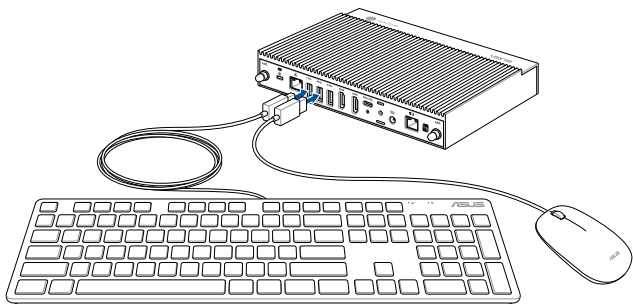
Connect the USB cable from keyboard or mouse

You can connect generally any USB keyboard and mouse to your Commercial Chromebox. You can also connect a USB dongle for a wireless keyboard and mouse set.

To connect a keyboard and mouse to your Commercial Chromebox:

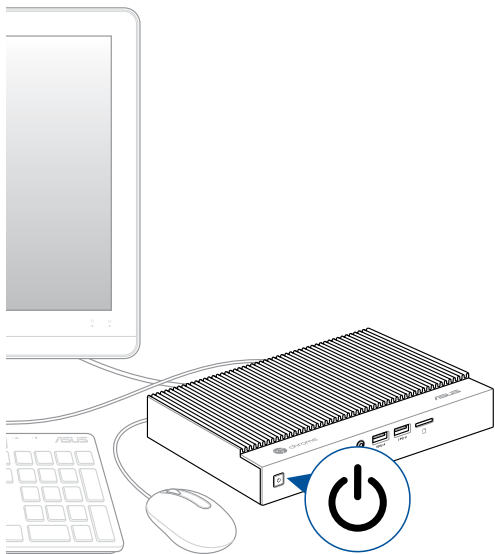
Connect the USB cable from your keyboard and mouse to any of the USB ports of your Commercial Chromebox.

NOTE: The keyboard varies with country or region.



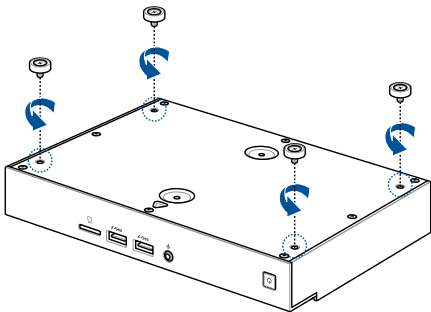
Turn on your Commercial Chromebox

Press the power button to turn on your Commercial Chromebox.



(optional) Installing the wall mount to your device

1. Turn off your Commercial Chromebox then disconnect all cables and peripherals.
2. Place the Commercial Chromebox on a flat surface, with its top side facing down.
3. Remove the four (4) screws and rubber feet from the bottom of the device.

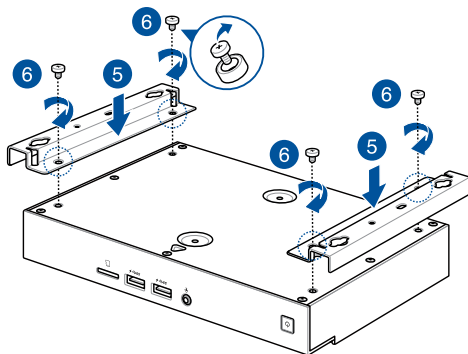


4. Prepare your wall mounts.

5. Place the wall mount on the bottom of your Commercial Chromebox, making sure the screw holes are all aligned.
 6. Secure the wall mount using the four (4) screws you removed earlier.
-



Ensure to remove the rubber feet from the screws before using them to secure the wall mount.





Appendix

Safety information

Your Commercial Chromebox is designed and tested to meet the latest standards of safety for information technology equipment. However, to ensure your safety, it is important that you read the following safety instructions.

Setting up your system

- Read and follow all instructions in the documentation before you operate your system.
- Do not use this product near water or a heated source.
- Set up the system on a stable surface.
- Openings on the chassis are for ventilation. Do not block or cover these openings. Make sure you leave plenty of space around the system for ventilation. Never insert objects of any kind into the ventilation openings.
- Use this product in environments with ambient temperatures between 0°C and 35°C.
- If you use an extension cord, make sure that the total ampere rating of the devices plugged into the extension cord does not exceed its ampere rating.
- This product should be connected by means of a power cord to a socket-outlet with earthing connection.
- This equipment should be installed and operated with a minimum distance of 20cm between the radiator and your body.

Care during use

- Do not walk on the power cord or allow anything to rest on it.
- Do not spill water or any other liquids on your system.
- When the system is turned off, a small amount of electrical current still flows. Always unplug the power cord from the power outlets before cleaning the system.

- If you encounter the following technical problems with the product, unplug the power cord and contact a qualified service technician or your retailer.
 - The power cord or plug is damaged.
 - Liquid has been spilled into the system.
 - The system does not function properly even if you follow the operating instructions.
 - The system was dropped or the cabinet is damaged.
 - The system performance changes.
- Avoid contact with hot components inside the device. During operation, some components become hot enough to burn the skin. Before you open the device cover, turn off the device, disconnect the power, and wait approximately 30 minutes for the components to cool.
- Disposal of a battery into fire or a hot oven, or mechanically crushing or cutting of a battery, that can result in an explosion;
- Leaving a battery in an extremely high temperature surrounding environment that can result in an explosion or the leakage of flammable liquid or gas;
- A battery subjected to extremely low air pressure that may result in an explosion or the leakage of flammable liquid or gas.

Lithium-Metal Battery Warning

CAUTION: Danger of explosion if battery is incorrectly replaced. Replace only with the same or equivalent type recommended by the manufacturer. Dispose of used batteries according to the manufacturer's instructions.

NO DISASSEMBLY

The warranty does not apply to the products that have been disassembled by users

Regulatory notices

COATING NOTICE

IMPORTANT! To provide electrical insulation and maintain electrical safety, a coating is applied to insulate the device except on the areas where the I/O ports are located.

Federal Communications Commission Statement

This device complies with Part 15 of the FCC Rules. Operation is subject to the following two conditions:

- This device may not cause harmful interference, and
- This device must accept any interference received including interference that may cause undesired operation.

This equipment has been tested and found to comply with the limits for a Class B digital device, pursuant to Part 15 of the FCC Rules. These limits are designed to provide reasonable protection against harmful interference in a residential installation.

This equipment generates, uses and can radiate radio frequency energy and, if not installed and used in accordance with manufacturer's instructions, may cause harmful interference to radio communications. However, there is no guarantee that interference will not occur in a particular installation. If this equipment does cause harmful interference to radio or television reception, which can be determined by turning the equipment off and on, the user is encouraged to try to correct the interference by one or more of the following measures:

- Reorient or relocate the receiving antenna.
- Increase the separation between the equipment and receiver.
- Connect the equipment to an outlet on a circuit different from that to which the receiver is connected.
- Consult the dealer or an experienced radio/TV technician for help.

IMPORTANT! Outdoor operations in the 5.15~5.25 GHz band is prohibited. This device has no Ad-hoc capability for 5250~5350 and 5470~5725 MHz.

CAUTION! Any changes or modifications not expressly approved by the grantee of this device could void the user's authority to operate the equipment.

RF exposure warning

This equipment must be installed and operated in accordance with provided instructions and the antenna(s) used for this transmitter must be installed to provide a separation distance of at least 20 cm from all persons and must not be co-located or operating in conjunction with any other antenna or transmitter. End-users and installers must be provide with antenna installation instructions and transmitter operating conditions for satisfying RF exposure compliance.

ISED Radiation Exposure Statement for Canada

This equipment complies with ISED radiation exposure limits set forth for an uncontrolled environment. To maintain compliance with ISED RF exposure compliance requirements, please avoid direct contact to the transmitting antenna during transmitting. End users must follow the specific operating instructions for satisfying RF exposure compliance.

Operation is subject to the following two conditions:

- This device may not cause interference and
- This device must accept any interference, including interference that may cause undesired operation of the device.

Compliance Statement of Innovation, Science and Economic Development Canada (ISED)

This device complies with Innovation, Science and Economic Development Canada licence exempt RSS standard(s). Operation is subject to the following two conditions: (1) this device may not cause interference, and (2) this device must accept any interference, including interference that may cause undesired operation of the device.

CAN ICES-3(B)/NMB-3(B)

Déclaration de conformité de Innovation, Sciences et Développement économique Canada (ISED)

Le présent appareil est conforme aux CNR d'Innovation, Sciences et Développement économique Canada applicables aux appareils radio exempts de licence. L'exploitation est autorisée aux deux conditions suivantes : (1) l'appareil ne doit pas produire de brouillage, et (2) l'utilisateur de l'appareil doit accepter tout brouillage radioélectrique subi, même si le brouillage est susceptible d'en compromettre le fonctionnement.

CAN ICES-3(B)/NMB-3(B)

Wireless Operation Channel for Different Domains

N. America	2.412-2.462 GHz	Ch01 through CH11
Japan	2.412-2.484 GHz	Ch01 through Ch14
Europe ETSI	2.412-2.472 GHz	Ch01 through Ch13

Regional notice for California



WARNING

Cancer and Reproductive Harm -
www.P65Warnings.ca.gov

Declaration of compliance for product environmental regulation

ASUS follows the green design concept to design and manufacture our products, and makes sure that each stage of the product life cycle of ASUS product is in line with global environmental regulations. In addition, ASUS disclose the relevant information based on regulation requirements.

Please refer to <http://csr.asus.com/Compliance.htm> for information disclosure based on regulation requirements ASUS is complied with:

EU REACH and Article 33

Complying with the REACH (Registration, Evaluation, Authorization, and Restriction of Chemicals) regulatory framework, we publish the chemical substances in our products at ASUS REACH website at

<http://csr.asus.com/english/REACH.htm>

EU RoHS

This product complies with the EU RoHS Directive. For more details, see <http://csr.asus.com/english/article.aspx?id=35>

Japan JIS-C-0950 Material Declarations

Information on Japan RoHS (JIS-C-0950) chemical disclosures is available on <http://csr.asus.com/english/article.aspx?id=19>

India RoHS

This product complies with the “India E-Waste (Management) Rules, 2016” and prohibits use of lead, mercury, hexavalent chromium, polybrominated biphenyls (PBBs) and polybrominated diphenyl ethers (PBDEs) in concentrations exceeding 0.1% by weight in homogenous materials and 0.01% by weight in homogenous materials for cadmium, except for the exemptions listed in Schedule II of the Rule.

Vietnam RoHS

ASUS products sold in Vietnam, on or after September 23, 2011, meet the requirements of the Vietnam Circular 30/2011/TT-BCT.

Các sản phẩm ASUS bán tại Việt Nam, vào ngày 23 tháng 9 năm 2011 trở về sau, đều phải đáp ứng các yêu cầu của Thông tư 30/2011/TT-BCT của Việt Nam.

Turkey RoHS

AEEE Yönetmeliğine Uygundur

ASUS Recycling/Takeback Services

ASUS recycling and takeback programs come from our commitment to the highest standards for protecting our environment. We believe in providing solutions for you to be able to responsibly recycle our products, batteries, other components as well as the packaging materials. Please go to <http://csr.asus.com/english/Takeback.htm> for detailed recycling information in different regions.

Ecodesign Directive

European Union announced a framework for the setting of ecodesign requirements for energy-related products (2009/125/EC). Specific Implementing Measures are aimed at improving environmental performance of specific products or across multiple product types. ASUS provides product information on the CSR website. The further information could be found at <https://csr.asus.com/english/article.aspx?id=1555>.



DO NOT throw the device in municipal waste. This product has been designed to enable proper reuse of parts and recycling. This symbol of the crossed out wheeled bin indicates that the product (electrical, electronic equipment, and mercury-containing button cell battery) should not be placed in municipal waste. Check local technical support services for product recycling.

ENERGY STAR complied product

ENERGY STAR is a joint program of the U.S. Environmental Protection Agency and the U.S. Department of Energy helping us all save money and protect the environment through energy efficient products and practices.



All ASUS products with the ENERGY STAR logo comply with the ENERGY STAR standard, and the power management feature is enabled by default. The monitor and computer are automatically set to sleep within 10 and 30 minutes of user inactivity. To wake your computer, click the mouse or press any key on the keyboard.

Please visit <http://www.energystar.gov/powermanagement> for detail information on power management and its benefits to the environment. In addition, please visit <http://www.energystar.gov> for detail information on the ENERGY STAR joint program.

NOTE: Energy Star is NOT supported on FreeDOS and Linux-based products.

EPEAT (Electronic Product Environmental Assessment Tool) registered products

The public disclosure of key environmental information for ASUS EPEAT registered products is available on CSR web site <http://csr.asus.com/english/article.aspx?id=41>. More information about EPEAT program and purchaser guidance can be found on the EPEAT website www.epeat.net.

ASUS contact information

ASUSTeK COMPUTER INC.

Address	1F., No. 15, Lide Rd., Beitou Dist., Taipei City 112, Taiwan
Telephone	+886-2-2894-3447
Fax	+886-2-2890-7798
Web site	www.asus.com

Technical Support

Telephone	+86-21-38429911
Fax	+86-21-5866-8722, ext. 9101#
Online support	https://www.asus.com/support/Product/ContactUs/Services/questionform/?lang=en

ASUS COMPUTER INTERNATIONAL (America)

Address	48720 Kato Rd., Fremont, CA 94538, USA
Telephone	+1-510-739-3777
Fax	+1-510-608-4555
Web site	http://www.asus.com/us/

Technical Support

Support fax	+1-812-284-0883
Telephone	+1-812-282-2787
Online support	https://www.asus.com/support/Product/ContactUs/Services/questionform/?lang=en-us

ASUS COMPUTER GmbH (Germany and Austria)

Address	Harkortstrasse 21-23, 40880 Ratingen, Germany
Web site	https://www.asus.com/de
Online contact	https://www.asus.com/support/Product/ContactUs/Services/questionform/?lang=de-de

Technical Support

Telephone (DE)	+49-2102-5789557
Telephone (AT)	+43-1360-2775461
Online support	https://www.asus.com/de/support

Call center:	https://www.asus.com/support/CallUs
---------------------	---

Manufacturer	ASUSTeK Computer Inc.	
	Tel:	+886-2-2894-3447
	Address:	1F., No. 15, Lide Rd., Beitou Dist., Taipei City 112, Taiwan
Authorised representative in Europe	ASUSTeK Computer GmbH	
	Address:	Harkortstrasse 21-23, 40880 Ratingen, Germany

