



# 2-Port HDMI 2.0 Dual-Head Console KVM Switch with USB 2.0

## User Manual



04-1321A

P/N: CE-KV0911-S1

## Features

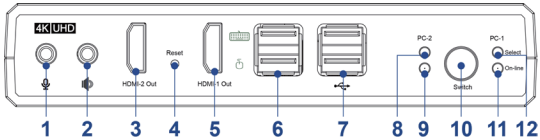
- Allows you to control two computers via a single console with USB Keyboard, Mouse, Hub, Mic, Speaker, and Dual 4K display.
- Support HDMI2.0, 3840x2460@60 and HDCP 2.2
- Switch by push button and keyboard hotkey
- USB 2.0 hub for keyboard/mouse and peripherals
- 3.5mm jack for Microphone and Stereo Audio
- Supports screen auto-scan between each display
- LED status indication
- Support Windows and Mac systems
- Plug-n-play, no driver installation

## Package Contents

- 2-Port HDMI 2.0 Dual-Head Console KVM Switch with USB 2.0
- Power Adapter 5V/2A
- HDMI cable x 2
- DisplayPort Cable x 2
- USB 2.0 cable x 2
- Audio and Microphone cable x 2
- User manual

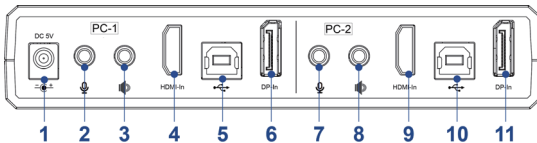
# Layout

## Front Panel



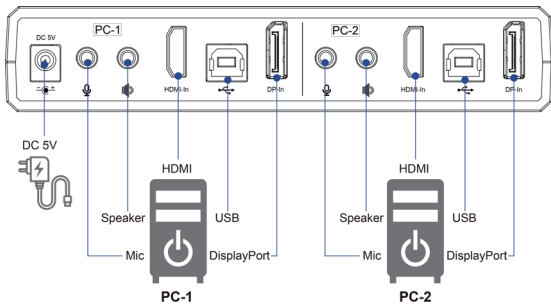
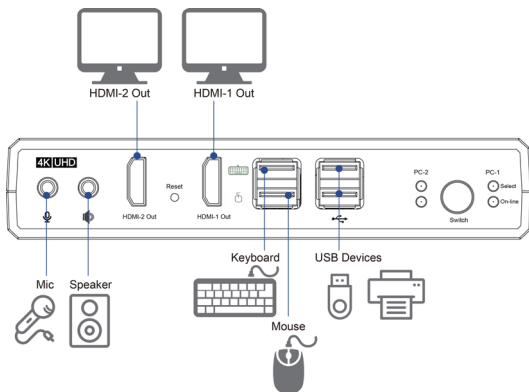
1. Microphone port at console
2. Speaker/Earphone port at console
3. HDMI output 2 at console
4. Reset: Press to reset system to default
5. HDMI output 1 at console
6. USB keyboard & mouse ports at console  
(Please connect keyboard & mouse here)
7. USB hub ports at console for peripherals
8. Light to indicate that the PC2 accessing
9. Light to indicate that the PC2 connected
10. Switch button: Press once to switch the console port connection between the two connected PC/server cyclically
11. Light to indicate that the PC1 connected
12. Light to indicate that the PC1 accessing

## Rear Panel



1. Power Jack: DC 5V/2A
2. Microphone port for PC-1
3. Speaker/Earphone port for PC-1
4. HDMI input for PC-1
5. USB port for PC-1
6. DP input for PC-1
7. Microphone port for PC-2
8. Speaker/Earphone port for PC-2
9. HDMI input for PC-2
10. USB port for PC-2
11. DP input for PC-2

# Application



## Hotkey

- Hotkey is executed using only the keyboard.
- The following describes the Hotkey functionality availability.
- Hotkey Execution Procedure:
  1. “Scroll Lock” and “Ctrl” are available simultaneously.
  2. Press [Scroll Lock] key twice continuously to enter “Hotkey” mode.
  3. While being in “Hotkey” mode, “Scroll Lock” LED of the keyboard flashes continuously or “Ctrl” instead if “Scroll Lock” non-built.
  4. When entering or exiting from “Hotkey” mode, buzzer of the KVM switch sounds with beep.
  5. Pressing [Scroll Lock] key twice continuously MUST be completed within 5 seconds.
  6. Keying hotkey command MUST be completed with 10 seconds, or it will be aborted if exceeding.
  7. KVM switch will remain hotkey setting values when it restarts.

## Hotkey Command

#	Hotkey Command	Description
1	[Scroll Lock] [Scroll Lock] [Enter] Or [Ctrl] [Ctrl] [Enter]	PC port cyclic switching PC-1 ↔ PC-2
2	[Scroll Lock] [Scroll Lock] [B] [Number] Or [Ctrl] [Ctrl] [B] [Number]	Buzzer switch on/off Number : 0 / 1 0 : Disable 1 : Enable (Default is 1)
3	[Scroll Lock] [Scroll Lock] [S] Or [Ctrl] [Ctrl] [S]	Auto-Scan enabling - How to stop Auto-Scan when it's on : 1. Press any key of the keyboard 2. Press once the push button - When Auto-Scan stops, PC port is switched to the one being scanned.
4	[Scroll Lock] [Scroll Lock] [I] [Number] [Enter] Or [Ctrl] [Ctrl] [I] [Number] [Enter]	Auto-Scan time interval setting Number : 5~99 (Default : 8)

**Dear Valued Customer**

**WE REALLY  
APPRECIATE  
YOUR PURCHASE**

***~thank you~***

**Support**

For more info or tech support

**<http://www.siig.com/support>**

Aug, 2020 Copyright © 2020 by SIIG, Inc. All rights reserved.