



Quick Installation Guide

Belkin Secure Modular KVM/KM Switch VESA Mounting Bracket Guide

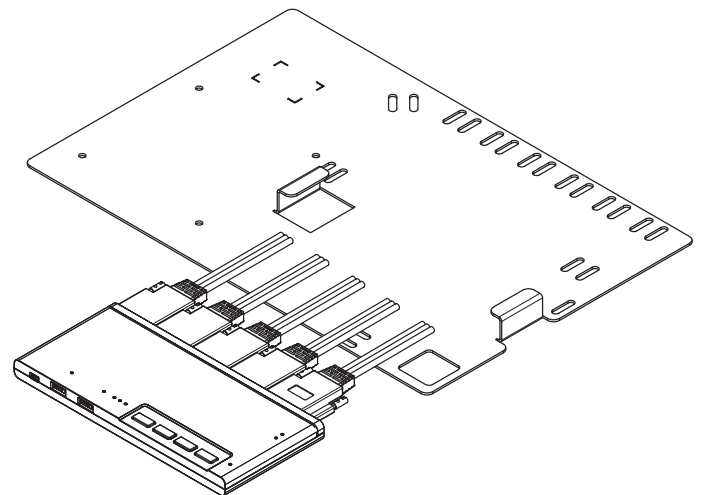
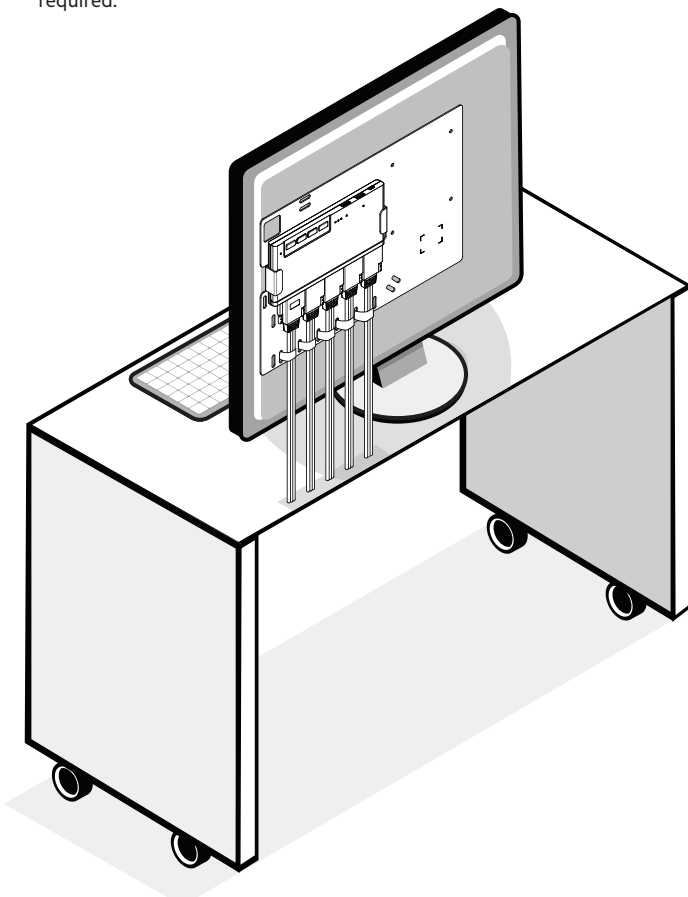
The Belkin Secure Modular KVM/KM Switch VESA Mounting Bracket is designed for quick deployment and attaches to the KVM/KM via tension to two 90 degree brackets. There are no screws required to fasten the KVM/KM to the bracket. The unit can be secured to a VESA 100mm x 100mm mounting location using the included cable ties around each or several host and console cables. In addition, each cable that attaches to the KVM/KM comes with Velcro tie wraps that can be used to secure the unit to the mount and signify the enclave connected by color. See illustrations for full details.

Included Contents:

- VESA Mounting Bracket
- Screw - M4x14mm PH Phillips DW SEMS SS Qty 6
- Cable Tie - 3.2x140mm Nylon Black Qty 8
- 1 QIG (Quick Installation Guide)

Pre-Installation Guidelines

- Determine where you will be mounting the bracket and the orientation of the bracket to the back of the user monitor (see below). NOTE- should the monitor to be used does not have an exposed 100mm x 100mm VESA pattern and nut inserts, the F1DN-MOD-VMOUNT will require a 3rd party adapter and monitor stand. Contact your system administrator for details on how to achieve the adapter and stand. If the monitor does have an exposed 100mm x 100mm VESA pattern, continue on with the installation instructions.
- Ensure the bracket will be installed on a flat, clean, and dry surface on the monitor. This bracket is not intended for **exposed outdoor installation**.
- Ensure that maximum distance between the KVM/KM bracket and each computer does not exceed your **cabling lengths**.
- Ensure that the keyboard, mouse, and display cables will reach the mounted KVM/KM.
- Ensure that the KVM/KM included remote control buttons are easily visible and accessible by the intended user.
- Ensure that the included screws are adequate size and type for the designated installation. In some cases with an adapter and stand, 3rd party hardware may be required.





Installation

1. Determine the location for the mount to be located on the back of the monitor.
2. Slide the unit with Power Connector and Host/Console cables into the mount with the cables facing the tie wrap slots.
3. Ensure that maximum distance between the KVM/KM bracket and each computer does not exceed your **cabling lengths**.
4. The unit can be secured using the included cable ties around each or several host and console cables. In addition, using tie wraps provided with the cables, secure each cable to the mount (multiple colors are included to allow for an easy recognition of the enclave connected). Ensure that the KVM/KM included remote control buttons are easily visible and accessible by the intended user.
5. Screw the bracket to the monitor VESA pattern (100mm x 100mm) using 4 of the screws provided. Or use other non-provided hardware as required with an adaptor and stand.
6. Attach the Keyboard, Mouse, and included Remote Control to the KVM/KM unit.
7. Once installed, follow the power up instructions provide with the KVM/KM unit as required.

